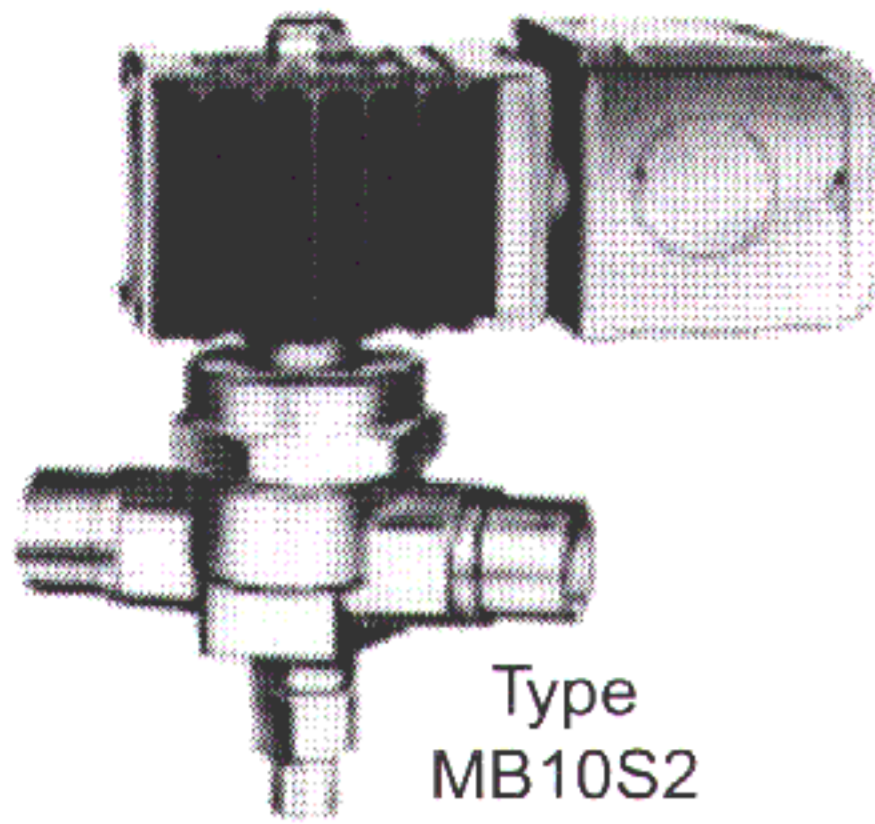
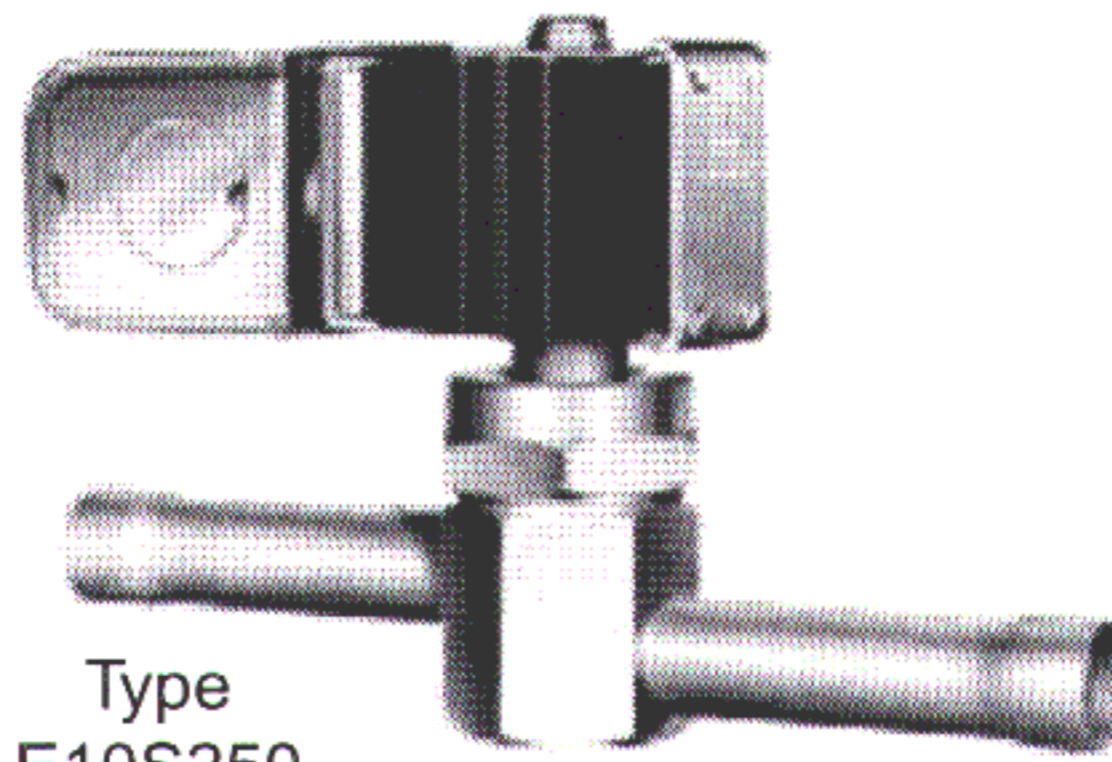


for Refrigerants 12-22-134a-502 ■ **TYPES B10 and E10 Series** ■

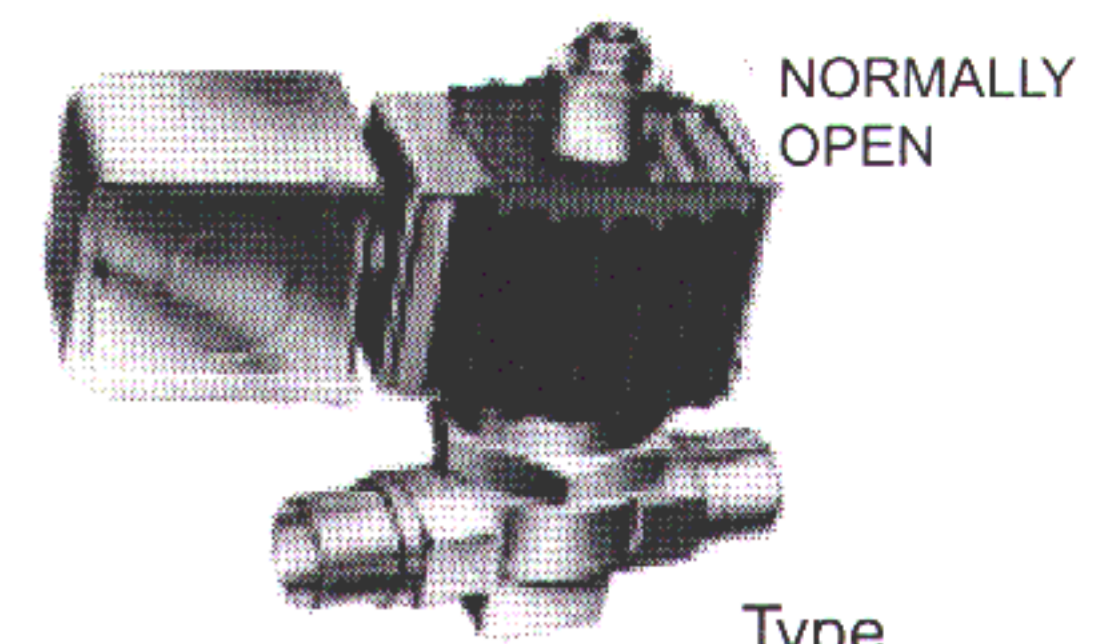


NORMALLY CLOSED

Type MB10S2



Type E10S250



NORMALLY OPEN

Type OB10S2

SPECIFICATIONS MKC-2 and OMKC-2 COIL															
VALVE SERIES	TYPE	STANDARD CONNECTIONS Inches	PORT SIZE Inches	NOMINAL LIQUID CAPACITIES Tons of Refrigeration								STANDARD COIL RATINGS			
				REFRIGERANTS											
				MOPD psi		12		22		134a		502			
				AC	DC	Pressure Drop psi								VOLTS/CYCLES	WATTS
<b>B10</b>	B10S2	5/8 ODF - 3/4 ODM	5/16	300	250	7.0	8.5	11.1	12.8	8.5	10.4	7.2	8.2	24/50-60 120/50-60 208-240/50-60 120-208-240/50-60	15
	MB10S2														
	OB10S2														
	B10F2	1/2 SAE Flare		300	250										
	MB10F2														
	OB10F2														
<b>E10</b>	E10S240	1/2 ODF X 1/2 ODF	5/16	300	250	7.0	8.5	11.1	12.8	8.5	10.4	7.2	8.2	24/50-60 120/50-60 208-240/50-60 120-208-240/50-60	15
	ME10S240														
	OE10S240														
	E10S250	5/8 ODF X 5/8 ODF		300	250										
	ME10S250														
	OE10S250														

Safe working pressure 500 psi. Dual voltage 4-wire coils, 120-208-240/50-60 are available at slight additional cost. For other voltages and cycles, consult SPORLAN VALVE COMPANY, Washington, MO 63090. See Pages 26 & 27 for water and steam valves. For capacity at other pressure drops, see Page 4.

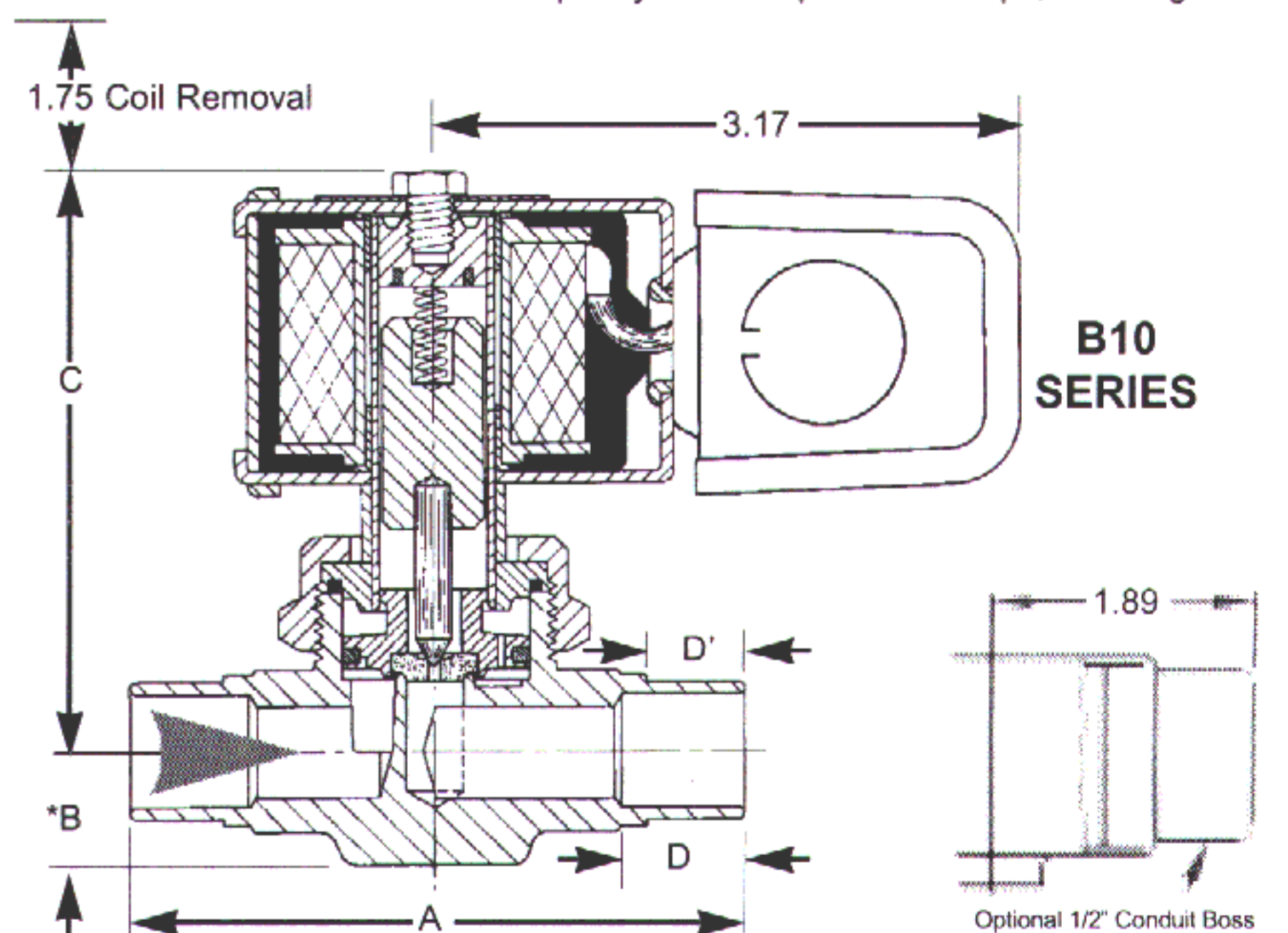
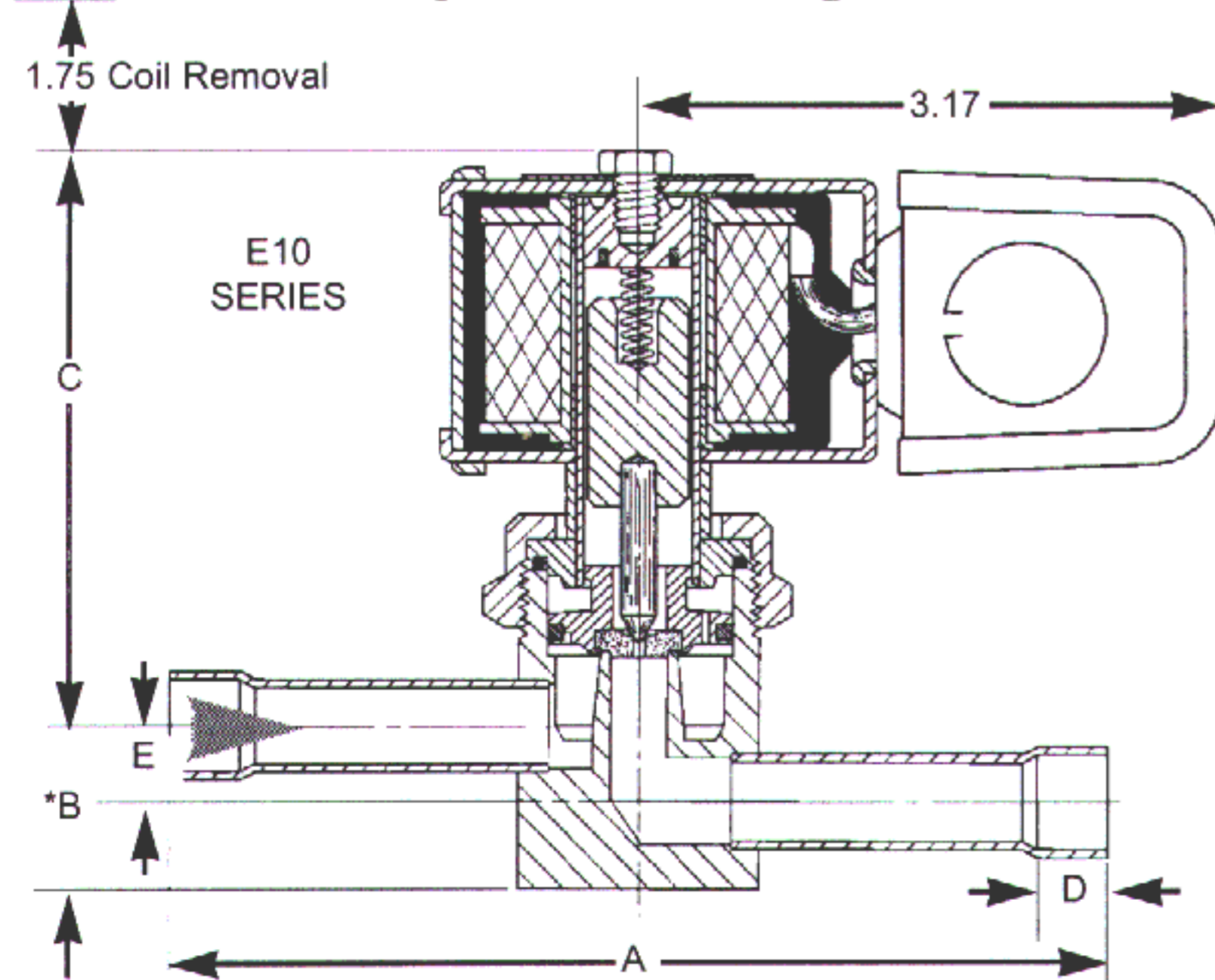
Available with conduit boss or junction box at no extra charge.

- For capacity at other pressure drops, see Page 4.
- For mounting holes and or bracket information see Bulletin 30-11.

**APPLICATION — Types B10 and E10 Series** are compact solenoid valves with pilot operated disc construction for refrigeration and air conditioning. These valves **may be mounted horizontal, on side, or in a vertical line.** They are suitable for suction line service because very low pressure differential is required for full opening.

The **Type E10** series solenoid valves feature extended solder type connections as standard. One important benefit to the user is that all valves in the "E10" series can be installed without disassembly using either low or no silver content brazing alloy.

The MKC-2 and OMCKC-2 coil is Class "F" temperature rated and is provided as standard, therefore a high temperature coil is not required for discharge service.



**DIMENSIONS — Inches**

Valve Series	Type	A	*B	C		D	D'	E
				Norm. Closed	Norm. Open			
				Fitting Depth		Offset		
ODF	ODM							
B10	B10S2	3.25	0.59	3.15	3.44	0.62	0.50	—
	B10F2							
E10	E10S240	5.00	0.88	3.13	3.42	0.38	—	0.37
	E10S250	6.50				0.50		

\* Add 1.12" for Valves with Manual Lift Stem

■ **ORDERING INSTRUCTIONS** ■

When ordering complete valves, specify Valve Type, Connections, Voltage and Cycles.

When ordering Body Assembly, specify Valve Type and Connections.

When ordering Coil Assembly ONLY, specify Coil Type, Voltage and Cycles. **Example: MKC-2 120/50-60; OMKC-2 120/50-60.**

Use a *Caltech All* Filter-Drier ahead of every solenoid valve

# VALVULAS SOLENOIDE SPORLAN

## REFRIGERANTES 12-22-134a-502-717

### CARACTERISTICAS (Continuación)

#### **PRESIONES MAXIMAS DE TRABAJO**

Válvulas tipo Serie MA32, MA42 y MA50;

Series MA5A3 y MA17A3 – **20.6 bar**

Válvulas tipo Serie E34 y E42 – **31.0 bar**

Otros tipos de válvulas – **34.4 bar**

**ESPECIFICACIONES ELECTRICAS – Bobinas Standard** – MKC-1, OMKC-1, MKC-2 y OMKC-2: 24/50-60, 120/50-60, 208-240/50-60. Bobinas de Voltaje Dual con 4 alambres - 120-208-240/50-60. KC-3: 24/50-60, 120/50-60, 208/50-60, 240/50-60. Bobinas de Voltaje Dual con 4 alambres - 120-240/50-60.

Disponibles con caja de conexiones ó tubo conduit. Para otros voltajes o ciclos consulte su oficina Acal ó distribuidor Sporlan más cercano.

**INTERCAMBIABILIDAD DE LAS BOBINAS** – MKC-1 para los Tipo Serie A3, E3, B6 y MB6, E5, E6, y ME6, MKC-2 para Tipos Serie B9, MB9, E9 y MB9, E9 y ME9 para B33, MB33, E34, ME34, E42 y ME42 para KC-3, MA32, MA42, MA50, MA17A3.

**INSTRUCCIONES PARA ORDENAR** – *Asegúrese de especificar : Tipo de Válvula, Conexiones, Voltaje y Ciclos.*

**Use un filtro de malla Sporlan antes de cada válvula solenoide industrial**

Para mayor información refriérase al Boletín 30-10.