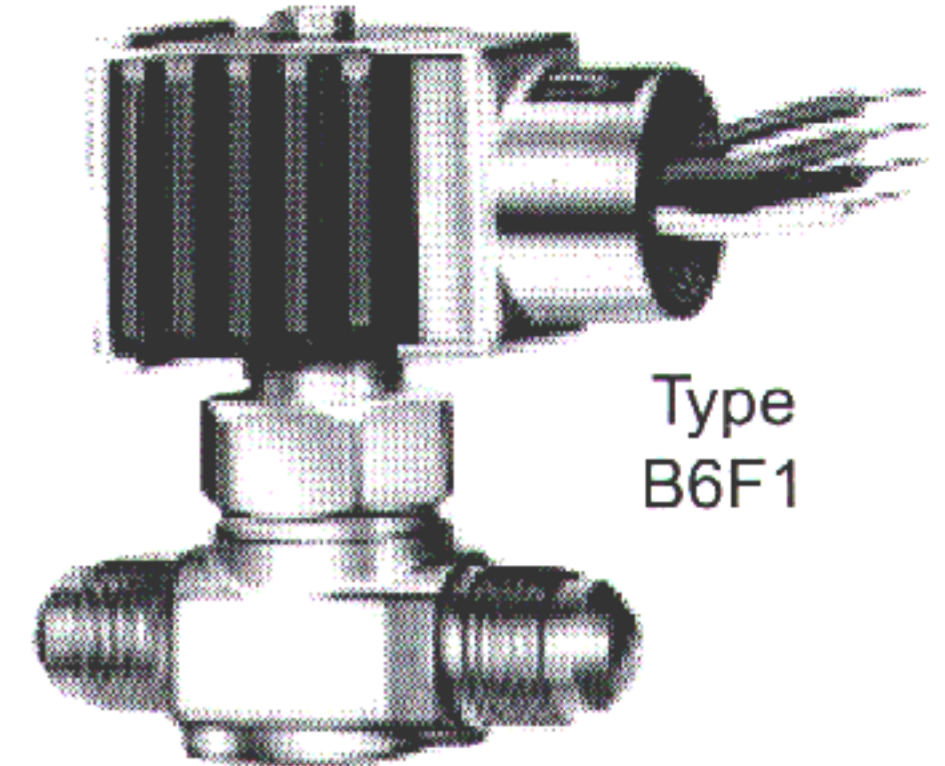
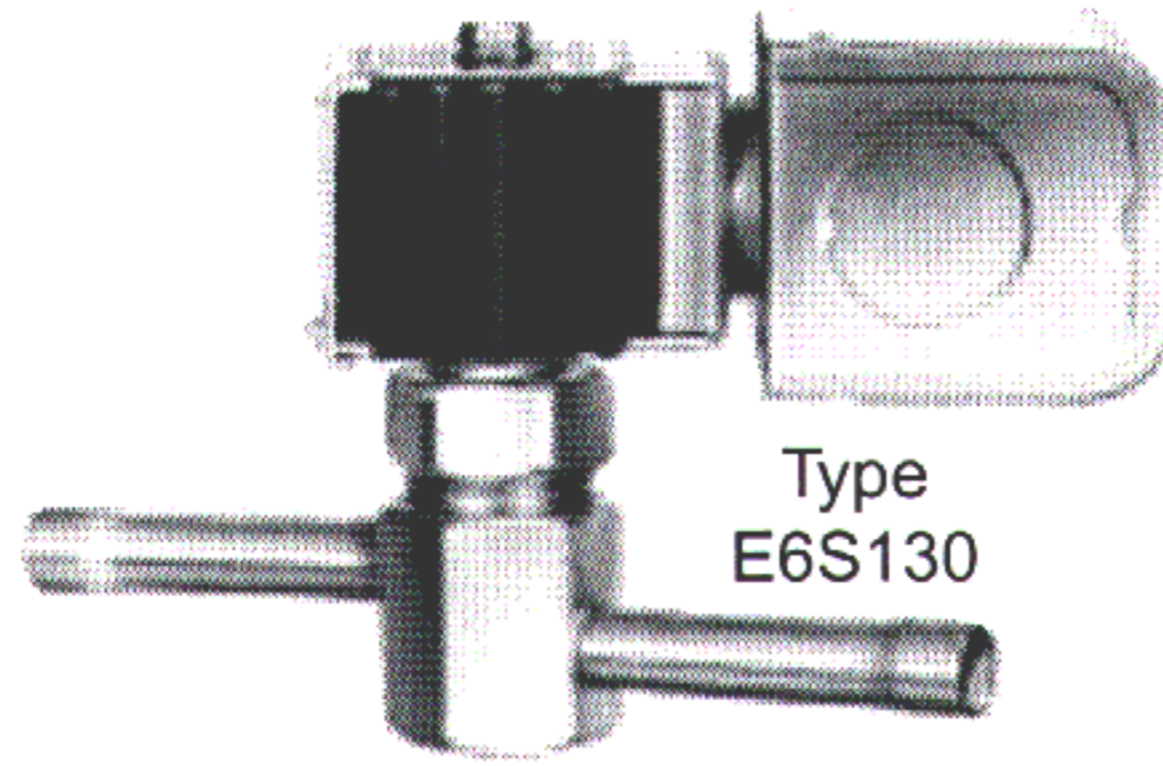
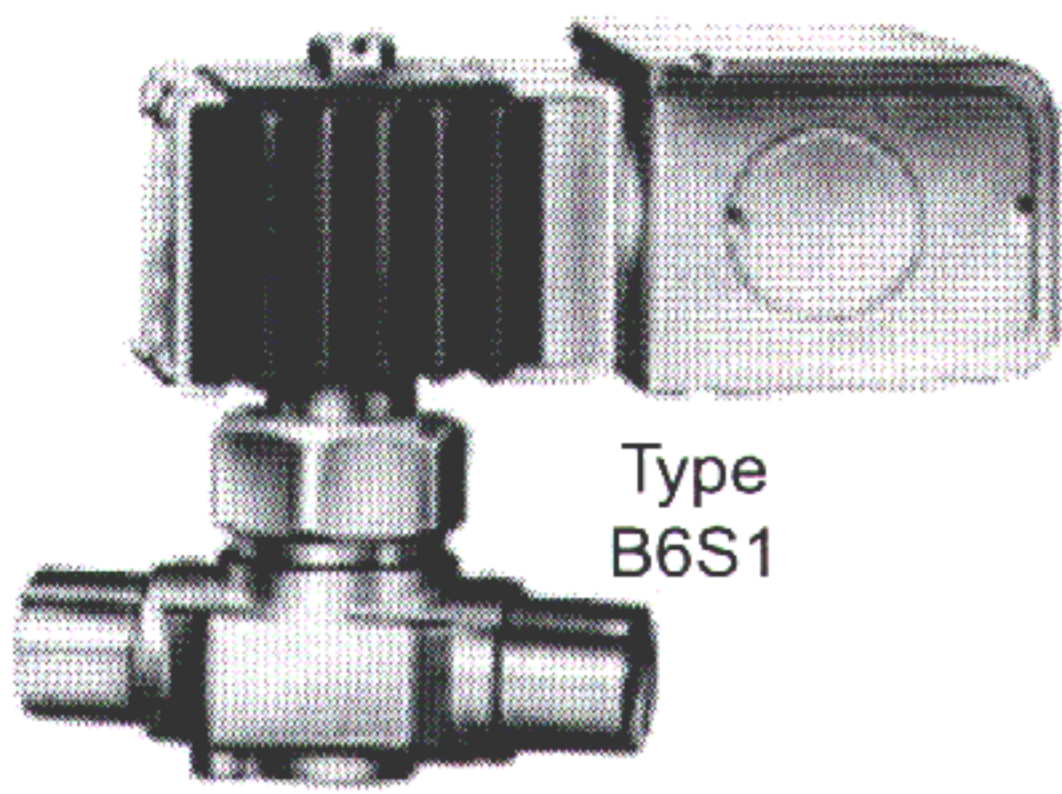


for Refrigerants 12-22-134a-502 ■ **TYPES B6 and E6 Series** ■



SPECIFICATIONS MKC-1 COIL															
VALVE SERIES	TYPE	CONNECTIONS Inches Sizes shown in BLUE will be furnished unless otherwise specified	PORT SIZE	MOPD psi		NOMINAL LIQUID CAPACITIES Tons of Refrigeration								STANDARD COIL RATINGS	
						REFRIGERANTS									
						12		22		134a		502			
						Pressure Drop psi									
				AC	DC	2	3	3	4	2	3	3	4	VOLTS/CYCLES	WATTS
B6	B6P1	3/8 NTP Female	3/16	300	175	3.1	3.8	4.9	5.7	3.8	4.6	3.2	3.7	24/50-60 120/50-60 208-240/50-60 120-208-240/50-60	10
	MB6P1														
	B6S1	3/8 ODF - 1/2 ODM & 1/2 ODF - 5/8 ODM													
	MB6S1														
	B6F1	3/8 SAE Flare													
	MB6F1														
E6	E6S130	3/8 ODF x 3/8 ODF	3/16	300	175	3.1	3.8	4.9	5.7	3.8	4.6	3.2	3.7	24/50-60 120/50-60 208-240/50-60 120-208-240/50-60	10
	ME6S130														
	E6S140	1/2 ODF x 1/2 ODF													
	ME6S140														

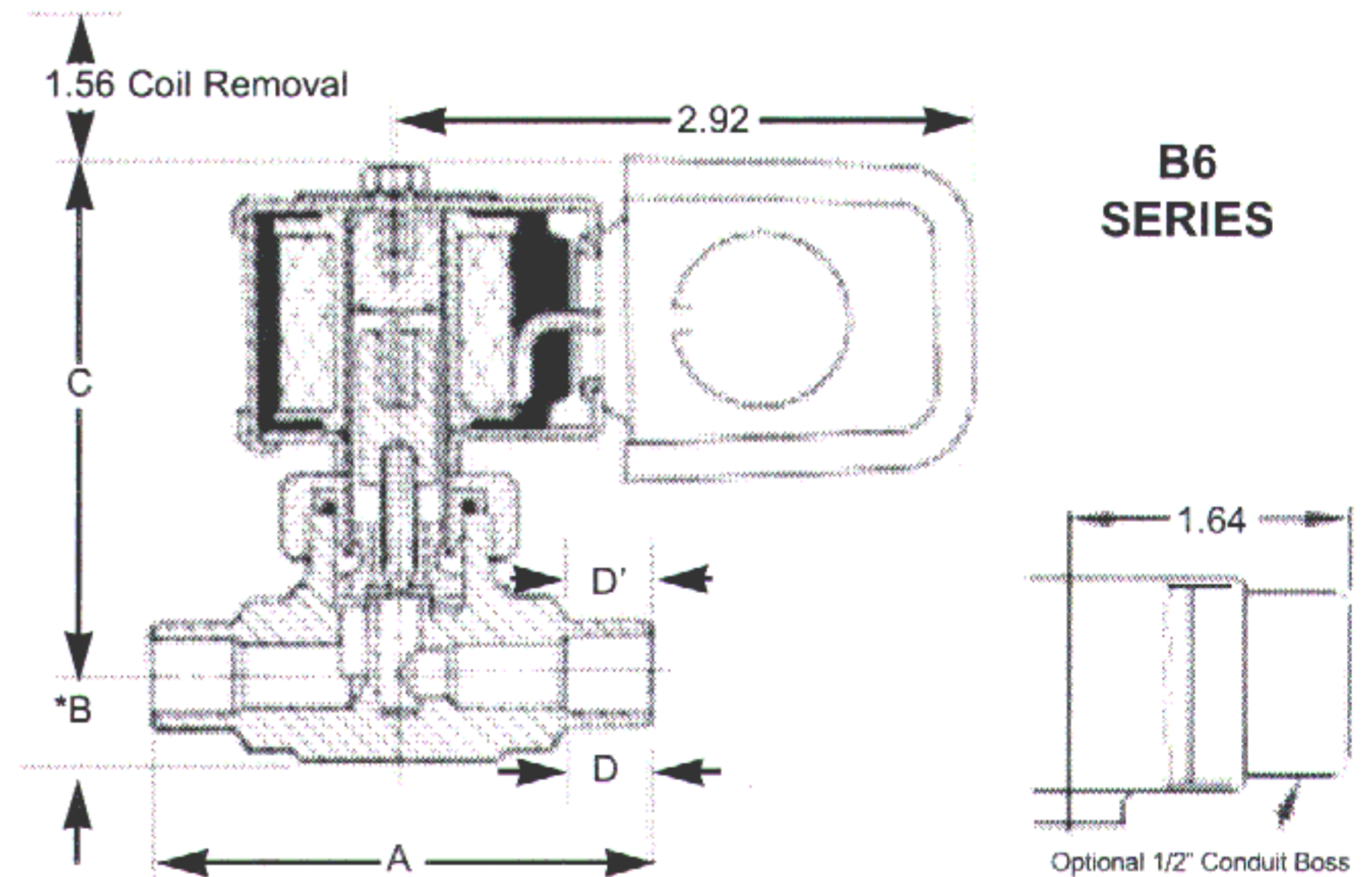
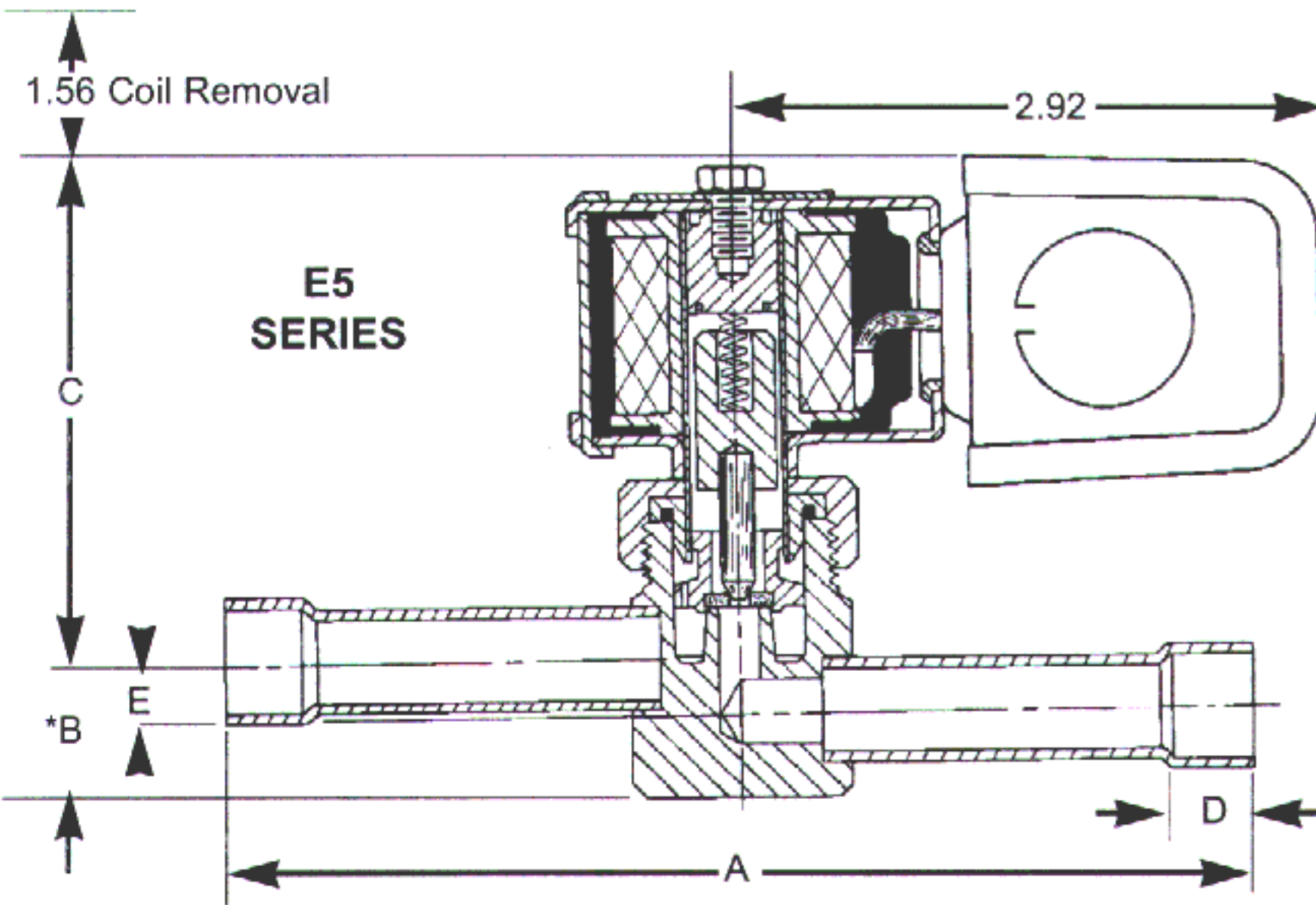
Safe working pressure 500 psi. Dual voltage 4-wire coils, 120-208-240/50-60 are available at slight additional cost. For other voltages and cycles, consult SPORLAN VALVE COMPANY, Washington, MO 63090. See Pages 26 & 27 for water and steam valves. For capacity at other pressure drops, see Page 4.

APPLICATION — Types B6 and E6 Series are compact solenoid valves with pilot operated disc construction for refrigeration and air conditioning. These valves may be mounted horizontal, on side, or in a vertical line. They are suitable for suction line service because very low pressure differential is required for full opening.

The Type E6 series solenoid valves feature extended solder type connections as standard. One important benefit to the user is that all valves in the "E6" series can be installed without disassembly using either low or no silver content brazing alloy.

The MKC-1 coil is Class "F" temperature rated and is provided as standard, therefore a high temperature coil is not required for discharge service.

- Available with conduit boss or junction box at no extra charge.
- For mounting holes and/or bracket information see Bulletin 30-11.
- E6 series with mounting holes are NOT standard.



DIMENSIONS — Inches

Valve Series	Type	A	*B	C	D		E
					Fitting Depth		
					ODF	ODM	
B6	B6P1	1.94	0.44	2.66	—	—	—
	B6S1	3/8 ODF			0.44	0.44	—
		1/2 ODF			0.50	0.50	—
	B6F1	—			—	—	—
E6	E6S130	4.63	0.75	2.44	0.31	—	0.31
	E6S140	5.00			0.38	—	—

* Add 1.12" for Valves with Manual Lift Stem

■ **ORDERING INSTRUCTIONS** ■

When ordering complete valves, specify Valve Type, Connections, Voltage and Cycles.
 When ordering Body Assembly, specify Valve Type and Connections.
 When ordering Coil Assembly ONLY, specify Coil Type, Voltage and Cycles. **Example: MKC-1 120/50-60.**

Use a *Catch-All* Filter-Drier ahead of every solenoid valve

VALVULAS SOLENOIDE SPORLAN

REFRIGERANTES 12-22-134a-502-717

CARACTERISTICAS (Continuación)

PRESIONES MAXIMAS DE TRABAJO

Válvulas tipo Serie MA32, MA42 y MA50;

Series MA5A3 y MA17A3 – **20.6 bar**

Válvulas tipo Serie E34 y E42 – **31.0 bar**

Otros tipos de válvulas – **34.4 bar**

ESPECIFICACIONES ELECTRICAS – Bobinas Standard – MKC-1, OMKC-1, MKC-2 y OMKC-2: 24/50-60, 120/50-60, 208-240/50-60. Bobinas de Voltaje Dual con 4 alambres - 120-208-240/50-60. KC-3: 24/50-60, 120/50-60, 208/50-60, 240/50-60. Bobinas de Voltaje Dual con 4 alambres - 120-240/50-60.

Disponibles con caja de conexiones ó tubo conduit. Para otros voltajes o ciclos consulte su oficina Acal ó distribuidor Sporlan más cercano.

INTERCAMBIABILIDAD DE LAS BOBINAS – MKC-1 para los Tipo Serie A3, E3, B6 y MB6, E5, E6, y ME6, MKC-2 para Tipos Serie B9, MB9, E9 y MB9, E9 y ME9 para B33, MB33, E34, ME34, E42 y ME42 para KC-3, MA32, MA42, MA50, MA17A3.

INSTRUCCIONES PARA ORDENAR – *Asegúrese de especificar : Tipo de Válvula, Conexiones, Voltaje y Ciclos.*

Use un filtro de malla Sporlan antes de cada válvula solenoide industrial

Para mayor información refriérase al Boletín 30-10.