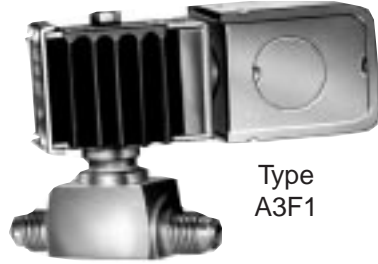
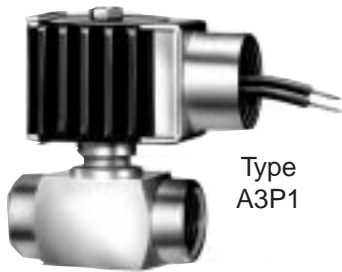


■ TYPE A3, E3 and E5 Series ■ for Refrigerants 12-22-134a-502



SPECIFICATIONS MKC-1 COIL

VALVE SERIES	TYPE	CONNECTIONS Inches Sizes shown in BLUE will be furnished unless otherwise specified	PORT SIZE Inches	MOPD psi		NOMINAL LIQUID CAPACITIES Tons of Refrigeration								STANDARD COIL RATINGS	
						REFRIGERANTS									
						12		22		134a		502			
						Pressure Drop psi									
				AC	DC	2	3	3	4	2	3	3	4	VOLTS/CYCLES	WATTS
A3	A3P1	3/8 NTP Female	.101	300	175	1.0	1.2	1.6	1.9	1.2	1.5	1.0	1.2	24/50-60 120/50-60 208-240/50-60 120-208-240/50-60	10
	A3S1	1/4 ODF - 3/8 ODM & 3/8 ODF - 1/2 ODM													
	A3F1	1/4 SAE Flare													
E3	E3S120	1/4 ODF X 1/4 ODF	.150	300	175	1.8	2.2	2.8	3.3	2.1	2.6	1.9	2.1		
	E3S130	3/8 ODF X 3/8 ODF													
E5	E5S120	1/4 ODF X 1/4 ODF	.150	300	175	1.8	2.2	2.8	3.3	2.1	2.6	1.9	2.1		
	E5S130	3/8 ODF X 3/8 ODF													

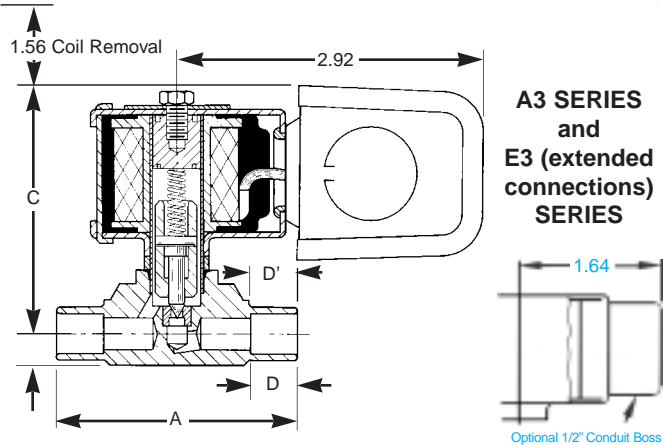
Safe working pressure 500 psi. Dual voltage 4-wire coils, 120-208-240/50-60 are available at slight additional cost. For other voltages and cycles, consult SPORLAN VALVE COMPANY, Washington, Mo. 63090. See Pages 26 & 27 for water and steam valves. Available with conduit boss or junction box at no extra charge. For capacity at other pressure drops, see Page 4. For mounting holes and/or bracket information see Bulletin 30-11. E3 and E5 series with mounting holes are NOT standard.

APPLICATION - Types A3 and E3 series are hermetic, direct-acting type solenoid valves primarily for refrigeration and air conditioning applications. The flow rate of the E3 and A3 are identical, therefore, the E3 may be freely substituted for the A3. The A3 series dated 6-86 or before **must be mounted in a horizontal line with the coil at the top.**

The **E5 series** are compact solenoid valves with pilot operated disc construction and are rated at 1.8 tons R-12 at 2 psi Ap vs. 1.0 for the A3S1. On applications where the "AT" port is not the metering device the E5 may be used. The A3 series (dated 7-86 or later), the E3 and E5 series **may be mounted horizontal, on side, or in a vertical line.**

The **Types E3 and E5 series** solenoid valves feature extended solder type connections as standard. One important benefit to the user is that all valves in the "ET" and "E5" series can be installed using either low or no silver content brazing alloy.

The MKC-1 coil is Class "F" temperature rated and is provided as standard, therefore a high temperature coil is not required for discharge service.

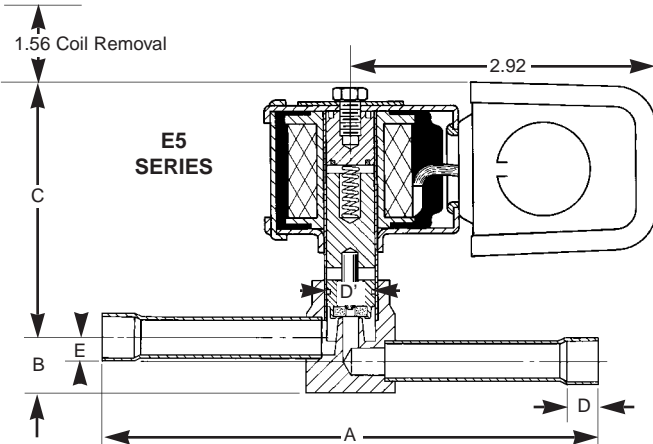


DIMENSIONS — Inches

Valve Series	Type	A	B	C	D	D'	E	
					Fitting Depth			Offset
					ODF	ODM		
A3	A3P1	1.88	0.44	2.20	—		—	
	A3S1	1/4 ODF	2.065	0.28	2.36	0.44		
		3/8 ODF	2.250					
	A3F1	2.38	0.22	2.42	—			
E3	E3S120	4.63	0.52	2.04	0.31	—	0.25	
	E3S130	4.56	0.46	2.10			0.16	
E5	E5S120	4.63	0.53	2.29	0.31	—	0.22	
	E5S130	4.56						

■ ORDERING INSTRUCTIONS ■

When ordering complete valves, specify Valve Type, Connections, Voltage and Cycles. When ordering Body Assembly, specify Valve Type and Connections. When ordering Coil Assembly ONLY, specify Coil Type, Voltage and Cycles. **Example: MKC-11 120/50-60.**



VALVULAS SOLENOIDE SPORLAN

REFRIGERANTES 12-22-134a-502-717

CARACTERISTICAS (Continuación)

PRESIONES MAXIMAS DE TRABAJO

Válvulas tipo Serie MA32, MA42 y MA50;

Series MA5A3 y MA17A3 – **20.6 bar**

Válvulas tipo Serie E34 y E42 – **31.0 bar**

Otros tipos de válvulas – **34.4 bar**

ESPECIFICACIONES ELECTRICAS – Bobinas Standard – MKC-1,

OMKC-1, MKC-2 y OMKC-2: 24/50-60, 120/50-60, 208-240/50-60.

Bobinas de Voltaje Dual con 4 alambres - 120-208-240/50-60.

KC-3: 24/50-60, 120/50-60, 208/50-60, 240/50-60. Bobinas de

Voltaje Dual con 4 alambres - 120-240/50-60.

Disponibles con caja de conexiones ó tubo conduit. Para otros voltajes o ciclos consulte su oficina Acal ó distribuidor Sporlan más cercano.

INTERCAMBIABILIDAD DE LAS BOBINAS – MKC-1 para los Tipo Serie A3, E3, B6 y MB6, E5, E6, y ME6, MKC-2 para Tipos Serie B9, MB9, E9 y MB9, E9 y ME9 para B33, MB33, E34, ME34, E42 y ME42 para KC-3, MA32, MA42, MA50, MA17A3.

INSTRUCCIONES PARA ORDENAR – *Asegúrese de especificar : Tipo de Válvula, Conexiones, Voltaje y Ciclos.*

Use un filtro de malla Sporlan antes de cada válvula solenoide industrial

Para mayor información refriérase al Boletín 30-10.