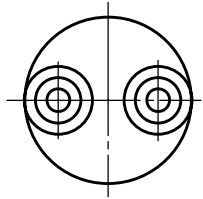


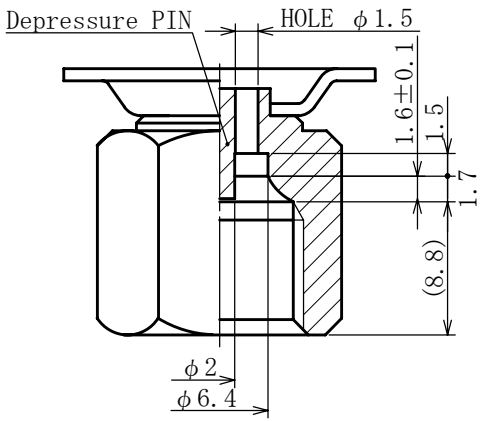
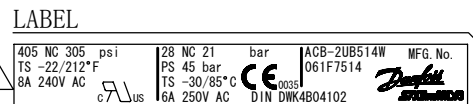
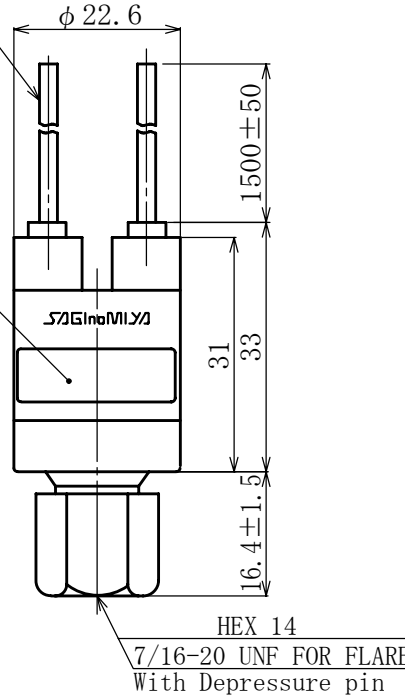
960635 Pres.encap.DANFOSS ACB2UB514W-405/305PSI

Codigo	Tipo	Descripcion	Aplicación	OFF [PSI]	ON [PSI]	OFF [BAR]	ON [BAR]	Reposicion	Conexión
O61F7514	ACB	ACB-2UB514W	HP	405 ± 14	305 ± 21	28 ± 1.0	21 ± 1.5	Automatica	1/4" Flare H

OPERATING PRESS. SETTING	UNIT: bar (psi)		DIFFERENTIAL
	OFF	ON	
	28 ± 1.0 {405 ± 14}	21 ± 1.5 {305 ± 21}	—
ELECTRICAL RATINGS	RATED VOLTAGE (V)		A C
	RATED AMPS. (A)		250
	INDUCTIVE AMPS.		1~6



HEAT PROOF ELECTRIC VINYL WIRE
UL1015, AWG18, 105°C (BLACK)



(2:1)

TYPE OF CONTACT	SINGLE POLE SINGLE THROW PRESS. RISING
CONTACT RESISTANCE	LESS THAN 200 m OHM
INSULATION RESISTANCE	NOT LESS THAN 100 M OHM AT DC 500V MEGGER
DIELECTRIC STRENGTH	WITHSTAND 1500V AC FOR ONE MINUTE
MAX. PRESSURE	45 bar {650 psi}
AIR TIGHT PRESS.	45 bar {650 psi}
TEST PRESS.	50 bar {725 psi}
MAX. ALLOW. TEMP.	AMBIENT TEMP. -30 ~ 85deg. (But no freeze) FLUID TEMP. -54 ~ 135deg.
DURABILITY	100,000 TIMES
TÜV APPROVED	EN 12263 DIN 32733 (DWK 4B 04102)
UL FILE NO.	E43867, E31024
C-UL FILE NO.	File E31024, Vol.3, Secs. 2, 4 and 5 C-UL Application for ACB Type Pressure Switches Project Number 02SC07689

Checked by	Date	Name
	NOV. 20 2003	TYPE CB PRESSURE SWITCH
Designed by	Scale	Catalog Number
	1:1	ACB-2UB514W
		Drawing Number
		N-CB-95014-1
Drawn by	Code No. :061F 7514	

★CONFIRMATION OF DESIGN VALIDITY
We manufacture the product based on the specifications described in this drawing. Please check the safety and validity in the product design in consideration that the product is conformed to the system or not when using.



DATE	SIGN	CHANGE CONTENT
OCT 04, '04	1	REV. LABEL

