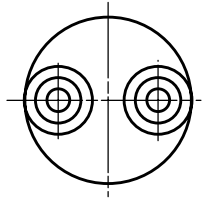
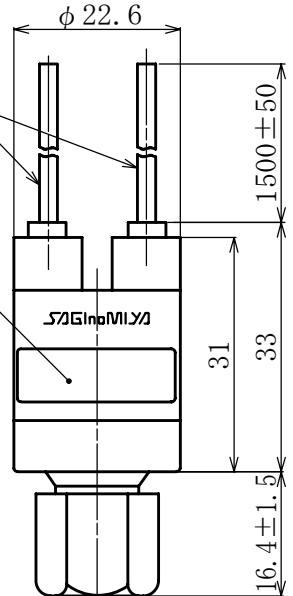


# 960634 Pres.encap.DANFOSS ACB2UB506W-260/190PSI

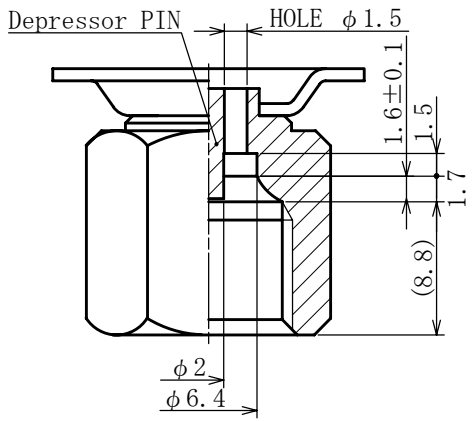
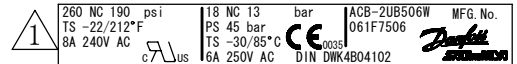
Codigo	Tipo	Descripcion	Aplicación	OFF [PSI]	ON [PSI]	OFF [BAR]	ON [BAR]	Reposicion	Conexión
O61F7506	ACB	ACB-2UB506W	HP	260 ± 10	190 ± 17	18 ± 0.7	13 ± 1.2	Automatica	1/4" Flare H



HEAT PROOF ELECTRIC VINYL WIRE  
UL1015, AWG18, 105°C (BLACK)



LABEL



(2:1)

OPERATING PRESS. SETTING	UNIT: bar (psi)		DIFFERENTIAL
	OFF	ON	
	18 ± 0.7 {260 ± 10}	13 ± 1.2 {190 ± 17}	—
ELECTRICAL RATINGS	RATED VOLTAGE (V)		A C
	RATED AMPS. (A)		250
	INDUCTIVE AMPS.		1~6
TYPE OF CONTACT	SINGLE POLE SINGLE THROW  PRESS. RISING		
CONTACT RESISTANCE	LESS THAN 200 mΩ		
INSULATION RESISTANCE	NOT LESS THAN 100 MΩ		
DIELECTRIC STRENGTH	WITHSTAND 1500V AC FOR ONE MINUTE		
MAX. PRESSURE	45 bar {650 psi}		
AIR TIGHT PRESS.	45 bar {650 psi}		
TEST PRESS.	50 bar {725 psi}		
MAX. ALLOW. TEMP.	AMBIENT TEMP. -30 ~ 85°C (But no freeze) FLUID TEMP. -54 ~ 135°C		
DURABILITY	100,000 TIMES		
TÜV APPROVED	EN 12263 DIN 32733 (DWK 4B 04102)		
UL FILE NO.	E43867, E31024		
C-UL FILE NO.	File E43867, Vol. 3, Secs. 2, 4 and 5 C-UL Application for ACB Type Pressure Switches Project Number 02SC07689		

Checked by	Date	Name
	JAN. 16 2004	TYPE CB PRESSURE SWITCH
Designed by	Scale	Catalog Number
	1:1	ACB-2UB506W
		Drawing Number
		N-CB-95006-1
Drawn by	Code No. :061F 7506	

★CONFIRMATION OF DESIGN VALIDITY  
We manufacture the product based on the specifications described in this drawing. Please check the safety and validity in the product design in consideration that the product is conformed to the system or not when using.



OCT 04, '04	1	REV. LABEL
DATE	SIGN	CHANGE CONTENT

