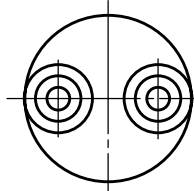
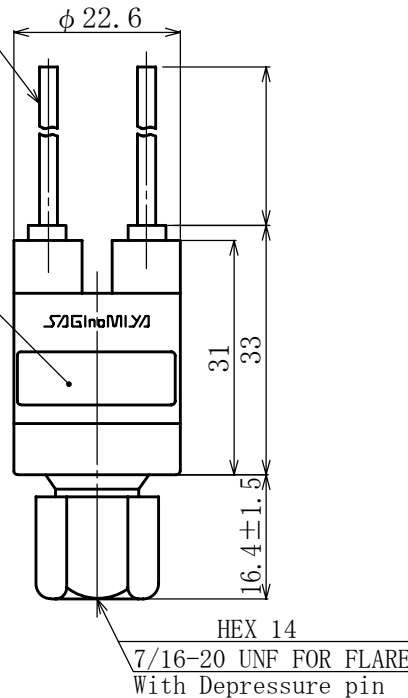


960633 Pres. encap. DANFOSS ACB2UA305W-190/230PSI

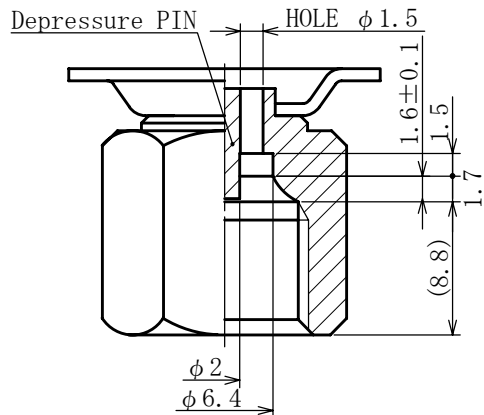
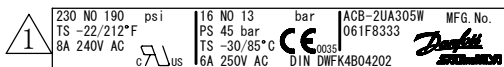
Codigo	Tipo	Descripcion	Aplicación	OFF [PSI]	ON [PSI]	OFF [BAR]	ON [BAR]	Reposicion	Conexión
O61F8333	ACB	ACB-2UA305W	HP	190 ± 21	230 ± 14	13 ± 1.5	16 ± 1.0	Automatica	1/4" Flare H



HEAT PROOF ELECTRIC VINYL WIRE



LABEL



(2:1)

★CONFIRMATION OF DESIGN VALIDITY

We manufacture the product based on the specifications described in this drawing. Please check the safety and validity in the product design in consideration that the product is conformed to the system or not when using.



OCT 04, '04	1	REV. LABEL
DATE	SIGN	CHANGE CONTENT

OPERATING PRESS. SETTING	UNIT: bar		DIFFERENTIAL
	OFF	ON	
	13 ± 1.5 {190 ± 21}	16 ± 1.0 {230 ± 14}	—
ELECTRICAL RATINGS	RATED VOLTAGE (V)		A C
	RATED AMPS. (A)		250
	INDUCTIVE AMPS.		1 ~ 6
TYPE OF CONTACT	SINGLE POLE SINGLE THROW PRESS. RISING		
CONTACT RESISTANCE	LESS THAN 200 mΩ		
INSULATION RESISTANCE	NOT LESS THAN 100 MΩ AT DC 500V MEGGER		
DIELECTRIC STRENGTH	WITHSTAND 1500V AC FOR ONE MINUTE		
MAX. PRESSURE	45 bar {650 psi}		
AIR TIGHT PRESS.	45 bar {650 psi}		
TEST PRESS.	50 bar {725 psi}		
MAX. ALLOW. TEMP.	AMBIENT TEMP. -30 ~ 85°C (But no freeze) FLUID TEMP. -54 ~ 135°C		
DURABILITY	200,000 TIMES		
TÜV APPROVED	EN 12263 DIN 32733 (DWFK 4B 04202)		
UL FILE NO.	E43867, E31024		
C-UL FILE NO.	File E43867, Vol. 3, Secs. 2, 4 and 5 C-UL Application for ACB Type Pressure Switches Project Number 02SC07689		

Checked by	Date	Name
	MAR 16 2004	TYPE CB PRESSURE SWITCH
Designed by	Scale	Catalog Number
	1:1	ACB-2UA305W
		Drawing Number
		N-CB-21637-1
Drawn by	Code No. :061F 8333	

