

LG

TOTAL HVAC SOLUTION PROVIDER

ENGINEERING PRODUCT DATA BOOK

MULTI V TM **IV**

Heat Recovery 380V+380-415V

R410A(50Hz/60Hz)

0CVY0-01H(Replaces 0CVY0-01G)



General Information

- 1. Model Names**
- 2. External Appearance**
- 3. Combination of Outdoor Units**
- 4. Nomenclature**
- 5. Indoor Unit and Outdoor Unit Capacity Index**
- 6. Outdoor Unit Function**

1. Model Names

1.1 Outdoor Unit

Power Supply	8HP	10HP	12HP	14HP	16HP	18HP	20HP	22HP	24HP
3Ø, 380-415V, 50Hz 3Ø, 380V, 60Hz	080LTE4	100LTE4	120LTE4	140LTE4	160LTE4	180LTE4	200LTE4	220LTE4	240LTE4

Power Supply	26HP	28HP	30HP	32HP	34HP	36HP	38HP	40HP	42HP
3Ø, 380-415V, 50Hz 3Ø, 380V, 60Hz	260LTE4	280LTE4	300LTE4	320LTE4	340LTE4	360LTE4	380LTE4	400LTE4	420LTE4

Power Supply	44HP	46HP	48HP	50HP	52HP	54HP	56HP	58HP	60HP
3Ø, 380-415V, 50Hz 3Ø, 380V, 60Hz	440LTE4	460LTE4	480LTE4	500LTE4	520LTE4	540LTE4	560LTE4	580LTE4	600LTE4

Power Supply	62HP	64HP	66HP	68HP	70HP	72HP	74HP	76HP	78HP	80HP
3Ø, 380-415V, 50Hz 3Ø, 380V, 60Hz	620LTE4	640LTE4	660LTE4	680LTE4	700LTE4	720LTE4	740LTE4	760LTE4	780LTE4	800LTE4









Heat Recovery	ARUB
---------------	------

1.2 HR Unit

Power supply	2 Branches	2 Branches	4 Branches
1Ø, 220-240V, 50/60 Hz	PRHR021 PRHR022	PRHR031 PRHR032	PRHR041 PRHR042

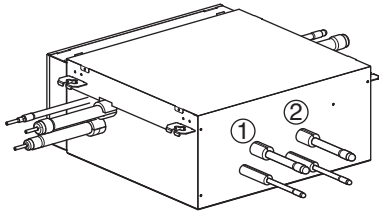
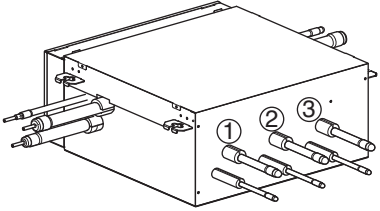
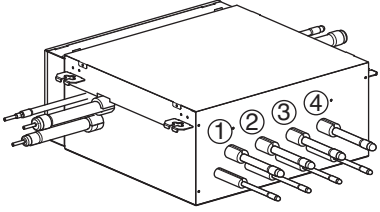
2. External Appearance

2.1 Outdoor Unit

Chassis	Model Name	Model
UX2	ARUB080LTE4 ARUB100LTE4 ARUB120LTE4	
UX3	ARUB140LTE4 ARUB160LTE4 ARUB180LTE4 ARUB200LTE4	
UX2 UX2	ARUB220LTE4 ARUB240LTE4	
UX3 UX2	ARUB260LTE4 ARUB280LTE4 ARUB300LTE4 ARUB320LTE4	
UX3 UX3	ARUB340LTE4 ARUB360LTE4 ARUB380LTE4 ARUB400LTE4	
UX3 UX3 UX2	ARUB420LTE4 ARUB440LTE4 ARUB460LTE4 ARUB480LTE4 ARUB500LTE4 ARUB520LTE4	
UX3 UX3 UX3	ARUB540LTE4 ARUB560LTE4 ARUB580LTE4 ARUB600LTE4	
UX3 UX3 UX3 UX3	ARUB620LTE4 ARUB720LTE4 ARUB640LTE4 ARUB740LTE4 ARUB660LTE4 ARUB760LTE4 ARUB680LTE4 ARUB780LTE4 ARUB700LTE4 ARUB800LTE4	

2. External Appearance

2.2 HR Unit

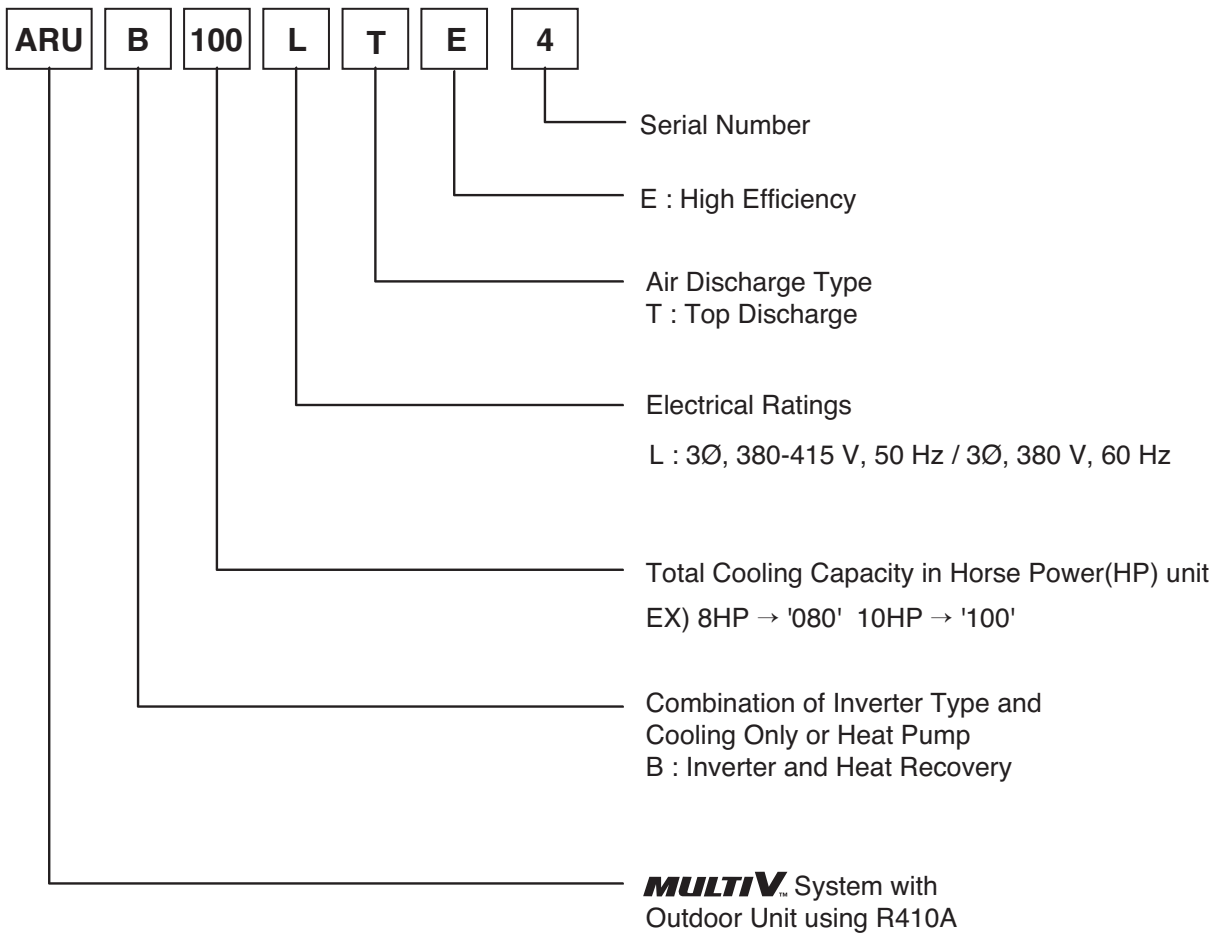
PRHR021, PRHR022	PRHR031, PRHR032	PRHR041, PRHR042
 <p>(For 2 Branches)</p>	 <p>(For 3 Branches)</p>	 <p>(For 4 Branches)</p>

3. Combination of Outdoor Units

■ Heat Recovery

System Capacity	Number of Units	Module(HP)						
		8	10	12	14	16	18	20
ARUB080LTE4	1	1						
ARUB100LTE4	1		1					
ARUB120LTE4	1			1				
ARUB140LTE4	1				1			
ARUB160LTE4	1					1		
ARUB180LTE4	1						1	
ARUB200LTE4	1							1
ARUB220LTE4	2		1	1				
ARUB240LTE4	2			2				
ARUB260LTE4	2			1	1			
ARUB280LTE4	2			1		1		
ARUB300LTE4	2			1			1	
ARUB320LTE4	2			1				1
ARUB340LTE4	2				1			1
ARUB360LTE4	2					1		1
ARUB380LTE4	2						1	1
ARUB400LTE4	2							2
ARUB420LTE4	3		1		1		1	
ARUB440LTE4	3		1		1			1
ARUB460LTE4	3		1			1		1
ARUB480LTE4	3		1				1	1
ARUB500LTE4	3		1					2
ARUB520LTE4	3			1				2
ARUB540LTE4	3				1			2
ARUB560LTE4	3					1		2
ARUB580LTE4	3						1	2
ARUB600LTE4	3							3
ARUB620LTE4	4				2	1	1	
ARUB640LTE4	4				2		2	
ARUB660LTE4	4				1	1	2	
ARUB680LTE4	4				2			2
ARUB700LTE4	4				1	1		2
ARUB720LTE4	4				1		1	2
ARUB740LTE4	4					1	1	2
ARUB760LTE4	4						2	2
ARUB780LTE4	4						1	3
ARUB800LTE4	4							4

4. Nomenclature



5. Indoor Unit and Outdoor Unit Capacity Index

5.1 Outdoor Unit Selection

See the indoor unit capacity tables for given Indoor and Outdoor temperature.
Select the unit whose capacity is the nearest to or greater than given load.

Note:

Individual Indoor Unit capacity is subject to change by combination. Actual capacity has to be calculated according to the combination by using Outdoor unit capacity table.

5.2 Outdoor Unit Selection

Allowable combinations are indicated below. In general, outdoor unit can be selected depending on the location of the unit, zoning and usage of the rooms.

The indoor and outdoor unit combination is determined by comparing the sum of indoor unit capacity index with each Outdoor Unit. It is recommended to be the nearest to 100% combination ratio or to be smaller than that. Refer the table below. To manage cooling/heating load properly, it's better to be selected the bigger capacity outdoor unit rather than the nearest, if the installation space is large enough.

Allowable Total Capacity Index Table of Combined Indoor Units

Outdoor Unit Capacity(HP)	Indoor Unit Combination Ratio										
	50%	60%	70%	80%	90%	100%	110%	120%	130%	160%	200%
8	11.2	13.4	15.7	17.9	20.2	22.4	24.6	26.9	29.1	35.8	44.8
10	14.0	16.8	19.6	22.4	25.2	28.0	30.8	33.6	36.4	44.8	56.0
12	16.8	20.2	23.5	26.9	30.2	33.6	37.0	40.3	43.7	53.8	67.2
14	19.6	23.5	27.4	31.4	35.3	39.2	43.1	47.0	51.0	62.7	78.4
16	22.4	26.9	31.4	35.8	40.3	44.8	49.3	53.8	58.2	71.7	89.6
18	25.2	30.2	35.3	40.3	45.4	50.4	55.4	60.5	65.5	80.6	100.8
20	28.0	33.6	39.2	44.8	50.4	56.0	61.6	67.2	72.8	89.6	112.0
22	30.8	37.0	43.1	49.3	55.4	61.6	67.8	73.9	80.1	98.6	-
24	33.6	40.3	47.0	53.8	60.5	67.2	73.9	80.6	87.4	107.5	-
26	36.4	43.7	51.0	58.2	65.5	72.8	80.1	87.4	94.6	116.5	-
28	39.2	47.0	54.9	62.7	70.6	78.4	86.2	94.1	101.9	125.4	-
30	42.0	50.4	58.8	67.2	75.6	84.0	92.4	100.8	109.2	134.4	-
32	44.8	53.8	62.7	71.7	80.6	89.6	98.6	107.5	116.5	143.4	-
34	47.6	57.1	66.6	76.2	85.7	95.2	104.7	114.2	123.8	152.3	-
36	50.4	60.5	70.6	80.6	90.7	100.8	110.9	121.0	131.0	161.3	-
38	53.2	63.8	74.5	85.1	95.8	106.4	117.0	127.7	138.3	170.2	-
40	56.0	67.2	78.4	89.6	100.8	112.0	123.2	134.4	145.6	179.2	-
42	58.8	70.6	82.3	94.1	105.8	117.6	129.4	141.1	152.9	-	-
44	61.6	73.9	86.2	98.6	110.9	123.2	135.5	147.8	160.2	-	-
46	64.4	77.3	90.2	103.0	115.9	128.8	141.7	154.6	167.4	-	-
48	67.2	80.6	94.1	107.5	121.0	134.4	147.8	161.3	174.7	-	-
50	70.0	84.0	98.0	112.0	126.0	140.0	154.0	168.0	182.0	-	-
52	72.8	87.4	101.9	116.5	131.0	145.6	160.2	174.7	189.3	-	-
54	75.6	90.7	105.8	121.0	136.1	151.2	166.3	181.4	196.6	-	-
56	78.4	94.1	109.8	125.4	141.1	156.8	172.5	188.2	203.8	-	-
58	81.2	97.4	113.7	129.9	146.2	162.4	178.6	194.9	211.1	-	-
60	84.0	100.8	117.6	134.4	151.2	168.0	184.8	201.6	218.4	-	-
62	86.8	104.2	121.5	138.9	156.2	173.6	191.0	208.3	225.7	-	-
64	89.6	107.5	125.4	143.4	161.3	179.2	197.1	215.0	233.0	-	-
66	92.4	110.9	129.4	147.8	166.3	184.8	203.3	221.8	240.2	-	-
68	95.2	114.2	133.3	152.3	171.4	190.4	209.4	228.5	247.5	-	-
70	98.0	117.6	137.2	156.8	176.4	196.0	215.6	235.2	254.8	-	-
72	100.8	121.0	141.1	161.3	181.4	201.6	221.8	241.9	262.1	-	-
74	103.6	124.3	145.0	165.8	186.5	207.2	227.9	248.6	269.4	-	-
76	106.4	127.7	149.0	170.2	191.5	212.8	234.1	255.4	276.6	-	-
78	109.2	131.0	152.9	174.7	196.6	218.4	240.2	262.1	283.9	-	-
80	112.0	134.4	156.8	179.2	201.6	224.0	246.4	268.8	291.2	-	-

* Capacity Index is same as the capacity(kW).

5. Indoor Unit and Outdoor Unit Capacity Index

INDOOR UNIT CAPACITY INDEX

Unit Capacity (Btu/h)	5k	7k	9k	12k	15k	18k	21k	24k	28k	36k	42k	48k	54k	76k	96k
Capacity Index	1.6	2.2	2.8	3.6	4.5	5.6	6.2	7.1	8.2	10.6	12.3	14.1	15.8	22.4	28.0

* Capacity Index is same as the capacity(kW).

CAUTION

■ Combination Ratio(50~200%)

Number of Outdoor units	Combination Ratio
Single Unit	200 %
Two Units combination	160 %
Three or more Units combination	130 %

Notes :

- 1) We can guarantee the operation only within 130% Combination Ratio.
If you want to connect more than 130% combination Ratio, please contact us and discuss the requirement.
- 2) In case that operating indoor units ratio to rated capacity of outdoor unit is more than 130%, the airflow should be operated as low step in the all indoor units.

6. Outdoor Unit Function

Basic functions

Category	Functions	Applicability
Reliability	Defrost / Deicing	O
	High pressure switch	O
	Phase protection	O
	Restart delay (3-minutes)	O
	Self diagnosis	O
	Soft start	O
Network solution(LGAP)		O

Note) O : Applied, X : Not applied

Network solution Accessory List

	Device	Accessory Model Name
Central Controller	AC Ez (Simple Controller)	PQCSZ250S0
	AC Smart II	PQCSW320A1E
	AC Smart Premium	PQCSW421E0A
	128 Unit Expansion Kit for AC Smart	PQCSE440U0
	Option Kit (SD card type) for AC Smart	PQCSE341A0 / PQCSE342A0
	ACP(Advanced Control Platform)	PQCPA11A0E / PQCPB11A0E
	AC Manager	PQCSS520A0E
	ACP(Advanced Control Platform) Standard	PQCPC22N0
	ACP(Advanced Control Platform) Premium	PQCPC22A0
	AC Manager Plus	PQCSSA21E0
	DO(Digital Output) Kit	PQNFP00T0
BNU (Building Network Unit)	LONWORKS Gateway (DC 12V Adapter)	PQNFB16A1 / PLNWKB000
	LONWORKS Gateway (AC 24 V)	PLNWKB100
	BACnet Gateway (DC 12V Adapter)	PQNFB17B0 / PQNFB17C0
	BACnet Gateway (AC 24 V)	PQNFB17C1
Installation	Refrigerant Charging Kit	O (Logical operation)
	PDI(power distribution indicator)	PQNUD1S00
	PDI(power distribution indicator) Premium	PQNUD1S40
	Cool / Heat Selector	PRDSBM
	IO Module (ODU Dry Contact)	PVDSMN000
Cycle Monitoring Device	LG MV	PRCT-FE1
	Mobile LGMV(Bluetooth)	PMVBTQ01

Note :

O : Applied, X : Not applied

Accessory model name : Installed at field, ordered and purchased separately by the corresponding model name, supplied with separate package.

1. Specifications

[50Hz/60Hz]

Heat Recovery

HP		8	10	12	
Model Name	Combination Unit	ARUB080LTE4	ARUB100LTE4	ARUB120LTE4	
	Independent Unit	ARUB080LTE4	ARUB100LTE4	ARUB120LTE4	
Capacity (Rated)	Cooling	kW	22.4	28.0	33.6
		Btu/h	76,400	95,900	114,700
	Heating	kW	25.2	31.5	37.8
		Btu/h	86,000	107,500	129,000
Input (Rated)	Cooling	kW	4.64	5.98	7.58
	Heating	kW	4.74	6.10	8.51
EER			4.83	4.68	4.43
ESEER			7.90	7.54	7.48
COP			5.32	5.16	4.44
Power Factor	Rated	-	0.93	0.93	0.93
Casing Color		Warm Gray /Morning Gray	Warm Gray /Morning Gray	Warm Gray /Morning Gray	
Heat Exchanger		Gold fin	Gold fin	Gold fin	
Compressor	Type	Hermetically Sealed Scroll	Hermetically Sealed Scroll	Hermetically Sealed Scroll	
	Piston Displacement	cm ³ /rev	43.8	62.1	62.1
	Number of Revolution	rev/min	3,600	3,600	3,600
	Motor Output x Number	W x No.	4,200	5,300	5,300
	Starting Method		Direct On Line	Direct On Line	Direct On Line
	Oil Type		FVC68D(PVE)	FVC68D(PVE)	FVC68D(PVE)
Oil Charge	cc	2,400	2,600	2,600	
Fan	Type	Propeller fan	Propeller fan	Propeller fan	
	Motor Output x Number	W	750 x 1	750 x 1	750 x 1
	Air Flow Rate(High)	m ³ /min	210	210	210
		ft ³ /min	7,416	7,416	7,416
	Drive		DC INVERTER	DC INVERTER	DC INVERTER
Discharge	Side / Top	TOP	TOP	TOP	
Piping Connections	Liquid Pipes	mm(inch)	9.52(3/8)	9.52(3/8)	12.7(1/2)
	Low Pressure Gas Pipes	mm(inch)	19.05(3/4)	22.2(7/8)	28.58(1-1/8)
	High Pressure Gas Pipes	mm(inch)	15.88(5/8)	19.05(3/4)	19.05(3/4)
Dimensions(W x H x D)	mm	(920 x 1,680 x 760) x 1	(920 x 1,680 x 760) x 1	(920 x 1,680 x 760) x 1	
	inch	(36-7/32 x 66-5/32 x 29-29/32) x 1	(36-7/32 x 66-5/32 x 29-29/32) x 1	(36-7/32 x 66-5/32 x 29-29/32) x 1	
Net Weight	kg	202 x 1	208 x 1	208 x 1	
	lbs	445 x 1	459 x 1	459 x 1	
Sound Pressure Level	Cooling	dB(A)	58.5	59.0	59.0
	Heating	dB(A)	58.5	59.0	59.0
Sound Power Level		dB(A)	78.0	78.0	79.0
Protection Devices	High pressure protection	-	High pressure sensor / High pressure switch	High pressure sensor / High pressure switch	High pressure sensor / High pressure switch
	Compressor/ Fan	-	Over-heat protection / Fan driver overload protector	Over-heat protection / Fan driver overload protector	Over-heat protection / Fan driver overload protector
	Inverter	-	Over-heat protection / Over-current protection	Over-heat protection / Over-current protection	Over-heat protection / Over-current protection
Communication Cable	No. x mm ² (VCTF-SB)	2C x 1.0 ~ 1.5	2C x 1.0 ~ 1.5	2C x 1.0 ~ 1.5	
Refrigerant	Refrigerant name		R410A	R410A	R410A
	Precharged Amount	kg	7.5	7.5	7.5
		lbs	16.5	16.5	16.5
	t-CO ₂ eq	-	15.7	15.7	15.7
Control			Electronic Expansion Valve	Electronic Expansion Valve	Electronic Expansion Valve
Power Supply	V, Ø, Hz		380~415, 3, 50	380~415, 3, 50	380~415, 3, 50
			380, 3, 60	380, 3, 60	380, 3, 60
Number of maximum connectable indoor units ⁵⁾			13(20)	16(25)	20(30)

Notes:

- EUROVENT Test Condition : Type of indoor unit connected is only Ceiling Concealed Duct.
- Refer to EUROVENT certification regulation for more detail test conditions.
- Refer to EUROVENT website for test values connected Ceiling Cassette type indoors.
- Performances are based on the following conditions :
- Cooling Temperature : Indoor 27°C(80.6°F) DB / 19°C(66.2°F) WB
Outdoor 35°C(95°F) DB / 24°C(75.2°F) WB
- Heating Temperature : Indoor 20°C(68°F) DB / 15°C(59°F) WB
Outdoor 7°C(44.6°F) DB / 6°C(42.8°F) WB
- Piping Length : Interconnected Pipe Length = 7.5m
- Difference Limit of Elevation (Outdoor ~ Indoor Unit) is Zero.
- Wiring cable size must comply with the applicable local and national code.
- Sound Level Values can be increased owing to ambient conditions during operation.
- The numbers in parentheses means maximum connectable indoor units in accordance with

- outdoor units combination. The recommended ratio is 130%.
- ESEER calculation corresponds with below conditions and power input of indoor units is not included.
- Indoor temperature : 27°C(80.6°F) DB / 19°C(66.2°F) WB
- Outdoor temperature conditions.

Part Load Ratio	Outdoor Air Temp.(°C(°F)DB)	Weighting Coefficients
100%	35 (95)	0.03
75%	30 (86)	0.33
50%	25 (77)	0.41
25%	20 (68)	0.23

- Formula : 0.03 x EER_{100%} + 0.33 x EER_{75%} + 0.41 x EER_{50%} + 0.23 x EER_{25%}
- 7. Due to our policy of innovation some specifications may be changed without notification.
- 8. Power factor could vary less than ±1% according to the operating conditions.
- 9. This product contains Fluorinated greenhouse gases.(R410A, GWP(Global warming potential) = 2087.5)

1. Specifications

[50Hz/60Hz]

HP		14	16	18	
Model Name	Combination Unit	ARUB140LTE4	ARUB160LTE4	ARUB180LTE4	
	Independent Unit	ARUB140LTE4	ARUB160LTE4	ARUB180LTE4	
Capacity (Rated)	Cooling	kW	39.2	44.8	50.4
		Btu/h	133,800	152,900	172,000
	Heating	kW	44.1	50.0	56.7
		Btu/h	150,500	170,600	193,500
Input (Rated)	Cooling	kW	8.77	10.90	10.93
	Heating	kW	9.21	11.30	12.49
EER			4.47	4.11	4.61
ESEER			7.37	7.27	7.17
COP			4.79	4.42	4.54
Power Factor	Rated	-	0.93	0.93	0.93
Casing Color		Warm Gray /Morning Gray	Warm Gray /Morning Gray	Warm Gray /Morning Gray	
Heat Exchanger		Gold fin	Gold fin	Gold fin	
Compressor	Type	Hermetically Sealed Scroll	Hermetically Sealed Scroll	Hermetically Sealed Scroll	
	Piston Displacement	cm ³ /rev	62.1	62.1	43.8 × 2
	Number of Revolution	rev/min	3,600	3,600	3,600 × 2
	Motor Output x Number	W x No.	5,300	5,300	4,200 × 2
	Starting Method		Direct On Line	Direct On Line	Direct On Line
	Oil Type		FVC68D(PVE)	FVC68D(PVE)	FVC68D(PVE)
Oil Charge	cc	2,600	2,600	3,600	
Fan	Type	Propeller fan	Propeller fan	Propeller fan	
	Motor Output x Number	W	600 x 2	600 x 2	600 x 2
	Air Flow Rate(High)	m ³ /min	290	290	290
		ft ³ /min	10,241	10,241	10,241
	Drive		DC INVERTER	DC INVERTER	DC INVERTER
Discharge	Side / Top	TOP	TOP	TOP	
Piping Connections	Liquid Pipes	mm(inch)	12.7(1/2)	12.7(1/2)	15.88(5/8)
	Low Pressure Gas Pipes	mm(inch)	28.58(1-1/8)	28.58(1-1/8)	28.58(1-1/8)
	High Pressure Gas Pipes	mm(inch)	22.2(7/8)	22.2(7/8)	22.2(7/8)
Dimensions(W x H x D)		mm	(1,240 × 1,680 × 760) × 1	(1,240 × 1,680 × 760) × 1	(1,240 × 1,680 × 760) × 1
		inch	(48-13/16 × 66-5/32 × 29-29/32) × 1	(48-13/16 × 66-5/32 × 29-29/32) × 1	(48-13/16 × 66-5/32 × 29-29/32) × 1
Net Weight		kg	245 × 1	245 × 1	280 × 1
		lbs	540 × 1	540 × 1	617 × 1
Sound Pressure Level	Cooling	dB(A)	59.0	59.0	59.5
	Heating	dB(A)	59.0	59.0	59.5
Sound Power Level		dB(A)	82.0	82.0	83.0
Protection Devices	High pressure protection	-	High pressure sensor / High pressure switch	High pressure sensor / High pressure switch	High pressure sensor / High pressure switch
	Compressor/ Fan	-	Over-heat protection / Fan driver overload protector	Over-heat protection / Fan driver overload protector	Over-heat protection / Fan driver overload protector
	Inverter	-	Over-heat protection / Over-current protection	Over-heat protection / Over-current protection	Over-heat protection / Over-current protection
Communication Cable	No.xmm ² (VCTF-SB)		2C × 1.0 ~ 1.5	2C × 1.0 ~ 1.5	2C × 1.0 ~ 1.5
Refrigerant	Refrigerant name		R410A	R410A	R410A
	Precharged Amount	kg	10.5	10.5	10.5
		lbs	23.1	23.1	23.1
	t-CO ₂ eq	-	21.9	21.9	21.9
Control		Electronic Expansion Valve	Electronic Expansion Valve	Electronic Expansion Valve	
Power Supply	V, Ø, Hz		380~415, 3, 50	380~415, 3, 50	380~415, 3, 50
			380, 3, 60	380, 3, 60	380, 3, 60
Number of maximum connectable indoor units ⁵⁾			23(35)	26(40)	29(45)

Notes:

- EUROVENT Test Condition : Type of indoor unit connected is only Ceiling Concealed Duct.
- Refer to EUROVENT certification regulation for more detail test conditions.
- Refer to EUROVENT website for test values connected Ceiling Cassette type indoors.
- Performances are based on the following conditions :
- Cooling Temperature : Indoor 27°C(80.6°F) DB / 19°C(66.2°F) WB
Outdoor 35°C(95°F) DB / 24°C(75.2°F) WB
- Heating Temperature : Indoor 20°C(68°F) DB / 15°C(59°F) WB
Outdoor 7°C(44.6°F) DB / 6°C(42.8°F) WB
- Piping Length : Interconnected Pipe Length = 7.5m
- Difference Limit of Elevation (Outdoor ~ Indoor Unit) is Zero.
- Wiring cable size must comply with the applicable local and national code.
- Sound Level Values can be increased owing to ambient conditions during operation.
- The numbers in parentheses means maximum connectable indoor units in accordance with

- outdoor units combination. The recommended ratio is 130%.
- ESEER calculation corresponds with below conditions and power input of indoor units is not included.
- Indoor temperature : 27°C(80.6°F) DB / 19°C(66.2°F) WB
- Outdoor temperature conditions.

Part Load Ratio	Outdoor Air Temp.(°C(°F)DB)	Weighting Coefficients
100%	35 (95)	0.03
75%	30 (86)	0.33
50%	25 (77)	0.41
25%	20 (68)	0.23

- Formula : 0.03 x EER_{100%} + 0.33 x EER_{75%} + 0.41 x EER_{50%} + 0.23 x EER_{25%}
- Due to our policy of innovation some specifications may be changed without notification.
 - Power factor could vary less than ±1% according to the operating conditions.
 - This product contains Fluorinated greenhouse gases.(R410A, GWP(Global warming potential) = 2087.5)

1. Specifications

[50Hz/60Hz]

HP		20	22	24	
Model Name	Combination Unit	ARUB200LTE4	ARUB220LTE4	ARUB240LTE4	
	Independent Unit	ARUB200LTE4	ARUB120LTE4 ARUB100LTE4	ARUB120LTE4 ARUB120LTE4	
Capacity (Rated)	Cooling	kW	56.0	61.6	67.2
		Btu/h	191,100	210,600	229,400
	Heating	kW	63.0	69.3	75.6
		Btu/h	215,000	236,500	258,000
Input (Rated)	Cooling	kW	12.81	13.56	15.16
	Heating	kW	14.82	14.61	17.02
EER			4.37	4.54	4.43
ESEER			6.78	7.51	7.48
COP			4.25	4.74	4.44
Power Factor	Rated	-	0.93	0.93	0.93
Casing Color		Warm Gray /Morning Gray	Warm Gray /Morning Gray	Warm Gray /Morning Gray	
Heat Exchanger		Gold fin	Gold fin	Gold fin	
Compressor	Type	Hermetically Sealed Scroll	Hermetically Sealed Scroll	Hermetically Sealed Scroll	
	Piston Displacement	cm ³ /rev	43.8 × 2	62.1 × 2	62.1 × 2
	Number of Revolution	rev/min	3,600 × 2	3,600 × 2	3,600 × 2
	Motor Output x Number	W x No.	4,200 × 2	5,300 × 2	5,300 × 2
	Starting Method		Direct On Line	Direct On Line	Direct On Line
	Oil Type		FVC68D(PVE)	FVC68D(PVE)	FVC68D(PVE)
Oil Charge	cc	3,600	5,200	5,200	
Fan	Type	Propeller fan	Propeller fan	Propeller fan	
	Motor Output x Number	W	600 × 2	750 × 2	750 × 2
	Air Flow Rate(High)	m ³ /min	290	210 × 2	210 × 2
		ft ³ /min	10,241	7,416 × 2	7,416 × 2
	Drive		DC INVERTER	DC INVERTER	DC INVERTER
Discharge	Side / Top	TOP	TOP	TOP	
Piping Connections	Liquid Pipes	mm(inch)	15.88(5/8)	15.88(5/8)	15.88(5/8)
	Low Pressure Gas Pipes	mm(inch)	28.58(1-1/8)	34.9(1-3/8)	34.9(1-3/8)
	High Pressure Gas Pipes	mm(inch)	22.2(7/8)	28.58(1-1/8)	28.58(1-1/8)
Dimensions(W x H x D)		mm	(1,240 × 1,680 × 760) × 1	(920 × 1,680 × 760) × 2	(920 × 1,680 × 760) × 2
		inch	(48-13/16 × 66-5/32 × 29-29/32) × 1	(36-7/32 × 66-5/32 × 29-29/32) × 2	(36-7/32 × 66-5/32 × 29-29/32) × 2
Net Weight		kg	280 × 1	208 × 2	208 × 2
		lbs	617 × 1	459 × 2	459 × 2
Sound Pressure Level	Cooling	dB(A)	59.5	62.0	62.0
	Heating	dB(A)	59.5	62.0	62.0
Sound Power Level		dB(A)	83.0	81.5	82.0
Protection Devices	High pressure protection	-	High pressure sensor / High pressure switch	High pressure sensor / High pressure switch	High pressure sensor / High pressure switch
	Compressor/ Fan	-	Over-heat protection / Fan driver overload protector	Over-heat protection / Fan driver overload protector	Over-heat protection / Fan driver overload protector
	Inverter	-	Over-heat protection / Over-current protection	Over-heat protection / Over-current protection	Over-heat protection / Over-current protection
Communication Cable	No.xmm ² (VCTF-SB)		2C × 1.0 ~ 1.5	2C × 1.0 ~ 1.5	2C × 1.0 ~ 1.5
Refrigerant	Refrigerant name		R410A	R410A	R410A
	Precharged Amount	kg	10.5	7.5 × 2	7.5 × 2
		lbs	23.1	16.5 × 2	16.5 × 2
	t-CO2 eq	-	21.9	31.3	31.3
Control		Electronic Expansion Valve	Electronic Expansion Valve	Electronic Expansion Valve	
Power Supply	V, Ø, Hz		380~415, 3, 50	380~415, 3, 50	380~415, 3, 50
			380, 3, 60	380, 3, 60	380, 3, 60
Number of maximum connectable indoor units ⁵⁾			32(50)	35(44)	39(48)

Notes:

- EUROVENT Test Condition : Type of indoor unit connected is only Ceiling Concealed Duct.
- Refer to EUROVENT certification regulation for more detail test conditions.
- Refer to EUROVENT website for test values connected Ceiling Cassette type indoors.
- Performances are based on the following conditions :
- Cooling Temperature : Indoor 27°C(80.6°F) DB / 19°C(66.2°F) WB
Outdoor 35°C(95°F) DB / 24°C(75.2°F) WB
- Heating Temperature : Indoor 20°C(68°F) DB / 15°C(59°F) WB
Outdoor 7°C(44.6°F) DB / 6°C(42.8°F) WB
- Piping Length : Interconnected Pipe Length = 7.5m
- Difference Limit of Elevation (Outdoor ~ Indoor Unit) is Zero.
- Wiring cable size must comply with the applicable local and national code.
- Sound Level Values can be increased owing to ambient conditions during operation.
- The numbers in parentheses means maximum connectable indoor units in accordance with

- outdoor units combination. The recommended ratio is 130%.
- ESEER calculation corresponds with below conditions and power input of indoor units is not included.
- Indoor temperature : 27°C(80.6°F) DB / 19°C(66.2°F) WB
- Outdoor temperature conditions.

Part Load Ratio	Outdoor Air Temp.(°C/°F)DB	Weighting Coefficients
100%	35 (95)	0.03
75%	30 (86)	0.33
50%	25 (77)	0.41
25%	20 (68)	0.23

- Formula : 0.03 x EER_{100%} + 0.33 x EER_{75%} + 0.41 x EER_{50%} + 0.23 x EER_{25%}
- 7. Due to our policy of innovation some specifications may be changed without notification.
- 8. Power factor could vary less than ±1% according to the operating conditions.
- 9. This product contains Fluorinated greenhouse gases.(R410A, GWP(Global warming potential) = 2087.5)

3 _ R410A(50Hz/60Hz)

1. Specifications

[50Hz/60Hz]

HP			26	28	30
Model Name	Combination Unit		ARUB260LTE4	ARUB280LTE4	ARUB300LTE4
	Independent Unit		ARUB140LTE4	ARUB160LTE4	ARUB180LTE4
			ARUB120LTE4	ARUB120LTE4	ARUB120LTE4
Capacity (Rated)	Cooling	kW	72.8	78.4	84.0
		Btu/h	248,500	267,600	286,700
	Heating	kW	81.9	87.8	94.5
		Btu/h	279,500	299,600	322,500
Input (Rated)	Cooling	kW	16.35	18.48	18.51
	Heating	kW	17.72	19.81	21.32
EER			4.45	4.24	4.54
ESEER			7.43	7.38	7.33
COP			4.62	4.43	4.43
Power Factor	Rated	-	0.93	0.93	0.93
Casing Color			Warm Gray /Morning Gray	Warm Gray /Morning Gray	Warm Gray /Morning Gray
Heat Exchanger			Gold fin	Gold fin	Gold fin
Compressor	Type		Hermetically Sealed Scroll	Hermetically Sealed Scroll	Hermetically Sealed Scroll
	Piston Displacement	cm ³ /rev	62.1 x 2	62.1 x 2	(43.8 x 2) + 62.1
	Number of Revolution	rev/min	3,600 x 2	3,600 x 2	(3,600 x 2) + 3,600
	Motor Output x Number	W x No.	5,300 x 2	5,300 x 2	(4,200 x 2) + 5,300
	Starting Method		Direct On Line	Direct On Line	Direct On Line
	Oil Type		FVC68D(PVE)	FVC68D(PVE)	FVC68D(PVE)
Oil Charge		cc	5,200	5,200	6,200
Fan	Type		Propeller fan	Propeller fan	Propeller fan
	Motor Output x Number	W	(600 x 2) + 750	(600 x 2) + 750	(600 x 2) + 750
	Air Flow Rate(High)	m ³ /min	290 + 210	290 + 210	290 + 210
		ft ³ /min	10,241 + 7,416	10,241 + 7,416	10,241 + 7,416
	Drive		DC INVERTER	DC INVERTER	DC INVERTER
Discharge		Side / Top	TOP	TOP	TOP
Piping Connections	Liquid Pipes	mm(inch)	19.05(3/4)	19.05(3/4)	19.05(3/4)
	Low Pressure Gas Pipes	mm(inch)	34.9(1-3/8)	34.9(1-3/8)	34.9(1-3/8)
	High Pressure Gas Pipes	mm(inch)	28.58(1-1/8)	28.58(1-1/8)	28.58(1-1/8)
Dimensions(W x H x D)	mm		(1,240 x 1,680 x 760) x 1 + (920 x 1,680 x 760) x 1	(1,240 x 1,680 x 760) x 1 + (920 x 1,680 x 760) x 1	(1,240 x 1,680 x 760) x 1 + (920 x 1,680 x 760) x 1
	inch		(48-13/16 x 66-5/32 x 29-29/32) x 1 + (36-7/32 x 66-5/32 x 29-29/32) x 1	(48-13/16 x 66-5/32 x 29-29/32) x 1 + (36-7/32 x 66-5/32 x 29-29/32) x 1	(48-13/16 x 66-5/32 x 29-29/32) x 1 + (36-7/32 x 66-5/32 x 29-29/32) x 1
Net Weight	kg		245 x 1 + 208 x 1	245 x 1 + 208 x 1	280 x 1 + 208 x 1
	lbs		540 x 1 + 459 x 1	540 x 1 + 459 x 1	617 x 1 + 459 x 1
Sound Pressure Level	Cooling	dB(A)	62.0	62.0	62.3
	Heating	dB(A)	62.0	62.0	62.3
Sound Power Level		dB(A)	83.8	83.8	84.5
Protection Devices	High pressure protection	-	High pressure sensor / High pressure switch	High pressure sensor / High pressure switch	High pressure sensor / High pressure switch
	Compressor/ Fan	-	Over-heat protection / Fan driver overload protector	Over-heat protection / Fan driver overload protector	Over-heat protection / Fan driver overload protector
	Inverter	-	Over-heat protection / Over-current protection	Over-heat protection / Over-current protection	Over-heat protection / Over-current protection
Communication Cable	No.xmm ² (VCTF-SB)		2C x 1.0 ~ 1.5	2C x 1.0 ~ 1.5	2C x 1.0 ~ 1.5
Refrigerant	Refrigerant name		R410A	R410A	R410A
	Precharged Amount	kg	10.5 + 7.5	10.5 + 7.5	10.5 + 7.5
		lbs	23.1 + 16.5	23.1 + 16.5	23.1 + 16.5
	t-CO2 eq	-	37.6	37.6	37.6
Control			Electronic Expansion Valve	Electronic Expansion Valve	Electronic Expansion Valve
Power Supply		V, Ø, Hz	380~415, 3, 50	380~415, 3, 50	380~415, 3, 50
Number of maximum connectable indoor units ⁵⁾			380, 3, 60 42(52)	380, 3, 60 45(56)	380, 3, 60 49(60)

Notes:

- EUROVENT Test Condition : Type of indoor unit connected is only Ceiling Concealed Duct.
- Refer to EUROVENT certification regulation for more detail test conditions.
- Refer to EUROVENT website for test values connected Ceiling Cassette type indoors.
- Performances are based on the following conditions:
- Cooling Temperature : Indoor 27°C(80.6°F) DB / 19°C(66.2°F) WB
Outdoor 35°C(95°F) DB / 24°C(75.2°F) WB
- Heating Temperature : Indoor 20°C(68°F) DB / 15°C(59°F) WB
Outdoor 7°C(44.6°F) DB / 6°C(42.8°F) WB
- Piping Length : Interconnected Pipe Length = 7.5m
- Difference Limit of Elevation (Outdoor ~ Indoor Unit) is Zero.
- Wiring cable size must comply with the applicable local and national code.
- Sound Level Values can be increased owing to ambient conditions during operation.
- The numbers in parentheses means maximum connectable indoor units in accordance with

- outdoor units combination. The recommended ratio is 130%.
- ESEER calculation corresponds with below conditions and power input of indoor units is not included.
- Indoor temperature : 27°C(80.6°F) DB / 19°C(66.2°F) WB
- Outdoor temperature conditions.

Part Load Ratio	Outdoor Air Temp.(°C(°F)DB)	Weighting Coefficients
100%	35 (95)	0.03
75%	30 (86)	0.33
50%	25 (77)	0.41
25%	20 (68)	0.23

- Formula : 0.03 x EER_{100%} + 0.33 x EER_{75%} + 0.41 x EER_{50%} + 0.23 x EER_{25%}
- Due to our policy of innovation some specifications may be changed without notification.
- Power factor could vary less than ±1% according to the operating conditions.
- This product contains Fluorinated greenhouse gases.(R410A, GWP(Global warming potential) = 2087.5)

1. Specifications

[50Hz/60Hz]

HP			32	34	36
Model Name	Combination Unit		ARUB320LTE4	ARUB340LTE4	ARUB360LTE4
	Independent Unit		ARUB200LTE4	ARUB200LTE4	ARUB200LTE4
			ARUB120LTE4	ARUB140LTE4	ARUB160LTE4
Capacity (Rated)	Cooling	kW	89.6	95.2	100.8
		Btu/h	305,800	324,900	344,000
	Heating	kW	100.8	107.1	113.0
		Btu/h	344,000	365,500	385,600
Input (Rated)	Cooling	kW	20.39	21.58	23.71
	Heating	kW	23.33	24.03	26.12
EER			4.39	4.41	4.25
ESEER			7.13	7.08	7.03
COP			4.32	4.46	4.33
Power Factor	Rated	-	0.93	0.93	0.93
Casing Color			Warm Gray /Morning Gray	Warm Gray /Morning Gray	Warm Gray /Morning Gray
Heat Exchanger			Gold fin	Gold fin	Gold fin
Compressor	Type		Hermetically Sealed Scroll	Hermetically Sealed Scroll	Hermetically Sealed Scroll
	Piston Displacement	cm ³ /rev	(43.8 x 2) + 62.1	(43.8 x 2) + 62.1	(43.8 x 2) + 62.1
	Number of Revolution	rev/min	(3,600 x 2) + 3,600	(3,600 x 2) + 3,600	(3,600 x 2) + 3,600
	Motor Output x Number	W x No.	(4,200 x 2) + 5,300	(4,200 x 2) + 5,300	(4,200 x 2) + 5,300
	Starting Method		Direct On Line	Direct On Line	Direct On Line
	Oil Type		FVC68D(PVE)	FVC68D(PVE)	FVC68D(PVE)
Oil Charge		cc	6,200	6,200	6,200
Fan	Type		Propeller fan	Propeller fan	Propeller fan
	Motor Output x Number	W	(600 x 2) + 750	(600 x 2) x 2	(600 x 2) x 2
	Air Flow Rate(High)	m ³ /min	250 + 210	290 x 2	290 x 2
		ft ³ /min	10,241 + 7,416	10,241 x 2	10,241 x 2
	Drive		DC INVERTER	DC INVERTER	DC INVERTER
Discharge		Side / Top	TOP	TOP	TOP
Piping Connections	Liquid Pipes	mm(inch)	19.05(3/4)	19.05(3/4)	19.05(3/4)
	Low Pressure Gas Pipes	mm(inch)	34.9(1-3/8)	34.9(1-3/8)	41.3(1-5/8)
	High Pressure Gas Pipes	mm(inch)	28.58(1-1/8)	28.58(1-1/8)	28.58(1-1/8)
Dimensions(W x H x D)	mm		(1,240 x 1,680 x 760) x 1 + (920 x 1,680 x 760) x 1	(1,240 x 1,680 x 760) x 2	(1,240 x 1,680 x 760) x 2
	inch		(48-13/16 x 66-5/32 x 29-29/32) x 1 + (36-7/32 x 66-5/32 x 29-29/32) x 1	(48-13/16 x 66-5/32 x 29-29/32) x 2	(48-13/16 x 66-5/32 x 29-29/32) x 2
Net Weight	kg		280 x 1 + 208 x 1	280 x 1 + 245 x 1	280 x 1 + 245 x 1
	lbs		617 x 1 + 459 x 1	617 x 1 + 540 x 1	617 x 1 + 540 x 1
Sound Pressure Level	Cooling	dB(A)	62.3	62.3	62.3
	Heating	dB(A)	62.3	62.3	62.3
Sound Power Level		dB(A)	84.5	85.5	85.5
Protection Devices	High pressure protection	-	High pressure sensor / High pressure switch	High pressure sensor / High pressure switch	High pressure sensor / High pressure switch
	Comperssor/ Fan	-	Over-heat protection / Fan driver overload protector	Over-heat protection / Fan driver overload protector	Over-heat protection / Fan driver overload protector
	Inverter	-	Over-heat protection / Over-current protection	Over-heat protection / Over-current protection	Over-heat protection / Over-current protection
Communication Cable	No.xmm ² (VCTF-SB)		2C x 1.0 ~ 1.5	2C x 1.0 ~ 1.5	2C x 1.0 ~ 1.5
Refrigerant	Refrigerant name		R410A	R410A	R410A
	Precharged Amount	kg	10.5 + 7.5	10.5 x 2	10.5 x 2
		lbs	23.1 + 16.5	23.1 x 2	23.1 x 2
	t-CO2 eq	-	37.6	43.8	43.8
Control			Electronic Expansion Valve	Electronic Expansion Valve	Electronic Expansion Valve
Power Supply		V, Ø, Hz	380~415, 3, 50	380~415, 3, 50	380~415, 3, 50
Number of maximum connectable indoor units ⁵⁾			380, 3, 60 52(64)	380, 3, 60 55(64)	380, 3, 60 58(64)

Notes:

- EUROVENT Test Condition : Type of indoor unit connected is only Ceiling Concealed Duct.
- Refer to EUROVENT certification regulation for more detail test conditions.
- Refer to EUROVENT website for test values connected Ceiling Cassette type indoors.
- Performances are based on the following conditions :
 - Cooling Temperature : Indoor 27°C(80.6°F) DB / 19°C(66.2°F) WB
Outdoor 35°C(95°F) DB / 24°C(75.2°F) WB
 - Heating Temperature : Indoor 20°C(68°F) DB / 15°C(59°F) WB
Outdoor 7°C(44.6°F) DB / 6°C(42.8°F) WB
 - Piping Length : Interconnected Pipe Length = 7.5m
 - Difference Limit of Elevation (Outdoor ~ Indoor Unit) is Zero.
- Wiring cable size must comply with the applicable local and national code.
- Sound Level Values can be increased owing to ambient conditions during operation.
- The numbers in parentheses means maximum connectable indoor units in accordance with

- outdoor units combination. The recommended ratio is 130%.
- ESEER calculation corresponds with below conditions and power input of indoor units is not included.
 - Indoor temperature : 27°C(80.6°F) DB / 19°C(66.2°F) WB
 - Outdoor temperature conditions.

Part Load Ratio	Outdoor Air Temp.(°C(°F)DB)	Weighting Coefficients
100%	35 (95)	0.03
75%	30 (86)	0.33
50%	25 (77)	0.41
25%	20 (68)	0.23

- Formula : 0.03 x EER_{100%} + 0.33 x EER_{75%} + 0.41 x EER_{50%} + 0.23 x EER_{25%}
- Due to our policy of innovation some specifications may be changed without notification.
- Power factor could vary less than ±1% according to the operating conditions.
- This product contains Fluorinated greenhouse gases.(R410A, GWP(Global warming potential) = 2087.5)

1. Specifications

[50Hz/60Hz]

Outdoor Units

HP			38	40	42
Model Name	Combination Unit		ARUB380LTE4	ARUB400LTE4	ARUB420LTE4
	Independent Unit		ARUB200LTE4	ARUB200LTE4	ARUB180LTE4
			ARUB180LTE4	ARUB200LTE4	ARUB140LTE4
				ARUB100LTE4	
Capacity (Rated)	Cooling	kW	106.4	112.0	117.6
		Btu/h	363,100	382,200	401,400
	Heating	kW	119.7	126.0	132.3
		Btu/h	408,400	429,900	451,500
Input (Rated)	Cooling	kW	23.74	25.62	25.68
	Heating	kW	27.63	29.64	28.12
EER			4.48	4.37	4.58
ESEER			6.98	6.78	7.36
COP			4.33	4.25	4.70
Power Factor	Rated	-	0.93	0.93	0.93
Casing Color			Warm Gray /Morning Gray	Warm Gray /Morning Gray	Warm Gray /Morning Gray
Heat Exchanger			Gold fin	Gold fin	Gold fin
Compressor	Type		Hermetically Sealed Scroll	Hermetically Sealed Scroll	Hermetically Sealed Scroll
	Piston Displacement	cm ³ /rev	(43.8 x 2) x 2	(43.8 x 2) x 2	(43.8 x 2) + 62.1 x 2
	Number of Revolution	rev/min	(3,600 x 2) x 2	(3,600 x 2) x 2	(3,600 x 2) + 3,600 x 2
	Motor Output x Number	W x No.	(4,200 x 2) x 2	(4,200 x 2) x 2	(4,200 x 2) + 5,300 x 2
	Starting Method		Direct On Line	Direct On Line	Direct On Line
	Oil Type		FVC68D(PVE)	FVC68D(PVE)	FVC68D(PVE)
Oil Charge		cc	7,200	7,200	8,800
Fan	Type		Propeller fan	Propeller fan	Propeller fan
	Motor Output x Number	W	(600 x 2) x 2	(600 x 2) x 2	(600 x 2) x 2 + 750
	Air Flow Rate(High)	m ³ /min	290 x 2	290 x 2	250 x 2 + 210
		ft ³ /min	10,241 x 2	10,241 x 2	10,241 x 2 + 7,416
	Drive		DC INVERTER	DC INVERTER	DC INVERTER
Discharge		Side / Top	TOP	TOP	TOP
Piping Connections	Liquid Pipes	mm(inch)	19.05(3/4)	19.05(3/4)	19.05(3/4)
	Low Pressure Gas Pipes	mm(inch)	41.3(1-5/8)	41.3(1-5/8)	41.3(1-5/8)
	High Pressure Gas Pipes	mm(inch)	34.9(1-3/8)	34.9(1-3/8)	34.9(1-3/8)
Dimensions(W x H x D)	mm		(1,240 x 1,680 x 760) x 2	(1,240 x 1,680 x 760) x 2	(1,240 x 1,680 x 760) x 2 + (920 x 1,680 x 760) x 1
	inch		(48-13/16 x 66-5/32 x 29-29/32) x 2	(48-13/16 x 66-5/32 x 29-29/32) x 2	(48-13/16 x 66-5/32 x 29-29/32) x 2 + (36-7/32 x 66-5/32 x 29-29/32) x 1
Net Weight	kg		280 x 2	280 x 2	280 x 1 + 245 x 1 + 208 x 1
	lbs		617 x 2	617 x 2	617 x 1 + 540 x 1 + 459 x 1
Sound Pressure Level	Cooling	dB(A)	62.5	62.5	63.9
	Heating	dB(A)	62.5	62.5	63.9
Sound Power Level		dB(A)	86.0	86.0	86.2
Protection Devices	High pressure protection	-	High pressure sensor / High pressure switch	High pressure sensor / High pressure switch	High pressure sensor / High pressure switch
	Comperssor/ Fan	-	Over-heat protection / Fan driver overload protector	Over-heat protection / Fan driver overload protector	Over-heat protection / Fan driver overload protector
	Inverter	-	Over-heat protection / Over-current protection	Over-heat protection / Over-current protection	Over-heat protection / Over-current protection
Communication Cable	No.xmm ² (VCTF-SB)		2C x 1.0 ~ 1.5	2C x 1.0 ~ 1.5	2C x 1.0 ~ 1.5
Refrigerant	Refrigerant name		R410A	R410A	R410A
	Precharged Amount	kg	10.5 x 2	10.5 x 2	(10.5 x 2) + 7.5
		lbs	23.1 x 2	23.1 x 2	(23.1 x 2) + 16.5
	t-CO2 eq	-	43.8	43.8	59.5
Control			Electronic Expansion Valve	Electronic Expansion Valve	Electronic Expansion Valve
Power Supply		V, Ø, Hz	380~415, 3, 50	380~415, 3, 50	380~415, 3, 50
Number of maxmum connectable indoor units ⁵⁾			380, 3, 60	380, 3, 60	380, 3, 60
			61(64)	64	64

Notes:

- EUROVENT Test Condition : Type of indoor unit connected is only Ceiling Concealed Duct.
- Refer to EUROVENT certification regulation for more detail test conditions.
- Refer to EUROVENT website for test values connected Ceiling Cassette type indoors.
- Performances are based on the following conditions:
- Cooling Temperature : Indoor 27°C(80.6°F) DB / 19°C(66.2°F) WB
Outdoor 35°C(95°F) DB / 24°C(75.2°F) WB
- Heating Temperature : Indoor 20°C(68°F) DB / 15°C(59°F) WB
Outdoor 7°C(44.6°F) DB / 6°C(42.8°F) WB
- Piping Length : Interconnected Pipe Length = 7.5m
- Difference Limit of Elevation (Outdoor ~ Indoor Unit) is Zero.
- Wiring cable size must comply with the applicable local and national code.
- Sound Level Values can be increased owing to ambient conditions during operation.
- The numbers in parentheses means maximum connectable indoor units in accordance with

- outdoor units combination. The recommended ratio is 130%.
- ESEER calculation corresponds with below conditions and power input of indoor units is not included.
- Indoor temperature : 27°C(80.6°F) DB / 19°C(66.2°F) WB
- Outdoor temperature conditions.

Part Load Ratio	Outdoor Air Temp.(°C(°F)DB)	Weighting Coefficients
100%	35 (95)	0.03
75%	30 (86)	0.33
50%	25 (77)	0.41
25%	20 (68)	0.23

- Formula : 0.03 x EER_{100%} + 0.33 x EER_{75%} + 0.41 x EER_{50%} + 0.23 x EER_{25%}
- Due to our policy of innovation some specifications may be changed without notification.
- Power factor could vary less than ±1% according to the operating conditions.
- This product contains Fluorinated greenhouse gases.(R410A, GWP(Global warming potential) = 2087.5)

1. Specifications

[50Hz/60Hz]

HP			44	46	48
Model Name	Combination Unit		ARUB440LTE4	ARUB460LTE4	ARUB480LTE4
	Independent Unit		ARUB200LTE4	ARUB200LTE4	ARUB200LTE4
			ARUB140LTE4	ARUB160LTE4	ARUB180LTE4
			ARUB100LTE4	ARUB100LTE4	ARUB100LTE4
Capacity (Rated)	Cooling	kW	123.2	128.8	134.4
		Btu/h	420,500	439,600	458,700
	Heating	kW	138.6	144.5	151.2
		Btu/h	473,000	493,100	516,000
Input (Rated)	Cooling	kW	27.56	29.69	29.72
	Heating	kW	30.13	32.22	33.73
EER			4.47	4.34	4.52
ESEER			7.23	7.20	7.16
COP			4.60	4.48	4.48
Power Factor	Rated	-	0.93	0.93	0.93
Casing Color			Warm Gray /Morning Gray	Warm Gray /Morning Gray	Warm Gray /Morning Gray
Heat Exchanger			Gold fin	Gold fin	Gold fin
Compressor	Type		Hermetically Sealed Scroll	Hermetically Sealed Scroll	Hermetically Sealed Scroll
	Piston Displacement	cm ³ /rev	(43.8 x 2) + 62.1 x 2	(43.8 x 2) + 62.1 x 2	(43.8 x 2) x 2 + 62.1
	Number of Revolution	rev/min	(3,600 x 2) + 3,600 x 2	(3,600 x 2) + 3,600 x 2	(3,600 x 2) x 2 + 3,600
	Motor Output x Number	W x No.	(4,200 x 2) + 5,300 x 2	(4,200 x 2) + 5,300 x 2	(4,200 x 2) x 2 + 5,300
	Starting Method		Direct On Line	Direct On Line	Direct On Line
	Oil Type		FVC68D(PVE)	FVC68D(PVE)	FVC68D(PVE)
Oil Charge		cc	8,800	8,800	9,800
Fan	Type		Propeller fan	Propeller fan	Propeller fan
	Motor Output x Number	W	(600 x 2) x 2 + 750	(600 x 2) x 2 + 750	(600 x 2) x 2 + 750
	Air Flow Rate(High)	m ³ /min	290 x 2 + 210	290 x 2 + 210	290 x 2 + 210
		ft ³ /min	10,241 x 2 + 7,416	10,241 x 2 + 7,416	10,241 x 2 + 7,416
	Drive		DC INVERTER	DC INVERTER	DC INVERTER
Discharge		Side / Top	TOP	TOP	TOP
Piping Connections	Liquid Pipes	mm(inch)	19.05(3/4)	19.05(3/4)	19.05(3/4)
	Low Pressure Gas Pipes	mm(inch)	41.3(1-5/8)	41.3(1-5/8)	41.3(1-5/8)
	High Pressure Gas Pipes	mm(inch)	34.9(1-3/8)	34.9(1-3/8)	34.9(1-3/8)
Dimensions(W x H x D)	mm		(1,240 x 1,680 x 760) x 2 + (920 x 1,680 x 760) x 1	(1,240 x 1,680 x 760) x 2 + (920 x 1,680 x 760) x 1	(1,240 x 1,680 x 760) x 2 + (920 x 1,680 x 760) x 1
	inch		(48-13/16 x 66-5/32 x 29-29/32) x 2 + (36-7/32 x 66-5/32 x 29-29/32) x 1	(48-13/16 x 66-5/32 x 29-29/32) x 2 + (36-7/32 x 66-5/32 x 29-29/32) x 1	(48-13/16 x 66-5/32 x 29-29/32) x 2 + (36-7/32 x 66-5/32 x 29-29/32) x 1
Net Weight	kg		280 x 1 + 245 x 1 + 208 x 1	280 x 1 + 245 x 1 + 208 x 1	280 x 2 + 208 x 1
	lbs		617 x 1 + 540 x 1 + 459 x 1	617 x 1 + 540 x 1 + 459 x 1	617 x 2 + 459 x 1
Sound Pressure Level	Cooling	dB(A)	63.9	63.9	64.1
	Heating	dB(A)	63.9	63.9	64.1
Sound Power Level		dB(A)	86.2	86.2	86.6
Protection Devices	High pressure protection	-	High pressure sensor / High pressure switch	High pressure sensor / High pressure switch	High pressure sensor / High pressure switch
	Comperssor/ Fan	-	Over-heat protection / Fan driver overload protector	Over-heat protection / Fan driver overload protector	Over-heat protection / Fan driver overload protector
	Inverter	-	Over-heat protection / Over-current protection	Over-heat protection / Over-current protection	Over-heat protection / Over-current protection
Communication Cable	No.xmm ² (VCTF-SB)		2C x 1.0 ~ 1.5	2C x 1.0 ~ 1.5	2C x 1.0 ~ 1.5
Refrigerant	Refrigerant name		R410A	R410A	R410A
	Precharged Amount	kg	(10.5 x 2) + 7.5	(10.5 x 2) + 7.5	(10.5 x 2) + 7.5
		lbs	(23.1 x 2) + 16.5	(23.1 x 2) + 16.5	(23.1 x 2) + 16.5
	t-CO2 eq	-	59.5	59.5	59.5
Control			Electronic Expansion Valve	Electronic Expansion Valve	Electronic Expansion Valve
Power Supply		V, Ø, Hz	380~415, 3, 50	380~415, 3, 50	380~415, 3, 50
Number of maxmum connectable indoor units ⁵⁾			380, 3, 60	380, 3, 60	380, 3, 60
			64	64	64

Notes:

- EUROVENT Test Condition : Type of indoor unit connected is only Ceiling Concealed Duct.
- Refer to EUROVENT certification regulation for more detail test conditions.
- Refer to EUROVENT website for test values connected Ceiling Cassette type indoors.
- Performances are based on the following conditions:
- Cooling Temperature : Indoor 27°C(80.6°F) DB / 19°C(66.2°F) WB
Outdoor 35°C(95°F) DB / 24°C(75.2°F) WB
- Heating Temperature : Indoor 20°C(68°F) DB / 15°C(59°F) WB
Outdoor 7°C(44.6°F) DB / 6°C(42.8°F) WB
- Piping Length : Interconnected Pipe Length = 7.5m
- Difference Limit of Elevation (Outdoor ~ Indoor Unit) is Zero.
- Wiring cable size must comply with the applicable local and national code.
- Sound Level Values can be increased owing to ambient conditions during operation.
- The numbers in parentheses means maximum connectable indoor units in accordance with

- outdoor units combination. The recommended ratio is 130%.
- ESEER calculation corresponds with below conditions and power input of indoor units is not included.
- Indoor temperature : 27°C(80.6°F) DB / 19°C(66.2°F) WB
- Outdoor temperature conditions.

Part Load Ratio	Outdoor Air Temp.(°C(°F)DB)	Weighting Coefficients
100%	35 (95)	0.03
75%	30 (86)	0.33
50%	25 (77)	0.41
25%	20 (68)	0.23

- Formula : 0.03 x EER_{100%} + 0.33 x EER_{75%} + 0.41 x EER_{50%} + 0.23 x EER_{25%}
- Due to our policy of innovation some specifications may be changed without notification.
- Power factor could vary less than ±1% according to the operating conditions.
- This product contains Fluorinated greenhouse gases.(R410A, GWP(Global warming potential) = 2087.5)

1. Specifications

[50Hz/60Hz]

HP			50	52	54
Model Name	Combination Unit		ARUB500LTE4	ARUB520LTE4	ARUB540LTE4
	Independent Unit		ARUB200LTE4	ARUB200LTE4	ARUB200LTE4
			ARUB200LTE4	ARUB200LTE4	ARUB200LTE4
			ARUB100LTE4	ARUB120LTE4	ARUB140LTE4
Capacity (Rated)	Cooling	kW	140.0	145.6	151.2
		Btu/h	477,800	496,900	516,000
	Heating	kW	157.5	163.8	170.1
		Btu/h	537,500	559,000	580,500
Input (Rated)	Cooling	kW	31.60	33.20	34.39
	Heating	kW	35.74	38.15	38.85
EER			4.43	4.39	4.40
ESEER			7.03	7.01	6.98
COP			4.41	4.29	4.38
Power Factor	Rated	-	0.93	0.93	0.93
Casing Color			Warm Gray /Morning Gray	Warm Gray /Morning Gray	Warm Gray /Morning Gray
Heat Exchanger			Gold fin	Gold fin	Gold fin
Compressor	Type		Hermetically Sealed Scroll	Hermetically Sealed Scroll	Hermetically Sealed Scroll
	Piston Displacement	cm ³ /rev	(43.8 x 2) x 2 + 62.1	(43.8 x 2) x 2 + 62.1	(43.8 x 2) x 2 + 62.1
	Number of Revolution	rev/min	(3,600 x 2) x 2 + 3,600	(3,600 x 2) x 2 + 3,600	(3,600 x 2) x 2 + 3,600
	Motor Output x Number	W x No.	(4,200 x 2) x 2 + 5,300	(4,200 x 2) x 2 + 5,300	(4,200 x 2) x 2 + 5,300
	Starting Method		Direct On Line	Direct On Line	Direct On Line
	Oil Type		FVC68D(PVE)	FVC68D(PVE)	FVC68D(PVE)
	Oil Charge	cc	9,800	9,800	9,800
Fan	Type		Propeller fan	Propeller fan	Propeller fan
	Motor Output x Number	W	(600 x 2) x 2 + 750	(600 x 2) x 2 + 750	(600 x 2) x 3
	Air Flow Rate(High)	m ³ /min	290 x 2 + 210	290 x 2 + 210	290 x 3
		ft ³ /min	10,241 x 2 + 7,416	10,241 x 2 + 7,416	10,241 x 3
	Drive		DC INVERTER	DC INVERTER	DC INVERTER
Discharge		Side / Top	TOP	TOP	TOP
Piping Connections	Liquid Pipes	mm(inch)	19.05(3/4)	19.05(3/4)	19.05(3/4)
	Low Pressure Gas Pipes	mm(inch)	41.3(1-5/8)	41.3(1-5/8)	41.3(1-5/8)
	High Pressure Gas Pipes	mm(inch)	34.9(1-3/8)	34.9(1-3/8)	34.9(1-3/8)
Dimensions(W x H x D)	mm		(1,240 x 1,680 x 760) x 2 + (920 x 1,680 x 760) x 1	(1,240 x 1,680 x 760) x 2 + (920 x 1,680 x 760) x 1	(1,240 x 1,680 x 760) x 3
	inch		(48-13/16 x 66-5/32 x 29-29/32) x 2 + (36-7/32 x 66-5/32 x 29-29/32) x 1	(48-13/16 x 66-5/32 x 29-29/32) x 2 + (36-7/32 x 66-5/32 x 29-29/32) x 1	(48-13/16 x 66-5/32 x 29-29/32) x 3
Net Weight	kg		280 x 2 + 208 x 1	280 x 2 + 208 x 1	280 x 2 + 245 x 1
	lbs		617 x 2 + 459 x 1	617 x 2 + 459 x 1	617 x 2 + 540 x 1
Sound Pressure Level	Cooling	dB(A)	64.1	64.1	64.1
	Heating	dB(A)	64.1	64.1	64.1
Sound Power Level		dB(A)	86.6	86.8	87.5
Protection Devices	High pressure protection	-	High pressure sensor / High pressure switch	High pressure sensor / High pressure switch	High pressure sensor / High pressure switch
	Comperssor/ Fan	-	Over-heat protection / Fan driver overload protector	Over-heat protection / Fan driver overload protector	Over-heat protection / Fan driver overload protector
	Inverter	-	Over-heat protection / Over-current protection	Over-heat protection / Over-current protection	Over-heat protection / Over-current protection
Communication Cable	No.xmm ² (VCTF-SB)		2C x 1.0 ~ 1.5	2C x 1.0 ~ 1.5	2C x 1.0 ~ 1.5
Refrigerant	Refrigerant name		R410A	R410A	R410A
	Precharged Amount	kg	(10.5 x 2) + 7.5	(10.5 x 2) + 7.5	10.5 x 3
		lbs	(23.1 x 2) + 16.5	(23.1 x 2) + 16.5	23.1 x 3
	t-CO2 eq	-	59.5	59.5	65.8
Control			Electronic Expansion Valve	Electronic Expansion Valve	Electronic Expansion Valve
Power Supply		V, Ø, Hz	380~415, 3, 50	380~415, 3, 50	380~415, 3, 50
Number of maximum connectable indoor units ⁵⁾			64	64	64

Notes:

- EUROVENT Test Condition : Type of indoor unit connected is only Ceiling Concealed Duct.
- Refer to EUROVENT certification regulation for more detail test conditions.
- Refer to EUROVENT website for test values connected Ceiling Cassette type indoors.
- Performances are based on the following conditions :
- Cooling Temperature : Indoor 27°C(80.6°F) DB / 19°C(66.2°F) WB
Outdoor 35°C(95°F) DB / 24°C(75.2°F) WB
- Heating Temperature : Indoor 20°C(68°F) DB / 15°C(59°F) WB
Outdoor 7°C(44.6°F) DB / 6°C(42.8°F) WB
- Piping Length : Interconnected Pipe Length = 7.5m
- Difference Limit of Elevation (Outdoor ~ Indoor Unit) is Zero.
- Wiring cable size must comply with the applicable local and national code.
- Sound Level Values can be increased owing to ambient conditions during operation.
- The numbers in parentheses means maximum connectable indoor units in accordance with

- outdoor units combination. The recommended ratio is 130%.
- ESEER calculation corresponds with below conditions and power input of indoor units is not included.
- Indoor temperature : 27°C(80.6°F) DB / 19°C(66.2°F) WB
- Outdoor temperature conditions.

Part Load Ratio	Outdoor Air Temp.(°C(°F)DB)	Weighting Coefficients
100%	35 (95)	0.03
75%	30 (86)	0.33
50%	25 (77)	0.41
25%	20 (68)	0.23

- Formula : 0.03 x EER_{100%} + 0.33 x EER_{75%} + 0.41 x EER_{50%} + 0.23 x EER_{25%}
- Due to our policy of innovation some specifications may be changed without notification.
- Power factor could vary less than ±1% according to the operating conditions.
- This product contains Fluorinated greenhouse gases.(R410A, GWP(Global warming potential) = 2087.5)

1. Specifications

[50Hz/60Hz]

HP		56	58	60	
Model Name	Combination Unit	ARUB560LTE4	ARUB580LTE4	ARUB600LTE4	
	Independent Unit	ARUB200LTE4	ARUB200LTE4	ARUB200LTE4	
		ARUB200LTE4	ARUB200LTE4	ARUB200LTE4	
		ARUB160LTE4	ARUB180LTE4	ARUB200LTE4	
Capacity (Rated)	Cooling	kW	156.8	162.4	168.0
		Btu/h	535,100	554,200	573,300
	Heating	kW	176.0	182.7	189.0
		Btu/h	600,500	623,500	645,000
Input (Rated)	Cooling	kW	36.52	36.55	38.43
	Heating	kW	40.94	42.45	44.46
EER			4.29	4.44	4.37
ESEER			6.94	6.91	6.78
COP			4.30	4.30	4.25
Power Factor	Rated	-	0.93	0.93	0.93
Casing Color		Warm Gray /Morning Gray	Warm Gray /Morning Gray	Warm Gray /Morning Gray	
Heat Exchanger		Gold fin	Gold fin	Gold fin	
Compressor	Type	Hermetically Sealed Scroll	Hermetically Sealed Scroll	Hermetically Sealed Scroll	
	Piston Displacement	cm ³ /rev	(43.8 x 2) x 2 + 62.1	(43.8 x 2) x 3	(43.8 x 2) x 3
	Number of Revolution	rev/min	(3,600 x 2) x 2 + 3,600	(3,600 x 2) x 3	(3,600 x 2) x 3
	Motor Output x Number	W x No.	(4,200 x 2) x 2 + 5,300	(4,200 x 2) x 3	(4,200 x 2) x 3
	Starting Method		Direct On Line	Direct On Line	Direct On Line
	Oil Type		FVC68D(PVE)	FVC68D(PVE)	FVC68D(PVE)
Oil Charge	cc	9,800	10,800	10,800	
Fan	Type	Propeller fan	Propeller fan	Propeller fan	
	Motor Output x Number	W	(600 x 2) x 3	(600 x 2) x 3	(600 x 2) x 3
	Air Flow Rate(High)	m ³ /min	290 x 3	290 x 3	290 x 3
		ft ³ /min	10,241 x 3	10,241 x 3	10,241 x 3
	Drive		DC INVERTER	DC INVERTER	DC INVERTER
Discharge	Side / Top	TOP	TOP	TOP	
Piping Connections	Liquid Pipes	mm(inch)	19.05(3/4)	19.05(3/4)	19.05(3/4)
	Low Pressure Gas Pipes	mm(inch)	41.3(1-5/8)	41.3(1-5/8)	41.3(1-5/8)
	High Pressure Gas Pipes	mm(inch)	34.9(1-3/8)	34.9(1-3/8)	34.9(1-3/8)
Dimensions(W x H x D)		mm	(1,240 x 1,680 x 760) x 3	(1,240 x 1,680 x 760) x 3	(1,240 x 1,680 x 760) x 3
		inch	(48-13/16 x 66-5/32 x 29-29/32) x 3	(48-13/16 x 66-5/32 x 29-29/32) x 3	(48-13/16 x 66-5/32 x 29-29/32) x 3
Net Weight		kg	280 x 2 + 245 x 1	280 x 3	280 x 3
		lbs	617 x 2 + 540 x 1	617 x 3	617 x 3
Sound Pressure Level	Cooling	dB(A)	64.1	64.3	64.3
	Heating	dB(A)	64.1	64.3	64.3
Sound Power Level		dB(A)	87.5	87.8	87.8
Protection Devices	High pressure protection	-	High pressure sensor / High pressure switch	High pressure sensor / High pressure switch	High pressure sensor / High pressure switch
	Compressor/ Fan	-	Over-heat protection / Fan driver overload protector	Over-heat protection / Fan driver overload protector	Over-heat protection / Fan driver overload protector
	Inverter	-	Over-heat protection / Over-current protection	Over-heat protection / Over-current protection	Over-heat protection / Over-current protection
Communication Cable	No. x mm ² (VCTF-SB)		2C x 1.0 ~ 1.5	2C x 1.0 ~ 1.5	2C x 1.0 ~ 1.5
Refrigerant	Refrigerant name		R410A	R410A	R410A
	Precharged Amount	kg	10.5 x 3	10.5 x 3	10.5 x 3
		lbs	23.1 x 3	23.1 x 3	23.1 x 3
	t-CO ₂ eq	-	65.8	65.8	65.8
Control		Electronic Expansion Valve	Electronic Expansion Valve	Electronic Expansion Valve	
Power Supply	V, Ø, Hz		380~415, 3, 50	380~415, 3, 50	380~415, 3, 50
			380, 3, 60	380, 3, 60	380, 3, 60
Number of maximum connectable indoor units ⁵⁾			64	64	64

Notes:

- EUROVENT Test Condition : Type of indoor unit connected is only Ceiling Concealed Duct.
- Refer to EUROVENT certification regulation for more detail test conditions.
- Refer to EUROVENT website for test values connected Ceiling Cassette type indoors.
- Performances are based on the following conditions :
- Cooling Temperature : Indoor 27°C(80.6°F) DB / 19°C(66.2°F) WB
Outdoor 35°C(95°F) DB / 24°C(75.2°F) WB
- Heating Temperature : Indoor 20°C(68°F) DB / 15°C(59°F) WB
Outdoor 7°C(44.6°F) DB / 6°C(42.8°F) WB
- Piping Length : Interconnected Pipe Length = 7.5m
- Difference Limit of Elevation (Outdoor ~ Indoor Unit) is Zero.
- Wiring cable size must comply with the applicable local and national code.
- Sound Level Values can be increased owing to ambient conditions during operation.
- The numbers in parentheses means maximum connectable indoor units in accordance with

- outdoor units combination. The recommended ratio is 130%.
- ESEER calculation corresponds with below conditions and power input of indoor units is not included.
- Indoor temperature : 27°C(80.6°F) DB / 19°C(66.2°F) WB
- Outdoor temperature conditions.

Part Load Ratio	Outdoor Air Temp.(°C/°F)DB	Weighting Coefficients
100%	35 (95)	0.03
75%	30 (86)	0.33
50%	25 (77)	0.41
25%	20 (68)	0.23

- Formula : 0.03 x EER_{100%} + 0.33 x EER_{75%} + 0.41 x EER_{50%} + 0.23 x EER_{25%}
- Due to our policy of innovation some specifications may be changed without notification.
 - Power factor could vary less than ±1% according to the operating conditions.
 - This product contains Fluorinated greenhouse gases.(R410A, GWP(Global warming potential) = 2087.5)

1. Specifications

[50Hz/60Hz]

HP		62	64	66	
Model Name	Combination Unit	ARUB620LTE4	ARUB640LTE4	ARUB660LTE4	
	Independent Unit	ARUB180LTE4	ARUB180LTE4	ARUB180LTE4	
		ARUB160LTE4	ARUB180LTE4	ARUB180LTE4	
		ARUB140LTE4	ARUB140LTE4	ARUB160LTE4	
		ARUB140LTE4	ARUB140LTE4	ARUB140LTE4	
Capacity (Rated)	Cooling	kW	173.6	179.2	184.8
		Btu/h	592,500	611,600	630,700
	Heating	kW	194.9	201.6	207.5
		Btu/h	665,000	688,000	708,000
Input (Rated)	Cooling	kW	39.37	39.40	41.53
	Heating	kW	42.53	44.04	46.13
EER			4.41	4.55	4.45
ESEER			7.30	7.27	7.25
COP			4.58	4.58	4.50
Power Factor	Rated	-	0.93	0.93	0.93
Casing Color		Warm Gray /Morning Gray	Warm Gray /Morning Gray	Warm Gray /Morning Gray	
Heat Exchanger		Gold fin	Gold fin	Gold fin	
Compressor	Type	Hermetically Sealed Scroll	Hermetically Sealed Scroll	Hermetically Sealed Scroll	
	Piston Displacement	cm ³ /rev	(43.8 x 2) + 62.1 x 3	(43.8 x 2) x 2 + 62.1 x 2	(43.8 x 2) x 2 + 62.1 x 2
	Number of Revolution	rev/min	(3,600 x 2) + 3,600 x 3	(3,600 x 2) x 2 + 3,600 x 2	(3,600 x 2) x 2 + 3,600 x 2
	Motor Output x Number	W x No.	(4,200 x 2) + 5,300 x 3	(4,200 x 2) x 2 + 5,300 x 2	(4,200 x 2) x 2 + 5,300 x 2
	Starting Method		Direct On Line	Direct On Line	Direct On Line
	Oil Type		FVC68D(PVE)	FVC68D(PVE)	FVC68D(PVE)
Oil Charge	cc	11,400	12,400	12,400	
Fan	Type	Propeller fan	Propeller fan	Propeller fan	
	Motor Output x Number	W	(600 x 2) x 4	(600 x 2) x 4	(600 x 2) x 4
	Air Flow Rate(High)	m ³ /min	290 x 4	290 x 4	290 x 4
		ft ³ /min	10,241 x 4	10,241 x 4	10,241 x 4
	Drive		DC INVERTER	DC INVERTER	DC INVERTER
Discharge	Side / Top	TOP	TOP	TOP	
Piping Connections	Liquid Pipes	mm(inch)	22.2(7/8)	22.2(7/8)	22.2(7/8)
	Low Pressure Gas Pipes	mm(inch)	44.5(1-3/4)	44.5(1-3/4)	53.98(2-1/8)
	High Pressure Gas Pipes	mm(inch)	41.3(1-5/8)	41.3(1-5/8)	44.5(1-3/4)
Dimensions(W x H x D)		mm	(1,240 x 1,680 x 760) x 4	(1,240 x 1,680 x 760) x 4	(1,240 x 1,680 x 760) x 4
		inch	(48-13/16 x 66-5/32 x 29-29/32) x 4	(48-13/16 x 66-5/32 x 29-29/32) x 4	(48-13/16 x 66-5/32 x 29-29/32) x 4
Net Weight		kg	280 x 1 + 245 x 3	280 x 2 + 245 x 2	280 x 2 + 245 x 2
		lbs	617 x 1 + 540 x 3	617 x 2 + 540 x 2	617 x 2 + 540 x 2
Sound Pressure Level	Cooling	dB(A)	65.2	65.3	65.3
	Heating	dB(A)	65.2	65.3	65.3
Sound Power Level		dB(A)	88.3	88.5	88.5
Protection Devices	High pressure protection	-	High pressure sensor / High pressure switch	High pressure sensor / High pressure switch	High pressure sensor / High pressure switch
	Compressor/ Fan	-	Over-heat protection / Fan driver overload protector	Over-heat protection / Fan driver overload protector	Over-heat protection / Fan driver overload protector
	Inverter	-	Over-heat protection / Over-current protection	Over-heat protection / Over-current protection	Over-heat protection / Over-current protection
Communication Cable	No. x mm ² (VCTF-SB)		2C x 1.0 ~ 1.5	2C x 1.0 ~ 1.5	2C x 1.0 ~ 1.5
Refrigerant	Refrigerant name		R410A	R410A	R410A
	Precharged Amount	kg	10.5 x 4	10.5 x 4	10.5 x 4
		lbs	23.1 x 4	23.1 x 4	23.1 x 4
	t-CO ₂ eq	-	87.7	87.7	87.7
Control		Electronic Expansion Valve	Electronic Expansion Valve	Electronic Expansion Valve	
Power Supply	V, Ø, Hz		380~415, 3, 50	380~415, 3, 50	380~415, 3, 50
			380, 3, 60	380, 3, 60	380, 3, 60
Number of maximum connectable indoor units ⁵⁾			64	64	64

Notes:

- EUROVENT Test Condition : Type of indoor unit connected is only Ceiling Concealed Duct.
- Refer to EUROVENT certification regulation for more detail test conditions.
- Refer to EUROVENT website for test values connected Ceiling Cassette type indoors.
- Performances are based on the following conditions :
- Cooling Temperature : Indoor 27°C(80.6°F) DB / 19°C(66.2°F) WB
Outdoor 35°C(95°F) DB / 24°C(75.2°F) WB
- Heating Temperature : Indoor 20°C(68°F) DB / 15°C(59°F) WB
Outdoor 7°C(44.6°F) DB / 6°C(42.8°F) WB
- Piping Length : Interconnected Pipe Length = 7.5m
- Difference Limit of Elevation (Outdoor ~ Indoor Unit) is Zero.
- Wiring cable size must comply with the applicable local and national code.
- Sound Level Values can be increased owing to ambient conditions during operation.
- The numbers in parentheses means maximum connectable indoor units in accordance with

- outdoor units combination. The recommended ratio is 130%.
- ESEER calculation corresponds with below conditions and power input of indoor units is not included.
- Indoor temperature : 27°C(80.6°F) DB / 19°C(66.2°F) WB
- Outdoor temperature conditions.

Part Load Ratio	Outdoor Air Temp.(°C(°F)DB)	Weighting Coefficients
100%	35 (95)	0.03
75%	30 (86)	0.33
50%	25 (77)	0.41
25%	20 (68)	0.23

- Formula : 0.03 x EER_{100%} + 0.33 x EER_{75%} + 0.41 x EER_{50%} + 0.23 x EER_{25%}
- Due to our policy of innovation some specifications may be changed without notification.
- Power factor could vary less than ±1% according to the operating conditions.
- This product contains Fluorinated greenhouse gases.(R410A, GWP(Global warming potential) = 2087.5)

1. Specifications

[50Hz/60Hz]

HP		68	70	72	
Model Name	Combination Unit	ARUB680LTE4	ARUB700LTE4	ARUB720LTE4	
	Independent Unit	ARUB200LTE4	ARUB200LTE4	ARUB200LTE4	
		ARUB200LTE4	ARUB200LTE4	ARUB200LTE4	
		ARUB140LTE4	ARUB160LTE4	ARUB180LTE4	
Capacity (Rated)	Cooling	kW	190.4	196.0	201.6
		Btu/h	649,800	668,900	688,000
	Heating	kW	214.2	220.1	226.8
		Btu/h	731,000	751,000	774,000
Input (Rated)	Cooling	kW	43.16	45.29	45.32
	Heating	kW	48.06	50.15	51.66
EER			4.41	4.33	4.45
ESEER			7.08	7.05	7.03
COP			4.46	4.39	4.39
Power Factor	Rated	-	0.93	0.93	0.93
Casing Color		Warm Gray /Morning Gray	Warm Gray /Morning Gray	Warm Gray /Morning Gray	
Heat Exchanger		Gold fin	Gold fin	Gold fin	
Compressor	Type	Hermetically Sealed Scroll	Hermetically Sealed Scroll	Hermetically Sealed Scroll	
	Piston Displacement	cm ³ /rev	(43.8 x 2) x 2 + 62.1 x 2	(43.8 x 2) x 2 + 62.1 x 2	(43.8 x 2) x 3 + 62.1
	Number of Revolution	rev/min	(3,600 x 2) x 2 + 3,600 x 2	(3,600 x 2) x 2 + 3,600 x 2	(3,600 x 2) x 3 + 3,600
	Motor Output x Number	W x No.	(4,200 x 2) x 2 + 5,300 x 2	(4,200 x 2) x 2 + 5,300 x 2	(4,200 x 2) x 3 + 5,300
	Starting Method		Direct On Line	Direct On Line	Direct On Line
	Oil Type		FVC68D(PVE)	FVC68D(PVE)	FVC68D(PVE)
Oil Charge	cc	12,400	12,400	13,400	
Fan	Type	Propeller fan	Propeller fan	Propeller fan	
	Motor Output x Number	W	(600 x 2) x 4	(600 x 2) x 4	(600 x 2) x 4
	Air Flow Rate(High)	m ³ /min	290 x 4	290 x 4	290 x 4
		ft ³ /min	10,241 x 4	10,241 x 4	10,241 x 4
	Drive		DC INVERTER	DC INVERTER	DC INVERTER
Discharge	Side / Top	TOP	TOP	TOP	
Piping Connections	Liquid Pipes	mm(inch)	22.2(7/8)	22.2(7/8)	22.2(7/8)
	Low Pressure Gas Pipes	mm(inch)	53.98(2-1/8)	53.98(2-1/8)	53.98(2-1/8)
	High Pressure Gas Pipes	mm(inch)	44.5(1-3/4)	44.5(1-3/4)	44.5(1-3/4)
Dimensions(W x H x D)	mm	(1,240 x 1,680 x 760) x 4	(1,240 x 1,680 x 760) x 4	(1,240 x 1,680 x 760) x 4	
	inch	(48-13/16 x 66-5/32 x 29-29/32) x 4	(48-13/16 x 66-5/32 x 29-29/32) x 4	(48-13/16 x 66-5/32 x 29-29/32) x 4	
Net Weight	kg	280 x 2 + 245 x 2	280 x 2 + 245 x 2	280 x 3 + 245 x 1	
	lbs	617 x 2 + 540 x 2	617 x 2 + 540 x 2	617 x 3 + 540 x 1	
Sound Pressure Level	Cooling	dB(A)	65.3	65.3	65.4
	Heating	dB(A)	65.3	65.3	65.4
Sound Power Level		dB(A)	88.5	88.5	88.8
Protection Devices	High pressure protection	-	High pressure sensor / High pressure switch	High pressure sensor / High pressure switch	High pressure sensor / High pressure switch
	Compressor/ Fan	-	Over-heat protection / Fan driver overload protector	Over-heat protection / Fan driver overload protector	Over-heat protection / Fan driver overload protector
	Inverter	-	Over-heat protection / Over-current protection	Over-heat protection / Over-current protection	Over-heat protection / Over-current protection
Communication Cable	No.xmm ² (VCTF-SB)	2C x 1.0 ~ 1.5	2C x 1.0 ~ 1.5	2C x 1.0 ~ 1.5	
Refrigerant	Refrigerant name		R410A	R410A	R410A
	Precharged Amount	kg	10.5 x 4	10.5 x 4	10.5 x 4
		lbs	23.1 x 4	23.1 x 4	23.1 x 4
	t-CO2 eq	-	87.7	87.7	87.7
Control		Electronic Expansion Valve	Electronic Expansion Valve	Electronic Expansion Valve	
Power Supply	V, Ø, Hz		380~415, 3, 50	380~415, 3, 50	380~415, 3, 50
			380, 3, 60	380, 3, 60	380, 3, 60
Number of maximum connectable indoor units ⁵⁾			64	64	64

Notes:

- EUROVENT Test Condition : Type of indoor unit connected is only Ceiling Concealed Duct.
- Refer to EUROVENT certification regulation for more detail test conditions.
- Refer to EUROVENT website for test values connected Ceiling Cassette type indoors.
- Performances are based on the following conditions :
- Cooling Temperature : Indoor 27°C(80.6°F) DB / 19°C(66.2°F) WB
Outdoor 35°C(95°F) DB / 24°C(75.2°F) WB
- Heating Temperature : Indoor 20°C(68°F) DB / 15°C(59°F) WB
Outdoor 7°C(44.6°F) DB / 6°C(42.8°F) WB
- Piping Length : Interconnected Pipe Length = 7.5m
- Difference Limit of Elevation (Outdoor ~ Indoor Unit) is Zero.
- Wiring cable size must comply with the applicable local and national code.
- Sound Level Values can be increased owing to ambient conditions during operation.
- The numbers in parentheses means maximum connectable indoor units in accordance with

- outdoor units combination. The recommended ratio is 130%.
- ESEER calculation corresponds with below conditions and power input of indoor units is not included.
- Indoor temperature : 27°C(80.6°F) DB / 19°C(66.2°F) WB
- Outdoor temperature conditions.

Part Load Ratio	Outdoor Air Temp.(°C(°F)DB)	Weighting Coefficients
100%	35 (95)	0.03
75%	30 (86)	0.33
50%	25 (77)	0.41
25%	20 (68)	0.23

- Formula : 0.03 x EER_{100%} + 0.33 x EER_{75%} + 0.41 x EER_{50%} + 0.23 x EER_{25%}
- 7. Due to our policy of innovation some specifications may be changed without notification.
- 8. Power factor could vary less than ±1% according to the operating conditions.
- 9. This product contains Fluorinated greenhouse gases.(R410A, GWP(Global warming potential) = 2087.5)

1. Specifications

[50Hz/60Hz]

Outdoor Units

HP			74	76
Model Name	Combination Unit		ARUB740LTE4	ARUB760LTE4
	Independent Unit		ARUB200LTE4	ARUB200LTE4
			ARUB200LTE4	ARUB200LTE4
			ARUB180LTE4	ARUB180LTE4
			ARUB160LTE4	ARUB180LTE4
Capacity (Rated)	Cooling	kW	207.2	212.8
		Btu/h	707,100	726,200
	Heating	kW	232.7	239.4
		Btu/h	794,000	817,000
Input (Rated)	Cooling	kW	47.45	47.48
	Heating	kW	53.75	55.26
EER			4.37	4.48
ESEER			7.00	6.98
COP			4.33	4.33
Power Factor	Rated	-	0.93	0.93
Casing Color			Warm Gray /Morning Gray	Warm Gray /Morning Gray
Heat Exchanger			Gold fin	Gold fin
Compressor	Type		Hermetically Sealed Scroll	Hermetically Sealed Scroll
	Piston Displacement	cm ³ /rev	(43.8 x 2) x 3 + 62.1	(43.8 x 2) x 4
	Number of Revolution	rev/min	(3,600 x 2) x 3 + 3,600	(3,600 x 2) x 4
	Motor Output x Number	W x No.	(4,200 x 2) x 3 + 5,300	(4,200 x 2) x 4
	Starting Method		Direct On Line	Direct On Line
	Oil Type		FVC68D(PVE)	FVC68D(PVE)
Oil Charge		cc	13,400	14,400
Fan	Type		Propeller fan	Propeller fan
	Motor Output x Number	W	(600 x 2) x 4	(600 x 2) x 4
	Air Flow Rate(High)	m ³ /min	290 x 4	290 x 4
		ft ³ /min	10,241 x 4	10,241 x 4
	Drive		DC INVERTER	DC INVERTER
Discharge		Side / Top	TOP	TOP
Piping Connections	Liquid Pipes	mm(inch)	22.2(7/8)	22.2(7/8)
	Low Pressure Gas Pipes	mm(inch)	53.98(2-1/8)	53.98(2-1/8)
	High Pressure Gas Pipes	mm(inch)	44.5(1-3/4)	44.5(1-3/4)
Dimensions(W x H x D)		mm	(1,240 x 1,680 x 760) x 4	(1,240 x 1,680 x 760) x 4
		inch	(48-13/16 x 66-5/32 x 29-29/32) x 4	(48-13/16 x 66-5/32 x 29-29/32) x 4
Net Weight			kg	280 x 3 + 245 x 1
			lbs	617 x 3 + 540 x 1
Sound Pressure Level	Cooling	dB(A)	65.4	65.5
	Heating	dB(A)	65.4	65.5
Sound Power Level		dB(A)	88.8	89.0
Protection Devices	High pressure protection	-	High pressure sensor / High pressure switch	High pressure sensor / High pressure switch
	Compressor/ Fan	-	Over-heat protection / Fan driver overload protector	Over-heat protection / Fan driver overload protector
	Inverter	-	Over-heat protection / Over-current protection	Over-heat protection / Over-current protection
Communication Cable	No. x mm ² (VCTF-SB)		2C x 1.0 ~ 1.5	2C x 1.0 ~ 1.5
Refrigerant	Refrigerant name		R410A	R410A
	Precharged Amount	kg	10.5 x 4	10.5 x 4
		lbs	23.1 x 4	23.1 x 4
	t-CO2 eq	-	87.7	87.7
Control			Electronic Expansion Valve	Electronic Expansion Valve
Power Supply		V, Ø, Hz	380~415, 3, 50 380, 3, 60	380~415, 3, 50 380, 3, 60
Number of maximum connectable indoor units ⁵⁾			64	64

Notes:

- EUROVENT Test Condition : Type of indoor unit connected is only Ceiling Concealed Duct.
- Refer to EUROVENT certification regulation for more detail test conditions.
- Refer to EUROVENT website for test values connected Ceiling Cassette type indoors.
- Performances are based on the following conditions :
- Cooling Temperature : Indoor 27°C(80.6°F) DB / 19°C(66.2°F) WB
Outdoor 35°C(95°F) DB / 24°C(75.2°F) WB
- Heating Temperature : Indoor 20°C(68°F) DB / 15°C(59°F) WB
Outdoor 7°C(44.6°F) DB / 6°C(42.8°F) WB
- Piping Length : Interconnected Pipe Length = 7.5m
- Difference Limit of Elevation (Outdoor ~ Indoor Unit) is Zero.
- Wiring cable size must comply with the applicable local and national code.
- Sound Level Values can be increased owing to ambient conditions during operation.
- The numbers in parentheses means maximum connectable indoor units in accordance with

- outdoor units combination. The recommended ratio is 130%.
- ESEER calculation corresponds with below conditions and power input of indoor units is not included.
- Indoor temperature : 27°C(80.6°F) DB / 19°C(66.2°F) WB
- Outdoor temperature conditions.

Part Load Ratio	Outdoor Air Temp.(°C(°F)DB)	Weighting Coefficients
100%	35 (95)	0.03
75%	30 (86)	0.33
50%	25 (77)	0.41
25%	20 (68)	0.23

- Formula : 0.03 x EER_{100%} + 0.33 x EER_{75%} + 0.41 x EER_{50%} + 0.23 x EER_{25%}
- 7. Due to our policy of innovation some specifications may be changed without notification.
- 8. Power factor could vary less than ±1% according to the operating conditions.
- 9. This product contains Fluorinated greenhouse gases.(R410A, GWP(Global warming potential) = 2087.5)

1. Specifications

[50Hz/60Hz]

HP			78	80
Model Name	Combination Unit		ARUB780LTE4	ARUB800LTE4
	Independent Unit		ARUB200LTE4	ARUB200LTE4
			ARUB200LTE4	ARUB200LTE4
			ARUB200LTE4	ARUB200LTE4
			ARUB180LTE4	ARUB200LTE4
Capacity (Rated)	Cooling	kW	218.4	224.0
		Btu/h	745,300	764,400
	Heating	kW	245.7	252.0
		Btu/h	838,500	860,000
Input (Rated)	Cooling	kW	49.36	51.24
	Heating	kW	57.27	59.28
EER			4.42	4.37
ESEER			6.88	6.78
COP			4.29	4.25
Power Factor	Rated	-	0.93	0.93
Casing Color			Warm Gray /Morning Gray	Warm Gray /Morning Gray
Heat Exchanger			Gold fin	Gold fin
Compressor	Type		Hermetically Sealed Scroll	Hermetically Sealed Scroll
	Piston Displacement	cm ³ /rev	(43.8 x 2) x 4	(43.8 x 2) x 4
	Number of Revolution	rev/min	(3,600 x 2) x 4	(3,600 x 2) x 4
	Motor Output x Number	W x No.	(4,200 x 2) x 4	(4,200 x 2) x 4
	Starting Method		Direct On Line	Direct On Line
	Oil Type		FVC68D(PVE)	FVC68D(PVE)
	Oil Charge	cc	14,400	14,400
Fan	Type		Propeller fan	Propeller fan
	Motor Output x Number	W	(600 x 2) x 4	(600 x 2) x 4
	Air Flow Rate(High)	m ³ /min	290 x 4	290 x 4
		ft ³ /min	10,241 x 4	10,241 x 4
	Drive		DC INVERTER	DC INVERTER
Discharge		Side / Top	TOP	
Piping Connections	Liquid Pipes	mm(inch)	22.2(7/8)	22.2(7/8)
	Low Pressure Gas Pipes	mm(inch)	53.98(2-1/8)	53.98(2-1/8)
	High Pressure Gas Pipes	mm(inch)	44.5(1-3/4)	44.5(1-3/4)
Dimensions(W x H x D)		mm	(1,240 x 1,680 x 760) x 4	(1,240 x 1,680 x 760) x 4
		inch	(48-13/16 x 66-5/32 x 29-29/32) x 4	(48-13/16 x 66-5/32 x 29-29/32) x 4
Net Weight			kg	280 x 4
			lbs	617 x 4
Sound Pressure Level	Cooling	dB(A)	65.5	65.5
	Heating	dB(A)	65.5	65.5
Sound Power Level		dB(A)	89.0	89.0
Protection Devices	High pressure protection	-	High pressure sensor / High pressure switch	High pressure sensor / High pressure switch
	Compressor/ Fan	-	Over-heat protection / Fan driver overload protector	Over-heat protection / Fan driver overload protector
	Inverter	-	Over-heat protection / Over-current protection	Over-heat protection / Over-current protection
Communication Cable	No. x mm ² (VCTF-SB)		2C x 1.0 ~ 1.5	2C x 1.0 ~ 1.5
Refrigerant	Refrigerant name		R410A	R410A
	Precharged Amount	kg	10.5 x 4	10.5 x 4
		lbs	23.1 x 4	23.1 x 4
	t-CO2 eq	-	87.7	87.7
Control			Electronic Expansion Valve	Electronic Expansion Valve
Power Supply		V, Ø, Hz	380~415, 3, 50	380~415, 3, 50
			380, 3, 60	380, 3, 60
Number of maximum connectable indoor units ⁵⁾			64	64

Notes:

- EUROVENT Test Condition : Type of indoor unit connected is only Ceiling Concealed Duct.
- Refer to EUROVENT certification regulation for more detail test conditions.
- Refer to EUROVENT website for test values connected Ceiling Cassette type indoors.
- Performances are based on the following conditions :
- Cooling Temperature : Indoor 27°C(80.6°F) DB / 19°C(66.2°F) WB
Outdoor 35°C(95°F) DB / 24°C(75.2°F) WB
- Heating Temperature : Indoor 20°C(68°F) DB / 15°C(59°F) WB
Outdoor 7°C(44.6°F) DB / 6°C(42.8°F) WB
- Piping Length : Interconnected Pipe Length = 7.5m
- Difference Limit of Elevation (Outdoor ~ Indoor Unit) is Zero.
- Wiring cable size must comply with the applicable local and national code.
- Sound Level Values can be increased owing to ambient conditions during operation.
- The numbers in parentheses means maximum connectable indoor units in accordance with

- outdoor units combination. The recommended ratio is 130%.
- ESEER calculation corresponds with below conditions and power input of indoor units is not included.
- Indoor temperature : 27°C(80.6°F) DB / 19°C(66.2°F) WB
- Outdoor temperature conditions.

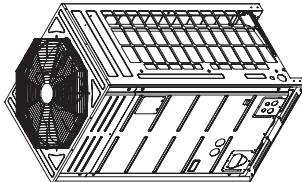
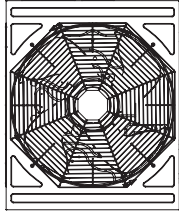
Part Load Ratio	Outdoor Air Temp.(°C(°F)DB)	Weighting Coefficients
100%	35 (95)	0.03
75%	30 (86)	0.33
50%	25 (77)	0.41
25%	20 (68)	0.23

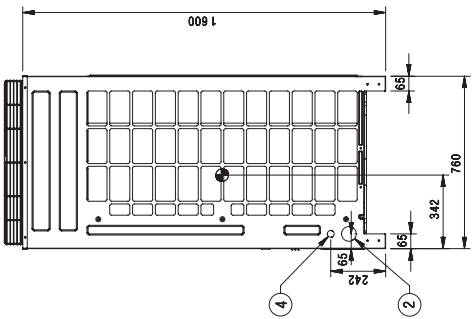
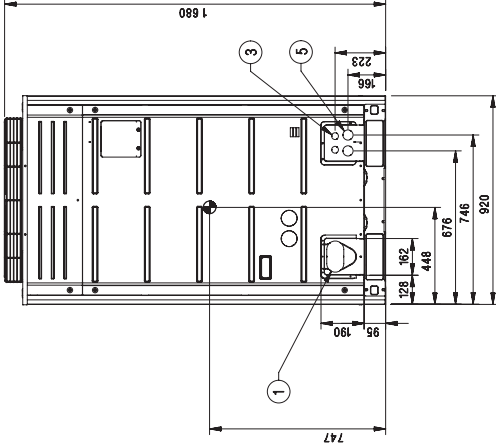
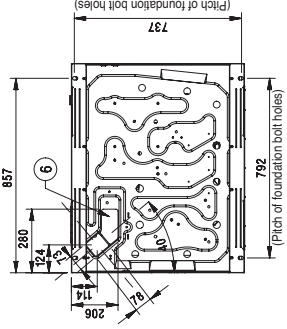
- Formula : 0.03 x EER_{100%} + 0.33 x EER_{75%} + 0.41 x EER_{50%} + 0.23 x EER_{25%}
- 7. Due to our policy of innovation some specifications may be changed without notification.
- 8. Power factor could vary less than ±1% according to the operating conditions.
- 9. This product contains Fluorinated greenhouse gases.(R410A, GWP(Global warming potential) = 2087.5)

2. Dimensions

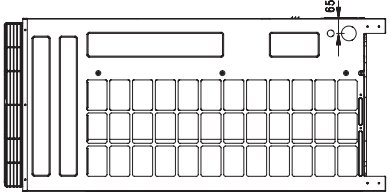
UX2

ARUB080LTE4
ARUB100LTE4
ARUB120LTE4

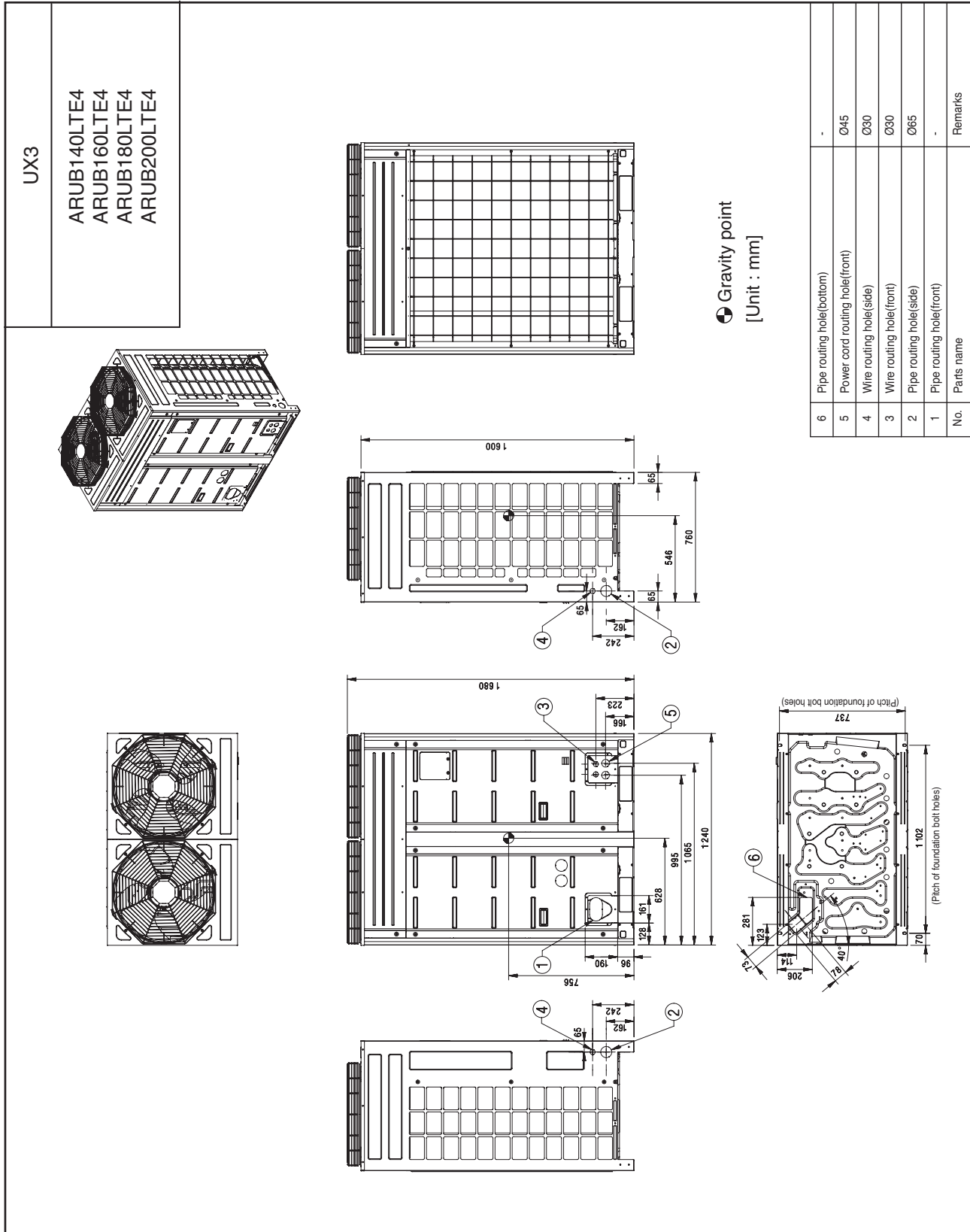




Gravity point
[Unit : mm]



6	Pipe routing hole(bottom)	-	Remarks
5	Power cord routing hole(front)	Ø45	
4	Wire routing hole(side)	Ø30	
3	Wire routing hole(front)	Ø30	
2	Pipe routing hole(side)	Ø65	
1	Pipe routing hole(front)	-	
No.	Parts name		

2. Dimensions



2. Dimensions

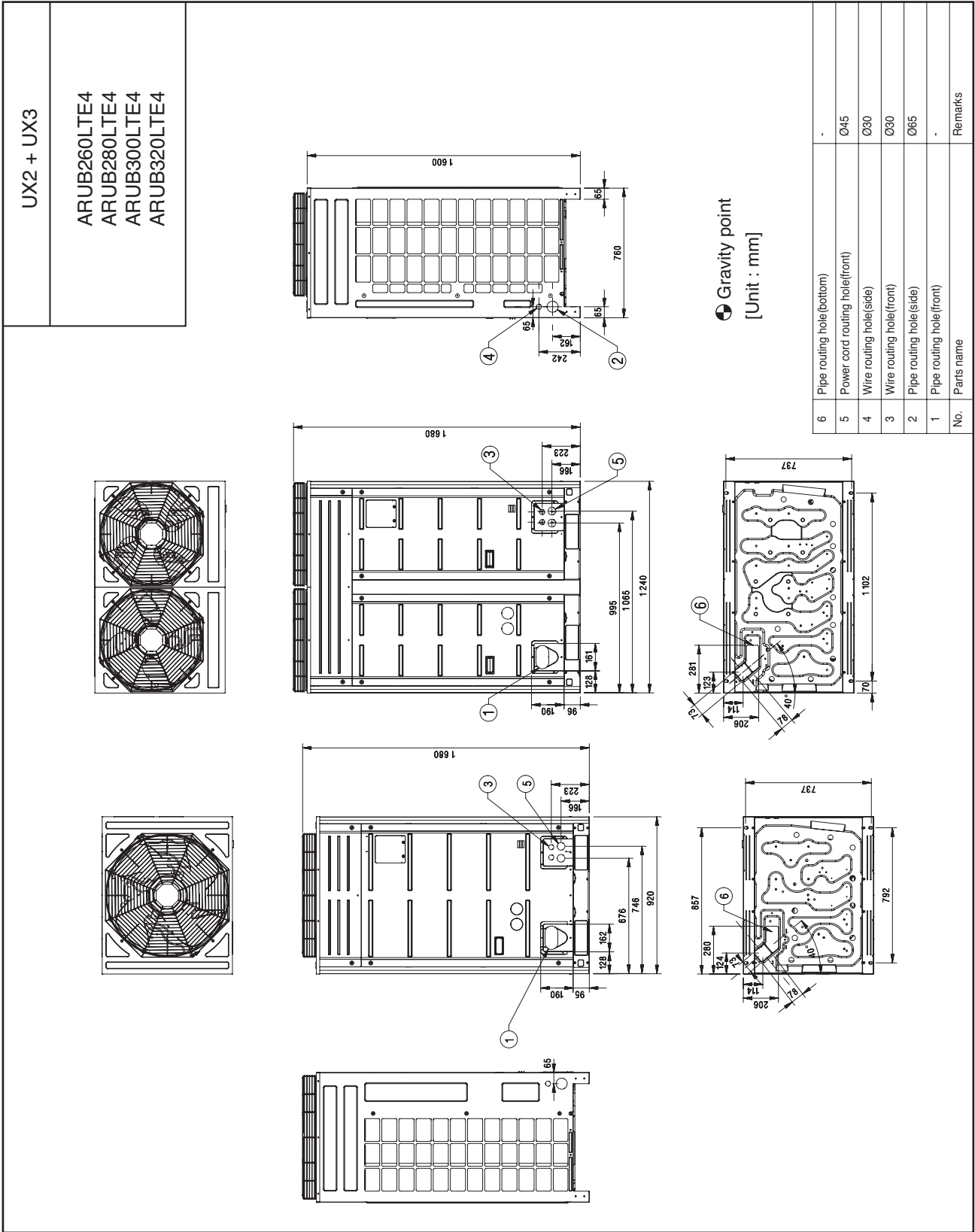
UX2 + UX2

ARUB220LTE4
ARUB240LTE4

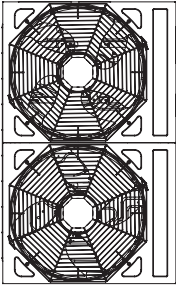
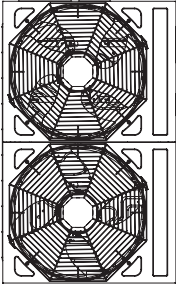
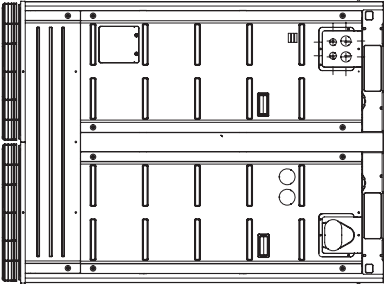
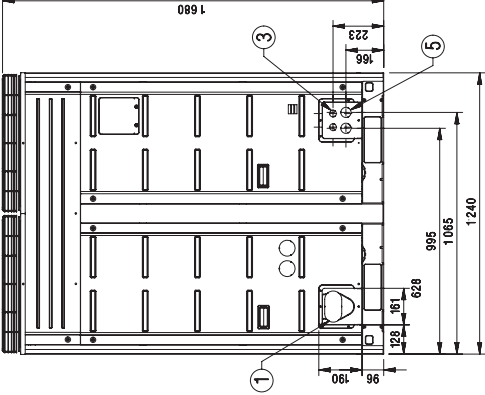
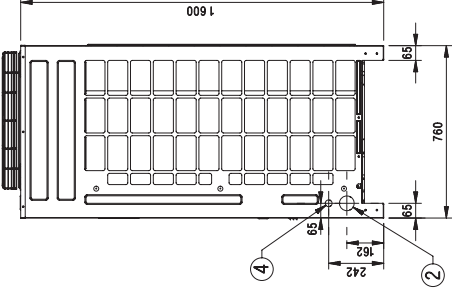
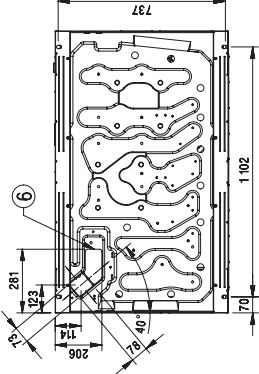
● Gravity point
[Unit : mm]

6	Pipe routing hole(bottom)	-	Remarks
5	Power cord routing hole(front)	Ø45	
4	Wire routing hole(side)	Ø30	
3	Wire routing hole(front)	Ø30	
2	Pipe routing hole(side)	Ø65	
1	Pipe routing hole(front)	-	
No.	Parts name		

2. Dimensions



2. Dimensions

UX3 + UX3	ARUB340LTE4 ARUB360LTE4 ARUB380LTE4 ARUB400LTE4						<p>● Gravity point [Unit : mm]</p> 	<table border="1" style="width: 100%; border-collapse: collapse;"> <tr> <td style="width: 5%; text-align: center;">6</td> <td style="width: 75%;">Pipe routing hole(bottom)</td> <td style="width: 10%; text-align: center;">-</td> <td style="width: 10%;">Remarks</td> </tr> <tr> <td style="text-align: center;">5</td> <td>Power cord routing hole(front)</td> <td style="text-align: center;">Ø45</td> <td></td> </tr> <tr> <td style="text-align: center;">4</td> <td>Wire routing hole(side)</td> <td style="text-align: center;">Ø30</td> <td></td> </tr> <tr> <td style="text-align: center;">3</td> <td>Wire routing hole(front)</td> <td style="text-align: center;">Ø30</td> <td></td> </tr> <tr> <td style="text-align: center;">2</td> <td>Pipe routing hole(side)</td> <td style="text-align: center;">Ø65</td> <td></td> </tr> <tr> <td style="text-align: center;">1</td> <td>Pipe routing hole(front)</td> <td style="text-align: center;">-</td> <td></td> </tr> <tr> <td style="text-align: center;">No.</td> <td>Parts name</td> <td></td> <td></td> </tr> </table>	6	Pipe routing hole(bottom)	-	Remarks	5	Power cord routing hole(front)	Ø45		4	Wire routing hole(side)	Ø30		3	Wire routing hole(front)	Ø30		2	Pipe routing hole(side)	Ø65		1	Pipe routing hole(front)	-		No.	Parts name		
6	Pipe routing hole(bottom)	-	Remarks																																	
5	Power cord routing hole(front)	Ø45																																		
4	Wire routing hole(side)	Ø30																																		
3	Wire routing hole(front)	Ø30																																		
2	Pipe routing hole(side)	Ø65																																		
1	Pipe routing hole(front)	-																																		
No.	Parts name																																			

2. Dimensions

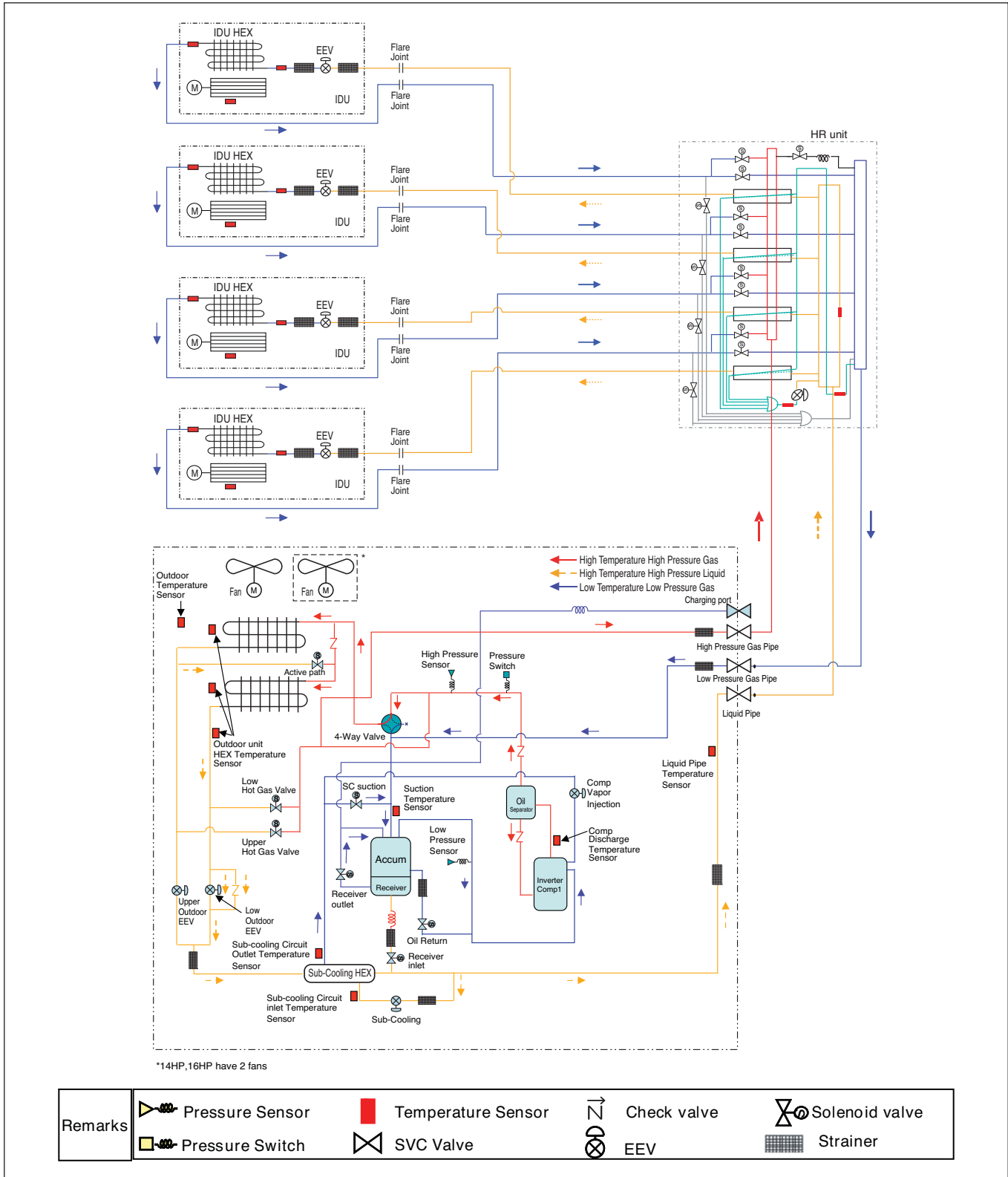
UX3 + UX3 + UX2 ARUB420LTE4 ARUB440LTE4 ARUB460LTE4 ARUB480LTE4 ARUB500LTE4 ARUB520LTE4		<table border="1" style="width: 100%; border-collapse: collapse;"> <tr> <td style="width: 5%;">6</td> <td style="width: 85%;">Pipe routing hole(bottom)</td> <td style="width: 10%;">-</td> <td style="width: 10%;">Remarks</td> </tr> <tr> <td>5</td> <td>Power cord routing hole(front)</td> <td>Ø45</td> <td></td> </tr> <tr> <td>4</td> <td>Wire routing hole(side)</td> <td>Ø30</td> <td></td> </tr> <tr> <td>3</td> <td>Wire routing hole(front)</td> <td>Ø30</td> <td></td> </tr> <tr> <td>2</td> <td>Pipe routing hole(side)</td> <td>Ø65</td> <td></td> </tr> <tr> <td>1</td> <td>Pipe routing hole(front)</td> <td>-</td> <td></td> </tr> <tr> <td>No.</td> <td>Parts name</td> <td></td> <td></td> </tr> </table>	6	Pipe routing hole(bottom)	-	Remarks	5	Power cord routing hole(front)	Ø45		4	Wire routing hole(side)	Ø30		3	Wire routing hole(front)	Ø30		2	Pipe routing hole(side)	Ø65		1	Pipe routing hole(front)	-		No.	Parts name		
6	Pipe routing hole(bottom)	-	Remarks																											
5	Power cord routing hole(front)	Ø45																												
4	Wire routing hole(side)	Ø30																												
3	Wire routing hole(front)	Ø30																												
2	Pipe routing hole(side)	Ø65																												
1	Pipe routing hole(front)	-																												
No.	Parts name																													

3. Piping Diagrams

3.1 8 / 10 / 12 / 14 / 16 HP (1 Comp)

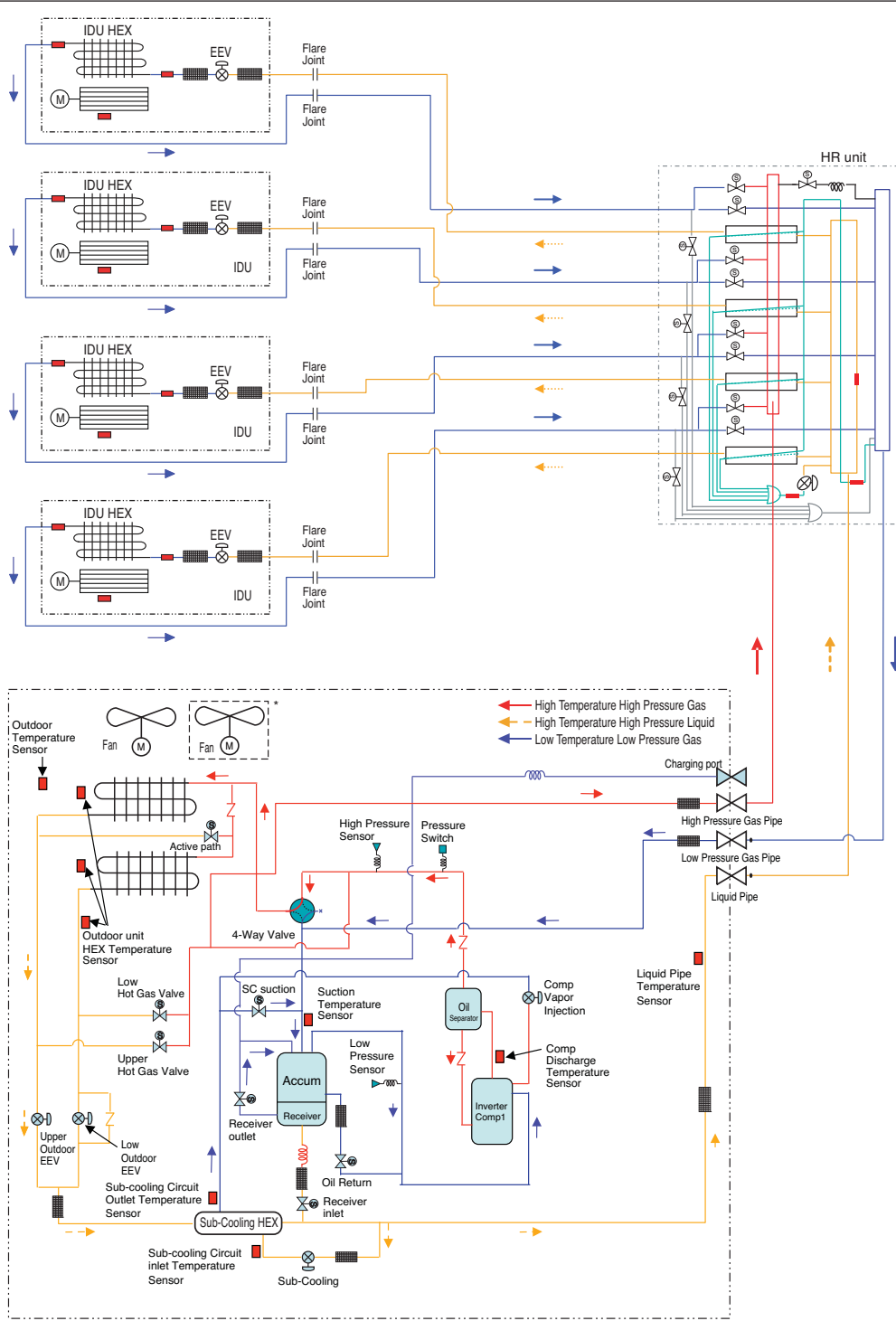
Cooling Operation

Outdoor Units



3. Piping Diagrams

Cooling Operation at low ambient temperature



*14HP,16HP have 2 fans

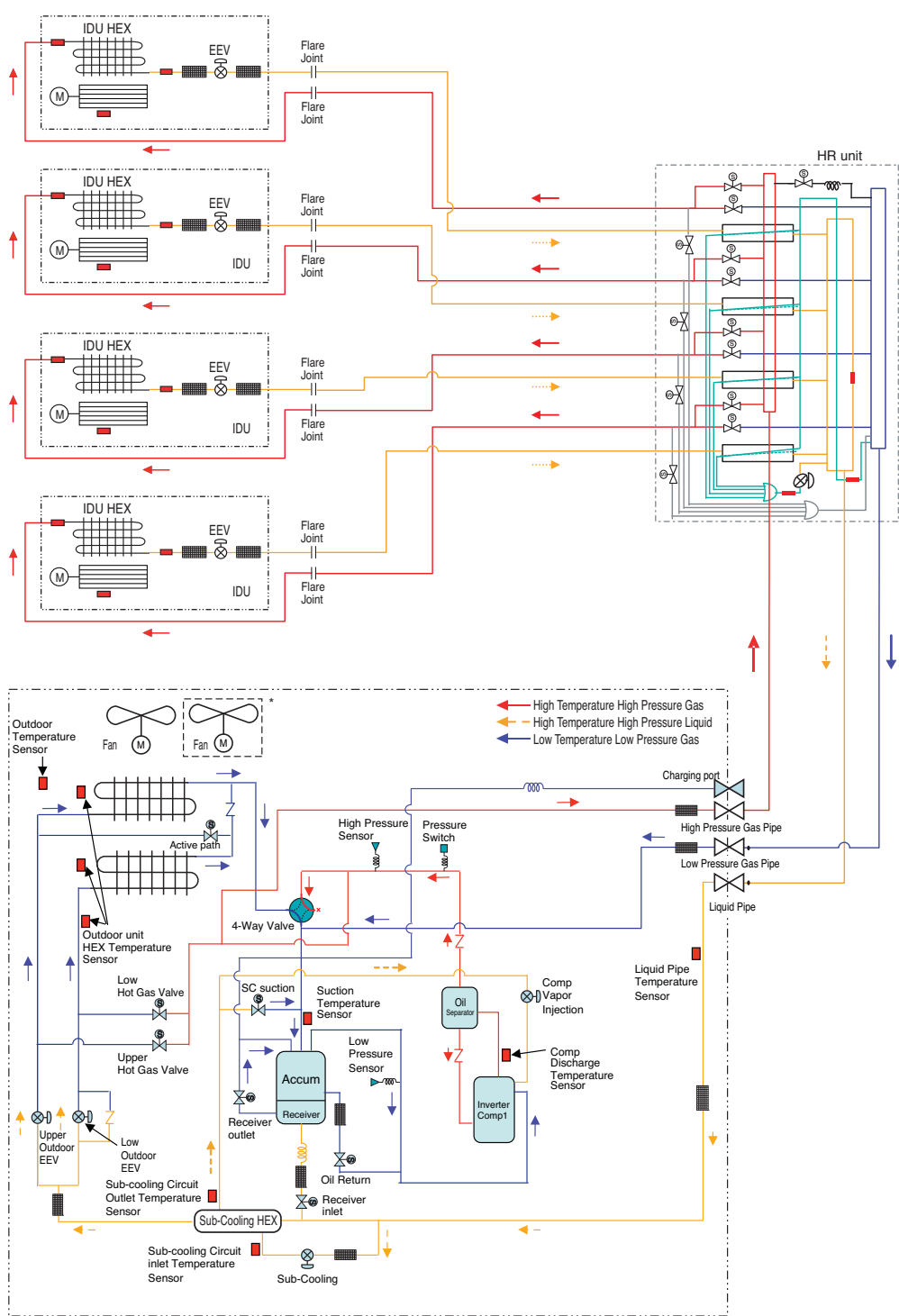
Remarks	Pressure Sensor	Temperature Sensor	Check valve	Solenoid valve
	Pressure Switch	SVC Valve	EEV	Strainer

Outdoor Units

3. Piping Diagrams

Heating Operation

Outdoor Units

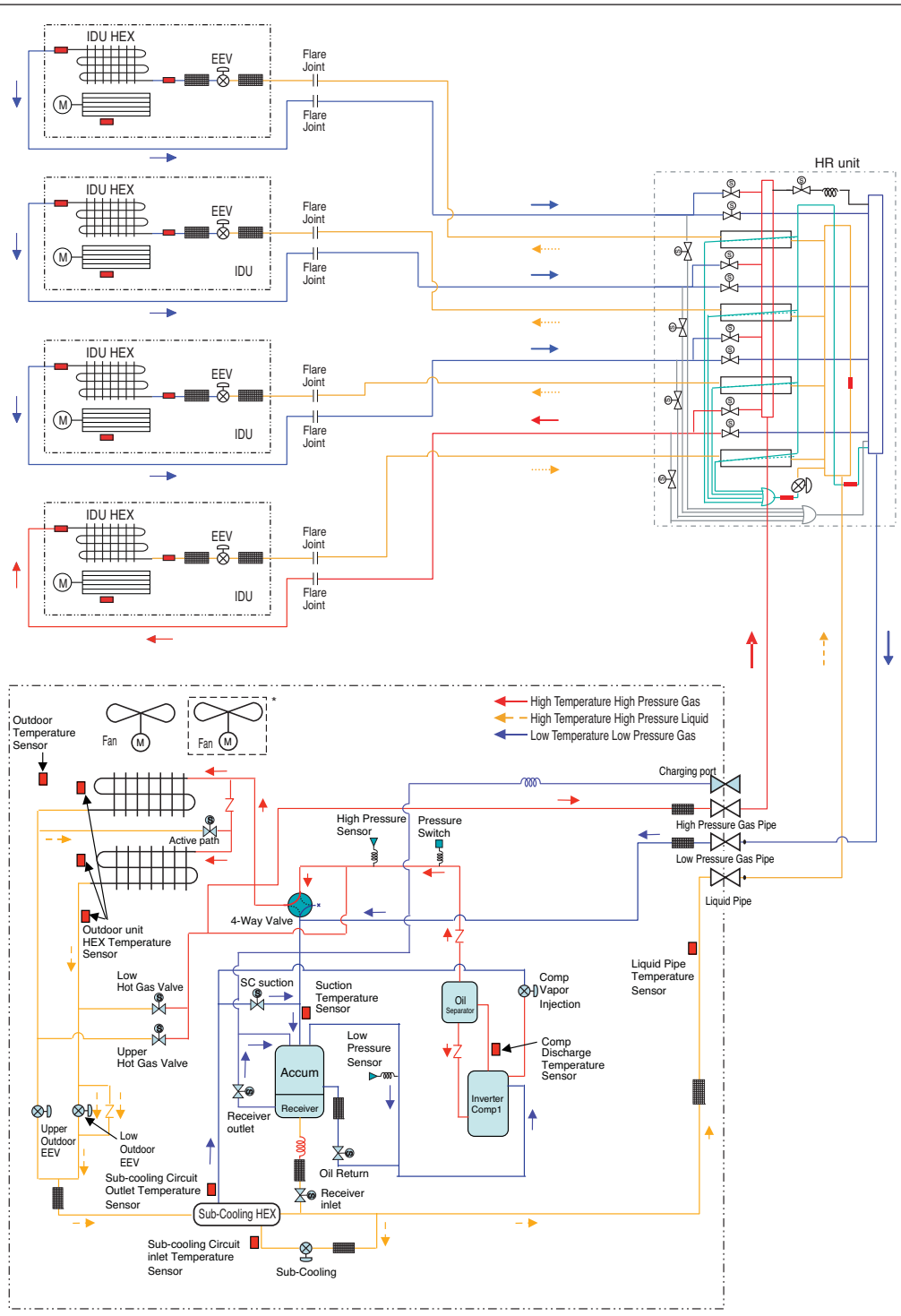


Remarks	Pressure Sensor	Temperature Sensor	Check valve	Solenoid valve
	Pressure Switch	SVC Valve	EEV	Strainer

3. Piping Diagrams

Simultaneous Operation Mode 1 (Cooling Based Operation)

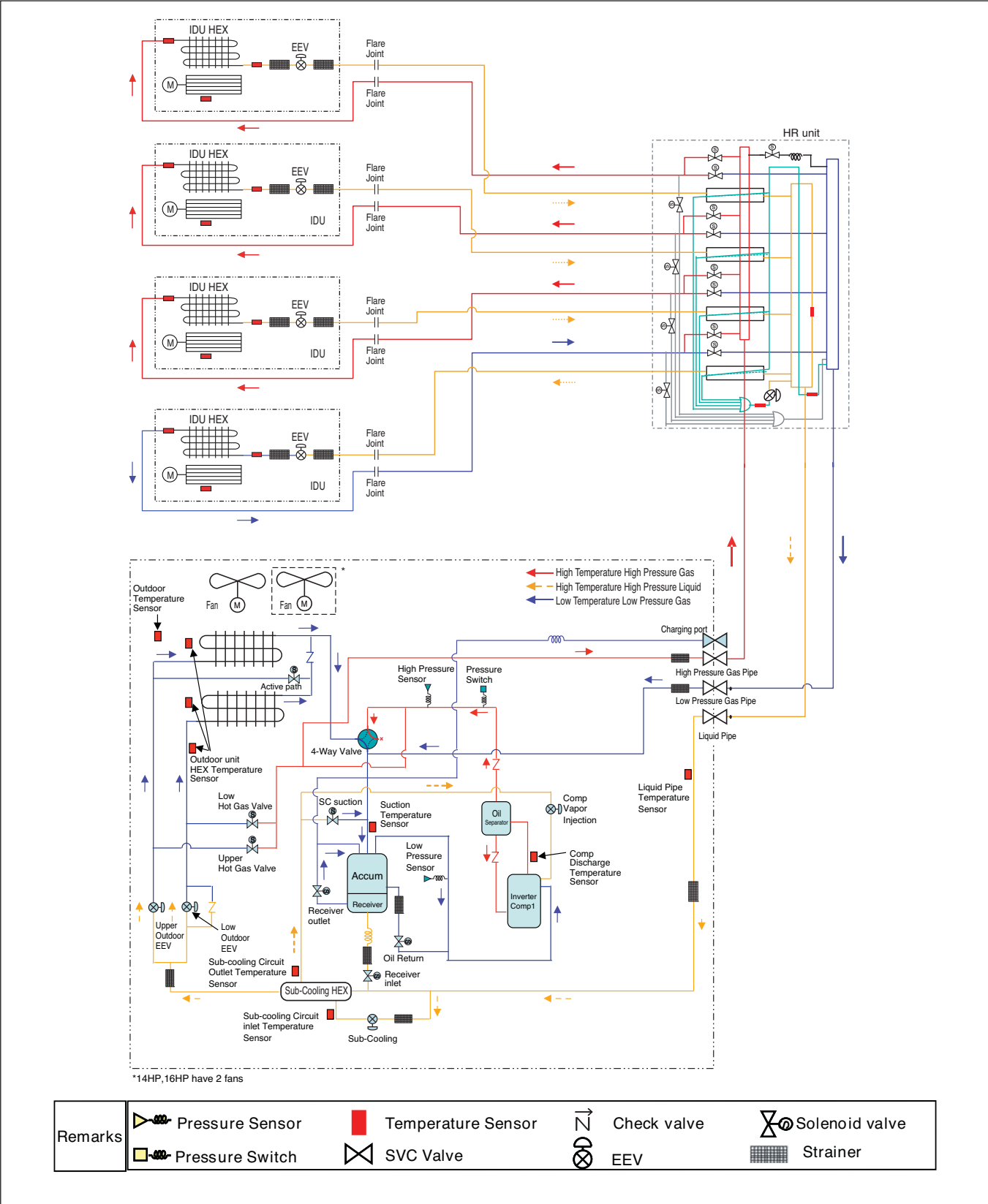
Outdoor Units



Remarks	Pressure Sensor	Temperature Sensor	Check valve	Solenoid valve
	Pressure Switch	SVC Valve	EEV	Strainer

3. Piping Diagrams

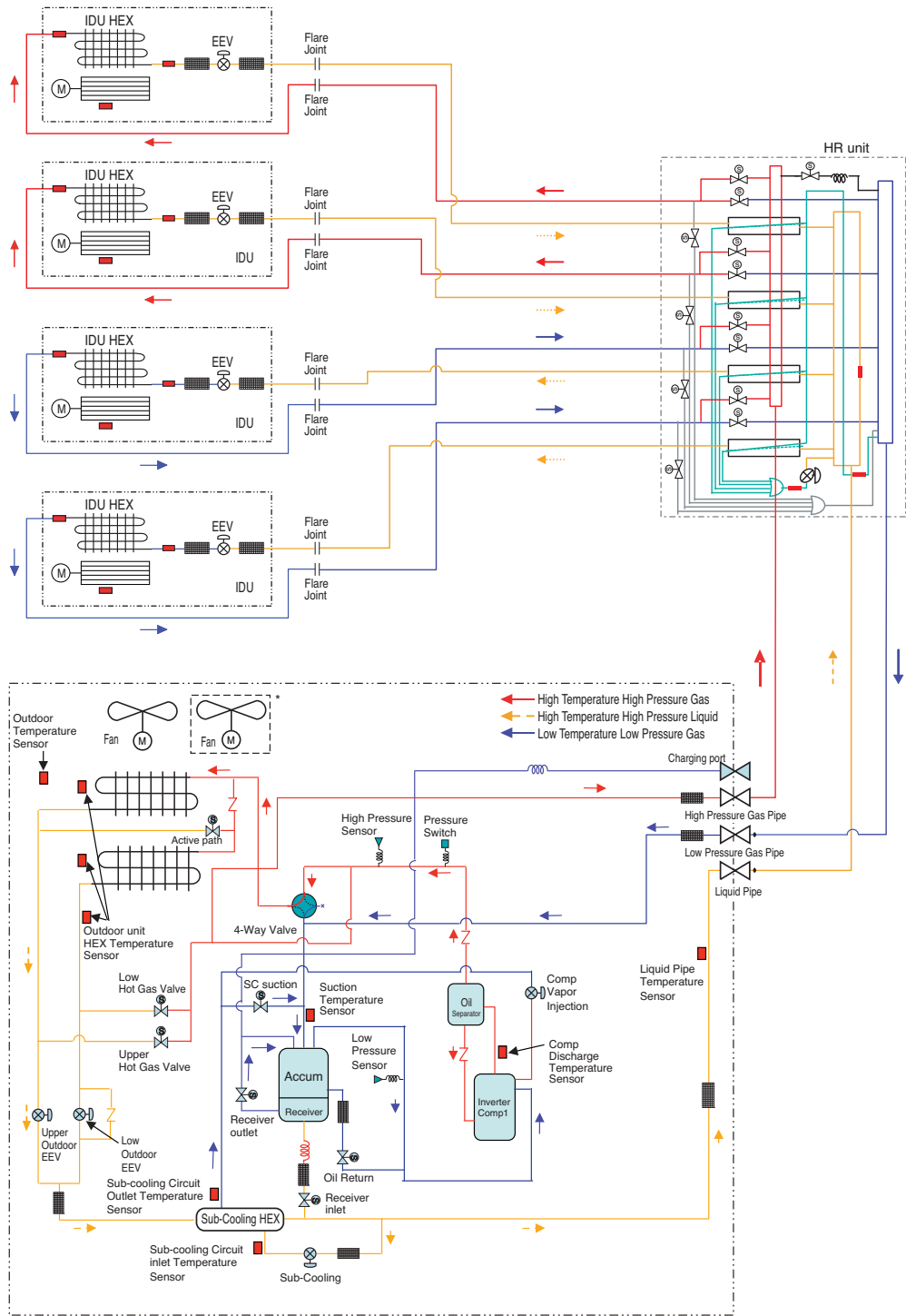
Simultaneous Operation Mode 2(Heating Based Operation)



3. Piping Diagrams

Simultaneous Operation Mode 3 (Half cooling based operation)

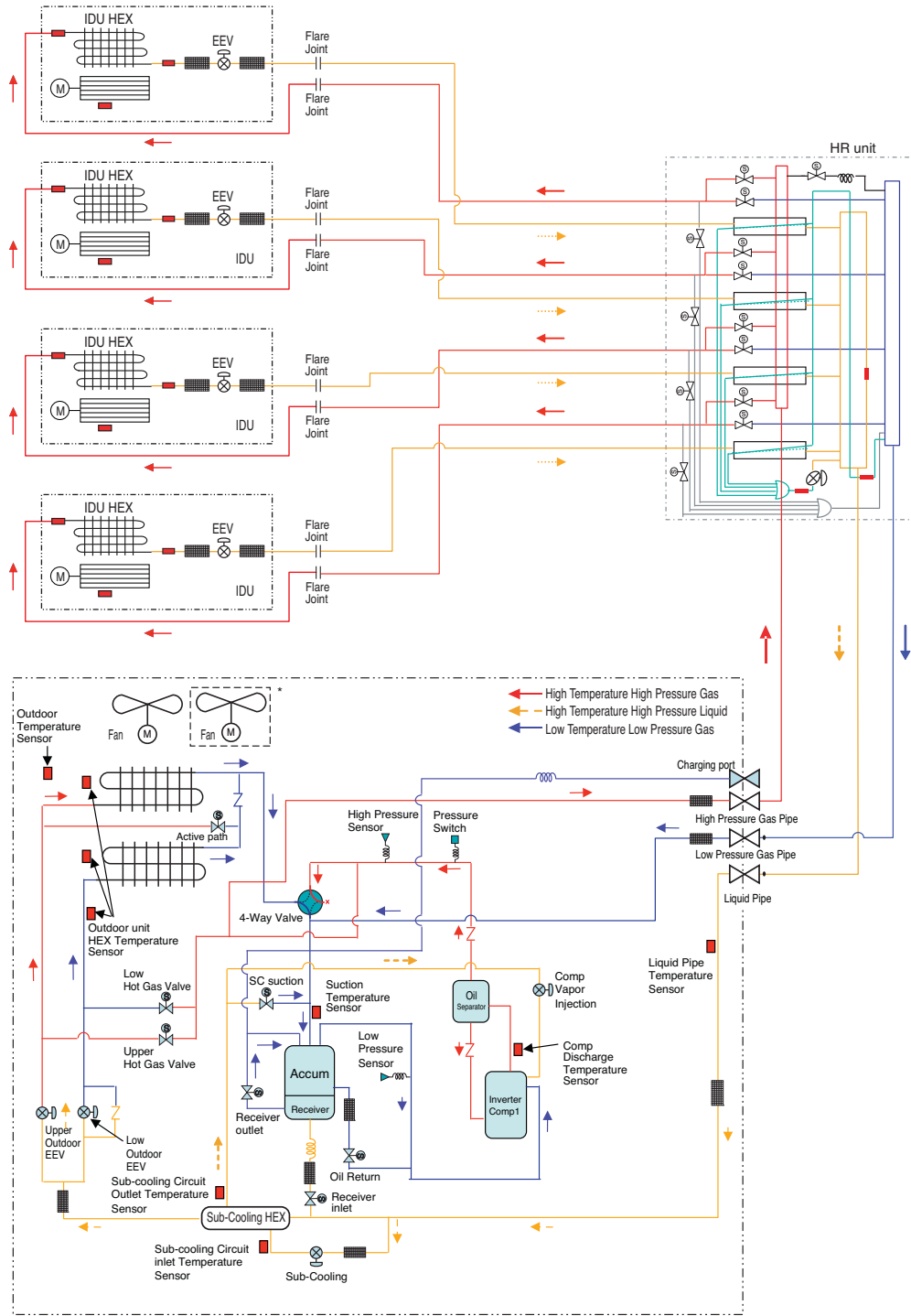
Outdoor Units



Remarks	Pressure Sensor	Temperature Sensor	Check valve	Solenoid valve
	Pressure Switch	SVC Valve	EEV	Strainer

3. Piping Diagrams

Upper HEX Defrost Operation



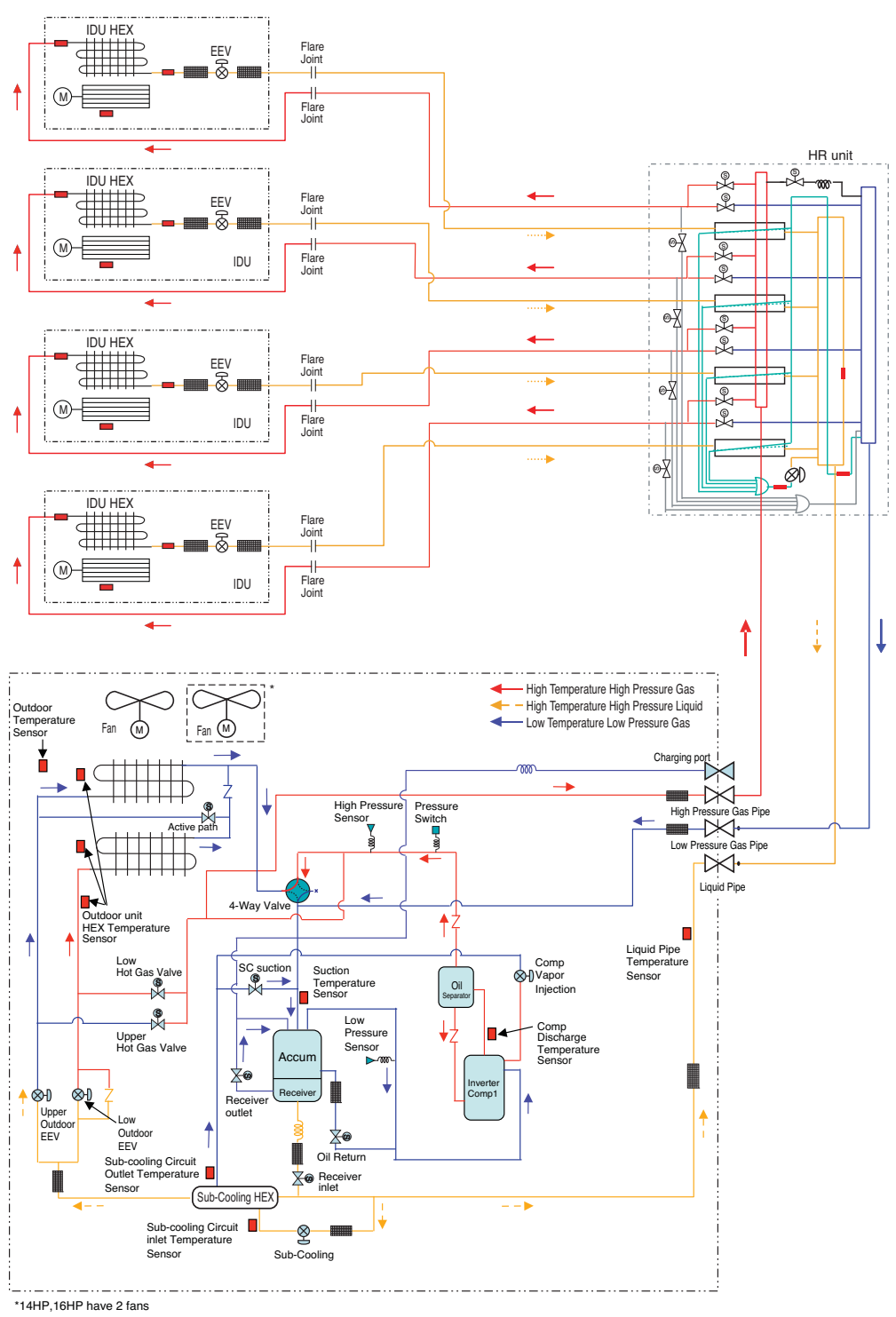
Remarks	Pressure Sensor	Temperature Sensor	Check valve	Solenoid valve
	Pressure Switch	SVC Valve	EEV	Strainer

Outdoor Units

3. Piping Diagrams

Low HEX Defrost Operation

Outdoor Units

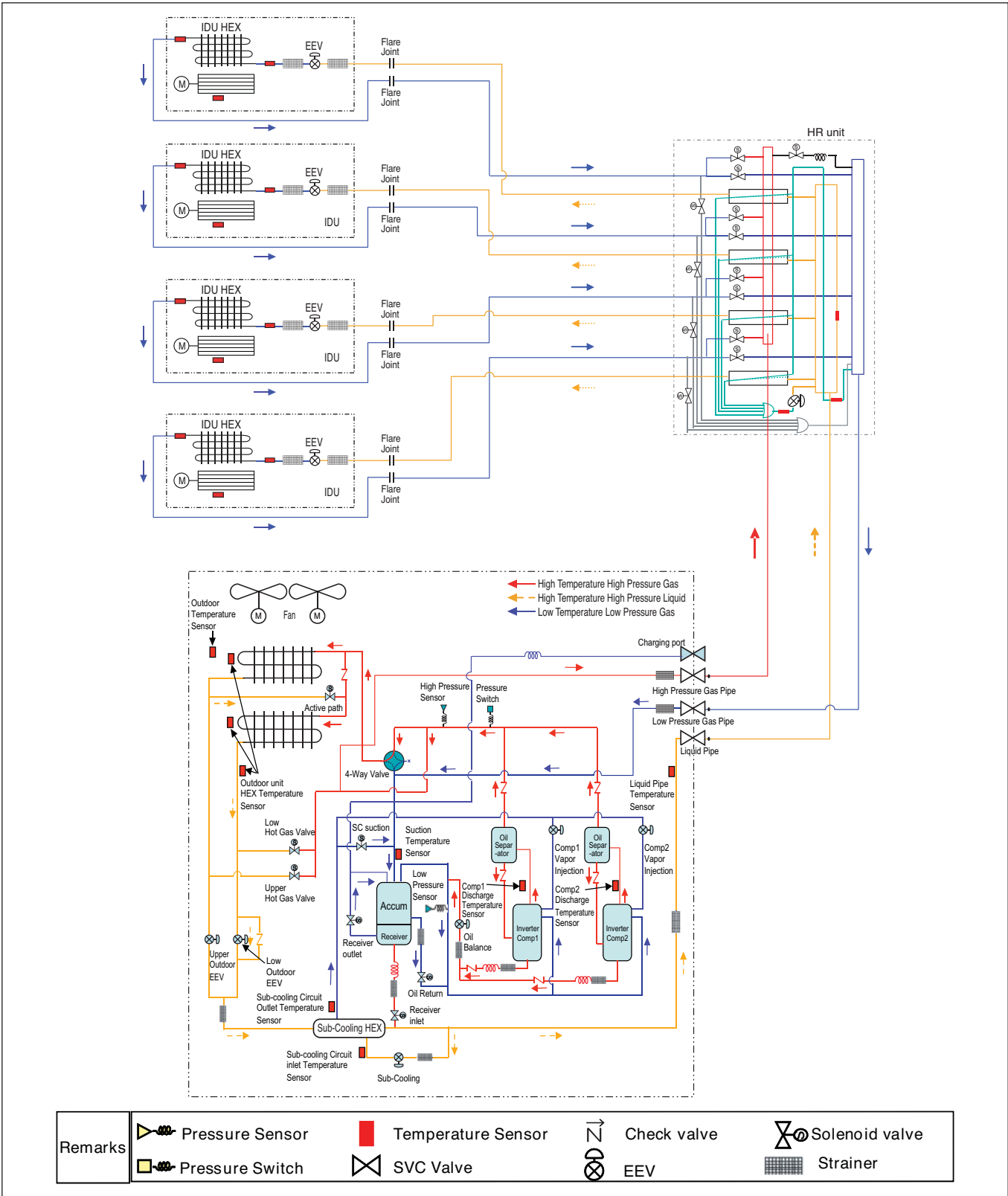


Remarks	Pressure Sensor	Temperature Sensor	Check valve	Solenoid valve
	Pressure Switch	SVC Valve	EEV	Strainer

3. Piping Diagrams

3.2 18 / 20HP (2 Comp)

Cooling Operation

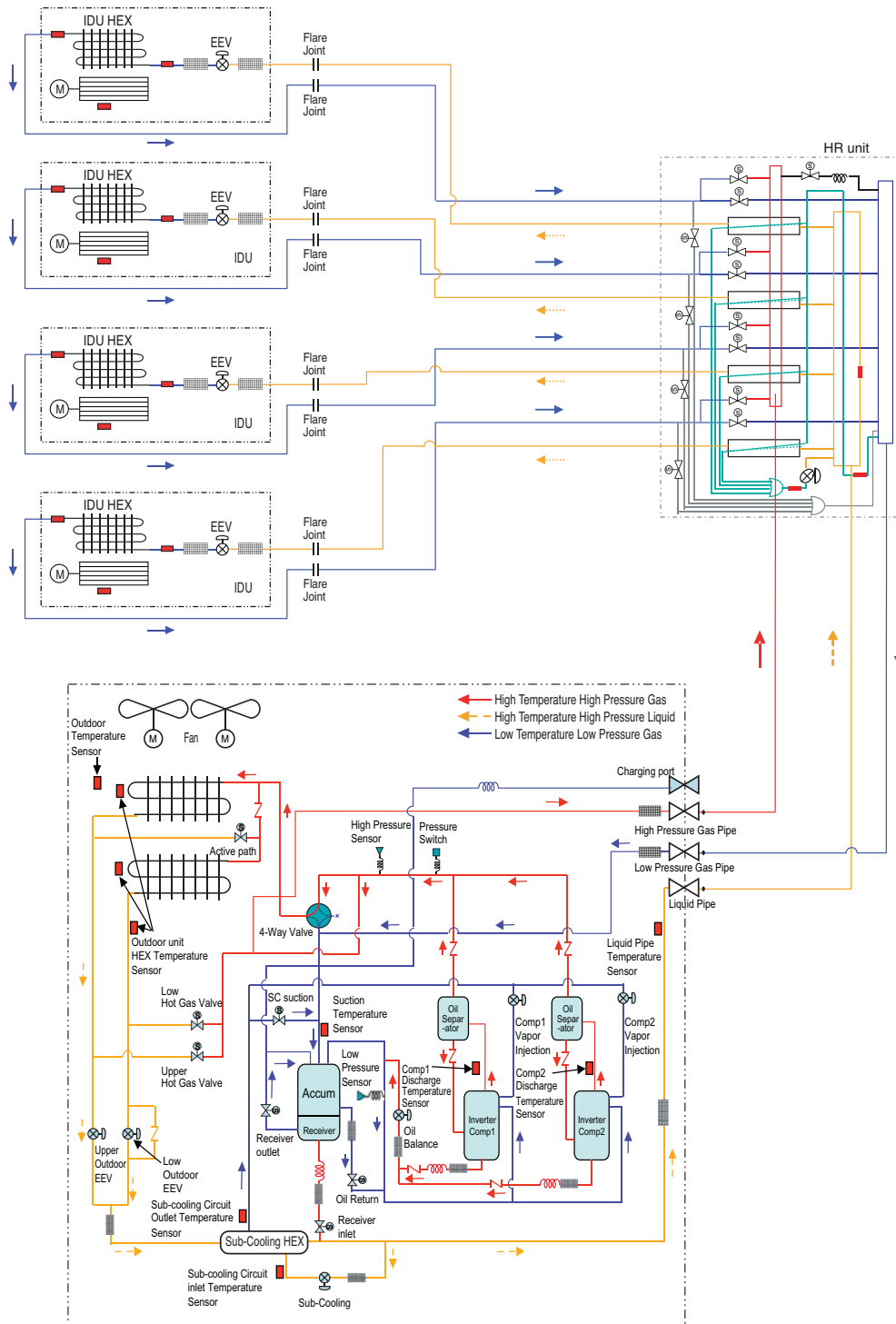


Outdoor Units

3. Piping Diagrams

Cooling Operation at low ambient temperature

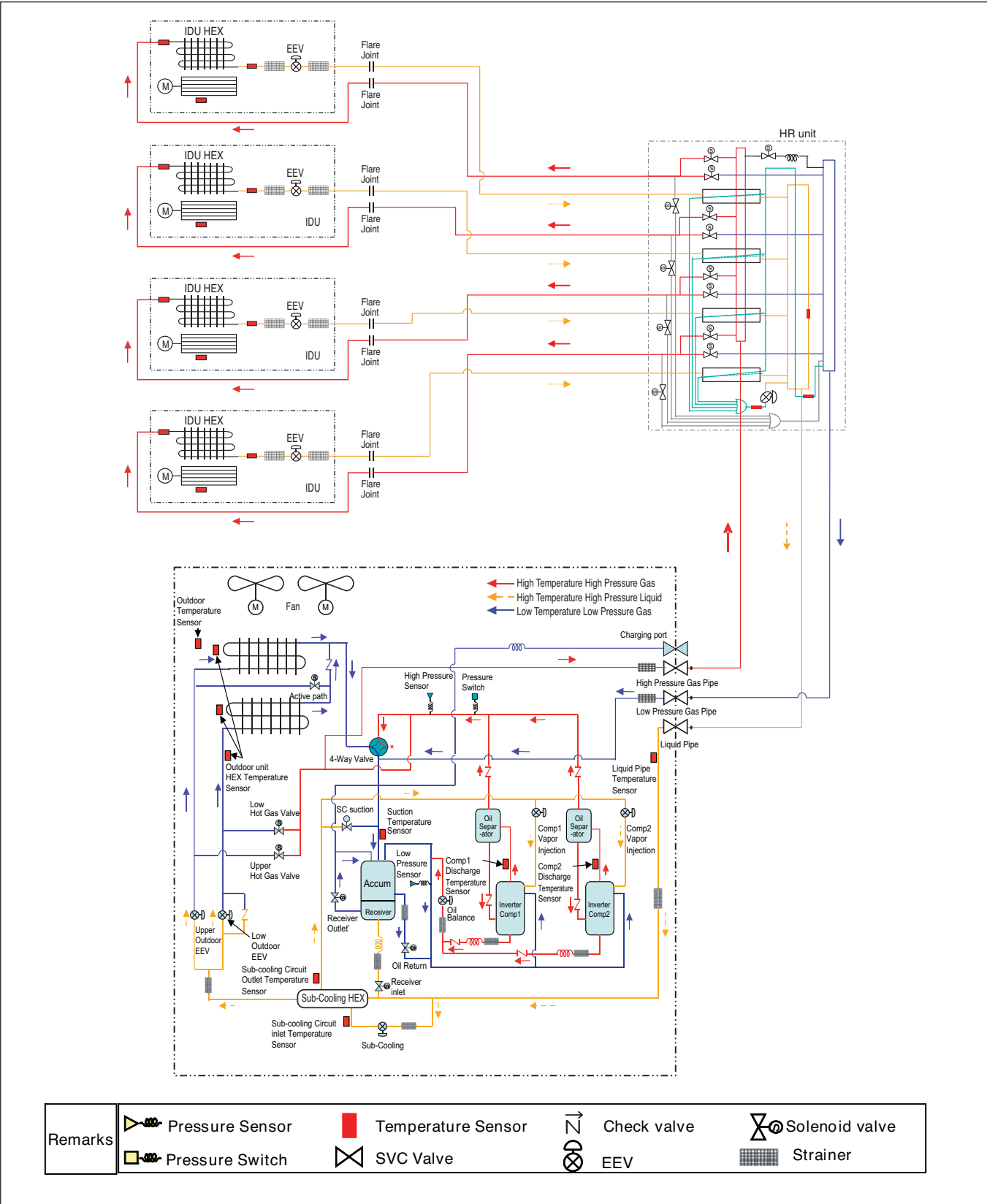
Outdoor Units



Remarks	Pressure Sensor	Temperature Sensor	Check valve	Solenoid valve
	Pressure Switch	SVC Valve	EEV	Strainer

3. Piping Diagrams

Heating Operation

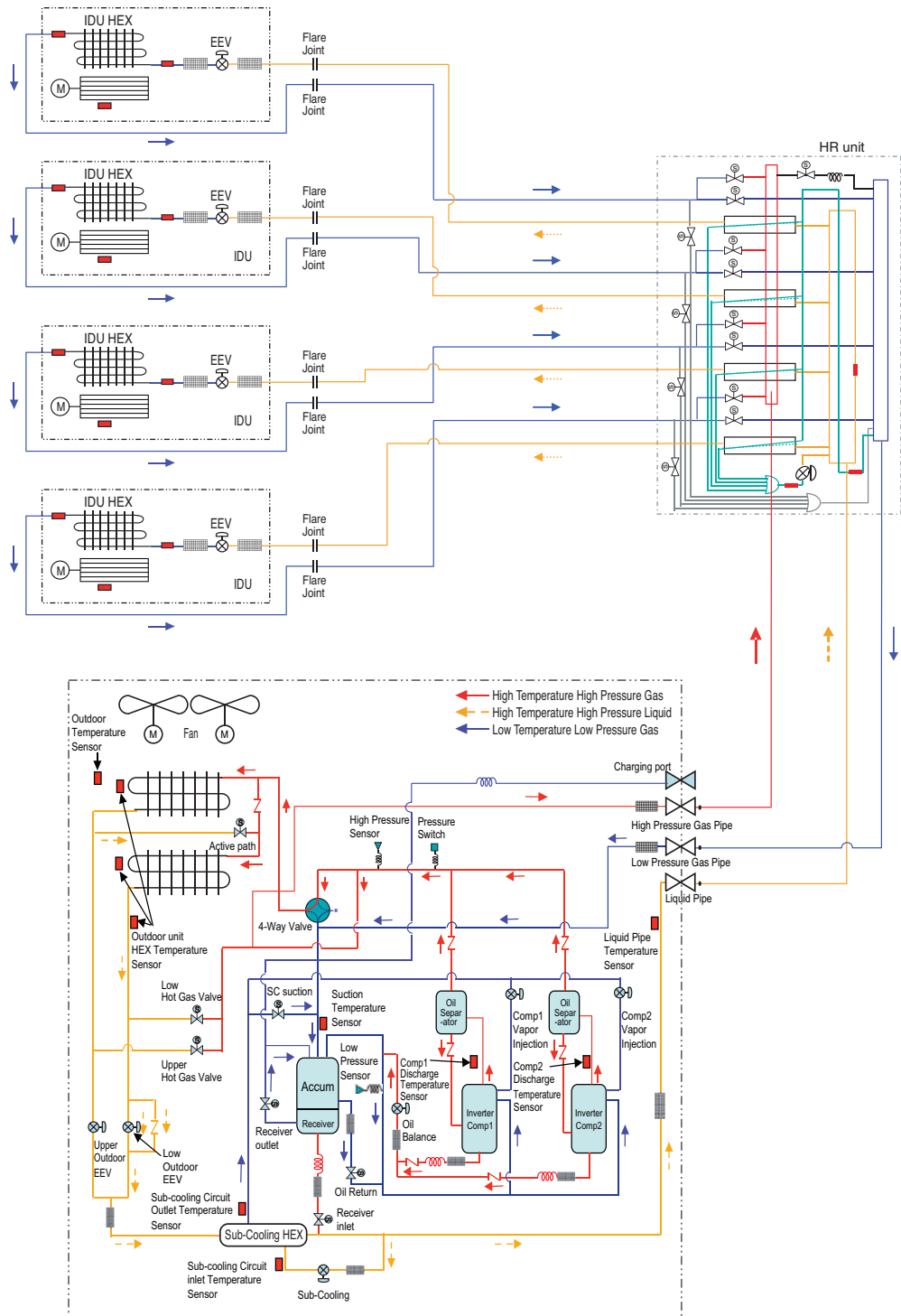


Outdoor Units

3. Piping Diagrams

Oil Return / Defrost Operation

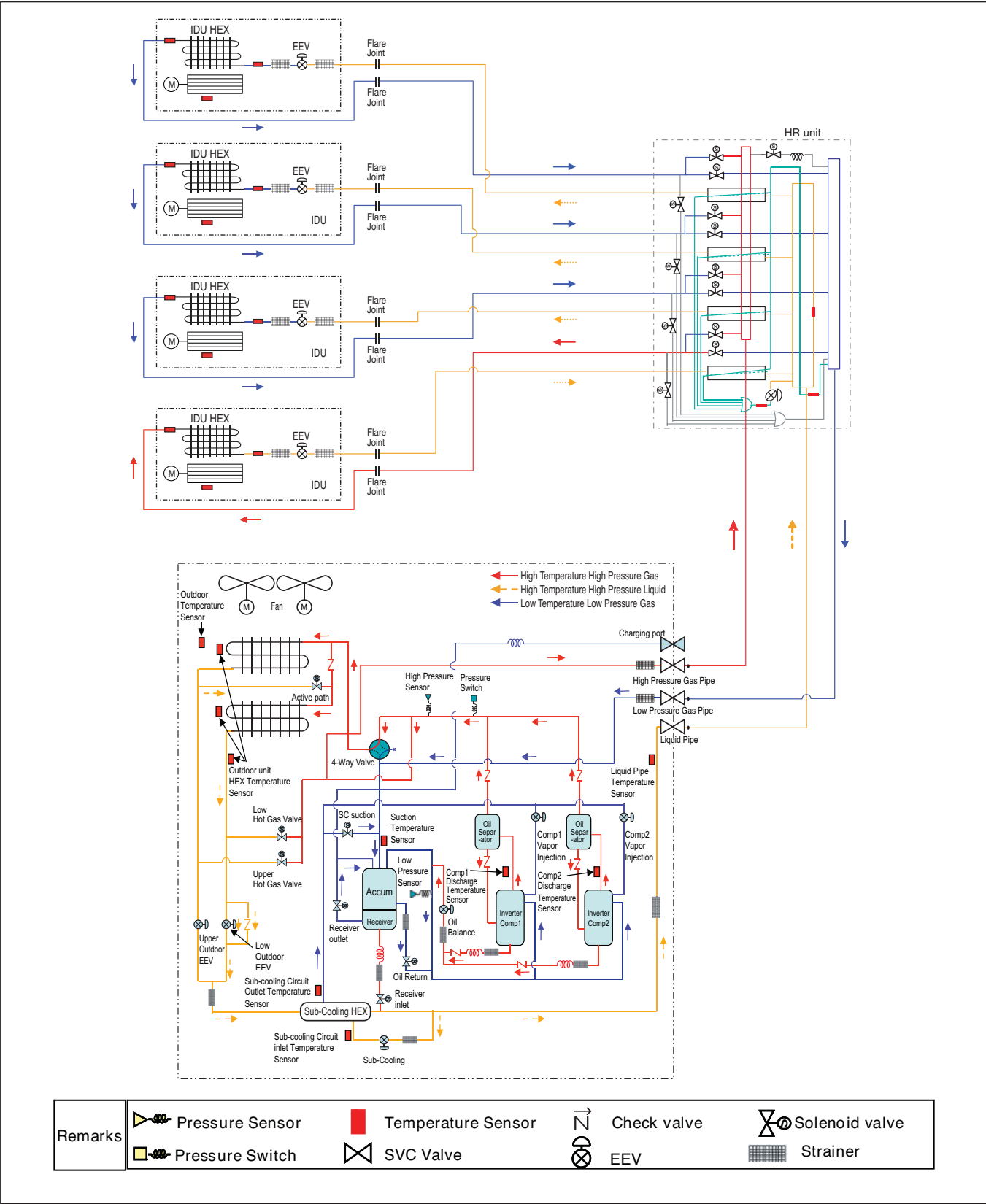
Outdoor Units



Remarks	Pressure Sensor	Temperature Sensor	Check valve	Solenoid valve
	Pressure Switch	SVC Valve	EEV	Strainer

3. Piping Diagrams

Simultaneous Operation Mode 1 (Cooling Based Operation)

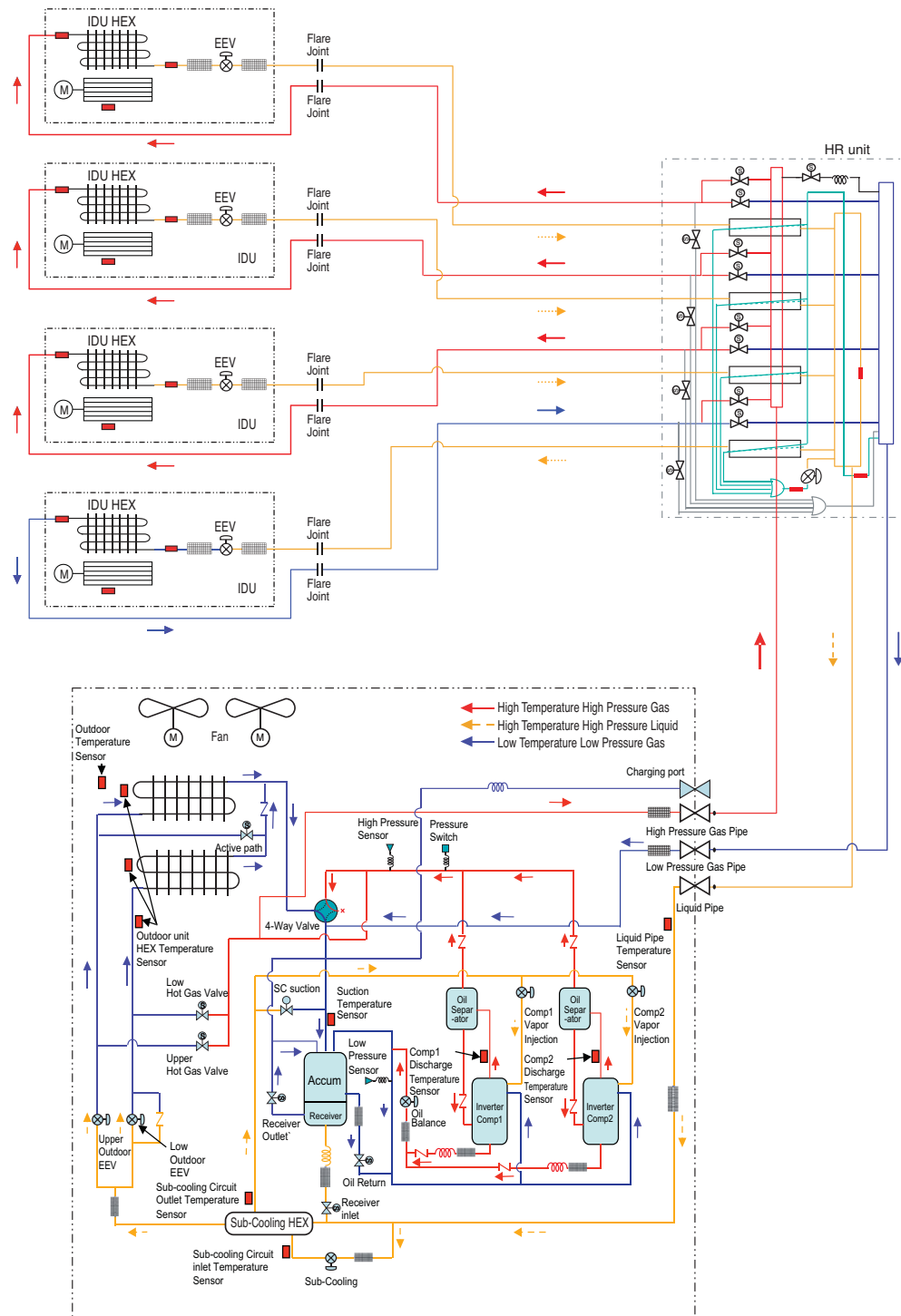


Outdoor Units

3. Piping Diagrams

Simultaneous Operation Mode 2(Heating Based Operation)

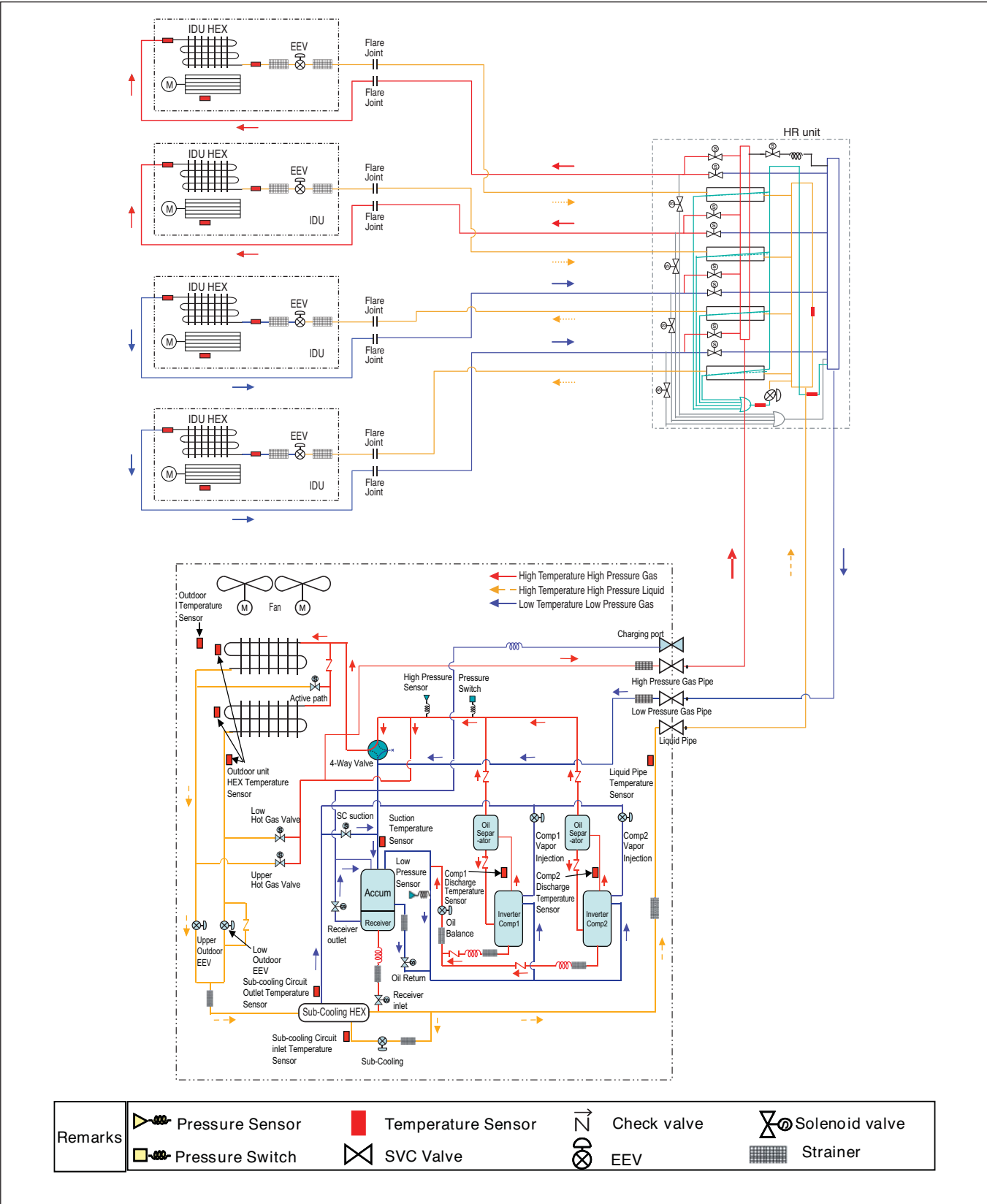
Outdoor Units



Remarks	Pressure Sensor	Temperature Sensor	Check valve	Solenoid valve
	Pressure Switch	SVC Valve	EEV	Strainer

3. Piping Diagrams

Simultaneous Operation Mode 3 (Half cooling based operation)

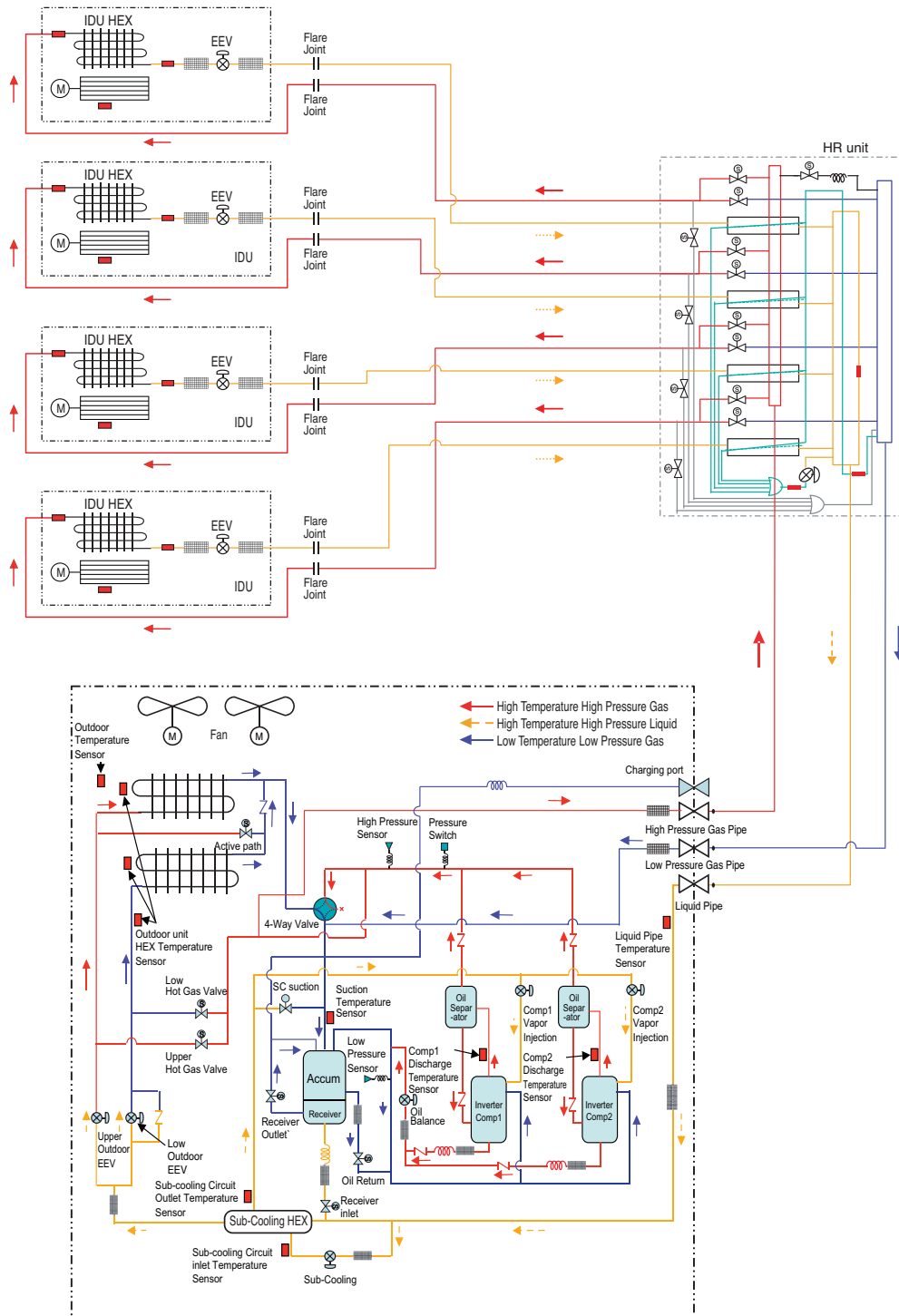


Outdoor Units

3. Piping Diagrams

Upper HEX Defrost Operation

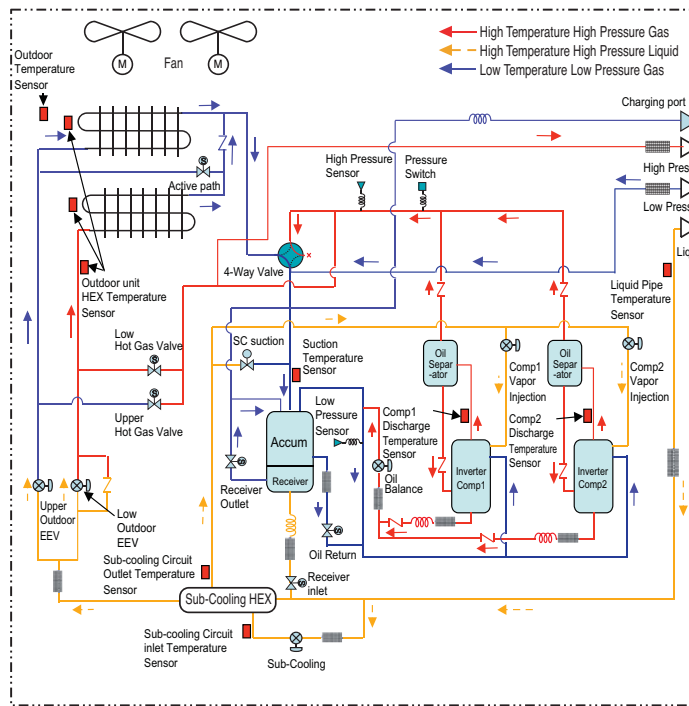
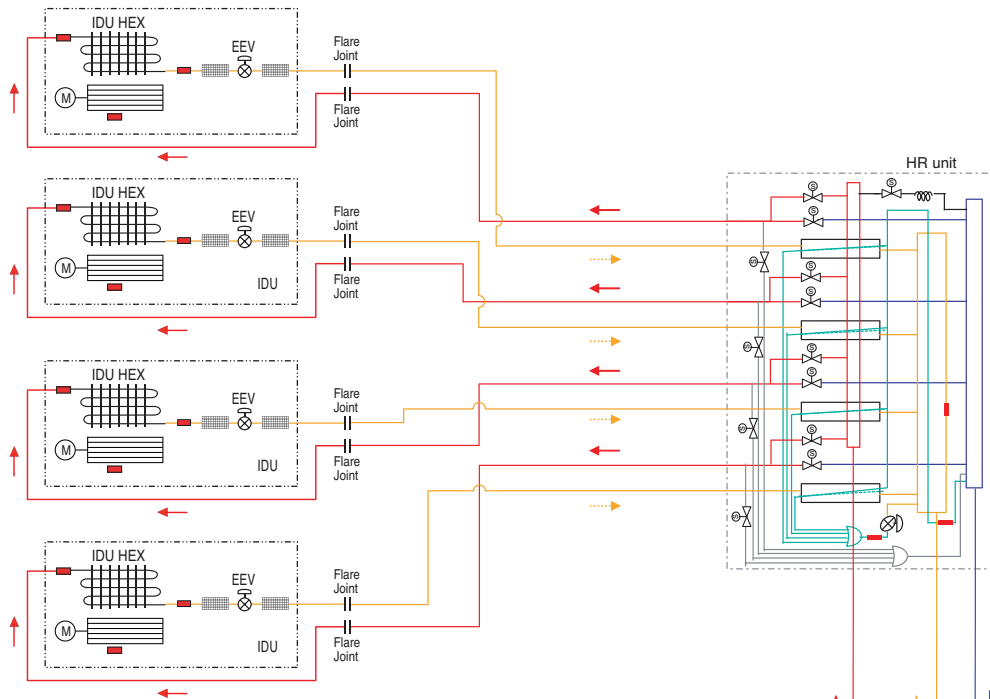
Outdoor Units



Remarks	Pressure Sensor	Temperature Sensor	Check valve	Solenoid valve
	Pressure Switch	SVC Valve	EEV	Strainer

3. Piping Diagrams

Low HEX Defrost Operation

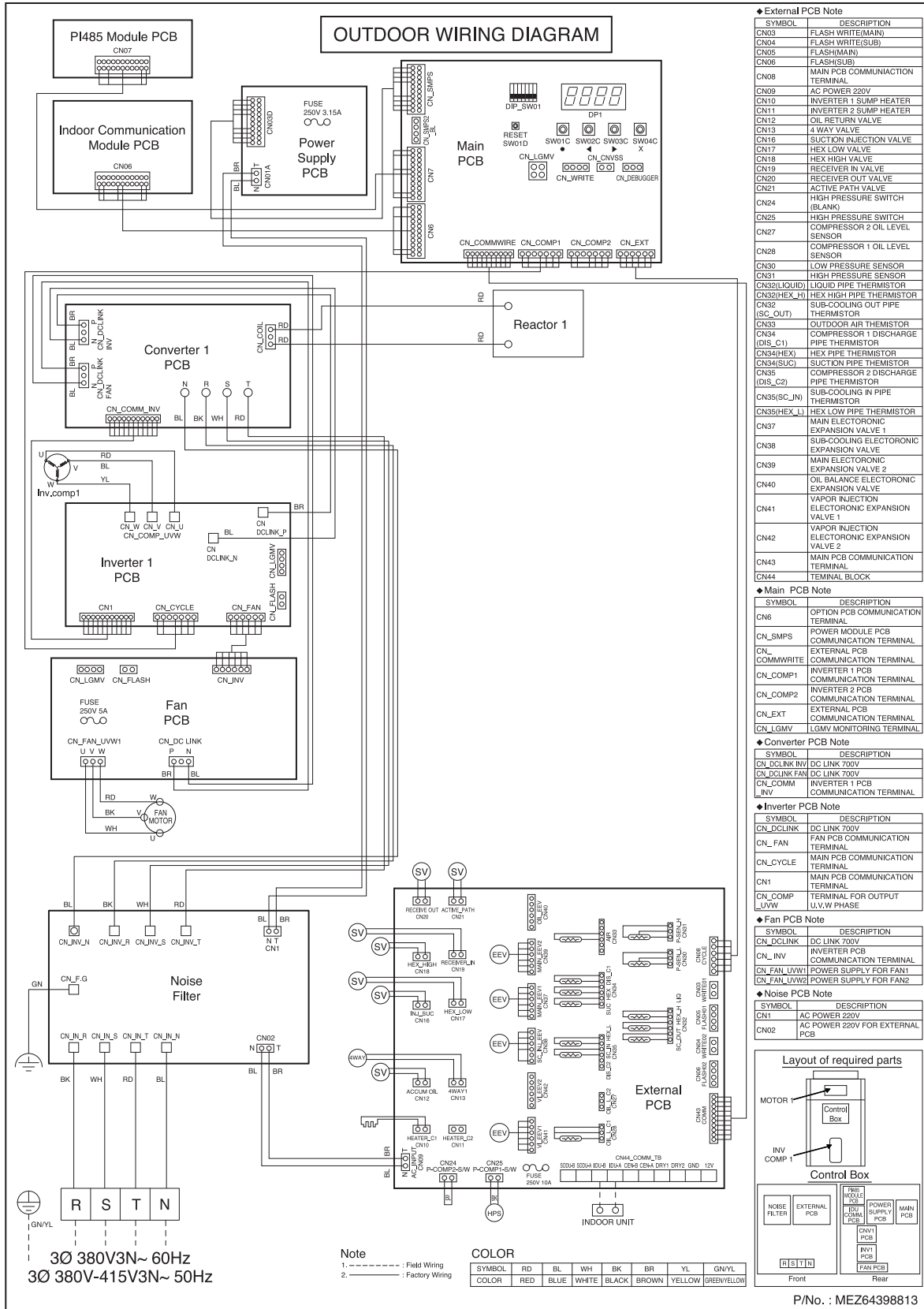


Remarks	Pressure Sensor	Temperature Sensor	Check valve	Solenoid valve
	Pressure Switch	SVC Valve	EEV	Strainer

Outdoor Units

4. Wiring Diagrams

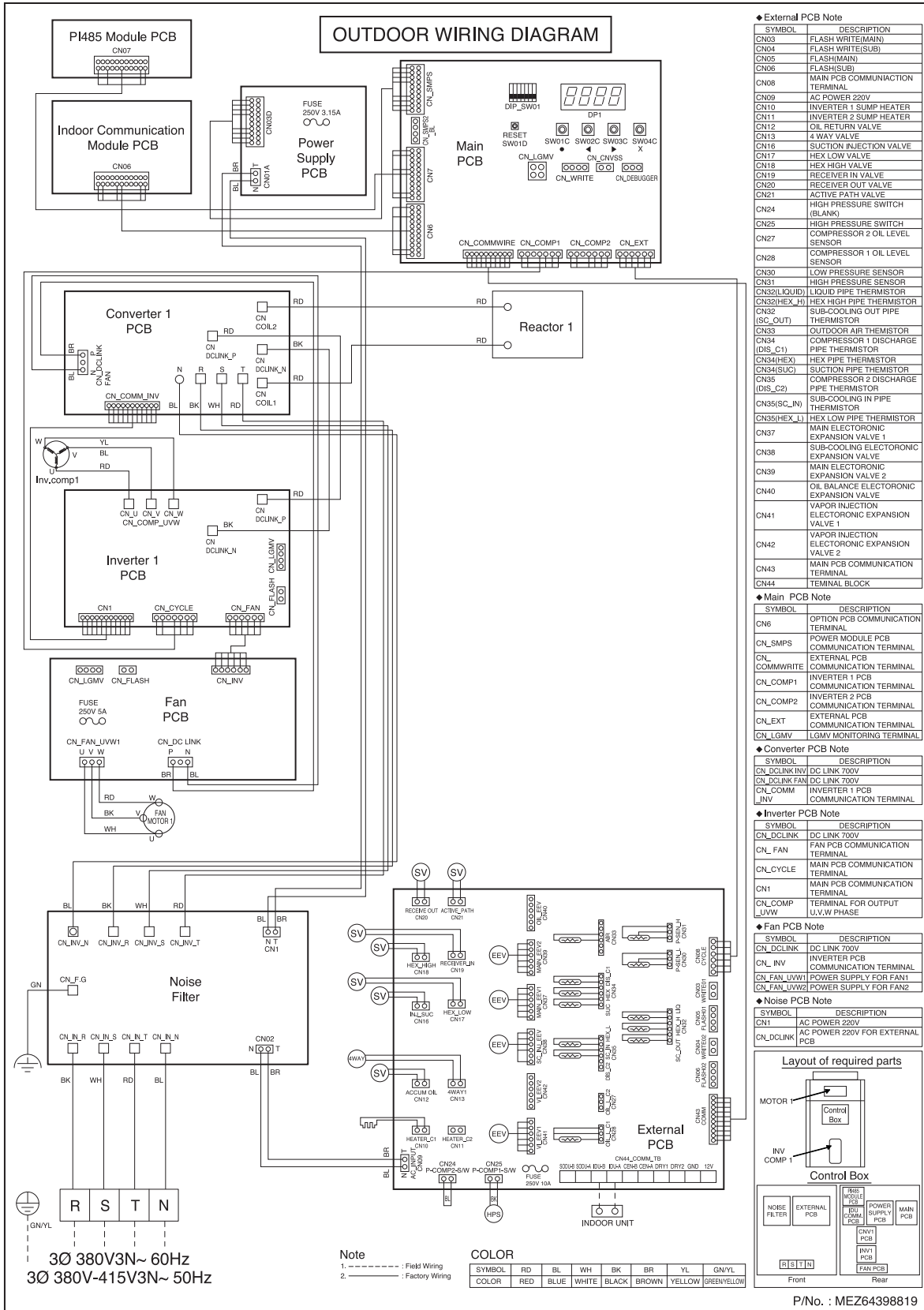
4.1 8 HP (UX2)



Outdoor Units

4. Wiring Diagrams

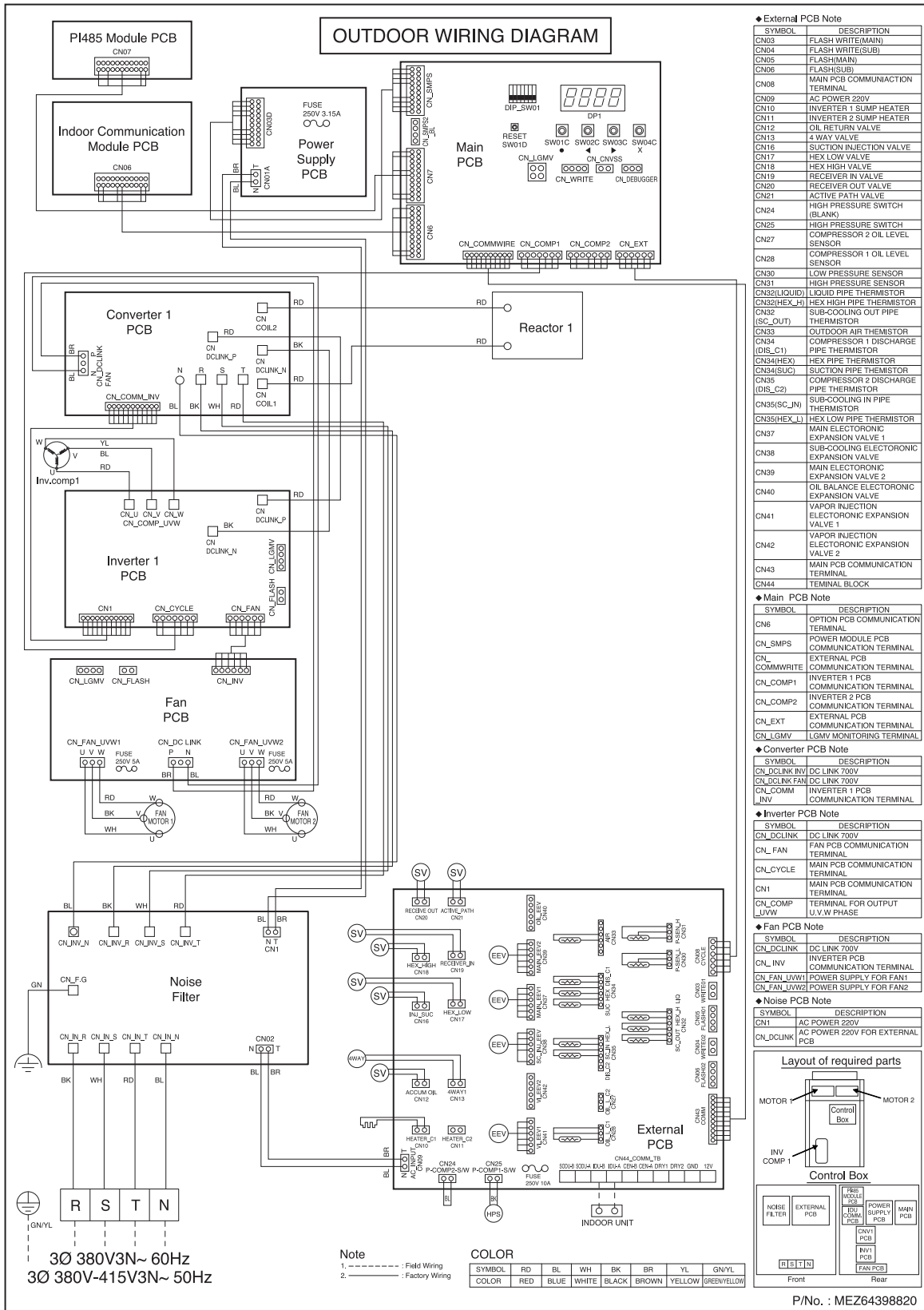
4.2 10 / 12 HP (UX2)



4. Wiring Diagrams

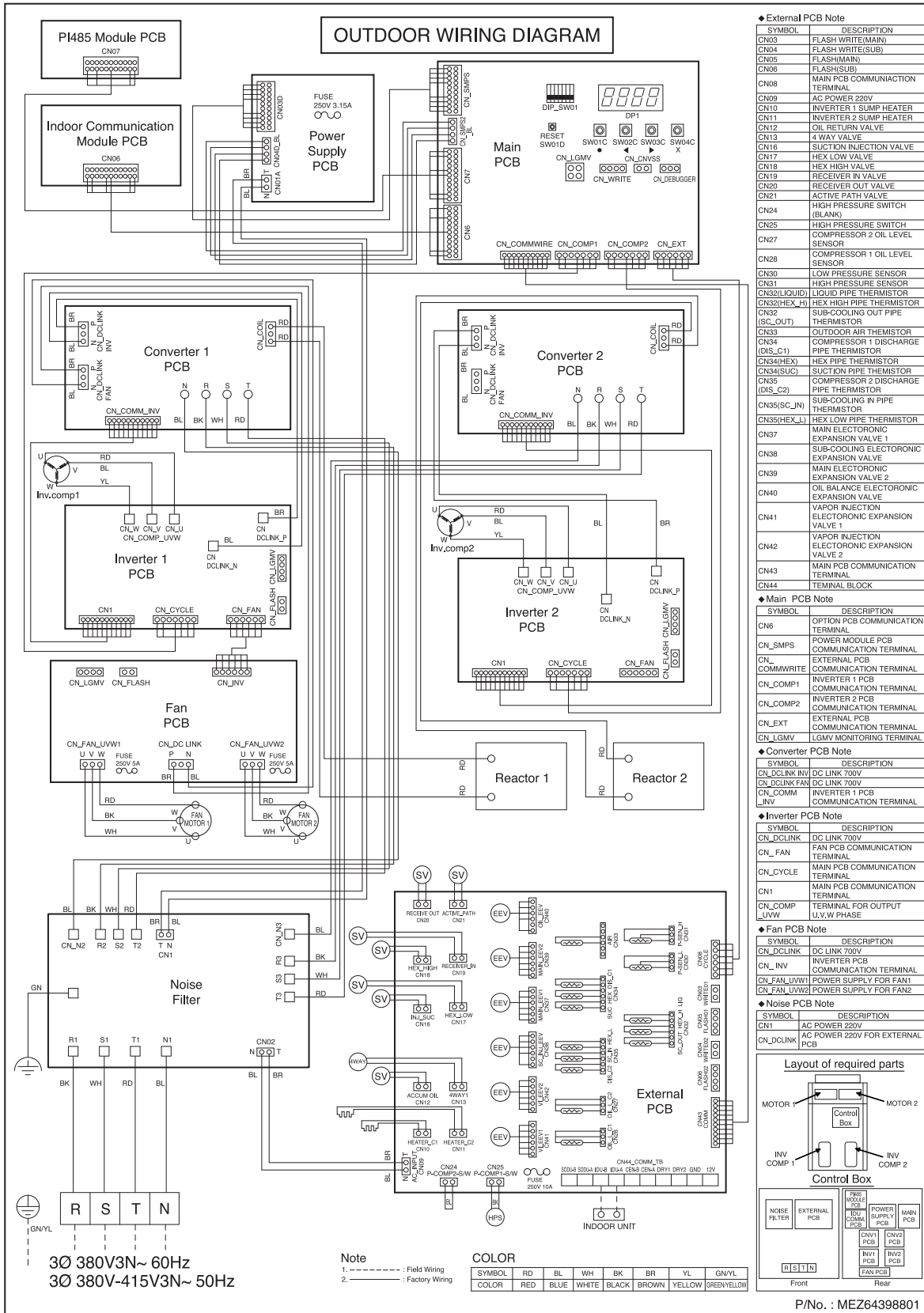
4.3 14 / 16 HP (UX3)

Outdoor Units



4. Wiring Diagrams

4.4 18 / 20 HP (UX3)



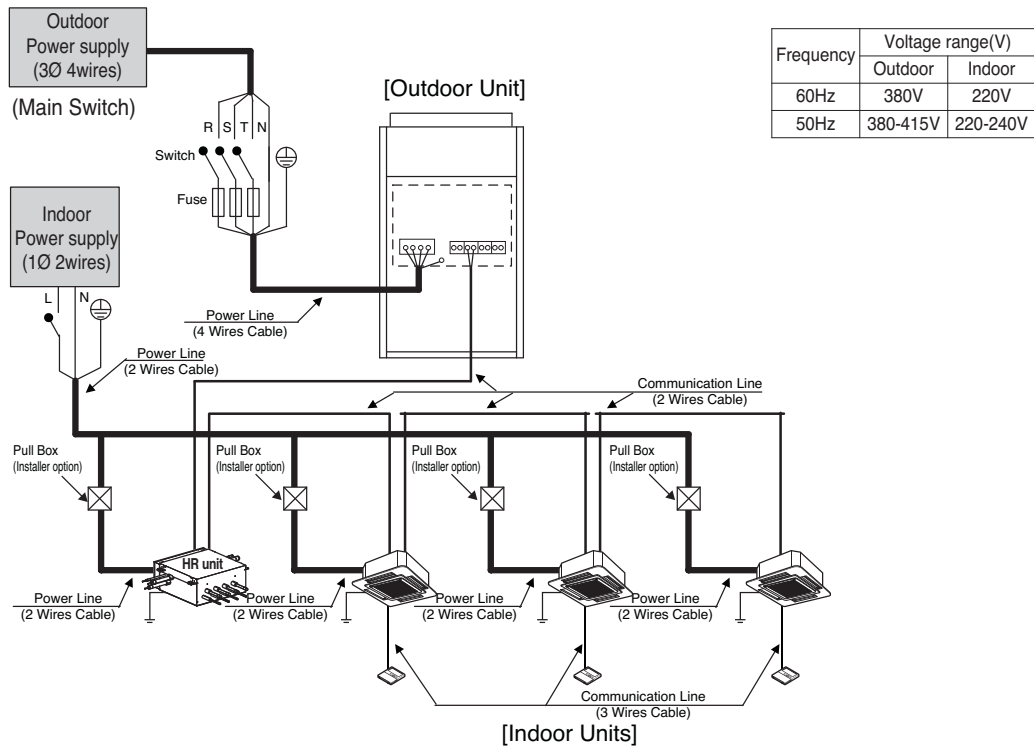
Outdoor Units

5. Field Wiring

5.1 50Hz / 60Hz

◆ Example Connection of Communication Cable

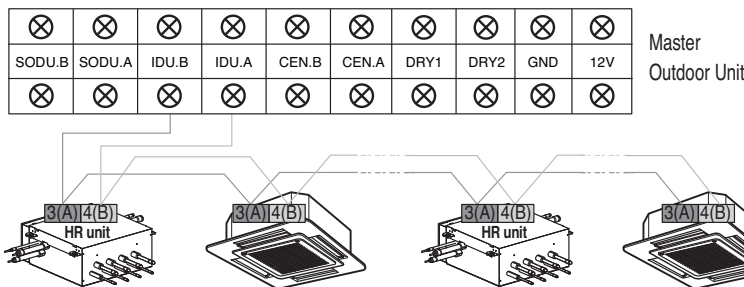
■ Single Outdoor Unit



⚠ WARNING

- Indoor Unit ground Lines are required for preventing electrical shock accident during current leakage, Communication disorder by noise effect and motor current leakage (without connection to pipe).
- Don't install an individual switch or electrical outlet to disconnect each of indoor unit separately from the power supply.
- Install the main switch that can interrupt all the power sources in an integrated manner because this system consists of the equipment utilizing the multiple power sources.
- If there exists the possibility of reversed phase, lose phase, momentary blackout or the power goes on and off while the product is operating, attach a reversed phase protection circuit locally.
Running the product in reversed phase may break the compressor and other parts.

Between Indoor and Master Outdoor unit

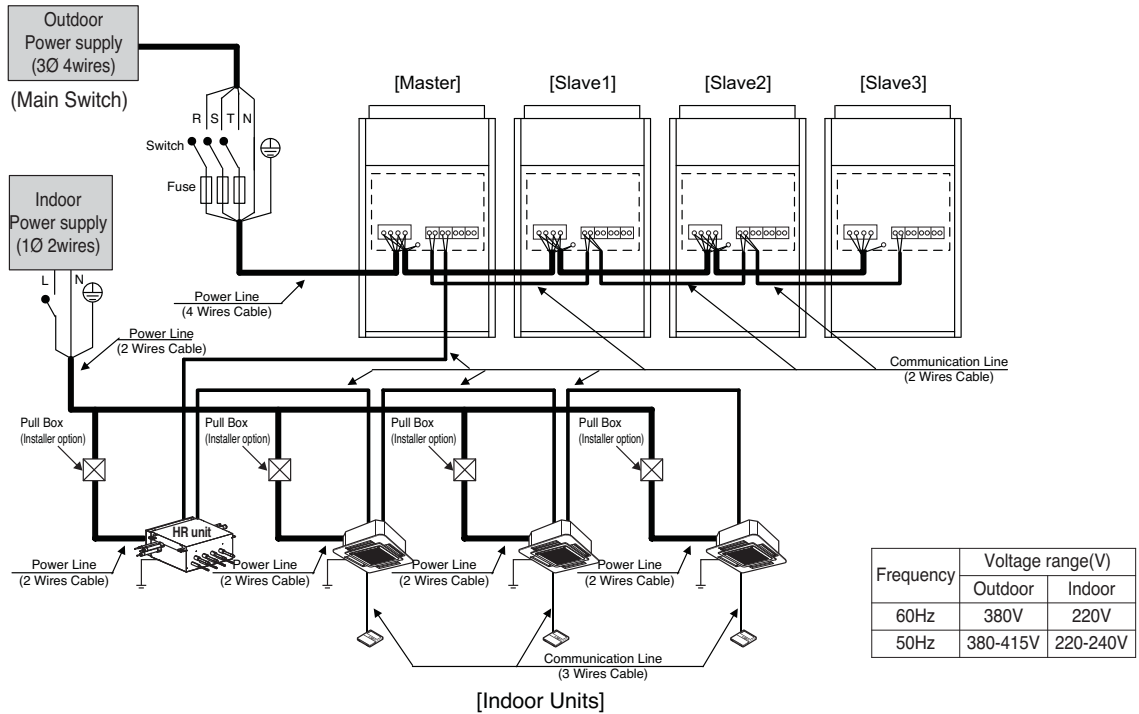


The GND terminal at the main PCB is a '- ' terminal for day contact, it is not the point to make ground connection.

5. Field Wiring

Series Outdoor Unit

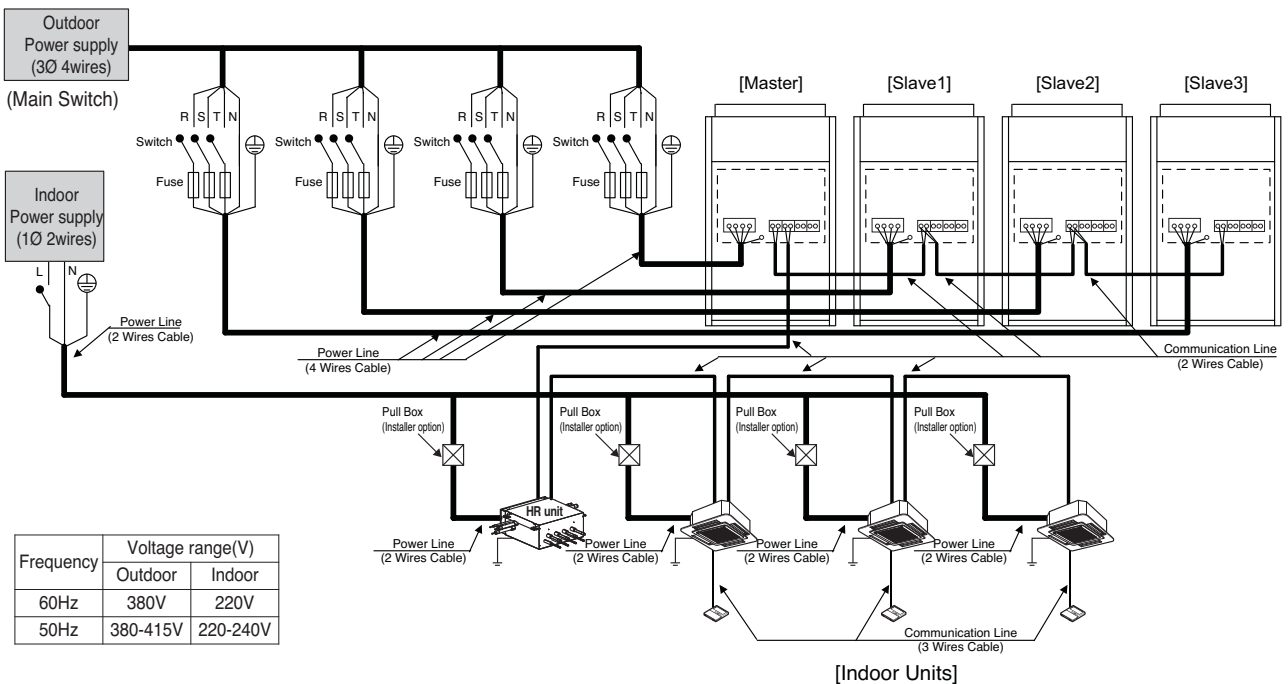
■ When the power source is connected In series between the units.



⚠ WARNING

When the total capacity is over than 68Hp, the power source do not use in series between the outdoor units.
The First terminal block could be burnt out.

■ When the power source is supplied to Each outdoor unit individually.

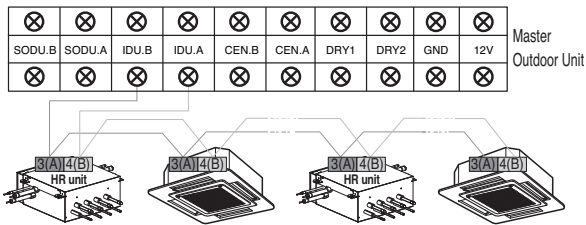


5. Field Wiring

⚠ WARNING

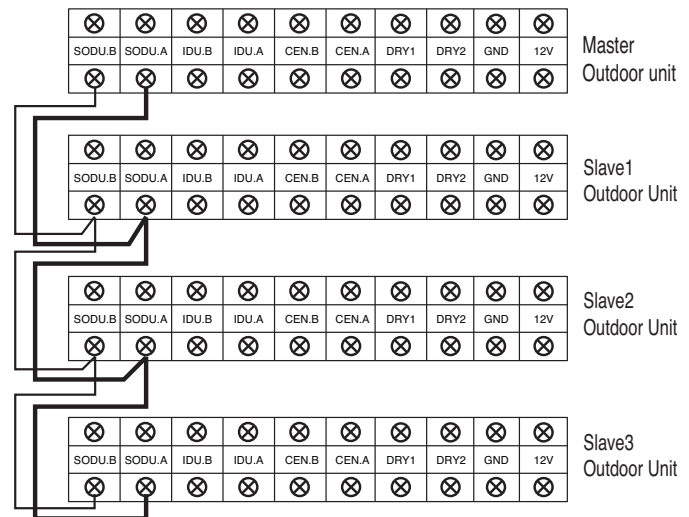
- Indoor Unit ground Lines are required for preventing electrical shock accident during current leakage, Communication disorder by noise effect and motor current leakage (without connection to pipe).
- Don't install an individual switch or electrical outlet to disconnect each of indoor unit separately from the power supply.
- Install the main switch that can interrupt all the power sources in an integrated manner because this system consists of the equipment utilizing the multiple power sources.
- If there exists the possibility of reversed phase, lose phase, momentary blackout or the power goes on and off while the product is operating, attach a reversed phase protection circuit locally.
Running the product in reversed phase may break the compressor and other parts.

Between Indoor and Master Outdoor unit



The GND terminal at the main PCB is a '-' terminal for dry contact.
It is not the point to make ground connection.

- Make sure that terminal number of master and slave outdoor units are matched.

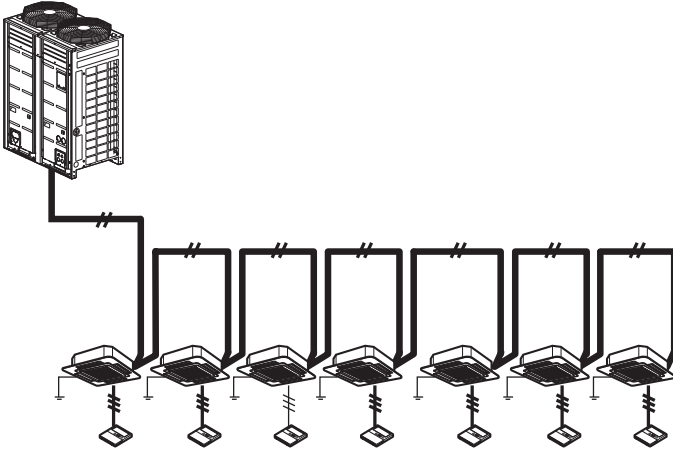


5. Field Wiring

◆ Example Connection of Communication Cable

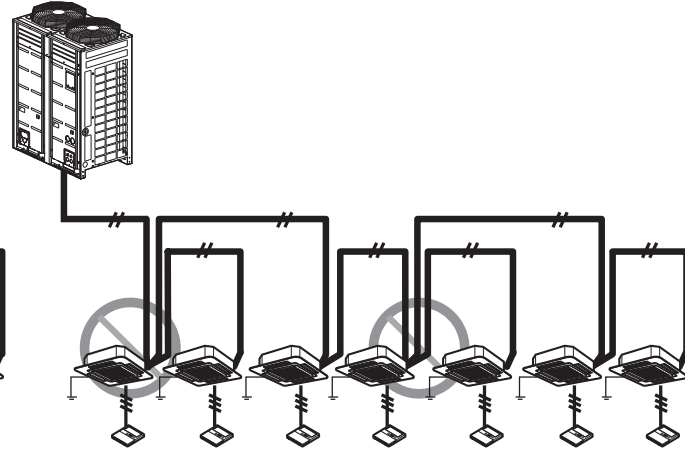
[BUS type]

- Connection of communication cable must be installed like below figure between indoor unit to outdoor unit.



[STAR type]

- Abnormal operation can be caused by communication defect, when connection of communication cable is installed like below figure(STAR type).



6. Electric Characteristics

◆ Wiring of Main Power Supply and Equipment Capacity

1. Use a separate power supply for the Outdoor Unit and Indoor Unit.
2. Bear in mind ambient conditions (ambient temperature, direct sunlight, rain liquid, etc.) when proceeding with the wiring and connections.
3. The wire size is the minimum value for metal conduit wiring. The power cord size should be 1 rank thicker taking into account the line voltage drops. Make sure the power-supply voltage does not drop more than 10%.
4. Specific wiring requirements should adhere to the wiring regulations of the region.
5. Power supply cords of parts of appliances for outdoor use should not be lighter than polychloroprene sheathed flexible cord.
6. Don't install an individual switch or electrical outlet to disconnect each of indoor unit separately from the power supply.

WARNING

- Follow ordinance of your governmental organization for technical standard related to electrical equipment, wiring regulations and guidance of each electric power company.
- Make sure to use specified wires for connections so that no external force is imparted to terminal connections. If connections are not fixed firmly, it may cause heating or fire.
- Make sure to use the appropriate type of overcurrent protection switch. Note that generated overcurrent may include some amount of direct current.

WARNING

- Some installation site may require attachment of an earth leakage breaker. If no earth leakage breaker is installed, it may cause an electric shock.
- Do not use anything other than breaker and fuse with correct capacity. Using fuse and wire or copper wire with too large capacity may cause a malfunction of unit or fire.

6. Electric Characteristics

◆ 50Hz

Model	Unit			Power Supply			COMP			OFM	
	Hz	Volts	Voltage-range	MCA	TOCA	MFA	MSC	RLA(Cooling)	RLA(Heating)	kW	FLA
8 HP	50	380-415	Min.:342, Max.:456	17.9	22.0	25	4.0	5.1	5.5	0.75	2.1
10 HP	50	380-415	Min.:342, Max.:456	23.8	30.0	32	4.5	6.8	7.0	0.75	2.1
12 HP	50	380-415	Min.:342, Max.:456	28.1	30.0	32	4.5	9.2	10.8	0.75	2.1
14 HP	50	380-415	Min.:342, Max.:456	31.0	30.0	32	4.5	11.4	13.3	1.20	2.6
16 HP	50	380-415	Min.:342, Max.:456	32.0	30.0	32	4.5	14.6	16.2	1.20	2.6
18 HP	50	380-415	Min.:342, Max.:456	38.9	44.0	50	8.0	13.7	16.0	1.20	2.6
20 HP	50	380-415	Min.:342, Max.:456	42.2	44.0	50	8.0	16.5	19.5	1.20	2.6
22 HP	50	380-415	Min.:342, Max.:456	51.9	60.0	63	9.0	16.0	17.8	1.50	4.2
24 HP	50	380-415	Min.:342, Max.:456	56.2	60.0	63	9.0	18.4	21.6	1.50	4.2
26 HP	50	380-415	Min.:342, Max.:456	59.1	60.0	63	9.0	20.6	24.0	1.95	4.7
28 HP	50	380-415	Min.:342, Max.:456	60.1	60.0	63	9.0	23.8	27.0	1.95	4.7
30 HP	50	380-415	Min.:342, Max.:456	67.0	74.0	80	12.5	22.9	26.8	1.95	4.7
32 HP	50	380-415	Min.:342, Max.:456	70.3	74.0	80	12.5	25.7	30.3	1.95	4.7
34 HP	50	380-415	Min.:342, Max.:456	73.2	74.0	80	12.5	27.9	32.7	2.40	5.2
36 HP	50	380-415	Min.:342, Max.:456	74.2	74.0	80	12.5	31.1	35.7	2.40	5.2
38 HP	50	380-415	Min.:342, Max.:456	81.1	88.0	100	16.0	30.1	35.4	2.40	5.2
40 HP	50	380-415	Min.:342, Max.:456	84.4	88.0	100	16.0	32.9	38.9	2.40	5.2
42 HP	50	380-415	Min.:342, Max.:456	93.7	104.0	100	17.0	31.9	36.2	2.70	7.3
44 HP	50	380-415	Min.:342, Max.:456	97.0	104.0	100	17.0	34.7	39.7	2.70	7.3
46 HP	50	380-415	Min.:342, Max.:456	98.0	104.0	100	17.0	37.9	42.7	3.15	7.3
48 HP	50	380-415	Min.:342, Max.:456	104.9	118.0	125	20.5	36.9	42.4	3.15	7.3
50 HP	50	380-415	Min.:342, Max.:456	108.2	118.0	125	20.5	39.7	45.9	3.15	7.3
52 HP	50	380-415	Min.:342, Max.:456	112.5	118.0	125	20.5	42.1	49.7	3.15	7.3
54 HP	50	380-415	Min.:342, Max.:456	115.4	118.0	125	20.5	44.3	52.2	3.60	7.8
56 HP	50	380-415	Min.:342, Max.:456	116.4	118.0	125	20.5	47.5	55.2	3.60	7.8
58 HP	50	380-415	Min.:342, Max.:456	123.3	132.0	150	24.0	46.6	54.9	3.60	7.8
60 HP	50	380-415	Min.:342, Max.:456	126.6	132.0	150	24.0	49.4	58.4	3.60	7.8
62 HP	50	380-415	Min.:342, Max.:456	132.9	134.0	150	21.5	51.1	58.7	3.90	10.4
64 HP	50	380-415	Min.:342, Max.:456	139.8	148.0	150	25.0	50.1	58.5	3.90	10.4
66 HP	50	380-415	Min.:342, Max.:456	140.8	148.0	150	25.0	53.3	61.4	4.35	10.4
68 HP	50	380-415	Min.:342, Max.:456	146.4	148.0	150	25.0	55.7	65.4	4.35	10.4
70 HP	50	380-415	Min.:342, Max.:456	147.4	148.0	150	25.0	58.9	68.4	4.35	10.4
72 HP	50	380-415	Min.:342, Max.:456	154.3	162.0	175	28.5	58.0	68.2	4.35	10.4
74 HP	50	380-415	Min.:342, Max.:456	155.3	162.0	175	28.5	61.2	71.1	4.80	10.4
76 HP	50	380-415	Min.:342, Max.:456	162.2	176.0	200	32.0	60.2	70.9	4.80	10.4
78 HP	50	380-415	Min.:342, Max.:456	165.5	176.0	200	32.0	63.0	74.4	4.80	10.4
80 HP	50	380-415	Min.:342, Max.:456	168.8	176.0	200	32.0	65.8	77.9	4.80	10.4

6. Electric Characteristics

◆ 60Hz

Model	Unit			Power Supply			COMP			OFM	
	Hz	Volts	Voltage-range	MCA	TOCA	MFA	MSC	RLA(Cooling)	RLA(Heating)	kW	FLA
8 HP	60	380	Min.:342, Max.:418	17.9	22.0	25	4.0	5.1	5.5	0.75	2.1
10 HP	60	380	Min.:342, Max.:418	23.8	30.0	32	4.5	6.8	7.0	0.75	2.1
12 HP	60	380	Min.:342, Max.:418	28.1	30.0	32	4.5	9.2	10.8	0.75	2.1
14 HP	60	380	Min.:342, Max.:418	31.0	30.0	32	4.5	11.4	13.3	1.20	2.6
16 HP	60	380	Min.:342, Max.:418	32.0	30.0	32	4.5	14.6	16.2	1.20	2.6
18 HP	60	380	Min.:342, Max.:418	38.9	44.0	50	8.0	13.7	16.0	1.20	2.6
20 HP	60	380	Min.:342, Max.:418	42.2	44.0	50	8.0	16.5	19.5	1.20	2.6
22 HP	60	380	Min.:342, Max.:418	51.9	60.0	63	9.0	16.0	17.8	1.50	4.2
24 HP	60	380	Min.:342, Max.:418	56.2	60.0	63	9.0	18.4	21.6	1.50	4.2
26 HP	60	380	Min.:342, Max.:418	59.1	60.0	63	9.0	20.6	24.0	1.95	4.7
28 HP	60	380	Min.:342, Max.:418	60.1	60.0	63	9.0	23.8	27.0	1.95	4.7
30 HP	60	380	Min.:342, Max.:418	67.0	74.0	80	12.5	22.9	26.8	1.95	4.7
32 HP	60	380	Min.:342, Max.:418	70.3	74.0	80	12.5	25.7	30.3	1.95	4.7
34 HP	60	380	Min.:342, Max.:418	73.2	74.0	80	12.5	27.9	32.7	2.40	5.2
36 HP	60	380	Min.:342, Max.:418	74.2	74.0	80	12.5	31.1	35.7	2.40	5.2
38 HP	60	380	Min.:342, Max.:418	81.1	88.0	100	16.0	30.1	35.4	2.40	5.2
40 HP	60	380	Min.:342, Max.:418	84.4	88.0	100	16.0	32.9	38.9	2.40	5.2
42 HP	60	380	Min.:342, Max.:418	93.7	104.0	100	17.0	31.9	36.2	2.70	7.3
44 HP	60	380	Min.:342, Max.:418	97.0	104.0	100	17.0	34.7	39.7	2.70	7.3
46 HP	60	380	Min.:342, Max.:418	98.0	104.0	100	17.0	37.9	42.7	3.15	7.3
48 HP	60	380	Min.:342, Max.:418	104.9	118.0	125	20.5	36.9	42.4	3.15	7.3
50 HP	60	380	Min.:342, Max.:418	108.2	118.0	125	20.5	39.7	45.9	3.15	7.3
52 HP	60	380	Min.:342, Max.:418	112.5	118.0	125	20.5	42.1	49.7	3.15	7.3
54 HP	60	380	Min.:342, Max.:418	115.4	118.0	125	20.5	44.3	52.2	3.60	7.8
56 HP	60	380	Min.:342, Max.:418	116.4	118.0	125	20.5	47.5	55.2	3.60	7.8
58 HP	60	380	Min.:342, Max.:418	123.3	132.0	150	24.0	46.6	54.9	3.60	7.8
60 HP	60	380	Min.:342, Max.:418	126.6	132.0	150	24.0	49.4	58.4	3.60	7.8
62 HP	60	380	Min.:342, Max.:418	132.9	134.0	150	21.5	51.1	58.7	3.90	10.4
64 HP	60	380	Min.:342, Max.:418	139.8	148.0	150	25.0	50.1	58.5	3.90	10.4
66 HP	60	380	Min.:342, Max.:418	140.8	148.0	150	25.0	53.3	61.4	4.35	10.4
68 HP	60	380	Min.:342, Max.:418	146.4	148.0	150	25.0	55.7	65.4	4.35	10.4
70 HP	60	380	Min.:342, Max.:418	147.4	148.0	150	25.0	58.9	68.4	4.35	10.4
72 HP	60	380	Min.:342, Max.:418	154.3	162.0	175	28.5	58.0	68.2	4.35	10.4
74 HP	60	380	Min.:342, Max.:418	155.3	162.0	175	28.5	61.2	71.1	4.80	10.4
76 HP	60	380	Min.:342, Max.:418	162.2	176.0	200	32.0	60.2	70.9	4.80	10.4
78 HP	60	380	Min.:342, Max.:418	165.5	176.0	200	32.0	63.0	74.4	4.80	10.4
80 HP	60	380	Min.:342, Max.:418	168.8	176.0	200	32.0	65.8	77.9	4.80	10.4

6. Electric Characteristics

Notes:

1. Voltage range
Voltage supplied to the unit terminals should be within the minimum and maximum range
2. Maximum allowable voltage unbalance between phase is 2%
3. OFM is measured as the outdoor unit test condition.
4. Select wire spec. based on the larger value of MCA or TOCA.
5. TOCA means the total over current value of each outdoor unit.
6. MSC means the Max. current during the starting of compressor.
7. Recommended circuit breaker is ELCB
(Earth Leakage Circuit Breaker)
8. MFA is used to select the circuit breaker and ground fault circuit interrupter (earth leakage circuit breaker)

MCA : Minimum Circuit Amperes (A)
MSC : Maximum Starting Current
RLA : Rated Load Amperes (A)
OFM : Outdoor Fan Motor
kW : Fan Motor rated output (kW)
FLA : Full Load Amperes (A)
MFA: Maximum Fuse Amperes(A)
TOCA: Total Over Current Amperes(A)

7. Capacity Tables

7.1 Heat Pump

7.1.1 Cooling Capacity

ARUB080LTE4

Cooling Capacity(8HP)

Combination (%)	Outdoor air temp °C DB	Indoor air temp. (DB/WB, °C)													
		20		23		26		27		28		30		32	
		14		16		18		19		20		22		24	
		TC	PI	TC	PI	TC	PI	TC	PI	TC	PI	TC	PI	TC	PI
130	10	20.5	1.86	24.4	2.27	28.3	2.63	29.4	2.69	29.7	2.72	30.5	2.73	31.2	2.75
	12	20.5	1.90	24.4	2.35	28.3	2.74	29.0	2.76	29.5	2.81	30.1	2.84	30.8	2.86
	14	20.5	1.97	24.4	2.44	28.2	2.85	28.6	2.87	29.0	2.92	29.7	2.94	30.5	2.97
	16	20.5	2.04	24.4	2.52	27.9	2.97	28.2	3.00	28.6	3.02	29.3	3.05	30.1	3.08
	18	20.5	2.13	24.4	2.67	27.5	3.13	27.8	3.16	28.2	3.18	29.0	3.19	29.7	3.21
	20	20.5	2.22	24.4	2.84	27.1	3.28	27.5	3.31	27.8	3.33	28.6	3.35	29.3	3.37
	21	20.5	2.28	24.4	2.94	26.9	3.36	27.3	3.39	27.6	3.41	28.4	3.43	29.1	3.45
	23	20.5	2.44	24.4	3.16	26.6	3.50	26.9	3.54	27.3	3.56	28.0	3.58	28.7	3.60
	25	20.5	2.61	24.4	3.37	26.1	3.66	26.6	3.69	26.9	3.72	27.6	3.74	28.4	3.76
	27	20.5	2.79	24.4	3.61	25.8	3.82	26.1	3.84	26.6	3.87	27.3	3.89	28.0	3.92
	29	20.5	2.98	24.4	3.86	25.4	3.97	25.8	4.00	26.1	4.03	26.9	4.05	27.6	4.07
	31	20.5	3.17	24.3	4.06	25.0	4.13	25.4	4.16	25.8	4.18	26.5	4.21	27.2	4.23
	33	20.5	3.38	23.9	4.22	24.6	4.29	25.0	4.32	25.4	4.34	26.1	4.36	26.8	4.39
	35	20.5	3.61	23.5	4.37	24.2	4.45	24.6	4.48	25.0	4.49	25.7	4.52	26.5	4.54
37	20.5	3.73	23.1	4.45	23.9	4.54	24.2	4.57	24.6	4.59	25.3	4.60	26.1	4.64	
39	20.5	3.86	22.7	4.54	23.5	4.63	23.9	4.66	24.2	4.68	25.0	4.69	25.7	4.73	
120	10	18.9	1.67	22.5	2.05	26.2	2.44	28.0	2.63	29.4	2.67	30.0	2.68	30.7	2.70
	12	18.9	1.72	22.5	2.12	26.2	2.53	28.0	2.69	29.0	2.77	29.6	2.81	30.3	2.82
	14	18.9	1.78	22.5	2.19	26.2	2.64	28.0	2.79	28.5	2.87	29.3	2.92	30.0	2.94
	16	18.9	1.84	22.5	2.28	26.2	2.74	27.9	2.94	28.2	3.01	28.9	3.02	29.5	3.05
	18	18.9	1.91	22.5	2.38	26.2	2.90	27.5	3.10	27.8	3.16	28.5	3.17	29.2	3.19
	20	18.9	1.98	22.5	2.53	26.2	3.09	27.1	3.28	27.5	3.32	28.1	3.33	28.8	3.34
	21	18.9	2.04	22.5	2.62	26.2	3.20	26.9	3.36	27.2	3.39	28.0	3.41	28.6	3.42
	23	18.9	2.19	22.5	2.80	26.2	3.42	26.5	3.51	26.9	3.55	27.5	3.56	28.2	3.58
	25	18.9	2.34	22.5	3.00	25.8	3.60	26.1	3.67	26.4	3.70	27.2	3.72	27.9	3.73
	27	18.9	2.49	22.5	3.21	25.4	3.79	25.8	3.81	26.1	3.86	26.8	3.87	27.5	3.89
	29	18.9	2.66	22.5	3.42	25.0	3.94	25.4	3.97	25.7	4.01	26.4	4.03	27.1	4.04
	31	18.9	2.83	22.5	3.66	24.6	4.11	25.0	4.12	25.4	4.16	26.0	4.18	26.7	4.20
	33	18.9	3.02	22.5	3.90	24.3	4.26	24.6	4.28	24.9	4.32	25.6	4.34	26.3	4.35
	35	18.9	3.21	22.5	4.16	23.9	4.42	24.2	4.44	24.6	4.47	25.3	4.49	25.9	4.51
37	18.9	3.35	22.5	4.26	23.5	4.50	23.9	4.53	24.2	4.54	24.9	4.57	25.5	4.58	
39	18.9	3.49	22.4	4.36	23.1	4.57	23.4	4.61	23.8	4.62	24.5	4.65	25.2	4.66	
110	10	17.3	1.50	20.7	1.83	24.0	2.18	25.7	2.36	27.3	2.54	29.4	2.64	30.1	2.65
	12	17.3	1.55	20.7	1.89	24.0	2.27	25.7	2.42	27.3	2.63	29.1	2.74	29.7	2.78
	14	17.3	1.60	20.7	1.98	24.0	2.37	25.7	2.54	27.3	2.76	28.7	2.84	29.3	2.90
	16	17.3	1.66	20.7	2.05	24.0	2.47	25.7	2.65	27.3	2.93	28.3	3.00	28.9	3.02
	18	17.3	1.72	20.7	2.14	24.0	2.61	25.7	2.83	27.3	3.10	27.9	3.16	28.6	3.17
	20	17.3	1.78	20.7	2.24	24.0	2.77	25.7	3.01	26.9	3.27	27.6	3.31	28.2	3.32
	21	17.3	1.82	20.7	2.31	24.0	2.87	25.7	3.12	26.7	3.35	27.3	3.39	28.0	3.40
	23	17.3	1.94	20.7	2.48	24.0	3.08	25.7	3.31	26.3	3.51	27.0	3.54	27.6	3.55
	25	17.3	2.07	20.7	2.64	24.0	3.29	25.7	3.51	26.0	3.66	26.6	3.69	27.2	3.71
	27	17.3	2.21	20.7	2.83	24.0	3.52	25.2	3.70	25.6	3.83	26.2	3.85	26.8	3.86
	29	17.3	2.36	20.7	3.02	24.0	3.76	24.9	3.86	25.2	3.98	25.8	4.00	26.5	4.02
	31	17.3	2.51	20.7	3.22	24.0	4.01	24.5	4.03	24.8	4.14	25.5	4.16	26.1	4.17
	33	17.3	2.68	20.7	3.42	23.8	4.24	24.2	4.21	24.5	4.29	25.1	4.31	25.7	4.33
	35	17.3	2.84	20.7	3.66	23.4	4.39	23.7	4.40	24.1	4.45	24.7	4.46	25.3	4.48
37	17.3	2.95	20.7	3.77	23.1	4.47	23.4	4.47	23.7	4.51	24.3	4.54	24.9	4.55	
39	17.3	3.07	20.7	3.88	22.7	4.54	23.0	4.55	23.3	4.58	23.9	4.61	24.6	4.62	
100	10	15.1	1.43	18.0	1.74	21.0	2.07	22.4	2.23	23.8	2.40	26.8	2.67	29.4	2.69
	12	15.1	1.48	18.0	1.81	21.0	2.14	22.4	2.29	23.8	2.48	26.8	2.82	29.0	2.84
	14	15.1	1.53	18.0	1.89	21.0	2.23	22.4	2.39	23.8	2.58	26.8	2.97	28.7	3.00
	16	15.1	1.57	18.0	1.95	21.0	2.32	22.4	2.51	23.8	2.72	26.8	3.12	28.3	3.16
	18	15.1	1.62	18.0	2.02	21.0	2.41	22.4	2.63	23.8	2.89	26.8	3.29	27.9	3.32
	20	15.1	1.68	18.0	2.10	21.0	2.55	22.4	2.82	23.8	3.09	26.8	3.45	27.5	3.48
	21	15.1	1.71	18.0	2.15	21.0	2.64	22.4	2.91	23.8	3.20	26.8	3.53	27.4	3.56
	23	15.1	1.81	18.0	2.30	21.0	2.84	22.4	3.13	23.8	3.43	26.4	3.70	27.0	3.73
	25	15.1	1.93	18.0	2.45	21.0	3.03	22.4	3.35	23.8	3.67	26.0	3.85	26.6	3.89
	27	15.1	2.06	18.0	2.61	21.0	3.24	22.4	3.57	23.8	3.90	25.7	4.04	26.2	4.07
	29	15.1	2.19	18.0	2.79	21.0	3.46	22.4	3.82	23.8	4.13	25.3	4.20	25.8	4.23
	31	15.1	2.34	18.0	2.98	21.0	3.69	22.4	4.08	23.8	4.34	24.9	4.36	25.4	4.40
	33	15.1	2.48	18.0	3.17	21.0	3.94	22.4	4.35	23.8	4.50	24.5	4.52	25.0	4.56
	35	15.1	2.64	18.0	3.37	21.0	4.19	22.4	4.64	23.5	4.67	24.1	4.69	24.6	4.72
37	15.1	2.75	18.0	3.51	21.0	4.31	22.4	4.72	23.1	4.74	23.8	4.76	24.3	4.81	
39	15.1	2.85	18.0	3.65	21.0	4.42	22.4	4.80	22.7	4.82	23.4	4.84	23.9	4.88	

Notes:
 1. TC: Total Capacity(kW) PI : Power Input(kW)(Comp. + Outdoor fan motor)
 2. Capacity tables show the average value of conditions which may occur.

Outdoor Units

7. Capacity Tables

Cooling Capacity(8HP)

Combination (%)	Outdoor air temp °C DB	Indoor air temp. (DB/WB, °C)													
		20		23		26		27		28		30		32	
		14		16		18		19		20		22		24	
		TC	PI	TC	PI	TC	PI	TC	PI	TC	PI	TC	PI	TC	PI
90	10	13.6	1.27	16.2	1.53	18.9	1.80	20.2	1.94	21.4	2.09	24.1	2.33	26.7	2.54
	12	13.6	1.28	16.2	1.55	18.9	1.83	20.2	1.98	21.4	2.13	24.1	2.38	26.7	2.64
	14	13.6	1.31	16.2	1.58	18.9	1.87	20.2	2.02	21.4	2.17	24.1	2.43	26.7	2.70
	16	13.6	1.33	16.2	1.61	18.9	1.91	20.2	2.05	21.4	2.21	24.1	2.47	26.7	2.74
	18	13.6	1.35	16.2	1.64	18.9	1.94	20.2	2.10	21.4	2.26	24.1	2.53	26.7	2.88
	20	13.6	1.38	16.2	1.67	18.9	1.98	20.2	2.14	21.4	2.34	24.1	2.70	26.7	3.02
	21	13.6	1.39	16.2	1.69	18.9	2.02	20.2	2.21	21.4	2.43	24.1	2.80	26.7	3.09
	23	13.6	1.42	16.2	1.76	18.9	2.16	20.2	2.37	21.4	2.60	24.1	3.00	26.4	3.23
	25	13.6	1.49	16.2	1.88	18.9	2.30	20.2	2.54	21.4	2.78	24.1	3.21	26.0	3.37
	27	13.6	1.60	16.2	2.00	18.9	2.46	20.2	2.71	21.4	2.97	24.1	3.42	25.6	3.53
	29	13.6	1.69	16.2	2.13	18.9	2.63	20.2	2.89	21.4	3.18	24.1	3.66	25.2	3.67
	31	13.6	1.80	16.2	2.27	18.9	2.80	20.2	3.08	21.4	3.39	24.1	3.80	24.8	3.81
	33	13.6	1.91	16.2	2.42	18.9	2.99	20.2	3.28	21.4	3.59	24.1	3.94	24.4	3.95
	35	13.6	2.03	16.2	2.57	18.9	3.18	20.2	3.50	21.4	3.81	23.7	4.08	24.1	4.10
	37	13.6	2.16	16.2	2.73	18.9	3.39	20.2	3.72	21.4	4.02	23.3	4.23	23.7	4.24
	39	13.6	2.28	16.2	2.91	18.9	3.58	20.2	3.92	21.4	4.23	22.9	4.37	23.3	4.38
80	10	12.1	1.19	14.4	1.44	16.7	1.68	17.9	1.82	19.1	1.95	21.4	2.22	23.8	2.41
	12	12.1	1.22	14.4	1.45	16.7	1.72	17.9	1.85	19.1	1.98	21.4	2.27	23.8	2.46
	14	12.1	1.24	14.4	1.49	16.7	1.74	17.9	1.88	19.1	2.02	21.4	2.31	23.8	2.51
	16	12.1	1.25	14.4	1.51	16.7	1.78	17.9	1.92	19.1	2.06	21.4	2.36	23.8	2.56
	18	12.1	1.28	14.4	1.54	16.7	1.81	17.9	1.95	19.1	2.10	21.4	2.40	23.8	2.61
	20	12.1	1.30	14.4	1.57	16.7	1.85	17.9	1.99	19.1	2.14	21.4	2.49	23.8	2.80
	21	12.1	1.31	14.4	1.58	16.7	1.87	17.9	2.02	19.1	2.19	21.4	2.57	23.8	2.90
	23	12.1	1.34	14.4	1.61	16.7	1.95	17.9	2.14	19.1	2.34	21.4	2.71	23.8	3.11
	25	12.1	1.39	14.4	1.72	16.7	2.09	17.9	2.29	19.1	2.51	21.4	2.90	23.8	3.32
	27	12.1	1.47	14.4	1.83	16.7	2.23	17.9	2.45	19.1	2.67	21.4	3.08	23.8	3.53
	29	12.1	1.56	14.4	1.95	16.7	2.37	17.9	2.61	19.1	2.85	21.4	3.30	23.8	3.67
	31	12.1	1.66	14.4	2.07	16.7	2.53	17.9	2.78	19.1	3.04	21.4	3.51	23.8	3.81
	33	12.1	1.76	14.4	2.21	16.7	2.70	17.9	2.96	19.1	3.24	21.4	3.69	23.8	3.95
	35	12.1	1.87	14.4	2.34	16.7	2.87	17.9	3.15	19.1	3.45	21.4	3.92	23.5	4.10
	37	12.1	1.97	14.4	2.49	16.7	3.05	17.9	3.35	19.1	3.67	21.4	4.13	23.1	4.24
	39	12.1	2.09	14.4	2.63	16.7	3.23	17.9	3.53	19.1	3.90	21.4	4.32	22.7	4.38
70	10	10.6	1.07	12.6	1.27	14.6	1.47	15.7	1.59	16.7	1.70	18.7	1.93	20.8	2.16
	12	10.6	1.08	12.6	1.29	14.6	1.50	15.7	1.61	16.7	1.73	18.7	1.97	20.8	2.20
	14	10.6	1.10	12.6	1.30	14.6	1.53	15.7	1.64	16.7	1.76	18.7	2.01	20.8	2.24
	16	10.6	1.12	12.6	1.33	14.6	1.55	15.7	1.67	16.7	1.79	18.7	2.04	20.8	2.29
	18	10.6	1.13	12.6	1.35	14.6	1.59	15.7	1.71	16.7	1.82	18.7	2.08	20.8	2.33
	20	10.6	1.15	12.6	1.38	14.6	1.61	15.7	1.74	16.7	1.87	18.7	2.13	20.8	2.42
	21	10.6	1.17	12.6	1.39	14.6	1.63	15.7	1.76	16.7	1.88	18.7	2.16	20.8	2.50
	23	10.6	1.19	12.6	1.42	14.6	1.66	15.7	1.82	16.7	1.98	18.7	2.31	20.8	2.64
	25	10.6	1.20	12.6	1.47	14.6	1.77	15.7	1.94	16.7	2.11	18.7	2.47	20.8	2.82
	27	10.6	1.27	12.6	1.57	14.6	1.89	15.7	2.06	16.7	2.25	18.7	2.64	20.8	3.00
	29	10.6	1.35	12.6	1.66	14.6	2.01	15.7	2.19	16.7	2.40	18.7	2.82	20.8	3.21
	31	10.6	1.44	12.6	1.77	14.6	2.14	15.7	2.34	16.7	2.56	18.7	3.00	20.8	3.41
	33	10.6	1.52	12.6	1.87	14.6	2.28	15.7	2.49	16.7	2.71	18.7	3.19	20.8	3.59
	35	10.6	1.61	12.6	2.00	14.6	2.42	15.7	2.65	16.7	2.89	18.7	3.40	20.8	3.81
	37	10.6	1.71	12.6	2.12	14.6	2.57	15.7	2.82	16.7	3.08	18.7	3.62	20.8	4.02
	39	10.6	1.79	12.6	2.24	14.6	2.72	15.7	2.97	16.7	3.26	18.7	3.84	20.8	4.20
60	10	9.0	0.94	10.8	1.10	12.6	1.28	13.4	1.37	14.3	1.46	16.1	1.65	17.8	1.85
	12	9.0	0.95	10.8	1.12	12.6	1.29	13.4	1.39	14.3	1.48	16.1	1.68	17.8	1.88
	14	9.0	0.96	10.8	1.13	12.6	1.32	13.4	1.41	14.3	1.51	16.1	1.71	17.8	1.92
	16	9.0	0.98	10.8	1.16	12.6	1.34	13.4	1.44	14.3	1.54	16.1	1.74	17.8	1.95
	18	9.0	1.00	10.8	1.17	12.6	1.36	13.4	1.46	14.3	1.57	16.1	1.77	17.8	1.99
	20	9.0	1.01	10.8	1.19	12.6	1.39	13.4	1.49	14.3	1.59	16.1	1.80	17.8	2.03
	21	9.0	1.02	10.8	1.20	12.6	1.40	13.4	1.51	14.3	1.61	16.1	1.83	17.8	2.05
	23	9.0	1.04	10.8	1.23	12.6	1.42	13.4	1.53	14.3	1.64	16.1	1.90	17.8	2.18
	25	9.0	1.06	10.8	1.25	12.6	1.48	13.4	1.61	14.3	1.74	16.1	2.03	17.8	2.33
	27	9.0	1.09	10.8	1.32	12.6	1.57	13.4	1.71	14.3	1.86	16.1	2.15	17.8	2.49
	29	9.0	1.16	10.8	1.40	12.6	1.68	13.4	1.82	14.3	1.97	16.1	2.30	17.8	2.66
	31	9.0	1.23	10.8	1.49	12.6	1.78	13.4	1.94	14.3	2.10	16.1	2.45	17.8	2.83
	33	9.0	1.29	10.8	1.57	12.6	1.89	13.4	2.06	14.3	2.24	16.1	2.60	17.8	3.01
	35	9.0	1.37	10.8	1.68	12.6	2.01	13.4	2.19	14.3	2.37	16.1	2.77	17.8	3.20
	37	9.0	1.45	10.8	1.77	12.6	2.13	13.4	2.32	14.3	2.52	16.1	2.95	17.8	3.40
	39	9.0	1.52	10.8	1.87	12.6	2.25	13.4	2.47	14.3	2.66	16.1	3.13	17.8	3.61

Notes:

1. TC: Total Capacity(kW) PI : Power Input(kW)(Comp. + Outdoor fan motor)
2. Capacity tables show the average value of conditions which may occur.

7. Capacity Tables

Cooling Capacity(8HP)

Combination (%)	Outdoor air temp °C DB	Indoor air temp. (DB/WB, °C)													
		20		23		26		27		28		30		32	
		14		16		18		19		20		22		24	
		TC	PI	TC	PI	TC	PI	TC	PI	TC	PI	TC	PI	TC	PI
50	10	7.6	0.82	9.0	0.95	10.5	1.08	11.2	1.15	11.9	1.22	13.4	1.38	14.9	1.53
	12	7.6	0.83	9.0	0.96	10.5	1.09	11.2	1.17	11.9	1.25	13.4	1.40	14.9	1.56
	14	7.6	0.84	9.0	0.97	10.5	1.11	11.2	1.19	11.9	1.27	13.4	1.42	14.9	1.59
	16	7.6	0.85	9.0	0.99	10.5	1.13	11.2	1.22	11.9	1.28	13.4	1.45	14.9	1.61
	18	7.6	0.86	9.0	1.00	10.5	1.15	11.2	1.23	11.9	1.31	13.4	1.47	14.9	1.65
	20	7.6	0.87	9.0	1.02	10.5	1.17	11.2	1.25	11.9	1.34	13.4	1.50	14.9	1.68
	21	7.6	0.88	9.0	1.03	10.5	1.18	11.2	1.27	11.9	1.34	13.4	1.52	14.9	1.70
	23	7.6	0.90	9.0	1.04	10.5	1.20	11.2	1.28	11.9	1.37	13.4	1.54	14.9	1.73
	25	7.6	0.90	9.0	1.06	10.5	1.22	11.2	1.31	11.9	1.41	13.4	1.62	14.9	1.85
	27	7.6	0.92	9.0	1.09	10.5	1.29	11.2	1.40	11.9	1.50	13.4	1.73	14.9	1.97
	29	7.6	0.97	9.0	1.16	10.5	1.37	11.2	1.48	11.9	1.59	13.4	1.84	14.9	2.09
	31	7.6	1.03	9.0	1.23	10.5	1.46	11.2	1.57	11.9	1.70	13.4	1.96	14.9	2.23
	33	7.6	1.09	9.0	1.30	10.5	1.54	11.2	1.66	11.9	1.80	13.4	2.08	14.9	2.38
	35	7.6	1.15	9.0	1.38	10.5	1.63	11.2	1.77	11.9	1.90	13.4	2.20	14.9	2.53
	37	7.6	1.22	9.0	1.46	10.5	1.72	11.2	1.87	11.9	2.02	13.4	2.34	14.9	2.68
39	7.6	1.27	9.0	1.53	10.5	1.83	11.2	1.97	11.9	2.12	13.4	2.47	14.9	2.84	

Notes:

1. TC: Total Capacity(kW) PI : Power Input(kW)(Comp. + Outdoor fan motor)
2. Capacity tables show the average value of conditions which may occur.

7. Capacity Tables

ARUB100LTE4

Cooling Capacity(10HP)

Combination (%)	Outdoor air temp °C DB	Indoor air temp. (DB/WB, °C)														
		20		23		26		27		28		30		32		
		14		16		18		19		20		22		24		
		TC	PI	TC	PI	TC	PI	TC	PI	TC	PI	TC	PI	TC	PI	
130	10	25.6	2.28	30.5	2.79	35.4	3.24	36.7	3.30	37.2	3.34	38.1	3.35	39.0	3.37	
	12	25.6	2.34	30.5	2.89	35.4	3.37	36.2	3.39	36.8	3.46	37.6	3.49	38.5	3.51	
	14	25.6	2.42	30.5	2.99	35.3	3.50	35.8	3.52	36.2	3.58	37.2	3.62	38.1	3.64	
	16	25.6	2.51	30.5	3.10	34.9	3.65	35.3	3.69	35.7	3.71	36.6	3.75	37.6	3.78	
	18	25.6	2.61	30.5	3.28	34.3	3.85	34.8	3.88	35.3	3.90	36.2	3.92	37.2	3.95	
	20	25.6	2.73	30.5	3.49	33.8	4.03	34.4	4.07	34.8	4.09	35.7	4.11	36.6	4.14	
	21	25.6	2.80	30.5	3.61	33.6	4.12	34.1	4.17	34.6	4.19	35.5	4.21	36.4	4.23	
	23	25.6	3.00	30.5	3.88	33.2	4.30	33.6	4.34	34.1	4.38	35.0	4.40	35.9	4.43	
	25	25.6	3.21	30.5	4.14	32.7	4.49	33.2	4.54	33.6	4.57	34.6	4.59	35.5	4.62	
	27	25.6	3.43	30.5	4.43	32.3	4.69	32.7	4.72	33.2	4.76	34.1	4.78	35.0	4.81	
	29	25.6	3.65	30.5	4.74	31.7	4.88	32.2	4.92	32.7	4.95	33.6	4.97	34.6	5.00	
	31	25.6	3.90	30.4	4.99	31.2	5.08	31.7	5.11	32.2	5.14	33.1	5.17	34.0	5.20	
	33	25.6	4.15	29.9	5.18	30.8	5.27	31.3	5.30	31.7	5.33	32.7	5.36	33.5	5.39	
	35	25.6	4.43	29.3	5.37	30.3	5.46	30.8	5.50	31.3	5.52	32.2	5.55	33.1	5.58	
	37	25.6	4.59	28.9	5.47	29.9	5.57	30.3	5.62	30.8	5.64	31.6	5.65	32.6	5.70	
	39	25.6	4.74	28.4	5.58	29.3	5.68	29.9	5.72	30.3	5.74	31.2	5.76	32.2	5.80	
	120	10	23.7	2.05	28.2	2.52	32.7	2.99	35.0	3.23	36.7	3.28	37.5	3.30	38.4	3.31
		12	23.7	2.11	28.2	2.60	32.7	3.11	35.0	3.30	36.2	3.41	37.0	3.45	37.9	3.46
		14	23.7	2.18	28.2	2.69	32.7	3.24	35.0	3.43	35.7	3.53	36.6	3.58	37.4	3.61
16		23.7	2.26	28.2	2.80	32.7	3.36	34.8	3.61	35.3	3.69	36.1	3.71	36.9	3.75	
18		23.7	2.35	28.2	2.93	32.7	3.57	34.3	3.81	34.7	3.88	35.6	3.90	36.5	3.91	
20		23.7	2.44	28.2	3.10	32.7	3.80	33.9	4.03	34.3	4.07	35.1	4.09	36.0	4.11	
21		23.7	2.51	28.2	3.22	32.7	3.93	33.6	4.12	34.0	4.17	34.9	4.18	35.8	4.20	
23		23.7	2.68	28.2	3.44	32.7	4.20	33.2	4.31	33.6	4.36	34.4	4.37	35.3	4.39	
25		23.7	2.87	28.2	3.69	32.2	4.42	32.6	4.50	33.1	4.55	34.0	4.56	34.8	4.58	
27		23.7	3.06	28.2	3.94	31.8	4.65	32.2	4.69	32.6	4.74	33.5	4.75	34.3	4.77	
29		23.7	3.27	28.2	4.21	31.3	4.84	31.7	4.88	32.1	4.92	33.0	4.94	33.9	4.96	
31		23.7	3.48	28.2	4.49	30.8	5.04	31.3	5.06	31.7	5.11	32.5	5.13	33.4	5.16	
33		23.7	3.71	28.2	4.79	30.4	5.23	30.8	5.26	31.2	5.30	32.0	5.32	32.9	5.35	
35		23.7	3.94	28.2	5.10	29.8	5.43	30.2	5.45	30.8	5.49	31.6	5.51	32.4	5.54	
37		23.7	4.12	28.2	5.23	29.4	5.52	29.8	5.56	30.2	5.58	31.1	5.62	31.9	5.63	
39		23.7	4.29	28.1	5.35	28.9	5.62	29.3	5.66	29.7	5.68	30.7	5.71	31.5	5.73	
110		10	21.7	1.85	25.8	2.25	30.0	2.67	32.1	2.89	34.2	3.11	36.8	3.24	37.6	3.25
		12	21.7	1.90	25.8	2.33	30.0	2.78	32.1	2.98	34.2	3.23	36.4	3.37	37.1	3.41
		14	21.7	1.96	25.8	2.43	30.0	2.91	32.1	3.12	34.2	3.39	35.8	3.49	36.7	3.56
	16	21.7	2.03	25.8	2.52	30.0	3.03	32.1	3.26	34.2	3.60	35.4	3.69	36.1	3.71	
	18	21.7	2.11	25.8	2.63	30.0	3.21	32.1	3.48	34.2	3.81	34.9	3.88	35.7	3.89	
	20	21.7	2.18	25.8	2.76	30.0	3.40	32.1	3.70	33.6	4.02	34.5	4.06	35.2	4.08	
	21	21.7	2.23	25.8	2.84	30.0	3.52	32.1	3.84	33.4	4.11	34.2	4.16	35.0	4.18	
	23	21.7	2.38	25.8	3.04	30.0	3.78	32.1	4.07	32.9	4.31	33.7	4.35	34.5	4.37	
	25	21.7	2.54	25.8	3.25	30.0	4.04	32.1	4.31	32.5	4.49	33.2	4.54	34.1	4.56	
	27	21.7	2.72	25.8	3.47	30.0	4.33	31.6	4.55	32.0	4.70	32.8	4.73	33.5	4.74	
	29	21.7	2.90	25.8	3.71	30.0	4.61	31.1	4.74	31.6	4.89	32.3	4.92	33.1	4.93	
	31	21.7	3.08	25.8	3.95	30.0	4.93	30.6	4.95	31.0	5.08	31.9	5.10	32.6	5.12	
	33	21.7	3.29	25.8	4.21	29.8	5.21	30.2	5.17	30.6	5.27	31.4	5.29	32.2	5.31	
	35	21.7	3.49	25.8	4.49	29.3	5.39	29.7	5.41	30.1	5.46	30.8	5.48	31.7	5.50	
	37	21.7	3.63	25.8	4.63	28.9	5.49	29.3	5.49	29.6	5.54	30.4	5.57	31.1	5.59	
	39	21.7	3.77	25.8	4.76	28.3	5.57	28.7	5.58	29.2	5.63	29.9	5.66	30.7	5.68	
	100	10	18.9	1.85	22.5	2.25	26.2	2.67	28.0	2.88	29.8	3.09	33.5	3.44	36.8	3.47
		12	18.9	1.91	22.5	2.34	26.2	2.76	28.0	2.96	29.8	3.19	33.5	3.63	36.3	3.67
		14	18.9	1.97	22.5	2.43	26.2	2.87	28.0	3.09	29.8	3.33	33.5	3.83	35.9	3.87
16		18.9	2.03	22.5	2.51	26.2	2.99	28.0	3.23	29.8	3.51	33.5	4.02	35.4	4.07	
18		18.9	2.09	22.5	2.61	26.2	3.11	28.0	3.39	29.8	3.72	33.5	4.25	34.9	4.28	
20		18.9	2.16	22.5	2.70	26.2	3.29	28.0	3.63	29.8	3.98	33.5	4.45	34.4	4.48	
21		18.9	2.21	22.5	2.77	26.2	3.40	28.0	3.76	29.8	4.13	33.5	4.55	34.2	4.59	
23		18.9	2.34	22.5	2.96	26.2	3.65	28.0	4.03	29.8	4.43	33.0	4.76	33.8	4.80	
25		18.9	2.49	22.5	3.15	26.2	3.90	28.0	4.31	29.8	4.73	32.6	4.97	33.2	5.01	
27		18.9	2.66	22.5	3.37	26.2	4.18	28.0	4.61	29.8	5.03	32.1	5.20	32.8	5.24	
29		18.9	2.83	22.5	3.60	26.2	4.46	28.0	4.92	29.8	5.32	31.6	5.41	32.3	5.45	
31		18.9	3.02	22.5	3.84	26.2	4.75	28.0	5.25	29.8	5.59	31.1	5.62	31.8	5.67	
33		18.9	3.20	22.5	4.09	26.2	5.07	28.0	5.61	29.8	5.81	30.6	5.83	31.3	5.88	
35		18.9	3.40	22.5	4.35	26.2	5.40	28.0	5.98	29.3	6.02	30.2	6.04	30.8	6.09	
37		18.9	3.54	22.5	4.53	26.2	5.55	28.0	6.08	28.9	6.11	29.7	6.14	30.4	6.19	
39		18.9	3.67	22.5	4.71	26.2	5.70	28.0	6.18	28.4	6.21	29.2	6.23	29.9	6.29	

Notes:

1. TC: Total Capacity(kW) PI : Power Input(kW)(Comp. + Outdoor fan motor)
2. Capacity tables show the average value of conditions which may occur.

7. Capacity Tables

Cooling Capacity(10HP)

Combination (%)	Outdoor air temp °C DB	Indoor air temp. (DB/WB, °C)													
		20		23		26		27		28		30		32	
		14		16		18		19		20		22		24	
		TC	PI	TC	PI	TC	PI	TC	PI	TC	PI	TC	PI	TC	PI
90	10	17.0	1.66	20.3	2.02	23.6	2.40	25.2	2.59	26.8	2.78	30.1	3.10	33.4	3.12
	12	17.0	1.72	20.3	2.09	23.6	2.47	25.2	2.66	26.8	2.87	30.1	3.21	33.4	3.30
	14	17.0	1.76	20.3	2.13	23.6	2.52	25.2	2.72	26.8	2.93	30.1	3.28	33.4	3.48
	16	17.0	1.80	20.3	2.17	23.6	2.57	25.2	2.77	26.8	2.98	30.1	3.34	33.4	3.67
	18	17.0	1.83	20.3	2.22	23.6	2.62	25.2	2.84	26.8	3.05	30.1	3.41	33.4	3.85
	20	17.0	1.86	20.3	2.26	23.6	2.67	25.2	2.89	26.8	3.16	30.1	3.65	33.4	4.03
	21	17.0	1.88	20.3	2.28	23.6	2.72	25.2	2.98	26.8	3.28	30.1	3.78	33.4	4.13
	23	17.0	1.92	20.3	2.37	23.6	2.91	25.2	3.20	26.8	3.51	30.1	4.05	32.9	4.32
	25	17.0	2.02	20.3	2.53	23.6	3.11	25.2	3.42	26.8	3.75	30.1	4.34	32.5	4.51
	27	17.0	2.15	20.3	2.70	23.6	3.32	25.2	3.65	26.8	4.01	30.1	4.61	32.0	4.72
	29	17.0	2.28	20.3	2.88	23.6	3.55	25.2	3.91	26.8	4.28	30.1	4.87	31.5	4.91
	31	17.0	2.43	20.3	3.07	23.6	3.78	25.2	4.16	26.8	4.57	30.1	5.06	31.0	5.10
	33	17.0	2.58	20.3	3.27	23.6	4.03	25.2	4.43	26.8	4.85	30.1	5.24	30.6	5.29
	35	17.0	2.74	20.3	3.47	23.6	4.28	25.2	4.73	26.8	5.14	29.6	5.43	30.1	5.48
	37	17.0	2.91	20.3	3.69	23.6	4.57	25.2	5.02	26.8	5.42	29.1	5.52	29.6	5.57
	39	17.0	3.08	20.3	3.92	23.6	4.84	25.2	5.29	26.8	5.59	28.6	5.61	29.1	5.66
80	10	15.1	1.62	18.0	1.94	20.9	2.28	22.4	2.46	23.9	2.64	26.8	3.01	29.7	3.12
	12	15.1	1.65	18.0	1.97	20.9	2.33	22.4	2.50	23.9	2.68	26.8	3.07	29.7	3.30
	14	15.1	1.67	18.0	2.01	20.9	2.36	22.4	2.55	23.9	2.73	26.8	3.12	29.7	3.40
	16	15.1	1.70	18.0	2.04	20.9	2.40	22.4	2.59	23.9	2.79	26.8	3.19	29.7	3.46
	18	15.1	1.73	18.0	2.08	20.9	2.45	22.4	2.64	23.9	2.84	26.8	3.25	29.7	3.54
	20	15.1	1.76	18.0	2.12	20.9	2.50	22.4	2.70	23.9	2.90	26.8	3.37	29.7	3.79
	21	15.1	1.77	18.0	2.15	20.9	2.53	22.4	2.73	23.9	2.97	26.8	3.48	29.7	3.93
	23	15.1	1.81	18.0	2.18	20.9	2.64	22.4	2.90	23.9	3.17	26.8	3.67	29.7	4.21
	25	15.1	1.88	18.0	2.33	20.9	2.83	22.4	3.10	23.9	3.39	26.8	3.93	29.7	4.50
	27	15.1	1.99	18.0	2.47	20.9	3.02	22.4	3.31	23.9	3.62	26.8	4.17	29.7	4.72
	29	15.1	2.11	18.0	2.64	20.9	3.21	22.4	3.53	23.9	3.86	26.8	4.47	29.7	4.91
	31	15.1	2.25	18.0	2.80	20.9	3.43	22.4	3.76	23.9	4.11	26.8	4.75	29.7	5.10
	33	15.1	2.38	18.0	2.99	20.9	3.65	22.4	4.01	23.9	4.38	26.8	5.00	29.7	5.29
	35	15.1	2.53	18.0	3.17	20.9	3.89	22.4	4.27	23.9	4.67	26.8	5.30	29.4	5.48
	37	15.1	2.67	18.0	3.37	20.9	4.12	22.4	4.54	23.9	4.96	26.8	5.52	28.9	5.57
	39	15.1	2.83	18.0	3.56	20.9	4.37	22.4	4.78	23.9	5.28	26.8	5.61	28.4	5.66
70	10	13.2	1.45	15.8	1.72	18.3	2.00	19.6	2.16	20.9	2.30	23.4	2.62	26.0	2.94
	12	13.2	1.47	15.8	1.75	18.3	2.04	19.6	2.19	20.9	2.35	23.4	2.67	26.0	2.99
	14	13.2	1.49	15.8	1.77	18.3	2.08	19.6	2.23	20.9	2.38	23.4	2.73	26.0	3.05
	16	13.2	1.52	15.8	1.80	18.3	2.11	19.6	2.27	20.9	2.43	23.4	2.77	26.0	3.11
	18	13.2	1.54	15.8	1.84	18.3	2.16	19.6	2.32	20.9	2.48	23.4	2.82	26.0	3.17
	20	13.2	1.56	15.8	1.87	18.3	2.19	19.6	2.36	20.9	2.53	23.4	2.89	26.0	3.29
	21	13.2	1.59	15.8	1.88	18.3	2.21	19.6	2.38	20.9	2.56	23.4	2.93	26.0	3.39
	23	13.2	1.61	15.8	1.93	18.3	2.26	19.6	2.46	20.9	2.68	23.4	3.14	26.0	3.58
	25	13.2	1.63	15.8	2.00	18.3	2.41	19.6	2.64	20.9	2.86	23.4	3.35	26.0	3.83
	27	13.2	1.72	15.8	2.13	18.3	2.57	19.6	2.80	20.9	3.06	23.4	3.58	26.0	4.07
	29	13.2	1.84	15.8	2.26	18.3	2.73	19.6	2.98	20.9	3.25	23.4	3.82	26.0	4.36
	31	13.2	1.95	15.8	2.41	18.3	2.91	19.6	3.18	20.9	3.47	23.4	4.07	26.0	4.63
	33	13.2	2.07	15.8	2.54	18.3	3.09	19.6	3.38	20.9	3.69	23.4	4.34	26.0	4.88
	35	13.2	2.18	15.8	2.72	18.3	3.29	19.6	3.59	20.9	3.93	23.4	4.62	26.0	5.17
	37	13.2	2.32	15.8	2.88	18.3	3.49	19.6	3.82	20.9	4.18	23.4	4.92	26.0	5.46
	39	13.2	2.44	15.8	3.04	18.3	3.70	19.6	4.03	20.9	4.42	23.4	5.21	26.0	5.66
60	10	11.3	1.27	13.5	1.49	15.7	1.74	16.8	1.87	17.9	1.98	20.1	2.25	22.3	2.51
	12	11.3	1.30	13.5	1.52	15.7	1.76	16.8	1.89	17.9	2.02	20.1	2.28	22.3	2.56
	14	11.3	1.31	13.5	1.54	15.7	1.80	16.8	1.92	17.9	2.05	20.1	2.33	22.3	2.61
	16	11.3	1.33	13.5	1.58	15.7	1.82	16.8	1.96	17.9	2.10	20.1	2.38	22.3	2.65
	18	11.3	1.36	13.5	1.60	15.7	1.85	16.8	1.99	17.9	2.13	20.1	2.41	22.3	2.71
	20	11.3	1.38	13.5	1.62	15.7	1.89	16.8	2.03	17.9	2.17	20.1	2.46	22.3	2.77
	21	11.3	1.39	13.5	1.63	15.7	1.91	16.8	2.05	17.9	2.19	20.1	2.49	22.3	2.79
	23	11.3	1.41	13.5	1.67	15.7	1.94	16.8	2.09	17.9	2.24	20.1	2.58	22.3	2.97
	25	11.3	1.44	13.5	1.70	15.7	2.02	16.8	2.19	17.9	2.38	20.1	2.76	22.3	3.18
	27	11.3	1.48	13.5	1.80	15.7	2.14	16.8	2.33	17.9	2.53	20.1	2.93	22.3	3.38
	29	11.3	1.58	13.5	1.91	15.7	2.28	16.8	2.48	17.9	2.69	20.1	3.13	22.3	3.62
	31	11.3	1.67	13.5	2.03	15.7	2.42	16.8	2.64	17.9	2.86	20.1	3.34	22.3	3.85
	33	11.3	1.76	13.5	2.14	15.7	2.57	16.8	2.80	17.9	3.05	20.1	3.55	22.3	4.10
	35	11.3	1.87	13.5	2.28	15.7	2.73	16.8	2.98	17.9	3.23	20.1	3.78	22.3	4.36
	37	11.3	1.97	13.5	2.41	15.7	2.90	16.8	3.16	17.9	3.43	20.1	4.01	22.3	4.64
	39	11.3	2.07	13.5	2.54	15.7	3.07	16.8	3.36	17.9	3.62	20.1	4.26	22.3	4.92

Notes:

1. TC: Total Capacity(kW) PI : Power Input(kW)(Comp. + Outdoor fan motor)
2. Capacity tables show the average value of conditions which may occur.

7. Capacity Tables

Cooling Capacity(10HP)

Combination (%)	Outdoor air temp °C DB	Indoor air temp. (DB/WB, °C)													
		20		23		26		27		28		30		32	
		14		16		18		19		20		22		24	
		TC	PI	TC	PI	TC	PI	TC	PI	TC	PI	TC	PI	TC	PI
50	10	9.5	1.12	11.3	1.29	13.1	1.47	14.0	1.58	14.9	1.67	16.7	1.88	18.6	2.09
	12	9.5	1.13	11.3	1.31	13.1	1.49	14.0	1.60	14.9	1.71	16.7	1.92	18.6	2.13
	14	9.5	1.14	11.3	1.33	13.1	1.52	14.0	1.62	14.9	1.73	16.7	1.94	18.6	2.16
	16	9.5	1.16	11.3	1.35	13.1	1.54	14.0	1.66	14.9	1.75	16.7	1.98	18.6	2.20
	18	9.5	1.18	11.3	1.36	13.1	1.56	14.0	1.68	14.9	1.79	16.7	2.01	18.6	2.25
	20	9.5	1.19	11.3	1.39	13.1	1.60	14.0	1.71	14.9	1.82	16.7	2.05	18.6	2.29
	21	9.5	1.20	11.3	1.40	13.1	1.61	14.0	1.73	14.9	1.84	16.7	2.07	18.6	2.32
	23	9.5	1.22	11.3	1.42	13.1	1.64	14.0	1.75	14.9	1.87	16.7	2.11	18.6	2.37
	25	9.5	1.24	11.3	1.45	13.1	1.67	14.0	1.79	14.9	1.93	16.7	2.21	18.6	2.53
	27	9.5	1.26	11.3	1.49	13.1	1.76	14.0	1.91	14.9	2.05	16.7	2.37	18.6	2.69
	29	9.5	1.33	11.3	1.59	13.1	1.87	14.0	2.02	14.9	2.18	16.7	2.51	18.6	2.86
	31	9.5	1.40	11.3	1.68	13.1	1.99	14.0	2.14	14.9	2.32	16.7	2.67	18.6	3.05
	33	9.5	1.48	11.3	1.78	13.1	2.11	14.0	2.27	14.9	2.46	16.7	2.84	18.6	3.25
	35	9.5	1.56	11.3	1.88	13.1	2.22	14.0	2.41	14.9	2.60	16.7	3.00	18.6	3.45
	37	9.5	1.66	11.3	1.99	13.1	2.35	14.0	2.55	14.9	2.75	16.7	3.20	18.6	3.66
39	9.5	1.73	11.3	2.09	13.1	2.50	14.0	2.69	14.9	2.90	16.7	3.38	18.6	3.87	

Notes:

1. TC: Total Capacity(kW) PI : Power Input(kW)(Comp. + Outdoor fan motor)
2. Capacity tables show the average value of conditions which may occur.

7. Capacity Tables

ARUB120LTE4

Cooling Capacity(12HP)

Combination (%)	Outdoor air temp °C DB	Indoor air temp. (DB/WB, °C)													
		20		23		26		27		28		30		32	
		14		16		18		19		20		22		24	
		TC	PI	TC	PI	TC	PI	TC	PI	TC	PI	TC	PI	TC	PI
130	10	30.7	2.91	36.6	3.55	42.5	4.12	44.1	4.20	44.6	4.25	45.7	4.27	46.8	4.30
	12	30.7	2.98	36.6	3.68	42.5	4.29	43.5	4.32	44.2	4.40	45.1	4.44	46.2	4.47
	14	30.7	3.08	36.6	3.81	42.3	4.45	43.0	4.48	43.5	4.56	44.6	4.60	45.7	4.64
	16	30.7	3.19	36.6	3.94	41.8	4.65	42.3	4.69	42.8	4.73	44.0	4.77	45.1	4.81
	18	30.7	3.32	36.6	4.17	41.2	4.90	41.7	4.94	42.3	4.97	43.5	4.99	44.6	5.02
	20	30.7	3.47	36.6	4.45	40.6	5.13	41.3	5.18	41.7	5.21	42.8	5.24	44.0	5.27
	21	30.7	3.56	36.6	4.60	40.3	5.25	41.0	5.30	41.5	5.33	42.6	5.36	43.7	5.39
	23	30.7	3.82	36.6	4.94	39.8	5.48	40.3	5.53	40.9	5.57	42.0	5.60	43.1	5.64
	25	30.7	4.08	36.6	5.28	39.2	5.72	39.9	5.78	40.3	5.82	41.5	5.85	42.6	5.88
	27	30.7	4.37	36.6	5.64	38.7	5.97	39.2	6.01	39.9	6.06	40.9	6.09	42.0	6.13
	29	30.7	4.65	36.6	6.03	38.1	6.22	38.6	6.26	39.2	6.30	40.3	6.33	41.5	6.37
	31	30.7	4.97	36.5	6.35	37.5	6.46	38.1	6.51	38.6	6.54	39.7	6.58	40.8	6.62
	33	30.7	5.29	35.8	6.60	37.0	6.71	37.6	6.75	38.1	6.79	39.2	6.82	40.2	6.86
	35	30.7	5.64	35.2	6.84	36.3	6.96	37.0	7.00	37.6	7.03	38.6	7.06	39.7	7.11
	37	30.7	5.84	34.7	6.97	35.8	7.09	36.3	7.15	37.0	7.18	38.0	7.20	39.1	7.25
	39	30.7	6.04	34.1	7.10	35.2	7.23	35.8	7.29	36.3	7.31	37.5	7.34	38.6	7.39
120	10	28.4	2.61	33.8	3.21	39.3	3.81	42.0	4.12	44.0	4.18	45.0	4.20	46.1	4.21
	12	28.4	2.68	33.8	3.31	39.3	3.96	42.0	4.20	43.4	4.34	44.4	4.39	45.4	4.41
	14	28.4	2.78	33.8	3.43	39.3	4.12	42.0	4.36	42.8	4.50	43.9	4.56	44.9	4.60
	16	28.4	2.88	33.8	3.57	39.3	4.28	41.8	4.59	42.3	4.70	43.3	4.72	44.3	4.78
	18	28.4	2.99	33.8	3.73	39.3	4.54	41.2	4.85	41.7	4.94	42.7	4.96	43.8	4.98
	20	28.4	3.10	33.8	3.95	39.3	4.84	40.7	5.13	41.2	5.19	42.2	5.21	43.2	5.23
	21	28.4	3.20	33.8	4.09	39.3	5.01	40.3	5.25	40.8	5.31	41.9	5.33	42.9	5.35
	23	28.4	3.42	33.8	4.38	39.3	5.34	39.8	5.49	40.3	5.55	41.3	5.57	42.3	5.59
	25	28.4	3.65	33.8	4.69	38.7	5.63	39.2	5.73	39.7	5.79	40.8	5.81	41.8	5.83
	27	28.4	3.90	33.8	5.02	38.2	5.92	38.7	5.97	39.2	6.03	40.2	6.05	41.2	6.08
	29	28.4	4.16	33.8	5.36	37.5	6.17	38.0	6.21	38.5	6.27	39.5	6.30	40.7	6.32
	31	28.4	4.43	33.8	5.72	36.9	6.42	37.5	6.45	38.0	6.51	39.0	6.54	40.0	6.56
	33	28.4	4.72	33.8	6.10	36.4	6.66	36.9	6.69	37.4	6.75	38.4	6.78	39.4	6.81
	35	28.4	5.02	33.8	6.50	35.8	6.91	36.3	6.94	36.9	6.99	37.9	7.02	38.9	7.05
	37	28.4	5.24	33.8	6.66	35.3	7.03	35.8	7.08	36.3	7.10	37.3	7.15	38.3	7.17
	39	28.4	5.46	33.7	6.82	34.7	7.15	35.2	7.20	35.7	7.23	36.8	7.27	37.8	7.29
110	10	26.0	2.35	31.0	2.87	36.0	3.40	38.5	3.68	41.0	3.97	44.1	4.13	45.1	4.14
	12	26.0	2.42	31.0	2.96	36.0	3.55	38.5	3.79	41.0	4.11	43.6	4.29	44.5	4.35
	14	26.0	2.50	31.0	3.10	36.0	3.71	38.5	3.98	41.0	4.32	43.0	4.44	44.0	4.54
	16	26.0	2.59	31.0	3.21	36.0	3.86	38.5	4.15	41.0	4.58	42.5	4.69	43.4	4.73
	18	26.0	2.69	31.0	3.34	36.0	4.08	38.5	4.42	41.0	4.85	41.9	4.93	42.9	4.95
	20	26.0	2.78	31.0	3.51	36.0	4.33	38.5	4.71	40.4	5.12	41.4	5.18	42.2	5.20
	21	26.0	2.84	31.0	3.61	36.0	4.48	38.5	4.88	40.1	5.24	41.0	5.30	42.0	5.32
	23	26.0	3.03	31.0	3.87	36.0	4.81	38.5	5.18	39.5	5.49	40.5	5.54	41.4	5.56
	25	26.0	3.24	31.0	4.13	36.0	5.15	38.5	5.49	39.0	5.72	39.9	5.78	40.9	5.80
	27	26.0	3.46	31.0	4.42	36.0	5.51	37.9	5.79	38.4	5.99	39.4	6.02	40.2	6.04
	29	26.0	3.69	31.0	4.72	36.0	5.88	37.4	6.04	37.9	6.23	38.7	6.26	39.7	6.28
	31	26.0	3.93	31.0	5.03	36.0	6.28	36.7	6.30	37.2	6.47	38.2	6.50	39.1	6.52
	33	26.0	4.19	31.0	5.36	35.7	6.63	36.2	6.59	36.7	6.71	37.6	6.74	38.6	6.77
	35	26.0	4.45	31.0	5.72	35.1	6.86	35.6	6.89	36.1	6.95	37.0	6.98	38.0	7.01
	37	26.0	4.62	31.0	5.89	34.6	6.98	35.1	6.99	35.5	7.05	36.5	7.10	37.4	7.12
	39	26.0	4.80	31.0	6.07	34.0	7.10	34.5	7.11	35.0	7.16	35.9	7.21	36.9	7.23
100	10	22.7	2.34	27.0	2.85	31.4	3.38	33.6	3.65	35.8	3.92	40.2	4.37	44.2	4.40
	12	22.7	2.42	27.0	2.96	31.4	3.49	33.6	3.75	35.8	4.05	40.2	4.60	43.6	4.65
	14	22.7	2.49	27.0	3.08	31.4	3.64	33.6	3.91	35.8	4.22	40.2	4.86	43.1	4.90
	16	22.7	2.57	27.0	3.18	31.4	3.80	33.6	4.10	35.8	4.45	40.2	5.09	42.5	5.16
	18	22.7	2.65	27.0	3.30	31.4	3.94	33.6	4.30	35.8	4.72	40.2	5.38	41.9	5.42
	20	22.7	2.74	27.0	3.43	31.4	4.17	33.6	4.60	35.8	5.05	40.2	5.64	41.3	5.68
	21	22.7	2.80	27.0	3.51	31.4	4.31	33.6	4.76	35.8	5.24	40.2	5.77	41.0	5.81
	23	22.7	2.96	27.0	3.75	31.4	4.63	33.6	5.11	35.8	5.61	39.6	6.04	40.5	6.09
	25	22.7	3.15	27.0	4.00	31.4	4.95	33.6	5.47	35.8	6.00	39.1	6.30	39.8	6.35
	27	22.7	3.37	27.0	4.27	31.4	5.29	33.6	5.84	35.8	6.38	38.5	6.59	39.4	6.65
	29	22.7	3.58	27.0	4.56	31.4	5.65	33.6	6.24	35.8	6.75	37.9	6.86	38.8	6.91
	31	22.7	3.83	27.0	4.86	31.4	6.03	33.6	6.66	35.8	7.09	37.3	7.12	38.2	7.18
	33	22.7	4.06	27.0	5.18	31.4	6.43	33.6	7.11	35.8	7.36	36.8	7.39	37.6	7.45
	35	22.7	4.31	27.0	5.51	31.4	6.85	33.6	7.58	35.2	7.63	36.2	7.66	37.0	7.72
	37	22.7	4.49	27.0	5.74	31.4	7.04	33.6	7.71	34.6	7.75	35.6	7.78	36.5	7.85
	39	22.7	4.66	27.0	5.97	31.4	7.23	33.6	7.84	34.1	7.87	35.1	7.90	35.9	7.97

Notes:
 1. TC: Total Capacity(kW) PI : Power Input(kW)(Comp. + Outdoor fan motor)
 2. Capacity tables show the average value of conditions which may occur.

7. Capacity Tables

Cooling Capacity(12HP)

Combination (%)	Outdoor air temp °C DB	Indoor air temp. (DB/WB, °C)													
		20		23		26		27		28		30		32	
		14		16		18		19		20		22		24	
		TC	PI	TC	PI	TC	PI	TC	PI	TC	PI	TC	PI	TC	PI
90	10	20.4	2.12	24.4	2.57	28.3	3.03	30.2	3.27	32.2	3.52	36.1	3.93	40.1	3.98
	12	20.4	2.16	24.4	2.61	28.3	3.08	30.2	3.33	32.2	3.59	36.1	4.01	40.1	4.20
	14	20.4	2.20	24.4	2.66	28.3	3.15	30.2	3.40	32.2	3.66	36.1	4.09	40.1	4.43
	16	20.4	2.24	24.4	2.72	28.3	3.21	30.2	3.46	32.2	3.73	36.1	4.17	40.1	4.62
	18	20.4	2.28	24.4	2.77	28.3	3.27	30.2	3.54	32.2	3.80	36.1	4.26	40.1	4.85
	20	20.4	2.32	24.4	2.82	28.3	3.33	30.2	3.61	32.2	3.95	36.1	4.56	40.1	5.09
	21	20.4	2.35	24.4	2.85	28.3	3.40	30.2	3.73	32.2	4.09	36.1	4.73	40.1	5.20
	23	20.4	2.40	24.4	2.96	28.3	3.63	30.2	4.00	32.2	4.38	36.1	5.06	39.5	5.45
	25	20.4	2.52	24.4	3.16	28.3	3.88	30.2	4.28	32.2	4.68	36.1	5.41	39.0	5.68
	27	20.4	2.69	24.4	3.37	28.3	4.14	30.2	4.56	32.2	5.01	36.1	5.76	38.4	5.95
	29	20.4	2.85	24.4	3.59	28.3	4.43	30.2	4.88	32.2	5.35	36.1	6.16	37.8	6.19
	31	20.4	3.03	24.4	3.83	28.3	4.72	30.2	5.19	32.2	5.71	36.1	6.40	37.2	6.43
	33	20.4	3.23	24.4	4.08	28.3	5.04	30.2	5.54	32.2	6.05	36.1	6.64	36.7	6.66
	35	20.4	3.42	24.4	4.33	28.3	5.35	30.2	5.90	32.2	6.42	35.5	6.88	36.1	6.90
37	20.4	3.63	24.4	4.60	28.3	5.71	30.2	6.27	32.2	6.77	34.9	7.03	35.5	7.09	
39	20.4	3.85	24.4	4.90	28.3	6.04	30.2	6.61	32.2	7.11	34.4	7.14	35.0	7.21	
80	10	18.1	2.04	21.6	2.46	25.1	2.88	26.9	3.11	28.7	3.34	32.2	3.80	35.6	3.98
	12	18.1	2.09	21.6	2.48	25.1	2.94	26.9	3.17	28.7	3.39	32.2	3.87	35.6	4.20
	14	18.1	2.11	21.6	2.54	25.1	2.98	26.9	3.22	28.7	3.45	32.2	3.95	35.6	4.29
	16	18.1	2.14	21.6	2.58	25.1	3.04	26.9	3.28	28.7	3.52	32.2	4.03	35.6	4.38
	18	18.1	2.19	21.6	2.63	25.1	3.09	26.9	3.34	28.7	3.59	32.2	4.10	35.6	4.47
	20	18.1	2.23	21.6	2.68	25.1	3.17	26.9	3.41	28.7	3.66	32.2	4.26	35.6	4.78
	21	18.1	2.24	21.6	2.71	25.1	3.19	26.9	3.45	28.7	3.75	32.2	4.39	35.6	4.96
	23	18.1	2.29	21.6	2.75	25.1	3.34	26.9	3.66	28.7	4.00	32.2	4.64	35.6	5.32
	25	18.1	2.37	21.6	2.94	25.1	3.58	26.9	3.92	28.7	4.29	32.2	4.96	35.6	5.68
	27	18.1	2.51	21.6	3.12	25.1	3.82	26.9	4.19	28.7	4.57	32.2	5.27	35.6	5.95
	29	18.1	2.67	21.6	3.34	25.1	4.06	26.9	4.46	28.7	4.88	32.2	5.65	35.6	6.19
	31	18.1	2.84	21.6	3.53	25.1	4.33	26.9	4.75	28.7	5.19	32.2	6.00	35.6	6.43
	33	18.1	3.01	21.6	3.78	25.1	4.61	26.9	5.07	28.7	5.54	32.2	6.32	35.6	6.66
	35	18.1	3.19	21.6	4.00	25.1	4.91	26.9	5.39	28.7	5.90	32.2	6.70	35.3	6.90
37	18.1	3.38	21.6	4.26	25.1	5.21	26.9	5.73	28.7	6.27	32.2	7.03	34.7	7.09	
39	18.1	3.57	21.6	4.50	25.1	5.52	26.9	6.04	28.7	6.67	32.2	7.14	34.1	7.21	
70	10	15.8	1.85	19.0	2.20	22.0	2.55	23.5	2.76	25.1	2.94	28.1	3.35	31.2	3.75
	12	15.8	1.88	19.0	2.23	22.0	2.61	23.5	2.80	25.1	3.00	28.1	3.41	31.2	3.82
	14	15.8	1.91	19.0	2.26	22.0	2.65	23.5	2.84	25.1	3.05	28.1	3.48	31.2	3.89
	16	15.8	1.94	19.0	2.30	22.0	2.70	23.5	2.90	25.1	3.11	28.1	3.54	31.2	3.97
	18	15.8	1.97	19.0	2.35	22.0	2.76	23.5	2.96	25.1	3.16	28.1	3.60	31.2	4.04
	20	15.8	2.00	19.0	2.39	22.0	2.80	23.5	3.02	25.1	3.24	28.1	3.69	31.2	4.20
	21	15.8	2.03	19.0	2.41	22.0	2.83	23.5	3.05	25.1	3.27	28.1	3.75	31.2	4.33
	23	15.8	2.06	19.0	2.46	22.0	2.89	23.5	3.15	25.1	3.43	28.1	4.01	31.2	4.57
	25	15.8	2.08	19.0	2.55	22.0	3.08	23.5	3.37	25.1	3.66	28.1	4.29	31.2	4.89
	27	15.8	2.20	19.0	2.73	22.0	3.28	23.5	3.57	25.1	3.91	28.1	4.58	31.2	5.20
	29	15.8	2.35	19.0	2.89	22.0	3.48	23.5	3.81	25.1	4.15	28.1	4.88	31.2	5.57
	31	15.8	2.49	19.0	3.08	22.0	3.72	23.5	4.07	25.1	4.43	28.1	5.20	31.2	5.91
	33	15.8	2.64	19.0	3.25	22.0	3.95	23.5	4.32	25.1	4.71	28.1	5.54	31.2	6.23
	35	15.8	2.78	19.0	3.47	22.0	4.20	23.5	4.59	25.1	5.02	28.1	5.90	31.2	6.61
37	15.8	2.96	19.0	3.68	22.0	4.46	23.5	4.88	25.1	5.34	28.1	6.28	31.2	6.97	
39	15.8	3.11	19.0	3.88	22.0	4.72	23.5	5.15	25.1	5.65	28.1	6.66	31.2	7.21	
60	10	13.6	1.65	16.2	1.93	18.8	2.24	20.2	2.41	21.5	2.56	24.1	2.90	26.8	3.25
	12	13.6	1.68	16.2	1.96	18.8	2.27	20.2	2.44	21.5	2.60	24.1	2.95	26.8	3.31
	14	13.6	1.69	16.2	1.99	18.8	2.32	20.2	2.48	21.5	2.65	24.1	3.01	26.8	3.37
	16	13.6	1.72	16.2	2.04	18.8	2.35	20.2	2.53	21.5	2.71	24.1	3.07	26.8	3.43
	18	13.6	1.75	16.2	2.07	18.8	2.39	20.2	2.57	21.5	2.75	24.1	3.11	26.8	3.50
	20	13.6	1.78	16.2	2.10	18.8	2.44	20.2	2.62	21.5	2.80	24.1	3.17	26.8	3.58
	21	13.6	1.80	16.2	2.11	18.8	2.47	20.2	2.65	21.5	2.83	24.1	3.22	26.8	3.61
	23	13.6	1.83	16.2	2.15	18.8	2.50	20.2	2.69	21.5	2.89	24.1	3.34	26.8	3.83
	25	13.6	1.86	16.2	2.20	18.8	2.60	20.2	2.83	21.5	3.07	24.1	3.56	26.8	4.10
	27	13.6	1.92	16.2	2.32	18.8	2.77	20.2	3.01	21.5	3.26	24.1	3.79	26.8	4.37
	29	13.6	2.04	16.2	2.47	18.8	2.95	20.2	3.20	21.5	3.47	24.1	4.04	26.8	4.67
	31	13.6	2.15	16.2	2.62	18.8	3.13	20.2	3.41	21.5	3.70	24.1	4.31	26.8	4.97
	33	13.6	2.27	16.2	2.77	18.8	3.32	20.2	3.62	21.5	3.94	24.1	4.58	26.8	5.30
	35	13.6	2.41	16.2	2.95	18.8	3.53	20.2	3.85	21.5	4.18	24.1	4.88	26.8	5.63
37	13.6	2.54	16.2	3.11	18.8	3.74	20.2	4.09	21.5	4.43	24.1	5.18	26.8	5.99	
39	13.6	2.68	16.2	3.28	18.8	3.96	20.2	4.34	21.5	4.67	24.1	5.50	26.8	6.35	

Notes:

1. TC: Total Capacity(kW) PI : Power Input(kW)(Comp. + Outdoor fan motor)
2. Capacity tables show the average value of conditions which may occur.

7. Capacity Tables

Cooling Capacity(12HP)

Combination (%)	Outdoor air temp °C DB	Indoor air temp. (DB/WB, °C)													
		20		23		26		27		28		30		32	
		14		16		18		19		20		22		24	
		TC	PI	TC	PI	TC	PI	TC	PI	TC	PI	TC	PI	TC	PI
50	10	11.3	1.46	13.6	1.69	15.7	1.92	16.8	2.06	17.9	2.18	20.0	2.46	22.3	2.73
	12	11.3	1.47	13.6	1.70	15.7	1.95	16.8	2.09	17.9	2.23	20.0	2.50	22.3	2.78
	14	11.3	1.49	13.6	1.73	15.7	1.98	16.8	2.12	17.9	2.26	20.0	2.53	22.3	2.82
	16	11.3	1.52	13.6	1.77	15.7	2.01	16.8	2.16	17.9	2.29	20.0	2.58	22.3	2.87
	18	11.3	1.54	13.6	1.78	15.7	2.04	16.8	2.20	17.9	2.33	20.0	2.63	22.3	2.93
	20	11.3	1.55	13.6	1.81	15.7	2.09	16.8	2.23	17.9	2.38	20.0	2.67	22.3	2.99
	21	11.3	1.57	13.6	1.83	15.7	2.10	16.8	2.26	17.9	2.39	20.0	2.70	22.3	3.02
	23	11.3	1.60	13.6	1.86	15.7	2.13	16.8	2.29	17.9	2.44	20.0	2.75	22.3	3.09
	25	11.3	1.61	13.6	1.89	15.7	2.18	16.8	2.33	17.9	2.52	20.0	2.89	22.3	3.30
	27	11.3	1.64	13.6	1.95	15.7	2.30	16.8	2.49	17.9	2.67	20.0	3.09	22.3	3.52
	29	11.3	1.73	13.6	2.07	15.7	2.44	16.8	2.64	17.9	2.84	20.0	3.27	22.3	3.73
	31	11.3	1.83	13.6	2.20	15.7	2.59	16.8	2.79	17.9	3.02	20.0	3.48	22.3	3.98
	33	11.3	1.93	13.6	2.32	15.7	2.75	16.8	2.96	17.9	3.21	20.0	3.70	22.3	4.24
	35	11.3	2.04	13.6	2.46	15.7	2.90	16.8	3.15	17.9	3.39	20.0	3.91	22.3	4.50
	37	11.3	2.16	13.6	2.59	15.7	3.07	16.8	3.33	17.9	3.59	20.0	4.18	22.3	4.77
39	11.3	2.26	13.6	2.73	15.7	3.26	16.8	3.52	17.9	3.78	20.0	4.40	22.3	5.06	

Notes:

1. TC: Total Capacity(kW) PI : Power Input(kW)(Comp. + Outdoor fan motor)
2. Capacity tables show the average value of conditions which may occur.

7. Capacity Tables

ARUB140LTE4

Cooling Capacity(14HP)

Combination (%)	Outdoor air temp °C DB	Indoor air temp. (DB/WB, °C)														
		20		23		26		27		28		30		32		
		14		16		18		19		20		22		24		
		TC	PI	TC	PI	TC	PI	TC	PI	TC	PI	TC	PI	TC	PI	
130	10	35.8	3.60	42.7	4.40	49.5	5.10	51.4	5.20	52.0	5.26	53.3	5.29	54.6	5.32	
	12	35.8	3.69	42.7	4.55	49.5	5.31	50.7	5.34	51.6	5.45	52.6	5.50	53.9	5.53	
	14	35.8	3.81	42.7	4.72	49.4	5.51	50.1	5.55	50.7	5.64	52.0	5.70	53.3	5.74	
	16	35.8	3.95	42.7	4.88	48.8	5.76	49.4	5.81	50.0	5.85	51.3	5.91	52.6	5.96	
	18	35.8	4.11	42.7	5.17	48.1	6.07	48.7	6.12	49.4	6.15	50.7	6.18	52.0	6.22	
	20	35.8	4.30	42.7	5.50	47.3	6.36	48.2	6.41	48.7	6.45	50.0	6.48	51.3	6.52	
	21	35.8	4.41	42.7	5.70	47.1	6.50	47.8	6.57	48.4	6.60	49.7	6.63	51.0	6.67	
	23	35.8	4.73	42.7	6.11	46.5	6.78	47.1	6.85	47.8	6.90	48.9	6.94	50.3	6.98	
	25	35.8	5.05	42.7	6.53	45.7	7.08	46.5	7.15	47.1	7.20	48.4	7.24	49.7	7.28	
	27	35.8	5.41	42.7	6.98	45.2	7.39	45.7	7.44	46.5	7.50	47.8	7.54	48.9	7.58	
	29	35.8	5.76	42.7	7.47	44.4	7.69	45.1	7.75	45.7	7.80	47.1	7.84	48.4	7.89	
	31	35.8	6.15	42.5	7.86	43.7	8.00	44.4	8.05	45.1	8.10	46.3	8.14	47.6	8.19	
	33	35.8	6.55	41.8	8.16	43.1	8.31	43.8	8.36	44.4	8.40	45.7	8.44	46.9	8.49	
	35	35.8	6.98	41.1	8.46	42.4	8.61	43.1	8.67	43.8	8.70	45.0	8.74	46.3	8.80	
	37	35.8	7.23	40.5	8.62	41.8	8.78	42.4	8.85	43.1	8.88	44.3	8.91	45.6	8.98	
	39	35.8	7.48	39.8	8.80	41.1	8.96	41.8	9.02	42.4	9.05	43.7	9.08	45.0	9.15	
	120	10	33.1	3.24	39.4	3.97	45.8	4.72	49.1	5.10	51.4	5.18	52.6	5.20	53.7	5.22
		12	33.1	3.32	39.4	4.10	45.8	4.90	49.1	5.20	50.7	5.37	51.8	5.43	53.0	5.46
		14	33.1	3.44	39.4	4.24	45.8	5.10	49.1	5.40	49.9	5.56	51.2	5.65	52.4	5.70
16		33.1	3.56	39.4	4.41	45.8	5.30	48.8	5.69	49.4	5.82	50.5	5.85	51.7	5.91	
18		33.1	3.70	39.4	4.61	45.8	5.62	48.0	6.01	48.6	6.12	49.8	6.15	51.1	6.17	
20		33.1	3.84	39.4	4.89	45.8	5.99	47.4	6.36	48.0	6.42	49.2	6.45	50.4	6.47	
21		33.1	3.96	39.4	5.07	45.8	6.20	47.0	6.50	47.6	6.57	48.9	6.59	50.1	6.62	
23		33.1	4.23	39.4	5.42	45.8	6.61	46.4	6.79	47.0	6.87	48.2	6.89	49.4	6.92	
25		33.1	4.52	39.4	5.81	45.1	6.97	45.7	7.10	46.3	7.17	47.6	7.19	48.8	7.22	
27		33.1	4.83	39.4	6.21	44.5	7.33	45.1	7.39	45.7	7.46	46.9	7.49	48.0	7.52	
29		33.1	5.15	39.4	6.63	43.8	7.63	44.4	7.69	45.0	7.76	46.1	7.79	47.4	7.82	
31		33.1	5.49	39.4	7.08	43.1	7.95	43.8	7.98	44.4	8.06	45.6	8.09	46.7	8.13	
33		33.1	5.84	39.4	7.55	42.5	8.24	43.1	8.29	43.6	8.36	44.8	8.39	46.0	8.43	
35		33.1	6.21	39.4	8.05	41.8	8.56	42.3	8.59	43.1	8.66	44.2	8.69	45.4	8.73	
37		33.1	6.49	39.4	8.24	41.2	8.70	41.8	8.76	42.3	8.79	43.5	8.85	44.7	8.87	
39		33.1	6.76	39.3	8.44	40.4	8.86	41.0	8.92	41.6	8.95	42.9	9.00	44.1	9.03	
110		10	30.3	2.91	36.2	3.55	42.0	4.21	44.9	4.56	47.8	4.91	51.5	5.11	52.6	5.13
		12	30.3	3.00	36.2	3.67	42.0	4.39	44.9	4.69	47.8	5.09	50.9	5.31	51.9	5.38
		14	30.3	3.10	36.2	3.83	42.0	4.59	44.9	4.92	47.8	5.35	50.2	5.50	51.3	5.62
	16	30.3	3.21	36.2	3.97	42.0	4.78	44.9	5.14	47.8	5.68	49.6	5.81	50.6	5.85	
	18	30.3	3.32	36.2	4.14	42.0	5.05	44.9	5.48	47.8	6.01	48.8	6.11	50.0	6.13	
	20	30.3	3.44	36.2	4.34	42.0	5.36	44.9	5.84	47.1	6.34	48.3	6.41	49.3	6.43	
	21	30.3	3.52	36.2	4.47	42.0	5.55	44.9	6.05	46.8	6.48	47.8	6.56	49.0	6.58	
	23	30.3	3.75	36.2	4.80	42.0	5.95	44.9	6.41	46.1	6.79	47.2	6.85	48.3	6.88	
	25	30.3	4.01	36.2	5.12	42.0	6.37	44.9	6.79	45.5	7.08	46.5	7.15	47.7	7.18	
	27	30.3	4.28	36.2	5.47	42.0	6.82	44.2	7.17	44.8	7.41	45.9	7.45	47.0	7.48	
	29	30.3	4.57	36.2	5.84	42.0	7.27	43.6	7.47	44.2	7.71	45.2	7.75	46.4	7.78	
	31	30.3	4.86	36.2	6.23	42.0	7.77	42.9	7.80	43.5	8.01	44.6	8.04	45.6	8.08	
	33	30.3	5.18	36.2	6.63	41.7	8.21	42.3	8.15	42.9	8.31	43.9	8.34	45.0	8.38	
	35	30.3	5.50	36.2	7.08	41.0	8.50	41.5	8.53	42.1	8.61	43.2	8.64	44.3	8.68	
	37	30.3	5.72	36.2	7.30	40.4	8.65	41.0	8.66	41.4	8.73	42.6	8.79	43.6	8.81	
	39	30.3	5.94	36.2	7.51	39.7	8.78	40.2	8.80	40.8	8.87	41.8	8.92	43.0	8.95	
	100	10	26.5	2.71	31.5	3.29	36.7	3.91	39.2	4.22	41.7	4.54	46.9	5.05	51.5	5.09
		12	26.5	2.80	31.5	3.43	36.7	4.04	39.2	4.34	41.7	4.68	46.9	5.32	50.8	5.38
		14	26.5	2.89	31.5	3.57	36.7	4.21	39.2	4.53	41.7	4.88	46.9	5.62	50.3	5.67
16		26.5	2.97	31.5	3.68	36.7	4.39	39.2	4.74	41.7	5.15	46.9	5.89	49.6	5.98	
18		26.5	3.06	31.5	3.82	36.7	4.56	39.2	4.97	41.7	5.46	46.9	6.23	48.9	6.28	
20		26.5	3.17	31.5	3.97	36.7	4.83	39.2	5.33	41.7	5.84	46.9	6.52	48.2	6.58	
21		26.5	3.24	31.5	4.06	36.7	4.99	39.2	5.51	41.7	6.06	46.9	6.67	47.9	6.73	
23		26.5	3.43	31.5	4.34	36.7	5.36	39.2	5.91	41.7	6.49	46.2	6.99	47.3	7.04	
25		26.5	3.64	31.5	4.63	36.7	5.72	39.2	6.32	41.7	6.94	45.6	7.29	46.5	7.34	
27		26.5	3.89	31.5	4.94	36.7	6.12	39.2	6.76	41.7	7.38	44.9	7.63	45.9	7.69	
29		26.5	4.14	31.5	5.28	36.7	6.54	39.2	7.22	41.7	7.81	44.2	7.94	45.2	8.00	
31		26.5	4.43	31.5	5.62	36.7	6.97	39.2	7.70	41.7	8.21	43.6	8.24	44.5	8.31	
33		26.5	4.69	31.5	5.99	36.7	7.44	39.2	8.22	41.7	8.51	42.9	8.55	43.8	8.62	
35		26.5	4.99	31.5	6.37	36.7	7.92	39.2	8.77	41.1	8.82	42.2	8.86	43.1	8.93	
37		26.5	5.19	31.5	6.64	36.7	8.15	39.2	8.92	40.4	8.96	41.6	9.00	42.6	9.08	
39		26.5	5.39	31.5	6.90	36.7	8.36	39.2	9.07	39.7	9.11	40.9	9.14	41.9	9.23	

Notes:
 1. TC: Total Capacity(kW) PI : Power Input(kW)(Comp. + Outdoor fan motor)
 2. Capacity tables show the average value of conditions which may occur.

7. Capacity Tables

Cooling Capacity(14HP)

Combination (%)	Outdoor air temp °C DB	Indoor air temp. (DB/WB, °C)													
		20		23		26		27		28		30		32	
		14		16		18		19		20		22		24	
		TC	PI	TC	PI	TC	PI	TC	PI	TC	PI	TC	PI	TC	PI
90	10	23.8	2.33	28.4	2.80	33.0	3.30	35.3	3.56	37.5	3.83	42.1	4.29	46.8	4.77
	12	23.8	2.36	28.4	2.84	33.0	3.36	35.3	3.63	37.5	3.91	42.1	4.37	46.8	4.85
	14	23.8	2.40	28.4	2.90	33.0	3.43	35.3	3.70	37.5	3.99	42.1	4.46	46.8	4.95
	16	23.8	2.44	28.4	2.96	33.0	3.50	35.3	3.77	37.5	4.06	42.1	4.54	46.8	5.03
	18	23.8	2.49	28.4	3.01	33.0	3.56	35.3	3.86	37.5	4.14	42.1	4.64	46.8	5.29
	20	23.8	2.53	28.4	3.07	33.0	3.63	35.3	3.93	37.5	4.30	42.1	4.96	46.8	5.54
	21	23.8	2.56	28.4	3.10	33.0	3.70	35.3	4.06	37.5	4.46	42.1	5.15	46.8	5.67
	23	23.8	2.61	28.4	3.23	33.0	3.96	35.3	4.36	37.5	4.77	42.1	5.52	46.1	5.93
	25	23.8	2.74	28.4	3.44	33.0	4.23	35.3	4.66	37.5	5.10	42.1	5.90	45.5	6.19
	27	23.8	2.93	28.4	3.67	33.0	4.51	35.3	4.97	37.5	5.46	42.1	6.27	44.8	6.48
	29	23.8	3.10	28.4	3.91	33.0	4.83	35.3	5.31	37.5	5.83	42.1	6.71	44.1	6.74
	31	23.8	3.30	28.4	4.17	33.0	5.14	35.3	5.66	37.5	6.21	42.1	6.97	43.5	7.00
	33	23.8	3.51	28.4	4.44	33.0	5.49	35.3	6.03	37.5	6.59	42.1	7.24	42.8	7.26
	35	23.8	3.73	28.4	4.71	33.0	5.83	35.3	6.43	37.5	6.99	41.4	7.50	42.1	7.52
	37	23.8	3.96	28.4	5.01	33.0	6.21	35.3	6.83	37.5	7.38	40.7	7.76	41.5	7.78
	39	23.8	4.19	28.4	5.33	33.0	6.58	35.3	7.20	37.5	7.76	40.1	8.02	40.8	8.04
80	10	21.1	2.25	25.2	2.70	29.3	3.17	31.4	3.42	33.5	3.67	37.5	4.18	41.6	4.54
	12	21.1	2.29	25.2	2.73	29.3	3.23	31.4	3.48	33.5	3.73	37.5	4.26	41.6	4.63
	14	21.1	2.32	25.2	2.79	29.3	3.28	31.4	3.54	33.5	3.79	37.5	4.34	41.6	4.72
	16	21.1	2.36	25.2	2.84	29.3	3.34	31.4	3.60	33.5	3.87	37.5	4.43	41.6	4.81
	18	21.1	2.40	25.2	2.89	29.3	3.40	31.4	3.67	33.5	3.95	37.5	4.51	41.6	4.91
	20	21.1	2.45	25.2	2.95	29.3	3.48	31.4	3.74	33.5	4.02	37.5	4.68	41.6	5.26
	21	21.1	2.46	25.2	2.98	29.3	3.51	31.4	3.79	33.5	4.12	37.5	4.83	41.6	5.45
	23	21.1	2.51	25.2	3.03	29.3	3.67	31.4	4.02	33.5	4.40	37.5	5.10	41.6	5.84
	25	21.1	2.60	25.2	3.23	29.3	3.93	31.4	4.30	33.5	4.71	37.5	5.45	41.6	6.19
	27	21.1	2.76	25.2	3.43	29.3	4.20	31.4	4.60	33.5	5.02	37.5	5.80	41.6	6.48
	29	21.1	2.93	25.2	3.67	29.3	4.46	31.4	4.90	33.5	5.37	37.5	6.21	41.6	6.74
	31	21.1	3.12	25.2	3.88	29.3	4.76	31.4	5.23	33.5	5.71	37.5	6.59	41.6	7.00
	33	21.1	3.31	25.2	4.15	29.3	5.07	31.4	5.57	33.5	6.08	37.5	6.94	41.6	7.26
	35	21.1	3.51	25.2	4.40	29.3	5.40	31.4	5.93	33.5	6.49	37.5	7.36	41.1	7.52
	37	21.1	3.71	25.2	4.68	29.3	5.72	31.4	6.30	33.5	6.89	37.5	7.76	40.5	7.78
	39	21.1	3.92	25.2	4.94	29.3	6.06	31.4	6.64	33.5	7.34	37.5	8.02	39.8	8.04
70	10	18.5	2.05	22.1	2.44	25.6	2.83	27.4	3.05	29.3	3.26	32.8	3.72	36.4	4.16
	12	18.5	2.08	22.1	2.47	25.6	2.89	27.4	3.10	29.3	3.33	32.8	3.78	36.4	4.23
	14	18.5	2.12	22.1	2.50	25.6	2.94	27.4	3.15	29.3	3.38	32.8	3.86	36.4	4.31
	16	18.5	2.15	22.1	2.55	25.6	2.99	27.4	3.22	29.3	3.44	32.8	3.93	36.4	4.41
	18	18.5	2.18	22.1	2.60	25.6	3.05	27.4	3.28	29.3	3.51	32.8	3.99	36.4	4.48
	20	18.5	2.21	22.1	2.65	25.6	3.10	27.4	3.34	29.3	3.59	32.8	4.09	36.4	4.65
	21	18.5	2.25	22.1	2.67	25.6	3.13	27.4	3.38	29.3	3.62	32.8	4.15	36.4	4.80
	23	18.5	2.28	22.1	2.73	25.6	3.20	27.4	3.49	29.3	3.80	32.8	4.44	36.4	5.07
	25	18.5	2.31	22.1	2.83	25.6	3.41	27.4	3.73	29.3	4.06	32.8	4.75	36.4	5.42
	27	18.5	2.44	22.1	3.02	25.6	3.64	27.4	3.96	29.3	4.33	32.8	5.07	36.4	5.76
	29	18.5	2.60	22.1	3.20	25.6	3.86	27.4	4.22	29.3	4.60	32.8	5.41	36.4	6.17
	31	18.5	2.76	22.1	3.41	25.6	4.12	27.4	4.51	29.3	4.91	32.8	5.77	36.4	6.55
	33	18.5	2.92	22.1	3.60	25.6	4.38	27.4	4.78	29.3	5.22	32.8	6.14	36.4	6.90
	35	18.5	3.09	22.1	3.85	25.6	4.65	27.4	5.09	29.3	5.56	32.8	6.54	36.4	7.32
	37	18.5	3.28	22.1	4.07	25.6	4.94	27.4	5.41	29.3	5.91	32.8	6.96	36.4	7.73
	39	18.5	3.45	22.1	4.30	25.6	5.23	27.4	5.71	29.3	6.26	32.8	7.38	36.4	8.04
60	10	15.8	1.84	18.9	2.16	22.0	2.51	23.5	2.69	25.1	2.86	28.1	3.24	31.2	3.63
	12	15.8	1.87	18.9	2.19	22.0	2.54	23.5	2.72	25.1	2.91	28.1	3.29	31.2	3.69
	14	15.8	1.89	18.9	2.22	22.0	2.59	23.5	2.78	25.1	2.96	28.1	3.36	31.2	3.76
	16	15.8	1.92	18.9	2.27	22.0	2.62	23.5	2.83	25.1	3.03	28.1	3.43	31.2	3.83
	18	15.8	1.96	18.9	2.31	22.0	2.67	23.5	2.88	25.1	3.08	28.1	3.48	31.2	3.91
	20	15.8	1.99	18.9	2.34	22.0	2.72	23.5	2.93	25.1	3.13	28.1	3.54	31.2	4.00
	21	15.8	2.01	18.9	2.36	22.0	2.76	23.5	2.96	25.1	3.16	28.1	3.59	31.2	4.03
	23	15.8	2.04	18.9	2.41	22.0	2.79	23.5	3.01	25.1	3.23	28.1	3.73	31.2	4.28
	25	15.8	2.07	18.9	2.46	22.0	2.91	23.5	3.16	25.1	3.43	28.1	3.98	31.2	4.58
	27	15.8	2.14	18.9	2.59	22.0	3.09	23.5	3.36	25.1	3.64	28.1	4.23	31.2	4.88
	29	15.8	2.27	18.9	2.76	22.0	3.29	23.5	3.58	25.1	3.88	28.1	4.51	31.2	5.22
	31	15.8	2.41	18.9	2.93	22.0	3.49	23.5	3.81	25.1	4.13	28.1	4.81	31.2	5.55
	33	15.8	2.54	18.9	3.09	22.0	3.71	23.5	4.05	25.1	4.40	28.1	5.12	31.2	5.92
	35	15.8	2.69	18.9	3.29	22.0	3.95	23.5	4.30	25.1	4.66	28.1	5.45	31.2	6.29
	37	15.8	2.84	18.9	3.48	22.0	4.18	23.5	4.56	25.1	4.95	28.1	5.78	31.2	6.69
	39	15.8	2.99	18.9	3.66	22.0	4.42	23.5	4.85	25.1	5.22	28.1	6.14	31.2	7.09

Notes:
 1. TC: Total Capacity(kW) PI : Power Input(kW)(Comp. + Outdoor fan motor)
 2. Capacity tables show the average value of conditions which may occur.

7. Capacity Tables

Cooling Capacity(14HP)

Combination (%)	Outdoor air temp °C DB	Indoor air temp. (DB/WB, °C)													
		20		23		26		27		28		30		32	
		14		16		18		19		20		22		24	
		TC	PI	TC	PI	TC	PI	TC	PI	TC	PI	TC	PI	TC	PI
50	10	13.2	1.64	15.8	1.90	18.3	2.16	19.6	2.32	20.9	2.45	23.4	2.76	26.0	3.08
	12	13.2	1.66	15.8	1.92	18.3	2.19	19.6	2.35	20.9	2.51	23.4	2.82	26.0	3.13
	14	13.2	1.68	15.8	1.95	18.3	2.23	19.6	2.38	20.9	2.54	23.4	2.85	26.0	3.18
	16	13.2	1.71	15.8	1.99	18.3	2.26	19.6	2.44	20.9	2.57	23.4	2.90	26.0	3.23
	18	13.2	1.73	15.8	2.00	18.3	2.30	19.6	2.47	20.9	2.63	23.4	2.95	26.0	3.30
	20	13.2	1.75	15.8	2.04	18.3	2.35	19.6	2.51	20.9	2.68	23.4	3.01	26.0	3.37
	21	13.2	1.76	15.8	2.06	18.3	2.37	19.6	2.54	20.9	2.70	23.4	3.04	26.0	3.40
	23	13.2	1.80	15.8	2.09	18.3	2.40	19.6	2.57	20.9	2.75	23.4	3.09	26.0	3.47
	25	13.2	1.81	15.8	2.13	18.3	2.45	19.6	2.63	20.9	2.83	23.4	3.25	26.0	3.71
	27	13.2	1.85	15.8	2.19	18.3	2.59	19.6	2.80	20.9	3.01	23.4	3.47	26.0	3.96
	29	13.2	1.95	15.8	2.33	18.3	2.75	19.6	2.97	20.9	3.20	23.4	3.68	26.0	4.20
	31	13.2	2.06	15.8	2.47	18.3	2.92	19.6	3.14	20.9	3.40	23.4	3.92	26.0	4.47
	33	13.2	2.18	15.8	2.61	18.3	3.09	19.6	3.33	20.9	3.61	23.4	4.16	26.0	4.77
	35	13.2	2.30	15.8	2.76	18.3	3.27	19.6	3.54	20.9	3.82	23.4	4.41	26.0	5.06
37	13.2	2.44	15.8	2.92	18.3	3.46	19.6	3.75	20.9	4.04	23.4	4.70	26.0	5.37	
39	13.2	2.55	15.8	3.07	18.3	3.67	19.6	3.96	20.9	4.25	23.4	4.96	26.0	5.69	

Notes:

1. TC: Total Capacity(kW) PI : Power Input(kW)(Comp. + Outdoor fan motor)
2. Capacity tables show the average value of conditions which may occur.

7. Capacity Tables

ARUB160LTE4

Cooling Capacity(16HP)

Combination (%)	Outdoor air temp °C DB	Indoor air temp. (DB/WB, °C)													
		20		23		26		27		28		30		32	
		14		16		18		19		20		22		24	
		TC	PI	TC	PI	TC	PI	TC	PI	TC	PI	TC	PI	TC	PI
130	10	41.0	4.42	48.8	5.40	56.6	6.27	58.8	6.39	59.4	6.46	60.9	6.50	62.4	6.53
	12	41.0	4.53	48.8	5.60	56.6	6.52	57.9	6.57	58.9	6.69	60.1	6.76	61.6	6.79
	14	41.0	4.68	48.8	5.80	56.4	6.77	57.3	6.82	57.9	6.94	59.4	7.00	60.9	7.06
	16	41.0	4.85	48.8	6.00	55.8	7.07	56.4	7.14	57.1	7.19	58.6	7.26	60.1	7.32
	18	41.0	5.06	48.8	6.35	54.9	7.45	55.6	7.52	56.4	7.56	57.9	7.60	59.4	7.64
	20	41.0	5.28	48.8	6.76	54.1	7.81	55.1	7.88	55.6	7.93	57.1	7.97	58.6	8.01
	21	41.0	5.42	48.8	7.00	53.8	7.99	54.6	8.07	55.3	8.11	56.8	8.15	58.3	8.20
	23	41.0	5.81	48.8	7.51	53.1	8.33	53.8	8.41	54.6	8.48	55.9	8.52	57.4	8.57
	25	41.0	6.21	48.8	8.03	52.3	8.70	53.1	8.79	53.8	8.85	55.3	8.89	56.8	8.95
	27	41.0	6.64	48.8	8.58	51.6	9.08	52.3	9.15	53.1	9.22	54.6	9.26	55.9	9.32
	29	41.0	7.08	48.8	9.17	50.8	9.46	51.5	9.52	52.3	9.59	53.8	9.63	55.3	9.69
	31	41.0	7.55	48.6	9.66	49.9	9.83	50.8	9.90	51.5	9.95	52.9	10.00	54.4	10.06
	33	41.0	8.05	47.8	10.03	49.3	10.21	50.1	10.27	50.8	10.32	52.3	10.38	53.6	10.44
	35	41.0	8.58	46.9	10.40	48.4	10.58	49.3	10.65	50.1	10.69	51.4	10.75	52.9	10.81
	37	41.0	8.88	46.3	10.60	47.8	10.79	48.4	10.88	49.3	10.92	50.6	10.95	52.1	11.03
	39	41.0	9.19	45.5	10.81	46.9	11.01	47.8	11.09	48.4	11.12	49.9	11.16	51.4	11.24
120	10	37.9	3.98	45.0	4.88	52.4	5.79	56.1	6.26	58.7	6.36	60.1	6.39	61.4	6.41
	12	37.9	4.08	45.0	5.04	52.4	6.03	56.1	6.39	57.9	6.60	59.2	6.68	60.6	6.70
	14	37.9	4.22	45.0	5.21	52.4	6.27	56.1	6.64	57.1	6.84	58.6	6.94	59.9	7.00
	16	37.9	4.38	45.0	5.42	52.4	6.51	55.7	6.99	56.4	7.15	57.7	7.18	59.1	7.26
	18	37.9	4.55	45.0	5.67	52.4	6.91	54.9	7.38	55.6	7.52	56.9	7.55	58.4	7.58
	20	37.9	4.72	45.0	6.01	52.4	7.36	54.2	7.81	54.9	7.89	56.2	7.92	57.6	7.95
	21	37.9	4.86	45.0	6.23	52.4	7.62	53.7	7.99	54.4	8.07	55.9	8.10	57.2	8.14
	23	37.9	5.20	45.0	6.66	52.4	8.13	53.1	8.34	53.7	8.44	55.1	8.47	56.4	8.51
	25	37.9	5.56	45.0	7.14	51.6	8.57	52.2	8.72	52.9	8.80	54.4	8.84	55.7	8.88
	27	37.9	5.93	45.0	7.63	50.9	9.00	51.6	9.08	52.2	9.17	53.6	9.21	54.9	9.25
	29	37.9	6.33	45.0	8.15	50.1	9.38	50.7	9.45	51.4	9.54	52.7	9.58	54.2	9.61
	31	37.9	6.74	45.0	8.70	49.2	9.77	50.1	9.81	50.7	9.91	52.1	9.94	53.4	9.98
	33	37.9	7.18	45.0	9.27	48.6	10.12	49.2	10.18	49.9	10.27	51.2	10.31	52.6	10.35
	35	37.9	7.63	45.0	9.89	47.7	10.52	48.4	10.56	49.2	10.64	50.6	10.68	51.9	10.72
	37	37.9	7.97	45.0	10.13	47.0	10.70	47.7	10.77	48.4	10.81	49.7	10.88	51.1	10.90
	39	37.9	8.31	44.9	10.37	46.2	10.88	46.9	10.96	47.5	10.99	49.1	11.06	50.4	11.09
110	10	34.7	3.58	41.3	4.36	48.0	5.18	51.3	5.61	54.7	6.03	58.8	6.28	60.2	6.30
	12	34.7	3.69	41.3	4.51	48.0	5.39	51.3	5.76	54.7	6.26	58.2	6.52	59.3	6.61
	14	34.7	3.80	41.3	4.71	48.0	5.64	51.3	6.05	54.7	6.57	57.3	6.76	58.7	6.90
	16	34.7	3.94	41.3	4.88	48.0	5.87	51.3	6.31	54.7	6.97	56.7	7.14	57.8	7.19
	18	34.7	4.08	41.3	5.08	48.0	6.21	51.3	6.73	54.7	7.38	55.8	7.51	57.2	7.54
	20	34.7	4.23	41.3	5.34	48.0	6.58	51.3	7.17	53.8	7.79	55.2	7.87	56.3	7.90
	21	34.7	4.32	41.3	5.50	48.0	6.82	51.3	7.43	53.5	7.97	54.7	8.06	56.0	8.09
	23	34.7	4.61	41.3	5.89	48.0	7.32	51.3	7.88	52.7	8.34	54.0	8.42	55.2	8.45
	25	34.7	4.92	41.3	6.29	48.0	7.83	51.3	8.35	52.0	8.70	53.2	8.79	54.5	8.82
	27	34.7	5.26	41.3	6.72	48.0	8.38	50.5	8.81	51.2	9.11	52.5	9.15	53.7	9.19
	29	34.7	5.62	41.3	7.18	48.0	8.94	49.8	9.18	50.5	9.48	51.7	9.52	53.0	9.56
	31	34.7	5.97	41.3	7.65	48.0	9.55	49.0	9.59	49.7	9.84	51.0	9.89	52.2	9.92
	33	34.7	6.37	41.3	8.15	47.7	10.08	48.3	10.02	49.0	10.21	50.2	10.25	51.5	10.29
	35	34.7	6.76	41.3	8.70	46.8	10.44	47.5	10.48	48.2	10.58	49.3	10.62	50.7	10.66
	37	34.7	7.03	41.3	8.96	46.2	10.62	46.8	10.64	47.3	10.73	48.7	10.80	49.8	10.83
	39	34.7	7.30	41.3	9.23	45.3	10.79	46.0	10.81	46.7	10.90	47.8	10.96	49.2	10.99
100	10	30.2	3.37	36.0	4.10	41.9	4.86	44.8	5.25	47.7	5.64	53.6	6.28	58.9	6.33
	12	30.2	3.48	36.0	4.26	41.9	5.02	44.8	5.39	47.7	5.82	53.6	6.62	58.1	6.68
	14	30.2	3.59	36.0	4.43	41.9	5.23	44.8	5.62	47.7	6.07	53.6	6.99	57.4	7.05
	16	30.2	3.70	36.0	4.58	41.9	5.46	44.8	5.89	47.7	6.40	53.6	7.32	56.6	7.43
	18	30.2	3.80	36.0	4.75	41.9	5.67	44.8	6.18	47.7	6.78	53.6	7.74	55.8	7.80
	20	30.2	3.94	36.0	4.93	41.9	6.00	44.8	6.62	47.7	7.26	53.6	8.11	55.0	8.17
	21	30.2	4.02	36.0	5.05	41.9	6.20	44.8	6.85	47.7	7.53	53.6	8.29	54.7	8.36
	23	30.2	4.26	36.0	5.40	41.9	6.66	44.8	7.34	47.7	8.07	52.8	8.68	54.0	8.75
	25	30.2	4.53	36.0	5.75	41.9	7.11	44.8	7.86	47.7	8.62	52.1	9.06	53.1	9.13
	27	30.2	4.84	36.0	6.14	41.9	7.61	44.8	8.40	47.7	9.17	51.3	9.48	52.5	9.56
	29	30.2	5.15	36.0	6.56	41.9	8.13	44.8	8.98	47.7	9.71	50.6	9.86	51.7	9.94
	31	30.2	5.50	36.0	6.99	41.9	8.67	44.8	9.58	47.7	10.20	49.8	10.24	50.9	10.33
	33	30.2	5.83	36.0	7.45	41.9	9.25	44.8	10.22	47.7	10.58	49.0	10.63	50.1	10.71
	35	30.2	6.20	36.0	7.92	41.9	9.85	44.8	10.90	47.0	10.97	48.3	11.01	49.3	11.10
	37	30.2	6.45	36.0	8.25	41.9	10.13	44.8	11.09	46.2	11.14	47.5	11.19	48.6	11.29
	39	30.2	6.70	36.0	8.58	41.9	10.39	44.8	11.27	45.4	11.32	46.7	11.36	47.8	11.47

Notes:
 1. TC: Total Capacity(kW) PI : Power Input(kW)(Comp. + Outdoor fan motor)
 2. Capacity tables show the average value of conditions which may occur.

7. Capacity Tables

Cooling Capacity(16HP)

Combination (%)	Outdoor air temp °C DB	Indoor air temp. (DB/WB, °C)													
		20		23		26		27		28		30		32	
		14		16		18		19		20		22		24	
		TC	PI	TC	PI	TC	PI	TC	PI	TC	PI	TC	PI	TC	PI
90	10	27.2	3.00	32.5	3.61	37.8	4.25	40.3	4.58	42.9	4.93	48.2	5.52	53.4	6.05
	12	27.2	3.04	32.5	3.66	37.8	4.32	40.3	4.67	42.9	5.04	48.2	5.63	53.4	6.25
	14	27.2	3.09	32.5	3.74	37.8	4.42	40.3	4.77	42.9	5.13	48.2	5.74	53.4	6.37
	16	27.2	3.15	32.5	3.81	37.8	4.51	40.3	4.86	42.9	5.23	48.2	5.85	53.4	6.48
	18	27.2	3.20	32.5	3.88	37.8	4.58	40.3	4.97	42.9	5.34	48.2	5.98	53.4	6.81
	20	27.2	3.26	32.5	3.96	37.8	4.67	40.3	5.06	42.9	5.54	48.2	6.39	53.4	7.13
	21	27.2	3.29	32.5	3.99	37.8	4.77	40.3	5.23	42.9	5.74	48.2	6.63	53.4	7.30
	23	27.2	3.37	32.5	4.16	37.8	5.10	40.3	5.61	42.9	6.15	48.2	7.11	52.7	7.64
	25	27.2	3.53	32.5	4.43	37.8	5.45	40.3	6.00	42.9	6.57	48.2	7.60	51.9	7.97
	27	27.2	3.77	32.5	4.73	37.8	5.82	40.3	6.40	42.9	7.03	48.2	8.08	51.2	8.34
	29	27.2	3.99	32.5	5.04	37.8	6.22	40.3	6.85	42.9	7.51	48.2	8.64	50.4	8.68
	31	27.2	4.25	32.5	5.37	37.8	6.62	40.3	7.29	42.9	8.00	48.2	8.98	49.7	9.01
	33	27.2	4.53	32.5	5.72	37.8	7.07	40.3	7.77	42.9	8.49	48.2	9.32	48.9	9.35
	35	27.2	4.80	32.5	6.07	37.8	7.51	40.3	8.28	42.9	9.00	47.3	9.66	48.1	9.69
	37	27.2	5.10	32.5	6.46	37.8	8.01	40.3	8.80	42.9	9.50	46.6	10.00	47.4	10.02
39	27.2	5.40	32.5	6.87	37.8	8.47	40.3	9.27	42.9	9.99	45.8	10.33	46.6	10.36	
80	10	24.2	2.80	28.8	3.36	33.4	3.94	35.8	4.26	38.2	4.57	42.9	5.21	47.5	5.65
	12	24.2	2.86	28.8	3.40	33.4	4.02	35.8	4.33	38.2	4.64	42.9	5.30	47.5	5.77
	14	24.2	2.90	28.8	3.48	33.4	4.08	35.8	4.41	38.2	4.72	42.9	5.40	47.5	5.88
	16	24.2	2.93	28.8	3.54	33.4	4.16	35.8	4.49	38.2	4.82	42.9	5.52	47.5	5.99
	18	24.2	2.99	28.8	3.59	33.4	4.24	35.8	4.57	38.2	4.92	42.9	5.62	47.5	6.12
	20	24.2	3.05	28.8	3.67	33.4	4.33	35.8	4.66	38.2	5.01	42.9	5.83	47.5	6.55
	21	24.2	3.07	28.8	3.71	33.4	4.37	35.8	4.72	38.2	5.13	42.9	6.01	47.5	6.79
	23	24.2	3.13	28.8	3.77	33.4	4.57	35.8	5.01	38.2	5.48	42.9	6.35	47.5	7.28
	25	24.2	3.25	28.8	4.02	33.4	4.90	35.8	5.36	38.2	5.87	42.9	6.79	47.5	7.78
	27	24.2	3.44	28.8	4.27	33.4	5.23	35.8	5.73	38.2	6.26	42.9	7.22	47.5	8.27
	29	24.2	3.65	28.8	4.57	33.4	5.56	35.8	6.10	38.2	6.68	42.9	7.74	47.5	8.68
	31	24.2	3.89	28.8	4.84	33.4	5.93	35.8	6.51	38.2	7.11	42.9	8.21	47.5	9.01
	33	24.2	4.12	28.8	5.17	33.4	6.32	35.8	6.94	38.2	7.58	42.9	8.65	47.5	9.35
	35	24.2	4.37	28.8	5.48	33.4	6.72	35.8	7.38	38.2	8.08	42.9	9.17	47.0	9.69
	37	24.2	4.62	28.8	5.83	33.4	7.13	35.8	7.85	38.2	8.59	42.9	9.68	46.3	10.02
39	24.2	4.89	28.8	6.16	33.4	7.55	35.8	8.27	38.2	9.14	42.9	10.12	45.5	10.36	
70	10	21.1	2.48	25.3	2.94	29.3	3.41	31.4	3.68	33.4	3.94	37.4	4.48	41.6	5.01
	12	21.1	2.51	25.3	2.98	29.3	3.49	31.4	3.74	33.4	4.02	37.4	4.56	41.6	5.11
	14	21.1	2.55	25.3	3.02	29.3	3.55	31.4	3.80	33.4	4.07	37.4	4.66	41.6	5.20
	16	21.1	2.59	25.3	3.08	29.3	3.61	31.4	3.88	33.4	4.15	37.4	4.74	41.6	5.31
	18	21.1	2.63	25.3	3.14	29.3	3.68	31.4	3.96	33.4	4.23	37.4	4.81	41.6	5.41
	20	21.1	2.67	25.3	3.20	29.3	3.74	31.4	4.03	33.4	4.33	37.4	4.93	41.6	5.61
	21	21.1	2.71	25.3	3.22	29.3	3.78	31.4	4.07	33.4	4.37	37.4	5.01	41.6	5.79
	23	21.1	2.75	25.3	3.29	29.3	3.86	31.4	4.21	33.4	4.58	37.4	5.36	41.6	6.11
	25	21.1	2.79	25.3	3.41	29.3	4.11	31.4	4.50	33.4	4.89	37.4	5.73	41.6	6.54
	27	21.1	2.94	25.3	3.65	29.3	4.39	31.4	4.78	33.4	5.22	37.4	6.12	41.6	6.95
	29	21.1	3.14	25.3	3.86	29.3	4.66	31.4	5.09	33.4	5.56	37.4	6.53	41.6	7.45
	31	21.1	3.33	25.3	4.11	29.3	4.97	31.4	5.44	33.4	5.93	37.4	6.96	41.6	7.91
	33	21.1	3.53	25.3	4.35	29.3	5.28	31.4	5.77	33.4	6.30	37.4	7.41	41.6	8.33
	35	21.1	3.72	25.3	4.64	29.3	5.61	31.4	6.14	33.4	6.71	37.4	7.89	41.6	8.83
	37	21.1	3.96	25.3	4.91	29.3	5.96	31.4	6.53	33.4	7.13	37.4	8.40	41.6	9.32
39	21.1	4.16	25.3	5.19	29.3	6.31	31.4	6.89	33.4	7.56	37.4	8.90	41.6	9.75	
60	10	18.1	2.15	21.6	2.52	25.1	2.93	26.9	3.15	28.6	3.34	32.2	3.79	35.7	4.24
	12	18.1	2.19	21.6	2.56	25.1	2.97	26.9	3.19	28.6	3.40	32.2	3.85	35.7	4.32
	14	18.1	2.21	21.6	2.60	25.1	3.03	26.9	3.25	28.6	3.46	32.2	3.93	35.7	4.40
	16	18.1	2.25	21.6	2.66	25.1	3.07	26.9	3.30	28.6	3.54	32.2	4.01	35.7	4.48
	18	18.1	2.29	21.6	2.70	25.1	3.13	26.9	3.36	28.6	3.60	32.2	4.07	35.7	4.58
	20	18.1	2.33	21.6	2.74	25.1	3.19	26.9	3.42	28.6	3.66	32.2	4.15	35.7	4.67
	21	18.1	2.35	21.6	2.76	25.1	3.23	26.9	3.46	28.6	3.70	32.2	4.20	35.7	4.71
	23	18.1	2.39	21.6	2.82	25.1	3.27	26.9	3.52	28.6	3.77	32.2	4.36	35.7	5.01
	25	18.1	2.42	21.6	2.87	25.1	3.40	26.9	3.70	28.6	4.01	32.2	4.65	35.7	5.36
	27	18.1	2.50	21.6	3.03	25.1	3.62	26.9	3.93	28.6	4.26	32.2	4.95	35.7	5.71
	29	18.1	2.66	21.6	3.23	25.1	3.85	26.9	4.18	28.6	4.54	32.2	5.28	35.7	6.10
	31	18.1	2.82	21.6	3.42	25.1	4.09	26.9	4.46	28.6	4.83	32.2	5.63	35.7	6.49
	33	18.1	2.97	21.6	3.62	25.1	4.34	26.9	4.73	28.6	5.14	32.2	5.98	35.7	6.92
	35	18.1	3.15	21.6	3.85	25.1	4.61	26.9	5.03	28.6	5.46	32.2	6.37	35.7	7.35
	37	18.1	3.32	21.6	4.07	25.1	4.89	26.9	5.34	28.6	5.79	32.2	6.77	35.7	7.82
39	18.1	3.50	21.6	4.29	25.1	5.17	26.9	5.67	28.6	6.11	32.2	7.18	35.7	8.30	

Notes:
 1. TC: Total Capacity(kW) PI : Power Input(kW)(Comp. + Outdoor fan motor)
 2. Capacity tables show the average value of conditions which may occur.

7. Capacity Tables

Cooling Capacity(16HP)

Combination (%)	Outdoor air temp °C DB	Indoor air temp. (DB/WB, °C)													
		20		23		26		27		28		30		32	
		14		16		18		19		20		22		24	
		TC	PI	TC	PI	TC	PI	TC	PI	TC	PI	TC	PI	TC	PI
50	10	15.1	1.86	18.1	2.16	21.0	2.45	22.4	2.63	23.8	2.79	26.7	3.14	29.8	3.49
	12	15.1	1.88	18.1	2.18	21.0	2.49	22.4	2.67	23.8	2.84	26.7	3.20	29.8	3.55
	14	15.1	1.90	18.1	2.22	21.0	2.53	22.4	2.71	23.8	2.88	26.7	3.24	29.8	3.61
	16	15.1	1.94	18.1	2.26	21.0	2.57	22.4	2.77	23.8	2.92	26.7	3.30	29.8	3.67
	18	15.1	1.96	18.1	2.28	21.0	2.61	22.4	2.80	23.8	2.98	26.7	3.35	29.8	3.75
	20	15.1	1.98	18.1	2.31	21.0	2.67	22.4	2.84	23.8	3.04	26.7	3.41	29.8	3.82
	21	15.1	2.00	18.1	2.33	21.0	2.69	22.4	2.88	23.8	3.06	26.7	3.45	29.8	3.86
	23	15.1	2.04	18.1	2.37	21.0	2.73	22.4	2.92	23.8	3.12	26.7	3.51	29.8	3.94
	25	15.1	2.06	18.1	2.41	21.0	2.79	22.4	2.98	23.8	3.22	26.7	3.69	29.8	4.22
	27	15.1	2.10	18.1	2.49	21.0	2.94	22.4	3.18	23.8	3.41	26.7	3.94	29.8	4.49
	29	15.1	2.22	18.1	2.65	21.0	3.12	22.4	3.37	23.8	3.63	26.7	4.18	29.8	4.77
	31	15.1	2.33	18.1	2.80	21.0	3.31	22.4	3.57	23.8	3.86	26.7	4.45	29.8	5.08
	33	15.1	2.47	18.1	2.96	21.0	3.51	22.4	3.79	23.8	4.10	26.7	4.73	29.8	5.41
	35	15.1	2.61	18.1	3.14	21.0	3.71	22.4	4.02	23.8	4.33	26.7	5.00	29.8	5.75
	37	15.1	2.77	18.1	3.31	21.0	3.92	22.4	4.26	23.8	4.59	26.7	5.33	29.8	6.10
39	15.1	2.89	18.1	3.48	21.0	4.16	22.4	4.49	23.8	4.83	26.7	5.63	29.8	6.46	

Notes:

1. TC: Total Capacity(kW) PI : Power Input(kW)(Comp. + Outdoor fan motor)
2. Capacity tables show the average value of conditions which may occur.

7. Capacity Tables

ARUB180LTE4

Cooling Capacity(18HP)

Combination (%)	Outdoor air temp °C DB	Indoor air temp. (DB/WB, °C)													
		20		23		26		27		28		30		32	
		14		16		18		19		20		22		24	
		TC	PI	TC	PI	TC	PI	TC	PI	TC	PI	TC	PI	TC	PI
130	10	46.1	4.18	54.9	5.11	63.7	5.92	66.1	6.04	66.9	6.11	68.6	6.14	70.2	6.18
	12	46.1	4.28	54.9	5.29	63.7	6.17	65.2	6.21	66.3	6.33	67.6	6.39	69.3	6.42
	14	46.1	4.43	54.9	5.48	63.5	6.40	64.4	6.45	65.2	6.56	66.9	6.62	68.6	6.67
	16	46.1	4.59	54.9	5.67	62.8	6.69	63.5	6.75	64.2	6.80	65.9	6.86	67.6	6.92
	18	46.1	4.78	54.9	6.00	61.8	7.05	62.6	7.10	63.5	7.15	65.2	7.18	66.9	7.22
	20	46.1	4.99	54.9	6.39	60.9	7.38	61.9	7.45	62.6	7.49	64.2	7.53	65.9	7.58
	21	46.1	5.12	54.9	6.62	60.5	7.55	61.4	7.63	62.2	7.67	63.9	7.71	65.6	7.75
	23	46.1	5.50	54.9	7.10	59.7	7.87	60.5	7.95	61.4	8.02	62.9	8.06	64.6	8.10
	25	46.1	5.87	54.9	7.59	58.8	8.23	59.8	8.31	60.5	8.36	62.2	8.41	63.9	8.46
	27	46.1	6.28	54.9	8.11	58.1	8.58	58.8	8.64	59.8	8.71	61.4	8.76	62.9	8.81
	29	46.1	6.69	54.9	8.67	57.1	8.94	58.0	9.00	58.8	9.06	60.5	9.11	62.2	9.16
	31	46.1	7.14	54.7	9.13	56.2	9.29	57.1	9.36	58.0	9.41	59.6	9.46	61.2	9.51
	33	46.1	7.61	53.8	9.48	55.4	9.65	56.3	9.71	57.1	9.76	58.8	9.81	60.3	9.87
	35	46.1	8.11	52.8	9.83	54.5	10.00	55.4	10.07	56.3	10.11	57.9	10.16	59.6	10.22
	37	46.1	8.40	52.1	10.02	53.8	10.20	54.5	10.28	55.4	10.32	56.9	10.35	58.6	10.43
	39	46.1	8.68	51.1	10.22	52.8	10.40	53.8	10.48	54.5	10.52	56.2	10.55	57.9	10.63
120	10	42.6	3.76	50.7	4.61	58.9	5.48	63.1	5.92	66.1	6.01	67.6	6.04	69.1	6.06
	12	42.6	3.86	50.7	4.76	58.9	5.70	63.1	6.04	65.1	6.24	66.6	6.31	68.1	6.34
	14	42.6	3.99	50.7	4.93	58.9	5.93	63.1	6.27	64.2	6.46	65.9	6.56	67.4	6.62
	16	42.6	4.14	50.7	5.13	58.9	6.16	62.7	6.61	63.5	6.76	64.9	6.79	66.4	6.87
	18	42.6	4.30	50.7	5.36	58.9	6.53	61.8	6.98	62.5	7.11	64.0	7.14	65.7	7.17
	20	42.6	4.46	50.7	5.68	58.9	6.96	61.0	7.38	61.8	7.46	63.2	7.49	64.8	7.52
	21	42.6	4.60	50.7	5.89	58.9	7.20	60.4	7.55	61.2	7.63	62.9	7.66	64.4	7.69
	23	42.6	4.92	50.7	6.30	58.9	7.68	59.7	7.89	60.4	7.98	61.9	8.01	63.5	8.04
	25	42.6	5.25	50.7	6.75	58.0	8.10	58.7	8.24	59.5	8.32	61.2	8.36	62.7	8.39
	27	42.6	5.61	50.7	7.21	57.2	8.51	58.0	8.58	58.7	8.67	60.3	8.70	61.8	8.74
	29	42.6	5.98	50.7	7.70	56.3	8.87	57.1	8.93	57.8	9.02	59.3	9.05	61.0	9.09
	31	42.6	6.37	50.7	8.22	55.4	9.23	56.3	9.27	57.1	9.36	58.6	9.40	60.1	9.44
	33	42.6	6.78	50.7	8.77	54.6	9.57	55.4	9.63	56.1	9.71	57.6	9.75	59.1	9.79
	35	42.6	7.21	50.7	9.35	53.7	9.94	54.4	9.98	55.4	10.06	56.9	10.10	58.4	10.14
	37	42.6	7.53	50.7	9.57	52.9	10.11	53.7	10.18	54.4	10.22	55.9	10.28	57.4	10.31
	39	42.6	7.85	50.5	9.80	52.0	10.29	52.7	10.36	53.5	10.39	55.2	10.46	56.7	10.49
110	10	39.0	3.38	46.5	4.12	54.0	4.90	57.7	5.30	61.5	5.70	66.2	5.93	67.7	5.96
	12	39.0	3.49	46.5	4.26	54.0	5.10	57.7	5.45	61.5	5.92	65.4	6.16	66.7	6.25
	14	39.0	3.60	46.5	4.45	54.0	5.33	57.7	5.72	61.5	6.21	64.5	6.39	66.0	6.53
	16	39.0	3.72	46.5	4.61	54.0	5.55	57.7	5.97	61.5	6.59	63.7	6.75	65.0	6.80
	18	39.0	3.86	46.5	4.81	54.0	5.87	57.7	6.36	61.5	6.98	62.8	7.10	64.3	7.12
	20	39.0	4.00	46.5	5.05	54.0	6.22	57.7	6.78	60.5	7.36	62.1	7.44	63.4	7.47
	21	39.0	4.09	46.5	5.20	54.0	6.45	57.7	7.02	60.2	7.53	61.5	7.61	63.0	7.64
	23	39.0	4.35	46.5	5.57	54.0	6.92	57.7	7.45	59.2	7.89	60.7	7.96	62.1	7.99
	25	39.0	4.65	46.5	5.94	54.0	7.40	57.7	7.89	58.5	8.22	59.8	8.31	61.3	8.34
	27	39.0	4.97	46.5	6.35	54.0	7.92	56.8	8.33	57.6	8.61	59.0	8.65	60.4	8.69
	29	39.0	5.31	46.5	6.78	54.0	8.45	56.0	8.68	56.8	8.96	58.1	9.00	59.6	9.03
	31	39.0	5.64	46.5	7.23	54.0	9.03	55.1	9.07	55.9	9.30	57.4	9.34	58.7	9.38
	33	39.0	6.02	46.5	7.70	53.6	9.53	54.4	9.47	55.1	9.65	56.4	9.69	57.9	9.73
	35	39.0	6.39	46.5	8.22	52.7	9.87	53.4	9.91	54.2	10.00	55.5	10.04	57.0	10.08
	37	39.0	6.64	46.5	8.47	51.9	10.04	52.7	10.06	53.2	10.14	54.7	10.20	56.0	10.23
	39	39.0	6.90	46.5	8.72	51.0	10.20	51.7	10.22	52.5	10.30	53.8	10.36	55.3	10.39
100	10	34.0	3.38	40.5	4.11	47.2	4.87	50.4	5.26	53.6	5.66	60.3	6.30	66.2	6.35
	12	34.0	3.49	40.5	4.27	47.2	5.04	50.4	5.41	53.6	5.84	60.3	6.63	65.3	6.70
	14	34.0	3.60	40.5	4.44	47.2	5.25	50.4	5.64	53.6	6.09	60.3	7.01	64.6	7.07
	16	34.0	3.71	40.5	4.59	47.2	5.47	50.4	5.91	53.6	6.42	60.3	7.34	63.7	7.45
	18	34.0	3.81	40.5	4.76	47.2	5.68	50.4	6.20	53.6	6.80	60.3	7.76	62.8	7.82
	20	34.0	3.95	40.5	4.94	47.2	6.01	50.4	6.64	53.6	7.28	60.3	8.13	61.9	8.20
	21	34.0	4.03	40.5	5.06	47.2	6.22	50.4	6.86	53.6	7.55	60.3	8.32	61.6	8.38
	23	34.0	4.27	40.5	5.41	47.2	6.68	50.4	7.36	53.6	8.09	59.4	8.71	60.8	8.78
	25	34.0	4.54	40.5	5.77	47.2	7.13	50.4	7.88	53.6	8.65	58.6	9.08	59.8	9.15
	27	34.0	4.85	40.5	6.16	47.2	7.63	50.4	8.42	53.6	9.20	57.7	9.51	59.0	9.58
	29	34.0	5.16	40.5	6.57	47.2	8.15	50.4	9.00	53.6	9.73	56.9	9.89	58.1	9.97
	31	34.0	5.52	40.5	7.01	47.2	8.69	50.4	9.60	53.6	10.23	56.0	10.27	57.2	10.36
	33	34.0	5.85	40.5	7.47	47.2	9.27	50.4	10.25	53.6	10.61	55.2	10.66	56.3	10.74
	35	34.0	6.22	40.5	7.94	47.2	9.87	50.4	10.93	52.8	11.00	54.3	11.04	55.4	11.13
	37	34.0	6.47	40.5	8.27	47.2	10.15	50.4	11.12	52.0	11.17	53.4	11.22	54.7	11.32
	39	34.0	6.72	40.5	8.60	47.2	10.42	50.4	11.30	51.1	11.35	52.6	11.39	53.8	11.50

Notes:

1. TC: Total Capacity(kW) PI : Power Input(kW)(Comp. + Outdoor fan motor)
2. Capacity tables show the average value of conditions which may occur.

Outdoor Units

7. Capacity Tables

Cooling Capacity(18HP)

Combination (%)	Outdoor air temp °C DB	Indoor air temp. (DB/WB, °C)													
		20		23		26		27		28		30		32	
		14		16		18		19		20		22		24	
		TC	PI	TC	PI	TC	PI	TC	PI	TC	PI	TC	PI	TC	PI
90	10	30.6	3.04	36.5	3.70	42.5	4.39	45.4	4.74	48.2	5.10	54.2	5.67	60.1	5.72
	12	30.6	3.14	36.5	3.85	42.5	4.54	45.4	4.87	48.2	5.26	54.2	5.98	60.1	6.04
	14	30.6	3.24	36.5	4.01	42.5	4.73	45.4	5.08	48.2	5.49	54.2	6.17	60.1	6.37
	16	30.6	3.34	36.5	4.10	42.5	4.85	45.4	5.22	48.2	5.62	54.2	6.29	60.1	6.71
	18	30.6	3.44	36.5	4.18	42.5	4.93	45.4	5.34	48.2	5.74	54.2	6.43	60.1	7.05
	20	30.6	3.50	36.5	4.25	42.5	5.03	45.4	5.44	48.2	5.96	54.2	6.88	60.1	7.39
	21	30.6	3.54	36.5	4.29	42.5	5.13	45.4	5.62	48.2	6.17	54.2	7.13	60.1	7.55
	23	30.6	3.62	36.5	4.47	42.5	5.48	45.4	6.04	48.2	6.61	54.2	7.64	59.3	7.91
	25	30.6	3.80	36.5	4.77	42.5	5.86	45.4	6.45	48.2	7.06	54.2	8.17	58.4	8.25
	27	30.6	4.06	36.5	5.09	42.5	6.25	45.4	6.89	48.2	7.56	54.2	8.57	57.6	8.64
	29	30.6	4.29	36.5	5.42	42.5	6.69	45.4	7.36	48.2	8.07	54.2	8.91	56.7	8.98
	31	30.6	4.57	36.5	5.78	42.5	7.12	45.4	7.84	48.2	8.61	54.2	9.26	55.9	9.33
	33	30.6	4.87	36.5	6.15	42.5	7.60	45.4	8.35	48.2	9.13	54.2	9.60	55.0	9.68
	35	30.6	5.16	36.5	6.53	42.5	8.07	45.4	8.90	48.2	9.68	53.2	9.95	54.2	10.03
	37	30.6	5.48	36.5	6.95	42.5	8.61	45.4	9.46	48.2	10.07	52.4	10.11	53.3	10.20
39	30.6	5.80	36.5	7.39	42.5	9.11	45.4	9.97	48.2	10.23	51.5	10.27	52.4	10.36	
80	10	27.2	3.04	32.4	3.67	37.6	4.31	40.3	4.65	43.0	4.99	48.2	5.67	53.5	5.72
	12	27.2	3.12	32.4	3.72	37.6	4.40	40.3	4.74	43.0	5.07	48.2	5.80	53.5	6.04
	14	27.2	3.16	32.4	3.80	37.6	4.46	40.3	4.82	43.0	5.16	48.2	5.90	53.5	6.37
	16	27.2	3.21	32.4	3.86	37.6	4.54	40.3	4.90	43.0	5.27	48.2	6.03	53.5	6.55
	18	27.2	3.27	32.4	3.93	37.6	4.63	40.3	4.99	43.0	5.37	48.2	6.14	53.5	6.69
	20	27.2	3.33	32.4	4.01	37.6	4.74	40.3	5.10	43.0	5.48	48.2	6.37	53.5	7.16
	21	27.2	3.35	32.4	4.06	37.6	4.78	40.3	5.16	43.0	5.61	48.2	6.57	53.5	7.42
	23	27.2	3.42	32.4	4.12	37.6	4.99	40.3	5.48	43.0	5.99	48.2	6.94	53.5	7.91
	25	27.2	3.55	32.4	4.40	37.6	5.35	40.3	5.86	43.0	6.41	48.2	7.42	53.5	8.25
	27	27.2	3.76	32.4	4.67	37.6	5.71	40.3	6.26	43.0	6.84	48.2	7.89	53.5	8.64
	29	27.2	3.99	32.4	4.99	37.6	6.07	40.3	6.67	43.0	7.30	48.2	8.45	53.5	8.98
	31	27.2	4.25	32.4	5.29	37.6	6.48	40.3	7.11	43.0	7.77	48.2	8.97	53.5	9.33
	33	27.2	4.50	32.4	5.65	37.6	6.90	40.3	7.58	43.0	8.28	48.2	9.45	53.5	9.68
	35	27.2	4.78	32.4	5.99	37.6	7.35	40.3	8.07	43.0	8.83	48.2	9.95	52.9	10.03
	37	27.2	5.05	32.4	6.37	37.6	7.79	40.3	8.58	43.0	9.39	48.2	10.11	52.0	10.20
39	27.2	5.34	32.4	6.73	37.6	8.25	40.3	9.04	43.0	9.99	48.2	10.27	51.2	10.36	
70	10	23.8	2.75	28.4	3.27	32.9	3.79	35.3	4.09	37.6	4.37	42.1	4.98	46.8	5.57
	12	23.8	2.79	28.4	3.31	32.9	3.87	35.3	4.15	37.6	4.46	42.1	5.06	46.8	5.67
	14	23.8	2.83	28.4	3.35	32.9	3.94	35.3	4.22	37.6	4.52	42.1	5.17	46.8	5.77
	16	23.8	2.88	28.4	3.42	32.9	4.00	35.3	4.31	37.6	4.61	42.1	5.26	46.8	5.90
	18	23.8	2.92	28.4	3.48	32.9	4.09	35.3	4.39	37.6	4.70	42.1	5.34	46.8	6.00
	20	23.8	2.96	28.4	3.55	32.9	4.15	35.3	4.48	37.6	4.80	42.1	5.47	46.8	6.23
	21	23.8	3.01	28.4	3.57	32.9	4.20	35.3	4.52	37.6	4.85	42.1	5.56	46.8	6.43
	23	23.8	3.05	28.4	3.66	32.9	4.28	35.3	4.67	37.6	5.08	42.1	5.95	46.8	6.79
	25	23.8	3.09	28.4	3.79	32.9	4.57	35.3	5.00	37.6	5.43	42.1	6.36	46.8	7.26
	27	23.8	3.27	28.4	4.05	32.9	4.87	35.3	5.30	37.6	5.80	42.1	6.79	46.8	7.72
	29	23.8	3.48	28.4	4.28	32.9	5.17	35.3	5.65	37.6	6.17	42.1	7.25	46.8	8.27
	31	23.8	3.70	28.4	4.57	32.9	5.52	35.3	6.04	37.6	6.58	42.1	7.72	46.8	8.77
	33	23.8	3.92	28.4	4.82	32.9	5.86	35.3	6.40	37.6	6.99	42.1	8.22	46.8	9.25
	35	23.8	4.13	28.4	5.15	32.9	6.23	35.3	6.82	37.6	7.44	42.1	8.76	46.8	9.80
	37	23.8	4.39	28.4	5.45	32.9	6.62	35.3	7.25	37.6	7.92	42.1	9.33	46.8	10.20
39	23.8	4.62	28.4	5.76	32.9	7.01	35.3	7.65	37.6	8.39	42.1	9.88	46.8	10.36	
60	10	20.3	2.42	24.3	2.84	28.3	3.31	30.2	3.55	32.2	3.77	36.2	4.28	40.1	4.78
	12	20.3	2.47	24.3	2.89	28.3	3.35	30.2	3.59	32.2	3.83	36.2	4.34	40.1	4.87
	14	20.3	2.49	24.3	2.93	28.3	3.42	30.2	3.66	32.2	3.90	36.2	4.43	40.1	4.96
	16	20.3	2.53	24.3	3.00	28.3	3.46	30.2	3.72	32.2	3.99	36.2	4.52	40.1	5.05
	18	20.3	2.58	24.3	3.04	28.3	3.53	30.2	3.79	32.2	4.06	36.2	4.58	40.1	5.16
	20	20.3	2.62	24.3	3.09	28.3	3.59	30.2	3.86	32.2	4.12	36.2	4.67	40.1	5.27
	21	20.3	2.64	24.3	3.11	28.3	3.64	30.2	3.90	32.2	4.17	36.2	4.74	40.1	5.31
	23	20.3	2.69	24.3	3.17	28.3	3.68	30.2	3.97	32.2	4.25	36.2	4.91	40.1	5.64
	25	20.3	2.73	24.3	3.24	28.3	3.83	30.2	4.17	32.2	4.52	36.2	5.25	40.1	6.04
	27	20.3	2.82	24.3	3.42	28.3	4.08	30.2	4.43	32.2	4.80	36.2	5.58	40.1	6.44
	29	20.3	3.00	24.3	3.64	28.3	4.34	30.2	4.72	32.2	5.11	36.2	5.95	40.1	6.88
	31	20.3	3.17	24.3	3.86	28.3	4.61	30.2	5.02	32.2	5.44	36.2	6.35	40.1	7.32
	33	20.3	3.35	24.3	4.08	28.3	4.89	30.2	5.33	32.2	5.80	36.2	6.74	40.1	7.80
	35	20.3	3.55	24.3	4.34	28.3	5.20	30.2	5.66	32.2	6.15	36.2	7.18	40.1	8.29
	37	20.3	3.75	24.3	4.58	28.3	5.51	30.2	6.02	32.2	6.52	36.2	7.63	40.1	8.82
39	20.3	3.95	24.3	4.83	28.3	5.83	30.2	6.39	32.2	6.88	36.2	8.10	40.1	9.35	

Notes:
 1. TC: Total Capacity(kW) PI : Power Input(kW)(Comp. + Outdoor fan motor)
 2. Capacity tables show the average value of conditions which may occur.

7. Capacity Tables

Cooling Capacity(18HP)

Combination (%)	Outdoor air temp °C DB	Indoor air temp. (DB/WB, °C)													
		20		23		26		27		28		30		32	
		14		16		18		19		20		22		24	
		TC	PI	TC	PI	TC	PI	TC	PI	TC	PI	TC	PI	TC	PI
50	10	17.0	2.13	20.3	2.47	23.6	2.81	25.2	3.01	26.8	3.19	30.1	3.59	33.5	3.99
	12	17.0	2.15	20.3	2.49	23.6	2.85	25.2	3.05	26.8	3.25	30.1	3.66	33.5	4.06
	14	17.0	2.18	20.3	2.54	23.6	2.90	25.2	3.10	26.8	3.30	30.1	3.70	33.5	4.13
	16	17.0	2.22	20.3	2.58	23.6	2.94	25.2	3.16	26.8	3.34	30.1	3.77	33.5	4.20
	18	17.0	2.24	20.3	2.60	23.6	2.98	25.2	3.21	26.8	3.41	30.1	3.84	33.5	4.29
	20	17.0	2.27	20.3	2.65	23.6	3.05	25.2	3.25	26.8	3.48	30.1	3.90	33.5	4.38
	21	17.0	2.29	20.3	2.67	23.6	3.07	25.2	3.30	26.8	3.50	30.1	3.95	33.5	4.42
	23	17.0	2.33	20.3	2.72	23.6	3.12	25.2	3.34	26.8	3.57	30.1	4.02	33.5	4.51
	25	17.0	2.36	20.3	2.76	23.6	3.19	25.2	3.41	26.8	3.68	30.1	4.22	33.5	4.83
	27	17.0	2.40	20.3	2.85	23.6	3.37	25.2	3.64	26.8	3.90	30.1	4.51	33.5	5.14
	29	17.0	2.54	20.3	3.03	23.6	3.57	25.2	3.86	26.8	4.15	30.1	4.78	33.5	5.45
	31	17.0	2.67	20.3	3.21	23.6	3.79	25.2	4.08	26.8	4.42	30.1	5.09	33.5	5.81
	33	17.0	2.83	20.3	3.39	23.6	4.02	25.2	4.33	26.8	4.69	30.1	5.41	33.5	6.19
	35	17.0	2.98	20.3	3.59	23.6	4.24	25.2	4.60	26.8	4.96	30.1	5.72	33.5	6.58
	37	17.0	3.16	20.3	3.79	23.6	4.49	25.2	4.87	26.8	5.25	30.1	6.10	33.5	6.98
	39	17.0	3.31	20.3	3.99	23.6	4.76	25.2	5.14	26.8	5.52	30.1	6.44	33.5	7.39

Notes:

1. TC: Total Capacity(kW) PI : Power Input(kW)(Comp. + Outdoor fan motor)
2. Capacity tables show the average value of conditions which may occur.

7. Capacity Tables

ARUB200LTE4

Cooling Capacity(20HP)

Combination (%)	Outdoor air temp °C DB	Indoor air temp. (DB/WB, °C)													
		20		23		26		27		28		30		32	
		14		16		18		19		20		22		24	
		TC	PI	TC	PI	TC	PI	TC	PI	TC	PI	TC	PI	TC	PI
130	10	51.2	4.90	61.0	5.98	70.8	6.94	73.5	7.08	74.3	7.16	76.2	7.19	78.1	7.24
	12	51.2	5.02	61.0	6.20	70.8	7.23	72.4	7.27	73.7	7.41	75.1	7.49	77.0	7.52
	14	51.2	5.18	61.0	6.42	70.6	7.50	71.6	7.55	72.4	7.68	74.3	7.75	76.2	7.81
	16	51.2	5.37	61.0	6.65	69.7	7.83	70.6	7.91	71.4	7.96	73.3	8.04	75.1	8.11
	18	51.2	5.60	61.0	7.03	68.7	8.26	69.5	8.32	70.6	8.37	72.4	8.41	74.3	8.46
	20	51.2	5.85	61.0	7.49	67.6	8.65	68.8	8.73	69.5	8.78	71.4	8.82	73.3	8.88
	21	51.2	6.00	61.0	7.75	67.2	8.85	68.3	8.94	69.1	8.98	71.0	9.03	72.9	9.08
	23	51.2	6.44	61.0	8.32	66.4	9.23	67.2	9.32	68.2	9.39	69.9	9.44	71.8	9.50
	25	51.2	6.88	61.0	8.89	65.4	9.64	66.4	9.73	67.2	9.80	69.1	9.85	71.0	9.91
	27	51.2	7.36	61.0	9.50	64.5	10.06	65.4	10.13	66.4	10.21	68.2	10.26	69.9	10.32
	29	51.2	7.84	61.0	10.16	63.5	10.47	64.4	10.54	65.4	10.62	67.2	10.67	69.1	10.73
	31	51.2	8.36	60.8	10.70	62.4	10.89	63.5	10.96	64.4	11.02	66.2	11.08	68.1	11.15
	33	51.2	8.91	59.7	11.11	61.6	11.30	62.6	11.38	63.5	11.43	65.4	11.49	67.0	11.56
	35	51.2	9.50	58.7	11.52	60.6	11.72	61.6	11.79	62.6	11.84	64.3	11.90	66.2	11.97
	37	51.2	9.84	57.9	11.74	59.7	11.95	60.6	12.04	61.6	12.09	63.3	12.13	65.2	12.22
	39	51.2	10.17	56.8	11.97	58.7	12.19	59.7	12.28	60.6	12.32	62.4	12.36	64.3	12.45
120	10	47.4	4.40	56.3	5.40	65.5	6.42	70.1	6.93	73.4	7.04	75.1	7.07	76.8	7.10
	12	47.4	4.52	56.3	5.58	65.5	6.67	70.1	7.08	72.4	7.30	74.0	7.39	75.7	7.42
	14	47.4	4.68	56.3	5.77	65.5	6.94	70.1	7.35	71.3	7.57	73.2	7.68	74.9	7.75
	16	47.4	4.85	56.3	6.01	65.5	7.21	69.7	7.74	70.5	7.92	72.2	7.96	73.8	8.04
	18	47.4	5.04	56.3	6.28	65.5	7.65	68.6	8.18	69.5	8.33	71.1	8.36	73.0	8.40
	20	47.4	5.23	56.3	6.66	65.5	8.15	67.8	8.65	68.6	8.74	70.3	8.77	72.0	8.81
	21	47.4	5.39	56.3	6.90	65.5	8.44	67.2	8.85	68.0	8.94	69.9	8.97	71.5	9.01
	23	47.4	5.76	56.3	7.38	65.5	9.00	66.3	9.24	67.2	9.35	68.8	9.38	70.5	9.42
	25	47.4	6.15	56.3	7.91	64.5	9.49	65.3	9.66	66.1	9.75	68.0	9.79	69.7	9.83
	27	47.4	6.57	56.3	8.45	63.6	9.97	64.5	10.05	65.3	10.16	67.0	10.20	68.6	10.24
	29	47.4	7.01	56.3	9.02	62.6	10.39	63.4	10.47	64.2	10.56	65.9	10.61	67.8	10.65
	31	47.4	7.47	56.3	9.63	61.5	10.82	62.6	10.86	63.4	10.97	65.1	11.01	66.7	11.06
	33	47.4	7.95	56.3	10.27	60.7	11.21	61.5	11.28	62.4	11.38	64.0	11.42	65.7	11.47
	35	47.4	8.45	56.3	10.95	59.7	11.65	60.5	11.69	61.5	11.78	63.2	11.83	64.9	11.88
	37	47.4	8.83	56.3	11.22	58.8	11.85	59.7	11.92	60.5	11.97	62.2	12.04	63.8	12.08
	39	47.4	9.20	56.1	11.48	57.8	12.05	58.6	12.14	59.4	12.17	61.3	12.25	63.0	12.28
110	10	43.3	3.96	51.7	4.83	60.0	5.73	64.2	6.21	68.3	6.68	73.5	6.95	75.2	6.98
	12	43.3	4.09	51.7	4.99	60.0	5.97	64.2	6.38	68.3	6.93	72.7	7.22	74.2	7.32
	14	43.3	4.21	51.7	5.22	60.0	6.24	64.2	6.70	68.3	7.28	71.7	7.49	73.3	7.65
	16	43.3	4.36	51.7	5.41	60.0	6.50	64.2	6.99	68.3	7.72	70.8	7.91	72.3	7.96
	18	43.3	4.52	51.7	5.63	60.0	6.88	64.2	7.45	68.3	8.18	69.8	8.31	71.5	8.35
	20	43.3	4.69	51.7	5.91	60.0	7.29	64.2	7.94	67.3	8.63	69.0	8.72	70.4	8.75
	21	43.3	4.79	51.7	6.09	60.0	7.55	64.2	8.23	66.9	8.82	68.3	8.92	70.0	8.96
	23	43.3	5.10	51.7	6.53	60.0	8.10	64.2	8.73	65.8	9.24	67.5	9.33	69.0	9.36
	25	43.3	5.45	51.7	6.96	60.0	8.67	64.2	9.24	65.0	9.63	66.5	9.73	68.1	9.77
	27	43.3	5.82	51.7	7.45	60.0	9.28	63.1	9.75	64.0	10.09	65.6	10.14	67.1	10.18
	29	43.3	6.22	51.7	7.95	60.0	9.90	62.3	10.17	63.1	10.49	64.6	10.54	66.2	10.58
	31	43.3	6.61	51.7	8.47	60.0	10.58	61.2	10.62	62.1	10.90	63.7	10.95	65.2	10.99
	33	43.3	7.05	51.7	9.02	59.6	11.17	60.4	11.10	61.2	11.31	62.7	11.35	64.4	11.40
	35	43.3	7.49	51.7	9.63	58.5	11.56	59.4	11.61	60.2	11.71	61.7	11.76	63.3	11.81
	37	43.3	7.78	51.7	9.93	57.7	11.77	58.5	11.78	59.2	11.89	60.8	11.96	62.3	11.99
	39	43.3	8.08	51.7	10.22	56.7	11.95	57.5	11.98	58.3	12.07	59.8	12.14	61.5	12.17
100	10	37.8	3.96	45.0	4.81	52.4	5.71	56.0	6.17	59.6	6.63	67.0	7.38	73.6	7.44
	12	37.8	4.09	45.0	5.01	52.4	5.90	56.0	6.34	59.6	6.84	67.0	7.78	72.6	7.85
	14	37.8	4.21	45.0	5.21	52.4	6.15	56.0	6.61	59.6	7.14	67.0	8.21	71.8	8.29
	16	37.8	4.34	45.0	5.38	52.4	6.41	56.0	6.92	59.6	7.52	67.0	8.61	70.8	8.73
	18	37.8	4.47	45.0	5.58	52.4	6.66	56.0	7.26	59.6	7.97	67.0	9.09	69.8	9.17
	20	37.8	4.63	45.0	5.79	52.4	7.05	56.0	7.78	59.6	8.53	67.0	9.53	68.8	9.61
	21	37.8	4.73	45.0	5.93	52.4	7.29	56.0	8.05	59.6	8.85	67.0	9.75	68.4	9.82
	23	37.8	5.01	45.0	6.34	52.4	7.83	56.0	8.63	59.6	9.48	66.1	10.21	67.5	10.29
	25	37.8	5.32	45.0	6.76	52.4	8.36	56.0	9.24	59.6	10.14	65.1	10.64	66.4	10.73
	27	37.8	5.69	45.0	7.22	52.4	8.95	56.0	9.87	59.6	10.78	64.1	11.14	65.6	11.23
	29	37.8	6.05	45.0	7.71	52.4	9.55	56.0	10.55	59.6	11.41	63.2	11.59	64.6	11.68
	31	37.8	6.47	45.0	8.22	52.4	10.18	56.0	11.25	59.6	11.99	62.2	12.04	63.6	12.14
	33	37.8	6.85	45.0	8.75	52.4	10.87	56.0	12.01	59.6	12.44	61.3	12.49	62.6	12.59
	35	37.8	7.29	45.0	9.31	52.4	11.57	56.0	12.81	58.7	12.89	60.3	12.94	61.6	13.04
	37	37.8	7.58	45.0	9.69	52.4	11.90	56.0	13.03	57.7	13.09	59.4	13.15	60.8	13.27
	39	37.8	7.87	45.0	10.08	52.4	12.21	56.0	13.24	56.8	13.30	58.4	13.35	59.8	13.47

Notes:
 1. TC: Total Capacity(kW) PI : Power Input(kW)(Comp. + Outdoor fan motor)
 2. Capacity tables show the average value of conditions which may occur.

7. Capacity Tables

Cooling Capacity(20HP)

Combination (%)	Outdoor air temp °C DB	Indoor air temp. (DB/WB, °C)													
		20		23		26		27		28		30		32	
		14		16		18		19		20		22		24	
		TC	PI	TC	PI	TC	PI	TC	PI	TC	PI	TC	PI	TC	PI
90	10	34.0	3.57	40.6	4.34	47.2	5.14	50.4	5.56	53.6	5.97	60.2	6.65	66.8	6.70
	12	34.0	3.68	40.6	4.51	47.2	5.32	50.4	5.71	53.6	6.16	60.2	7.00	66.8	7.07
	14	34.0	3.80	40.6	4.69	47.2	5.54	50.4	5.95	53.6	6.43	60.2	7.40	66.8	7.47
	16	34.0	3.91	40.6	4.85	47.2	5.78	50.4	6.24	53.6	6.77	60.2	7.61	66.8	7.86
	18	34.0	4.03	40.6	5.03	47.2	5.97	50.4	6.47	53.6	6.95	60.2	7.78	66.8	8.26
	20	34.0	4.17	40.6	5.15	47.2	6.09	50.4	6.59	53.6	7.21	60.2	8.33	66.8	8.65
	21	34.0	4.26	40.6	5.20	47.2	6.21	50.4	6.81	53.6	7.48	60.2	8.63	66.8	8.85
	23	34.0	4.38	40.6	5.42	47.2	6.64	50.4	7.31	53.6	8.00	60.2	9.19	65.9	9.27
	25	34.0	4.60	40.6	5.77	47.2	7.09	50.4	7.81	53.6	8.55	60.2	9.59	64.9	9.66
	27	34.0	4.91	40.6	6.16	47.2	7.57	50.4	8.34	53.6	9.15	60.2	10.04	64.0	10.12
	29	34.0	5.20	40.6	6.57	47.2	8.10	50.4	8.91	53.6	9.78	60.2	10.44	63.0	10.53
	31	34.0	5.54	40.6	7.00	47.2	8.63	50.4	9.49	53.6	10.42	60.2	10.85	62.1	10.93
	33	34.0	5.89	40.6	7.45	47.2	9.20	50.4	10.11	53.6	11.06	60.2	11.25	61.1	11.34
	35	34.0	6.25	40.6	7.91	47.2	9.78	50.4	10.78	53.6	11.61	59.2	11.65	60.2	11.75
	37	34.0	6.64	40.6	8.41	47.2	10.42	50.4	11.45	53.6	11.80	58.2	11.84	59.2	11.95
	39	34.0	7.03	40.6	8.95	47.2	11.00	50.4	11.93	53.6	11.98	57.3	12.03	58.3	12.14
80	10	30.2	3.57	36.0	4.34	41.8	5.14	44.8	5.56	47.8	5.97	53.6	6.65	59.4	6.70
	12	30.2	3.68	36.0	4.47	41.8	5.28	44.8	5.69	47.8	6.10	53.6	6.97	59.4	7.07
	14	30.2	3.80	36.0	4.57	41.8	5.36	44.8	5.79	47.8	6.20	53.6	7.10	59.4	7.47
	16	30.2	3.85	36.0	4.65	41.8	5.46	44.8	5.90	47.8	6.33	53.6	7.25	59.4	7.86
	18	30.2	3.93	36.0	4.72	41.8	5.57	44.8	6.00	47.8	6.46	53.6	7.38	59.4	8.04
	20	30.2	4.01	36.0	4.82	41.8	5.69	44.8	6.13	47.8	6.59	53.6	7.66	59.4	8.60
	21	30.2	4.03	36.0	4.88	41.8	5.74	44.8	6.20	47.8	6.74	53.6	7.90	59.4	8.85
	23	30.2	4.11	36.0	4.95	41.8	6.00	44.8	6.59	47.8	7.20	53.6	8.34	59.4	9.27
	25	30.2	4.26	36.0	5.28	41.8	6.43	44.8	7.05	47.8	7.71	53.6	8.93	59.4	9.66
	27	30.2	4.52	36.0	5.62	41.8	6.87	44.8	7.53	47.8	8.22	53.6	9.49	59.4	10.12
	29	30.2	4.80	36.0	6.00	41.8	7.30	44.8	8.02	47.8	8.78	53.6	10.16	59.4	10.53
	31	30.2	5.11	36.0	6.36	41.8	7.79	44.8	8.55	47.8	9.34	53.6	10.78	59.4	10.93
	33	30.2	5.41	36.0	6.79	41.8	8.30	44.8	9.11	47.8	9.96	53.6	11.25	59.4	11.34
	35	30.2	5.74	36.0	7.20	41.8	8.83	44.8	9.70	47.8	10.62	53.6	11.65	58.8	11.75
	37	30.2	6.08	36.0	7.65	41.8	9.37	44.8	10.31	47.8	11.28	53.6	11.84	57.8	11.95
	39	30.2	6.42	36.0	8.09	41.8	9.92	44.8	10.87	47.8	11.98	53.6	12.03	56.9	12.14
70	10	26.4	3.28	31.6	3.90	36.6	4.52	39.2	4.88	41.8	5.22	46.8	5.94	52.0	6.65
	12	26.4	3.33	31.6	3.95	36.6	4.62	39.2	4.96	41.8	5.32	46.8	6.05	52.0	6.77
	14	26.4	3.38	31.6	4.00	36.6	4.70	39.2	5.04	41.8	5.40	46.8	6.17	52.0	6.89
	16	26.4	3.44	31.6	4.08	36.6	4.78	39.2	5.14	41.8	5.50	46.8	6.28	52.0	7.04
	18	26.4	3.49	31.6	4.16	36.6	4.88	39.2	5.24	41.8	5.61	46.8	6.38	52.0	7.17
	20	26.4	3.54	31.6	4.24	36.6	4.96	39.2	5.35	41.8	5.74	46.8	6.54	52.0	7.44
	21	26.4	3.59	31.6	4.26	36.6	5.01	39.2	5.40	41.8	5.79	46.8	6.64	52.0	7.68
	23	26.4	3.64	31.6	4.37	36.6	5.12	39.2	5.58	41.8	6.07	46.8	7.10	52.0	8.10
	25	26.4	3.69	31.6	4.52	36.6	5.45	39.2	5.97	41.8	6.48	46.8	7.60	52.0	8.67
	27	26.4	3.90	31.6	4.83	36.6	5.81	39.2	6.33	41.8	6.92	46.8	8.11	52.0	9.22
	29	26.4	4.16	31.6	5.12	36.6	6.17	39.2	6.74	41.8	7.36	46.8	8.65	52.0	9.87
	31	26.4	4.42	31.6	5.45	36.6	6.59	39.2	7.21	41.8	7.85	46.8	9.22	52.0	10.48
	33	26.4	4.68	31.6	5.76	36.6	7.00	39.2	7.65	41.8	8.34	46.8	9.82	52.0	11.04
	35	26.4	4.93	31.6	6.15	36.6	7.44	39.2	8.14	41.8	8.89	46.8	10.46	52.0	11.71
	37	26.4	5.24	31.6	6.51	36.6	7.91	39.2	8.65	41.8	9.46	46.8	11.13	52.0	11.95
	39	26.4	5.51	31.6	6.88	36.6	8.37	39.2	9.13	41.8	10.01	46.8	11.80	52.0	12.14
60	10	22.6	2.88	27.0	3.37	31.4	3.92	33.6	4.21	35.8	4.47	40.2	5.07	44.6	5.67
	12	22.6	2.93	27.0	3.42	31.4	3.97	33.6	4.26	35.8	4.55	40.2	5.15	44.6	5.78
	14	22.6	2.95	27.0	3.48	31.4	4.05	33.6	4.34	35.8	4.63	40.2	5.25	44.6	5.88
	16	22.6	3.01	27.0	3.55	31.4	4.10	33.6	4.42	35.8	4.73	40.2	5.36	44.6	5.99
	18	22.6	3.06	27.0	3.61	31.4	4.18	33.6	4.50	35.8	4.81	40.2	5.44	44.6	6.12
	20	22.6	3.11	27.0	3.66	31.4	4.26	33.6	4.57	35.8	4.89	40.2	5.54	44.6	6.25
	21	22.6	3.14	27.0	3.69	31.4	4.31	33.6	4.63	35.8	4.94	40.2	5.62	44.6	6.30
	23	22.6	3.19	27.0	3.76	31.4	4.37	33.6	4.71	35.8	5.04	40.2	5.83	44.6	6.69
	25	22.6	3.24	27.0	3.84	31.4	4.55	33.6	4.94	35.8	5.36	40.2	6.22	44.6	7.16
	27	22.6	3.35	27.0	4.05	31.4	4.84	33.6	5.25	35.8	5.70	40.2	6.61	44.6	7.63
	29	22.6	3.55	27.0	4.31	31.4	5.15	33.6	5.59	35.8	6.06	40.2	7.06	44.6	8.16
	31	22.6	3.76	27.0	4.57	31.4	5.46	33.6	5.96	35.8	6.46	40.2	7.53	44.6	8.68
	33	22.6	3.97	27.0	4.84	31.4	5.80	33.6	6.33	35.8	6.87	40.2	8.00	44.6	9.25
	35	22.6	4.21	27.0	5.15	31.4	6.17	33.6	6.72	35.8	7.29	40.2	8.52	44.6	9.83
	37	22.6	4.44	27.0	5.43	31.4	6.53	33.6	7.14	35.8	7.74	40.2	9.04	44.6	10.46
	39	22.6	4.68	27.0	5.73	31.4	6.92	33.6	7.58	35.8	8.16	40.2	9.60	44.6	11.09

Notes:

1. TC: Total Capacity(kW) PI : Power Input(kW)(Comp. + Outdoor fan motor)
2. Capacity tables show the average value of conditions which may occur.

7. Capacity Tables

Cooling Capacity(20HP)

Combination (%)	Outdoor air temp °C DB	Indoor air temp. (DB/WB, °C)													
		20		23		26		27		28		30		32	
		14		16		18		19		20		22		24	
		TC	PI	TC	PI	TC	PI	TC	PI	TC	PI	TC	PI	TC	PI
50	10	18.9	2.51	22.6	2.91	26.2	3.31	28.0	3.54	29.8	3.76	33.4	4.23	37.2	4.71
	12	18.9	2.54	22.6	2.94	26.2	3.36	28.0	3.60	29.8	3.83	33.4	4.31	37.2	4.79
	14	18.9	2.57	22.6	2.99	26.2	3.41	28.0	3.65	29.8	3.89	33.4	4.36	37.2	4.87
	16	18.9	2.62	22.6	3.04	26.2	3.46	28.0	3.73	29.8	3.94	33.4	4.44	37.2	4.95
	18	18.9	2.64	22.6	3.07	26.2	3.52	28.0	3.78	29.8	4.02	33.4	4.52	37.2	5.05
	20	18.9	2.67	22.6	3.12	26.2	3.60	28.0	3.83	29.8	4.10	33.4	4.60	37.2	5.16
	21	18.9	2.70	22.6	3.15	26.2	3.62	28.0	3.89	29.8	4.13	33.4	4.65	37.2	5.21
	23	18.9	2.75	22.6	3.20	26.2	3.68	28.0	3.94	29.8	4.20	33.4	4.73	37.2	5.32
	25	18.9	2.78	22.6	3.25	26.2	3.76	28.0	4.02	29.8	4.34	33.4	4.97	37.2	5.69
	27	18.9	2.83	22.6	3.36	26.2	3.97	28.0	4.28	29.8	4.60	33.4	5.32	37.2	6.06
	29	18.9	2.99	22.6	3.57	26.2	4.20	28.0	4.55	29.8	4.89	33.4	5.63	37.2	6.43
	31	18.9	3.15	22.6	3.78	26.2	4.47	28.0	4.81	29.8	5.21	33.4	6.00	37.2	6.85
	33	18.9	3.33	22.6	3.99	26.2	4.73	28.0	5.10	29.8	5.53	33.4	6.37	37.2	7.30
	35	18.9	3.52	22.6	4.23	26.2	5.00	28.0	5.42	29.8	5.84	33.4	6.74	37.2	7.75
	37	18.9	3.73	22.6	4.47	26.2	5.29	28.0	5.74	29.8	6.19	33.4	7.19	37.2	8.22
39	18.9	3.90	22.6	4.70	26.2	5.61	28.0	6.06	29.8	6.51	33.4	7.59	37.2	8.71	

Notes:

1. TC: Total Capacity(kW) PI : Power Input(kW)(Comp. + Outdoor fan motor)
2. Capacity tables show the average value of conditions which may occur.

7. Capacity Tables

ARUB220LTE4

Cooling Capacity(22HP)

Combination (%)	Outdoor air temp °C DB	Indoor air temp. (DB/WB, °C)													
		20		23		26		27		28		30		32	
		14		16		18		19		20		22		24	
		TC	PI	TC	PI	TC	PI	TC	PI	TC	PI	TC	PI	TC	PI
130	10	56.3	5.19	67.1	6.34	77.9	7.36	80.8	7.50	81.8	7.59	83.8	7.62	85.8	7.67
	12	56.3	5.32	67.1	6.57	77.9	7.66	79.7	7.71	81.0	7.86	82.7	7.93	84.7	7.98
	14	56.3	5.50	67.1	6.80	77.6	7.95	78.8	8.00	79.7	8.14	81.8	8.22	83.8	8.28
	16	56.3	5.70	67.1	7.04	76.7	8.30	77.6	8.38	78.5	8.44	80.6	8.52	82.7	8.59
	18	56.3	5.93	67.1	7.45	75.5	8.75	76.5	8.82	77.6	8.87	79.7	8.91	81.8	8.97
	20	56.3	6.20	67.1	7.94	74.4	9.16	75.7	9.25	76.5	9.30	78.5	9.35	80.6	9.41
	21	56.3	6.36	67.1	8.21	73.9	9.37	75.1	9.47	76.1	9.52	78.1	9.57	80.1	9.62
	23	56.3	6.82	67.1	8.82	73.0	9.78	73.9	9.87	75.0	9.95	77.0	10.00	79.0	10.07
	25	56.3	7.29	67.1	9.42	71.9	10.21	73.1	10.32	73.9	10.39	76.1	10.44	78.1	10.50
	27	56.3	7.80	67.1	10.07	71.0	10.66	71.9	10.73	73.1	10.82	75.0	10.87	77.0	10.94
	29	56.3	8.30	67.1	10.77	69.8	11.10	70.8	11.18	71.9	11.25	73.9	11.30	76.1	11.37
	31	56.3	8.87	66.9	11.34	68.7	11.54	69.8	11.62	70.8	11.68	72.8	11.75	74.8	11.82
	33	56.3	9.44	65.7	11.78	67.8	11.98	68.9	12.05	69.8	12.12	71.9	12.18	73.7	12.25
	35	56.3	10.07	64.5	12.21	66.6	12.42	67.8	12.50	68.9	12.55	70.8	12.61	72.8	12.69
	37	56.3	10.43	63.6	12.44	65.7	12.66	66.6	12.77	67.8	12.82	69.6	12.85	71.7	12.95
	39	56.3	10.78	62.5	12.68	64.5	12.91	65.7	13.01	66.6	13.05	68.7	13.10	70.8	13.19
120	10	52.1	4.66	62.0	5.73	72.0	6.80	77.0	7.35	80.7	7.46	82.5	7.50	84.5	7.52
	12	52.1	4.79	62.0	5.91	72.0	7.07	77.0	7.50	79.6	7.75	81.4	7.84	83.3	7.87
	14	52.1	4.96	62.0	6.12	72.0	7.36	77.0	7.79	78.5	8.03	80.5	8.14	82.3	8.21
	16	52.1	5.14	62.0	6.37	72.0	7.64	76.6	8.20	77.6	8.39	79.4	8.43	81.2	8.53
	18	52.1	5.34	62.0	6.66	72.0	8.11	75.5	8.66	76.4	8.82	78.3	8.86	80.3	8.89
	20	52.1	5.54	62.0	7.05	72.0	8.64	74.6	9.16	75.5	9.26	77.3	9.30	79.2	9.34
	21	52.1	5.71	62.0	7.31	72.0	8.94	73.9	9.37	74.8	9.48	76.8	9.51	78.7	9.55
	23	52.1	6.10	62.0	7.82	72.0	9.54	73.0	9.80	73.9	9.91	75.7	9.94	77.6	9.98
	25	52.1	6.52	62.0	8.38	70.9	10.05	71.8	10.23	72.8	10.34	74.8	10.37	76.6	10.41
	27	52.1	6.96	62.0	8.96	70.0	10.57	70.9	10.66	71.8	10.77	73.7	10.80	75.5	10.85
	29	52.1	7.43	62.0	9.57	68.8	11.01	69.7	11.09	70.6	11.19	72.5	11.24	74.6	11.28
	31	52.1	7.91	62.0	10.21	67.7	11.46	68.8	11.51	69.7	11.62	71.5	11.67	73.4	11.72
	33	52.1	8.43	62.0	10.89	66.8	11.89	67.7	11.95	68.6	12.05	70.4	12.10	72.3	12.16
	35	52.1	8.96	62.0	11.60	65.6	12.34	66.5	12.39	67.7	12.48	69.5	12.53	71.3	12.59
	37	52.1	9.36	62.0	11.89	64.7	12.55	65.6	12.64	66.5	12.68	68.4	12.77	70.2	12.80
	39	52.1	9.75	61.8	12.17	63.6	12.77	64.5	12.86	65.4	12.91	67.5	12.98	69.3	13.02
110	10	47.7	4.20	56.8	5.12	66.0	6.07	70.6	6.57	75.2	7.08	80.9	7.37	82.7	7.39
	12	47.7	4.32	56.8	5.29	66.0	6.33	70.6	6.77	75.2	7.34	80.0	7.66	81.6	7.76
	14	47.7	4.46	56.8	5.53	66.0	6.62	70.6	7.10	75.2	7.71	78.8	7.93	80.7	8.10
	16	47.7	4.62	56.8	5.73	66.0	6.89	70.6	7.41	75.2	8.18	77.9	8.38	79.5	8.44
	18	47.7	4.80	56.8	5.97	66.0	7.29	70.6	7.90	75.2	8.66	76.8	8.81	78.6	8.84
	20	47.7	4.96	56.8	6.27	66.0	7.73	70.6	8.41	74.0	9.14	75.9	9.24	77.4	9.28
	21	47.7	5.07	56.8	6.45	66.0	8.00	70.6	8.72	73.5	9.35	75.2	9.46	77.0	9.50
	23	47.7	5.41	56.8	6.91	66.0	8.59	70.6	9.25	72.4	9.80	74.2	9.89	75.9	9.93
	25	47.7	5.78	56.8	7.38	66.0	9.19	70.6	9.80	71.5	10.21	73.1	10.32	75.0	10.36
	27	47.7	6.18	56.8	7.89	66.0	9.84	69.5	10.34	70.4	10.69	72.2	10.75	73.7	10.78
	29	47.7	6.59	56.8	8.43	66.0	10.49	68.5	10.78	69.5	11.12	71.0	11.18	72.8	11.21
	31	47.7	7.01	56.8	8.98	66.0	11.21	67.3	11.25	68.2	11.55	70.1	11.60	71.7	11.64
	33	47.7	7.48	56.8	9.57	65.5	11.84	66.4	11.76	67.3	11.98	69.0	12.03	70.8	12.08
	35	47.7	7.94	56.8	10.21	64.4	12.25	65.3	12.30	66.2	12.41	67.8	12.46	69.7	12.51
	37	47.7	8.25	56.8	10.52	63.5	12.47	64.4	12.48	65.1	12.59	66.9	12.67	68.5	12.71
	39	47.7	8.57	56.8	10.83	62.3	12.67	63.2	12.69	64.2	12.79	65.8	12.87	67.6	12.91
100	10	41.6	4.19	49.5	5.10	57.6	6.05	61.6	6.53	65.6	7.01	73.7	7.81	81.0	7.87
	12	41.6	4.33	49.5	5.30	57.6	6.25	61.6	6.71	65.6	7.24	73.7	8.23	79.9	8.32
	14	41.6	4.46	49.5	5.51	57.6	6.51	61.6	7.00	65.6	7.55	73.7	8.69	79.0	8.77
	16	41.6	4.60	49.5	5.69	57.6	6.79	61.6	7.33	65.6	7.96	73.7	9.11	77.9	9.23
	18	41.6	4.74	49.5	5.91	57.6	7.05	61.6	7.69	65.6	8.44	73.7	9.63	76.8	9.70
	20	41.6	4.90	49.5	6.13	57.6	7.46	61.6	8.23	65.6	9.03	73.7	10.09	75.7	10.16
	21	41.6	5.01	49.5	6.28	57.6	7.71	61.6	8.52	65.6	9.37	73.7	10.32	75.2	10.40
	23	41.6	5.30	49.5	6.71	57.6	8.28	61.6	9.14	65.6	10.04	72.6	10.80	74.3	10.89
	25	41.6	5.64	49.5	7.15	57.6	8.85	61.6	9.78	65.6	10.73	71.7	11.27	73.0	11.36
	27	41.6	6.03	49.5	7.64	57.6	9.47	61.6	10.45	65.6	11.41	70.6	11.79	72.2	11.89
	29	41.6	6.41	49.5	8.16	57.6	10.11	61.6	11.16	65.6	12.07	69.5	12.27	71.1	12.36
	31	41.6	6.85	49.5	8.70	57.6	10.78	61.6	11.91	65.6	12.68	68.4	12.74	70.0	12.85
	33	41.6	7.26	49.5	9.27	57.6	11.50	61.6	12.72	65.6	13.17	67.4	13.22	68.9	13.33
	35	41.6	7.71	49.5	9.86	57.6	12.25	61.6	13.56	64.5	13.65	66.4	13.70	67.8	13.81
	37	41.6	8.03	49.5	10.27	57.6	12.59	61.6	13.79	63.5	13.86	65.3	13.92	66.9	14.04
	39	41.6	8.33	49.5	10.68	57.6	12.93	61.6	14.02	62.5	14.08	64.3	14.13	65.8	14.26

Notes:
 1. TC: Total Capacity(kW) PI : Power Input(kW)(Comp. + Outdoor fan motor)
 2. Capacity tables show the average value of conditions which may occur.

7. Capacity Tables

Cooling Capacity(22HP)

Combination (%)	Outdoor air temp °C DB	Indoor air temp. (DB/WB, °C)													
		20		23		26		27		28		30		32	
		14		16		18		19		20		22		24	
		TC	PI	TC	PI	TC	PI	TC	PI	TC	PI	TC	PI	TC	PI
90	10	37.4	3.78	44.7	4.59	51.9	5.43	55.4	5.86	59.0	6.30	66.2	7.03	73.5	7.10
	12	37.4	3.88	44.7	4.70	51.9	5.55	55.4	5.99	59.0	6.46	66.2	7.22	73.5	7.50
	14	37.4	3.96	44.7	4.79	51.9	5.67	55.4	6.12	59.0	6.59	66.2	7.37	73.5	7.91
	16	37.4	4.04	44.7	4.89	51.9	5.78	55.4	6.23	59.0	6.71	66.2	7.51	73.5	8.29
	18	37.4	4.11	44.7	4.99	51.9	5.89	55.4	6.38	59.0	6.85	66.2	7.67	73.5	8.70
	20	37.4	4.18	44.7	5.08	51.9	6.00	55.4	6.50	59.0	7.11	66.2	8.21	73.5	9.12
	21	37.4	4.23	44.7	5.13	51.9	6.12	55.4	6.71	59.0	7.37	66.2	8.51	73.5	9.33
	23	37.4	4.32	44.7	5.33	51.9	6.54	55.4	7.20	59.0	7.89	66.2	9.11	72.4	9.77
	25	37.4	4.54	44.7	5.69	51.9	6.99	55.4	7.70	59.0	8.43	66.2	9.75	71.5	10.19
	27	37.4	4.84	44.7	6.07	51.9	7.46	55.4	8.21	59.0	9.02	66.2	10.37	70.4	10.67
	29	37.4	5.13	44.7	6.47	51.9	7.98	55.4	8.79	59.0	9.63	66.2	11.03	69.3	11.10
	31	37.4	5.46	44.7	6.90	51.9	8.50	55.4	9.35	59.0	10.28	66.2	11.46	68.2	11.53
	33	37.4	5.81	44.7	7.35	51.9	9.07	55.4	9.97	59.0	10.90	66.2	11.88	67.3	11.95
	35	37.4	6.16	44.7	7.80	51.9	9.63	55.4	10.63	59.0	11.56	65.1	12.31	66.2	12.38
	37	37.4	6.54	44.7	8.29	51.9	10.28	55.4	11.29	59.0	12.19	64.0	12.55	65.1	12.66
	39	37.4	6.93	44.7	8.82	51.9	10.88	55.4	11.90	59.0	12.70	63.0	12.75	64.1	12.87
80	10	33.2	3.66	39.6	4.40	46.0	5.16	49.3	5.57	52.6	5.98	59.0	6.81	65.3	7.10
	12	33.2	3.74	39.6	4.45	46.0	5.27	49.3	5.67	52.6	6.07	59.0	6.94	65.3	7.50
	14	33.2	3.78	39.6	4.55	46.0	5.34	49.3	5.77	52.6	6.18	59.0	7.07	65.3	7.69
	16	33.2	3.84	39.6	4.62	46.0	5.44	49.3	5.87	52.6	6.31	59.0	7.22	65.3	7.84
	18	33.2	3.92	39.6	4.71	46.0	5.54	49.3	5.98	52.6	6.43	59.0	7.35	65.3	8.01
	20	33.2	3.99	39.6	4.80	46.0	5.67	49.3	6.11	52.6	6.56	59.0	7.63	65.3	8.57
	21	33.2	4.01	39.6	4.86	46.0	5.72	49.3	6.18	52.6	6.72	59.0	7.87	65.3	8.89
	23	33.2	4.10	39.6	4.93	46.0	5.98	49.3	6.56	52.6	7.17	59.0	8.31	65.3	9.53
	25	33.2	4.25	39.6	5.27	46.0	6.41	49.3	7.02	52.6	7.68	59.0	8.89	65.3	10.18
	27	33.2	4.50	39.6	5.59	46.0	6.84	49.3	7.50	52.6	8.19	59.0	9.44	65.3	10.67
	29	33.2	4.78	39.6	5.98	46.0	7.27	49.3	7.99	52.6	8.74	59.0	10.12	65.3	11.10
	31	33.2	5.09	39.6	6.33	46.0	7.76	49.3	8.51	52.6	9.30	59.0	10.75	65.3	11.53
	33	33.2	5.39	39.6	6.77	46.0	8.26	49.3	9.08	52.6	9.92	59.0	11.32	65.3	11.95
	35	33.2	5.72	39.6	7.17	46.0	8.80	49.3	9.66	52.6	10.57	59.0	12.00	64.7	12.38
	37	33.2	6.05	39.6	7.63	46.0	9.33	49.3	10.27	52.6	11.23	59.0	12.55	63.6	12.66
	39	33.2	6.40	39.6	8.06	46.0	9.89	49.3	10.82	52.6	11.95	59.0	12.75	62.5	12.87
70	10	29.0	3.30	34.8	3.92	40.3	4.55	43.1	4.92	46.0	5.24	51.5	5.97	57.2	6.69
	12	29.0	3.35	34.8	3.98	40.3	4.65	43.1	4.99	46.0	5.35	51.5	6.08	57.2	6.81
	14	29.0	3.40	34.8	4.03	40.3	4.73	43.1	5.07	46.0	5.43	51.5	6.21	57.2	6.94
	16	29.0	3.46	34.8	4.10	40.3	4.81	43.1	5.17	46.0	5.54	51.5	6.31	57.2	7.08
	18	29.0	3.51	34.8	4.19	40.3	4.92	43.1	5.28	46.0	5.64	51.5	6.42	57.2	7.21
	20	29.0	3.56	34.8	4.26	40.3	4.99	43.1	5.38	46.0	5.77	51.5	6.58	57.2	7.49
	21	29.0	3.62	34.8	4.29	40.3	5.04	43.1	5.43	46.0	5.83	51.5	6.68	57.2	7.72
	23	29.0	3.67	34.8	4.39	40.3	5.15	43.1	5.61	46.0	6.11	51.5	7.15	57.2	8.15
	25	29.0	3.71	34.8	4.55	40.3	5.49	43.1	6.01	46.0	6.52	51.5	7.64	57.2	8.72
	27	29.0	3.92	34.8	4.86	40.3	5.85	43.1	6.37	46.0	6.97	51.5	8.16	57.2	9.27
	29	29.0	4.19	34.8	5.15	40.3	6.21	43.1	6.79	46.0	7.40	51.5	8.70	57.2	9.93
	31	29.0	4.44	34.8	5.49	40.3	6.63	43.1	7.25	46.0	7.90	51.5	9.27	57.2	10.54
	33	29.0	4.71	34.8	5.79	40.3	7.04	43.1	7.70	46.0	8.40	51.5	9.88	57.2	11.11
	35	29.0	4.96	34.8	6.19	40.3	7.49	43.1	8.18	46.0	8.95	51.5	10.52	57.2	11.78
	37	29.0	5.28	34.8	6.56	40.3	7.95	43.1	8.70	46.0	9.52	51.5	11.20	57.2	12.43
	39	29.0	5.55	34.8	6.92	40.3	8.42	43.1	9.18	46.0	10.07	51.5	11.87	57.2	12.87
60	10	24.9	2.92	29.7	3.42	34.5	3.98	37.0	4.28	39.4	4.54	44.2	5.15	49.1	5.76
	12	24.9	2.98	29.7	3.48	34.5	4.03	37.0	4.33	39.4	4.62	44.2	5.23	49.1	5.87
	14	24.9	3.00	29.7	3.53	34.5	4.12	37.0	4.40	39.4	4.70	44.2	5.34	49.1	5.98
	16	24.9	3.05	29.7	3.62	34.5	4.17	37.0	4.49	39.4	4.81	44.2	5.45	49.1	6.08
	18	24.9	3.11	29.7	3.67	34.5	4.24	37.0	4.56	39.4	4.88	44.2	5.52	49.1	6.21
	20	24.9	3.16	29.7	3.72	34.5	4.33	37.0	4.65	39.4	4.97	44.2	5.63	49.1	6.35
	21	24.9	3.19	29.7	3.74	34.5	4.38	37.0	4.70	39.4	5.02	44.2	5.71	49.1	6.40
	23	24.9	3.24	29.7	3.82	34.5	4.44	37.0	4.78	39.4	5.13	44.2	5.92	49.1	6.80
	25	24.9	3.30	29.7	3.90	34.5	4.62	37.0	5.02	39.4	5.45	44.2	6.32	49.1	7.28
	27	24.9	3.40	29.7	4.12	34.5	4.91	37.0	5.34	39.4	5.79	44.2	6.72	49.1	7.75
	29	24.9	3.62	29.7	4.38	34.5	5.23	37.0	5.68	39.4	6.16	44.2	7.17	49.1	8.29
	31	24.9	3.82	29.7	4.65	34.5	5.55	37.0	6.05	39.4	6.56	44.2	7.65	49.1	8.82
	33	24.9	4.03	29.7	4.91	34.5	5.89	37.0	6.42	39.4	6.99	44.2	8.13	49.1	9.40
	35	24.9	4.28	29.7	5.23	34.5	6.26	37.0	6.83	39.4	7.41	44.2	8.66	49.1	9.99
	37	24.9	4.51	29.7	5.52	34.5	6.64	37.0	7.25	39.4	7.86	44.2	9.19	49.1	10.63
	39	24.9	4.75	29.7	5.82	34.5	7.03	37.0	7.70	39.4	8.29	44.2	9.76	49.1	11.27

Notes:
 1. TC: Total Capacity(kW) PI : Power Input(kW)(Comp. + Outdoor fan motor)
 2. Capacity tables show the average value of conditions which may occur.

7. Capacity Tables

Cooling Capacity(22HP)

Combination (%)	Outdoor air temp °C DB	Indoor air temp. (DB/WB, °C)													
		20		23		26		27		28		30		32	
		14		16		18		19		20		22		24	
		TC	PI	TC	PI	TC	PI	TC	PI	TC	PI	TC	PI	TC	PI
50	10	20.8	2.58	24.9	2.98	28.8	3.39	30.8	3.64	32.8	3.85	36.7	4.34	40.9	4.82
	12	20.8	2.60	24.9	3.01	28.8	3.44	30.8	3.69	32.8	3.94	36.7	4.42	40.9	4.91
	14	20.8	2.63	24.9	3.06	28.8	3.50	30.8	3.74	32.8	3.99	36.7	4.47	40.9	4.98
	16	20.8	2.68	24.9	3.12	28.8	3.55	30.8	3.82	32.8	4.04	36.7	4.56	40.9	5.07
	18	20.8	2.72	24.9	3.14	28.8	3.60	30.8	3.88	32.8	4.12	36.7	4.64	40.9	5.18
	20	20.8	2.74	24.9	3.20	28.8	3.69	30.8	3.94	32.8	4.20	36.7	4.72	40.9	5.28
	21	20.8	2.77	24.9	3.23	28.8	3.71	30.8	3.99	32.8	4.23	36.7	4.77	40.9	5.34
	23	20.8	2.82	24.9	3.28	28.8	3.77	30.8	4.04	32.8	4.31	36.7	4.86	40.9	5.46
	25	20.8	2.85	24.9	3.34	28.8	3.85	30.8	4.12	32.8	4.45	36.7	5.10	40.9	5.83
	27	20.8	2.90	24.9	3.44	28.8	4.06	30.8	4.40	32.8	4.72	36.7	5.46	40.9	6.21
	29	20.8	3.06	24.9	3.66	28.8	4.31	30.8	4.66	32.8	5.02	36.7	5.78	40.9	6.59
	31	20.8	3.23	24.9	3.88	28.8	4.58	30.8	4.93	32.8	5.34	36.7	6.15	40.9	7.03
	33	20.8	3.41	24.9	4.10	28.8	4.86	30.8	5.23	32.8	5.67	36.7	6.54	40.9	7.49
	35	20.8	3.60	24.9	4.34	28.8	5.12	30.8	5.56	32.8	5.99	36.7	6.91	40.9	7.95
	37	20.8	3.82	24.9	4.58	28.8	5.42	30.8	5.88	32.8	6.34	36.7	7.38	40.9	8.43
	39	20.8	3.99	24.9	4.82	28.8	5.76	30.8	6.21	32.8	6.68	36.7	7.78	40.9	8.93

Notes:

1. TC: Total Capacity(kW) PI : Power Input(kW)(Comp. + Outdoor fan motor)
2. Capacity tables show the average value of conditions which may occur.

7. Capacity Tables

ARUB240LTE4

Cooling Capacity(24HP)

Combination (%)	Outdoor air temp °C DB	Indoor air temp. (DB/WB, °C)													
		20		23		26		27		28		30		32	
		14		16		18		19		20		22		24	
		TC	PI	TC	PI	TC	PI	TC	PI	TC	PI	TC	PI	TC	PI
130	10	61.4	5.82	73.2	7.10	85.0	8.24	88.2	8.40	89.2	8.50	91.4	8.54	93.6	8.60
	12	61.4	5.96	73.2	7.36	85.0	8.58	87.0	8.64	88.4	8.80	90.2	8.88	92.4	8.94
	14	61.4	6.16	73.2	7.62	84.6	8.90	86.0	8.96	87.0	9.12	89.2	9.20	91.4	9.28
	16	61.4	6.38	73.2	7.88	83.6	9.30	84.6	9.38	85.6	9.46	88.0	9.54	90.2	9.62
	18	61.4	6.64	73.2	8.34	82.4	9.80	83.4	9.88	84.6	9.94	87.0	9.98	89.2	10.04
	20	61.4	6.94	73.2	8.90	81.2	10.26	82.6	10.36	83.4	10.42	85.6	10.48	88.0	10.54
	21	61.4	7.12	73.2	9.20	80.6	10.50	82.0	10.60	83.0	10.66	85.2	10.72	87.4	10.78
	23	61.4	7.64	73.2	9.88	79.6	10.96	80.6	11.06	81.8	11.14	84.0	11.20	86.2	11.28
	25	61.4	8.16	73.2	10.56	78.4	11.44	79.8	11.56	80.6	11.64	83.0	11.70	85.2	11.76
	27	61.4	8.74	73.2	11.28	77.4	11.94	78.4	12.02	79.8	12.12	81.8	12.18	84.0	12.26
	29	61.4	9.30	73.2	12.06	76.2	12.44	77.2	12.52	78.4	12.60	80.6	12.66	83.0	12.74
	31	61.4	9.94	73.0	12.70	75.0	12.92	76.2	13.02	77.2	13.08	79.4	13.16	81.6	13.24
	33	61.4	10.58	71.6	13.20	74.0	13.42	75.2	13.50	76.2	13.58	78.4	13.64	80.4	13.72
	35	61.4	11.28	70.4	13.68	72.6	13.92	74.0	14.00	75.2	14.06	77.2	14.12	79.4	14.22
	37	61.4	11.68	69.4	13.94	71.6	14.18	72.6	14.30	74.0	14.36	76.0	14.40	78.2	14.50
	39	61.4	12.08	68.2	14.20	70.4	14.46	71.6	14.58	72.6	14.62	75.0	14.68	77.2	14.78
120	10	56.8	5.22	67.6	6.42	78.6	7.62	84.0	8.24	88.0	8.36	90.0	8.40	92.2	8.42
	12	56.8	5.36	67.6	6.62	78.6	7.92	84.0	8.40	86.8	8.68	88.8	8.78	90.8	8.82
	14	56.8	5.56	67.6	6.86	78.6	8.24	84.0	8.72	85.6	9.00	87.8	9.12	89.8	9.20
	16	56.8	5.76	67.6	7.14	78.6	8.56	83.6	9.18	84.6	9.40	86.6	9.44	88.6	9.56
	18	56.8	5.98	67.6	7.46	78.6	9.08	82.4	9.70	83.4	9.88	85.4	9.92	87.6	9.96
	20	56.8	6.20	67.6	7.90	78.6	9.68	81.4	10.26	82.4	10.38	84.4	10.42	86.4	10.46
	21	56.8	6.40	67.6	8.18	78.6	10.02	80.6	10.50	81.6	10.62	83.8	10.66	85.8	10.70
	23	56.8	6.84	67.6	8.76	78.6	10.68	79.6	10.98	80.6	11.10	82.6	11.14	84.6	11.18
	25	56.8	7.30	67.6	9.38	77.4	11.26	78.4	11.46	79.4	11.58	81.6	11.62	83.6	11.66
	27	56.8	7.80	67.6	10.04	76.4	11.84	77.4	11.94	78.4	12.06	80.4	12.10	82.4	12.16
	29	56.8	8.32	67.6	10.72	75.0	12.34	76.0	12.42	77.0	12.54	79.0	12.60	81.4	12.64
	31	56.8	8.86	67.6	11.44	73.8	12.84	75.0	12.90	76.0	13.02	78.0	13.08	80.0	13.12
	33	56.8	9.44	67.6	12.20	72.8	13.32	73.8	13.38	74.8	13.50	76.8	13.56	78.8	13.62
	35	56.8	10.04	67.6	13.00	71.6	13.82	72.6	13.88	73.8	13.98	75.8	14.04	77.8	14.10
	37	56.8	10.48	67.6	13.32	70.6	14.06	71.6	14.16	72.6	14.20	74.6	14.30	76.6	14.34
	39	56.8	10.92	67.4	13.64	69.4	14.30	70.4	14.40	71.4	14.46	73.6	14.54	75.6	14.58
110	10	52.0	4.70	62.0	5.74	72.0	6.80	77.0	7.36	82.0	7.94	88.2	8.26	90.2	8.28
	12	52.0	4.84	62.0	5.92	72.0	7.10	77.0	7.58	82.0	8.22	87.2	8.58	89.0	8.70
	14	52.0	5.00	62.0	6.20	72.0	7.42	77.0	7.96	82.0	8.64	86.0	8.88	88.0	9.08
	16	52.0	5.18	62.0	6.42	72.0	7.72	77.0	8.30	82.0	9.16	85.0	9.38	86.8	9.46
	18	52.0	5.38	62.0	6.68	72.0	8.16	77.0	8.84	82.0	9.70	83.8	9.86	85.8	9.90
	20	52.0	5.56	62.0	7.02	72.0	8.66	77.0	9.42	80.8	10.24	82.8	10.36	84.4	10.40
	21	52.0	5.68	62.0	7.22	72.0	8.96	77.0	9.76	80.2	10.48	82.0	10.60	84.0	10.64
	23	52.0	6.06	62.0	7.74	72.0	9.62	77.0	10.36	79.0	10.98	81.0	11.08	82.8	11.12
	25	52.0	6.48	62.0	8.26	72.0	10.30	77.0	10.98	78.0	11.44	79.8	11.56	81.8	11.60
	27	52.0	6.92	62.0	8.84	72.0	11.02	75.8	11.58	76.8	11.98	78.8	12.04	80.4	12.08
	29	52.0	7.38	62.0	9.44	72.0	11.76	74.8	12.08	75.8	12.46	77.4	12.52	79.4	12.56
	31	52.0	7.86	62.0	10.06	72.0	12.56	73.4	12.60	74.4	12.94	76.4	13.00	78.2	13.04
	33	52.0	8.38	62.0	10.72	71.4	13.26	72.4	13.18	73.4	13.42	75.2	13.48	77.2	13.54
	35	52.0	8.90	62.0	11.44	70.2	13.72	71.2	13.78	72.2	13.90	74.0	13.96	76.0	14.02
	37	52.0	9.24	62.0	11.78	69.2	13.96	70.2	13.98	71.0	14.10	73.0	14.20	74.8	14.24
	39	52.0	9.60	62.0	12.14	68.0	14.20	69.0	14.22	70.0	14.32	71.8	14.42	73.8	14.46
100	10	45.4	4.68	54.0	5.70	62.8	6.76	67.2	7.30	71.6	7.84	80.4	8.74	88.4	8.80
	12	45.4	4.84	54.0	5.92	62.8	6.98	67.2	7.50	71.6	8.10	80.4	9.20	87.2	9.30
	14	45.4	4.98	54.0	6.16	62.8	7.28	67.2	7.82	71.6	8.44	80.4	9.72	86.2	9.80
	16	45.4	5.14	54.0	6.36	62.8	7.60	67.2	8.20	71.6	8.90	80.4	10.18	85.0	10.32
	18	45.4	5.30	54.0	6.60	62.8	7.88	67.2	8.60	71.6	9.44	80.4	10.76	83.8	10.84
	20	45.4	5.48	54.0	6.86	62.8	8.34	67.2	9.20	71.6	10.10	80.4	11.28	82.6	11.36
	21	45.4	5.60	54.0	7.02	62.8	8.62	67.2	9.52	71.6	10.48	80.4	11.54	82.0	11.62
	23	45.4	5.92	54.0	7.50	62.8	9.26	67.2	10.22	71.6	11.22	79.2	12.08	81.0	12.18
	25	45.4	6.30	54.0	8.00	62.8	9.90	67.2	10.94	71.6	12.00	78.2	12.60	79.6	12.70
	27	45.4	6.74	54.0	8.54	62.8	10.58	67.2	11.68	71.6	12.76	77.0	13.18	78.8	13.30
	29	45.4	7.16	54.0	9.12	62.8	11.30	67.2	12.48	71.6	13.50	75.8	13.72	77.6	13.82
	31	45.4	7.66	54.0	9.72	62.8	12.06	67.2	13.32	71.6	14.18	74.6	14.24	76.4	14.36
	33	45.4	8.12	54.0	10.36	62.8	12.86	67.2	14.22	71.6	14.72	73.6	14.78	75.2	14.90
	35	45.4	8.62	54.0	11.02	62.8	13.70	67.2	15.16	70.4	15.26	72.4	15.32	74.0	15.44
	37	45.4	8.98	54.0	11.48	62.8	14.08	67.2	15.42	69.2	15.50	71.2	15.56	73.0	15.70
	39	45.4	9.32	54.0	11.94	62.8	14.46	67.2	15.68	68.2	15.74	70.2	15.80	71.8	15.94

Notes:
 1. TC: Total Capacity(kW) PI : Power Input(kW)(Comp. + Outdoor fan motor)
 2. Capacity tables show the average value of conditions which may occur.

7. Capacity Tables

Cooling Capacity(24HP)

Combination (%)	Outdoor air temp °C DB	Indoor air temp. (DB/WB, °C)													
		20		23		26		27		28		30		32	
		14		16		18		19		20		22		24	
		TC	PI	TC	PI	TC	PI	TC	PI	TC	PI	TC	PI	TC	PI
90	10	40.8	4.24	48.8	5.14	56.6	6.06	60.4	6.54	64.4	7.04	72.2	7.86	80.2	7.96
	12	40.8	4.32	48.8	5.22	56.6	6.16	60.4	6.66	64.4	7.18	72.2	8.02	80.2	8.40
	14	40.8	4.40	48.8	5.32	56.6	6.30	60.4	6.80	64.4	7.32	72.2	8.18	80.2	8.86
	16	40.8	4.48	48.8	5.44	56.6	6.42	60.4	6.92	64.4	7.46	72.2	8.34	80.2	9.24
	18	40.8	4.56	48.8	5.54	56.6	6.54	60.4	7.08	64.4	7.60	72.2	8.52	80.2	9.70
	20	40.8	4.64	48.8	5.64	56.6	6.66	60.4	7.22	64.4	7.90	72.2	9.12	80.2	10.18
	21	40.8	4.70	48.8	5.70	56.6	6.80	60.4	7.46	64.4	8.18	72.2	9.46	80.2	10.40
	23	40.8	4.80	48.8	5.92	56.6	7.26	60.4	8.00	64.4	8.76	72.2	10.12	79.0	10.90
	25	40.8	5.04	48.8	6.32	56.6	7.76	60.4	8.56	64.4	9.36	72.2	10.82	78.0	11.36
	27	40.8	5.38	48.8	6.74	56.6	8.28	60.4	9.12	64.4	10.02	72.2	11.52	76.8	11.90
	29	40.8	5.70	48.8	7.18	56.6	8.86	60.4	9.76	64.4	10.70	72.2	12.32	75.6	12.38
	31	40.8	6.06	48.8	7.66	56.6	9.44	60.4	10.38	64.4	11.42	72.2	12.80	74.4	12.86
	33	40.8	6.46	48.8	8.16	56.6	10.08	60.4	11.08	64.4	12.10	72.2	13.28	73.4	13.32
	35	40.8	6.84	48.8	8.66	56.6	10.70	60.4	11.80	64.4	12.84	71.0	13.76	72.2	13.80
	37	40.8	7.26	48.8	9.20	56.6	11.42	60.4	12.54	64.4	13.54	69.8	14.06	71.0	14.18
	39	40.8	7.70	48.8	9.80	56.6	12.08	60.4	13.22	64.4	14.22	68.8	14.28	70.0	14.42
80	10	36.2	4.08	43.2	4.92	50.2	5.76	53.8	6.22	57.4	6.68	64.4	7.60	71.2	7.96
	12	36.2	4.18	43.2	4.96	50.2	5.88	53.8	6.34	57.4	6.78	64.4	7.74	71.2	8.40
	14	36.2	4.22	43.2	5.08	50.2	5.96	53.8	6.44	57.4	6.90	64.4	7.90	71.2	8.58
	16	36.2	4.28	43.2	5.16	50.2	6.08	53.8	6.56	57.4	7.04	64.4	8.06	71.2	8.76
	18	36.2	4.38	43.2	5.26	50.2	6.18	53.8	6.68	57.4	7.18	64.4	8.20	71.2	8.94
	20	36.2	4.46	43.2	5.36	50.2	6.34	53.8	6.82	57.4	7.32	64.4	8.52	71.2	9.56
	21	36.2	4.48	43.2	5.42	50.2	6.38	53.8	6.90	57.4	7.50	64.4	8.78	71.2	9.92
	23	36.2	4.58	43.2	5.50	50.2	6.68	53.8	7.32	57.4	8.00	64.4	9.28	71.2	10.64
	25	36.2	4.74	43.2	5.88	50.2	7.16	53.8	7.84	57.4	8.58	64.4	9.92	71.2	11.36
	27	36.2	5.02	43.2	6.24	50.2	7.64	53.8	8.38	57.4	9.14	64.4	10.54	71.2	11.90
	29	36.2	5.34	43.2	6.68	50.2	8.12	53.8	8.92	57.4	9.76	64.4	11.30	71.2	12.38
	31	36.2	5.68	43.2	7.06	50.2	8.66	53.8	9.50	57.4	10.38	64.4	12.00	71.2	12.86
	33	36.2	6.02	43.2	7.56	50.2	9.22	53.8	10.14	57.4	11.08	64.4	12.64	71.2	13.32
	35	36.2	6.38	43.2	8.00	50.2	9.82	53.8	10.78	57.4	11.80	64.4	13.40	70.6	13.80
	37	36.2	6.76	43.2	8.52	50.2	10.42	53.8	11.46	57.4	12.54	64.4	14.06	69.4	14.18
	39	36.2	7.14	43.2	9.00	50.2	11.04	53.8	12.08	57.4	13.34	64.4	14.28	68.2	14.42
70	10	31.6	3.70	38.0	4.40	44.0	5.10	47.0	5.52	50.2	5.88	56.2	6.70	62.4	7.50
	12	31.6	3.76	38.0	4.46	44.0	5.22	47.0	5.60	50.2	6.00	56.2	6.82	62.4	7.64
	14	31.6	3.82	38.0	4.52	44.0	5.30	47.0	5.68	50.2	6.10	56.2	6.96	62.4	7.78
	16	31.6	3.88	38.0	4.60	44.0	5.40	47.0	5.80	50.2	6.22	56.2	7.08	62.4	7.94
	18	31.6	3.94	38.0	4.70	44.0	5.52	47.0	5.92	50.2	6.32	56.2	7.20	62.4	8.08
	20	31.6	4.00	38.0	4.78	44.0	5.60	47.0	6.04	50.2	6.48	56.2	7.38	62.4	8.40
	21	31.6	4.06	38.0	4.82	44.0	5.66	47.0	6.10	50.2	6.54	56.2	7.50	62.4	8.66
	23	31.6	4.12	38.0	4.92	44.0	5.78	47.0	6.30	50.2	6.86	56.2	8.02	62.4	9.14
	25	31.6	4.16	38.0	5.10	44.0	6.16	47.0	6.74	50.2	7.32	56.2	8.58	62.4	9.78
	27	31.6	4.40	38.0	5.46	44.0	6.56	47.0	7.14	50.2	7.82	56.2	9.16	62.4	10.40
	29	31.6	4.70	38.0	5.78	44.0	6.96	47.0	7.62	50.2	8.30	56.2	9.76	62.4	11.14
	31	31.6	4.98	38.0	6.16	44.0	7.44	47.0	8.14	50.2	8.86	56.2	10.40	62.4	11.82
	33	31.6	5.28	38.0	6.50	44.0	7.90	47.0	8.64	50.2	9.42	56.2	11.08	62.4	12.46
	35	31.6	5.56	38.0	6.94	44.0	8.40	47.0	9.18	50.2	10.04	56.2	11.80	62.4	13.22
	37	31.6	5.92	38.0	7.36	44.0	8.92	47.0	9.76	50.2	10.68	56.2	12.56	62.4	13.94
	39	31.6	6.22	38.0	7.76	44.0	9.44	47.0	10.30	50.2	11.30	56.2	13.32	62.4	14.42
60	10	27.2	3.30	32.4	3.86	37.6	4.48	40.4	4.82	43.0	5.12	48.2	5.80	53.6	6.50
	12	27.2	3.36	32.4	3.92	37.6	4.54	40.4	4.88	43.0	5.20	48.2	5.90	53.6	6.62
	14	27.2	3.38	32.4	3.98	37.6	4.64	40.4	4.96	43.0	5.30	48.2	6.02	53.6	6.74
	16	27.2	3.44	32.4	4.08	37.6	4.70	40.4	5.06	43.0	5.42	48.2	6.14	53.6	6.86
	18	27.2	3.50	32.4	4.14	37.6	4.78	40.4	5.14	43.0	5.50	48.2	6.22	53.6	7.00
	20	27.2	3.56	32.4	4.20	37.6	4.88	40.4	5.24	43.0	5.60	48.2	6.34	53.6	7.16
	21	27.2	3.60	32.4	4.22	37.6	4.94	40.4	5.30	43.0	5.66	48.2	6.44	53.6	7.22
	23	27.2	3.66	32.4	4.30	37.6	5.00	40.4	5.38	43.0	5.78	48.2	6.68	53.6	7.66
	25	27.2	3.72	32.4	4.40	37.6	5.20	40.4	5.66	43.0	6.14	48.2	7.12	53.6	8.20
	27	27.2	3.84	32.4	4.64	37.6	5.54	40.4	6.02	43.0	6.52	48.2	7.58	53.6	8.74
	29	27.2	4.08	32.4	4.94	37.6	5.90	40.4	6.40	43.0	6.94	48.2	8.08	53.6	9.34
	31	27.2	4.30	32.4	5.24	37.6	6.26	40.4	6.82	43.0	7.40	48.2	8.62	53.6	9.94
	33	27.2	4.54	32.4	5.54	37.6	6.64	40.4	7.24	43.0	7.88	48.2	9.16	53.6	10.60
	35	27.2	4.82	32.4	5.90	37.6	7.06	40.4	7.70	43.0	8.36	48.2	9.76	53.6	11.26
	37	27.2	5.08	32.4	6.22	37.6	7.48	40.4	8.18	43.0	8.86	48.2	10.36	53.6	11.98
	39	27.2	5.36	32.4	6.56	37.6	7.92	40.4	8.68	43.0	9.34	48.2	11.00	53.6	12.70

Notes:

1. TC: Total Capacity(kW) PI : Power Input(kW)(Comp. + Outdoor fan motor)
2. Capacity tables show the average value of conditions which may occur.

7. Capacity Tables

Cooling Capacity(24HP)

Combination (%)	Outdoor air temp °C DB	Indoor air temp. (DB/WB, °C)													
		20		23		26		27		28		30		32	
		14		16		18		19		20		22		24	
		TC	PI	TC	PI	TC	PI	TC	PI	TC	PI	TC	PI	TC	PI
50	10	22.6	2.92	27.2	3.38	31.4	3.84	33.6	4.12	35.8	4.36	40.0	4.92	44.6	5.46
	12	22.6	2.94	27.2	3.40	31.4	3.90	33.6	4.18	35.8	4.46	40.0	5.00	44.6	5.56
	14	22.6	2.98	27.2	3.46	31.4	3.96	33.6	4.24	35.8	4.52	40.0	5.06	44.6	5.64
	16	22.6	3.04	27.2	3.54	31.4	4.02	33.6	4.32	35.8	4.58	40.0	5.16	44.6	5.74
	18	22.6	3.08	27.2	3.56	31.4	4.08	33.6	4.40	35.8	4.66	40.0	5.26	44.6	5.86
	20	22.6	3.10	27.2	3.62	31.4	4.18	33.6	4.46	35.8	4.76	40.0	5.34	44.6	5.98
	21	22.6	3.14	27.2	3.66	31.4	4.20	33.6	4.52	35.8	4.78	40.0	5.40	44.6	6.04
	23	22.6	3.20	27.2	3.72	31.4	4.26	33.6	4.58	35.8	4.88	40.0	5.50	44.6	6.18
	25	22.6	3.22	27.2	3.78	31.4	4.36	33.6	4.66	35.8	5.04	40.0	5.78	44.6	6.60
	27	22.6	3.28	27.2	3.90	31.4	4.60	33.6	4.98	35.8	5.34	40.0	6.18	44.6	7.04
	29	22.6	3.46	27.2	4.14	31.4	4.88	33.6	5.28	35.8	5.68	40.0	6.54	44.6	7.46
	31	22.6	3.66	27.2	4.40	31.4	5.18	33.6	5.58	35.8	6.04	40.0	6.96	44.6	7.96
	33	22.6	3.86	27.2	4.64	31.4	5.50	33.6	5.92	35.8	6.42	40.0	7.40	44.6	8.48
	35	22.6	4.08	27.2	4.92	31.4	5.80	33.6	6.30	35.8	6.78	40.0	7.82	44.6	9.00
	37	22.6	4.32	27.2	5.18	31.4	6.14	33.6	6.66	35.8	7.18	40.0	8.36	44.6	9.54
39	22.6	4.52	27.2	5.46	31.4	6.52	33.6	7.04	35.8	7.56	40.0	8.80	44.6	10.12	

Notes:

1. TC: Total Capacity(kW) PI : Power Input(kW)(Comp. + Outdoor fan motor)
2. Capacity tables show the average value of conditions which may occur.

7. Capacity Tables

ARUB260LTE4

Cooling Capacity(26HP)

Combination (%)	Outdoor air temp °C DB	Indoor air temp. (DB/WB, °C)													
		20		23		26		27		28		30		32	
		14		16		18		19		20		22		24	
		TC	PI	TC	PI	TC	PI	TC	PI	TC	PI	TC	PI	TC	PI
130	10	66.5	6.51	79.3	7.95	92.0	9.22	95.5	9.40	96.6	9.51	99.0	9.56	101.4	9.62
	12	66.5	6.67	79.3	8.23	92.0	9.60	94.2	9.66	95.8	9.85	97.7	9.94	100.1	10.00
	14	66.5	6.89	79.3	8.53	91.7	9.96	93.1	10.03	94.2	10.20	96.6	10.30	99.0	10.38
	16	66.5	7.14	79.3	8.82	90.6	10.41	91.7	10.50	92.8	10.58	95.3	10.68	97.7	10.77
	18	66.5	7.43	79.3	9.34	89.3	10.97	90.4	11.06	91.7	11.12	94.2	11.17	96.6	11.24
	20	66.5	7.77	79.3	9.95	87.9	11.49	89.5	11.59	90.4	11.66	92.8	11.72	95.3	11.79
	21	66.5	7.97	79.3	10.30	87.4	11.75	88.8	11.87	89.9	11.93	92.3	11.99	94.7	12.06
	23	66.5	8.55	79.3	11.05	86.3	12.26	87.4	12.38	88.7	12.47	90.9	12.54	93.4	12.62
	25	66.5	9.13	79.3	11.81	84.9	12.80	86.4	12.93	87.4	13.02	89.9	13.09	92.3	13.16
	27	66.5	9.78	79.3	12.62	83.9	13.36	84.9	13.45	86.4	13.56	88.7	13.63	90.9	13.71
	29	66.5	10.41	79.3	13.50	82.5	13.91	83.7	14.01	84.9	14.10	87.4	14.17	89.9	14.26
	31	66.5	11.12	79.0	14.21	81.2	14.46	82.5	14.56	83.7	14.64	86.0	14.72	88.4	14.81
	33	66.5	11.84	77.6	14.76	80.1	15.02	81.4	15.11	82.5	15.19	84.9	15.26	87.1	15.35
	35	66.5	12.62	76.3	15.30	78.7	15.57	80.1	15.67	81.4	15.73	83.6	15.80	86.0	15.91
	37	66.5	13.07	75.2	15.59	77.6	15.87	78.7	16.00	80.1	16.06	82.3	16.11	84.7	16.23
	39	66.5	13.52	73.9	15.90	76.3	16.19	77.6	16.31	78.7	16.36	81.2	16.42	83.6	16.54
120	10	61.5	5.85	73.2	7.18	85.1	8.53	91.1	9.22	95.4	9.36	97.6	9.40	99.8	9.43
	12	61.5	6.00	73.2	7.41	85.1	8.86	91.1	9.40	94.1	9.71	96.2	9.82	98.4	9.87
	14	61.5	6.22	73.2	7.67	85.1	9.22	91.1	9.76	92.7	10.06	95.1	10.21	97.3	10.30
	16	61.5	6.44	73.2	7.98	85.1	9.58	90.6	10.28	91.7	10.52	93.8	10.57	96.0	10.69
	18	61.5	6.69	73.2	8.34	85.1	10.16	89.2	10.86	90.3	11.06	92.5	11.11	94.9	11.15
	20	61.5	6.94	73.2	8.84	85.1	10.83	88.1	11.49	89.2	11.61	91.4	11.66	93.6	11.70
	21	61.5	7.16	73.2	9.16	85.1	11.21	87.3	11.75	88.4	11.88	90.8	11.92	93.0	11.97
	23	61.5	7.65	73.2	9.80	85.1	11.95	86.2	12.28	87.3	12.42	89.5	12.46	91.7	12.51
	25	61.5	8.17	73.2	10.50	83.8	12.60	84.9	12.83	86.0	12.96	88.4	13.00	90.6	13.05
	27	61.5	8.73	73.2	11.23	82.7	13.25	83.8	13.36	84.9	13.49	87.1	13.54	89.2	13.60
	29	61.5	9.31	73.2	11.99	81.3	13.80	82.4	13.90	83.5	14.03	85.6	14.09	88.1	14.14
	31	61.5	9.92	73.2	12.80	80.0	14.37	81.3	14.43	82.4	14.57	84.6	14.63	86.7	14.69
	33	61.5	10.56	73.2	13.65	78.9	14.90	80.0	14.98	81.0	15.11	83.2	15.17	85.4	15.24
	35	61.5	11.23	73.2	14.55	77.6	15.47	78.6	15.53	80.0	15.65	82.1	15.71	84.3	15.78
	37	61.5	11.73	73.2	14.90	76.5	15.73	77.6	15.84	78.6	15.89	80.8	16.00	83.0	16.04
	39	61.5	12.22	73.0	15.26	75.1	16.01	76.2	16.12	77.3	16.18	79.7	16.27	81.9	16.32
110	10	56.3	5.26	67.2	6.42	78.0	7.61	83.4	8.24	88.8	8.88	95.6	9.24	97.7	9.27
	12	56.3	5.42	67.2	6.63	78.0	7.94	83.4	8.48	88.8	9.20	94.5	9.60	96.4	9.73
	14	56.3	5.60	67.2	6.93	78.0	8.30	83.4	8.90	88.8	9.67	93.2	9.94	95.3	10.16
	16	56.3	5.80	67.2	7.18	78.0	8.64	83.4	9.29	88.8	10.26	92.1	10.50	94.0	10.58
	18	56.3	6.01	67.2	7.48	78.0	9.13	83.4	9.90	88.8	10.86	90.7	11.04	92.9	11.08
	20	56.3	6.22	67.2	7.85	78.0	9.69	83.4	10.55	87.5	11.46	89.7	11.59	91.5	11.63
	21	56.3	6.36	67.2	8.08	78.0	10.03	83.4	10.93	86.9	11.72	88.8	11.86	91.0	11.90
	23	56.3	6.78	67.2	8.67	78.0	10.76	83.4	11.59	85.6	12.28	87.7	12.39	89.7	12.44
	25	56.3	7.25	67.2	9.25	78.0	11.52	83.4	12.28	84.5	12.80	86.4	12.93	88.6	12.98
	27	56.3	7.74	67.2	9.89	78.0	12.33	82.1	12.96	83.2	13.40	85.3	13.47	87.2	13.52
	29	56.3	8.26	67.2	10.56	78.0	13.15	81.0	13.51	82.1	13.94	83.9	14.01	86.1	14.06
	31	56.3	8.79	67.2	11.26	78.0	14.05	79.6	14.10	80.7	14.48	82.8	14.54	84.7	14.60
	33	56.3	9.37	67.2	11.99	77.4	14.84	78.5	14.74	79.6	15.02	81.5	15.08	83.6	15.15
	35	56.3	9.95	67.2	12.80	76.1	15.36	77.1	15.42	78.2	15.56	80.2	15.62	82.3	15.69
	37	56.3	10.34	67.2	13.19	75.0	15.63	76.1	15.65	76.9	15.78	79.1	15.89	81.0	15.93
	39	56.3	10.74	67.2	13.58	73.7	15.88	74.7	15.91	75.8	16.03	77.7	16.13	79.9	16.18
100	10	49.2	5.05	58.5	6.14	68.1	7.29	72.8	7.87	77.5	8.46	87.1	9.42	95.7	9.49
	12	49.2	5.22	58.5	6.39	68.1	7.53	72.8	8.09	77.5	8.73	87.1	9.92	94.4	10.03
	14	49.2	5.38	58.5	6.65	68.1	7.85	72.8	8.44	77.5	9.10	87.1	10.48	93.4	10.57
	16	49.2	5.54	58.5	6.86	68.1	8.19	72.8	8.84	77.5	9.60	87.1	10.98	92.1	11.14
	18	49.2	5.71	58.5	7.12	68.1	8.50	72.8	9.27	77.5	10.18	87.1	11.61	90.8	11.70
	20	49.2	5.91	58.5	7.40	68.1	9.00	72.8	9.93	77.5	10.89	87.1	12.16	89.5	12.26
	21	49.2	6.04	58.5	7.57	68.1	9.30	72.8	10.27	77.5	11.30	87.1	12.44	88.9	12.54
	23	49.2	6.39	58.5	8.09	68.1	9.99	72.8	11.02	77.5	12.10	85.8	13.03	87.8	13.13
	25	49.2	6.79	58.5	8.63	68.1	10.67	72.8	11.79	77.5	12.94	84.7	13.59	86.3	13.69
	27	49.2	7.26	58.5	9.21	68.1	11.41	72.8	12.60	77.5	13.76	83.4	14.22	85.3	14.34
	29	49.2	7.72	58.5	9.84	68.1	12.19	72.8	13.46	77.5	14.56	82.1	14.80	84.0	14.91
	31	49.2	8.26	58.5	10.48	68.1	13.00	72.8	14.36	77.5	15.30	80.9	15.36	82.7	15.49
	33	49.2	8.75	58.5	11.17	68.1	13.87	72.8	15.33	77.5	15.87	79.7	15.94	81.4	16.07
	35	49.2	9.30	58.5	11.88	68.1	14.77	72.8	16.35	76.3	16.45	78.4	16.52	80.1	16.65
	37	49.2	9.68	58.5	12.38	68.1	15.19	72.8	16.63	75.0	16.71	77.2	16.78	79.1	16.93
	39	49.2	10.05	58.5	12.87	68.1	15.59	72.8	16.91	73.8	16.98	76.0	17.04	77.8	17.20

Notes:
 1. TC: Total Capacity(kW) PI : Power Input(kW)(Comp. + Outdoor fan motor)
 2. Capacity tables show the average value of conditions which may occur.

7. Capacity Tables

Cooling Capacity(26HP)

Combination (%)	Outdoor air temp °C DB	Indoor air temp. (DB/WB, °C)													
		20		23		26		27		28		30		32	
		14		16		18		19		20		22		24	
		TC	PI	TC	PI	TC	PI	TC	PI	TC	PI	TC	PI	TC	PI
90	10	44.2	4.45	52.8	5.37	61.3	6.33	65.5	6.83	69.7	7.35	78.2	8.22	86.9	8.75
	12	44.2	4.52	52.8	5.45	61.3	6.44	65.5	6.96	69.7	7.50	78.2	8.38	86.9	9.05
	14	44.2	4.60	52.8	5.56	61.3	6.58	65.5	7.10	69.7	7.65	78.2	8.55	86.9	9.38
	16	44.2	4.68	52.8	5.68	61.3	6.71	65.5	7.23	69.7	7.79	78.2	8.71	86.9	9.65
	18	44.2	4.77	52.8	5.78	61.3	6.83	65.5	7.40	69.7	7.94	78.2	8.90	86.9	10.14
	20	44.2	4.85	52.8	5.89	61.3	6.96	65.5	7.54	69.7	8.25	78.2	9.52	86.9	10.63
	21	44.2	4.91	52.8	5.95	61.3	7.10	65.5	7.79	69.7	8.55	78.2	9.88	86.9	10.87
	23	44.2	5.01	52.8	6.19	61.3	7.59	65.5	8.36	69.7	9.15	78.2	10.58	85.6	11.38
	25	44.2	5.26	52.8	6.60	61.3	8.11	65.5	8.94	69.7	9.78	78.2	11.31	84.5	11.87
	27	44.2	5.62	52.8	7.04	61.3	8.65	65.5	9.53	69.7	10.47	78.2	12.03	83.2	12.43
	29	44.2	5.95	52.8	7.50	61.3	9.26	65.5	10.19	69.7	11.18	78.2	12.87	81.9	12.93
	31	44.2	6.33	52.8	8.00	61.3	9.86	65.5	10.85	69.7	11.92	78.2	13.37	80.7	13.43
	33	44.2	6.74	52.8	8.52	61.3	10.53	65.5	11.57	69.7	12.64	78.2	13.88	79.5	13.92
	35	44.2	7.15	52.8	9.04	61.3	11.18	65.5	12.33	69.7	13.41	76.9	14.38	78.2	14.42
	37	44.2	7.59	52.8	9.61	61.3	11.92	65.5	13.10	69.7	14.15	75.6	14.79	77.0	14.87
39	44.2	8.04	52.8	10.23	61.3	12.62	65.5	13.81	69.7	14.87	74.5	15.16	75.8	15.25	
80	10	39.2	4.29	46.8	5.16	54.4	6.05	58.3	6.53	62.2	7.01	69.7	7.98	77.2	8.52
	12	39.2	4.38	46.8	5.21	54.4	6.17	58.3	6.65	62.2	7.12	69.7	8.13	77.2	8.83
	14	39.2	4.43	46.8	5.33	54.4	6.26	58.3	6.76	62.2	7.24	69.7	8.29	77.2	9.01
	16	39.2	4.50	46.8	5.42	54.4	6.38	58.3	6.88	62.2	7.39	69.7	8.46	77.2	9.19
	18	39.2	4.59	46.8	5.52	54.4	6.49	58.3	7.01	62.2	7.54	69.7	8.61	77.2	9.38
	20	39.2	4.68	46.8	5.63	54.4	6.65	58.3	7.15	62.2	7.68	69.7	8.94	77.2	10.04
	21	39.2	4.70	46.8	5.69	54.4	6.70	58.3	7.24	62.2	7.87	69.7	9.22	77.2	10.41
	23	39.2	4.80	46.8	5.78	54.4	7.01	58.3	7.68	62.2	8.40	69.7	9.74	77.2	11.16
	25	39.2	4.97	46.8	6.17	54.4	7.51	58.3	8.22	62.2	9.00	69.7	10.41	77.2	11.87
	27	39.2	5.27	46.8	6.55	54.4	8.02	58.3	8.79	62.2	9.59	69.7	11.07	77.2	12.43
	29	39.2	5.60	46.8	7.01	54.4	8.52	58.3	9.36	62.2	10.25	69.7	11.86	77.2	12.93
	31	39.2	5.96	46.8	7.41	54.4	9.09	58.3	9.98	62.2	10.90	69.7	12.59	77.2	13.43
	33	39.2	6.32	46.8	7.93	54.4	9.68	58.3	10.64	62.2	11.62	69.7	13.26	77.2	13.92
	35	39.2	6.70	46.8	8.40	54.4	10.31	58.3	11.32	62.2	12.39	69.7	14.06	76.4	14.42
	37	39.2	7.09	46.8	8.94	54.4	10.93	58.3	12.03	62.2	13.16	69.7	14.79	75.2	14.87
39	39.2	7.49	46.8	9.44	54.4	11.58	58.3	12.68	62.2	14.01	69.7	15.16	73.9	15.25	
70	10	34.3	3.90	41.1	4.64	47.6	5.38	50.9	5.81	54.4	6.20	60.9	7.07	67.6	7.91
	12	34.3	3.96	41.1	4.70	47.6	5.50	50.9	5.90	54.4	6.33	60.9	7.19	67.6	8.05
	14	34.3	4.03	41.1	4.76	47.6	5.59	50.9	5.99	54.4	6.43	60.9	7.34	67.6	8.20
	16	34.3	4.09	41.1	4.85	47.6	5.69	50.9	6.12	54.4	6.55	60.9	7.47	67.6	8.38
	18	34.3	4.15	41.1	4.95	47.6	5.81	50.9	6.24	54.4	6.67	60.9	7.59	67.6	8.52
	20	34.3	4.21	41.1	5.04	47.6	5.90	50.9	6.36	54.4	6.83	60.9	7.78	67.6	8.85
	21	34.3	4.28	41.1	5.08	47.6	5.96	50.9	6.43	54.4	6.89	60.9	7.90	67.6	9.13
	23	34.3	4.34	41.1	5.19	47.6	6.09	50.9	6.64	54.4	7.23	60.9	8.45	67.6	9.64
	25	34.3	4.39	41.1	5.38	47.6	6.49	50.9	7.10	54.4	7.72	60.9	9.04	67.6	10.31
	27	34.3	4.64	41.1	5.75	47.6	6.92	50.9	7.53	54.4	8.24	60.9	9.65	67.6	10.96
	29	34.3	4.95	41.1	6.09	47.6	7.34	50.9	8.03	54.4	8.75	60.9	10.29	67.6	11.74
	31	34.3	5.25	41.1	6.49	47.6	7.84	50.9	8.58	54.4	9.34	60.9	10.97	67.6	12.46
	33	34.3	5.56	41.1	6.85	47.6	8.33	50.9	9.10	54.4	9.93	60.9	11.68	67.6	13.13
	35	34.3	5.87	41.1	7.32	47.6	8.85	50.9	9.68	54.4	10.58	60.9	12.44	67.6	13.93
	37	34.3	6.24	41.1	7.75	47.6	9.40	50.9	10.29	54.4	11.25	60.9	13.24	67.6	14.70
39	34.3	6.56	41.1	8.18	47.6	9.95	50.9	10.86	54.4	11.91	60.9	14.04	67.6	15.25	
60	10	29.4	3.49	35.1	4.09	40.8	4.75	43.7	5.10	46.6	5.42	52.2	6.14	58.0	6.88
	12	29.4	3.55	35.1	4.15	40.8	4.81	43.7	5.16	46.6	5.51	52.2	6.24	58.0	7.00
	14	29.4	3.58	35.1	4.21	40.8	4.91	43.7	5.26	46.6	5.61	52.2	6.37	58.0	7.13
	16	29.4	3.64	35.1	4.31	40.8	4.97	43.7	5.36	46.6	5.74	52.2	6.50	58.0	7.26
	18	29.4	3.71	35.1	4.38	40.8	5.06	43.7	5.45	46.6	5.83	52.2	6.59	58.0	7.41
	20	29.4	3.77	35.1	4.44	40.8	5.16	43.7	5.55	46.6	5.93	52.2	6.71	58.0	7.58
	21	29.4	3.81	35.1	4.47	40.8	5.23	43.7	5.61	46.6	5.99	52.2	6.81	58.0	7.64
	23	29.4	3.87	35.1	4.56	40.8	5.29	43.7	5.70	46.6	6.12	52.2	7.07	58.0	8.11
	25	29.4	3.93	35.1	4.66	40.8	5.51	43.7	5.99	46.6	6.50	52.2	7.54	58.0	8.68
	27	29.4	4.06	35.1	4.91	40.8	5.86	43.7	6.37	46.6	6.90	52.2	8.02	58.0	9.25
	29	29.4	4.31	35.1	5.23	40.8	6.24	43.7	6.78	46.6	7.35	52.2	8.55	58.0	9.89
	31	29.4	4.56	35.1	5.55	40.8	6.62	43.7	7.22	46.6	7.83	52.2	9.12	58.0	10.52
	33	29.4	4.81	35.1	5.86	40.8	7.03	43.7	7.67	46.6	8.34	52.2	9.70	58.0	11.22
	35	29.4	5.10	35.1	6.24	40.8	7.48	43.7	8.15	46.6	8.84	52.2	10.33	58.0	11.92
	37	29.4	5.38	35.1	6.59	40.8	7.92	43.7	8.65	46.6	9.38	52.2	10.96	58.0	12.68
39	29.4	5.67	35.1	6.94	40.8	8.38	43.7	9.19	46.6	9.89	52.2	11.64	58.0	13.44	

Notes:
 1. TC: Total Capacity(kW) PI : Power Input(kW)(Comp. + Outdoor fan motor)
 2. Capacity tables show the average value of conditions which may occur.

7. Capacity Tables

Cooling Capacity(26HP)

Combination (%)	Outdoor air temp °C DB	Indoor air temp. (DB/WB, °C)													
		20		23		26		27		28		30		32	
		14		16		18		19		20		22		24	
		TC	PI	TC	PI	TC	PI	TC	PI	TC	PI	TC	PI	TC	PI
50	10	24.5	3.10	29.4	3.59	34.0	4.08	36.4	4.38	38.8	4.63	43.4	5.22	48.3	5.81
	12	24.5	3.13	29.4	3.62	34.0	4.14	36.4	4.44	38.8	4.74	43.4	5.32	48.3	5.91
	14	24.5	3.17	29.4	3.68	34.0	4.21	36.4	4.50	38.8	4.80	43.4	5.38	48.3	6.00
	16	24.5	3.23	29.4	3.76	34.0	4.27	36.4	4.60	38.8	4.86	43.4	5.48	48.3	6.10
	18	24.5	3.27	29.4	3.78	34.0	4.34	36.4	4.67	38.8	4.96	43.4	5.58	48.3	6.23
	20	24.5	3.30	29.4	3.85	34.0	4.44	36.4	4.74	38.8	5.06	43.4	5.68	48.3	6.36
	21	24.5	3.33	29.4	3.89	34.0	4.47	36.4	4.80	38.8	5.09	43.4	5.74	48.3	6.42
	23	24.5	3.40	29.4	3.95	34.0	4.53	36.4	4.86	38.8	5.19	43.4	5.84	48.3	6.56
	25	24.5	3.42	29.4	4.02	34.0	4.63	36.4	4.96	38.8	5.35	43.4	6.14	48.3	7.01
	27	24.5	3.49	29.4	4.14	34.0	4.89	36.4	5.29	38.8	5.68	43.4	6.56	48.3	7.48
	29	24.5	3.68	29.4	4.40	34.0	5.19	36.4	5.61	38.8	6.04	43.4	6.95	48.3	7.93
	31	24.5	3.89	29.4	4.67	34.0	5.51	36.4	5.93	38.8	6.42	43.4	7.40	48.3	8.45
	33	24.5	4.11	29.4	4.93	34.0	5.84	36.4	6.29	38.8	6.82	43.4	7.86	48.3	9.01
	35	24.5	4.34	29.4	5.22	34.0	6.17	36.4	6.69	38.8	7.21	43.4	8.32	48.3	9.56
	37	24.5	4.60	29.4	5.51	34.0	6.53	36.4	7.08	38.8	7.63	43.4	8.88	48.3	10.14
	39	24.5	4.81	29.4	5.80	34.0	6.93	36.4	7.48	38.8	8.03	43.4	9.36	48.3	10.75

Notes:

1. TC: Total Capacity(kW) PI : Power Input(kW)(Comp. + Outdoor fan motor)
2. Capacity tables show the average value of conditions which may occur.

7. Capacity Tables

ARUB280LTE4

Cooling Capacity(28HP)

Combination (%)	Outdoor air temp °C DB	Indoor air temp. (DB/WB, °C)													
		20		23		26		27		28		30		32	
		14		16		18		19		20		22		24	
		TC	PI	TC	PI	TC	PI	TC	PI	TC	PI	TC	PI	TC	PI
130	10	71.7	7.33	85.4	8.95	99.1	10.39	102.9	10.59	104.0	10.71	106.6	10.77	109.2	10.83
	12	71.7	7.51	85.4	9.28	99.1	10.81	101.4	10.89	103.1	11.09	105.2	11.20	107.8	11.26
	14	71.7	7.76	85.4	9.61	98.7	11.22	100.3	11.30	101.4	11.50	104.0	11.60	106.6	11.70
	16	71.7	8.04	85.4	9.94	97.6	11.72	98.7	11.83	99.9	11.92	102.6	12.03	105.2	12.13
	18	71.7	8.38	85.4	10.52	96.1	12.35	97.3	12.46	98.7	12.53	101.4	12.59	104.0	12.66
	20	71.7	8.75	85.4	11.21	94.7	12.94	96.4	13.06	97.3	13.14	99.9	13.21	102.6	13.28
	21	71.7	8.98	85.4	11.60	94.1	13.24	95.6	13.37	96.8	13.44	99.4	13.51	102.0	13.59
	23	71.7	9.63	85.4	12.45	92.9	13.81	94.1	13.94	95.5	14.05	97.9	14.12	100.5	14.21
	25	71.7	10.29	85.4	13.31	91.5	14.42	93.0	14.57	94.1	14.67	96.8	14.74	99.4	14.83
	27	71.7	11.01	85.4	14.22	90.3	15.05	91.5	15.16	93.0	15.28	95.5	15.35	97.9	15.45
	29	71.7	11.73	85.4	15.20	88.9	15.68	90.1	15.78	91.5	15.89	94.1	15.96	96.8	16.06
	31	71.7	12.52	85.1	16.01	87.4	16.29	88.9	16.41	90.1	16.49	92.6	16.58	95.2	16.68
	33	71.7	13.34	83.6	16.63	86.3	16.92	87.7	17.02	88.9	17.11	91.5	17.20	93.8	17.30
	35	71.7	14.22	82.1	17.24	84.7	17.54	86.3	17.65	87.7	17.72	90.0	17.81	92.6	17.92
	37	71.7	14.72	81.0	17.57	83.6	17.88	84.7	18.03	86.3	18.10	88.6	18.15	91.2	18.28
	39	71.7	15.23	79.6	17.91	82.1	18.24	83.6	18.38	84.7	18.43	87.4	18.50	90.0	18.63
120	10	66.3	6.59	78.8	8.09	91.7	9.60	98.1	10.38	102.7	10.54	105.1	10.59	107.5	10.62
	12	66.3	6.76	78.8	8.35	91.7	9.99	98.1	10.59	101.3	10.94	103.6	11.07	106.0	11.11
	14	66.3	7.00	78.8	8.64	91.7	10.39	98.1	11.00	99.9	11.34	102.5	11.50	104.8	11.60
	16	66.3	7.26	78.8	8.99	91.7	10.79	97.5	11.58	98.7	11.85	101.0	11.90	103.4	12.04
	18	66.3	7.54	78.8	9.40	91.7	11.45	96.1	12.23	97.3	12.46	99.6	12.51	102.2	12.56
	20	66.3	7.82	78.8	9.96	91.7	12.20	94.9	12.94	96.1	13.08	98.4	13.13	100.8	13.18
	21	66.3	8.06	78.8	10.32	91.7	12.63	94.0	13.24	95.2	13.38	97.8	13.43	100.1	13.49
	23	66.3	8.62	78.8	11.04	91.7	13.47	92.9	13.83	94.0	13.99	96.4	14.04	98.7	14.10
	25	66.3	9.21	78.8	11.83	90.3	14.20	91.4	14.45	92.6	14.59	95.2	14.65	97.5	14.71
	27	66.3	9.83	78.8	12.65	89.1	14.92	90.3	15.05	91.4	15.20	93.8	15.26	96.1	15.33
	29	66.3	10.49	78.8	13.51	87.6	15.55	88.7	15.66	89.9	15.81	92.2	15.88	94.9	15.93
	31	66.3	11.17	78.8	14.42	86.1	16.19	87.6	16.26	88.7	16.42	91.1	16.48	93.4	16.54
	33	66.3	11.90	78.8	15.37	85.0	16.78	86.1	16.87	87.3	17.02	89.6	17.09	92.0	17.16
	35	66.3	12.65	78.8	16.39	83.5	17.43	84.7	17.50	86.1	17.63	88.5	17.70	90.8	17.77
	37	66.3	13.21	78.8	16.79	82.3	17.73	83.5	17.85	84.7	17.91	87.0	18.03	89.4	18.07
	39	66.3	13.77	78.6	17.19	80.9	18.03	82.1	18.16	83.2	18.22	85.9	18.33	88.2	18.38
110	10	60.7	5.93	72.3	7.23	84.0	8.58	89.8	9.29	95.7	10.00	102.9	10.41	105.3	10.44
	12	60.7	6.11	72.3	7.47	84.0	8.94	89.8	9.55	95.7	10.37	101.8	10.81	103.8	10.96
	14	60.7	6.30	72.3	7.81	84.0	9.35	89.8	10.03	95.7	10.89	100.3	11.20	102.7	11.44
	16	60.7	6.53	72.3	8.09	84.0	9.73	89.8	10.46	95.7	11.55	99.2	11.83	101.2	11.92
	18	60.7	6.77	72.3	8.42	84.0	10.29	89.8	11.15	95.7	12.23	97.7	12.44	100.1	12.49
	20	60.7	7.01	72.3	8.85	84.0	10.91	89.8	11.88	94.2	12.91	96.6	13.05	98.5	13.10
	21	60.7	7.16	72.3	9.11	84.0	11.30	89.8	12.31	93.6	13.21	95.7	13.36	98.0	13.41
	23	60.7	7.64	72.3	9.76	84.0	12.13	89.8	13.06	92.2	13.83	94.5	13.96	96.6	14.01
	25	60.7	8.16	72.3	10.42	84.0	12.98	89.8	13.84	91.0	14.42	93.1	14.57	95.4	14.62
	27	60.7	8.72	72.3	11.14	84.0	13.89	88.4	14.60	89.6	15.10	91.9	15.17	93.9	15.23
	29	60.7	9.31	72.3	11.90	84.0	14.82	87.2	15.22	88.4	15.71	90.4	15.78	92.7	15.84
	31	60.7	9.90	72.3	12.68	84.0	15.83	85.7	15.89	86.9	16.31	89.2	16.39	91.3	16.44
	33	60.7	10.56	72.3	13.51	83.4	16.71	84.5	16.61	85.7	16.92	87.8	16.99	90.1	17.06
	35	60.7	11.21	72.3	14.42	81.9	17.30	83.1	17.37	84.3	17.53	86.3	17.60	88.7	17.67
	37	60.7	11.65	72.3	14.85	80.8	17.60	81.9	17.63	82.8	17.78	85.2	17.90	87.2	17.95
	39	60.7	12.10	72.3	15.30	79.3	17.89	80.5	17.92	81.7	18.06	83.7	18.17	86.1	18.22
100	10	52.9	5.71	63.0	6.95	73.3	8.24	78.4	8.90	83.5	9.56	93.8	10.65	103.1	10.73
	12	52.9	5.90	63.0	7.22	73.3	8.51	78.4	9.14	83.5	9.87	93.8	11.22	101.7	11.33
	14	52.9	6.08	63.0	7.51	73.3	8.87	78.4	9.53	83.5	10.29	93.8	11.85	100.5	11.95
	16	52.9	6.27	63.0	7.76	73.3	9.26	78.4	9.99	83.5	10.85	93.8	12.41	99.1	12.59
	18	52.9	6.45	63.0	8.05	73.3	9.61	78.4	10.48	83.5	11.50	93.8	13.12	97.7	13.22
	20	52.9	6.68	63.0	8.36	73.3	10.17	78.4	11.22	83.5	12.31	93.8	13.75	96.3	13.85
	21	52.9	6.82	63.0	8.56	73.3	10.51	78.4	11.61	83.5	12.77	93.8	14.06	95.7	14.17
	23	52.9	7.22	63.0	9.15	73.3	11.29	78.4	12.45	83.5	13.68	92.4	14.72	94.5	14.84
	25	52.9	7.68	63.0	9.75	73.3	12.06	78.4	13.33	83.5	14.62	91.2	15.36	92.9	15.48
	27	52.9	8.21	63.0	10.41	73.3	12.90	78.4	14.24	83.5	15.55	89.8	16.07	91.9	16.21
	29	52.9	8.73	63.0	11.12	73.3	13.78	78.4	15.22	83.5	16.46	88.5	16.72	90.5	16.85
	31	52.9	9.33	63.0	11.85	73.3	14.70	78.4	16.24	83.5	17.29	87.1	17.36	89.1	17.51
	33	52.9	9.89	63.0	12.63	73.3	15.68	78.4	17.33	83.5	17.94	85.8	18.02	87.7	18.16
	35	52.9	10.51	63.0	13.43	73.3	16.70	78.4	18.48	82.2	18.60	84.5	18.67	86.3	18.82
	37	52.9	10.94	63.0	13.99	73.3	17.17	78.4	18.80	80.8	18.89	83.1	18.97	85.1	19.14
	39	52.9	11.36	63.0	14.55	73.3	17.62	78.4	19.11	79.5	19.19	81.8	19.26	83.7	19.44

Notes:

1. TC: Total Capacity(kW) PI : Power Input(kW)(Comp. + Outdoor fan motor)
2. Capacity tables show the average value of conditions which may occur.

7. Capacity Tables

Cooling Capacity(28HP)

Combination (%)	Outdoor air temp °C DB	Indoor air temp. (DB/WB, °C)													
		20		23		26		27		28		30		32	
		14		16		18		19		20		22		24	
		TC	PI	TC	PI	TC	PI	TC	PI	TC	PI	TC	PI	TC	PI
90	10	47.6	5.12	56.9	6.18	66.1	7.28	70.5	7.85	75.1	8.45	84.3	9.45	93.5	10.03
	12	47.6	5.20	56.9	6.27	66.1	7.40	70.5	8.00	75.1	8.63	84.3	9.64	93.5	10.45
	14	47.6	5.29	56.9	6.40	66.1	7.57	70.5	8.17	75.1	8.79	84.3	9.83	93.5	10.80
	16	47.6	5.39	56.9	6.53	66.1	7.72	70.5	8.32	75.1	8.96	84.3	10.02	93.5	11.10
	18	47.6	5.48	56.9	6.65	66.1	7.85	70.5	8.51	75.1	9.14	84.3	10.24	93.5	11.66
	20	47.6	5.58	56.9	6.78	66.1	8.00	70.5	8.67	75.1	9.49	84.3	10.95	93.5	12.22
	21	47.6	5.64	56.9	6.84	66.1	8.17	70.5	8.96	75.1	9.83	84.3	11.36	93.5	12.50
	23	47.6	5.77	56.9	7.12	66.1	8.73	70.5	9.61	75.1	10.53	84.3	12.17	92.2	13.09
	25	47.6	6.05	56.9	7.59	66.1	9.33	70.5	10.28	75.1	11.25	84.3	13.01	90.9	13.65
	27	47.6	6.46	56.9	8.10	66.1	9.96	70.5	10.96	75.1	12.04	84.3	13.84	89.6	14.29
	29	47.6	6.84	56.9	8.63	66.1	10.65	70.5	11.73	75.1	12.86	84.3	14.80	88.2	14.87
	31	47.6	7.28	56.9	9.20	66.1	11.34	70.5	12.48	75.1	13.71	84.3	15.38	86.9	15.44
	33	47.6	7.76	56.9	9.80	66.1	12.11	70.5	13.31	75.1	14.54	84.3	15.96	85.6	16.01
	35	47.6	8.22	56.9	10.40	66.1	12.86	70.5	14.18	75.1	15.42	82.8	16.54	84.2	16.59
	37	47.6	8.73	56.9	11.06	66.1	13.72	70.5	15.07	75.1	16.27	81.5	17.03	82.9	17.11
	39	47.6	9.25	56.9	11.77	66.1	14.51	70.5	15.88	75.1	17.10	80.2	17.47	81.6	17.57
80	10	42.3	4.84	50.4	5.82	58.5	6.82	62.7	7.37	66.9	7.91	75.1	9.01	83.1	9.63
	12	42.3	4.95	50.4	5.88	58.5	6.96	62.7	7.50	66.9	8.03	75.1	9.17	83.1	9.97
	14	42.3	5.01	50.4	6.02	58.5	7.06	62.7	7.63	66.9	8.17	75.1	9.35	83.1	10.17
	16	42.3	5.07	50.4	6.12	58.5	7.20	62.7	7.77	66.9	8.34	75.1	9.55	83.1	10.37
	18	42.3	5.18	50.4	6.22	58.5	7.33	62.7	7.91	66.9	8.51	75.1	9.72	83.1	10.59
	20	42.3	5.28	50.4	6.35	58.5	7.50	62.7	8.07	66.9	8.67	75.1	10.09	83.1	11.33
	21	42.3	5.31	50.4	6.42	58.5	7.56	62.7	8.17	66.9	8.88	75.1	10.40	83.1	11.75
	23	42.3	5.42	50.4	6.52	58.5	7.91	62.7	8.67	66.9	9.48	75.1	10.99	83.1	12.60
	25	42.3	5.62	50.4	6.96	58.5	8.48	62.7	9.28	66.9	10.16	75.1	11.75	83.1	13.46
	27	42.3	5.95	50.4	7.39	58.5	9.05	62.7	9.92	66.9	10.83	75.1	12.49	83.1	14.22
	29	42.3	6.32	50.4	7.91	58.5	9.62	62.7	10.56	66.9	11.56	75.1	13.39	83.1	14.87
	31	42.3	6.73	50.4	8.37	58.5	10.26	62.7	11.26	66.9	12.30	75.1	14.21	83.1	15.44
	33	42.3	7.13	50.4	8.95	58.5	10.93	62.7	12.01	66.9	13.12	75.1	14.97	83.1	16.01
	35	42.3	7.56	50.4	9.48	58.5	11.63	62.7	12.77	66.9	13.98	75.1	15.87	82.3	16.59
	37	42.3	8.00	50.4	10.09	58.5	12.34	62.7	13.58	66.9	14.86	75.1	16.71	81.0	17.11
	39	42.3	8.46	50.4	10.66	58.5	13.07	62.7	14.31	66.9	15.81	75.1	17.26	79.6	17.57
70	10	36.9	4.33	44.3	5.14	51.3	5.96	54.9	6.44	58.5	6.88	65.5	7.83	72.8	8.76
	12	36.9	4.39	44.3	5.21	51.3	6.10	54.9	6.54	58.5	7.02	65.5	7.97	72.8	8.93
	14	36.9	4.46	44.3	5.28	51.3	6.20	54.9	6.64	58.5	7.12	65.5	8.14	72.8	9.09
	16	36.9	4.53	44.3	5.38	51.3	6.31	54.9	6.78	58.5	7.26	65.5	8.28	72.8	9.28
	18	36.9	4.60	44.3	5.49	51.3	6.44	54.9	6.92	58.5	7.39	65.5	8.41	72.8	9.45
	20	36.9	4.67	44.3	5.59	51.3	6.54	54.9	7.05	58.5	7.57	65.5	8.62	72.8	9.81
	21	36.9	4.74	44.3	5.63	51.3	6.61	54.9	7.12	58.5	7.64	65.5	8.76	72.8	10.12
	23	36.9	4.81	44.3	5.75	51.3	6.75	54.9	7.36	58.5	8.01	65.5	9.37	72.8	10.68
	25	36.9	4.87	44.3	5.96	51.3	7.19	54.9	7.87	58.5	8.55	65.5	10.02	72.8	11.43
	27	36.9	5.14	44.3	6.38	51.3	7.67	54.9	8.35	58.5	9.13	65.5	10.70	72.8	12.15
	29	36.9	5.49	44.3	6.75	51.3	8.14	54.9	8.90	58.5	9.71	65.5	11.41	72.8	13.02
	31	36.9	5.82	44.3	7.19	51.3	8.69	54.9	9.51	58.5	10.36	65.5	12.16	72.8	13.82
	33	36.9	6.17	44.3	7.60	51.3	9.23	54.9	10.09	58.5	11.01	65.5	12.95	72.8	14.56
	35	36.9	6.50	44.3	8.11	51.3	9.81	54.9	10.73	58.5	11.73	65.5	13.79	72.8	15.44
	37	36.9	6.92	44.3	8.59	51.3	10.42	54.9	11.41	58.5	12.47	65.5	14.68	72.8	16.29
	39	36.9	7.27	44.3	9.07	51.3	11.03	54.9	12.04	58.5	13.21	65.5	15.56	72.8	16.96
60	10	31.7	3.80	37.8	4.45	43.9	5.17	47.1	5.56	50.1	5.90	56.3	6.69	62.5	7.49
	12	31.7	3.87	37.8	4.52	43.9	5.24	47.1	5.63	50.1	6.00	56.3	6.80	62.5	7.63
	14	31.7	3.90	37.8	4.59	43.9	5.35	47.1	5.73	50.1	6.11	56.3	6.94	62.5	7.77
	16	31.7	3.97	37.8	4.70	43.9	5.42	47.1	5.83	50.1	6.25	56.3	7.08	62.5	7.91
	18	31.7	4.04	37.8	4.77	43.9	5.52	47.1	5.93	50.1	6.35	56.3	7.18	62.5	8.08
	20	31.7	4.11	37.8	4.84	43.9	5.63	47.1	6.04	50.1	6.46	56.3	7.32	62.5	8.25
	21	31.7	4.15	37.8	4.87	43.9	5.70	47.1	6.11	50.1	6.53	56.3	7.42	62.5	8.32
	23	31.7	4.22	37.8	4.97	43.9	5.77	47.1	6.21	50.1	6.66	56.3	7.70	62.5	8.84
	25	31.7	4.28	37.8	5.07	43.9	6.00	47.1	6.53	50.1	7.08	56.3	8.21	62.5	9.46
	27	31.7	4.42	37.8	5.35	43.9	6.39	47.1	6.94	50.1	7.52	56.3	8.74	62.5	10.08
	29	31.7	4.70	37.8	5.70	43.9	6.80	47.1	7.38	50.1	8.01	56.3	9.32	62.5	10.77
	31	31.7	4.97	37.8	6.04	43.9	7.22	47.1	7.87	50.1	8.53	56.3	9.94	62.5	11.46
	33	31.7	5.24	37.8	6.39	43.9	7.66	47.1	8.35	50.1	9.08	56.3	10.56	62.5	12.22
	35	31.7	5.56	37.8	6.80	43.9	8.14	47.1	8.88	50.1	9.64	56.3	11.25	62.5	12.98
	37	31.7	5.86	37.8	7.18	43.9	8.63	47.1	9.43	50.1	10.22	56.3	11.95	62.5	13.81
	39	31.7	6.18	37.8	7.57	43.9	9.13	47.1	10.01	50.1	10.78	56.3	12.68	62.5	14.65

Notes:

1. TC: Total Capacity(kW) PI : Power Input(kW)(Comp. + Outdoor fan motor)
2. Capacity tables show the average value of conditions which may occur.

7. Capacity Tables

Cooling Capacity(28HP)

Combination (%)	Outdoor air temp °C DB	Indoor air temp. (DB/WB, °C)													
		20		23		26		27		28		30		32	
		14		16		18		19		20		22		24	
		TC	PI	TC	PI	TC	PI	TC	PI	TC	PI	TC	PI	TC	PI
50	10	26.4	3.32	31.7	3.85	36.7	4.37	39.2	4.69	41.7	4.97	46.7	5.60	52.1	6.22
	12	26.4	3.35	31.7	3.88	36.7	4.44	39.2	4.76	41.7	5.07	46.7	5.70	52.1	6.33
	14	26.4	3.39	31.7	3.95	36.7	4.51	39.2	4.83	41.7	5.14	46.7	5.77	52.1	6.43
	16	26.4	3.46	31.7	4.03	36.7	4.58	39.2	4.93	41.7	5.21	46.7	5.88	52.1	6.54
	18	26.4	3.50	31.7	4.06	36.7	4.65	39.2	5.00	41.7	5.31	46.7	5.98	52.1	6.68
	20	26.4	3.53	31.7	4.12	36.7	4.76	39.2	5.07	41.7	5.42	46.7	6.08	52.1	6.81
	21	26.4	3.57	31.7	4.16	36.7	4.79	39.2	5.14	41.7	5.45	46.7	6.15	52.1	6.88
	23	26.4	3.64	31.7	4.23	36.7	4.86	39.2	5.21	41.7	5.56	46.7	6.26	52.1	7.03
	25	26.4	3.67	31.7	4.30	36.7	4.97	39.2	5.31	41.7	5.74	46.7	6.58	52.1	7.52
	27	26.4	3.74	31.7	4.44	36.7	5.24	39.2	5.67	41.7	6.08	46.7	7.03	52.1	8.01
	29	26.4	3.95	31.7	4.72	36.7	5.56	39.2	6.01	41.7	6.47	46.7	7.45	52.1	8.50
	31	26.4	4.16	31.7	5.00	36.7	5.90	39.2	6.36	41.7	6.88	46.7	7.93	52.1	9.06
	33	26.4	4.40	31.7	5.28	36.7	6.26	39.2	6.75	41.7	7.31	46.7	8.43	52.1	9.65
	35	26.4	4.65	31.7	5.60	36.7	6.61	39.2	7.17	41.7	7.72	46.7	8.91	52.1	10.25
	37	26.4	4.93	31.7	5.90	36.7	6.99	39.2	7.59	41.7	8.18	46.7	9.51	52.1	10.87
	39	26.4	5.15	31.7	6.21	36.7	7.42	39.2	8.01	41.7	8.61	46.7	10.03	52.1	11.52

Notes:

1. TC: Total Capacity(kW) PI : Power Input(kW)(Comp. + Outdoor fan motor)
2. Capacity tables show the average value of conditions which may occur.

7. Capacity Tables

ARUB300LTE4

Cooling Capacity(30HP)

Combination (%)	Outdoor air temp °C DB	Indoor air temp. (DB/WB, °C)													
		20		23		26		27		28		30		32	
		14		16		18		19		20		22		24	
		TC	PI	TC	PI	TC	PI	TC	PI	TC	PI	TC	PI	TC	PI
130	10	76.8	7.09	91.5	8.66	106.2	10.04	110.2	10.24	111.5	10.36	114.3	10.41	117.0	10.48
	12	76.8	7.26	91.5	8.97	106.2	10.46	108.7	10.53	110.5	10.73	112.7	10.83	115.5	10.89
	14	76.8	7.51	91.5	9.29	105.8	10.85	107.4	10.93	108.7	11.12	111.5	11.22	114.3	11.31
	16	76.8	7.78	91.5	9.61	104.6	11.34	105.8	11.44	107.0	11.53	109.9	11.63	112.7	11.73
	18	76.8	8.10	91.5	10.17	103.0	11.95	104.3	12.04	105.8	12.12	108.7	12.17	111.5	12.24
	20	76.8	8.46	91.5	10.84	101.5	12.51	103.2	12.63	104.3	12.70	107.0	12.77	109.9	12.85
	21	76.8	8.68	91.5	11.22	100.8	12.80	102.4	12.93	103.7	13.00	106.5	13.07	109.3	13.14
	23	76.8	9.32	91.5	12.04	99.5	13.35	100.8	13.48	102.3	13.59	104.9	13.66	107.7	13.74
	25	76.8	9.95	91.5	12.87	98.0	13.95	99.7	14.09	100.8	14.18	103.7	14.26	106.5	14.34
	27	76.8	10.65	91.5	13.75	96.8	14.55	98.0	14.65	99.7	14.77	102.3	14.85	104.9	14.94
	29	76.8	11.34	91.5	14.70	95.2	15.16	96.6	15.26	98.0	15.36	100.8	15.44	103.7	15.53
	31	76.8	12.11	91.2	15.48	93.7	15.75	95.2	15.87	96.6	15.95	99.3	16.04	102.0	16.13
	33	76.8	12.90	89.6	16.08	92.4	16.36	93.9	16.46	95.2	16.55	98.0	16.63	100.5	16.73
	35	76.8	13.75	88.0	16.67	90.8	16.96	92.4	17.07	93.9	17.14	96.5	17.22	99.3	17.33
	37	76.8	14.24	86.8	16.99	89.6	17.29	90.8	17.43	92.4	17.50	94.9	17.55	97.7	17.68
	39	76.8	14.72	85.2	17.32	88.0	17.63	89.6	17.77	90.8	17.83	93.7	17.89	96.5	18.02
120	10	71.0	6.37	84.5	7.82	98.2	9.29	105.1	10.04	110.1	10.19	112.6	10.24	115.2	10.27
	12	71.0	6.54	84.5	8.07	98.2	9.66	105.1	10.24	108.5	10.58	111.0	10.70	113.5	10.75
	14	71.0	6.77	84.5	8.36	98.2	10.05	105.1	10.63	107.0	10.96	109.8	11.12	112.3	11.22
	16	71.0	7.02	84.5	8.70	98.2	10.44	104.5	11.20	105.8	11.46	108.2	11.51	110.7	11.65
	18	71.0	7.29	84.5	9.09	98.2	11.07	103.0	11.83	104.2	12.05	106.7	12.10	109.5	12.15
	20	71.0	7.56	84.5	9.63	98.2	11.80	101.7	12.51	103.0	12.65	105.4	12.70	108.0	12.75
	21	71.0	7.80	84.5	9.98	98.2	12.21	100.7	12.80	102.0	12.94	104.8	12.99	107.3	13.04
	23	71.0	8.34	84.5	10.68	98.2	13.02	99.5	13.38	100.7	13.53	103.2	13.58	105.8	13.63
	25	71.0	8.90	84.5	11.44	96.7	13.73	97.9	13.97	99.2	14.11	102.0	14.17	104.5	14.22
	27	71.0	9.51	84.5	12.23	95.4	14.43	96.7	14.55	97.9	14.70	100.5	14.75	103.0	14.82
	29	71.0	10.14	84.5	13.06	93.8	15.04	95.1	15.14	96.3	15.29	98.8	15.35	101.7	15.41
	31	71.0	10.80	84.5	13.94	92.3	15.65	93.8	15.72	95.1	15.87	97.6	15.94	100.1	16.00
	33	71.0	11.50	84.5	14.87	91.0	16.23	92.3	16.32	93.5	16.46	96.0	16.53	98.5	16.60
	35	71.0	12.23	84.5	15.85	89.5	16.85	90.7	16.92	92.3	17.05	94.8	17.12	97.3	17.19
	37	71.0	12.77	84.5	16.23	88.2	17.14	89.5	17.26	90.7	17.32	93.2	17.43	95.7	17.48
	39	71.0	13.31	84.2	16.62	86.7	17.44	87.9	17.56	89.2	17.62	92.0	17.73	94.5	17.78
110	10	65.0	5.73	77.5	6.99	90.0	8.30	96.2	8.98	102.5	9.67	110.3	10.06	112.8	10.10
	12	65.0	5.91	77.5	7.22	90.0	8.65	96.2	9.24	102.5	10.03	109.0	10.45	111.2	10.60
	14	65.0	6.10	77.5	7.55	90.0	9.04	96.2	9.70	102.5	10.53	107.5	10.83	110.0	11.07
	16	65.0	6.31	77.5	7.82	90.0	9.41	96.2	10.12	102.5	11.17	106.2	11.44	108.4	11.53
	18	65.0	6.55	77.5	8.15	90.0	9.95	96.2	10.78	102.5	11.83	104.7	12.03	107.2	12.07
	20	65.0	6.78	77.5	8.56	90.0	10.55	96.2	11.49	100.9	12.48	103.5	12.62	105.6	12.67
	21	65.0	6.93	77.5	8.81	90.0	10.93	96.2	11.90	100.3	12.77	102.5	12.91	105.0	12.96
	23	65.0	7.38	77.5	9.44	90.0	11.73	96.2	12.63	98.7	13.38	101.2	13.50	103.5	13.55
	25	65.0	7.89	77.5	10.07	90.0	12.55	96.2	13.38	97.5	13.94	99.7	14.09	102.2	14.14
	27	65.0	8.43	77.5	10.77	90.0	13.43	94.7	14.12	96.0	14.60	98.4	14.67	100.6	14.73
	29	65.0	9.00	77.5	11.50	90.0	14.33	93.4	14.72	94.7	15.19	96.8	15.26	99.3	15.31
	31	65.0	9.57	77.5	12.26	90.0	15.31	91.8	15.37	93.1	15.77	95.6	15.84	97.8	15.90
	33	65.0	10.21	77.5	13.06	89.3	16.16	90.6	16.06	91.8	16.36	94.0	16.43	96.5	16.50
	35	65.0	10.84	77.5	13.94	87.8	16.73	89.0	16.80	90.3	16.95	92.5	17.02	95.0	17.09
	37	65.0	11.26	77.5	14.36	86.5	17.02	87.8	17.05	88.7	17.19	91.2	17.30	93.4	17.35
	39	65.0	11.70	77.5	14.79	85.0	17.30	86.2	17.33	87.5	17.46	89.7	17.57	92.2	17.62
100	10	56.7	5.72	67.5	6.96	78.6	8.25	84.0	8.91	89.4	9.58	100.5	10.67	110.4	10.75
	12	56.7	5.91	67.5	7.23	78.6	8.53	84.0	9.16	89.4	9.89	100.5	11.23	108.9	11.35
	14	56.7	6.09	67.5	7.52	78.6	8.89	84.0	9.55	89.4	10.31	100.5	11.87	107.7	11.97
	16	56.7	6.28	67.5	7.77	78.6	9.27	84.0	10.01	89.4	10.87	100.5	12.43	106.2	12.61
	18	56.7	6.46	67.5	8.06	78.6	9.62	84.0	10.50	89.4	11.52	100.5	13.14	104.7	13.24
	20	56.7	6.69	67.5	8.37	78.6	10.18	84.0	11.24	89.4	12.33	100.5	13.77	103.2	13.88
	21	56.7	6.83	67.5	8.57	78.6	10.53	84.0	11.62	89.4	12.79	100.5	14.09	102.6	14.19
	23	56.7	7.23	67.5	9.16	78.6	11.31	84.0	12.47	89.4	13.70	99.0	14.75	101.3	14.87
	25	56.7	7.69	67.5	9.77	78.6	12.08	84.0	13.35	89.4	14.65	97.7	15.38	99.6	15.50
	27	56.7	8.22	67.5	10.43	78.6	12.92	84.0	14.26	89.4	15.58	96.2	16.10	98.4	16.23
	29	56.7	8.74	67.5	11.13	78.6	13.80	84.0	15.24	89.4	16.48	94.8	16.75	96.9	16.88
	31	56.7	9.35	67.5	11.87	78.6	14.72	84.0	16.26	89.4	17.32	93.3	17.39	95.4	17.54
	33	56.7	9.91	67.5	12.65	78.6	15.70	84.0	17.36	89.4	17.97	92.0	18.05	93.9	18.19
	35	56.7	10.53	67.5	13.45	78.6	16.72	84.0	18.51	88.0	18.63	90.5	18.70	92.4	18.85
	37	56.7	10.96	67.5	14.01	78.6	17.19	84.0	18.83	86.6	18.92	89.0	19.00	91.2	19.17
	39	56.7	11.38	67.5	14.57	78.6	17.65	84.0	19.14	85.2	19.22	87.7	19.29	89.7	19.47

Notes:
 1. TC: Total Capacity(kW) PI : Power Input(kW)(Comp. + Outdoor fan motor)
 2. Capacity tables show the average value of conditions which may occur.

7. Capacity Tables

Cooling Capacity(30HP)

Combination (%)	Outdoor air temp °C DB	Indoor air temp. (DB/WB, °C)													
		20		23		26		27		28		30		32	
		14		16		18		19		20		22		24	
		TC	PI	TC	PI	TC	PI	TC	PI	TC	PI	TC	PI	TC	PI
90	10	51.0	5.16	60.9	6.27	70.8	7.42	75.6	8.01	80.4	8.62	90.3	9.60	100.2	9.70
	12	51.0	5.30	60.9	6.46	70.8	7.62	75.6	8.20	80.4	8.85	90.3	9.99	100.2	10.24
	14	51.0	5.44	60.9	6.67	70.8	7.88	75.6	8.48	80.4	9.15	90.3	10.26	100.2	10.80
	16	51.0	5.58	60.9	6.82	70.8	8.06	75.6	8.68	80.4	9.35	90.3	10.46	100.2	11.33
	18	51.0	5.72	60.9	6.95	70.8	8.20	75.6	8.88	80.4	9.54	90.3	10.69	100.2	11.90
	20	51.0	5.82	60.9	7.07	70.8	8.36	75.6	9.05	80.4	9.91	90.3	11.44	100.2	12.48
	21	51.0	5.89	60.9	7.14	70.8	8.53	75.6	9.35	80.4	10.26	90.3	11.86	100.2	12.75
	23	51.0	6.02	60.9	7.43	70.8	9.11	75.6	10.04	80.4	10.99	90.3	12.70	98.8	13.36
	25	51.0	6.32	60.9	7.93	70.8	9.74	75.6	10.73	80.4	11.74	90.3	13.58	97.4	13.93
	27	51.0	6.75	60.9	8.46	70.8	10.39	75.6	11.45	80.4	12.57	90.3	14.33	96.0	14.59
	29	51.0	7.14	60.9	9.01	70.8	11.12	75.6	12.24	80.4	13.42	90.3	15.07	94.5	15.17
	31	51.0	7.60	60.9	9.61	70.8	11.84	75.6	13.03	80.4	14.32	90.3	15.66	93.1	15.76
	33	51.0	8.10	60.9	10.23	70.8	12.64	75.6	13.89	80.4	15.18	90.3	16.24	91.7	16.34
	35	51.0	8.58	60.9	10.86	70.8	13.42	75.6	14.80	80.4	16.10	88.7	16.83	90.3	16.93
	37	51.0	9.11	60.9	11.55	70.8	14.32	75.6	15.73	80.4	16.84	87.3	17.14	88.8	17.29
	39	51.0	9.65	60.9	12.29	70.8	15.15	75.6	16.58	80.4	17.34	85.9	17.41	87.4	17.57
80	10	45.3	5.08	54.0	6.13	62.7	7.19	67.2	7.76	71.7	8.33	80.4	9.47	89.1	9.70
	12	45.3	5.21	54.0	6.20	62.7	7.34	67.2	7.91	71.7	8.46	80.4	9.67	89.1	10.24
	14	45.3	5.27	54.0	6.34	62.7	7.44	67.2	8.04	71.7	8.61	80.4	9.85	89.1	10.66
	16	45.3	5.35	54.0	6.44	62.7	7.58	67.2	8.18	71.7	8.79	80.4	10.06	89.1	10.93
	18	45.3	5.46	54.0	6.56	62.7	7.72	67.2	8.33	71.7	8.96	80.4	10.24	89.1	11.16
	20	45.3	5.56	54.0	6.69	62.7	7.91	67.2	8.51	71.7	9.14	80.4	10.63	89.1	11.94
	21	45.3	5.59	54.0	6.77	62.7	7.97	67.2	8.61	71.7	9.36	80.4	10.96	89.1	12.38
	23	45.3	5.71	54.0	6.87	62.7	8.33	67.2	9.14	71.7	9.99	80.4	11.58	89.1	13.23
	25	45.3	5.92	54.0	7.34	62.7	8.93	67.2	9.78	71.7	10.70	80.4	12.38	89.1	13.93
	27	45.3	6.27	54.0	7.79	62.7	9.53	67.2	10.45	71.7	11.41	80.4	13.16	89.1	14.59
	29	45.3	6.66	54.0	8.33	62.7	10.13	67.2	11.13	71.7	12.18	80.4	14.10	89.1	15.17
	31	45.3	7.09	54.0	8.82	62.7	10.81	67.2	11.86	71.7	12.96	80.4	14.97	89.1	15.76
	33	45.3	7.51	54.0	9.43	62.7	11.51	67.2	12.65	71.7	13.82	80.4	15.77	89.1	16.34
	35	45.3	7.97	54.0	9.99	62.7	12.26	67.2	13.46	71.7	14.73	80.4	16.65	88.2	16.93
	37	45.3	8.43	54.0	10.63	62.7	13.00	67.2	14.31	71.7	15.66	80.4	17.14	86.7	17.29
	39	45.3	8.91	54.0	11.23	62.7	13.77	67.2	15.08	71.7	16.66	80.4	17.41	85.3	17.57
70	10	39.6	4.60	47.4	5.47	54.9	6.34	58.8	6.85	62.7	7.31	70.2	8.33	78.0	9.32
	12	39.6	4.67	47.4	5.54	54.9	6.48	58.8	6.95	62.7	7.46	70.2	8.47	78.0	9.49
	14	39.6	4.74	47.4	5.61	54.9	6.59	58.8	7.06	62.7	7.57	70.2	8.65	78.0	9.66
	16	39.6	4.82	47.4	5.72	54.9	6.70	58.8	7.21	62.7	7.72	70.2	8.80	78.0	9.87
	18	39.6	4.89	47.4	5.83	54.9	6.85	58.8	7.35	62.7	7.86	70.2	8.94	78.0	10.04
	20	39.6	4.96	47.4	5.94	54.9	6.95	58.8	7.50	62.7	8.04	70.2	9.16	78.0	10.43
	21	39.6	5.04	47.4	5.98	54.9	7.03	58.8	7.57	62.7	8.12	70.2	9.31	78.0	10.76
	23	39.6	5.11	47.4	6.12	54.9	7.17	58.8	7.82	62.7	8.51	70.2	9.96	78.0	11.36
	25	39.6	5.17	47.4	6.34	54.9	7.65	58.8	8.37	62.7	9.09	70.2	10.65	78.0	12.15
	27	39.6	5.47	47.4	6.78	54.9	8.15	58.8	8.87	62.7	9.71	70.2	11.37	78.0	12.92
	29	39.6	5.83	47.4	7.17	54.9	8.65	58.8	9.46	62.7	10.32	70.2	12.13	78.0	13.84
	31	39.6	6.19	47.4	7.65	54.9	9.24	58.8	10.11	62.7	11.01	70.2	12.92	78.0	14.68
	33	39.6	6.56	47.4	8.07	54.9	9.81	58.8	10.72	62.7	11.70	70.2	13.76	78.0	15.48
	35	39.6	6.91	47.4	8.62	54.9	10.43	58.8	11.41	62.7	12.46	70.2	14.66	78.0	16.41
	37	39.6	7.35	47.4	9.13	54.9	11.08	58.8	12.13	62.7	13.26	70.2	15.61	78.0	17.17
	39	39.6	7.73	47.4	9.64	54.9	11.73	58.8	12.80	62.7	14.04	70.2	16.54	78.0	17.57
60	10	33.9	4.07	40.5	4.77	47.1	5.55	50.4	5.96	53.7	6.33	60.3	7.18	66.9	8.03
	12	33.9	4.15	40.5	4.85	47.1	5.62	50.4	6.03	53.7	6.43	60.3	7.29	66.9	8.18
	14	33.9	4.18	40.5	4.92	47.1	5.74	50.4	6.14	53.7	6.55	60.3	7.44	66.9	8.33
	16	33.9	4.25	40.5	5.04	47.1	5.81	50.4	6.25	53.7	6.70	60.3	7.59	66.9	8.48
	18	33.9	4.33	40.5	5.11	47.1	5.92	50.4	6.36	53.7	6.81	60.3	7.69	66.9	8.66
	20	33.9	4.40	40.5	5.19	47.1	6.03	50.4	6.48	53.7	6.92	60.3	7.84	66.9	8.85
	21	33.9	4.44	40.5	5.22	47.1	6.11	50.4	6.55	53.7	7.00	60.3	7.96	66.9	8.92
	23	33.9	4.52	40.5	5.32	47.1	6.18	50.4	6.66	53.7	7.14	60.3	8.25	66.9	9.47
	25	33.9	4.59	40.5	5.44	47.1	6.43	50.4	7.00	53.7	7.59	60.3	8.81	66.9	10.14
	27	33.9	4.74	40.5	5.74	47.1	6.85	50.4	7.44	53.7	8.06	60.3	9.37	66.9	10.81
	29	33.9	5.04	40.5	6.11	47.1	7.29	50.4	7.92	53.7	8.58	60.3	9.99	66.9	11.55
	31	33.9	5.32	40.5	6.48	47.1	7.74	50.4	8.43	53.7	9.14	60.3	10.66	66.9	12.29
	33	33.9	5.62	40.5	6.85	47.1	8.21	50.4	8.95	53.7	9.74	60.3	11.32	66.9	13.10
	35	33.9	5.96	40.5	7.29	47.1	8.73	50.4	9.51	53.7	10.33	60.3	12.06	66.9	13.92
	37	33.9	6.29	40.5	7.69	47.1	9.25	50.4	10.11	53.7	10.95	60.3	12.81	66.9	14.81
	39	33.9	6.63	40.5	8.11	47.1	9.79	50.4	10.73	53.7	11.55	60.3	13.60	66.9	15.70

Notes:
 1. TC: Total Capacity(kW) PI : Power Input(kW)(Comp. + Outdoor fan motor)
 2. Capacity tables show the average value of conditions which may occur.

7. Capacity Tables

Cooling Capacity(30HP)

Combination (%)	Outdoor air temp °C DB	Indoor air temp. (DB/WB, °C)													
		20		23		26		27		28		30		32	
		14		16		18		19		20		22		24	
		TC	PI	TC	PI	TC	PI	TC	PI	TC	PI	TC	PI	TC	PI
50	10	28.3	3.59	33.9	4.16	39.3	4.73	42.0	5.07	44.7	5.37	50.1	6.05	55.8	6.72
	12	28.3	3.62	33.9	4.19	39.3	4.80	42.0	5.14	44.7	5.48	50.1	6.16	55.8	6.84
	14	28.3	3.67	33.9	4.27	39.3	4.88	42.0	5.22	44.7	5.56	50.1	6.23	55.8	6.95
	16	28.3	3.74	33.9	4.35	39.3	4.95	42.0	5.32	44.7	5.63	50.1	6.35	55.8	7.07
	18	28.3	3.78	33.9	4.38	39.3	5.02	42.0	5.41	44.7	5.74	50.1	6.47	55.8	7.22
	20	28.3	3.82	33.9	4.46	39.3	5.14	42.0	5.48	44.7	5.86	50.1	6.57	55.8	7.37
	21	28.3	3.86	33.9	4.50	39.3	5.17	42.0	5.56	44.7	5.89	50.1	6.65	55.8	7.44
	23	28.3	3.93	33.9	4.58	39.3	5.25	42.0	5.63	44.7	6.01	50.1	6.77	55.8	7.60
	25	28.3	3.97	33.9	4.65	39.3	5.37	42.0	5.74	44.7	6.20	50.1	7.11	55.8	8.13
	27	28.3	4.04	33.9	4.80	39.3	5.67	42.0	6.13	44.7	6.57	50.1	7.60	55.8	8.66
	29	28.3	4.27	33.9	5.10	39.3	6.01	42.0	6.50	44.7	6.99	50.1	8.05	55.8	9.18
	31	28.3	4.50	33.9	5.41	39.3	6.38	42.0	6.87	44.7	7.44	50.1	8.57	55.8	9.79
	33	28.3	4.76	33.9	5.71	39.3	6.77	42.0	7.29	44.7	7.90	50.1	9.11	55.8	10.43
	35	28.3	5.02	33.9	6.05	39.3	7.14	42.0	7.75	44.7	8.35	50.1	9.63	55.8	11.08
	37	28.3	5.32	33.9	6.38	39.3	7.56	42.0	8.20	44.7	8.84	50.1	10.28	55.8	11.75
	39	28.3	5.57	33.9	6.72	39.3	8.02	42.0	8.66	44.7	9.30	50.1	10.84	55.8	12.45

Notes:

1. TC: Total Capacity(kW) PI : Power Input(kW)(Comp. + Outdoor fan motor)
2. Capacity tables show the average value of conditions which may occur.

7. Capacity Tables

ARUB320LTE4

Cooling Capacity(32HP)

Combination (%)	Outdoor air temp °C DB	Indoor air temp. (DB/WB, °C)													
		20		23		26		27		28		30		32	
		14		16		18		19		20		22		24	
		TC	PI	TC	PI	TC	PI	TC	PI	TC	PI	TC	PI	TC	PI
130	10	81.9	7.81	97.6	9.53	113.3	11.06	117.6	11.28	118.9	11.41	121.9	11.46	124.9	11.54
	12	81.9	8.00	97.6	9.88	113.3	11.52	115.9	11.59	117.9	11.81	120.2	11.93	123.2	11.99
	14	81.9	8.26	97.6	10.23	112.9	11.95	114.6	12.03	115.9	12.24	118.9	12.35	121.9	12.45
	16	81.9	8.56	97.6	10.59	111.5	12.48	112.9	12.60	114.2	12.69	117.3	12.81	120.2	12.92
	18	81.9	8.92	97.6	11.20	109.9	13.16	111.2	13.26	112.9	13.34	115.9	13.40	118.9	13.48
	20	81.9	9.32	97.6	11.94	108.2	13.78	110.1	13.91	111.2	13.99	114.2	14.06	117.3	14.15
	21	81.9	9.56	97.6	12.35	107.5	14.10	109.3	14.24	110.6	14.31	113.6	14.39	116.6	14.47
	23	81.9	10.26	97.6	13.26	106.2	14.71	107.5	14.85	109.1	14.96	111.9	15.04	114.9	15.14
	25	81.9	10.96	97.6	14.17	104.6	15.36	106.3	15.51	107.5	15.62	110.6	15.70	113.6	15.79
	27	81.9	11.73	97.6	15.14	103.2	16.03	104.6	16.14	106.3	16.27	109.1	16.35	111.9	16.45
	29	81.9	12.49	97.6	16.19	101.6	16.69	103.0	16.80	104.6	16.92	107.5	17.00	110.6	17.10
	31	81.9	13.33	97.3	17.05	99.9	17.35	101.6	17.47	103.0	17.56	105.9	17.66	108.9	17.77
	33	81.9	14.20	95.5	17.71	98.6	18.01	100.2	18.13	101.6	18.22	104.6	18.31	107.2	18.42
	35	81.9	15.14	93.9	18.36	96.9	18.68	98.6	18.79	100.2	18.87	102.9	18.96	105.9	19.08
	37	81.9	15.68	92.6	18.71	95.5	19.04	96.9	19.19	98.6	19.27	101.3	19.33	104.3	19.47
	39	81.9	16.21	90.9	19.07	93.9	19.42	95.5	19.57	96.9	19.63	99.9	19.70	102.9	19.84
120	10	75.8	7.01	90.1	8.61	104.8	10.23	112.1	11.05	117.4	11.22	120.1	11.27	122.9	11.31
	12	75.8	7.20	90.1	8.89	104.8	10.63	112.1	11.28	115.8	11.64	118.4	11.78	121.1	11.83
	14	75.8	7.46	90.1	9.20	104.8	11.06	112.1	11.71	114.1	12.07	117.1	12.24	119.8	12.35
	16	75.8	7.73	90.1	9.58	104.8	11.49	111.5	12.33	112.8	12.62	115.5	12.68	118.1	12.82
	18	75.8	8.03	90.1	10.01	104.8	12.19	109.8	13.03	111.2	13.27	113.8	13.32	116.8	13.38
	20	75.8	8.33	90.1	10.61	104.8	12.99	108.5	13.78	109.8	13.93	112.5	13.98	115.2	14.04
	21	75.8	8.59	90.1	10.99	104.8	13.45	107.5	14.10	108.8	14.25	111.8	14.30	114.4	14.36
	23	75.8	9.18	90.1	11.76	104.8	14.34	106.1	14.73	107.5	14.90	110.1	14.95	112.8	15.01
	25	75.8	9.80	90.1	12.60	103.2	15.12	104.5	15.39	105.8	15.54	108.8	15.60	111.5	15.66
	27	75.8	10.47	90.1	13.47	101.8	15.89	103.2	16.02	104.5	16.19	107.2	16.25	109.8	16.32
	29	75.8	11.17	90.1	14.38	100.1	16.56	101.4	16.68	102.7	16.83	105.4	16.91	108.5	16.97
	31	75.8	11.90	90.1	15.35	98.4	17.24	100.1	17.31	101.4	17.48	104.1	17.55	106.7	17.62
	33	75.8	12.67	90.1	16.37	97.1	17.87	98.4	17.97	99.8	18.13	102.4	18.20	105.1	18.28
	35	75.8	13.47	90.1	17.45	95.5	18.56	96.8	18.63	98.4	18.77	101.1	18.85	103.8	18.93
	37	75.8	14.07	90.1	17.88	94.1	18.88	95.5	19.00	96.8	19.07	99.5	19.19	102.1	19.25
	39	75.8	14.66	89.8	18.30	92.5	19.20	93.8	19.34	95.1	19.40	98.1	19.52	100.8	19.57
110	10	69.3	6.31	82.7	7.70	96.0	9.13	102.7	9.89	109.3	10.65	117.6	11.08	120.3	11.12
	12	69.3	6.51	82.7	7.95	96.0	9.52	102.7	10.17	109.3	11.04	116.3	11.51	118.7	11.67
	14	69.3	6.71	82.7	8.32	96.0	9.95	102.7	10.68	109.3	11.60	114.7	11.93	117.3	12.19
	16	69.3	6.95	82.7	8.62	96.0	10.36	102.7	11.14	109.3	12.30	113.3	12.60	115.7	12.69
	18	69.3	7.21	82.7	8.97	96.0	10.96	102.7	11.87	109.3	13.03	111.7	13.24	114.4	13.30
	20	69.3	7.47	82.7	9.42	96.0	11.62	102.7	12.65	107.7	13.75	110.4	13.90	112.6	13.95
	21	69.3	7.63	82.7	9.70	96.0	12.03	102.7	13.11	107.0	14.06	109.3	14.22	112.0	14.28
	23	69.3	8.13	82.7	10.40	96.0	12.91	102.7	13.91	105.3	14.73	108.0	14.87	110.4	14.92
	25	69.3	8.69	82.7	11.09	96.0	13.82	102.7	14.73	104.0	15.35	106.4	15.51	109.0	15.57
	27	69.3	9.28	82.7	11.87	96.0	14.79	101.0	15.54	102.4	16.08	105.0	16.16	107.3	16.22
	29	69.3	9.91	82.7	12.67	96.0	15.78	99.7	16.21	101.0	16.72	103.3	16.80	105.9	16.86
	31	69.3	10.54	82.7	13.50	96.0	16.86	97.9	16.92	99.3	17.37	101.9	17.45	104.3	17.51
	33	69.3	11.24	82.7	14.38	95.3	17.80	96.6	17.69	97.9	18.02	100.3	18.09	103.0	18.17
	35	69.3	11.94	82.7	15.35	93.6	18.42	95.0	18.50	96.3	18.66	98.7	18.74	101.3	18.82
	37	69.3	12.40	82.7	15.82	92.3	18.75	93.6	18.77	94.7	18.94	97.3	19.06	99.7	19.11
	39	69.3	12.88	82.7	16.29	90.7	19.05	92.0	19.09	93.3	19.23	95.7	19.35	98.4	19.40
100	10	60.5	6.30	72.0	7.66	83.8	9.09	89.6	9.82	95.4	10.55	107.2	11.75	117.8	11.84
	12	60.5	6.51	72.0	7.97	83.8	9.39	89.6	10.09	95.4	10.89	107.2	12.38	116.2	12.50
	14	60.5	6.70	72.0	8.29	83.8	9.79	89.6	10.52	95.4	11.36	107.2	13.07	114.9	13.19
	16	60.5	6.91	72.0	8.56	83.8	10.21	89.6	11.02	95.4	11.97	107.2	13.70	113.3	13.89
	18	60.5	7.12	72.0	8.88	83.8	10.60	89.6	11.56	95.4	12.69	107.2	14.47	111.7	14.59
	20	60.5	7.37	72.0	9.22	83.8	11.22	89.6	12.38	95.4	13.58	107.2	15.17	110.1	15.29
	21	60.5	7.53	72.0	9.44	83.8	11.60	89.6	12.81	95.4	14.09	107.2	15.52	109.4	15.63
	23	60.5	7.97	72.0	10.09	83.8	12.46	89.6	13.74	95.4	15.09	105.7	16.25	108.0	16.38
	25	60.5	8.47	72.0	10.76	83.8	13.31	89.6	14.71	95.4	16.14	104.2	16.94	106.2	17.08
	27	60.5	9.06	72.0	11.49	83.8	14.24	89.6	15.71	95.4	17.16	102.6	17.73	105.0	17.88
	29	60.5	9.63	72.0	12.27	83.8	15.20	89.6	16.79	95.4	18.16	101.1	18.45	103.4	18.59
	31	60.5	10.30	72.0	13.08	83.8	16.21	89.6	17.91	95.4	19.08	99.5	19.16	101.8	19.32
	33	60.5	10.91	72.0	13.93	83.8	17.30	89.6	19.12	95.4	19.80	98.1	19.88	100.2	20.04
	35	60.5	11.60	72.0	14.82	83.8	18.42	89.6	20.39	93.9	20.52	96.5	20.60	98.6	20.76
	37	60.5	12.07	72.0	15.43	83.8	18.94	89.6	20.74	92.3	20.84	95.0	20.93	97.3	21.12
	39	60.5	12.53	72.0	16.05	83.8	19.44	89.6	21.08	90.9	21.17	93.5	21.25	95.7	21.44

Notes:
 1. TC: Total Capacity(kW) PI : Power Input(kW)(Comp. + Outdoor fan motor)
 2. Capacity tables show the average value of conditions which may occur.

7. Capacity Tables

Cooling Capacity(32HP)

Combination (%)	Outdoor air temp °C DB	Indoor air temp. (DB/WB, °C)													
		20		23		26		27		28		30		32	
		14		16		18		19		20		22		24	
		TC	PI	TC	PI	TC	PI	TC	PI	TC	PI	TC	PI	TC	PI
90	10	54.4	5.69	65.0	6.91	75.5	8.17	80.6	8.83	85.8	9.49	96.3	10.58	106.9	10.68
	12	54.4	5.84	65.0	7.12	75.5	8.40	80.6	9.04	85.8	9.75	96.3	11.01	106.9	11.27
	14	54.4	6.00	65.0	7.35	75.5	8.69	80.6	9.35	85.8	10.09	96.3	11.49	106.9	11.90
	16	54.4	6.15	65.0	7.57	75.5	8.99	80.6	9.70	85.8	10.50	96.3	11.78	106.9	12.48
	18	54.4	6.31	65.0	7.80	75.5	9.24	80.6	10.01	85.8	10.75	96.3	12.04	106.9	13.11
	20	54.4	6.49	65.0	7.97	75.5	9.42	80.6	10.20	85.8	11.16	96.3	12.89	106.9	13.74
	21	54.4	6.61	65.0	8.05	75.5	9.61	80.6	10.54	85.8	11.57	96.3	13.36	106.9	14.05
	23	54.4	6.78	65.0	8.38	75.5	10.27	80.6	11.31	85.8	12.38	96.3	14.25	105.4	14.72
	25	54.4	7.12	65.0	8.93	75.5	10.97	80.6	12.09	85.8	13.23	96.3	15.00	103.9	15.34
	27	54.4	7.60	65.0	9.53	75.5	11.71	80.6	12.90	85.8	14.16	96.3	15.80	102.4	16.07
	29	54.4	8.05	65.0	10.16	75.5	12.53	80.6	13.79	85.8	15.13	96.3	16.60	100.8	16.72
	31	54.4	8.57	65.0	10.83	75.5	13.35	80.6	14.68	85.8	16.13	96.3	17.25	99.3	17.36
	33	54.4	9.12	65.0	11.53	75.5	14.24	80.6	15.65	85.8	17.11	96.3	17.89	97.8	18.00
	35	54.4	9.67	65.0	12.24	75.5	15.13	80.6	16.68	85.8	18.03	94.7	18.53	96.3	18.65
	37	54.4	10.27	65.0	13.01	75.5	16.13	80.6	17.72	85.8	18.57	93.1	18.87	94.7	19.04
	39	54.4	10.88	65.0	13.85	75.5	17.04	80.6	18.54	85.8	19.09	91.7	19.17	93.3	19.35
80	10	48.3	5.61	57.6	6.80	66.9	8.02	71.7	8.67	76.5	9.31	85.8	10.45	95.0	10.68
	12	48.3	5.77	57.6	6.95	66.9	8.22	71.7	8.86	76.5	9.49	85.8	10.84	95.0	11.27
	14	48.3	5.91	57.6	7.11	66.9	8.34	71.7	9.01	76.5	9.65	85.8	11.05	95.0	11.76
	16	48.3	5.99	57.6	7.23	66.9	8.50	71.7	9.18	76.5	9.85	85.8	11.28	95.0	12.24
	18	48.3	6.12	57.6	7.35	66.9	8.66	71.7	9.34	76.5	10.05	85.8	11.48	95.0	12.51
	20	48.3	6.24	57.6	7.50	66.9	8.86	71.7	9.54	76.5	10.25	85.8	11.92	95.0	13.38
	21	48.3	6.27	57.6	7.59	66.9	8.93	71.7	9.65	76.5	10.49	85.8	12.29	95.0	13.81
	23	48.3	6.40	57.6	7.70	66.9	9.34	71.7	10.25	76.5	11.20	85.8	12.98	95.0	14.59
	25	48.3	6.63	57.6	8.22	66.9	10.01	71.7	10.97	76.5	12.00	85.8	13.89	95.0	15.34
	27	48.3	7.03	57.6	8.74	66.9	10.69	71.7	11.72	76.5	12.79	85.8	14.76	95.0	16.07
	29	48.3	7.47	57.6	9.34	66.9	11.36	71.7	12.48	76.5	13.66	85.8	15.81	95.0	16.72
	31	48.3	7.95	57.6	9.89	66.9	12.12	71.7	13.30	76.5	14.53	85.8	16.78	95.0	17.36
	33	48.3	8.42	57.6	10.57	66.9	12.91	71.7	14.18	76.5	15.50	85.8	17.57	95.0	18.00
	35	48.3	8.93	57.6	11.20	66.9	13.74	71.7	15.09	76.5	16.52	85.8	18.35	94.1	18.65
	37	48.3	9.46	57.6	11.91	66.9	14.58	71.7	16.04	76.5	17.55	85.8	18.87	92.5	19.04
	39	48.3	9.99	57.6	12.59	66.9	15.44	71.7	16.91	76.5	18.65	85.8	19.17	91.0	19.35
70	10	42.2	5.13	50.6	6.10	58.6	7.07	62.7	7.64	66.9	8.16	74.9	9.29	83.2	10.40
	12	42.2	5.21	50.6	6.18	58.6	7.23	62.7	7.76	66.9	8.32	74.9	9.46	83.2	10.59
	14	42.2	5.29	50.6	6.26	58.6	7.35	62.7	7.88	66.9	8.45	74.9	9.65	83.2	10.78
	16	42.2	5.38	50.6	6.38	58.6	7.48	62.7	8.04	66.9	8.61	74.9	9.82	83.2	11.01
	18	42.2	5.46	50.6	6.51	58.6	7.64	62.7	8.20	66.9	8.77	74.9	9.98	83.2	11.21
	20	42.2	5.54	50.6	6.63	58.6	7.76	62.7	8.37	66.9	8.98	74.9	10.23	83.2	11.64
	21	42.2	5.62	50.6	6.67	58.6	7.84	62.7	8.45	66.9	9.06	74.9	10.39	83.2	12.01
	23	42.2	5.70	50.6	6.83	58.6	8.01	62.7	8.73	66.9	9.50	74.9	11.11	83.2	12.67
	25	42.2	5.77	50.6	7.07	58.6	8.53	62.7	9.34	66.9	10.14	74.9	11.89	83.2	13.56
	27	42.2	6.10	50.6	7.56	58.6	9.09	62.7	9.90	66.9	10.83	74.9	12.69	83.2	14.42
	29	42.2	6.51	50.6	8.01	58.6	9.65	62.7	10.55	66.9	11.51	74.9	13.53	83.2	15.44
	31	42.2	6.91	50.6	8.53	58.6	10.31	62.7	11.28	66.9	12.28	74.9	14.42	83.2	16.39
	33	42.2	7.32	50.6	9.01	58.6	10.95	62.7	11.97	66.9	13.05	74.9	15.36	83.2	17.27
	35	42.2	7.71	50.6	9.62	58.6	11.64	62.7	12.73	66.9	13.91	74.9	16.36	83.2	18.32
	37	42.2	8.20	50.6	10.19	58.6	12.37	62.7	13.53	66.9	14.80	74.9	17.41	83.2	18.92
	39	42.2	8.62	50.6	10.76	58.6	13.09	62.7	14.28	66.9	15.66	74.9	18.46	83.2	19.35
60	10	36.2	4.53	43.2	5.30	50.2	6.16	53.8	6.62	57.3	7.03	64.3	7.97	71.4	8.92
	12	36.2	4.61	43.2	5.38	50.2	6.24	53.8	6.70	57.3	7.15	64.3	8.10	71.4	9.09
	14	36.2	4.64	43.2	5.47	50.2	6.37	53.8	6.82	57.3	7.28	64.3	8.26	71.4	9.25
	16	36.2	4.73	43.2	5.59	50.2	6.45	53.8	6.95	57.3	7.44	64.3	8.43	71.4	9.42
	18	36.2	4.81	43.2	5.68	50.2	6.57	53.8	7.07	57.3	7.56	64.3	8.55	71.4	9.62
	20	36.2	4.89	43.2	5.76	50.2	6.70	53.8	7.19	57.3	7.69	64.3	8.71	71.4	9.83
	21	36.2	4.94	43.2	5.80	50.2	6.78	53.8	7.28	57.3	7.77	64.3	8.84	71.4	9.91
	23	36.2	5.02	43.2	5.91	50.2	6.87	53.8	7.40	57.3	7.93	64.3	9.17	71.4	10.52
	25	36.2	5.10	43.2	6.04	50.2	7.15	53.8	7.77	57.3	8.43	64.3	9.78	71.4	11.26
	27	36.2	5.27	43.2	6.37	50.2	7.61	53.8	8.26	57.3	8.96	64.3	10.40	71.4	12.00
	29	36.2	5.59	43.2	6.78	50.2	8.10	53.8	8.79	57.3	9.53	64.3	11.10	71.4	12.83
	31	36.2	5.91	43.2	7.19	50.2	8.59	53.8	9.37	57.3	10.16	64.3	11.84	71.4	13.65
	33	36.2	6.24	43.2	7.61	50.2	9.12	53.8	9.95	57.3	10.81	64.3	12.58	71.4	14.55
	35	36.2	6.62	43.2	8.10	50.2	9.70	53.8	10.57	57.3	11.47	64.3	13.40	71.4	15.46
	37	36.2	6.98	43.2	8.54	50.2	10.27	53.8	11.23	57.3	12.17	64.3	14.22	71.4	16.45
	39	36.2	7.36	43.2	9.01	50.2	10.88	53.8	11.92	57.3	12.83	64.3	15.10	71.4	17.44

Notes:

1. TC: Total Capacity(kW) PI : Power Input(kW)(Comp. + Outdoor fan motor)
2. Capacity tables show the average value of conditions which may occur.

7. Capacity Tables

Cooling Capacity(32HP)

Combination (%)	Outdoor air temp °C DB	Indoor air temp. (DB/WB, °C)													
		20		23		26		27		28		30		32	
		14		16		18		19		20		22		24	
		TC	PI	TC	PI	TC	PI	TC	PI	TC	PI	TC	PI	TC	PI
50	10	30.2	3.97	36.2	4.60	41.9	5.23	44.8	5.60	47.7	5.94	53.4	6.69	59.5	7.44
	12	30.2	4.01	36.2	4.64	41.9	5.31	44.8	5.69	47.7	6.06	53.4	6.81	59.5	7.57
	14	30.2	4.06	36.2	4.72	41.9	5.39	44.8	5.77	47.7	6.15	53.4	6.89	59.5	7.69
	16	30.2	4.14	36.2	4.81	41.9	5.47	44.8	5.89	47.7	6.23	53.4	7.02	59.5	7.82
	18	30.2	4.18	36.2	4.85	41.9	5.56	44.8	5.98	47.7	6.35	53.4	7.15	59.5	7.98
	20	30.2	4.22	36.2	4.93	41.9	5.69	44.8	6.06	47.7	6.48	53.4	7.27	59.5	8.15
	21	30.2	4.27	36.2	4.98	41.9	5.72	44.8	6.15	47.7	6.52	53.4	7.35	59.5	8.23
	23	30.2	4.35	36.2	5.06	41.9	5.81	44.8	6.23	47.7	6.64	53.4	7.48	59.5	8.41
	25	30.2	4.39	36.2	5.14	41.9	5.94	44.8	6.35	47.7	6.86	53.4	7.86	59.5	8.99
	27	30.2	4.47	36.2	5.31	41.9	6.27	44.8	6.77	47.7	7.27	53.4	8.41	59.5	9.58
	29	30.2	4.72	36.2	5.64	41.9	6.64	44.8	7.19	47.7	7.73	53.4	8.90	59.5	10.16
	31	30.2	4.98	36.2	5.98	41.9	7.06	44.8	7.60	47.7	8.23	53.4	9.48	59.5	10.83
	33	30.2	5.26	36.2	6.31	41.9	7.48	44.8	8.06	47.7	8.74	53.4	10.07	59.5	11.54
	35	30.2	5.56	36.2	6.69	41.9	7.90	44.8	8.57	47.7	9.23	53.4	10.65	59.5	12.25
	37	30.2	5.89	36.2	7.06	41.9	8.36	44.8	9.07	47.7	9.78	53.4	11.37	59.5	12.99
	39	30.2	6.16	36.2	7.43	41.9	8.87	44.8	9.58	47.7	10.29	53.4	11.99	59.5	13.77

Notes:

1. TC: Total Capacity(kW) PI : Power Input(kW)(Comp. + Outdoor fan motor)
2. Capacity tables show the average value of conditions which may occur.

7. Capacity Tables

ARUB340LTE4

Cooling Capacity(34HP)

Combination (%)	Outdoor air temp °C DB	Indoor air temp. (DB/WB, °C)													
		20		23		26		27		28		30		32	
		14		16		18		19		20		22		24	
		TC	PI	TC	PI	TC	PI	TC	PI	TC	PI	TC	PI	TC	PI
130	10	87.0	8.50	103.7	10.38	120.3	12.04	124.9	12.28	126.3	12.42	129.5	12.48	132.7	12.56
	12	87.0	8.71	103.7	10.75	120.3	12.54	123.1	12.61	125.3	12.86	127.7	12.99	130.9	13.05
	14	87.0	8.99	103.7	11.14	120.0	13.01	121.7	13.10	123.1	13.32	126.3	13.45	129.5	13.55
	16	87.0	9.32	103.7	11.53	118.5	13.59	120.0	13.72	121.4	13.81	124.6	13.95	127.7	14.07
	18	87.0	9.71	103.7	12.20	116.8	14.33	118.2	14.44	120.0	14.52	123.1	14.59	126.3	14.68
	20	87.0	10.15	103.7	12.99	114.9	15.01	117.0	15.14	118.2	15.23	121.4	15.30	124.6	15.40
	21	87.0	10.41	103.7	13.45	114.3	15.35	116.1	15.51	117.5	15.58	120.7	15.66	123.9	15.75
	23	87.0	11.17	103.7	14.43	112.9	16.01	114.3	16.17	116.0	16.29	118.8	16.38	122.1	16.48
	25	87.0	11.93	103.7	15.42	111.1	16.72	112.9	16.88	114.3	17.00	117.5	17.09	120.7	17.19
	27	87.0	12.77	103.7	16.48	109.7	17.45	111.1	17.57	112.9	17.71	116.0	17.80	118.8	17.90
	29	87.0	13.60	103.7	17.63	107.9	18.16	109.5	18.29	111.1	18.42	114.3	18.51	117.5	18.62
	31	87.0	14.51	103.3	18.56	106.1	18.89	107.9	19.01	109.5	19.12	112.5	19.22	115.7	19.34
	33	87.0	15.46	101.5	19.27	104.7	19.61	106.4	19.74	107.9	19.83	111.1	19.93	113.9	20.05
	35	87.0	16.48	99.8	19.98	103.0	20.33	104.7	20.46	106.4	20.54	109.3	20.64	112.5	20.77
37	87.0	17.07	98.4	20.36	101.5	20.73	103.0	20.89	104.7	20.97	107.6	21.04	110.8	21.20	
39	87.0	17.65	96.6	20.77	99.8	21.15	101.5	21.30	103.0	21.37	106.1	21.44	109.3	21.60	
120	10	80.5	7.64	95.7	9.37	111.3	11.14	119.2	12.03	124.8	12.22	127.7	12.27	130.5	12.32
	12	80.5	7.84	95.7	9.68	111.3	11.57	119.2	12.28	123.1	12.67	125.8	12.82	128.7	12.88
	14	80.5	8.12	95.7	10.01	111.3	12.04	119.2	12.75	121.2	13.13	124.4	13.33	127.3	13.45
	16	80.5	8.41	95.7	10.42	111.3	12.51	118.5	13.43	119.9	13.74	122.7	13.81	125.5	13.95
	18	80.5	8.74	95.7	10.89	111.3	13.27	116.6	14.19	118.1	14.45	120.9	14.51	124.1	14.57
	20	80.5	9.07	95.7	11.55	111.3	14.14	115.2	15.01	116.6	15.16	119.5	15.22	122.4	15.28
	21	80.5	9.35	95.7	11.97	111.3	14.64	114.2	15.35	115.6	15.51	118.8	15.56	121.6	15.63
	23	80.5	9.99	95.7	12.80	111.3	15.61	112.7	16.03	114.2	16.22	117.0	16.27	119.9	16.34
	25	80.5	10.67	95.7	13.72	109.6	16.46	111.0	16.76	112.4	16.92	115.6	16.98	118.5	17.05
	27	80.5	11.40	95.7	14.66	108.1	17.30	109.6	17.44	111.0	17.62	113.9	17.69	116.6	17.76
	29	80.5	12.16	95.7	15.65	106.4	18.02	107.8	18.16	109.2	18.32	112.0	18.40	115.2	18.47
	31	80.5	12.96	95.7	16.71	104.6	18.77	106.4	18.84	107.8	19.03	110.7	19.10	113.4	19.19
	33	80.5	13.79	95.7	17.82	103.2	19.45	104.6	19.57	106.0	19.74	108.8	19.81	111.7	19.90
	35	80.5	14.66	95.7	19.00	101.5	20.21	102.8	20.28	104.6	20.44	107.4	20.52	110.3	20.61
37	80.5	15.32	95.7	19.46	100.0	20.55	101.5	20.68	102.8	20.76	105.7	20.89	108.5	20.95	
39	80.5	15.96	95.4	19.92	98.2	20.91	99.6	21.06	101.0	21.12	104.2	21.25	107.1	21.31	
110	10	73.6	6.87	87.9	8.38	102.0	9.94	109.1	10.77	116.1	11.59	125.0	12.06	127.8	12.11
	12	73.6	7.09	87.9	8.66	102.0	10.36	109.1	11.07	116.1	12.02	123.6	12.53	126.1	12.70
	14	73.6	7.31	87.9	9.05	102.0	10.83	109.1	11.62	116.1	12.63	121.9	12.99	124.6	13.27
	16	73.6	7.57	87.9	9.38	102.0	11.28	109.1	12.13	116.1	13.40	120.4	13.72	122.9	13.81
	18	73.6	7.84	87.9	9.77	102.0	11.93	109.1	12.93	116.1	14.19	118.6	14.42	121.5	14.48
	20	73.6	8.13	87.9	10.25	102.0	12.65	109.1	13.78	114.4	14.97	117.3	15.13	119.7	15.18
	21	73.6	8.31	87.9	10.56	102.0	13.10	109.1	14.28	113.7	15.30	116.1	15.48	119.0	15.54
	23	73.6	8.85	87.9	11.33	102.0	14.05	109.1	15.14	111.9	16.03	114.7	16.18	117.3	16.24
	25	73.6	9.46	87.9	12.08	102.0	15.04	109.1	16.03	110.5	16.71	113.0	16.88	115.8	16.95
	27	73.6	10.10	87.9	12.92	102.0	16.10	107.3	16.92	108.8	17.50	111.5	17.59	114.1	17.66
	29	73.6	10.79	87.9	13.79	102.0	17.17	105.9	17.64	107.3	18.20	109.8	18.29	112.6	18.36
	31	73.6	11.47	87.9	14.70	102.0	18.35	104.1	18.42	105.6	18.91	108.3	18.99	110.8	19.07
	33	73.6	12.23	87.9	15.65	101.3	19.38	102.7	19.25	104.1	19.62	106.6	19.69	109.4	19.78
	35	73.6	12.99	87.9	16.71	99.5	20.06	100.9	20.14	102.3	20.32	104.9	20.40	107.6	20.49
37	73.6	13.50	87.9	17.23	98.1	20.42	99.5	20.44	100.6	20.62	103.4	20.75	105.9	20.80	
39	73.6	14.02	87.9	17.73	96.4	20.73	97.7	20.78	99.1	20.94	101.6	21.06	104.5	21.12	
100	10	64.3	6.67	76.5	8.10	89.1	9.62	95.2	10.39	101.3	11.17	113.9	12.43	125.1	12.53
	12	64.3	6.89	76.5	8.44	89.1	9.94	95.2	10.68	101.3	11.52	113.9	13.10	123.4	13.23
	14	64.3	7.10	76.5	8.78	89.1	10.36	95.2	11.14	101.3	12.02	113.9	13.83	122.1	13.96
	16	64.3	7.31	76.5	9.06	89.1	10.80	95.2	11.66	101.3	12.67	113.9	14.50	120.4	14.71
	18	64.3	7.53	76.5	9.40	89.1	11.22	95.2	12.23	101.3	13.43	113.9	15.32	118.7	15.45
	20	64.3	7.80	76.5	9.76	89.1	11.88	95.2	13.11	101.3	14.37	113.9	16.05	117.0	16.19
	21	64.3	7.97	76.5	9.99	89.1	12.28	95.2	13.56	101.3	14.91	113.9	16.42	116.3	16.55
	23	64.3	8.44	76.5	10.68	89.1	13.19	95.2	14.54	101.3	15.97	112.3	17.20	114.8	17.33
	25	64.3	8.96	76.5	11.39	89.1	14.08	95.2	15.56	101.3	17.08	110.7	17.93	112.9	18.07
	27	64.3	9.58	76.5	12.16	89.1	15.07	95.2	16.63	101.3	18.16	109.0	18.77	111.5	18.92
	29	64.3	10.19	76.5	12.99	89.1	16.09	95.2	17.77	101.3	19.22	107.4	19.53	109.8	19.68
	31	64.3	10.90	76.5	13.84	89.1	17.15	95.2	18.95	101.3	20.20	105.8	20.28	108.1	20.45
	33	64.3	11.54	76.5	14.74	89.1	18.31	95.2	20.23	101.3	20.95	104.2	21.04	106.4	21.21
	35	64.3	12.28	76.5	15.68	89.1	19.49	95.2	21.58	99.8	21.71	102.5	21.80	104.7	21.97
37	64.3	12.77	76.5	16.33	89.1	20.05	95.2	21.95	98.1	22.05	101.0	22.15	103.4	22.35	
39	64.3	13.26	76.5	16.98	89.1	20.57	95.2	22.31	96.5	22.41	99.3	22.49	101.7	22.70	

Notes:
 1. TC: Total Capacity(kW) PI : Power Input(kW)(Comp. + Outdoor fan motor)
 2. Capacity tables show the average value of conditions which may occur.

Outdoor Units

7. Capacity Tables

Cooling Capacity(34HP)

Combination (%)	Outdoor air temp °C DB	Indoor air temp. (DB/WB, °C)													
		20		23		26		27		28		30		32	
		14		16		18		19		20		22		24	
		TC	PI	TC	PI	TC	PI	TC	PI	TC	PI	TC	PI	TC	PI
90	10	57.8	5.90	69.0	7.14	80.2	8.44	85.7	9.12	91.1	9.80	102.3	10.94	113.6	11.47
	12	57.8	6.04	69.0	7.35	80.2	8.68	85.7	9.34	91.1	10.07	102.3	11.37	113.6	11.92
	14	57.8	6.20	69.0	7.59	80.2	8.97	85.7	9.65	91.1	10.42	102.3	11.86	113.6	12.42
	16	57.8	6.35	69.0	7.81	80.2	9.28	85.7	10.01	91.1	10.83	102.3	12.15	113.6	12.89
	18	57.8	6.52	69.0	8.04	80.2	9.53	85.7	10.33	91.1	11.09	102.3	12.42	113.6	13.55
	20	57.8	6.70	69.0	8.22	80.2	9.72	85.7	10.52	91.1	11.51	102.3	13.29	113.6	14.19
	21	57.8	6.82	69.0	8.30	80.2	9.91	85.7	10.87	91.1	11.94	102.3	13.78	113.6	14.52
	23	57.8	6.99	69.0	8.65	80.2	10.60	85.7	11.67	91.1	12.77	102.3	14.71	112.0	15.20
	25	57.8	7.34	69.0	9.21	80.2	11.32	85.7	12.47	91.1	13.65	102.3	15.49	110.4	15.85
	27	57.8	7.84	69.0	9.83	80.2	12.08	85.7	13.31	91.1	14.61	102.3	16.31	108.8	16.60
	29	57.8	8.30	69.0	10.48	80.2	12.93	85.7	14.22	91.1	15.61	102.3	17.15	107.1	17.27
	31	57.8	8.84	69.0	11.17	80.2	13.77	85.7	15.15	91.1	16.63	102.3	17.82	105.6	17.93
	33	57.8	9.40	69.0	11.89	80.2	14.69	85.7	16.14	91.1	17.65	102.3	18.49	103.9	18.60
	35	57.8	9.98	69.0	12.62	80.2	15.61	85.7	17.21	91.1	18.60	100.6	19.15	102.3	19.27
	37	57.8	10.60	69.0	13.42	80.2	16.63	85.7	18.28	91.1	19.18	98.9	19.60	100.7	19.73
	39	57.8	11.22	69.0	14.28	80.2	17.58	85.7	19.13	91.1	19.74	97.4	20.05	99.1	20.18
80	10	51.3	5.82	61.2	7.04	71.1	8.31	76.2	8.98	81.3	9.64	91.1	10.83	101.0	11.24
	12	51.3	5.97	61.2	7.20	71.1	8.51	76.2	9.17	81.3	9.83	91.1	11.23	101.0	11.70
	14	51.3	6.12	61.2	7.36	71.1	8.64	76.2	9.33	81.3	9.99	91.1	11.44	101.0	12.19
	16	51.3	6.21	61.2	7.49	71.1	8.80	76.2	9.50	81.3	10.20	91.1	11.68	101.0	12.67
	18	51.3	6.33	61.2	7.61	71.1	8.97	76.2	9.67	81.3	10.41	91.1	11.89	101.0	12.95
	20	51.3	6.46	61.2	7.77	71.1	9.17	76.2	9.87	81.3	10.61	91.1	12.34	101.0	13.86
	21	51.3	6.49	61.2	7.86	71.1	9.25	76.2	9.99	81.3	10.86	91.1	12.73	101.0	14.30
	23	51.3	6.62	61.2	7.98	71.1	9.67	76.2	10.61	81.3	11.60	91.1	13.44	101.0	15.11
	25	51.3	6.86	61.2	8.51	71.1	10.36	76.2	11.35	81.3	12.42	91.1	14.38	101.0	15.85
	27	51.3	7.28	61.2	9.05	71.1	11.07	76.2	12.13	81.3	13.24	91.1	15.29	101.0	16.60
	29	51.3	7.73	61.2	9.67	71.1	11.76	76.2	12.92	81.3	14.15	91.1	16.37	101.0	17.27
	31	51.3	8.23	61.2	10.24	71.1	12.55	76.2	13.78	81.3	15.05	91.1	17.37	101.0	17.93
	33	51.3	8.72	61.2	10.94	71.1	13.37	76.2	14.68	81.3	16.04	91.1	18.19	101.0	18.60
	35	51.3	9.25	61.2	11.60	71.1	14.23	76.2	15.63	81.3	17.11	91.1	19.01	99.9	19.27
	37	51.3	9.79	61.2	12.33	71.1	15.09	76.2	16.61	81.3	18.17	91.1	19.60	98.3	19.73
	39	51.3	10.34	61.2	13.03	71.1	15.98	76.2	17.51	81.3	19.32	91.1	20.05	96.7	20.18
70	10	44.9	5.33	53.7	6.34	62.2	7.35	66.6	7.93	71.1	8.48	79.6	9.66	88.4	10.81
	12	44.9	5.41	53.7	6.42	62.2	7.51	66.6	8.06	71.1	8.65	79.6	9.83	88.4	11.00
	14	44.9	5.50	53.7	6.50	62.2	7.64	66.6	8.19	71.1	8.78	79.6	10.03	88.4	11.20
	16	44.9	5.59	53.7	6.63	62.2	7.77	66.6	8.36	71.1	8.94	79.6	10.21	88.4	11.45
	18	44.9	5.67	53.7	6.76	62.2	7.93	66.6	8.52	71.1	9.12	79.6	10.37	88.4	11.65
	20	44.9	5.75	53.7	6.89	62.2	8.06	66.6	8.69	71.1	9.33	79.6	10.63	88.4	12.09
	21	44.9	5.84	53.7	6.93	62.2	8.14	66.6	8.78	71.1	9.41	79.6	10.79	88.4	12.48
	23	44.9	5.92	53.7	7.10	62.2	8.32	66.6	9.07	71.1	9.87	79.6	11.54	88.4	13.17
	25	44.9	6.00	53.7	7.35	62.2	8.86	66.6	9.70	71.1	10.54	79.6	12.35	88.4	14.09
	27	44.9	6.34	53.7	7.85	62.2	9.45	66.6	10.29	71.1	11.25	79.6	13.18	88.4	14.98
	29	44.9	6.76	53.7	8.32	62.2	10.03	66.6	10.96	71.1	11.96	79.6	14.06	88.4	16.04
	31	44.9	7.18	53.7	8.86	62.2	10.71	66.6	11.72	71.1	12.76	79.6	14.99	88.4	17.03
	33	44.9	7.60	53.7	9.36	62.2	11.38	66.6	12.43	71.1	13.56	79.6	15.96	88.4	17.94
	35	44.9	8.02	53.7	10.00	62.2	12.09	66.6	13.23	71.1	14.45	79.6	17.00	88.4	19.03
	37	44.9	8.52	53.7	10.58	62.2	12.85	66.6	14.06	71.1	15.37	79.6	18.09	88.4	19.68
	39	44.9	8.96	53.7	11.18	62.2	13.60	66.6	14.84	71.1	16.27	79.6	19.18	88.4	20.18
60	10	38.4	4.72	45.9	5.53	53.4	6.43	57.1	6.90	60.9	7.33	68.3	8.31	75.8	9.30
	12	38.4	4.80	45.9	5.61	53.4	6.51	57.1	6.98	60.9	7.46	68.3	8.44	75.8	9.47
	14	38.4	4.84	45.9	5.70	53.4	6.64	57.1	7.12	60.9	7.59	68.3	8.61	75.8	9.64
	16	38.4	4.93	45.9	5.82	53.4	6.72	57.1	7.25	60.9	7.76	68.3	8.79	75.8	9.82
	18	38.4	5.02	45.9	5.92	53.4	6.85	57.1	7.38	60.9	7.89	68.3	8.92	75.8	10.03
	20	38.4	5.10	45.9	6.00	53.4	6.98	57.1	7.50	60.9	8.02	68.3	9.08	75.8	10.25
	21	38.4	5.15	45.9	6.05	53.4	7.07	57.1	7.59	60.9	8.10	68.3	9.21	75.8	10.33
	23	38.4	5.23	45.9	6.17	53.4	7.16	57.1	7.72	60.9	8.27	68.3	9.56	75.8	10.97
	25	38.4	5.31	45.9	6.30	53.4	7.46	57.1	8.10	60.9	8.79	68.3	10.20	75.8	11.74
	27	38.4	5.49	45.9	6.64	53.4	7.93	57.1	8.61	60.9	9.34	68.3	10.84	75.8	12.51
	29	38.4	5.82	45.9	7.07	53.4	8.44	57.1	9.17	60.9	9.94	68.3	11.57	75.8	13.38
	31	38.4	6.17	45.9	7.50	53.4	8.95	57.1	9.77	60.9	10.59	68.3	12.34	75.8	14.23
	33	38.4	6.51	45.9	7.93	53.4	9.51	57.1	10.38	60.9	11.27	68.3	13.12	75.8	15.17
	35	38.4	6.90	45.9	8.44	53.4	10.12	57.1	11.02	60.9	11.95	68.3	13.97	75.8	16.12
	37	38.4	7.28	45.9	8.91	53.4	10.71	57.1	11.70	60.9	12.69	68.3	14.82	75.8	17.15
	39	38.4	7.67	45.9	9.39	53.4	11.34	57.1	12.43	60.9	13.38	68.3	15.74	75.8	18.18

Notes:
 1. TC: Total Capacity(kW) PI : Power Input(kW)(Comp. + Outdoor fan motor)
 2. Capacity tables show the average value of conditions which may occur.

7. Capacity Tables

Cooling Capacity(34HP)

Combination (%)	Outdoor air temp °C DB	Indoor air temp. (DB/WB, °C)													
		20		23		26		27		28		30		32	
		14		16		18		19		20		22		24	
		TC	PI	TC	PI	TC	PI	TC	PI	TC	PI	TC	PI	TC	PI
50	10	32.1	4.15	38.4	4.81	44.5	5.47	47.6	5.86	50.7	6.21	56.8	6.99	63.2	7.79
	12	32.1	4.20	38.4	4.86	44.5	5.55	47.6	5.95	50.7	6.34	56.8	7.13	63.2	7.92
	14	32.1	4.25	38.4	4.94	44.5	5.64	47.6	6.03	50.7	6.43	56.8	7.21	63.2	8.05
	16	32.1	4.33	38.4	5.03	44.5	5.72	47.6	6.17	50.7	6.51	56.8	7.34	63.2	8.18
	18	32.1	4.37	38.4	5.07	44.5	5.82	47.6	6.25	50.7	6.65	56.8	7.47	63.2	8.35
	20	32.1	4.42	38.4	5.16	44.5	5.95	47.6	6.34	50.7	6.78	56.8	7.61	63.2	8.53
	21	32.1	4.46	38.4	5.21	44.5	5.99	47.6	6.43	50.7	6.83	56.8	7.69	63.2	8.61
	23	32.1	4.55	38.4	5.29	44.5	6.08	47.6	6.51	50.7	6.95	56.8	7.82	63.2	8.79
	25	32.1	4.59	38.4	5.38	44.5	6.21	47.6	6.65	50.7	7.17	56.8	8.22	63.2	9.40
	27	32.1	4.68	38.4	5.55	44.5	6.56	47.6	7.08	50.7	7.61	56.8	8.79	63.2	10.02
	29	32.1	4.94	38.4	5.90	44.5	6.95	47.6	7.52	50.7	8.09	56.8	9.31	63.2	10.63
	31	32.1	5.21	38.4	6.25	44.5	7.39	47.6	7.95	50.7	8.61	56.8	9.92	63.2	11.32
	33	32.1	5.51	38.4	6.60	44.5	7.82	47.6	8.43	50.7	9.14	56.8	10.53	63.2	12.07
	35	32.1	5.82	38.4	6.99	44.5	8.27	47.6	8.96	50.7	9.66	56.8	11.15	63.2	12.81
	37	32.1	6.17	38.4	7.39	44.5	8.75	47.6	9.49	50.7	10.23	56.8	11.89	63.2	13.59
39	32.1	6.45	38.4	7.77	44.5	9.28	47.6	10.02	50.7	10.76	56.8	12.55	63.2	14.40	

Notes:

1. TC: Total Capacity(kW) PI : Power Input(kW)(Comp. + Outdoor fan motor)
2. Capacity tables show the average value of conditions which may occur.

7. Capacity Tables

ARUB360LTE4

Cooling Capacity(36HP)

Combination (%)	Outdoor air temp °C DB	Indoor air temp. (DB/WB, °C)													
		20		23		26		27		28		30		32	
		14		16		18		19		20		22		24	
		TC	PI	TC	PI	TC	PI	TC	PI	TC	PI	TC	PI	TC	PI
130	10	92.2	9.32	109.8	11.38	127.4	13.21	132.3	13.47	133.7	13.62	137.1	13.69	140.5	13.77
	12	92.2	9.55	109.8	11.80	127.4	13.75	130.3	13.84	132.6	14.10	135.2	14.25	138.6	14.31
	14	92.2	9.86	109.8	12.22	127.0	14.27	128.9	14.37	130.3	14.62	133.7	14.75	137.1	14.87
	16	92.2	10.22	109.8	12.65	125.5	14.90	127.0	15.05	128.5	15.15	131.9	15.30	135.2	15.43
	18	92.2	10.66	109.8	13.38	123.6	15.71	125.1	15.84	127.0	15.93	130.3	16.01	133.7	16.10
	20	92.2	11.13	109.8	14.25	121.7	16.46	123.9	16.61	125.1	16.71	128.5	16.79	131.9	16.89
	21	92.2	11.42	109.8	14.75	121.0	16.84	122.9	17.01	124.4	17.09	127.8	17.18	131.2	17.28
	23	92.2	12.25	109.8	15.83	119.5	17.56	121.0	17.73	122.8	17.87	125.8	17.96	129.2	18.07
	25	92.2	13.09	109.8	16.92	117.7	18.34	119.5	18.52	121.0	18.65	124.4	18.74	127.8	18.86
	27	92.2	14.00	109.8	18.08	116.1	19.14	117.7	19.28	119.5	19.43	122.8	19.52	125.8	19.64
	29	92.2	14.92	109.8	19.33	114.3	19.93	115.9	20.06	117.7	20.21	121.0	20.30	124.4	20.42
	31	92.2	15.91	109.4	20.36	112.3	20.72	114.3	20.86	115.9	20.97	119.1	21.08	122.5	21.21
	33	92.2	16.96	107.5	21.14	110.9	21.51	112.7	21.65	114.3	21.75	117.7	21.87	120.6	22.00
	35	92.2	18.08	105.6	21.92	109.0	22.30	110.9	22.44	112.7	22.53	115.7	22.65	119.1	22.78
	37	92.2	18.72	104.2	22.34	107.5	22.74	109.0	22.92	110.9	23.01	113.9	23.08	117.3	23.25
	39	92.2	19.36	102.3	22.78	105.6	23.20	107.5	23.37	109.0	23.44	112.3	23.52	115.7	23.69
120	10	85.3	8.38	101.3	10.28	117.9	12.21	126.2	13.19	132.1	13.40	135.2	13.46	138.2	13.51
	12	85.3	8.60	101.3	10.62	117.9	12.70	126.2	13.47	130.3	13.90	133.2	14.07	136.3	14.12
	14	85.3	8.90	101.3	10.98	117.9	13.21	126.2	13.99	128.4	14.41	131.8	14.62	134.8	14.75
	16	85.3	9.23	101.3	11.43	117.9	13.72	125.4	14.73	126.9	15.07	129.9	15.14	132.9	15.30
	18	85.3	9.59	101.3	11.95	117.9	14.56	123.5	15.56	125.1	15.85	128.0	15.91	131.4	15.98
	20	85.3	9.95	101.3	12.67	117.9	15.51	122.0	16.46	123.5	16.63	126.5	16.69	129.6	16.76
	21	85.3	10.25	101.3	13.13	117.9	16.06	120.9	16.84	122.4	17.01	125.8	17.07	128.7	17.15
	23	85.3	10.96	101.3	14.04	117.9	17.13	119.4	17.58	120.9	17.79	123.9	17.85	126.9	17.93
	25	85.3	11.71	101.3	15.05	116.1	18.06	117.5	18.38	119.0	18.55	122.4	18.63	125.4	18.71
	27	85.3	12.50	101.3	16.08	114.5	18.97	116.1	19.13	117.5	19.33	120.6	19.41	123.5	19.49
	29	85.3	13.34	101.3	17.17	112.7	19.77	114.1	19.92	115.6	20.10	118.6	20.19	122.0	20.26
	31	85.3	14.21	101.3	18.33	110.7	20.59	112.7	20.67	114.1	20.88	117.2	20.95	120.1	21.04
	33	85.3	15.13	101.3	19.54	109.3	21.33	110.7	21.46	112.3	21.65	115.2	21.73	118.3	21.82
	35	85.3	16.08	101.3	20.84	107.4	22.17	108.9	22.25	110.7	22.42	113.8	22.51	116.8	22.60
	37	85.3	16.80	101.3	21.35	105.8	22.55	107.4	22.69	108.9	22.78	111.9	22.92	114.9	22.98
	39	85.3	17.51	101.0	21.85	104.0	22.93	105.5	23.10	106.9	23.16	110.4	23.31	113.4	23.37
110	10	78.0	7.54	93.0	9.19	108.0	10.91	115.5	11.82	123.0	12.71	132.3	13.23	135.4	13.28
	12	78.0	7.78	93.0	9.50	108.0	11.36	115.5	12.14	123.0	13.19	130.9	13.74	133.5	13.93
	14	78.0	8.01	93.0	9.93	108.0	11.88	115.5	12.75	123.0	13.85	129.0	14.25	132.0	14.55
	16	78.0	8.30	93.0	10.29	108.0	12.37	115.5	13.30	123.0	14.69	127.5	15.05	130.1	15.15
	18	78.0	8.60	93.0	10.71	108.0	13.09	115.5	14.18	123.0	15.56	125.6	15.82	128.7	15.89
	20	78.0	8.92	93.0	11.25	108.0	13.87	115.5	15.11	121.1	16.42	124.2	16.59	126.7	16.65
	21	78.0	9.11	93.0	11.59	108.0	14.37	115.5	15.66	120.4	16.79	123.0	16.98	126.0	17.05
	23	78.0	9.71	93.0	12.42	108.0	15.42	115.5	16.61	118.5	17.58	121.5	17.75	124.2	17.81
	25	78.0	10.37	93.0	13.25	108.0	16.50	115.5	17.59	117.0	18.33	119.7	18.52	122.6	18.59
	27	78.0	11.08	93.0	14.17	108.0	17.66	113.6	18.56	115.2	19.20	118.1	19.29	120.8	19.37
	29	78.0	11.84	93.0	15.13	108.0	18.84	112.1	19.35	113.6	19.97	116.3	20.06	119.2	20.14
	31	78.0	12.58	93.0	16.12	108.0	20.13	110.2	20.21	111.8	20.74	114.7	20.84	117.4	20.91
	33	78.0	13.42	93.0	17.17	107.3	21.25	108.7	21.12	110.2	21.52	112.9	21.60	115.9	21.69
	35	78.0	14.25	93.0	18.33	105.3	22.00	106.9	22.09	108.4	22.29	111.0	22.38	114.0	22.47
	37	78.0	14.81	93.0	18.89	103.9	22.39	105.3	22.42	106.5	22.62	109.5	22.76	112.1	22.82
	39	78.0	15.38	93.0	19.45	102.0	22.74	103.5	22.79	105.0	22.97	107.6	23.10	110.7	23.16
100	10	68.0	7.33	81.0	8.91	94.3	10.57	100.8	11.42	107.3	12.27	120.6	13.66	132.5	13.77
	12	68.0	7.57	81.0	9.27	94.3	10.92	100.8	11.73	107.3	12.66	120.6	14.40	130.7	14.53
	14	68.0	7.80	81.0	9.64	94.3	11.38	100.8	12.23	107.3	13.21	120.6	15.20	129.2	15.34
	16	68.0	8.04	81.0	9.96	94.3	11.87	100.8	12.81	107.3	13.92	120.6	15.93	127.4	16.16
	18	68.0	8.27	81.0	10.33	94.3	12.33	100.8	13.44	107.3	14.75	120.6	16.83	125.6	16.97
	20	68.0	8.57	81.0	10.72	94.3	13.05	100.8	14.40	107.3	15.79	120.6	17.64	123.8	17.78
	21	68.0	8.75	81.0	10.98	94.3	13.49	100.8	14.90	107.3	16.38	120.6	18.04	123.1	18.18
	23	68.0	9.27	81.0	11.74	94.3	14.49	100.8	15.97	107.3	17.55	118.9	18.89	121.5	19.04
	25	68.0	9.85	81.0	12.51	94.3	15.47	100.8	17.10	107.3	18.76	117.2	19.70	119.5	19.86
	27	68.0	10.53	81.0	13.36	94.3	16.56	100.8	18.27	107.3	19.95	115.4	20.62	118.1	20.79
	29	68.0	11.20	81.0	14.27	94.3	17.68	100.8	19.53	107.3	21.12	113.8	21.45	116.3	21.62
	31	68.0	11.97	81.0	15.21	94.3	18.85	100.8	20.83	107.3	22.19	112.0	22.28	114.5	22.47
	33	68.0	12.68	81.0	16.20	94.3	20.12	100.8	22.23	107.3	23.02	110.3	23.12	112.7	23.30
	35	68.0	13.49	81.0	17.23	94.3	21.42	100.8	23.71	105.7	23.86	108.6	23.95	110.9	24.14
	37	68.0	14.03	81.0	17.94	94.3	22.03	100.8	24.12	103.9	24.23	106.9	24.34	109.4	24.56
	39	68.0	14.57	81.0	18.66	94.3	22.60	100.8	24.51	102.2	24.62	105.1	24.71	107.6	24.94

Notes:

1. TC: Total Capacity(kW) PI : Power Input(kW)(Comp. + Outdoor fan motor)
2. Capacity tables show the average value of conditions which may occur.

7. Capacity Tables

Cooling Capacity(36HP)

Combination (%)	Outdoor air temp °C DB	Indoor air temp. (DB/WB, °C)													
		20		23		26		27		28		30		32	
		14		16		18		19		20		22		24	
		TC	PI	TC	PI	TC	PI	TC	PI	TC	PI	TC	PI	TC	PI
90	10	61.2	6.57	73.1	7.95	85.0	9.39	90.7	10.14	96.5	10.90	108.4	12.17	120.2	12.75
	12	61.2	6.72	73.1	8.17	85.0	9.64	90.7	10.38	96.5	11.20	108.4	12.63	120.2	13.32
	14	61.2	6.89	73.1	8.43	85.0	9.96	90.7	10.72	96.5	11.56	108.4	13.14	120.2	13.84
	16	61.2	7.06	73.1	8.66	85.0	10.29	90.7	11.10	96.5	12.00	108.4	13.46	120.2	14.34
	18	61.2	7.23	73.1	8.91	85.0	10.55	90.7	11.44	96.5	12.29	108.4	13.76	120.2	15.07
	20	61.2	7.43	73.1	9.11	85.0	10.76	90.7	11.65	96.5	12.75	108.4	14.72	120.2	15.78
	21	61.2	7.55	73.1	9.19	85.0	10.98	90.7	12.04	96.5	13.22	108.4	15.26	120.2	16.15
	23	61.2	7.75	73.1	9.58	85.0	11.74	90.7	12.92	96.5	14.15	108.4	16.30	118.6	16.91
	25	61.2	8.13	73.1	10.20	85.0	12.54	90.7	13.81	96.5	15.12	108.4	17.19	116.8	17.63
	27	61.2	8.68	73.1	10.89	85.0	13.39	90.7	14.74	96.5	16.18	108.4	18.12	115.2	18.46
	29	61.2	9.19	73.1	11.61	85.0	14.32	90.7	15.76	96.5	17.29	108.4	19.08	113.4	19.21
	31	61.2	9.79	73.1	12.37	85.0	15.25	90.7	16.78	96.5	18.42	108.4	19.83	111.8	19.94
	33	61.2	10.42	73.1	13.17	85.0	16.27	90.7	17.88	96.5	19.55	108.4	20.57	110.0	20.69
	35	61.2	11.05	73.1	13.98	85.0	17.29	90.7	19.06	96.5	20.61	106.5	21.31	108.3	21.44
	37	61.2	11.74	73.1	14.87	85.0	18.43	90.7	20.25	96.5	21.30	104.8	21.84	106.6	21.97
	39	61.2	12.43	73.1	15.82	85.0	19.47	90.7	21.20	96.5	21.97	103.1	22.36	104.9	22.50
80	10	54.4	6.37	64.8	7.70	75.2	9.08	80.6	9.82	86.0	10.54	96.5	11.86	106.9	12.35
	12	54.4	6.54	64.8	7.87	75.2	9.30	80.6	10.02	86.0	10.74	96.5	12.27	106.9	12.84
	14	54.4	6.70	64.8	8.05	75.2	9.44	80.6	10.20	86.0	10.92	96.5	12.50	106.9	13.35
	16	54.4	6.78	64.8	8.19	75.2	9.62	80.6	10.39	86.0	11.15	96.5	12.77	106.9	13.85
	18	54.4	6.92	64.8	8.31	75.2	9.81	80.6	10.57	86.0	11.38	96.5	13.00	106.9	14.16
	20	54.4	7.06	64.8	8.49	75.2	10.02	80.6	10.79	86.0	11.60	96.5	13.49	106.9	15.15
	21	54.4	7.10	64.8	8.59	75.2	10.11	80.6	10.92	86.0	11.87	96.5	13.91	106.9	15.64
	23	54.4	7.24	64.8	8.72	75.2	10.57	80.6	11.60	86.0	12.68	96.5	14.69	106.9	16.55
	25	54.4	7.51	64.8	9.30	75.2	11.33	80.6	12.41	86.0	13.58	96.5	15.72	106.9	17.44
	27	54.4	7.96	64.8	9.89	75.2	12.10	80.6	13.26	86.0	14.48	96.5	16.71	106.9	18.39
	29	54.4	8.45	64.8	10.57	75.2	12.86	80.6	14.12	86.0	15.46	96.5	17.90	106.9	19.21
	31	54.4	9.00	64.8	11.20	75.2	13.72	80.6	15.06	86.0	16.45	96.5	18.99	106.9	19.94
	33	54.4	9.53	64.8	11.96	75.2	14.62	80.6	16.05	86.0	17.54	96.5	19.90	106.9	20.69
	35	54.4	10.11	64.8	12.68	75.2	15.55	80.6	17.08	86.0	18.70	96.5	20.82	105.8	21.44
	37	54.4	10.70	64.8	13.48	75.2	16.50	80.6	18.16	86.0	19.87	96.5	21.52	104.1	21.97
	39	54.4	11.31	64.8	14.25	75.2	17.47	80.6	19.14	86.0	21.12	96.5	22.15	102.4	22.50
70	10	47.5	5.76	56.9	6.84	65.9	7.93	70.6	8.56	75.2	9.16	84.2	10.42	93.6	11.66
	12	47.5	5.84	56.9	6.93	65.9	8.11	70.6	8.70	75.2	9.34	84.2	10.61	93.6	11.88
	14	47.5	5.93	56.9	7.02	65.9	8.25	70.6	8.84	75.2	9.47	84.2	10.83	93.6	12.09
	16	47.5	6.03	56.9	7.16	65.9	8.39	70.6	9.02	75.2	9.65	84.2	11.02	93.6	12.35
	18	47.5	6.12	56.9	7.30	65.9	8.56	70.6	9.20	75.2	9.84	84.2	11.19	93.6	12.58
	20	47.5	6.21	56.9	7.44	65.9	8.70	70.6	9.38	75.2	10.07	84.2	11.47	93.6	13.05
	21	47.5	6.30	56.9	7.48	65.9	8.79	70.6	9.47	75.2	10.16	84.2	11.65	93.6	13.47
	23	47.5	6.39	56.9	7.66	65.9	8.98	70.6	9.79	75.2	10.65	84.2	12.46	93.6	14.21
	25	47.5	6.48	56.9	7.93	65.9	9.56	70.6	10.47	75.2	11.37	84.2	13.33	93.6	15.21
	27	47.5	6.84	56.9	8.48	65.9	10.20	70.6	11.11	75.2	12.14	84.2	14.23	93.6	16.17
	29	47.5	7.30	56.9	8.98	65.9	10.83	70.6	11.83	75.2	12.92	84.2	15.18	93.6	17.32
	31	47.5	7.75	56.9	9.56	65.9	11.56	70.6	12.65	75.2	13.78	84.2	16.18	93.6	18.39
	33	47.5	8.21	56.9	10.11	65.9	12.28	70.6	13.42	75.2	14.64	84.2	17.23	93.6	19.37
	35	47.5	8.65	56.9	10.79	65.9	13.05	70.6	14.28	75.2	15.60	84.2	18.35	93.6	20.54
	37	47.5	9.20	56.9	11.42	65.9	13.87	70.6	15.18	75.2	16.59	84.2	19.53	93.6	21.27
	39	47.5	9.67	56.9	12.07	65.9	14.68	70.6	16.02	75.2	17.57	84.2	20.70	93.6	21.89
60	10	40.7	5.03	48.6	5.89	56.5	6.85	60.5	7.36	64.4	7.81	72.4	8.86	80.3	9.91
	12	40.7	5.12	48.6	5.98	56.5	6.94	60.5	7.45	64.4	7.95	72.4	9.00	80.3	10.10
	14	40.7	5.16	48.6	6.08	56.5	7.08	60.5	7.59	64.4	8.09	72.4	9.18	80.3	10.28
	16	40.7	5.26	48.6	6.21	56.5	7.17	60.5	7.72	64.4	8.27	72.4	9.37	80.3	10.47
	18	40.7	5.35	48.6	6.31	56.5	7.31	60.5	7.86	64.4	8.41	72.4	9.51	80.3	10.70
	20	40.7	5.44	48.6	6.40	56.5	7.45	60.5	7.99	64.4	8.55	72.4	9.69	80.3	10.92
	21	40.7	5.49	48.6	6.45	56.5	7.54	60.5	8.09	64.4	8.64	72.4	9.82	80.3	11.01
	23	40.7	5.58	48.6	6.58	56.5	7.64	60.5	8.23	64.4	8.81	72.4	10.19	80.3	11.70
	25	40.7	5.66	48.6	6.71	56.5	7.95	60.5	8.64	64.4	9.37	72.4	10.87	80.3	12.52
	27	40.7	5.85	48.6	7.08	56.5	8.46	60.5	9.18	64.4	9.96	72.4	11.56	80.3	13.34
	29	40.7	6.21	48.6	7.54	56.5	9.00	60.5	9.77	64.4	10.60	72.4	12.34	80.3	14.26
	31	40.7	6.58	48.6	7.99	56.5	9.55	60.5	10.42	64.4	11.29	72.4	13.16	80.3	15.17
	33	40.7	6.94	48.6	8.46	56.5	10.14	60.5	11.06	64.4	12.01	72.4	13.98	80.3	16.17
	35	40.7	7.36	48.6	9.00	56.5	10.78	60.5	11.75	64.4	12.75	72.4	14.89	80.3	17.18
	37	40.7	7.76	48.6	9.50	56.5	11.42	60.5	12.48	64.4	13.53	72.4	15.81	80.3	18.28
	39	40.7	8.18	48.6	10.02	56.5	12.09	60.5	13.25	64.4	14.27	72.4	16.78	80.3	19.39

Notes:

1. TC: Total Capacity(kW) PI : Power Input(kW)(Comp. + Outdoor fan motor)
2. Capacity tables show the average value of conditions which may occur.

7. Capacity Tables

Cooling Capacity(36HP)

Combination (%)	Outdoor air temp °C DB	Indoor air temp. (DB/WB, °C)													
		20		23		26		27		28		30		32	
		14		16		18		19		20		22		24	
		TC	PI	TC	PI	TC	PI	TC	PI	TC	PI	TC	PI	TC	PI
50	10	34.0	4.37	40.7	5.07	47.2	5.76	50.4	6.17	53.6	6.55	60.1	7.37	67.0	8.20
	12	34.0	4.42	40.7	5.12	47.2	5.85	50.4	6.27	53.6	6.67	60.1	7.51	67.0	8.34
	14	34.0	4.47	40.7	5.21	47.2	5.94	50.4	6.36	53.6	6.77	60.1	7.60	67.0	8.48
	16	34.0	4.56	40.7	5.30	47.2	6.03	50.4	6.50	53.6	6.86	60.1	7.74	67.0	8.62
	18	34.0	4.60	40.7	5.35	47.2	6.13	50.4	6.58	53.6	7.00	60.1	7.87	67.0	8.80
	20	34.0	4.65	40.7	5.43	47.2	6.27	50.4	6.67	53.6	7.14	60.1	8.01	67.0	8.98
	21	34.0	4.70	40.7	5.48	47.2	6.31	50.4	6.77	53.6	7.19	60.1	8.10	67.0	9.07
	23	34.0	4.79	40.7	5.57	47.2	6.41	50.4	6.86	53.6	7.32	60.1	8.24	67.0	9.26
	25	34.0	4.84	40.7	5.66	47.2	6.55	50.4	7.00	53.6	7.56	60.1	8.66	67.0	9.91
	27	34.0	4.93	40.7	5.85	47.2	6.91	50.4	7.46	53.6	8.01	60.1	9.26	67.0	10.55
	29	34.0	5.21	40.7	6.22	47.2	7.32	50.4	7.92	53.6	8.52	60.1	9.81	67.0	11.20
	31	34.0	5.48	40.7	6.58	47.2	7.78	50.4	8.38	53.6	9.07	60.1	10.45	67.0	11.93
	33	34.0	5.80	40.7	6.95	47.2	8.24	50.4	8.89	53.6	9.63	60.1	11.10	67.0	12.71
	35	34.0	6.13	40.7	7.37	47.2	8.71	50.4	9.44	53.6	10.17	60.1	11.74	67.0	13.50
	37	34.0	6.50	40.7	7.78	47.2	9.21	50.4	10.00	53.6	10.78	60.1	12.52	67.0	14.32
	39	34.0	6.79	40.7	8.18	47.2	9.77	50.4	10.55	53.6	11.34	60.1	13.22	67.0	15.17

Notes:

1. TC: Total Capacity(kW) PI : Power Input(kW)(Comp. + Outdoor fan motor)
2. Capacity tables show the average value of conditions which may occur.

7. Capacity Tables

ARUB380LTE4

Cooling Capacity(38HP)

Combination (%)	Outdoor air temp °C DB	Indoor air temp. (DB/WB, °C)													
		20		23		26		27		28		30		32	
		14		16		18		19		20		22		24	
		TC	PI	TC	PI	TC	PI	TC	PI	TC	PI	TC	PI	TC	PI
130	10	97.3	9.08	115.9	11.09	134.5	12.86	139.6	13.12	141.2	13.27	144.8	13.33	148.3	13.42
	12	97.3	9.30	115.9	11.49	134.5	13.40	137.6	13.48	140.0	13.74	142.7	13.88	146.3	13.94
	14	97.3	9.61	115.9	11.90	134.1	13.90	136.0	14.00	137.6	14.24	141.2	14.37	144.8	14.48
	16	97.3	9.96	115.9	12.32	132.5	14.52	134.1	14.66	135.6	14.76	139.2	14.90	142.7	15.03
	18	97.3	10.38	115.9	13.03	130.5	15.31	132.1	15.42	134.1	15.52	137.6	15.59	141.2	15.68
	20	97.3	10.84	115.9	13.88	128.5	16.03	130.7	16.18	132.1	16.27	135.6	16.35	139.2	16.46
	21	97.3	11.12	115.9	14.37	127.7	16.40	129.7	16.57	131.3	16.65	134.9	16.74	138.5	16.83
	23	97.3	11.94	115.9	15.42	126.1	17.10	127.7	17.27	129.6	17.41	132.8	17.50	136.4	17.60
	25	97.3	12.75	115.9	16.48	124.2	17.87	126.2	18.04	127.7	18.16	131.3	18.26	134.9	18.37
	27	97.3	13.64	115.9	17.61	122.6	18.64	124.2	18.77	126.2	18.92	129.6	19.02	132.8	19.13
	29	97.3	14.53	115.9	18.83	120.6	19.41	122.4	19.54	124.2	19.68	127.7	19.78	131.3	19.89
	31	97.3	15.50	115.5	19.83	118.6	20.18	120.6	20.32	122.4	20.43	125.8	20.54	129.3	20.66
	33	97.3	16.52	113.5	20.59	117.0	20.95	118.9	21.09	120.6	21.19	124.2	21.30	127.3	21.43
	35	97.3	17.61	111.5	21.35	115.1	21.72	117.0	21.86	118.9	21.95	122.2	22.06	125.8	22.19
	37	97.3	18.24	110.0	21.76	113.5	22.15	115.1	22.32	117.0	22.41	120.2	22.48	123.8	22.65
	39	97.3	18.85	107.9	22.19	111.5	22.59	113.5	22.76	115.1	22.84	118.6	22.91	122.2	23.08
120	10	90.0	8.16	107.0	10.01	124.4	11.90	133.2	12.85	139.5	13.05	142.7	13.11	145.9	13.16
	12	90.0	8.38	107.0	10.34	124.4	12.37	133.2	13.12	137.5	13.54	140.6	13.70	143.8	13.76
	14	90.0	8.67	107.0	10.70	124.4	12.87	133.2	13.62	135.5	14.03	139.1	14.24	142.3	14.37
	16	90.0	8.99	107.0	11.14	124.4	13.37	132.4	14.35	134.0	14.68	137.1	14.75	140.2	14.91
	18	90.0	9.34	107.0	11.64	124.4	14.18	130.4	15.16	132.0	15.44	135.1	15.50	138.7	15.57
	20	90.0	9.69	107.0	12.34	124.4	15.11	128.8	16.03	130.4	16.20	133.5	16.26	136.8	16.33
	21	90.0	9.99	107.0	12.79	124.4	15.64	127.6	16.40	129.2	16.57	132.8	16.63	135.9	16.70
	23	90.0	10.68	107.0	13.68	124.4	16.68	126.0	17.13	127.6	17.33	130.7	17.39	134.0	17.46
	25	90.0	11.40	107.0	14.66	122.5	17.59	124.0	17.90	125.6	18.07	129.2	18.15	132.4	18.22
	27	90.0	12.18	107.0	15.66	120.8	18.48	122.5	18.63	124.0	18.83	127.3	18.90	130.4	18.98
	29	90.0	12.99	107.0	16.72	118.9	19.26	120.5	19.40	122.0	19.58	125.2	19.66	128.8	19.74
	31	90.0	13.84	107.0	17.85	116.9	20.05	118.9	20.13	120.5	20.33	123.7	20.41	126.8	20.50
	33	90.0	14.73	107.0	19.04	115.3	20.78	116.9	20.91	118.5	21.09	121.6	21.17	124.8	21.26
	35	90.0	15.66	107.0	20.30	113.4	21.59	114.9	21.67	116.9	21.84	120.1	21.93	123.3	22.02
	37	90.0	16.36	107.0	20.79	111.7	21.96	113.4	22.10	114.9	22.19	118.1	22.32	121.2	22.39
	39	90.0	17.05	106.6	21.28	109.8	22.34	111.3	22.50	112.9	22.56	116.5	22.71	119.7	22.77
110	10	82.3	7.34	98.2	8.95	114.0	10.63	121.9	11.51	129.8	12.38	139.7	12.88	142.9	12.94
	12	82.3	7.58	98.2	9.25	114.0	11.07	121.9	11.83	129.8	12.85	138.1	13.38	140.9	13.57
	14	82.3	7.81	98.2	9.67	114.0	11.57	121.9	12.42	129.8	13.49	136.2	13.88	139.3	14.18
	16	82.3	8.08	98.2	10.02	114.0	12.05	121.9	12.96	129.8	14.31	134.5	14.66	137.3	14.76
	18	82.3	8.38	98.2	10.44	114.0	12.75	121.9	13.81	129.8	15.16	132.6	15.41	135.8	15.47
	20	82.3	8.69	98.2	10.96	114.0	13.51	121.9	14.72	127.8	15.99	131.1	16.16	133.8	16.22
	21	82.3	8.88	98.2	11.29	114.0	14.00	121.9	15.25	127.1	16.35	129.8	16.53	133.0	16.60
	23	82.3	9.45	98.2	12.10	114.0	15.02	121.9	16.18	125.0	17.13	128.2	17.29	131.1	17.35
	25	82.3	10.10	98.2	12.90	114.0	16.07	121.9	17.13	123.5	17.85	126.3	18.04	129.4	18.11
	27	82.3	10.79	98.2	13.80	114.0	17.20	119.9	18.08	121.6	18.70	124.6	18.79	127.5	18.87
	29	82.3	11.53	98.2	14.73	114.0	18.35	118.3	18.85	119.9	19.45	122.7	19.54	125.8	19.61
	31	82.3	12.25	98.2	15.70	114.0	19.61	116.3	19.69	118.0	20.20	121.1	20.29	123.9	20.37
	33	82.3	13.07	98.2	16.72	113.2	20.70	114.8	20.57	116.3	20.96	119.1	21.04	122.3	21.13
	35	82.3	13.88	98.2	17.85	111.2	21.43	112.8	21.52	114.4	21.71	117.2	21.80	120.3	21.89
	37	82.3	14.42	98.2	18.40	109.6	21.81	111.2	21.84	112.4	22.03	115.5	22.16	118.3	22.22
	39	82.3	14.98	98.2	18.94	107.7	22.15	109.2	22.20	110.8	22.37	113.6	22.50	116.8	22.56
100	10	71.8	7.34	85.5	8.92	99.6	10.58	106.4	11.43	113.2	12.29	127.3	13.68	139.8	13.79
	12	71.8	7.58	85.5	9.28	99.6	10.94	106.4	11.75	113.2	12.68	127.3	14.41	137.9	14.55
	14	71.8	7.81	85.5	9.65	99.6	11.40	106.4	12.25	113.2	13.23	127.3	15.22	136.4	15.36
	16	71.8	8.05	85.5	9.97	99.6	11.88	106.4	12.83	113.2	13.94	127.3	15.95	134.5	16.18
	18	71.8	8.28	85.5	10.34	99.6	12.34	106.4	13.46	113.2	14.77	127.3	16.85	132.6	16.99
	20	71.8	8.58	85.5	10.73	99.6	13.06	106.4	14.42	113.2	15.81	127.3	17.66	130.7	17.81
	21	71.8	8.76	85.5	10.99	99.6	13.51	106.4	14.91	113.2	16.40	127.3	18.07	130.0	18.20
	23	71.8	9.28	85.5	11.75	99.6	14.51	106.4	15.99	113.2	17.57	125.5	18.92	128.3	19.07
	25	71.8	9.86	85.5	12.53	99.6	15.49	106.4	17.12	113.2	18.79	123.7	19.72	126.2	19.88
	27	71.8	10.54	85.5	13.38	99.6	16.58	106.4	18.29	113.2	19.98	121.8	20.65	124.6	20.81
	29	71.8	11.21	85.5	14.28	99.6	17.70	106.4	19.55	113.2	21.14	120.1	21.48	122.7	21.65
	31	71.8	11.99	85.5	15.23	99.6	18.87	106.4	20.85	113.2	22.22	118.2	22.31	120.8	22.50
	33	71.8	12.70	85.5	16.22	99.6	20.14	106.4	22.26	113.2	23.05	116.5	23.15	118.9	23.33
	35	71.8	13.51	85.5	17.25	99.6	21.44	106.4	23.74	111.5	23.89	114.6	23.98	117.0	24.17
	37	71.8	14.05	85.5	17.96	99.6	22.05	106.4	24.15	109.7	24.26	112.8	24.37	115.5	24.59
	39	71.8	14.59	85.5	18.68	99.6	22.63	106.4	24.54	107.9	24.65	111.0	24.74	113.6	24.97

Notes:

1. TC: Total Capacity(kW) PI : Power Input(kW)(Comp. + Outdoor fan motor)
2. Capacity tables show the average value of conditions which may occur.

Outdoor Units

7. Capacity Tables

Cooling Capacity(38HP)

Combination (%)	Outdoor air temp °C DB	Indoor air temp. (DB/WB, °C)													
		20		23		26		27		28		30		32	
		14		16		18		19		20		22		24	
		TC	PI	TC	PI	TC	PI	TC	PI	TC	PI	TC	PI	TC	PI
90	10	64.6	6.61	77.1	8.04	89.7	9.53	95.8	10.30	101.8	11.07	114.4	12.32	126.9	12.42
	12	64.6	6.82	77.1	8.36	89.7	9.86	95.8	10.58	101.8	11.42	114.4	12.98	126.9	13.11
	14	64.6	7.04	77.1	8.70	89.7	10.27	95.8	11.03	101.8	11.92	114.4	13.57	126.9	13.84
	16	64.6	7.25	77.1	8.95	89.7	10.63	95.8	11.46	101.8	12.39	114.4	13.90	126.9	14.57
	18	64.6	7.47	77.1	9.21	89.7	10.90	95.8	11.81	101.8	12.69	114.4	14.21	126.9	15.31
	20	64.6	7.67	77.1	9.40	89.7	11.12	95.8	12.03	101.8	13.17	114.4	15.21	126.9	16.04
	21	64.6	7.80	77.1	9.49	89.7	11.34	95.8	12.43	101.8	13.65	114.4	15.76	126.9	16.40
	23	64.6	8.00	77.1	9.89	89.7	12.12	95.8	13.35	101.8	14.61	114.4	16.83	125.2	17.18
	25	64.6	8.40	77.1	10.54	89.7	12.95	95.8	14.26	101.8	15.61	114.4	17.76	123.3	17.91
	27	64.6	8.97	77.1	11.25	89.7	13.82	95.8	15.23	101.8	16.71	114.4	18.61	121.6	18.76
	29	64.6	9.49	77.1	11.99	89.7	14.79	95.8	16.27	101.8	17.85	114.4	19.35	119.7	19.51
	31	64.6	10.11	77.1	12.78	89.7	15.75	95.8	17.33	101.8	19.03	114.4	20.11	118.0	20.26
	33	64.6	10.76	77.1	13.60	89.7	16.80	95.8	18.46	101.8	20.19	114.4	20.85	116.1	21.02
	35	64.6	11.41	77.1	14.44	89.7	17.85	95.8	19.68	101.8	21.29	114.4	21.60	114.4	21.78
	37	64.6	12.12	77.1	15.36	89.7	19.03	95.8	20.91	101.8	21.87	110.6	21.95	112.5	22.15
	39	64.6	12.83	77.1	16.34	89.7	20.11	95.8	21.90	101.8	22.21	108.8	22.30	110.7	22.50
80	10	57.4	6.61	68.4	8.01	79.4	9.45	85.1	10.21	90.8	10.96	101.8	12.32	112.9	12.42
	12	57.4	6.80	68.4	8.19	79.4	9.68	85.1	10.43	90.8	11.17	101.8	12.77	112.9	13.11
	14	57.4	6.96	68.4	8.37	79.4	9.82	85.1	10.61	90.8	11.36	101.8	13.00	112.9	13.84
	16	57.4	7.06	68.4	8.51	79.4	10.00	85.1	10.80	90.8	11.60	101.8	13.28	112.9	14.41
	18	57.4	7.20	68.4	8.65	79.4	10.20	85.1	10.99	90.8	11.83	101.8	13.52	112.9	14.73
	20	57.4	7.34	68.4	8.83	79.4	10.43	85.1	11.23	90.8	12.07	101.8	14.03	112.9	15.76
	21	57.4	7.38	68.4	8.94	79.4	10.52	85.1	11.36	90.8	12.35	101.8	14.47	112.9	16.27
	23	57.4	7.53	68.4	9.07	79.4	10.99	85.1	12.07	90.8	13.19	101.8	15.28	112.9	17.18
	25	57.4	7.81	68.4	9.68	79.4	11.78	85.1	12.91	90.8	14.12	101.8	16.35	112.9	17.91
	27	57.4	8.28	68.4	10.29	79.4	12.58	85.1	13.79	90.8	15.06	101.8	17.38	112.9	18.76
	29	57.4	8.79	68.4	10.99	79.4	13.37	85.1	14.69	90.8	16.08	101.8	18.61	112.9	19.51
	31	57.4	9.36	68.4	11.65	79.4	14.27	85.1	15.66	90.8	17.11	101.8	19.75	112.9	20.26
	33	57.4	9.91	68.4	12.44	79.4	15.20	85.1	16.69	90.8	18.24	101.8	20.70	112.9	21.02
	35	57.4	10.52	68.4	13.19	79.4	16.18	85.1	17.77	90.8	19.45	101.8	21.60	111.7	21.78
	37	57.4	11.13	68.4	14.02	79.4	17.16	85.1	18.89	90.8	20.67	101.8	21.95	109.8	22.15
	39	57.4	11.76	68.4	14.82	79.4	18.17	85.1	19.91	90.8	21.97	101.8	22.30	108.1	22.50
70	10	50.2	6.03	60.0	7.17	69.5	8.31	74.5	8.97	79.4	9.59	88.9	10.92	98.8	12.22
	12	50.2	6.12	60.0	7.26	69.5	8.49	74.5	9.11	79.4	9.78	88.9	11.11	98.8	12.44
	14	50.2	6.21	60.0	7.35	69.5	8.64	74.5	9.26	79.4	9.92	88.9	11.34	98.8	12.66
	16	50.2	6.32	60.0	7.50	69.5	8.78	74.5	9.45	79.4	10.11	88.9	11.54	98.8	12.94
	18	50.2	6.41	60.0	7.64	69.5	8.97	74.5	9.63	79.4	10.31	88.9	11.72	98.8	13.17
	20	50.2	6.50	60.0	7.79	69.5	9.11	74.5	9.83	79.4	10.54	88.9	12.01	98.8	13.67
	21	50.2	6.60	60.0	7.83	69.5	9.21	74.5	9.92	79.4	10.64	88.9	12.20	98.8	14.11
	23	50.2	6.69	60.0	8.03	69.5	9.40	74.5	10.25	79.4	11.15	88.9	13.05	98.8	14.89
	25	50.2	6.78	60.0	8.31	69.5	10.02	74.5	10.97	79.4	11.91	88.9	13.96	98.8	15.93
	27	50.2	7.17	60.0	8.88	69.5	10.68	74.5	11.63	79.4	12.72	88.9	14.90	98.8	16.94
	29	50.2	7.64	60.0	9.40	69.5	11.34	74.5	12.39	79.4	13.53	88.9	15.90	98.8	18.14
	31	50.2	8.12	60.0	10.02	69.5	12.11	74.5	13.25	79.4	14.43	88.9	16.94	98.8	19.25
	33	50.2	8.60	60.0	10.58	69.5	12.86	74.5	14.05	79.4	15.33	88.9	18.04	98.8	20.29
	35	50.2	9.06	60.0	11.30	69.5	13.67	74.5	14.96	79.4	16.33	88.9	19.22	98.8	21.51
	37	50.2	9.63	60.0	11.96	69.5	14.53	74.5	15.90	79.4	17.38	88.9	20.46	98.8	22.15
	39	50.2	10.13	60.0	12.64	69.5	15.38	74.5	16.78	79.4	18.40	88.9	21.68	98.8	22.50
60	10	42.9	5.30	51.3	6.21	59.7	7.23	63.8	7.76	68.0	8.24	76.4	9.35	84.7	10.45
	12	42.9	5.40	51.3	6.31	59.7	7.32	63.8	7.85	68.0	8.38	76.4	9.49	84.7	10.65
	14	42.9	5.44	51.3	6.41	59.7	7.47	63.8	8.00	68.0	8.53	76.4	9.68	84.7	10.84
	16	42.9	5.54	51.3	6.55	59.7	7.56	63.8	8.14	68.0	8.72	76.4	9.88	84.7	11.04
	18	42.9	5.64	51.3	6.65	59.7	7.71	63.8	8.29	68.0	8.87	76.4	10.02	84.7	11.28
	20	42.9	5.73	51.3	6.75	59.7	7.85	63.8	8.43	68.0	9.01	76.4	10.21	84.7	11.52
	21	42.9	5.78	51.3	6.80	59.7	7.95	63.8	8.53	68.0	9.11	76.4	10.36	84.7	11.61
	23	42.9	5.88	51.3	6.93	59.7	8.05	63.8	8.68	68.0	9.29	76.4	10.74	84.7	12.33
	25	42.9	5.97	51.3	7.08	59.7	8.38	63.8	9.11	68.0	9.88	76.4	11.47	84.7	13.20
	27	42.9	6.17	51.3	7.47	59.7	8.92	63.8	9.68	68.0	10.50	76.4	12.19	84.7	14.07
	29	42.9	6.55	51.3	7.95	59.7	9.49	63.8	10.31	68.0	11.17	76.4	13.01	84.7	15.04
	31	42.9	6.93	51.3	8.43	59.7	10.07	63.8	10.98	68.0	11.90	76.4	13.88	84.7	16.00
	33	42.9	7.32	51.3	8.92	59.7	10.69	63.8	11.66	68.0	12.67	76.4	14.74	84.7	17.05
	35	42.9	7.76	51.3	9.49	59.7	11.37	63.8	12.38	68.0	13.44	76.4	15.70	84.7	18.12
	37	42.9	8.19	51.3	10.01	59.7	12.04	63.8	13.16	68.0	14.26	76.4	16.67	84.7	19.28
	39	42.9	8.63	51.3	10.56	59.7	12.75	63.8	13.97	68.0	15.04	76.4	17.70	84.7	20.44

Notes:
 1. TC: Total Capacity(kW) PI : Power Input(kW)(Comp. + Outdoor fan motor)
 2. Capacity tables show the average value of conditions which may occur.

7. Capacity Tables

Cooling Capacity(38HP)

Combination (%)	Outdoor air temp °C DB	Indoor air temp. (DB/WB, °C)													
		20		23		26		27		28		30		32	
		14		16		18		19		20		22		24	
		TC	PI	TC	PI	TC	PI	TC	PI	TC	PI	TC	PI	TC	PI
50	10	35.9	4.64	42.9	5.38	49.8	6.12	53.2	6.55	56.6	6.95	63.5	7.82	70.7	8.70
	12	35.9	4.69	42.9	5.43	49.8	6.21	53.2	6.65	56.6	7.08	63.5	7.97	70.7	8.85
	14	35.9	4.75	42.9	5.53	49.8	6.31	53.2	6.75	56.6	7.19	63.5	8.06	70.7	9.00
	16	35.9	4.84	42.9	5.62	49.8	6.40	53.2	6.89	56.6	7.28	63.5	8.21	70.7	9.15
	18	35.9	4.88	42.9	5.67	49.8	6.50	53.2	6.99	56.6	7.43	63.5	8.36	70.7	9.34
	20	35.9	4.94	42.9	5.77	49.8	6.65	53.2	7.08	56.6	7.58	63.5	8.50	70.7	9.54
	21	35.9	4.99	42.9	5.82	49.8	6.69	53.2	7.19	56.6	7.63	63.5	8.60	70.7	9.63
	23	35.9	5.08	42.9	5.92	49.8	6.80	53.2	7.28	56.6	7.77	63.5	8.75	70.7	9.83
	25	35.9	5.14	42.9	6.01	49.8	6.95	53.2	7.43	56.6	8.02	63.5	9.19	70.7	10.52
	27	35.9	5.23	42.9	6.21	49.8	7.34	53.2	7.92	56.6	8.50	63.5	9.83	70.7	11.20
	29	35.9	5.53	42.9	6.60	49.8	7.77	53.2	8.41	56.6	9.04	63.5	10.41	70.7	11.88
	31	35.9	5.82	42.9	6.99	49.8	8.26	53.2	8.89	56.6	9.63	63.5	11.09	70.7	12.66
	33	35.9	6.16	42.9	7.38	49.8	8.75	53.2	9.43	56.6	10.22	63.5	11.78	70.7	13.49
	35	35.9	6.50	42.9	7.82	49.8	9.24	53.2	10.02	56.6	10.80	63.5	12.46	70.7	14.33
	37	35.9	6.89	42.9	8.26	49.8	9.78	53.2	10.61	56.6	11.44	63.5	13.29	70.7	15.20
39	35.9	7.21	42.9	8.69	49.8	10.37	53.2	11.20	56.6	12.03	63.5	14.03	70.7	16.10	

Notes:

1. TC: Total Capacity(kW) PI : Power Input(kW)(Comp. + Outdoor fan motor)
2. Capacity tables show the average value of conditions which may occur.

7. Capacity Tables

ARUB400LTE4

Cooling Capacity(40HP)

Combination (%)	Outdoor air temp °C DB	Indoor air temp. (DB/WB, °C)													
		20		23		26		27		28		30		32	
		14		16		18		19		20		22		24	
		TC	PI	TC	PI	TC	PI	TC	PI	TC	PI	TC	PI	TC	PI
130	10	102.4	9.80	122.0	11.96	141.6	13.88	147.0	14.16	148.6	14.32	152.4	14.38	156.2	14.48
	12	102.4	10.04	122.0	12.40	141.6	14.46	144.8	14.54	147.4	14.82	150.2	14.98	154.0	15.04
	14	102.4	10.36	122.0	12.84	141.2	15.00	143.2	15.10	144.8	15.36	148.6	15.50	152.4	15.62
	16	102.4	10.74	122.0	13.30	139.4	15.66	141.2	15.82	142.8	15.92	146.6	16.08	150.2	16.22
	18	102.4	11.20	122.0	14.06	137.4	16.52	139.0	16.64	141.2	16.74	144.8	16.82	148.6	16.92
	20	102.4	11.70	122.0	14.98	135.2	17.30	137.6	17.46	139.0	17.56	142.8	17.64	146.6	17.76
	21	102.4	12.00	122.0	15.50	134.4	17.70	136.6	17.88	138.2	17.96	142.0	18.06	145.8	18.16
	23	102.4	12.88	122.0	16.64	132.8	18.46	134.4	18.64	136.4	18.78	139.8	18.88	143.6	19.00
	25	102.4	13.76	122.0	17.78	130.8	19.28	132.8	19.46	134.4	19.60	138.2	19.70	142.0	19.82
	27	102.4	14.72	122.0	19.00	129.0	20.12	130.8	20.26	132.8	20.42	136.4	20.52	139.8	20.64
	29	102.4	15.68	122.0	20.32	127.0	20.94	128.8	21.08	130.8	21.24	134.4	21.34	138.2	21.46
	31	102.4	16.72	121.6	21.40	124.8	21.78	127.0	21.92	128.8	22.04	132.4	22.16	136.2	22.30
	33	102.4	17.82	119.4	22.22	123.2	22.60	125.2	22.76	127.0	22.86	130.8	22.98	134.0	23.12
	35	102.4	19.00	117.4	23.04	121.2	23.44	123.2	23.58	125.2	23.68	128.6	23.80	132.4	23.94
	37	102.4	19.68	115.8	23.48	119.4	23.90	121.2	24.08	123.2	24.18	126.6	24.26	130.4	24.44
39	102.4	20.34	113.6	23.94	117.4	24.38	119.4	24.56	121.2	24.64	124.8	24.72	128.6	24.90	
120	10	94.8	8.80	112.6	10.80	131.0	12.84	140.2	13.86	146.8	14.08	150.2	14.14	153.6	14.20
	12	94.8	9.04	112.6	11.16	131.0	13.34	140.2	14.16	144.8	14.60	148.0	14.78	151.4	14.84
	14	94.8	9.36	112.6	11.54	131.0	13.88	140.2	14.70	142.6	15.14	146.4	15.36	149.8	15.50
	16	94.8	9.70	112.6	12.02	131.0	14.42	139.4	15.48	141.0	15.84	144.4	15.92	147.6	16.08
	18	94.8	10.08	112.6	12.56	131.0	15.30	137.2	16.36	139.0	16.66	142.2	16.72	146.0	16.80
	20	94.8	10.46	112.6	13.32	131.0	16.30	135.6	17.30	137.2	17.48	140.6	17.54	144.0	17.62
	21	94.8	10.78	112.6	13.80	131.0	16.88	134.4	17.70	136.0	17.88	139.8	17.94	143.0	18.02
	23	94.8	11.52	112.6	14.76	131.0	18.00	132.6	18.48	134.4	18.70	137.6	18.76	141.0	18.84
	25	94.8	12.30	112.6	15.82	129.0	18.98	130.6	19.32	132.2	19.50	136.0	19.58	139.4	19.66
	27	94.8	13.14	112.6	16.90	127.2	19.94	129.0	20.10	130.6	20.32	134.0	20.40	137.2	20.48
	29	94.8	14.02	112.6	18.04	125.2	20.78	126.8	20.94	128.4	21.12	131.8	21.22	135.6	21.30
	31	94.8	14.94	112.6	19.26	123.0	21.64	125.2	21.72	126.8	21.94	130.2	22.02	133.4	22.12
	33	94.8	15.90	112.6	20.54	121.4	22.42	123.0	22.56	124.8	22.76	128.0	22.84	131.4	22.94
	35	94.8	16.90	112.6	21.90	119.4	23.30	121.0	23.38	123.0	23.56	126.4	23.66	129.8	23.76
	37	94.8	17.66	112.6	22.44	117.6	23.70	119.4	23.84	121.0	23.94	124.4	24.08	127.6	24.16
39	94.8	18.40	112.2	22.96	115.6	24.10	117.2	24.28	118.8	24.34	122.6	24.50	126.0	24.56	
110	10	86.6	7.92	103.4	9.66	120.0	11.46	128.4	12.42	136.6	13.36	147.0	13.90	150.4	13.96
	12	86.6	8.18	103.4	9.98	120.0	11.94	128.4	12.76	136.6	13.86	145.4	14.44	148.4	14.64
	14	86.6	8.42	103.4	10.44	120.0	12.48	128.4	13.40	136.6	14.56	143.4	14.98	146.6	15.30
	16	86.6	8.72	103.4	10.82	120.0	13.00	128.4	13.98	136.6	15.44	141.6	15.82	144.6	15.92
	18	86.6	9.04	103.4	11.26	120.0	13.76	128.4	14.90	136.6	16.36	139.6	16.62	143.0	16.70
	20	86.6	9.38	103.4	11.82	120.0	14.58	128.4	15.88	134.6	17.26	138.0	17.44	140.8	17.50
	21	86.6	9.58	103.4	12.18	120.0	15.10	128.4	16.46	133.8	17.64	136.6	17.84	140.0	17.92
	23	86.6	10.20	103.4	13.06	120.0	16.20	128.4	17.46	131.6	18.48	135.0	18.66	138.0	18.72
	25	86.6	10.90	103.4	13.92	120.0	17.34	128.4	18.48	130.0	19.26	133.0	19.46	136.2	19.54
	27	86.6	11.64	103.4	14.90	120.0	18.56	126.2	19.50	128.0	20.18	131.2	20.28	134.2	20.36
	29	86.6	12.44	103.4	15.90	120.0	19.80	124.6	20.34	126.2	20.98	129.2	21.08	132.4	21.16
	31	86.6	13.22	103.4	16.94	120.0	21.16	122.4	21.24	124.2	21.80	127.4	21.90	130.4	21.98
	33	86.6	14.10	103.4	18.04	119.2	22.34	120.8	22.20	122.4	22.62	125.4	22.70	128.8	22.80
	35	86.6	14.98	103.4	19.26	117.0	23.12	118.8	23.22	120.4	23.42	123.4	23.52	126.6	23.62
	37	86.6	15.56	103.4	19.86	115.4	23.54	117.0	23.56	118.4	23.78	121.6	23.92	124.6	23.98
39	86.6	16.16	103.4	20.44	113.4	23.90	115.0	23.96	116.6	24.14	119.6	24.28	123.0	24.34	
100	10	75.6	7.92	90.0	9.62	104.8	11.42	112.0	12.34	119.2	13.26	134.0	14.76	147.2	14.88
	12	75.6	8.18	90.0	10.02	104.8	11.80	112.0	12.68	119.2	13.68	134.0	15.56	145.2	15.70
	14	75.6	8.42	90.0	10.42	104.8	12.30	112.0	13.22	119.2	14.28	134.0	16.42	143.6	16.58
	16	75.6	8.68	90.0	10.76	104.8	12.82	112.0	13.84	119.2	15.04	134.0	17.22	141.6	17.46
	18	75.6	8.94	90.0	11.16	104.8	13.32	112.0	14.52	119.2	15.94	134.0	18.18	139.6	18.34
	20	75.6	9.26	90.0	11.58	104.8	14.10	112.0	15.56	119.2	17.06	134.0	19.06	137.6	19.22
	21	75.6	9.46	90.0	11.86	104.8	14.58	112.0	16.10	119.2	17.70	134.0	19.50	136.8	19.64
	23	75.6	10.02	90.0	12.68	104.8	15.66	112.0	17.26	119.2	18.96	132.2	20.42	135.0	20.58
	25	75.6	10.64	90.0	13.52	104.8	16.72	112.0	18.48	119.2	20.28	130.2	21.28	132.8	21.46
	27	75.6	11.38	90.0	14.44	104.8	17.90	112.0	19.74	119.2	21.56	128.2	22.28	131.2	22.46
	29	75.6	12.10	90.0	15.42	104.8	19.10	112.0	21.10	119.2	22.82	126.4	23.18	129.2	23.36
	31	75.6	12.94	90.0	16.44	104.8	20.36	112.0	22.50	119.2	23.98	124.4	24.08	127.2	24.28
	33	75.6	13.70	90.0	17.50	104.8	21.74	112.0	24.02	119.2	24.88	122.6	24.98	125.2	25.18
	35	75.6	14.58	90.0	18.62	104.8	23.14	112.0	25.62	117.4	25.78	120.6	25.88	123.2	26.08
	37	75.6	15.16	90.0	19.38	104.8	23.80	112.0	26.06	115.4	26.18	118.8	26.30	121.6	26.54
39	75.6	15.74	90.0	20.16	104.8	24.42	112.0	26.48	113.6	26.60	116.8	26.70	119.6	26.94	

Notes:

1. TC: Total Capacity(kW) PI : Power Input(kW)(Comp. + Outdoor fan motor)
2. Capacity tables show the average value of conditions which may occur.

7. Capacity Tables

Cooling Capacity(40HP)

Combination (%)	Outdoor air temp °C DB	Indoor air temp. (DB/WB, °C)													
		20		23		26		27		28		30		32	
		14		16		18		19		20		22		24	
		TC	PI	TC	PI	TC	PI	TC	PI	TC	PI	TC	PI	TC	PI
90	10	68.0	7.14	81.2	8.68	94.4	10.28	100.8	11.12	107.2	11.94	120.4	13.30	133.6	13.40
	12	68.0	7.36	81.2	9.02	94.4	10.64	100.8	11.42	107.2	12.32	120.4	14.00	133.6	14.14
	14	68.0	7.60	81.2	9.38	94.4	11.08	100.8	11.90	107.2	12.86	120.4	14.80	133.6	14.94
	16	68.0	7.82	81.2	9.70	94.4	11.56	100.8	12.48	107.2	13.54	120.4	15.22	133.6	15.72
	18	68.0	8.06	81.2	10.06	94.4	11.94	100.8	12.94	107.2	13.90	120.4	15.56	133.6	16.52
	20	68.0	8.34	81.2	10.30	94.4	12.18	100.8	13.18	107.2	14.42	120.4	16.66	133.6	17.30
	21	68.0	8.52	81.2	10.40	94.4	12.42	100.8	13.62	107.2	14.96	120.4	17.26	133.6	17.70
	23	68.0	8.76	81.2	10.84	94.4	13.28	100.8	14.62	107.2	16.00	120.4	18.38	131.8	18.54
	25	68.0	9.20	81.2	11.54	94.4	14.18	100.8	15.62	107.2	17.10	120.4	19.18	129.8	19.32
	27	68.0	9.82	81.2	12.32	94.4	15.14	100.8	16.68	107.2	18.30	120.4	20.08	128.0	20.24
	29	68.0	10.40	81.2	13.14	94.4	16.20	100.8	17.82	107.2	19.56	120.4	20.88	126.0	21.06
	31	68.0	11.08	81.2	14.00	94.4	17.26	100.8	18.98	107.2	20.84	120.4	21.70	124.2	21.86
	33	68.0	11.78	81.2	14.90	94.4	18.40	100.8	20.22	107.2	22.12	120.4	22.50	122.2	22.68
	35	68.0	12.50	81.2	15.82	94.4	19.56	100.8	21.56	107.2	23.22	118.4	23.30	120.4	23.50
	37	68.0	13.28	81.2	16.82	94.4	20.84	100.8	22.90	107.2	23.60	116.4	23.68	118.4	23.90
	39	68.0	14.06	81.2	17.90	94.4	22.00	100.8	23.86	107.2	23.96	114.6	24.06	116.6	24.28
80	10	60.4	7.14	72.0	8.68	83.6	10.28	89.6	11.12	95.6	11.94	107.2	13.30	118.8	13.40
	12	60.4	7.36	72.0	8.94	83.6	10.56	89.6	11.38	95.6	12.20	107.2	13.94	118.8	14.14
	14	60.4	7.60	72.0	9.14	83.6	10.72	89.6	11.58	95.6	12.40	107.2	14.20	118.8	14.94
	16	60.4	7.70	72.0	9.30	83.6	10.92	89.6	11.80	95.6	12.66	107.2	14.50	118.8	15.72
	18	60.4	7.86	72.0	9.44	83.6	11.14	89.6	12.00	95.6	12.92	107.2	14.76	118.8	16.08
	20	60.4	8.02	72.0	9.64	83.6	11.38	89.6	12.26	95.6	13.18	107.2	15.32	118.8	17.20
	21	60.4	8.06	72.0	9.76	83.6	11.48	89.6	12.40	95.6	13.48	107.2	15.80	118.8	17.70
	23	60.4	8.22	72.0	9.90	83.6	12.00	89.6	13.18	95.6	14.40	107.2	16.68	118.8	18.54
	25	60.4	8.52	72.0	10.56	83.6	12.86	89.6	14.10	95.6	15.42	107.2	17.86	118.8	19.32
	27	60.4	9.04	72.0	11.24	83.6	13.74	89.6	15.06	95.6	16.44	107.2	18.98	118.8	20.24
	29	60.4	9.60	72.0	12.00	83.6	14.60	89.6	16.04	95.6	17.56	107.2	20.32	118.8	21.06
	31	60.4	10.22	72.0	12.72	83.6	15.58	89.6	17.10	95.6	18.68	107.2	21.56	118.8	21.86
	33	60.4	10.82	72.0	13.58	83.6	16.60	89.6	18.22	95.6	19.92	107.2	22.50	118.8	22.68
	35	60.4	11.48	72.0	14.40	83.6	17.66	89.6	19.40	95.6	21.24	107.2	23.30	117.6	23.50
	37	60.4	12.16	72.0	15.30	83.6	18.74	89.6	20.62	95.6	22.56	107.2	23.68	115.6	23.90
	39	60.4	12.84	72.0	16.18	83.6	19.84	89.6	21.74	95.6	23.96	107.2	24.06	113.8	24.28
70	10	52.8	6.56	63.2	7.80	73.2	9.04	78.4	9.76	83.6	10.44	93.6	11.88	104.0	13.30
	12	52.8	6.66	63.2	7.90	73.2	9.24	78.4	9.92	83.6	10.64	93.6	12.10	104.0	13.54
	14	52.8	6.76	63.2	8.00	73.2	9.40	78.4	10.08	83.6	10.80	93.6	12.34	104.0	13.78
	16	52.8	6.88	63.2	8.16	73.2	9.56	78.4	10.28	83.6	11.00	93.6	12.56	104.0	14.08
	18	52.8	6.98	63.2	8.32	73.2	9.76	78.4	10.48	83.6	11.22	93.6	12.76	104.0	14.34
	20	52.8	7.08	63.2	8.48	73.2	9.92	78.4	10.70	83.6	11.48	93.6	13.08	104.0	14.88
	21	52.8	7.18	63.2	8.52	73.2	10.02	78.4	10.80	83.6	11.58	93.6	13.28	104.0	15.36
	23	52.8	7.28	63.2	8.74	73.2	10.24	78.4	11.16	83.6	12.14	93.6	14.20	104.0	16.20
	25	52.8	7.38	63.2	9.04	73.2	10.90	78.4	11.94	83.6	12.96	93.6	15.20	104.0	17.34
	27	52.8	7.80	63.2	9.66	73.2	11.62	78.4	12.66	83.6	13.84	93.6	16.22	104.0	18.44
	29	52.8	8.32	63.2	10.24	73.2	12.34	78.4	13.48	83.6	14.72	93.6	17.30	104.0	19.74
	31	52.8	8.84	63.2	10.90	73.2	13.18	78.4	14.42	83.6	15.70	93.6	18.44	104.0	20.96
	33	52.8	9.36	63.2	11.52	73.2	14.00	78.4	15.30	83.6	16.68	93.6	19.64	104.0	22.08
	35	52.8	9.86	63.2	12.30	73.2	14.88	78.4	16.28	83.6	17.78	93.6	20.92	104.0	23.42
	37	52.8	10.48	63.2	13.02	73.2	15.82	78.4	17.30	83.6	18.92	93.6	22.26	104.0	23.90
	39	52.8	11.02	63.2	13.76	73.2	16.74	78.4	18.26	83.6	20.02	93.6	23.60	104.0	24.28
60	10	45.2	5.76	54.0	6.74	62.8	7.84	67.2	8.42	71.6	8.94	80.4	10.14	89.2	11.34
	12	45.2	5.86	54.0	6.84	62.8	7.94	67.2	8.52	71.6	9.10	80.4	10.30	89.2	11.56
	14	45.2	5.90	54.0	6.96	62.8	8.10	67.2	8.68	71.6	9.26	80.4	10.50	89.2	11.76
	16	45.2	6.02	54.0	7.10	62.8	8.20	67.2	8.84	71.6	9.46	80.4	10.72	89.2	11.98
	18	45.2	6.12	54.0	7.22	62.8	8.36	67.2	9.00	71.6	9.62	80.4	10.88	89.2	12.24
	20	45.2	6.22	54.0	7.32	62.8	8.52	67.2	9.14	71.6	9.78	80.4	11.08	89.2	12.50
	21	45.2	6.28	54.0	7.38	62.8	8.62	67.2	9.26	71.6	9.88	80.4	11.24	89.2	12.60
	23	45.2	6.38	54.0	7.52	62.8	8.74	67.2	9.42	71.6	10.08	80.4	11.66	89.2	13.38
	25	45.2	6.48	54.0	7.68	62.8	9.10	67.2	9.88	71.6	10.72	80.4	12.44	89.2	14.32
	27	45.2	6.70	54.0	8.10	62.8	9.68	67.2	10.50	71.6	11.40	80.4	13.22	89.2	15.26
	29	45.2	7.10	54.0	8.62	62.8	10.30	67.2	11.18	71.6	12.12	80.4	14.12	89.2	16.32
	31	45.2	7.52	54.0	9.14	62.8	10.92	67.2	11.92	71.6	12.92	80.4	15.06	89.2	17.36
	33	45.2	7.94	54.0	9.68	62.8	11.60	67.2	12.66	71.6	13.74	80.4	16.00	89.2	18.50
	35	45.2	8.42	54.0	10.30	62.8	12.34	67.2	13.44	71.6	14.58	80.4	17.04	89.2	19.66
	37	45.2	8.88	54.0	10.86	62.8	13.06	67.2	14.28	71.6	15.48	80.4	18.08	89.2	20.92
	39	45.2	9.36	54.0	11.46	62.8	13.84	67.2	15.16	71.6	16.32	80.4	19.20	89.2	22.18

Notes:

1. TC: Total Capacity(kW) PI : Power Input(kW)(Comp. + Outdoor fan motor)
2. Capacity tables show the average value of conditions which may occur.

7. Capacity Tables

Cooling Capacity(40HP)

Combination (%)	Outdoor air temp °C DB	Indoor air temp. (DB/WB, °C)													
		20		23		26		27		28		30		32	
		14		16		18		19		20		22		24	
		TC	PI	TC	PI	TC	PI	TC	PI	TC	PI	TC	PI	TC	PI
50	10	37.8	5.02	45.2	5.82	52.4	6.62	56.0	7.08	59.6	7.52	66.8	8.46	74.4	9.42
	12	37.8	5.08	45.2	5.88	52.4	6.72	56.0	7.20	59.6	7.66	66.8	8.62	74.4	9.58
	14	37.8	5.14	45.2	5.98	52.4	6.82	56.0	7.30	59.6	7.78	66.8	8.72	74.4	9.74
	16	37.8	5.24	45.2	6.08	52.4	6.92	56.0	7.46	59.6	7.88	66.8	8.88	74.4	9.90
	18	37.8	5.28	45.2	6.14	52.4	7.04	56.0	7.56	59.6	8.04	66.8	9.04	74.4	10.10
	20	37.8	5.34	45.2	6.24	52.4	7.20	56.0	7.66	59.6	8.20	66.8	9.20	74.4	10.32
	21	37.8	5.40	45.2	6.30	52.4	7.24	56.0	7.78	59.6	8.26	66.8	9.30	74.4	10.42
	23	37.8	5.50	45.2	6.40	52.4	7.36	56.0	7.88	59.6	8.40	66.8	9.46	74.4	10.64
	25	37.8	5.56	45.2	6.50	52.4	7.52	56.0	8.04	59.6	8.68	66.8	9.94	74.4	11.38
	27	37.8	5.66	45.2	6.72	52.4	7.94	56.0	8.56	59.6	9.20	66.8	10.64	74.4	12.12
	29	37.8	5.98	45.2	7.14	52.4	8.40	56.0	9.10	59.6	9.78	66.8	11.26	74.4	12.86
	31	37.8	6.30	45.2	7.56	52.4	8.94	56.0	9.62	59.6	10.42	66.8	12.00	74.4	13.70
	33	37.8	6.66	45.2	7.98	52.4	9.46	56.0	10.20	59.6	11.06	66.8	12.74	74.4	14.60
	35	37.8	7.04	45.2	8.46	52.4	10.00	56.0	10.84	59.6	11.68	66.8	13.48	74.4	15.50
	37	37.8	7.46	45.2	8.94	52.4	10.58	56.0	11.48	59.6	12.38	66.8	14.38	74.4	16.44
39	37.8	7.80	45.2	9.40	52.4	11.22	56.0	12.12	59.6	13.02	66.8	15.18	74.4	17.42	

Notes:

1. TC: Total Capacity(kW) PI : Power Input(kW)(Comp. + Outdoor fan motor)
2. Capacity tables show the average value of conditions which may occur.

7. Capacity Tables

ARUB420LTE4

Cooling Capacity(42HP)

Combination (%)	Outdoor air temp °C DB	Indoor air temp. (DB/WB, °C)													
		20		23		26		27		28		30		32	
		14		16		18		19		20		22		24	
		TC	PI	TC	PI	TC	PI	TC	PI	TC	PI	TC	PI	TC	PI
130	10	107.5	10.06	128.1	12.30	148.6	14.26	154.2	14.54	156.1	14.71	160.0	14.78	163.8	14.87
	12	107.5	10.31	128.1	12.73	148.6	14.85	152.1	14.94	154.7	15.24	157.8	15.38	161.7	15.46
	14	107.5	10.66	128.1	13.19	148.2	15.41	150.3	15.52	152.1	15.78	156.1	15.94	160.0	16.05
	16	107.5	11.05	128.1	13.65	146.5	16.10	148.2	16.25	149.9	16.36	153.8	16.52	157.8	16.66
	18	107.5	11.50	128.1	14.45	144.2	16.97	146.1	17.10	148.2	17.20	152.1	17.28	156.1	17.39
	20	107.5	12.02	128.1	15.38	142.0	17.77	144.5	17.93	146.1	18.03	149.9	18.12	153.8	18.24
	21	107.5	12.33	128.1	15.93	141.2	18.17	143.3	18.37	145.2	18.46	149.1	18.55	153.0	18.65
	23	107.5	13.23	128.1	17.09	139.4	18.95	141.2	19.14	143.3	19.30	146.8	19.40	150.8	19.51
	25	107.5	14.13	128.1	18.26	137.2	19.80	139.5	20.00	141.2	20.13	145.2	20.24	149.1	20.36
	27	107.5	15.12	128.1	19.52	135.6	20.66	137.2	20.80	139.5	20.97	143.3	21.08	146.8	21.20
	29	107.5	16.10	128.1	20.88	133.2	21.51	135.3	21.67	137.2	21.81	141.2	21.92	145.2	22.05
	31	107.5	17.19	127.6	21.98	131.1	22.37	133.2	22.52	135.3	22.65	139.0	22.77	142.8	22.90
	33	107.5	18.31	125.5	22.82	129.3	23.23	131.4	23.37	133.2	23.49	137.2	23.61	140.7	23.75
	35	107.5	19.52	123.2	23.66	127.2	24.07	129.3	24.24	131.4	24.33	135.1	24.45	139.0	24.60
	37	107.5	20.22	121.5	24.11	125.5	24.55	127.2	24.75	129.3	24.84	132.8	24.91	136.8	25.11
	39	107.5	20.90	119.3	24.60	123.2	25.04	125.5	25.22	127.2	25.31	131.1	25.39	135.1	25.58
120	10	99.4	9.05	118.3	11.10	137.4	13.19	147.2	14.25	154.2	14.47	157.7	14.54	161.2	14.59
	12	99.4	9.29	118.3	11.46	137.4	13.71	147.2	14.54	152.0	15.02	155.4	15.19	159.0	15.26
	14	99.4	9.61	118.3	11.86	137.4	14.27	147.2	15.10	149.8	15.55	153.7	15.79	157.2	15.93
	16	99.4	9.96	118.3	12.34	137.4	14.82	146.3	15.91	148.2	16.27	151.5	16.35	155.0	16.53
	18	99.4	10.35	118.3	12.90	137.4	15.72	144.1	16.80	145.8	17.11	149.4	17.19	153.3	17.25
	20	99.4	10.74	118.3	13.67	137.4	16.75	142.3	17.77	144.1	17.95	147.5	18.03	151.2	18.10
	21	99.4	11.07	118.3	14.18	137.4	17.33	141.0	18.17	142.8	18.37	146.7	18.43	150.3	18.51
	23	99.4	11.83	118.3	15.16	137.4	18.49	139.3	18.99	141.0	19.21	144.5	19.27	148.2	19.35
	25	99.4	12.64	118.3	16.25	135.3	19.49	137.0	19.84	138.9	20.04	142.8	20.11	146.3	20.19
	27	99.4	13.50	118.3	17.36	133.5	20.49	135.3	20.66	137.0	20.87	140.7	20.94	144.1	21.03
	29	99.4	14.40	118.3	18.54	131.4	21.34	133.2	21.50	134.9	21.70	138.4	21.78	142.3	21.87
	31	99.4	15.34	118.3	19.79	129.3	22.22	131.4	22.31	133.2	22.53	136.7	22.62	140.2	22.73
	33	99.4	16.33	118.3	21.11	127.5	23.04	129.3	23.18	130.9	23.37	134.4	23.46	138.0	23.57
	35	99.4	17.36	118.3	22.50	125.3	23.93	126.9	24.02	129.3	24.21	132.7	24.30	136.2	24.41
	37	99.4	18.14	118.3	23.04	123.5	24.33	125.3	24.50	126.9	24.59	130.5	24.75	134.0	24.81
	39	99.4	18.90	117.9	23.59	121.3	24.77	123.0	24.94	124.8	25.02	128.8	25.17	132.3	25.25
110	10	91.0	8.14	108.5	9.92	126.0	11.78	134.7	12.75	143.5	13.72	154.5	14.28	157.9	14.34
	12	91.0	8.39	108.5	10.26	126.0	12.27	134.7	13.12	143.5	14.24	152.7	14.84	155.7	15.04
	14	91.0	8.66	108.5	10.71	126.0	12.83	134.7	13.76	143.5	14.95	150.5	15.38	154.0	15.71
	16	91.0	8.96	108.5	11.10	126.0	13.36	134.7	14.37	143.5	15.87	148.7	16.25	151.7	16.36
	18	91.0	9.29	108.5	11.58	126.0	14.13	134.7	15.32	143.5	16.80	146.5	17.09	150.0	17.14
	20	91.0	9.62	108.5	12.15	126.0	14.98	134.7	16.32	141.2	17.72	144.9	17.91	147.9	17.98
	21	91.0	9.84	108.5	12.51	126.0	15.52	134.7	16.91	140.4	18.12	143.5	18.33	147.0	18.40
	23	91.0	10.48	108.5	13.41	126.0	16.65	134.7	17.93	138.2	18.99	141.6	19.16	144.9	19.24
	25	91.0	11.20	108.5	14.31	126.0	17.81	134.7	18.99	136.5	19.79	139.5	20.00	143.1	20.08
	27	91.0	11.97	108.5	15.29	126.0	19.07	132.6	20.05	134.4	20.72	137.7	20.83	140.9	20.91
	29	91.0	12.78	108.5	16.33	126.0	20.33	130.7	20.89	132.6	21.56	135.6	21.67	139.1	21.74
	31	91.0	13.58	108.5	17.41	126.0	21.73	128.6	21.82	130.4	22.39	133.9	22.48	136.9	22.58
	33	91.0	14.49	108.5	18.54	125.1	22.95	126.9	22.79	128.6	23.23	131.7	23.32	135.1	23.42
	35	91.0	15.38	108.5	19.79	123.0	23.76	124.6	23.85	126.4	24.07	129.5	24.16	133.0	24.26
	37	91.0	15.99	108.5	20.40	121.2	24.18	123.0	24.21	124.2	24.41	127.7	24.56	130.7	24.63
	39	91.0	16.61	108.5	20.99	119.0	24.55	120.6	24.60	122.5	24.80	125.5	24.94	129.0	25.02
100	10	79.4	7.94	94.5	9.65	110.1	11.45	117.6	12.36	125.1	13.29	140.7	14.79	154.5	14.91
	12	79.4	8.20	94.5	10.04	110.1	11.84	117.6	12.71	125.1	13.71	140.7	15.58	152.4	15.75
	14	79.4	8.46	94.5	10.44	110.1	12.33	117.6	13.26	125.1	14.30	140.7	16.46	150.8	16.61
	16	79.4	8.71	94.5	10.78	110.1	12.85	117.6	13.88	125.1	15.08	140.7	17.25	148.7	17.50
	18	79.4	8.96	94.5	11.19	110.1	13.35	117.6	14.56	125.1	15.98	140.7	18.24	146.6	18.38
	20	79.4	9.28	94.5	11.61	110.1	14.13	117.6	15.60	125.1	17.10	140.7	19.10	144.5	19.26
	21	79.4	9.48	94.5	11.89	110.1	14.61	117.6	16.13	125.1	17.74	140.7	19.54	143.7	19.70
	23	79.4	10.04	94.5	12.71	110.1	15.69	117.6	17.30	125.1	19.01	138.6	20.46	141.9	20.62
	25	79.4	10.67	94.5	13.55	110.1	16.75	117.6	18.51	125.1	20.32	136.8	21.34	139.5	21.50
	27	79.4	11.40	94.5	14.47	110.1	17.93	117.6	19.79	125.1	21.61	134.7	22.34	137.7	22.51
	29	79.4	12.13	94.5	15.45	110.1	19.15	117.6	21.14	125.1	22.86	132.7	23.24	135.6	23.42
	31	79.4	12.97	94.5	16.47	110.1	20.41	117.6	22.55	125.1	24.03	130.7	24.13	133.5	24.34
	33	79.4	13.74	94.5	17.55	110.1	21.78	117.6	24.08	125.1	24.93	128.7	25.04	131.4	25.24
	35	79.4	14.61	94.5	18.66	110.1	23.19	117.6	25.68	123.2	25.84	126.7	25.94	129.3	26.15
	37	79.4	15.20	94.5	19.44	110.1	23.85	117.6	26.12	121.3	26.24	124.7	26.36	127.7	26.59
	39	79.4	15.78	94.5	20.21	110.1	24.48	117.6	26.55	119.2	26.67	122.7	26.76	125.6	27.02

Notes:
 1. TC: Total Capacity(kW) PI : Power Input(kW)(Comp. + Outdoor fan motor)
 2. Capacity tables show the average value of conditions which may occur.

7. Capacity Tables

Cooling Capacity(42HP)

Combination (%)	Outdoor air temp °C DB	Indoor air temp. (DB/WB, °C)													
		20		23		26		27		28		30		32	
		14		16		18		19		20		22		24	
		TC	PI	TC	PI	TC	PI	TC	PI	TC	PI	TC	PI	TC	PI
90	10	71.4	7.03	85.2	8.52	99.1	10.09	105.9	10.89	112.5	11.71	126.4	13.06	140.3	13.61
	12	71.4	7.22	85.2	8.78	99.1	10.37	105.9	11.16	112.5	12.04	126.4	13.56	140.3	14.19
	14	71.4	7.40	85.2	9.04	99.1	10.68	105.9	11.50	112.5	12.41	126.4	13.91	140.3	14.80
	16	71.4	7.58	85.2	9.23	99.1	10.92	105.9	11.76	112.5	12.66	126.4	14.17	140.3	15.41
	18	71.4	7.76	85.2	9.41	99.1	11.11	105.9	12.04	112.5	12.93	126.4	14.48	140.3	16.19
	20	71.4	7.89	85.2	9.58	99.1	11.33	105.9	12.26	112.5	13.42	126.4	15.49	140.3	16.96
	21	71.4	7.98	85.2	9.67	99.1	11.55	105.9	12.66	112.5	13.91	126.4	16.06	140.3	17.35
	23	71.4	8.15	85.2	10.07	99.1	12.35	105.9	13.60	112.5	14.89	126.4	17.21	138.3	18.16
	25	71.4	8.56	85.2	10.74	99.1	13.20	105.9	14.53	112.5	15.91	126.4	18.41	136.4	18.95
	27	71.4	9.14	85.2	11.46	99.1	14.08	105.9	15.51	112.5	17.03	126.4	19.45	134.4	19.84
	29	71.4	9.67	85.2	12.21	99.1	15.07	105.9	16.58	112.5	18.18	126.4	20.49	132.3	20.63
	31	71.4	10.30	85.2	13.02	99.1	16.04	105.9	17.66	112.5	19.39	126.4	21.29	130.4	21.43
	33	71.4	10.96	85.2	13.86	99.1	17.12	105.9	18.81	112.5	20.57	126.4	22.08	128.4	22.23
	35	71.4	11.63	85.2	14.71	99.1	18.18	105.9	20.06	112.5	21.81	124.2	22.88	126.4	23.03
	37	71.4	12.35	85.2	15.65	99.1	19.39	105.9	21.31	112.5	22.87	122.2	23.39	124.4	23.55
	39	71.4	13.07	85.2	16.64	99.1	20.53	105.9	22.46	112.5	23.58	120.2	23.90	122.3	24.06
80	10	63.4	6.91	75.6	8.31	87.8	9.76	94.1	10.53	100.4	11.30	112.5	12.86	124.8	13.38
	12	63.4	7.06	75.6	8.42	87.8	9.96	94.1	10.72	100.4	11.48	112.5	13.13	124.8	13.97
	14	63.4	7.15	75.6	8.60	87.8	10.10	94.1	10.91	100.4	11.68	112.5	13.36	124.8	14.49
	16	63.4	7.27	75.6	8.74	87.8	10.28	94.1	11.09	100.4	11.93	112.5	13.65	124.8	14.82
	18	63.4	7.40	75.6	8.90	87.8	10.48	94.1	11.30	100.4	12.16	112.5	13.90	124.8	15.14
	20	63.4	7.54	75.6	9.08	87.8	10.72	94.1	11.54	100.4	12.40	112.5	14.42	124.8	16.21
	21	63.4	7.58	75.6	9.19	87.8	10.82	94.1	11.68	100.4	12.70	112.5	14.88	124.8	16.80
	23	63.4	7.74	75.6	9.33	87.8	11.30	94.1	12.40	100.4	13.56	112.5	15.71	124.8	17.96
	25	63.4	8.03	75.6	9.96	87.8	12.11	94.1	13.26	100.4	14.51	112.5	16.80	124.8	18.94
	27	63.4	8.51	75.6	10.57	87.8	12.93	94.1	14.17	100.4	15.48	112.5	17.86	124.8	19.84
	29	63.4	9.03	75.6	11.30	87.8	13.74	94.1	15.10	100.4	16.53	112.5	19.13	124.8	20.63
	31	63.4	9.62	75.6	11.97	87.8	14.67	94.1	16.10	100.4	17.59	112.5	20.31	124.8	21.43
	33	63.4	10.19	75.6	12.79	87.8	15.62	94.1	17.16	100.4	18.74	112.5	21.39	124.8	22.23
	35	63.4	10.82	75.6	13.56	87.8	16.64	94.1	18.27	100.4	19.99	112.5	22.61	123.4	23.03
	37	63.4	11.43	75.6	14.42	87.8	17.63	94.1	19.42	100.4	21.24	112.5	23.39	121.4	23.55
	39	63.4	12.09	75.6	15.23	87.8	18.68	94.1	20.46	100.4	22.61	112.5	23.90	119.4	24.06
70	10	55.5	6.25	66.3	7.43	76.8	8.62	82.3	9.30	87.8	9.93	98.3	11.32	109.2	12.67
	12	55.5	6.34	66.3	7.53	76.8	8.80	82.3	9.44	87.8	10.14	98.3	11.51	109.2	12.89
	14	55.5	6.44	66.3	7.62	76.8	8.96	82.3	9.60	87.8	10.28	98.3	11.76	109.2	13.13
	16	55.5	6.55	66.3	7.77	76.8	9.10	82.3	9.80	87.8	10.48	98.3	11.96	109.2	13.42
	18	55.5	6.64	66.3	7.92	76.8	9.30	82.3	9.99	87.8	10.69	98.3	12.15	109.2	13.65
	20	55.5	6.73	66.3	8.07	76.8	9.44	82.3	10.18	87.8	10.92	98.3	12.45	109.2	14.17
	21	55.5	6.85	66.3	8.12	76.8	9.54	82.3	10.28	87.8	11.03	98.3	12.64	109.2	14.62
	23	55.5	6.94	66.3	8.32	76.8	9.74	82.3	10.62	87.8	11.56	98.3	13.53	109.2	15.44
	25	55.5	7.03	66.3	8.62	76.8	10.39	82.3	11.37	87.8	12.35	98.3	14.46	109.2	16.51
	27	55.5	7.43	66.3	9.20	76.8	11.08	82.3	12.06	87.8	13.19	98.3	15.44	109.2	17.55
	29	55.5	7.92	66.3	9.74	76.8	11.76	82.3	12.85	87.8	14.02	98.3	16.48	109.2	18.80
	31	55.5	8.41	66.3	10.39	76.8	12.55	82.3	13.73	87.8	14.96	98.3	17.56	109.2	19.95
	33	55.5	8.91	66.3	10.96	76.8	13.33	82.3	14.56	87.8	15.90	98.3	18.70	109.2	21.03
	35	55.5	9.40	66.3	11.72	76.8	14.17	82.3	15.50	87.8	16.93	98.3	19.92	109.2	22.29
	37	55.5	9.99	66.3	12.40	76.8	15.05	82.3	16.48	87.8	18.01	98.3	21.21	109.2	23.39
	39	55.5	10.51	66.3	13.10	76.8	15.94	82.3	17.39	87.8	19.07	98.3	22.47	109.2	24.06
60	10	47.4	5.53	56.7	6.49	66.0	7.56	70.5	8.11	75.2	8.61	84.4	9.77	93.6	10.92
	12	47.4	5.64	56.7	6.60	66.0	7.65	70.5	8.20	75.2	8.76	84.4	9.91	93.6	11.12
	14	47.4	5.69	56.7	6.69	66.0	7.81	70.5	8.36	75.2	8.91	84.4	10.12	93.6	11.33
	16	47.4	5.78	56.7	6.85	66.0	7.90	70.5	8.51	75.2	9.12	84.4	10.33	93.6	11.53
	18	47.4	5.90	56.7	6.95	66.0	8.05	70.5	8.66	75.2	9.27	84.4	10.47	93.6	11.78
	20	47.4	5.99	56.7	7.05	66.0	8.20	70.5	8.82	75.2	9.42	84.4	10.67	93.6	12.04
	21	47.4	6.04	56.7	7.10	66.0	8.31	70.5	8.91	75.2	9.52	84.4	10.82	93.6	12.13
	23	47.4	6.14	56.7	7.25	66.0	8.41	70.5	9.07	75.2	9.72	84.4	11.22	93.6	12.89
	25	47.4	6.24	56.7	7.40	66.0	8.76	70.5	9.52	75.2	10.33	84.4	11.99	93.6	13.80
	27	47.4	6.44	56.7	7.81	66.0	9.31	70.5	10.12	75.2	10.97	84.4	12.74	93.6	14.70
	29	47.4	6.85	56.7	8.31	66.0	9.91	70.5	10.78	75.2	11.68	84.4	13.59	93.6	15.72
	31	47.4	7.25	56.7	8.82	66.0	10.52	70.5	11.47	75.2	12.43	84.4	14.50	93.6	16.72
	33	47.4	7.65	56.7	9.31	66.0	11.17	70.5	12.18	75.2	13.25	84.4	15.41	93.6	17.82
	35	47.4	8.11	56.7	9.91	66.0	11.88	70.5	12.94	75.2	14.04	84.4	16.41	93.6	18.94
	37	47.4	8.56	56.7	10.47	66.0	12.59	70.5	13.74	75.2	14.90	84.4	17.42	93.6	20.15
	39	47.4	9.01	56.7	11.03	66.0	13.32	70.5	14.60	75.2	15.72	84.4	18.50	93.6	21.36

Notes:
 1. TC: Total Capacity(kW) PI : Power Input(kW)(Comp. + Outdoor fan motor)
 2. Capacity tables show the average value of conditions which may occur.

7. Capacity Tables

Cooling Capacity(42HP)

Combination (%)	Outdoor air temp °C DB	Indoor air temp. (DB/WB, °C)													
		20		23		26		27		28		30		32	
		14		16		18		19		20		22		24	
		TC	PI	TC	PI	TC	PI	TC	PI	TC	PI	TC	PI	TC	PI
50	10	39.7	4.89	47.4	5.66	55.0	6.44	58.8	6.91	62.6	7.31	70.2	8.23	78.1	9.16
	12	39.7	4.94	47.4	5.72	55.0	6.53	58.8	7.00	62.6	7.47	70.2	8.40	78.1	9.32
	14	39.7	5.00	47.4	5.82	55.0	6.65	58.8	7.10	62.6	7.57	70.2	8.49	78.1	9.47
	16	39.7	5.09	47.4	5.92	55.0	6.74	58.8	7.26	62.6	7.66	70.2	8.65	78.1	9.63
	18	39.7	5.15	47.4	5.96	55.0	6.84	58.8	7.36	62.6	7.83	70.2	8.80	78.1	9.84
	20	39.7	5.21	47.4	6.08	55.0	7.00	58.8	7.47	62.6	7.98	70.2	8.96	78.1	10.04
	21	39.7	5.25	47.4	6.13	55.0	7.05	58.8	7.57	62.6	8.04	70.2	9.06	78.1	10.14
	23	39.7	5.35	47.4	6.23	55.0	7.16	58.8	7.66	62.6	8.19	70.2	9.22	78.1	10.35
	25	39.7	5.41	47.4	6.34	55.0	7.31	58.8	7.83	62.6	8.44	70.2	9.68	78.1	11.07
	27	39.7	5.51	47.4	6.53	55.0	7.72	58.8	8.35	62.6	8.96	70.2	10.35	78.1	11.79
	29	39.7	5.82	47.4	6.95	55.0	8.19	58.8	8.85	62.6	9.53	70.2	10.97	78.1	12.51
	31	39.7	6.13	47.4	7.36	55.0	8.70	58.8	9.36	62.6	10.14	70.2	11.68	78.1	13.33
	33	39.7	6.49	47.4	7.78	55.0	9.22	58.8	9.93	62.6	10.76	70.2	12.41	78.1	14.21
	35	39.7	6.84	47.4	8.23	55.0	9.73	58.8	10.55	62.6	11.38	70.2	13.13	78.1	15.09
	37	39.7	7.26	47.4	8.70	55.0	10.30	58.8	11.17	62.6	12.04	70.2	14.00	78.1	16.01
	39	39.7	7.59	47.4	9.15	55.0	10.93	58.8	11.79	62.6	12.67	70.2	14.78	78.1	16.95

Notes:

1. TC: Total Capacity(kW) PI : Power Input(kW)(Comp. + Outdoor fan motor)
2. Capacity tables show the average value of conditions which may occur.

7. Capacity Tables

ARUB440LTE4

Cooling Capacity(44HP)

Combination (%)	Outdoor air temp °C DB	Indoor air temp. (DB/WB, °C)													
		20		23		26		27		28		30		32	
		14		16		18		19		20		22		24	
		TC	PI	TC	PI	TC	PI	TC	PI	TC	PI	TC	PI	TC	PI
130	10	112.6	10.78	134.2	13.17	155.7	15.28	161.6	15.58	163.5	15.76	167.6	15.83	171.7	15.93
	12	112.6	11.05	134.2	13.64	155.7	15.91	159.3	16.00	162.1	16.32	165.3	16.48	169.4	16.56
	14	112.6	11.41	134.2	14.13	155.3	16.51	157.5	16.62	159.3	16.90	163.5	17.07	167.6	17.19
	16	112.6	11.83	134.2	14.63	153.4	17.24	155.3	17.41	157.1	17.52	161.2	17.70	165.3	17.85
	18	112.6	12.32	134.2	15.48	151.1	18.18	153.0	18.32	155.3	18.42	159.3	18.51	163.5	18.63
	20	112.6	12.88	134.2	16.48	148.7	19.04	151.4	19.21	153.0	19.32	157.1	19.41	161.2	19.54
	21	112.6	13.21	134.2	17.06	147.9	19.47	150.2	19.68	152.1	19.77	156.2	19.87	160.3	19.98
	23	112.6	14.17	134.2	18.31	146.1	20.31	147.9	20.51	150.1	20.67	153.8	20.78	158.0	20.91
	25	112.6	15.14	134.2	19.56	143.8	21.21	146.1	21.42	147.9	21.57	152.1	21.68	156.2	21.81
	27	112.6	16.20	134.2	20.91	142.0	22.14	143.8	22.29	146.1	22.47	150.1	22.58	153.8	22.71
	29	112.6	17.25	134.2	22.37	139.6	23.04	141.7	23.21	143.8	23.37	147.9	23.48	152.1	23.62
	31	112.6	18.41	133.7	23.55	137.3	23.97	139.6	24.12	141.7	24.26	145.6	24.39	149.7	24.54
	33	112.6	19.61	131.4	24.45	135.5	24.88	137.7	25.04	139.6	25.16	143.8	25.29	147.4	25.44
	35	112.6	20.91	129.1	25.35	133.3	25.79	135.5	25.96	137.7	26.06	141.5	26.19	145.6	26.35
	37	112.6	21.66	127.3	25.83	131.4	26.30	133.3	26.51	135.5	26.61	139.2	26.69	143.4	26.90
	39	112.6	22.39	125.0	26.35	129.1	26.83	131.4	27.02	133.3	27.11	137.3	27.20	141.5	27.40
120	10	104.2	9.69	123.9	11.89	144.0	14.13	154.2	15.26	161.5	15.50	165.2	15.57	168.9	15.63
	12	104.2	9.95	123.9	12.28	144.0	14.68	154.2	15.58	159.3	16.08	162.8	16.27	166.6	16.34
	14	104.2	10.30	123.9	12.70	144.0	15.28	154.2	16.18	156.9	16.66	161.0	16.91	164.7	17.06
	16	104.2	10.67	123.9	13.22	144.0	15.87	153.3	17.04	155.2	17.43	158.8	17.52	162.4	17.70
	18	104.2	11.09	123.9	13.82	144.0	16.84	150.9	18.00	152.8	18.33	156.5	18.41	160.6	18.48
	20	104.2	11.51	123.9	14.65	144.0	17.94	149.1	19.04	150.9	19.23	154.6	19.31	158.4	19.39
	21	104.2	11.86	123.9	15.19	144.0	18.57	147.8	19.47	149.6	19.68	153.7	19.74	157.4	19.83
	23	104.2	12.67	123.9	16.24	144.0	19.81	145.9	20.34	147.8	20.58	151.4	20.64	155.2	20.73
	25	104.2	13.54	123.9	17.41	141.8	20.88	143.6	21.26	145.5	21.47	149.6	21.54	153.3	21.63
	27	104.2	14.46	123.9	18.60	139.9	21.95	141.8	22.13	143.6	22.36	147.4	22.44	150.9	22.53
	29	104.2	15.43	123.9	19.86	137.7	22.86	139.5	23.04	141.3	23.24	145.0	23.34	149.1	23.43
	31	104.2	16.44	123.9	21.20	135.4	23.81	137.7	23.90	139.5	24.14	143.2	24.23	146.8	24.35
	33	104.2	17.50	123.9	22.61	133.6	24.68	135.4	24.83	137.2	25.04	140.8	25.13	144.6	25.25
	35	104.2	18.60	123.9	24.10	131.3	25.64	133.0	25.73	135.4	25.93	139.0	26.03	142.7	26.15
	37	104.2	19.44	123.9	24.69	129.4	26.07	131.3	26.24	133.0	26.34	136.8	26.51	140.4	26.58
	39	104.2	20.25	123.5	25.27	127.1	26.53	128.9	26.72	130.7	26.80	134.9	26.96	138.6	27.04
110	10	95.3	8.72	113.7	10.63	132.0	12.61	141.2	13.66	150.3	14.70	161.8	15.30	165.4	15.36
	12	95.3	8.99	113.7	10.99	132.0	13.14	141.2	14.05	150.3	15.25	160.0	15.90	163.2	16.11
	14	95.3	9.27	113.7	11.48	132.0	13.74	141.2	14.74	150.3	16.02	157.7	16.48	161.3	16.83
	16	95.3	9.60	113.7	11.90	132.0	14.31	141.2	15.39	150.3	17.00	155.8	17.41	159.0	17.52
	18	95.3	9.95	113.7	12.40	132.0	15.14	141.2	16.41	150.3	18.00	153.5	18.30	157.2	18.37
	20	95.3	10.31	113.7	13.01	132.0	16.05	141.2	17.48	148.0	18.99	151.8	19.19	154.9	19.26
	21	95.3	10.54	113.7	13.40	132.0	16.62	141.2	18.12	147.1	19.41	150.3	19.64	154.0	19.72
	23	95.3	11.23	113.7	14.37	132.0	17.83	141.2	19.21	144.8	20.34	148.4	20.53	151.8	20.61
	25	95.3	12.00	113.7	15.33	132.0	19.08	141.2	20.34	143.0	21.20	146.2	21.42	149.9	21.51
	27	95.3	12.82	113.7	16.39	132.0	20.43	138.9	21.47	140.8	22.20	144.3	22.32	147.6	22.40
	29	95.3	13.69	113.7	17.50	132.0	21.78	137.0	22.38	138.9	23.09	142.1	23.21	145.7	23.29
	31	95.3	14.55	113.7	18.65	132.0	23.28	134.7	23.37	136.6	23.99	140.2	24.09	143.4	24.19
	33	95.3	15.52	113.7	19.86	131.1	24.59	132.9	24.42	134.7	24.89	138.0	24.98	141.6	25.09
	35	95.3	16.48	113.7	21.20	128.8	25.45	130.6	25.55	132.4	25.78	135.7	25.88	139.3	25.99
	37	95.3	17.13	113.7	21.86	127.0	25.91	128.8	25.93	130.2	26.16	133.8	26.32	137.0	26.39
	39	95.3	17.79	113.7	22.49	124.7	26.30	126.4	26.36	128.3	26.57	131.5	26.72	135.2	26.80
100	10	83.2	8.52	99.0	10.35	115.3	12.29	123.2	13.27	131.1	14.26	147.4	15.87	161.9	16.00
	12	83.2	8.80	99.0	10.78	115.3	12.70	123.2	13.64	131.1	14.71	147.4	16.73	159.7	16.90
	14	83.2	9.07	99.0	11.21	115.3	13.23	123.2	14.23	131.1	15.35	147.4	17.66	158.0	17.83
	16	83.2	9.34	99.0	11.57	115.3	13.79	123.2	14.89	131.1	16.18	147.4	18.52	155.8	18.78
	18	83.2	9.62	99.0	12.01	115.3	14.33	123.2	15.62	131.1	17.15	147.4	19.57	153.6	19.73
	20	83.2	9.96	99.0	12.46	115.3	15.17	123.2	16.74	131.1	18.35	147.4	20.50	151.4	20.67
	21	83.2	10.18	99.0	12.76	115.3	15.68	123.2	17.32	131.1	19.04	147.4	20.97	150.5	21.14
	23	83.2	10.78	99.0	13.64	115.3	16.84	123.2	18.57	131.1	20.40	145.3	21.96	148.6	22.13
	25	83.2	11.45	99.0	14.54	115.3	17.98	123.2	19.87	131.1	21.81	143.3	22.90	146.1	23.08
	27	83.2	12.24	99.0	15.53	115.3	19.25	123.2	21.24	131.1	23.19	141.1	23.97	144.3	24.16
	29	83.2	13.02	99.0	16.59	115.3	20.55	123.2	22.69	131.1	24.54	139.0	24.94	142.1	25.13
	31	83.2	13.92	99.0	17.68	115.3	21.90	123.2	24.20	131.1	25.79	136.9	25.90	139.9	26.12
	33	83.2	14.74	99.0	18.83	115.3	23.38	123.2	25.84	131.1	26.76	134.8	26.87	137.7	27.09
	35	83.2	15.68	99.0	20.03	115.3	24.89	123.2	27.56	129.1	27.73	132.7	27.84	135.5	28.06
	37	83.2	16.31	99.0	20.86	115.3	25.60	123.2	28.03	127.0	28.16	130.7	28.29	133.8	28.54
	39	83.2	16.93	99.0	21.69	115.3	26.27	123.2	28.49	124.9	28.62	128.5	28.72	131.6	28.99

Notes:
 1. TC: Total Capacity(kW) PI : Power Input(kW)(Comp. + Outdoor fan motor)
 2. Capacity tables show the average value of conditions which may occur.

7. Capacity Tables

Cooling Capacity(44HP)

Combination (%)	Outdoor air temp °C DB	Indoor air temp. (DB/WB, °C)													
		20		23		26		27		28		30		32	
		14		16		18		19		20		22		24	
		TC	PI	TC	PI	TC	PI	TC	PI	TC	PI	TC	PI	TC	PI
90	10	74.8	7.56	89.3	9.16	103.8	10.84	110.9	11.71	117.9	12.58	132.4	14.04	147.0	14.59
	12	74.8	7.76	89.3	9.44	103.8	11.15	110.9	12.00	117.9	12.94	132.4	14.58	147.0	15.22
	14	74.8	7.96	89.3	9.72	103.8	11.49	110.9	12.37	117.9	13.35	132.4	15.14	147.0	15.90
	16	74.8	8.15	89.3	9.98	103.8	11.85	110.9	12.78	117.9	13.81	132.4	15.49	147.0	16.56
	18	74.8	8.35	89.3	10.26	103.8	12.15	110.9	13.17	117.9	14.14	132.4	15.83	147.0	17.40
	20	74.8	8.56	89.3	10.48	103.8	12.39	110.9	13.41	117.9	14.67	132.4	16.94	147.0	18.22
	21	74.8	8.70	89.3	10.58	103.8	12.63	110.9	13.85	117.9	15.22	132.4	17.56	147.0	18.65
	23	74.8	8.91	89.3	11.02	103.8	13.51	110.9	14.87	117.9	16.28	132.4	18.76	144.9	19.52
	25	74.8	9.36	89.3	11.74	103.8	14.43	110.9	15.89	117.9	17.40	132.4	19.83	142.9	20.36
	27	74.8	9.99	89.3	12.53	103.8	15.40	110.9	16.96	117.9	18.62	132.4	20.92	140.8	21.32
	29	74.8	10.58	89.3	13.36	103.8	16.48	110.9	18.13	117.9	19.89	132.4	22.02	138.6	22.18
	31	74.8	11.27	89.3	14.24	103.8	17.55	110.9	19.31	117.9	21.20	132.4	22.88	136.6	23.03
	33	74.8	11.98	89.3	15.16	103.8	18.72	110.9	20.57	117.9	22.50	132.4	23.73	134.5	23.89
	35	74.8	12.72	89.3	16.09	103.8	19.89	110.9	21.94	117.9	23.74	130.2	24.58	132.4	24.75
	37	74.8	13.51	89.3	17.11	103.8	21.20	110.9	23.30	117.9	24.60	128.0	25.12	130.3	25.30
39	74.8	14.30	89.3	18.20	103.8	22.42	110.9	24.42	117.9	25.33	126.0	25.66	128.2	25.84	
80	10	66.4	7.44	79.2	8.98	92.0	10.59	98.6	11.44	105.2	12.28	117.9	13.84	130.7	14.36
	12	66.4	7.62	79.2	9.17	92.0	10.84	98.6	11.67	105.2	12.51	117.9	14.30	130.7	15.00
	14	66.4	7.79	79.2	9.37	92.0	11.00	98.6	11.88	105.2	12.72	117.9	14.56	130.7	15.59
	16	66.4	7.91	79.2	9.53	92.0	11.20	98.6	12.09	105.2	12.99	117.9	14.87	130.7	16.13
	18	66.4	8.06	79.2	9.69	92.0	11.42	98.6	12.31	105.2	13.25	117.9	15.14	130.7	16.49
	20	66.4	8.22	79.2	9.89	92.0	11.67	98.6	12.57	105.2	13.51	117.9	15.71	130.7	17.65
	21	66.4	8.26	79.2	10.01	92.0	11.78	98.6	12.72	105.2	13.83	117.9	16.21	130.7	18.23
	23	66.4	8.43	79.2	10.16	92.0	12.31	98.6	13.51	105.2	14.77	117.9	17.11	130.7	19.32
	25	66.4	8.74	79.2	10.84	92.0	13.19	98.6	14.45	105.2	15.81	117.9	18.31	130.7	20.35
	27	66.4	9.27	79.2	11.52	92.0	14.09	98.6	15.44	105.2	16.86	117.9	19.46	130.7	21.32
	29	66.4	9.84	79.2	12.31	92.0	14.97	98.6	16.45	105.2	18.01	117.9	20.84	130.7	22.18
	31	66.4	10.48	79.2	13.04	92.0	15.98	98.6	17.54	105.2	19.16	117.9	22.12	130.7	23.03
	33	66.4	11.10	79.2	13.93	92.0	17.02	98.6	18.69	105.2	20.42	117.9	23.19	130.7	23.89
	35	66.4	11.78	79.2	14.77	92.0	18.12	98.6	19.90	105.2	21.78	117.9	24.31	129.3	24.75
	37	66.4	12.46	79.2	15.70	92.0	19.21	98.6	21.15	105.2	23.13	117.9	25.12	127.2	25.30
39	66.4	13.17	79.2	16.59	92.0	20.35	98.6	22.29	105.2	24.60	117.9	25.66	125.1	25.84	
70	10	58.1	6.78	69.5	8.06	80.5	9.35	86.2	10.09	92.0	10.78	103.0	12.28	114.4	13.75
	12	58.1	6.88	69.5	8.17	80.5	9.55	86.2	10.25	92.0	11.00	103.0	12.50	114.4	13.99
	14	58.1	6.99	69.5	8.27	80.5	9.72	86.2	10.42	92.0	11.16	103.0	12.76	114.4	14.25
	16	58.1	7.11	69.5	8.43	80.5	9.88	86.2	10.63	92.0	11.37	103.0	12.98	114.4	14.56
	18	58.1	7.21	69.5	8.60	80.5	10.09	86.2	10.84	92.0	11.60	103.0	13.19	114.4	14.82
	20	58.1	7.31	69.5	8.76	80.5	10.25	86.2	11.05	92.0	11.86	103.0	13.52	114.4	15.38
	21	58.1	7.43	69.5	8.81	80.5	10.35	86.2	11.16	92.0	11.97	103.0	13.72	114.4	15.87
	23	58.1	7.53	69.5	9.03	80.5	10.58	86.2	11.53	92.0	12.55	103.0	14.68	114.4	16.75
	25	58.1	7.63	69.5	9.35	80.5	11.27	86.2	12.34	92.0	13.40	103.0	15.70	114.4	17.92
	27	58.1	8.06	69.5	9.98	80.5	12.02	86.2	13.09	92.0	14.31	103.0	16.76	114.4	19.05
	29	58.1	8.60	69.5	10.58	80.5	12.76	86.2	13.94	92.0	15.21	103.0	17.88	114.4	20.40
	31	58.1	9.13	69.5	11.27	80.5	13.62	86.2	14.90	92.0	16.23	103.0	19.06	114.4	21.66
	33	58.1	9.67	69.5	11.90	80.5	14.47	86.2	15.81	92.0	17.25	103.0	20.30	114.4	22.82
	35	58.1	10.20	69.5	12.72	80.5	15.38	86.2	16.82	92.0	18.38	103.0	21.62	114.4	24.20
	37	58.1	10.84	69.5	13.46	80.5	16.34	86.2	17.88	92.0	19.55	103.0	23.01	114.4	25.14
39	58.1	11.40	69.5	14.22	80.5	17.30	86.2	18.87	92.0	20.69	103.0	24.39	114.4	25.84	
60	10	49.7	5.99	59.4	7.02	69.1	8.17	73.9	8.77	78.8	9.31	88.4	10.56	98.1	11.81
	12	49.7	6.10	59.4	7.13	69.1	8.27	73.9	8.87	78.8	9.48	88.4	10.72	98.1	12.03
	14	49.7	6.15	59.4	7.24	69.1	8.44	73.9	9.04	78.8	9.64	88.4	10.94	98.1	12.25
	16	49.7	6.26	59.4	7.40	69.1	8.54	73.9	9.21	78.8	9.86	88.4	11.17	98.1	12.47
	18	49.7	6.38	59.4	7.52	69.1	8.70	73.9	9.37	78.8	10.02	88.4	11.33	98.1	12.74
	20	49.7	6.48	59.4	7.62	69.1	8.87	73.9	9.53	78.8	10.19	88.4	11.54	98.1	13.02
	21	49.7	6.54	59.4	7.68	69.1	8.98	73.9	9.64	78.8	10.29	88.4	11.70	98.1	13.12
	23	49.7	6.64	59.4	7.84	69.1	9.10	73.9	9.81	78.8	10.51	88.4	12.14	98.1	13.94
	25	49.7	6.75	59.4	8.00	69.1	9.48	73.9	10.29	78.8	11.17	88.4	12.96	98.1	14.92
	27	49.7	6.97	59.4	8.44	69.1	10.07	73.9	10.94	78.8	11.87	88.4	13.77	98.1	15.89
	29	49.7	7.40	59.4	8.98	69.1	10.72	73.9	11.65	78.8	12.63	88.4	14.70	98.1	17.00
	31	49.7	7.84	59.4	9.53	69.1	11.37	73.9	12.41	78.8	13.45	88.4	15.68	98.1	18.08
	33	49.7	8.27	59.4	10.07	69.1	12.08	73.9	13.18	78.8	14.32	88.4	16.67	98.1	19.27
	35	49.7	8.77	59.4	10.72	69.1	12.85	73.9	14.00	78.8	15.18	88.4	17.75	98.1	20.48
	37	49.7	9.25	59.4	11.32	69.1	13.61	73.9	14.86	78.8	16.12	88.4	18.83	98.1	21.79
39	49.7	9.74	59.4	11.93	69.1	14.41	73.9	15.79	78.8	17.00	88.4	20.00	98.1	23.10	

Notes:
 1. TC: Total Capacity(kW) PI : Power Input(kW)(Comp. + Outdoor fan motor)
 2. Capacity tables show the average value of conditions which may occur.

Outdoor Units

7. Capacity Tables

Cooling Capacity(44HP)

Combination (%)	Outdoor air temp °C DB	Indoor air temp. (DB/WB, °C)													
		20		23		26		27		28		30		32	
		14		16		18		19		20		22		24	
		TC	PI	TC	PI	TC	PI	TC	PI	TC	PI	TC	PI	TC	PI
50	10	41.6	5.27	49.7	6.10	57.6	6.94	61.6	7.44	65.6	7.88	73.5	8.87	81.8	9.88
	12	41.6	5.33	49.7	6.17	57.6	7.04	61.6	7.55	65.6	8.05	73.5	9.05	81.8	10.05
	14	41.6	5.39	49.7	6.27	57.6	7.16	61.6	7.65	65.6	8.16	73.5	9.15	81.8	10.21
	16	41.6	5.49	49.7	6.38	57.6	7.26	61.6	7.83	65.6	8.26	73.5	9.32	81.8	10.38
	18	41.6	5.55	49.7	6.43	57.6	7.38	61.6	7.93	65.6	8.44	73.5	9.48	81.8	10.60
	20	41.6	5.61	49.7	6.55	57.6	7.55	61.6	8.05	65.6	8.60	73.5	9.66	81.8	10.82
	21	41.6	5.66	49.7	6.61	57.6	7.60	61.6	8.16	65.6	8.67	73.5	9.76	81.8	10.93
	23	41.6	5.77	49.7	6.71	57.6	7.72	61.6	8.26	65.6	8.82	73.5	9.93	81.8	11.16
	25	41.6	5.83	49.7	6.83	57.6	7.88	61.6	8.44	65.6	9.10	73.5	10.43	81.8	11.93
	27	41.6	5.94	49.7	7.04	57.6	8.32	61.6	8.99	65.6	9.66	73.5	11.16	81.8	12.71
	29	41.6	6.27	49.7	7.49	57.6	8.82	61.6	9.54	65.6	10.27	73.5	11.82	81.8	13.49
	31	41.6	6.61	49.7	7.93	57.6	9.38	61.6	10.09	65.6	10.93	73.5	12.59	81.8	14.37
	33	41.6	6.99	49.7	8.38	57.6	9.93	61.6	10.70	65.6	11.60	73.5	13.37	81.8	15.32
	35	41.6	7.38	49.7	8.87	57.6	10.49	61.6	11.37	65.6	12.26	73.5	14.15	81.8	16.26
	37	41.6	7.83	49.7	9.38	57.6	11.10	61.6	12.04	65.6	12.98	73.5	15.09	81.8	17.25
	39	41.6	8.18	49.7	9.86	57.6	11.78	61.6	12.71	65.6	13.66	73.5	15.93	81.8	18.27

Notes:

1. TC: Total Capacity(kW) PI : Power Input(kW)(Comp. + Outdoor fan motor)
2. Capacity tables show the average value of conditions which may occur.

7. Capacity Tables

ARUB460LTE4

Cooling Capacity(46HP)

Combination (%)	Outdoor air temp °C DB	Indoor air temp. (DB/WB, °C)													
		20		23		26		27		28		30		32	
		14		16		18		19		20		22		24	
		TC	PI	TC	PI	TC	PI	TC	PI	TC	PI	TC	PI	TC	PI
130	10	117.8	11.60	140.3	14.17	162.8	16.45	169.0	16.77	170.9	16.96	175.2	17.04	179.5	17.14
	12	117.8	11.89	140.3	14.69	162.8	17.12	166.5	17.23	169.4	17.56	172.8	17.74	177.1	17.82
	14	117.8	12.28	140.3	15.21	162.3	17.77	164.7	17.89	166.5	18.20	170.9	18.37	175.2	18.51
	16	117.8	12.73	140.3	15.75	160.4	18.55	162.3	18.74	164.2	18.86	168.5	19.05	172.8	19.21
	18	117.8	13.27	140.3	16.66	157.9	19.56	159.9	19.72	162.3	19.83	166.5	19.93	170.9	20.05
	20	117.8	13.86	140.3	17.74	155.5	20.49	158.3	20.68	159.9	20.80	164.2	20.90	168.5	21.03
	21	117.8	14.22	140.3	18.36	154.6	20.96	157.0	21.18	159.0	21.28	163.3	21.39	167.6	21.51
	23	117.8	15.25	140.3	19.71	152.7	21.86	154.6	22.07	156.9	22.25	160.8	22.36	165.1	22.50
	25	117.8	16.30	140.3	21.06	150.4	22.83	152.7	23.06	154.6	23.22	159.0	23.33	163.3	23.48
	27	117.8	17.43	140.3	22.51	148.4	23.83	150.4	24.00	152.7	24.19	156.9	24.30	160.8	24.45
	29	117.8	18.57	140.3	24.07	146.0	24.81	148.1	24.98	150.4	25.16	154.6	25.27	159.0	25.42
	31	117.8	19.81	139.8	25.35	143.5	25.80	146.0	25.97	148.1	26.11	152.2	26.25	156.5	26.41
	33	117.8	21.11	137.4	26.32	141.7	26.78	144.0	26.95	146.0	27.08	150.4	27.23	154.1	27.39
	35	117.8	22.51	134.9	27.29	139.3	27.76	141.7	27.94	144.0	28.05	147.9	28.20	152.2	28.36
	37	117.8	23.31	133.1	27.81	137.4	28.31	139.3	28.54	141.7	28.65	145.5	28.73	149.9	28.95
	39	117.8	24.10	130.7	28.36	134.9	28.88	137.4	29.09	139.3	29.18	143.5	29.28	147.9	29.49
120	10	109.0	10.43	129.5	12.80	150.6	15.20	161.2	16.42	168.8	16.68	172.7	16.76	176.6	16.82
	12	109.0	10.71	129.5	13.22	150.6	15.81	161.2	16.77	166.5	17.31	170.2	17.52	174.2	17.58
	14	109.0	11.08	129.5	13.67	150.6	16.45	161.2	17.42	164.1	17.94	168.4	18.20	172.2	18.36
	16	109.0	11.49	129.5	14.23	150.6	17.08	160.2	18.34	162.2	18.76	166.0	18.85	169.8	19.05
	18	109.0	11.94	129.5	14.88	150.6	18.13	157.8	19.37	159.8	19.73	163.6	19.81	167.9	19.89
	20	109.0	12.39	129.5	15.77	150.6	19.31	155.9	20.49	157.8	20.70	161.6	20.78	165.6	20.87
	21	109.0	12.76	129.5	16.35	150.6	19.99	154.5	20.96	156.4	21.18	160.7	21.25	164.5	21.35
	23	109.0	13.64	129.5	17.48	150.6	21.33	152.6	21.89	154.5	22.15	158.3	22.22	162.2	22.32
	25	109.0	14.58	129.5	18.74	148.3	22.48	150.1	22.88	152.1	23.10	156.4	23.19	160.2	23.29
	27	109.0	15.56	129.5	20.02	146.3	23.62	148.3	23.82	150.1	24.07	154.1	24.16	157.8	24.26
	29	109.0	16.61	129.5	21.38	144.0	24.61	145.8	24.80	147.7	25.02	151.6	25.13	155.9	25.22
	31	109.0	17.69	129.5	22.82	141.5	25.63	144.0	25.73	145.8	25.99	149.7	26.08	153.5	26.20
	33	109.0	18.84	129.5	24.33	139.7	26.56	141.5	26.72	143.5	26.95	147.2	27.05	151.2	27.17
	35	109.0	20.02	129.5	25.94	137.2	27.60	139.1	27.70	141.5	27.91	145.4	28.02	149.2	28.14
	37	109.0	20.92	129.5	26.58	135.2	28.07	137.2	28.25	139.1	28.36	143.0	28.54	146.8	28.61
	39	109.0	21.80	129.1	27.20	132.9	28.55	134.8	28.76	136.6	28.84	141.1	29.02	144.9	29.10
110	10	99.7	9.39	118.8	11.44	138.0	13.58	147.6	14.71	157.2	15.82	169.1	16.47	173.0	16.53
	12	99.7	9.68	118.8	11.83	138.0	14.14	147.6	15.12	157.2	16.42	167.3	17.11	170.6	17.34
	14	99.7	9.97	118.8	12.36	138.0	14.79	147.6	15.87	157.2	17.24	164.8	17.74	168.7	18.11
	16	99.7	10.33	118.8	12.81	138.0	15.40	147.6	16.56	157.2	18.29	162.9	18.74	166.2	18.86
	18	99.7	10.71	118.8	13.34	138.0	16.30	147.6	17.66	157.2	19.37	160.5	19.70	164.4	19.78
	20	99.7	11.10	118.8	14.01	138.0	17.27	147.6	18.81	154.7	20.44	158.7	20.65	161.9	20.73
	21	99.7	11.34	118.8	14.43	138.0	17.89	147.6	19.50	153.8	20.90	157.2	21.14	161.0	21.23
	23	99.7	12.09	118.8	15.46	138.0	19.20	147.6	20.68	151.4	21.89	155.2	22.10	158.7	22.18
	25	99.7	12.91	118.8	16.50	138.0	20.54	147.6	21.90	149.5	22.82	152.9	23.06	156.7	23.15
	27	99.7	13.80	118.8	17.64	138.0	21.99	145.2	23.11	147.2	23.90	150.9	24.02	154.3	24.11
	29	99.7	14.74	118.8	18.84	138.0	23.45	143.2	24.09	145.2	24.86	148.6	24.98	152.3	25.07
	31	99.7	15.66	118.8	20.07	138.0	25.06	140.8	25.16	142.8	25.82	146.6	25.94	150.0	26.03
	33	99.7	16.71	118.8	21.38	137.1	26.46	138.9	26.29	140.8	26.79	144.3	26.89	148.1	27.00
	35	99.7	17.74	118.8	22.82	134.6	27.39	136.6	27.50	138.5	27.75	141.8	27.86	145.7	27.97
	37	99.7	18.44	118.8	23.52	132.8	27.88	134.6	27.91	136.1	28.16	139.9	28.33	143.2	28.41
	39	99.7	19.15	118.8	24.21	130.3	28.31	132.2	28.37	134.2	28.60	137.5	28.76	141.4	28.84
100	10	86.9	9.18	103.5	11.16	120.5	13.24	128.8	14.30	137.1	15.36	154.1	17.10	169.3	17.24
	12	86.9	9.48	103.5	11.61	120.5	13.68	128.8	14.69	137.1	15.85	154.1	18.03	167.0	18.20
	14	86.9	9.77	103.5	12.07	120.5	14.25	128.8	15.32	137.1	16.54	154.1	19.03	165.1	19.21
	16	86.9	10.07	103.5	12.47	120.5	14.86	128.8	16.04	137.1	17.43	154.1	19.95	162.8	20.23
	18	86.9	10.36	103.5	12.94	120.5	15.44	128.8	16.83	137.1	18.47	154.1	21.08	160.5	21.25
	20	86.9	10.73	103.5	13.42	120.5	16.34	128.8	18.03	137.1	19.77	154.1	22.09	158.2	22.26
	21	86.9	10.96	103.5	13.75	120.5	16.89	128.8	18.66	137.1	20.51	154.1	22.59	157.3	22.77
	23	86.9	11.61	103.5	14.70	120.5	18.14	128.8	20.00	137.1	21.98	151.9	23.65	155.3	23.84
	25	86.9	12.34	103.5	15.66	120.5	19.37	128.8	21.41	137.1	23.49	149.8	24.67	152.7	24.87
	27	86.9	13.19	103.5	16.73	120.5	20.74	128.8	22.88	137.1	24.98	147.5	25.82	150.9	26.03
	29	86.9	14.03	103.5	17.87	120.5	22.14	128.8	24.45	137.1	26.44	145.4	26.86	148.6	27.07
	31	86.9	14.99	103.5	19.05	120.5	23.60	128.8	26.08	137.1	27.78	143.1	27.90	146.3	28.14
	33	86.9	15.88	103.5	20.29	120.5	25.19	128.8	27.84	137.1	28.83	140.9	28.95	144.0	29.18
	35	86.9	16.89	103.5	21.58	120.5	26.82	128.8	29.69	135.0	29.88	138.8	29.99	141.7	30.23
	37	86.9	17.57	103.5	22.47	120.5	27.58	128.8	30.20	132.8	30.34	136.6	30.48	139.8	30.75
	39	86.9	18.24	103.5	23.37	120.5	28.30	128.8	30.69	130.6	30.83	134.3	30.94	137.5	31.23

Notes:
 1. TC: Total Capacity(kW) PI : Power Input(kW)(Comp. + Outdoor fan motor)
 2. Capacity tables show the average value of conditions which may occur.

7. Capacity Tables

Cooling Capacity(46HP)

Combination (%)	Outdoor air temp °C DB	Indoor air temp. (DB/WB, °C)													
		20		23		26		27		28		30		32	
		14		16		18		19		20		22		24	
		TC	PI	TC	PI	TC	PI	TC	PI	TC	PI	TC	PI	TC	PI
90	10	78.2	8.23	93.4	9.97	108.6	11.79	115.9	12.73	123.3	13.68	138.5	15.27	153.6	15.87
	12	78.2	8.44	93.4	10.26	108.6	12.11	115.9	13.04	123.3	14.07	138.5	15.84	153.6	16.62
	14	78.2	8.65	93.4	10.56	108.6	12.48	115.9	13.44	123.3	14.49	138.5	16.42	153.6	17.32
	16	78.2	8.86	93.4	10.83	108.6	12.86	115.9	13.87	123.3	14.98	138.5	16.80	153.6	18.01
	18	78.2	9.06	93.4	11.13	108.6	13.17	115.9	14.28	123.3	15.34	138.5	17.17	153.6	18.92
	20	78.2	9.29	93.4	11.37	108.6	13.43	115.9	14.54	123.3	15.91	138.5	18.37	153.6	19.81
	21	78.2	9.43	93.4	11.47	108.6	13.70	115.9	15.02	123.3	16.50	138.5	19.04	153.6	20.28
	23	78.2	9.67	93.4	11.95	108.6	14.65	115.9	16.12	123.3	17.66	138.5	20.35	151.5	21.23
	25	78.2	10.15	93.4	12.73	108.6	15.65	115.9	17.23	123.3	18.87	138.5	21.53	149.3	22.14
	27	78.2	10.83	93.4	13.59	108.6	16.71	115.9	18.39	123.3	20.19	138.5	22.73	147.2	23.18
	29	78.2	11.47	93.4	14.49	108.6	17.87	115.9	19.67	123.3	21.57	138.5	23.95	144.9	24.12
	31	78.2	12.22	93.4	15.44	108.6	19.03	115.9	20.94	123.3	22.99	138.5	24.89	142.8	25.04
	33	78.2	13.00	93.4	16.44	108.6	20.30	115.9	22.31	123.3	24.40	138.5	25.81	140.6	25.98
	35	78.2	13.79	93.4	17.45	108.6	21.57	115.9	23.79	123.3	25.75	136.1	26.74	138.4	26.92
	37	78.2	14.65	93.4	18.56	108.6	23.00	115.9	25.27	123.3	26.72	133.9	27.36	136.2	27.54
	39	78.2	15.51	93.4	19.74	108.6	24.31	115.9	26.49	123.3	27.56	131.7	27.97	134.0	28.16
80	10	69.5	7.99	82.8	9.64	96.1	11.36	103.0	12.28	109.9	13.18	123.3	14.87	136.6	15.47
	12	69.5	8.19	82.8	9.84	96.1	11.63	103.0	12.52	109.9	13.42	123.3	15.34	136.6	16.14
	14	69.5	8.37	82.8	10.06	96.1	11.80	103.0	12.75	109.9	13.65	123.3	15.62	136.6	16.75
	16	69.5	8.48	82.8	10.23	96.1	12.02	103.0	12.98	109.9	13.94	123.3	15.96	136.6	17.31
	18	69.5	8.65	82.8	10.39	96.1	12.26	103.0	13.21	109.9	14.22	123.3	16.25	136.6	17.70
	20	69.5	8.82	82.8	10.61	96.1	12.52	103.0	13.49	109.9	14.50	123.3	16.86	136.6	18.94
	21	69.5	8.87	82.8	10.74	96.1	12.64	103.0	13.65	109.9	14.84	123.3	17.39	136.6	19.57
	23	69.5	9.05	82.8	10.90	96.1	13.21	103.0	14.50	109.9	15.85	123.3	18.36	136.6	20.76
	25	69.5	9.39	82.8	11.63	96.1	14.16	103.0	15.51	109.9	16.97	123.3	19.65	136.6	21.94
	27	69.5	9.95	82.8	12.36	96.1	15.12	103.0	16.57	109.9	18.10	123.3	20.88	136.6	23.11
	29	69.5	10.56	82.8	13.21	96.1	16.07	103.0	17.65	109.9	19.32	123.3	22.37	136.6	24.12
	31	69.5	11.25	82.8	14.00	96.1	17.15	103.0	18.82	109.9	20.56	123.3	23.74	136.6	25.04
	33	69.5	11.91	82.8	14.95	96.1	18.27	103.0	20.06	109.9	21.92	123.3	24.90	136.6	25.98
	35	69.5	12.64	82.8	15.85	96.1	19.44	103.0	21.35	109.9	23.37	123.3	26.12	135.2	26.92
	37	69.5	13.37	82.8	16.85	96.1	20.62	103.0	22.70	109.9	24.83	123.3	27.04	133.0	27.54
	39	69.5	14.14	82.8	17.81	96.1	21.84	103.0	23.92	109.9	26.40	123.3	27.76	130.8	28.16
70	10	60.7	7.21	72.7	8.56	84.2	9.93	90.2	10.72	96.1	11.46	107.6	13.04	119.6	14.60
	12	60.7	7.31	72.7	8.68	84.2	10.15	90.2	10.89	96.1	11.69	107.6	13.28	119.6	14.87
	14	60.7	7.42	72.7	8.79	84.2	10.33	90.2	11.07	96.1	11.85	107.6	13.56	119.6	15.14
	16	60.7	7.55	72.7	8.96	84.2	10.50	90.2	11.29	96.1	12.08	107.6	13.79	119.6	15.46
	18	60.7	7.66	72.7	9.14	84.2	10.72	90.2	11.52	96.1	12.32	107.6	14.01	119.6	15.75
	20	60.7	7.77	72.7	9.31	84.2	10.89	90.2	11.74	96.1	12.60	107.6	14.36	119.6	16.34
	21	60.7	7.89	72.7	9.36	84.2	11.00	90.2	11.85	96.1	12.72	107.6	14.58	119.6	16.86
	23	60.7	8.00	72.7	9.59	84.2	11.24	90.2	12.25	96.1	13.33	107.6	15.60	119.6	17.79
	25	60.7	8.11	72.7	9.93	84.2	11.97	90.2	13.11	96.1	14.23	107.6	16.68	119.6	19.04
	27	60.7	8.56	72.7	10.61	84.2	12.77	90.2	13.91	96.1	15.20	107.6	17.81	119.6	20.24
	29	60.7	9.14	72.7	11.24	84.2	13.56	90.2	14.81	96.1	16.17	107.6	19.00	119.6	21.68
	31	60.7	9.70	72.7	11.97	84.2	14.47	90.2	15.83	96.1	17.25	107.6	20.25	119.6	23.02
	33	60.7	10.28	72.7	12.65	84.2	15.37	90.2	16.80	96.1	18.33	107.6	21.57	119.6	24.25
	35	60.7	10.83	72.7	13.51	84.2	16.34	90.2	17.87	96.1	19.53	107.6	22.97	119.6	25.71
	37	60.7	11.52	72.7	14.30	84.2	17.36	90.2	19.00	96.1	20.77	107.6	24.45	119.6	26.73
	39	60.7	12.11	72.7	15.11	84.2	18.38	90.2	20.05	96.1	21.99	107.6	25.91	119.6	27.55
60	10	52.0	6.30	62.1	7.38	72.2	8.59	77.3	9.23	82.3	9.79	92.5	11.11	102.6	12.42
	12	52.0	6.42	62.1	7.50	72.2	8.70	77.3	9.34	82.3	9.97	92.5	11.28	102.6	12.66
	14	52.0	6.47	62.1	7.62	72.2	8.88	77.3	9.51	82.3	10.14	92.5	11.51	102.6	12.89
	16	52.0	6.59	62.1	7.79	72.2	8.99	77.3	9.68	82.3	10.37	92.5	11.75	102.6	13.12
	18	52.0	6.71	62.1	7.91	72.2	9.16	77.3	9.85	82.3	10.54	92.5	11.92	102.6	13.41
	20	52.0	6.82	62.1	8.02	72.2	9.34	77.3	10.02	82.3	10.72	92.5	12.15	102.6	13.69
	21	52.0	6.88	62.1	8.08	72.2	9.45	77.3	10.14	82.3	10.83	92.5	12.31	102.6	13.80
	23	52.0	6.99	62.1	8.25	72.2	9.58	77.3	10.32	82.3	11.05	92.5	12.77	102.6	14.67
	25	52.0	7.10	62.1	8.41	72.2	9.97	77.3	10.83	82.3	11.75	92.5	13.63	102.6	15.70
	27	52.0	7.33	62.1	8.88	72.2	10.60	77.3	11.51	82.3	12.49	92.5	14.49	102.6	16.72
	29	52.0	7.79	62.1	9.45	72.2	11.28	77.3	12.25	82.3	13.29	92.5	15.47	102.6	17.88
	31	52.0	8.25	62.1	10.02	72.2	11.97	77.3	13.06	82.3	14.15	92.5	16.50	102.6	19.02
	33	52.0	8.70	62.1	10.60	72.2	12.71	77.3	13.86	82.3	15.06	92.5	17.53	102.6	20.27
	35	52.0	9.23	62.1	11.28	72.2	13.51	77.3	14.73	82.3	15.98	92.5	18.67	102.6	21.54
	37	52.0	9.73	62.1	11.91	72.2	14.32	77.3	15.64	82.3	16.96	92.5	19.82	102.6	22.92
	39	52.0	10.25	62.1	12.56	72.2	15.16	77.3	16.61	82.3	17.89	92.5	21.04	102.6	24.31

Notes:
 1. TC: Total Capacity(kW) PI : Power Input(kW)(Comp. + Outdoor fan motor)
 2. Capacity tables show the average value of conditions which may occur.

7. Capacity Tables

Cooling Capacity(46HP)

Combination (%)	Outdoor air temp °C DB	Indoor air temp. (DB/WB, °C)													
		20		23		26		27		28		30		32	
		14		16		18		19		20		22		24	
		TC	PI	TC	PI	TC	PI	TC	PI	TC	PI	TC	PI	TC	PI
50	10	43.5	5.49	52.0	6.36	60.3	7.23	64.4	7.75	68.5	8.22	76.8	9.25	85.6	10.29
	12	43.5	5.55	52.0	6.43	60.3	7.34	64.4	7.87	68.5	8.38	76.8	9.43	85.6	10.47
	14	43.5	5.61	52.0	6.54	60.3	7.46	64.4	7.98	68.5	8.50	76.8	9.54	85.6	10.64
	16	43.5	5.72	52.0	6.65	60.3	7.57	64.4	8.16	68.5	8.61	76.8	9.72	85.6	10.82
	18	43.5	5.78	52.0	6.71	60.3	7.69	64.4	8.26	68.5	8.79	76.8	9.88	85.6	11.05
	20	43.5	5.84	52.0	6.82	60.3	7.87	64.4	8.38	68.5	8.96	76.8	10.06	85.6	11.27
	21	43.5	5.90	52.0	6.88	60.3	7.92	64.4	8.50	68.5	9.03	76.8	10.17	85.6	11.39
	23	43.5	6.01	52.0	6.99	60.3	8.05	64.4	8.61	68.5	9.19	76.8	10.35	85.6	11.63
	25	43.5	6.08	52.0	7.11	60.3	8.22	64.4	8.79	68.5	9.49	76.8	10.87	85.6	12.44
	27	43.5	6.19	52.0	7.34	60.3	8.67	64.4	9.37	68.5	10.06	76.8	11.63	85.6	13.24
	29	43.5	6.54	52.0	7.81	60.3	9.19	64.4	9.94	68.5	10.70	76.8	12.32	85.6	14.06
	31	43.5	6.88	52.0	8.26	60.3	9.77	64.4	10.52	68.5	11.39	76.8	13.12	85.6	14.98
	33	43.5	7.28	52.0	8.73	60.3	10.35	64.4	11.16	68.5	12.09	76.8	13.94	85.6	15.96
	35	43.5	7.69	52.0	9.25	60.3	10.93	64.4	11.85	68.5	12.77	76.8	14.74	85.6	16.95
	37	43.5	8.16	52.0	9.77	60.3	11.56	64.4	12.55	68.5	13.53	76.8	15.72	85.6	17.98
39	43.5	8.52	52.0	10.27	60.3	12.27	64.4	13.24	68.5	14.24	76.8	16.60	85.6	19.04	

Notes:

1. TC: Total Capacity(kW) PI : Power Input(kW)(Comp. + Outdoor fan motor)
2. Capacity tables show the average value of conditions which may occur.

7. Capacity Tables

ARUB480LTE4

Cooling Capacity(48HP)

Combination (%)	Outdoor air temp °C DB	Indoor air temp. (DB/WB, °C)													
		20		23		26		27		28		30		32	
		14		16		18		19		20		22		24	
		TC	PI	TC	PI	TC	PI	TC	PI	TC	PI	TC	PI	TC	PI
130	10	122.9	11.36	146.4	13.88	169.9	16.10	176.3	16.42	178.4	16.61	182.9	16.68	187.3	16.79
	12	122.9	11.64	146.4	14.38	169.9	16.77	173.8	16.87	176.8	17.20	180.3	17.37	184.8	17.45
	14	122.9	12.03	146.4	14.89	169.4	17.40	171.8	17.52	173.8	17.82	178.4	17.99	182.9	18.12
	16	122.9	12.47	146.4	15.42	167.4	18.17	169.4	18.35	171.3	18.47	175.8	18.65	180.3	18.81
	18	122.9	12.99	146.4	16.31	164.8	19.16	166.9	19.30	169.4	19.42	173.8	19.51	178.4	19.63
	20	122.9	13.57	146.4	17.37	162.3	20.06	165.1	20.25	166.9	20.36	171.3	20.46	175.8	20.60
	21	122.9	13.92	146.4	17.98	161.3	20.52	163.8	20.74	165.9	20.84	170.4	20.95	174.9	21.06
	23	122.9	14.94	146.4	19.30	159.3	21.40	161.3	21.61	163.7	21.79	167.8	21.90	172.3	22.03
	25	122.9	15.96	146.4	20.62	156.9	22.36	159.4	22.58	161.3	22.73	165.9	22.85	170.4	22.99
	27	122.9	17.07	146.4	22.04	154.9	23.33	156.9	23.49	159.4	23.68	163.7	23.80	167.8	23.94
	29	122.9	18.18	146.4	23.57	152.3	24.29	154.6	24.46	156.9	24.63	161.3	24.75	165.9	24.89
	31	122.9	19.40	145.9	24.82	149.8	25.26	152.3	25.43	154.6	25.57	158.9	25.71	163.3	25.86
	33	122.9	20.67	143.4	25.77	147.8	26.22	150.2	26.39	152.3	26.52	156.9	26.66	160.8	26.82
	35	122.9	22.04	140.8	26.72	145.4	27.18	147.8	27.36	150.2	27.47	154.4	27.61	158.9	27.77
	37	122.9	22.83	138.9	27.23	143.4	27.72	145.4	27.94	147.8	28.05	151.8	28.13	156.4	28.35
	39	122.9	23.59	136.3	27.77	140.8	28.27	143.4	28.48	145.4	28.58	149.8	28.67	154.4	28.88
120	10	113.7	10.21	135.2	12.53	157.1	14.89	168.2	16.08	176.2	16.33	180.2	16.41	184.3	16.47
	12	113.7	10.49	135.2	12.94	157.1	15.48	168.2	16.42	173.7	16.95	177.6	17.15	181.7	17.22
	14	113.7	10.85	135.2	13.39	157.1	16.11	168.2	17.05	171.2	17.56	175.7	17.82	179.7	17.98
	16	113.7	11.25	135.2	13.94	157.1	16.73	167.2	17.96	169.3	18.37	173.2	18.46	177.1	18.66
	18	113.7	11.69	135.2	14.57	157.1	17.75	164.7	18.97	166.7	19.32	170.7	19.40	175.2	19.48
	20	113.7	12.13	135.2	15.44	157.1	18.91	162.7	20.06	164.7	20.27	168.6	20.35	172.8	20.44
	21	113.7	12.50	135.2	16.01	157.1	19.57	161.2	20.52	163.2	20.74	167.7	20.81	171.7	20.90
	23	113.7	13.36	135.2	17.12	157.1	20.88	159.2	21.44	161.2	21.69	165.1	21.76	169.3	21.85
	25	113.7	14.27	135.2	18.35	154.7	22.01	156.6	22.40	158.7	22.62	163.2	22.71	167.2	22.80
	27	113.7	15.24	135.2	19.60	152.6	23.13	154.7	23.32	156.6	23.57	160.8	23.65	164.7	23.75
	29	113.7	16.26	135.2	20.93	150.2	24.10	152.2	24.28	154.1	24.50	158.2	24.60	162.7	24.70
	31	113.7	17.32	135.2	22.34	147.7	25.09	150.2	25.19	152.2	25.44	156.2	25.54	160.2	25.66
	33	113.7	18.44	135.2	23.83	145.7	26.01	147.7	26.17	149.7	26.39	153.6	26.49	157.7	26.61
	35	113.7	19.60	135.2	25.40	143.2	27.02	145.1	27.12	147.7	27.33	151.7	27.44	155.7	27.56
	37	113.7	20.48	135.2	26.02	141.1	27.48	143.2	27.66	145.1	27.77	149.2	27.94	153.1	28.02
	39	113.7	21.34	134.7	26.63	138.7	27.96	140.6	28.16	142.6	28.24	147.2	28.42	151.2	28.50
110	10	104.0	9.19	124.0	11.20	144.0	13.30	154.0	14.40	164.0	15.49	176.5	16.12	180.5	16.19
	12	104.0	9.48	124.0	11.58	144.0	13.85	154.0	14.81	164.0	16.08	174.5	16.75	178.0	16.98
	14	104.0	9.77	124.0	12.10	144.0	14.48	154.0	15.54	164.0	16.88	172.0	17.37	176.0	17.74
	16	104.0	10.11	124.0	12.54	144.0	15.08	154.0	16.22	164.0	17.91	169.9	18.35	173.4	18.47
	18	104.0	10.49	124.0	13.07	144.0	15.96	154.0	17.29	164.0	18.97	167.5	19.29	171.5	19.36
	20	104.0	10.87	124.0	13.72	144.0	16.91	154.0	18.42	161.4	20.01	165.6	20.22	169.0	20.30
	21	104.0	11.11	124.0	14.13	144.0	17.52	154.0	19.09	160.5	20.46	164.0	20.69	168.0	20.78
	23	104.0	11.83	124.0	15.14	144.0	18.80	154.0	20.25	157.9	21.44	161.9	21.64	165.6	21.72
	25	104.0	12.64	124.0	16.15	144.0	20.11	154.0	21.44	156.0	22.34	159.5	22.58	163.5	22.67
	27	104.0	13.51	124.0	17.27	144.0	21.53	151.5	22.63	153.6	23.40	157.4	23.52	161.0	23.61
	29	104.0	14.43	124.0	18.44	144.0	22.96	149.4	23.59	151.5	24.34	155.0	24.46	158.9	24.54
	31	104.0	15.33	124.0	19.65	144.0	24.54	146.9	24.64	149.0	25.28	153.0	25.39	156.5	25.49
	33	104.0	16.36	124.0	20.93	143.0	25.91	145.0	25.74	146.9	26.23	150.5	26.33	154.5	26.44
	35	104.0	17.37	124.0	22.34	140.5	26.82	142.5	26.93	144.5	27.17	148.0	27.28	152.0	27.39
	37	104.0	18.05	124.0	23.03	138.5	27.30	140.5	27.33	142.0	27.57	145.9	27.73	149.4	27.81
	39	104.0	18.75	124.0	23.70	136.0	27.72	137.9	27.78	140.0	28.00	143.5	28.16	147.5	28.24
100	10	90.7	9.19	108.0	11.17	125.8	13.25	134.4	14.31	143.0	15.38	160.8	17.12	176.6	17.26
	12	90.7	9.49	108.0	11.62	125.8	13.70	134.4	14.71	143.0	15.87	160.8	18.04	174.2	18.22
	14	90.7	9.78	108.0	12.08	125.8	14.27	134.4	15.34	143.0	16.56	160.8	19.05	172.3	19.23
	16	90.7	10.08	108.0	12.48	125.8	14.87	134.4	16.06	143.0	17.45	160.8	19.97	169.9	20.25
	18	90.7	10.37	108.0	12.95	125.8	15.45	134.4	16.85	143.0	18.49	160.8	21.10	167.5	21.27
	20	90.7	10.74	108.0	13.43	125.8	16.35	134.4	18.05	143.0	19.79	160.8	22.11	165.1	22.29
	21	90.7	10.97	108.0	13.76	125.8	16.91	134.4	18.67	143.0	20.53	160.8	22.62	164.2	22.79
	23	90.7	11.62	108.0	14.71	125.8	18.16	134.4	20.02	143.0	22.00	158.5	23.68	162.1	23.87
	25	90.7	12.35	108.0	15.68	125.8	19.39	134.4	21.43	143.0	23.52	156.3	24.69	159.4	24.89
	27	90.7	13.20	108.0	16.75	125.8	20.76	134.4	22.90	143.0	25.01	153.9	25.85	157.4	26.05
	29	90.7	14.04	108.0	17.88	125.8	22.16	134.4	24.47	143.0	26.46	151.7	26.89	155.0	27.10
	31	90.7	15.01	108.0	19.07	125.8	23.62	134.4	26.10	143.0	27.81	149.3	27.93	152.6	28.17
	33	90.7	15.90	108.0	20.31	125.8	25.21	134.4	27.87	143.0	28.86	147.1	28.98	150.2	29.21
	35	90.7	16.91	108.0	21.60	125.8	26.84	134.4	29.72	140.8	29.91	144.8	30.02	147.8	30.26
	37	90.7	17.59	108.0	22.49	125.8	27.60	134.4	30.23	138.6	30.37	142.5	30.51	145.9	30.78
	39	90.7	18.26	108.0	23.39	125.8	28.33	134.4	30.72	136.3	30.86	140.2	30.97	143.5	31.26

Notes:
 1. TC: Total Capacity(kW) PI : Power Input(kW)(Comp. + Outdoor fan motor)
 2. Capacity tables show the average value of conditions which may occur.

7. Capacity Tables

Cooling Capacity(48HP)

Combination (%)	Outdoor air temp °C DB	Indoor air temp. (DB/WB, °C)													
		20		23		26		27		28		30		32	
		14		16		18		19		20		22		24	
		TC	PI	TC	PI	TC	PI	TC	PI	TC	PI	TC	PI	TC	PI
90	10	81.6	8.27	97.4	10.06	113.3	11.93	121.0	12.89	128.6	13.85	144.5	15.42	160.3	15.54
	12	81.6	8.54	97.4	10.45	113.3	12.33	121.0	13.24	128.6	14.29	144.5	16.19	160.3	16.41
	14	81.6	8.80	97.4	10.83	113.3	12.79	121.0	13.75	128.6	14.85	144.5	16.85	160.3	17.32
	16	81.6	9.05	97.4	11.12	113.3	13.20	121.0	14.23	128.6	15.37	144.5	17.24	160.3	18.24
	18	81.6	9.30	97.4	11.43	113.3	13.52	121.0	14.65	128.6	15.74	144.5	17.62	160.3	19.16
	20	81.6	9.53	97.4	11.66	113.3	13.79	121.0	14.92	128.6	16.33	144.5	18.86	160.3	20.07
	21	81.6	9.68	97.4	11.77	113.3	14.06	121.0	15.41	128.6	16.93	144.5	19.54	160.3	20.53
	23	81.6	9.92	97.4	12.26	113.3	15.03	121.0	16.55	128.6	18.12	144.5	20.88	158.1	21.50
	25	81.6	10.42	97.4	13.07	113.3	16.06	121.0	17.68	128.6	19.36	144.5	22.10	155.8	22.42
	27	81.6	11.12	97.4	13.95	113.3	17.14	121.0	18.88	128.6	20.72	144.5	23.22	153.6	23.48
	29	81.6	11.77	97.4	14.87	113.3	18.34	121.0	20.18	128.6	22.13	144.5	24.22	151.2	24.42
	31	81.6	12.54	97.4	15.85	113.3	19.53	121.0	21.49	128.6	23.60	144.5	25.17	149.0	25.36
	33	81.6	13.34	97.4	16.87	113.3	20.83	121.0	22.89	128.6	25.04	144.5	26.09	146.7	26.31
	35	81.6	14.15	97.4	17.91	113.3	22.13	121.0	24.41	128.6	26.43	144.5	27.03	144.5	27.26
	37	81.6	15.03	97.4	19.05	113.3	23.60	121.0	25.93	128.6	27.29	139.7	27.47	142.1	27.72
	39	81.6	15.91	97.4	20.26	113.3	24.95	121.0	27.19	128.6	27.80	137.4	27.91	139.8	28.16
80	10	72.5	8.23	86.4	9.95	100.3	11.73	107.5	12.67	114.7	13.60	128.6	15.33	142.6	15.54
	12	72.5	8.45	86.4	10.16	100.3	12.01	107.5	12.93	114.7	13.85	128.6	15.84	142.6	16.41
	14	72.5	8.63	86.4	10.38	100.3	12.18	107.5	13.16	114.7	14.09	128.6	16.12	142.6	17.24
	16	72.5	8.76	86.4	10.55	100.3	12.40	107.5	13.39	114.7	14.39	128.6	16.47	142.6	17.87
	18	72.5	8.93	86.4	10.73	100.3	12.65	107.5	13.63	114.7	14.67	128.6	16.77	142.6	18.27
	20	72.5	9.10	86.4	10.95	100.3	12.93	107.5	13.93	114.7	14.97	128.6	17.40	142.6	19.55
	21	72.5	9.15	86.4	11.09	100.3	13.05	107.5	14.09	114.7	15.32	128.6	17.95	142.6	20.20
	23	72.5	9.34	86.4	11.25	100.3	13.63	107.5	14.97	114.7	16.36	128.6	18.95	142.6	21.39
	25	72.5	9.69	86.4	12.01	100.3	14.61	107.5	16.01	114.7	17.51	128.6	20.28	142.6	22.41
	27	72.5	10.27	86.4	12.76	100.3	15.60	107.5	17.10	114.7	18.68	128.6	21.55	142.6	23.48
	29	72.5	10.90	86.4	13.63	100.3	16.58	107.5	18.22	114.7	19.94	128.6	23.08	142.6	24.42
	31	72.5	11.61	86.4	14.45	100.3	17.70	107.5	19.42	114.7	21.22	128.6	24.50	142.6	25.36
	33	72.5	12.29	86.4	15.43	100.3	18.85	107.5	20.70	114.7	22.62	128.6	25.70	142.6	26.31
	35	72.5	13.05	86.4	16.36	100.3	20.07	107.5	22.04	114.7	24.12	128.6	26.90	141.1	27.26
	37	72.5	13.80	86.4	17.39	100.3	21.28	107.5	23.43	114.7	25.63	128.6	27.47	138.7	27.72
	39	72.5	14.59	86.4	18.38	100.3	22.54	107.5	24.69	114.7	27.25	128.6	27.91	136.5	28.16
70	10	63.4	7.48	75.8	8.89	87.8	10.31	94.1	11.13	100.3	11.89	112.3	13.54	124.8	15.16
	12	63.4	7.59	75.8	9.01	87.8	10.53	94.1	11.30	100.3	12.13	112.3	13.78	124.8	15.43
	14	63.4	7.70	75.8	9.12	87.8	10.72	94.1	11.49	100.3	12.30	112.3	14.07	124.8	15.71
	16	63.4	7.84	75.8	9.30	87.8	10.89	94.1	11.72	100.3	12.54	112.3	14.31	124.8	16.05
	18	63.4	7.95	75.8	9.48	87.8	11.13	94.1	11.95	100.3	12.79	112.3	14.54	124.8	16.34
	20	63.4	8.06	75.8	9.66	87.8	11.30	94.1	12.19	100.3	13.07	112.3	14.90	124.8	16.96
	21	63.4	8.19	75.8	9.71	87.8	11.42	94.1	12.30	100.3	13.20	112.3	15.13	124.8	17.50
	23	63.4	8.30	75.8	9.96	87.8	11.66	94.1	12.71	100.3	13.83	112.3	16.19	124.8	18.47
	25	63.4	8.41	75.8	10.31	87.8	12.43	94.1	13.61	100.3	14.77	112.3	17.31	124.8	19.76
	27	63.4	8.89	75.8	11.01	87.8	13.25	94.1	14.43	100.3	15.78	112.3	18.48	124.8	21.01
	29	63.4	9.48	75.8	11.66	87.8	14.07	94.1	15.37	100.3	16.78	112.3	19.72	124.8	22.50
	31	63.4	10.07	75.8	12.43	87.8	15.02	94.1	16.43	100.3	17.90	112.3	21.01	124.8	23.88
	33	63.4	10.67	75.8	13.12	87.8	15.95	94.1	17.43	100.3	19.02	112.3	22.38	124.8	25.17
	35	63.4	11.24	75.8	14.02	87.8	16.96	94.1	18.55	100.3	20.26	112.3	23.84	124.8	26.68
	37	63.4	11.95	75.8	14.84	87.8	18.02	94.1	19.72	100.3	21.56	112.3	25.38	124.8	27.61
	39	63.4	12.57	75.8	15.68	87.8	19.08	94.1	20.81	100.3	22.82	112.3	26.89	124.8	28.16
60	10	54.2	6.57	64.8	7.70	75.4	8.97	80.6	9.63	85.9	10.22	96.5	11.60	107.0	12.96
	12	54.2	6.70	64.8	7.83	75.4	9.08	80.6	9.74	85.9	10.40	96.5	11.77	107.0	13.21
	14	54.2	6.75	64.8	7.95	75.4	9.27	80.6	9.92	85.9	10.58	96.5	12.01	107.0	13.45
	16	54.2	6.87	64.8	8.13	75.4	9.38	80.6	10.10	85.9	10.82	96.5	12.26	107.0	13.69
	18	54.2	7.00	64.8	8.25	75.4	9.56	80.6	10.28	85.9	11.00	96.5	12.43	107.0	13.99
	20	54.2	7.11	64.8	8.37	75.4	9.74	80.6	10.46	85.9	11.18	96.5	12.67	107.0	14.29
	21	54.2	7.17	64.8	8.43	75.4	9.86	80.6	10.58	85.9	11.30	96.5	12.85	107.0	14.40
	23	54.2	7.29	64.8	8.60	75.4	9.99	80.6	10.77	85.9	11.53	96.5	13.32	107.0	15.30
	25	54.2	7.41	64.8	8.78	75.4	10.40	80.6	11.30	85.9	12.26	96.5	14.23	107.0	16.38
	27	54.2	7.65	64.8	9.27	75.4	11.06	80.6	12.01	85.9	13.03	96.5	15.12	107.0	17.45
	29	54.2	8.13	64.8	9.86	75.4	11.77	80.6	12.79	85.9	13.86	96.5	16.14	107.0	18.66
	31	54.2	8.60	64.8	10.46	75.4	12.49	80.6	13.62	85.9	14.76	96.5	17.22	107.0	19.85
	33	54.2	9.08	64.8	11.06	75.4	13.26	80.6	14.46	85.9	15.72	96.5	18.29	107.0	21.15
	35	54.2	9.63	64.8	11.77	75.4	14.10	80.6	15.36	85.9	16.67	96.5	19.48	107.0	22.48
	37	54.2	10.16	64.8	12.42	75.4	14.94	80.6	16.32	85.9	17.69	96.5	20.68	107.0	23.92
	39	54.2	10.70	64.8	13.10	75.4	15.82	80.6	17.33	85.9	18.66	96.5	21.96	107.0	25.36

Notes:

1. TC: Total Capacity(kW) PI : Power Input(kW)(Comp. + Outdoor fan motor)
2. Capacity tables show the average value of conditions which may occur.

7. Capacity Tables

Cooling Capacity(48HP)

Combination (%)	Outdoor air temp °C DB	Indoor air temp. (DB/WB, °C)													
		20		23		26		27		28		30		32	
		14		16		18		19		20		22		24	
		TC	PI	TC	PI	TC	PI	TC	PI	TC	PI	TC	PI	TC	PI
50	10	45.4	5.76	54.2	6.67	62.9	7.59	67.2	8.13	71.5	8.62	80.2	9.70	89.3	10.79
	12	45.4	5.82	54.2	6.74	62.9	7.70	67.2	8.25	71.5	8.79	80.2	9.89	89.3	10.98
	14	45.4	5.89	54.2	6.86	62.9	7.83	67.2	8.37	71.5	8.92	80.2	10.00	89.3	11.16
	16	45.4	6.00	54.2	6.97	62.9	7.94	67.2	8.55	71.5	9.03	80.2	10.19	89.3	11.35
	18	45.4	6.06	54.2	7.03	62.9	8.06	67.2	8.67	71.5	9.22	80.2	10.37	89.3	11.59
	20	45.4	6.13	54.2	7.16	62.9	8.25	67.2	8.79	71.5	9.40	80.2	10.55	89.3	11.83
	21	45.4	6.19	54.2	7.22	62.9	8.30	67.2	8.92	71.5	9.47	80.2	10.67	89.3	11.95
	23	45.4	6.30	54.2	7.34	62.9	8.44	67.2	9.03	71.5	9.64	80.2	10.86	89.3	12.20
	25	45.4	6.38	54.2	7.46	62.9	8.62	67.2	9.22	71.5	9.95	80.2	11.40	89.3	13.05
	27	45.4	6.49	54.2	7.70	62.9	9.10	67.2	9.83	71.5	10.55	80.2	12.20	89.3	13.89
	29	45.4	6.86	54.2	8.19	62.9	9.64	67.2	10.43	71.5	11.22	80.2	12.92	89.3	14.74
	31	45.4	7.22	54.2	8.67	62.9	10.25	67.2	11.03	71.5	11.95	80.2	13.76	89.3	15.71
	33	45.4	7.64	54.2	9.16	62.9	10.86	67.2	11.70	71.5	12.68	80.2	14.62	89.3	16.74
	35	45.4	8.06	54.2	9.70	62.9	11.46	67.2	12.43	71.5	13.40	80.2	15.46	89.3	17.78
	37	45.4	8.55	54.2	10.25	62.9	12.13	67.2	13.16	71.5	14.19	80.2	16.49	89.3	18.86
	39	45.4	8.94	54.2	10.78	62.9	12.87	67.2	13.89	71.5	14.93	80.2	17.41	89.3	19.97

Notes:

1. TC: Total Capacity(kW) PI : Power Input(kW)(Comp. + Outdoor fan motor)
2. Capacity tables show the average value of conditions which may occur.

7. Capacity Tables

ARUB500LTE4

Cooling Capacity(50HP)

Combination (%)	Outdoor air temp °C DB	Indoor air temp. (DB/WB, °C)													
		20		23		26		27		28		30		32	
		14		16		18		19		20		22		24	
		TC	PI	TC	PI	TC	PI	TC	PI	TC	PI	TC	PI	TC	PI
130	10	128.0	12.08	152.5	14.75	177.0	17.12	183.7	17.46	185.8	17.66	190.5	17.73	195.2	17.85
	12	128.0	12.38	152.5	15.29	177.0	17.83	181.0	17.93	184.2	18.28	187.8	18.47	192.5	18.55
	14	128.0	12.78	152.5	15.83	176.5	18.50	179.0	18.62	181.0	18.94	185.8	19.12	190.5	19.26
	16	128.0	13.25	152.5	16.40	174.3	19.31	176.5	19.51	178.5	19.63	183.2	19.83	187.8	20.00
	18	128.0	13.81	152.5	17.34	171.7	20.37	173.8	20.52	176.5	20.64	181.0	20.74	185.8	20.87
	20	128.0	14.43	152.5	18.47	169.0	21.33	172.0	21.53	173.8	21.65	178.5	21.75	183.2	21.90
	21	128.0	14.80	152.5	19.11	168.0	21.82	170.7	22.05	172.8	22.15	177.5	22.27	182.2	22.39
	23	128.0	15.88	152.5	20.52	166.0	22.76	168.0	22.98	170.5	23.16	174.8	23.28	179.5	23.43
	25	128.0	16.97	152.5	21.92	163.5	23.77	166.0	24.00	168.0	24.17	172.8	24.29	177.5	24.44
	27	128.0	18.15	152.5	23.43	161.3	24.81	163.5	24.98	166.0	25.18	170.5	25.30	174.8	25.45
	29	128.0	19.33	152.5	25.06	158.7	25.82	161.0	26.00	163.5	26.19	168.0	26.31	172.8	26.46
	31	128.0	20.62	152.0	26.39	156.0	26.86	158.7	27.03	161.0	27.18	165.5	27.33	170.2	27.50
	33	128.0	21.97	149.3	27.40	154.0	27.87	156.5	28.06	158.7	28.19	163.5	28.34	167.5	28.51
	35	128.0	23.43	146.7	28.41	151.5	28.90	154.0	29.08	156.5	29.20	160.8	29.35	165.5	29.52
	37	128.0	24.27	144.7	28.95	149.3	29.47	151.5	29.70	154.0	29.82	158.2	29.91	163.0	30.14
	39	128.0	25.08	142.0	29.52	146.7	30.06	149.3	30.28	151.5	30.38	156.0	30.48	160.8	30.70
120	10	118.5	10.85	140.8	13.32	163.7	15.83	175.2	17.09	183.5	17.36	187.7	17.44	192.0	17.51
	12	118.5	11.15	140.8	13.76	163.7	16.45	175.2	17.46	181.0	18.01	185.0	18.23	189.3	18.30
	14	118.5	11.54	140.8	14.23	163.7	17.12	175.2	18.13	178.3	18.67	183.0	18.94	187.2	19.11
	16	118.5	11.96	140.8	14.82	163.7	17.78	174.2	19.09	176.3	19.53	180.5	19.63	184.5	19.83
	18	118.5	12.43	140.8	15.49	163.7	18.87	171.5	20.17	173.7	20.54	177.8	20.62	182.5	20.71
	20	118.5	12.90	140.8	16.42	163.7	20.10	169.5	21.33	171.5	21.55	175.7	21.63	180.0	21.73
	21	118.5	13.29	140.8	17.02	163.7	20.81	168.0	21.82	170.0	22.05	174.7	22.12	178.8	22.22
	23	118.5	14.20	140.8	18.20	163.7	22.20	165.8	22.79	168.0	23.06	172.0	23.13	176.3	23.23
	25	118.5	15.17	140.8	19.51	161.2	23.40	163.2	23.82	165.3	24.05	170.0	24.14	174.2	24.24
	27	118.5	16.20	140.8	20.84	159.0	24.59	161.2	24.79	163.2	25.06	167.5	25.15	171.5	25.25
	29	118.5	17.29	140.8	22.25	156.5	25.62	158.5	25.82	160.5	26.04	164.8	26.16	169.5	26.26
	31	118.5	18.42	140.8	23.75	153.8	26.68	156.5	26.78	158.5	27.05	162.7	27.15	166.8	27.28
	33	118.5	19.61	140.8	25.33	151.8	27.65	153.8	27.82	156.0	28.06	160.0	28.16	164.3	28.29
	35	118.5	20.84	140.8	27.00	149.2	28.73	151.2	28.83	153.8	29.05	158.0	29.17	162.2	29.30
	37	118.5	21.78	140.8	27.67	147.0	29.22	149.2	29.40	151.2	29.52	155.5	29.70	159.5	29.79
	39	118.5	22.69	140.3	28.31	144.5	29.72	146.5	29.94	148.5	30.02	153.3	30.21	157.5	30.29
110	10	108.3	9.77	129.2	11.91	150.0	14.13	160.5	15.31	170.8	16.47	183.8	17.14	188.0	17.21
	12	108.3	10.08	129.2	12.31	150.0	14.72	160.5	15.74	170.8	17.09	181.8	17.81	185.5	18.05
	14	108.3	10.38	129.2	12.87	150.0	15.39	160.5	16.52	170.8	17.95	179.2	18.47	183.3	18.86
	16	108.3	10.75	129.2	13.34	150.0	16.03	160.5	17.24	170.8	19.04	177.0	19.51	180.7	19.63
	18	108.3	11.15	129.2	13.89	150.0	16.97	160.5	18.38	170.8	20.17	174.5	20.50	178.7	20.59
	20	108.3	11.56	129.2	14.58	150.0	17.98	160.5	19.58	168.2	21.28	172.5	21.50	176.0	21.58
	21	108.3	11.81	129.2	15.02	150.0	18.62	160.5	20.30	167.2	21.75	170.8	22.00	175.0	22.10
	23	108.3	12.58	129.2	16.10	150.0	19.98	160.5	21.53	164.5	22.79	168.7	23.01	172.5	23.09
	25	108.3	13.44	129.2	17.17	150.0	21.38	160.5	22.79	162.5	23.75	166.2	24.00	170.3	24.10
	27	108.3	14.36	129.2	18.37	150.0	22.89	157.8	24.05	160.0	24.88	164.0	25.01	167.7	25.10
	29	108.3	15.34	129.2	19.61	150.0	24.41	155.7	25.08	157.8	25.87	161.5	26.00	165.5	26.09
	31	108.3	16.30	129.2	20.89	150.0	26.09	153.0	26.19	155.2	26.88	159.3	27.00	163.0	27.10
	33	108.3	17.39	129.2	22.25	149.0	27.55	151.0	27.37	153.0	27.89	156.8	27.99	161.0	28.11
	35	108.3	18.47	129.2	23.75	146.3	28.51	148.5	28.63	150.5	28.88	154.2	29.00	158.3	29.12
	37	108.3	19.19	129.2	24.49	144.3	29.03	146.3	29.05	148.0	29.32	152.0	29.49	155.7	29.57
	39	108.3	19.93	129.2	25.20	141.7	29.47	143.7	29.54	145.8	29.77	149.5	29.94	153.7	30.02
100	10	94.5	9.77	112.5	11.87	131.0	14.09	140.0	15.22	149.0	16.35	167.5	18.20	184.0	18.35
	12	94.5	10.09	112.5	12.36	131.0	14.56	140.0	15.64	149.0	16.87	167.5	19.19	181.5	19.37
	14	94.5	10.39	112.5	12.85	131.0	15.17	140.0	16.31	149.0	17.61	167.5	20.25	179.5	20.45
	16	94.5	10.71	112.5	13.27	131.0	15.81	140.0	17.07	149.0	18.55	167.5	21.24	177.0	21.53
	18	94.5	11.03	112.5	13.77	131.0	16.43	140.0	17.91	149.0	19.66	167.5	22.43	174.5	22.62
	20	94.5	11.42	112.5	14.28	131.0	17.39	140.0	19.19	149.0	21.04	167.5	23.51	172.0	23.70
	21	94.5	11.67	112.5	14.63	131.0	17.98	140.0	19.86	149.0	21.83	167.5	24.05	171.0	24.23
	23	94.5	12.36	112.5	15.64	131.0	19.31	140.0	21.29	149.0	23.39	165.2	25.18	168.8	25.38
	25	94.5	13.13	112.5	16.67	131.0	20.62	140.0	22.79	149.0	25.01	162.8	26.25	166.0	26.47
	27	94.5	14.04	112.5	17.81	131.0	22.08	140.0	24.35	149.0	26.59	160.3	27.48	164.0	27.70
	29	94.5	14.93	112.5	19.02	131.0	23.56	140.0	26.02	149.0	28.14	158.0	28.59	161.5	28.81
	31	94.5	15.96	112.5	20.28	131.0	25.11	140.0	27.75	149.0	29.57	155.5	29.70	159.0	29.95
	33	94.5	16.90	112.5	21.59	131.0	26.81	140.0	29.63	149.0	30.69	153.2	30.81	156.5	31.06
	35	94.5	17.98	112.5	22.97	131.0	28.54	140.0	31.60	146.7	31.80	150.8	31.92	154.0	32.17
	37	94.5	18.70	112.5	23.91	131.0	29.35	140.0	32.14	144.3	32.29	148.5	32.44	152.0	32.73
	39	94.5	19.41	112.5	24.87	131.0	30.12	140.0	32.66	142.0	32.81	146.0	32.93	149.5	33.23

Notes:

1. TC: Total Capacity(kW) PI : Power Input(kW)(Comp. + Outdoor fan motor)
2. Capacity tables show the average value of conditions which may occur.

7. Capacity Tables

Cooling Capacity(50HP)

Combination (%)	Outdoor air temp °C DB	Indoor air temp. (DB/WB, °C)													
		20		23		26		27		28		30		32	
		14		16		18		19		20		22		24	
		TC	PI	TC	PI	TC	PI	TC	PI	TC	PI	TC	PI	TC	PI
90	10	85.0	8.80	101.5	10.70	118.0	12.68	126.0	13.71	134.0	14.72	150.5	16.40	167.0	16.52
	12	85.0	9.08	101.5	11.11	118.0	13.11	126.0	14.08	134.0	15.19	150.5	17.21	167.0	17.44
	14	85.0	9.36	101.5	11.51	118.0	13.60	126.0	14.62	134.0	15.79	150.5	18.08	167.0	18.42
	16	85.0	9.62	101.5	11.87	118.0	14.13	126.0	15.25	134.0	16.52	150.5	18.56	167.0	19.39
	18	85.0	9.89	101.5	12.28	118.0	14.56	126.0	15.78	134.0	16.95	150.5	18.97	167.0	20.37
	20	85.0	10.20	101.5	12.56	118.0	14.85	126.0	16.07	134.0	17.58	150.5	20.31	167.0	21.33
	21	85.0	10.40	101.5	12.68	118.0	15.14	126.0	16.60	134.0	18.24	150.5	21.04	167.0	21.83
	23	85.0	10.68	101.5	13.21	118.0	16.19	126.0	17.82	134.0	19.51	150.5	22.43	164.7	22.86
	25	85.0	11.22	101.5	14.07	118.0	17.29	126.0	19.04	134.0	20.85	150.5	23.52	162.3	23.83
	27	85.0	11.97	101.5	15.02	118.0	18.46	126.0	20.33	134.0	22.31	150.5	24.69	160.0	24.96
	29	85.0	12.68	101.5	16.02	118.0	19.75	126.0	21.73	134.0	23.84	150.5	25.75	157.5	25.97
	31	85.0	13.51	101.5	17.07	118.0	21.04	126.0	23.14	134.0	25.41	150.5	26.76	155.2	26.96
	33	85.0	14.36	101.5	18.17	118.0	22.43	126.0	24.65	134.0	26.97	150.5	27.74	152.8	27.97
	35	85.0	15.24	101.5	19.29	118.0	23.84	126.0	26.29	134.0	28.36	148.0	28.73	150.5	28.98
	37	85.0	16.19	101.5	20.51	118.0	25.41	126.0	27.92	134.0	29.02	145.5	29.20	148.0	29.47
	39	85.0	17.14	101.5	21.82	118.0	26.84	126.0	29.15	134.0	29.55	143.2	29.67	145.7	29.94
80	10	75.5	8.76	90.0	10.62	104.5	12.56	112.0	13.58	119.5	14.58	134.0	16.31	148.5	16.52
	12	75.5	9.01	90.0	10.91	104.5	12.89	112.0	13.88	119.5	14.88	134.0	17.01	148.5	17.44
	14	75.5	9.27	90.0	11.15	104.5	13.08	112.0	14.13	119.5	15.13	134.0	17.32	148.5	18.34
	16	75.5	9.40	90.0	11.34	104.5	13.32	112.0	14.39	119.5	15.45	134.0	17.69	148.5	19.18
	18	75.5	9.59	90.0	11.52	104.5	13.59	112.0	14.64	119.5	15.76	134.0	18.01	148.5	19.62
	20	75.5	9.78	90.0	11.76	104.5	13.88	112.0	14.96	119.5	16.08	134.0	18.69	148.5	20.99
	21	75.5	9.83	90.0	11.91	104.5	14.01	112.0	15.13	119.5	16.45	134.0	19.28	148.5	21.63
	23	75.5	10.03	90.0	12.08	104.5	14.64	112.0	16.08	119.5	17.57	134.0	20.35	148.5	22.75
	25	75.5	10.40	90.0	12.89	104.5	15.69	112.0	17.20	119.5	18.81	134.0	21.79	148.5	23.82
	27	75.5	11.03	90.0	13.71	104.5	16.76	112.0	18.37	119.5	20.06	134.0	23.15	148.5	24.96
	29	75.5	11.71	90.0	14.64	104.5	17.81	112.0	19.57	119.5	21.42	134.0	24.79	148.5	25.97
	31	75.5	12.47	90.0	15.52	104.5	19.01	112.0	20.86	119.5	22.79	134.0	26.31	148.5	26.96
	33	75.5	13.20	90.0	16.57	104.5	20.25	112.0	22.23	119.5	24.30	134.0	27.50	148.5	27.97
	35	75.5	14.01	90.0	17.57	104.5	21.55	112.0	23.67	119.5	25.91	134.0	28.60	147.0	28.98
	37	75.5	14.83	90.0	18.67	104.5	22.86	112.0	25.16	119.5	27.52	134.0	29.20	144.5	29.47
	39	75.5	15.67	90.0	19.74	104.5	24.21	112.0	26.52	119.5	29.24	134.0	29.67	142.2	29.94
70	10	66.0	8.01	79.0	9.52	91.5	11.04	98.0	11.92	104.5	12.74	117.0	14.50	130.0	16.24
	12	66.0	8.13	79.0	9.65	91.5	11.28	98.0	12.11	104.5	12.99	117.0	14.77	130.0	16.53
	14	66.0	8.25	79.0	9.77	91.5	11.48	98.0	12.31	104.5	13.18	117.0	15.07	130.0	16.83
	16	66.0	8.40	79.0	9.96	91.5	11.67	98.0	12.55	104.5	13.43	117.0	15.33	130.0	17.19
	18	66.0	8.52	79.0	10.16	91.5	11.92	98.0	12.80	104.5	13.70	117.0	15.58	130.0	17.51
	20	66.0	8.64	79.0	10.35	91.5	12.11	98.0	13.06	104.5	14.01	117.0	15.97	130.0	18.17
	21	66.0	8.77	79.0	10.40	91.5	12.23	98.0	13.18	104.5	14.14	117.0	16.21	130.0	18.75
	23	66.0	8.89	79.0	10.67	91.5	12.50	98.0	13.62	104.5	14.82	117.0	17.34	130.0	19.78
	25	66.0	9.01	79.0	11.04	91.5	13.31	98.0	14.58	104.5	15.82	117.0	18.55	130.0	21.17
	27	66.0	9.52	79.0	11.79	91.5	14.19	98.0	15.46	104.5	16.90	117.0	19.80	130.0	22.51
	29	66.0	10.16	79.0	12.50	91.5	15.07	98.0	16.46	104.5	17.97	117.0	21.12	130.0	24.10
	31	66.0	10.79	79.0	13.31	91.5	16.09	98.0	17.60	104.5	19.17	117.0	22.51	130.0	25.59
	33	66.0	11.43	79.0	14.06	91.5	17.09	98.0	18.68	104.5	20.37	117.0	23.98	130.0	26.96
	35	66.0	12.04	79.0	15.02	91.5	18.17	98.0	19.87	104.5	21.71	117.0	25.54	130.0	28.59
	37	66.0	12.80	79.0	15.90	91.5	19.31	98.0	21.12	104.5	23.10	117.0	27.18	130.0	29.36
	39	66.0	13.46	79.0	16.80	91.5	20.44	98.0	22.29	104.5	24.44	117.0	28.81	130.0	29.94
60	10	56.5	7.03	67.5	8.23	78.5	9.58	84.0	10.29	89.5	10.92	100.5	12.39	111.5	13.85
	12	56.5	7.16	67.5	8.36	78.5	9.70	84.0	10.41	89.5	11.12	100.5	12.58	111.5	14.12
	14	56.5	7.21	67.5	8.50	78.5	9.90	84.0	10.60	89.5	11.31	100.5	12.83	111.5	14.37
	16	56.5	7.35	67.5	8.68	78.5	10.02	84.0	10.80	89.5	11.56	100.5	13.10	111.5	14.63
	18	56.5	7.48	67.5	8.82	78.5	10.21	84.0	10.99	89.5	11.75	100.5	13.29	111.5	14.95
	20	56.5	7.60	67.5	8.94	78.5	10.41	84.0	11.17	89.5	11.95	100.5	13.54	111.5	15.27
	21	56.5	7.67	67.5	9.01	78.5	10.53	84.0	11.31	89.5	12.07	100.5	13.73	111.5	15.39
	23	56.5	7.79	67.5	9.19	78.5	10.68	84.0	11.51	89.5	12.32	100.5	14.24	111.5	16.35
	25	56.5	7.92	67.5	9.38	78.5	11.12	84.0	12.07	89.5	13.10	100.5	15.20	111.5	17.50
	27	56.5	8.18	67.5	9.90	78.5	11.82	84.0	12.83	89.5	13.93	100.5	16.15	111.5	18.64
	29	56.5	8.68	67.5	10.53	78.5	12.58	84.0	13.66	89.5	14.81	100.5	17.25	111.5	19.94
	31	56.5	9.19	67.5	11.17	78.5	13.34	84.0	14.56	89.5	15.78	100.5	18.40	111.5	21.21
	33	56.5	9.70	67.5	11.82	78.5	14.17	84.0	15.46	89.5	16.79	100.5	19.55	111.5	22.60
	35	56.5	10.29	67.5	12.58	78.5	15.07	84.0	16.42	89.5	17.81	100.5	20.82	111.5	24.02
	37	56.5	10.85	67.5	13.27	78.5	15.96	84.0	17.44	89.5	18.91	100.5	22.09	111.5	25.56
	39	56.5	11.43	67.5	14.00	78.5	16.91	84.0	18.52	89.5	19.94	100.5	23.46	111.5	27.10

Notes:

1. TC: Total Capacity(kW) PI : Power Input(kW)(Comp. + Outdoor fan motor)
2. Capacity tables show the average value of conditions which may occur.

7. Capacity Tables

Cooling Capacity(50HP)

Combination (%)	Outdoor air temp °C DB	Indoor air temp. (DB/WB, °C)													
		20		23		26		27		28		30		32	
		14		16		18		19		20		22		24	
		TC	PI	TC	PI	TC	PI	TC	PI	TC	PI	TC	PI	TC	PI
50	10	47.3	6.14	56.5	7.11	65.5	8.09	70.0	8.66	74.5	9.19	83.5	10.34	93.0	11.51
	12	47.3	6.21	56.5	7.19	65.5	8.21	70.0	8.80	74.5	9.37	83.5	10.54	93.0	11.71
	14	47.3	6.28	56.5	7.31	65.5	8.34	70.0	8.92	74.5	9.51	83.5	10.66	93.0	11.90
	16	47.3	6.40	56.5	7.43	65.5	8.46	70.0	9.12	74.5	9.63	83.5	10.86	93.0	12.10
	18	47.3	6.46	56.5	7.50	65.5	8.60	70.0	9.24	74.5	9.83	83.5	11.05	93.0	12.35
	20	47.3	6.53	56.5	7.63	65.5	8.80	70.0	9.37	74.5	10.02	83.5	11.25	93.0	12.61
	21	47.3	6.60	56.5	7.70	65.5	8.85	70.0	9.51	74.5	10.10	83.5	11.37	93.0	12.74
	23	47.3	6.72	56.5	7.82	65.5	9.00	70.0	9.63	74.5	10.27	83.5	11.57	93.0	13.01
	25	47.3	6.80	56.5	7.95	65.5	9.19	70.0	9.83	74.5	10.61	83.5	12.15	93.0	13.91
	27	47.3	6.92	56.5	8.21	65.5	9.70	70.0	10.47	74.5	11.25	83.5	13.01	93.0	14.81
	29	47.3	7.31	56.5	8.73	65.5	10.27	70.0	11.12	74.5	11.96	83.5	13.77	93.0	15.72
	31	47.3	7.70	56.5	9.24	65.5	10.93	70.0	11.76	74.5	12.74	83.5	14.67	93.0	16.75
	33	47.3	8.14	56.5	9.76	65.5	11.57	70.0	12.47	74.5	13.52	83.5	15.58	93.0	17.85
	35	47.3	8.60	56.5	10.34	65.5	12.22	70.0	13.25	74.5	14.28	83.5	16.48	93.0	18.95
	37	47.3	9.12	56.5	10.93	65.5	12.93	70.0	14.03	74.5	15.13	83.5	17.58	93.0	20.10
39	47.3	9.53	56.5	11.49	65.5	13.72	70.0	14.81	74.5	15.92	83.5	18.56	93.0	21.29	

Notes:

1. TC: Total Capacity(kW) PI : Power Input(kW)(Comp. + Outdoor fan motor)
2. Capacity tables show the average value of conditions which may occur.

7. Capacity Tables

ARUB520LTE4

Cooling Capacity(52HP)

Combination (%)	Outdoor air temp °C DB	Indoor air temp. (DB/WB, °C)													
		20		23		26		27		28		30		32	
		14		16		18		19		20		22		24	
		TC	PI	TC	PI	TC	PI	TC	PI	TC	PI	TC	PI	TC	PI
130	10	133.1	12.71	158.6	15.51	184.1	18.00	191.1	18.36	193.2	18.57	198.1	18.65	203.0	18.78
	12	133.1	13.02	158.6	16.08	184.1	18.75	188.3	18.86	191.6	19.22	195.3	19.42	200.2	19.51
	14	133.1	13.44	158.6	16.65	183.5	19.45	186.2	19.58	188.3	19.92	193.2	20.10	198.1	20.26
	16	133.1	13.93	158.6	17.24	181.2	20.31	183.5	20.51	185.6	20.65	190.6	20.85	195.3	21.03
	18	133.1	14.52	158.6	18.23	178.6	21.42	180.7	21.58	183.5	21.71	188.3	21.81	193.2	21.94
	20	133.1	15.17	158.6	19.43	175.8	22.43	178.9	22.64	180.7	22.77	185.6	22.88	190.6	23.03
	21	133.1	15.56	158.6	20.10	174.7	22.95	177.6	23.18	179.7	23.29	184.6	23.42	189.5	23.55
	23	133.1	16.70	158.6	21.58	172.6	23.94	174.7	24.17	177.3	24.35	181.8	24.48	186.7	24.64
	25	133.1	17.84	158.6	23.06	170.0	25.00	172.7	25.24	174.7	25.42	179.7	25.55	184.6	25.70
	27	133.1	19.09	158.6	24.64	167.7	26.09	170.0	26.27	172.7	26.48	177.3	26.61	181.8	26.77
	29	133.1	20.33	158.6	26.35	165.1	27.16	167.4	27.34	170.0	27.54	174.7	27.67	179.7	27.83
	31	133.1	21.69	158.1	27.75	162.3	28.24	165.1	28.43	167.4	28.58	172.1	28.74	177.0	28.92
	33	133.1	23.11	155.2	28.82	160.2	29.31	162.8	29.51	165.1	29.65	170.0	29.80	174.2	29.98
	35	133.1	24.64	152.6	29.88	157.5	30.40	160.2	30.58	162.8	30.71	167.2	30.86	172.1	31.05
	37	133.1	25.52	150.5	30.45	155.2	30.99	157.5	31.23	160.2	31.36	164.6	31.46	169.5	31.69
	39	133.1	26.38	147.7	31.04	152.6	31.61	155.2	31.85	157.5	31.95	162.3	32.06	167.2	32.29
120	10	123.2	11.41	146.4	14.01	170.3	16.65	182.2	17.98	190.8	18.26	195.2	18.34	199.7	18.41
	12	123.2	11.72	146.4	14.47	170.3	17.30	182.2	18.36	188.2	18.94	192.4	19.17	196.8	19.25
	14	123.2	12.14	146.4	14.97	170.3	18.00	182.2	19.06	185.4	19.64	190.3	19.92	194.7	20.10
	16	123.2	12.58	146.4	15.59	170.3	18.70	181.2	20.07	183.3	20.54	187.7	20.64	191.9	20.86
	18	123.2	13.07	146.4	16.29	170.3	19.84	178.4	21.21	180.7	21.60	184.9	21.68	189.8	21.78
	20	123.2	13.56	146.4	17.27	170.3	21.14	176.3	22.43	178.4	22.67	182.8	22.75	187.2	22.85
	21	123.2	13.98	146.4	17.89	170.3	21.89	174.7	22.95	176.8	23.19	181.7	23.27	185.9	23.37
	23	123.2	14.94	146.4	19.14	170.3	23.34	172.4	23.97	174.7	24.25	178.9	24.33	183.3	24.43
	25	123.2	15.95	146.4	20.51	167.7	24.61	169.8	25.05	171.9	25.29	176.8	25.39	181.2	25.49
	27	123.2	17.04	146.4	21.92	165.4	25.86	167.7	26.07	169.8	26.35	174.2	26.45	178.4	26.56
	29	123.2	18.18	146.4	23.40	162.7	26.95	164.8	27.15	166.9	27.39	171.3	27.52	176.3	27.62
	31	123.2	19.37	146.4	24.98	159.9	28.06	162.7	28.17	164.8	28.45	169.2	28.56	173.4	28.68
	33	123.2	20.62	146.4	26.64	157.8	29.08	159.9	29.25	162.2	29.51	166.4	29.62	170.8	29.75
	35	123.2	21.92	146.4	28.40	155.2	30.21	157.3	30.32	159.9	30.55	164.3	30.68	168.7	30.81
	37	123.2	22.90	146.4	29.10	152.9	30.73	155.2	30.92	157.3	31.04	161.7	31.23	165.9	31.33
	39	123.2	23.86	145.9	29.78	150.3	31.25	152.4	31.48	154.5	31.57	159.4	31.77	163.8	31.85
110	10	112.6	10.27	134.4	12.53	156.0	14.86	166.9	16.10	177.6	17.33	191.1	18.03	195.5	18.10
	12	112.6	10.60	134.4	12.94	156.0	15.49	166.9	16.55	177.6	17.97	189.0	18.73	192.9	18.99
	14	112.6	10.92	134.4	13.54	156.0	16.19	166.9	17.38	177.6	18.88	186.4	19.42	190.6	19.84
	16	112.6	11.31	134.4	14.03	156.0	16.86	166.9	18.13	177.6	20.02	184.1	20.51	188.0	20.65
	18	112.6	11.73	134.4	14.60	156.0	17.84	166.9	19.32	177.6	21.21	181.5	21.55	185.9	21.65
	20	112.6	12.16	134.4	15.33	156.0	18.91	166.9	20.59	175.0	22.38	179.4	22.62	183.0	22.70
	21	112.6	12.42	134.4	15.79	156.0	19.58	166.9	21.34	173.9	22.88	177.6	23.14	182.0	23.24
	23	112.6	13.23	134.4	16.93	156.0	21.01	166.9	22.64	171.1	23.97	175.5	24.20	179.4	24.28
	25	112.6	14.14	134.4	18.05	156.0	22.49	166.9	23.97	169.0	24.98	172.9	25.24	177.1	25.34
	27	112.6	15.10	134.4	19.32	156.0	24.07	164.1	25.29	166.4	26.17	170.6	26.30	174.4	26.40
	29	112.6	16.13	134.4	20.62	156.0	25.68	162.0	26.38	164.1	27.21	167.9	27.34	172.1	27.44
	31	112.6	17.15	134.4	21.97	156.0	27.44	159.1	27.54	161.4	28.27	165.6	28.40	169.5	28.50
	33	112.6	18.29	134.4	23.40	154.9	28.97	157.0	28.79	159.1	29.33	163.0	29.44	167.4	29.57
	35	112.6	19.43	134.4	24.98	152.1	29.98	154.4	30.11	156.5	30.37	160.4	30.50	164.6	30.63
	37	112.6	20.18	134.4	25.75	150.0	30.52	152.1	30.55	153.9	30.83	158.1	31.02	162.0	31.10
	39	112.6	20.96	134.4	26.51	147.4	31.00	149.5	31.07	151.6	31.30	155.5	31.49	159.9	31.57
100	10	98.3	10.26	117.0	12.47	136.2	14.80	145.6	15.99	155.0	17.18	174.2	19.13	191.4	19.28
	12	98.3	10.60	117.0	12.98	136.2	15.29	145.6	16.43	155.0	17.73	174.2	20.16	188.8	20.35
	14	98.3	10.91	117.0	13.50	136.2	15.94	145.6	17.13	155.0	18.50	174.2	21.28	186.7	21.48
	16	98.3	11.25	117.0	13.94	136.2	16.62	145.6	17.94	155.0	19.49	174.2	22.31	184.1	22.62
	18	98.3	11.59	117.0	14.46	136.2	17.26	145.6	18.82	155.0	20.66	174.2	23.56	181.5	23.76
	20	98.3	12.00	117.0	15.01	136.2	18.27	145.6	20.16	155.0	22.11	174.2	24.70	178.9	24.90
	21	98.3	12.26	117.0	15.37	136.2	18.89	145.6	20.86	155.0	22.94	174.2	25.27	177.8	25.45
	23	98.3	12.98	117.0	16.43	136.2	20.29	145.6	22.37	155.0	24.57	171.8	26.46	175.5	26.67
	25	98.3	13.79	117.0	17.52	136.2	21.67	145.6	23.95	155.0	26.28	169.3	27.58	172.6	27.81
	27	98.3	14.75	117.0	18.71	136.2	23.19	145.6	25.58	155.0	27.94	166.7	28.87	170.6	29.11
	29	98.3	15.68	117.0	19.98	136.2	24.75	145.6	27.34	155.0	29.57	164.3	30.04	168.0	30.27
	31	98.3	16.77	117.0	21.30	136.2	26.39	145.6	29.16	155.0	31.07	161.7	31.20	165.4	31.46
	33	98.3	17.76	117.0	22.68	136.2	28.17	145.6	31.13	155.0	32.24	159.4	32.37	162.8	32.63
	35	98.3	18.89	117.0	24.13	136.2	29.99	145.6	33.20	152.6	33.41	156.8	33.54	160.2	33.80
	37	98.3	19.65	117.0	25.12	136.2	30.84	145.6	33.77	150.0	33.93	154.4	34.08	158.1	34.39
	39	98.3	20.40	117.0	26.13	136.2	31.65	145.6	34.32	147.7	34.47	151.9	34.60	155.5	34.91

Notes:
 1. TC: Total Capacity(kW) PI : Power Input(kW)(Comp. + Outdoor fan motor)
 2. Capacity tables show the average value of conditions which may occur.

7. Capacity Tables

Cooling Capacity(52HP)

Combination (%)	Outdoor air temp °C DB	Indoor air temp. (DB/WB, °C)													
		20		23		26		27		28		30		32	
		14		16		18		19		20		22		24	
		TC	PI	TC	PI	TC	PI	TC	PI	TC	PI	TC	PI	TC	PI
90	10	88.4	9.26	105.6	11.25	122.7	13.31	131.0	14.39	139.4	15.46	156.5	17.23	173.7	17.38
	12	88.4	9.52	105.6	11.63	122.7	13.72	131.0	14.75	139.4	15.91	156.5	18.01	173.7	18.34
	14	88.4	9.80	105.6	12.04	122.7	14.23	131.0	15.30	139.4	16.52	156.5	18.89	173.7	19.37
	16	88.4	10.06	105.6	12.42	122.7	14.77	131.0	15.94	139.4	17.27	156.5	19.39	173.7	20.34
	18	88.4	10.34	105.6	12.83	122.7	15.21	131.0	16.48	139.4	17.70	156.5	19.82	173.7	21.37
	20	88.4	10.66	105.6	13.12	122.7	15.51	131.0	16.79	139.4	18.37	156.5	21.22	173.7	22.39
	21	88.4	10.87	105.6	13.25	122.7	15.82	131.0	17.35	139.4	19.05	156.5	21.99	173.7	22.90
	23	88.4	11.16	105.6	13.80	122.7	16.91	131.0	18.62	139.4	20.38	156.5	23.44	171.3	23.99
	25	88.4	11.72	105.6	14.70	122.7	18.06	131.0	19.90	139.4	21.78	156.5	24.59	168.8	25.00
	27	88.4	12.51	105.6	15.69	122.7	19.28	131.0	21.24	139.4	23.31	156.5	25.84	166.4	26.19
	29	88.4	13.25	105.6	16.73	122.7	20.63	131.0	22.70	139.4	24.91	156.5	27.04	163.8	27.25
	31	88.4	14.11	105.6	17.83	122.7	21.98	131.0	24.17	139.4	26.55	156.5	28.10	161.4	28.29
	33	88.4	15.01	105.6	18.98	122.7	23.44	131.0	25.76	139.4	28.17	156.5	29.14	158.9	29.34
	35	88.4	15.92	105.6	20.15	122.7	24.91	131.0	27.46	139.4	29.64	156.5	30.18	156.5	30.40
	37	88.4	16.91	105.6	21.42	122.7	26.55	131.0	29.17	139.4	30.37	151.3	30.71	153.9	30.99
	39	88.4	17.91	105.6	22.80	122.7	28.04	131.0	30.47	139.4	31.07	149.0	31.20	151.6	31.49
80	10	78.5	9.18	93.6	11.14	108.7	13.16	116.5	14.23	124.3	15.28	139.4	17.10	154.4	17.38
	12	78.5	9.45	93.6	11.42	108.7	13.50	116.5	14.55	124.3	15.59	139.4	17.81	154.4	18.34
	14	78.5	9.71	93.6	11.68	108.7	13.70	116.5	14.80	124.3	15.85	139.4	18.15	154.4	19.23
	16	78.5	9.84	93.6	11.88	108.7	13.96	116.5	15.08	124.3	16.18	139.4	18.53	154.4	20.10
	18	78.5	10.05	93.6	12.07	108.7	14.23	116.5	15.34	124.3	16.51	139.4	18.86	154.4	20.55
	20	78.5	10.25	93.6	12.32	108.7	14.55	116.5	15.67	124.3	16.84	139.4	19.58	154.4	21.98
	21	78.5	10.30	93.6	12.47	108.7	14.67	116.5	15.85	124.3	17.23	139.4	20.19	154.4	22.66
	23	78.5	10.51	93.6	12.65	108.7	15.34	116.5	16.84	124.3	18.40	139.4	21.32	154.4	23.86
	25	78.5	10.89	93.6	13.50	108.7	16.44	116.5	18.02	124.3	19.71	139.4	22.82	154.4	25.00
	27	78.5	11.55	93.6	14.36	108.7	17.56	116.5	19.25	124.3	21.01	139.4	24.25	154.4	26.19
	29	78.5	12.27	93.6	15.34	108.7	18.66	116.5	20.50	124.3	22.44	139.4	25.97	154.4	27.25
	31	78.5	13.06	93.6	16.25	108.7	19.91	116.5	21.85	124.3	23.87	139.4	27.56	154.4	28.29
	33	78.5	13.83	93.6	17.36	108.7	21.21	116.5	23.29	124.3	25.46	139.4	28.82	154.4	29.34
	35	78.5	14.67	93.6	18.40	108.7	22.57	116.5	24.79	124.3	27.14	139.4	30.00	152.9	30.40
	37	78.5	15.54	93.6	19.56	108.7	23.95	116.5	26.35	124.3	28.83	139.4	30.71	150.3	30.99
	39	78.5	16.41	93.6	20.68	108.7	25.36	116.5	27.78	124.3	30.63	139.4	31.20	147.9	31.49
70	10	68.6	8.41	82.2	10.00	95.2	11.59	101.9	12.52	108.7	13.38	121.7	15.23	135.2	17.05
	12	68.6	8.54	82.2	10.13	95.2	11.85	101.9	12.72	108.7	13.64	121.7	15.51	135.2	17.36
	14	68.6	8.67	82.2	10.26	95.2	12.05	101.9	12.92	108.7	13.85	121.7	15.82	135.2	17.67
	16	68.6	8.82	82.2	10.46	95.2	12.26	101.9	13.18	108.7	14.11	121.7	16.10	135.2	18.05
	18	68.6	8.95	82.2	10.67	95.2	12.52	101.9	13.44	108.7	14.38	121.7	16.36	135.2	18.38
	20	68.6	9.08	82.2	10.87	95.2	12.72	101.9	13.72	108.7	14.72	121.7	16.77	135.2	19.08
	21	68.6	9.21	82.2	10.93	95.2	12.85	101.9	13.85	108.7	14.85	121.7	17.03	135.2	19.69
	23	68.6	9.34	82.2	11.20	95.2	13.13	101.9	14.31	108.7	15.57	121.7	18.21	135.2	20.77
	25	68.6	9.46	82.2	11.59	95.2	13.98	101.9	15.31	108.7	16.62	121.7	19.49	135.2	22.23
	27	68.6	10.00	82.2	12.39	95.2	14.90	101.9	16.23	108.7	17.75	121.7	20.80	135.2	23.64
	29	68.6	10.67	82.2	13.13	95.2	15.82	101.9	17.29	108.7	18.87	121.7	22.18	135.2	25.31
	31	68.6	11.33	82.2	13.98	95.2	16.90	101.9	18.49	108.7	20.13	121.7	23.64	135.2	26.87
	33	68.6	12.00	82.2	14.77	95.2	17.95	101.9	19.62	108.7	21.39	121.7	25.18	135.2	28.31
	35	68.6	12.64	82.2	15.77	95.2	19.08	101.9	20.87	108.7	22.80	121.7	26.82	135.2	30.03
	37	68.6	13.44	82.2	16.70	95.2	20.28	101.9	22.18	108.7	24.26	121.7	28.54	135.2	30.87
	39	68.6	14.13	82.2	17.64	95.2	21.46	101.9	23.41	108.7	25.67	121.7	30.26	135.2	31.49
60	10	58.8	7.41	70.2	8.67	81.6	10.08	87.4	10.83	93.1	11.50	104.5	13.04	116.0	14.59
	12	58.8	7.54	70.2	8.80	81.6	10.21	87.4	10.96	93.1	11.70	104.5	13.25	116.0	14.87
	14	58.8	7.59	70.2	8.95	81.6	10.42	87.4	11.16	93.1	11.91	104.5	13.51	116.0	15.13
	16	58.8	7.74	70.2	9.14	81.6	10.55	87.4	11.37	93.1	12.17	104.5	13.79	116.0	15.41
	18	58.8	7.87	70.2	9.29	81.6	10.75	87.4	11.57	93.1	12.37	104.5	13.99	116.0	15.74
	20	58.8	8.00	70.2	9.42	81.6	10.96	87.4	11.76	93.1	12.58	104.5	14.25	116.0	16.08
	21	58.8	8.08	70.2	9.49	81.6	11.09	87.4	11.91	93.1	12.71	104.5	14.46	116.0	16.21
	23	58.8	8.21	70.2	9.67	81.6	11.24	87.4	12.11	93.1	12.97	104.5	15.00	116.0	17.21
	25	58.8	8.34	70.2	9.88	81.6	11.70	87.4	12.71	93.1	13.79	104.5	16.00	116.0	18.42
	27	58.8	8.62	70.2	10.42	81.6	12.45	87.4	13.51	93.1	14.66	104.5	17.01	116.0	19.63
	29	58.8	9.14	70.2	11.09	81.6	13.25	87.4	14.38	93.1	15.59	104.5	18.16	116.0	20.99
	31	58.8	9.67	70.2	11.76	81.6	14.05	87.4	15.33	93.1	16.62	104.5	19.37	116.0	22.33
	33	58.8	10.21	70.2	12.45	81.6	14.92	87.4	16.28	93.1	17.68	104.5	20.58	116.0	23.80
	35	58.8	10.83	70.2	13.25	81.6	15.87	87.4	17.29	93.1	18.76	104.5	21.92	116.0	25.29
	37	58.8	11.42	70.2	13.97	81.6	16.80	87.4	18.37	93.1	19.91	104.5	23.26	116.0	26.91
	39	58.8	12.04	70.2	14.74	81.6	17.80	87.4	19.50	93.1	20.99	104.5	24.70	116.0	28.53

Notes:
 1. TC: Total Capacity(kW) PI : Power Input(kW)(Comp. + Outdoor fan motor)
 2. Capacity tables show the average value of conditions which may occur.

7. Capacity Tables

Cooling Capacity(52HP)

Combination (%)	Outdoor air temp °C DB	Indoor air temp. (DB/WB, °C)													
		20		23		26		27		28		30		32	
		14		16		18		19		20		22		24	
		TC	PI	TC	PI	TC	PI	TC	PI	TC	PI	TC	PI	TC	PI
50	10	49.1	6.48	58.8	7.51	68.1	8.54	72.8	9.14	77.5	9.70	86.8	10.92	96.7	12.15
	12	49.1	6.55	58.8	7.58	68.1	8.67	72.8	9.29	77.5	9.89	86.8	11.12	96.7	12.36
	14	49.1	6.63	58.8	7.71	68.1	8.80	72.8	9.42	77.5	10.04	86.8	11.25	96.7	12.56
	16	49.1	6.76	58.8	7.85	68.1	8.93	72.8	9.62	77.5	10.17	86.8	11.46	96.7	12.77
	18	49.1	6.82	58.8	7.92	68.1	9.08	72.8	9.76	77.5	10.37	86.8	11.67	96.7	13.03
	20	49.1	6.89	58.8	8.05	68.1	9.29	72.8	9.89	77.5	10.58	86.8	11.87	96.7	13.31
	21	49.1	6.97	58.8	8.13	68.1	9.34	72.8	10.04	77.5	10.65	86.8	12.00	96.7	13.44
	23	49.1	7.10	58.8	8.26	68.1	9.49	72.8	10.17	77.5	10.84	86.8	12.21	96.7	13.73
	25	49.1	7.17	58.8	8.39	68.1	9.70	72.8	10.37	77.5	11.20	86.8	12.83	96.7	14.68
	27	49.1	7.30	58.8	8.67	68.1	10.24	72.8	11.05	77.5	11.87	86.8	13.73	96.7	15.64
	29	49.1	7.71	58.8	9.21	68.1	10.84	72.8	11.74	77.5	12.62	86.8	14.53	96.7	16.59
	31	49.1	8.13	58.8	9.76	68.1	11.53	72.8	12.41	77.5	13.44	86.8	15.48	96.7	17.68
	33	49.1	8.59	58.8	10.30	68.1	12.21	72.8	13.16	77.5	14.27	86.8	16.44	96.7	18.84
	35	49.1	9.08	58.8	10.92	68.1	12.90	72.8	13.99	77.5	15.07	86.8	17.39	96.7	20.00
	37	49.1	9.62	58.8	11.53	68.1	13.65	72.8	14.81	77.5	15.97	86.8	18.56	96.7	21.21
	39	49.1	10.06	58.8	12.13	68.1	14.48	72.8	15.64	77.5	16.80	86.8	19.58	96.7	22.48

Notes:

1. TC: Total Capacity(kW) PI : Power Input(kW)(Comp. + Outdoor fan motor)
2. Capacity tables show the average value of conditions which may occur.

7. Capacity Tables

ARUB540LTE4

Cooling Capacity(54HP)

Combination (%)	Outdoor air temp °C DB	Indoor air temp. (DB/WB, °C)													
		20		23		26		27		28		30		32	
		14		16		18		19		20		22		24	
		TC	PI	TC	PI	TC	PI	TC	PI	TC	PI	TC	PI	TC	PI
130	10	138.2	13.40	164.7	16.36	191.1	18.98	198.4	19.36	200.6	19.58	205.7	19.67	210.8	19.80
	12	138.2	13.73	164.7	16.95	191.1	19.77	195.5	19.88	199.0	20.27	202.8	20.48	207.9	20.57
	14	138.2	14.17	164.7	17.56	190.6	20.51	193.3	20.65	195.5	21.00	200.6	21.20	205.7	21.36
	16	138.2	14.69	164.7	18.18	188.2	21.42	190.6	21.63	192.8	21.77	197.9	21.99	202.8	22.18
	18	138.2	15.31	164.7	19.23	185.5	22.59	187.7	22.76	190.6	22.89	195.5	23.00	200.6	23.14
	20	138.2	16.00	164.7	20.48	182.5	23.66	185.8	23.87	187.7	24.01	192.8	24.12	197.9	24.28
	21	138.2	16.41	164.7	21.20	181.5	24.20	184.4	24.45	186.6	24.56	191.7	24.69	196.8	24.83
	23	138.2	17.61	164.7	22.75	179.3	25.24	181.5	25.49	184.2	25.68	188.7	25.82	193.9	25.98
	25	138.2	18.81	164.7	24.31	176.5	26.36	179.3	26.61	181.5	26.80	186.6	26.94	191.7	27.10
	27	138.2	20.13	164.7	25.98	174.2	27.51	176.5	27.70	179.3	27.92	184.2	28.06	188.7	28.22
	29	138.2	21.44	164.7	27.79	171.4	28.63	173.9	28.83	176.5	29.04	181.5	29.18	186.6	29.35
	31	138.2	22.87	164.1	29.26	168.5	29.78	171.4	29.97	173.9	30.14	178.7	30.30	183.8	30.49
	33	138.2	24.37	161.2	30.38	166.3	30.91	169.0	31.12	171.4	31.26	176.5	31.42	180.9	31.61
	35	138.2	25.98	158.5	31.50	163.6	32.05	166.3	32.25	169.0	32.38	173.6	32.54	178.7	32.74
	37	138.2	26.91	156.3	32.10	161.2	32.68	163.6	32.93	166.3	33.06	170.9	33.17	176.0	33.42
	39	138.2	27.82	153.4	32.74	158.5	33.34	161.2	33.58	163.6	33.69	168.5	33.80	173.6	34.05
120	10	127.9	12.04	152.0	14.77	176.8	17.56	189.3	18.96	198.2	19.26	202.8	19.34	207.3	19.42
	12	127.9	12.36	152.0	15.26	176.8	18.24	189.3	19.36	195.5	19.97	199.8	20.21	204.4	20.30
	14	127.9	12.80	152.0	15.78	176.8	18.98	189.3	20.10	192.5	20.70	197.6	21.01	202.2	21.20
	16	127.9	13.26	152.0	16.43	176.8	19.72	188.2	21.17	190.4	21.66	194.9	21.77	199.3	21.99
	18	127.9	13.78	152.0	17.17	176.8	20.92	185.2	22.37	187.6	22.78	192.0	22.87	197.1	22.97
	20	127.9	14.30	152.0	18.21	176.8	22.29	183.0	23.66	185.2	23.90	189.8	23.99	194.4	24.09
	21	127.9	14.74	152.0	18.87	176.8	23.08	181.4	24.20	183.6	24.45	188.7	24.53	193.1	24.64
	23	127.9	15.75	152.0	20.18	176.8	24.61	179.0	25.27	181.4	25.57	185.8	25.65	190.4	25.76
	25	127.9	16.82	152.0	21.63	174.1	25.95	176.3	26.42	178.5	26.67	183.6	26.77	188.2	26.88
	27	127.9	17.97	152.0	23.11	171.7	27.27	174.1	27.49	176.3	27.78	180.9	27.89	185.2	28.00
	29	127.9	19.17	152.0	24.67	169.0	28.41	171.2	28.63	173.4	28.88	177.9	29.01	183.0	29.12
	31	127.9	20.43	152.0	26.34	166.1	29.59	169.0	29.70	171.2	30.00	175.8	30.11	180.1	30.25
	33	127.9	21.74	152.0	28.09	163.9	30.66	166.1	30.85	168.4	31.12	172.8	31.23	177.4	31.37
	35	127.9	23.11	152.0	29.95	161.2	31.86	163.3	31.97	166.1	32.22	170.6	32.35	175.2	32.49
	37	127.9	24.15	152.0	30.68	158.8	32.40	161.2	32.60	163.3	32.73	167.9	32.93	172.3	33.03
	39	127.9	25.16	151.5	31.40	156.0	32.96	158.2	33.20	160.4	33.29	165.5	33.50	170.1	33.59
110	10	116.9	10.83	139.6	13.21	162.0	15.67	173.3	16.98	184.4	18.27	198.5	19.01	203.0	19.09
	12	116.9	11.18	139.6	13.65	162.0	16.33	173.3	17.45	184.4	18.95	196.3	19.75	200.3	20.02
	14	116.9	11.52	139.6	14.27	162.0	17.07	173.3	18.32	184.4	19.91	193.6	20.48	197.9	20.92
	16	116.9	11.93	139.6	14.79	162.0	17.78	173.3	19.12	184.4	21.12	191.2	21.63	195.2	21.77
	18	116.9	12.36	139.6	15.40	162.0	18.81	173.3	20.38	184.4	22.37	188.4	22.73	193.0	22.83
	20	116.9	12.82	139.6	16.16	162.0	19.94	173.3	21.72	181.7	23.60	186.3	23.85	190.1	23.93
	21	116.9	13.10	139.6	16.65	162.0	20.65	173.3	22.51	180.6	24.12	184.4	24.40	189.0	24.50
	23	116.9	13.95	139.6	17.86	162.0	22.15	173.3	23.87	177.7	25.27	182.2	25.51	186.3	25.60
	25	116.9	14.91	139.6	19.04	162.0	23.71	173.3	25.27	175.5	26.34	179.5	26.61	183.9	26.72
	27	116.9	15.92	139.6	20.37	162.0	25.38	170.4	26.67	172.8	27.59	177.1	27.73	181.2	27.84
	29	116.9	17.01	139.6	21.74	162.0	27.07	168.2	27.81	170.4	28.69	174.4	28.83	178.8	28.94
	31	116.9	18.08	139.6	23.17	162.0	28.93	165.3	29.04	167.7	29.81	172.0	29.94	176.0	30.06
	33	116.9	19.28	139.6	24.67	160.9	30.55	163.1	30.35	165.3	30.93	169.3	31.04	173.8	31.18
	35	116.9	20.48	139.6	26.34	158.0	31.62	160.3	31.75	162.5	32.03	166.6	32.16	170.9	32.30
	37	116.9	21.28	139.6	27.16	155.8	32.19	158.0	32.22	159.8	32.51	164.2	32.71	168.2	32.79
	39	116.9	22.10	139.6	27.95	153.1	32.68	155.2	32.76	157.4	33.01	161.4	33.20	166.0	33.29
100	10	102.1	10.63	121.5	12.91	141.5	15.33	151.2	16.56	160.9	17.80	180.9	19.81	198.7	19.97
	12	102.1	10.98	121.5	13.45	141.5	15.84	151.2	17.02	160.9	18.36	180.9	20.88	196.0	21.08
	14	102.1	11.31	121.5	13.99	141.5	16.51	151.2	17.75	160.9	19.16	180.9	22.04	193.9	22.25
	16	102.1	11.65	121.5	14.44	141.5	17.21	151.2	18.58	160.9	20.19	180.9	23.11	191.2	23.44
	18	102.1	12.00	121.5	14.98	141.5	17.88	151.2	19.49	160.9	21.40	180.9	24.41	188.5	24.62
	20	102.1	12.43	121.5	15.55	141.5	18.93	151.2	20.89	160.9	22.90	180.9	25.58	185.8	25.80
	21	102.1	12.70	121.5	15.92	141.5	19.57	151.2	21.61	160.9	23.76	180.9	26.17	184.7	26.37
	23	102.1	13.45	121.5	17.02	141.5	21.02	151.2	23.17	160.9	25.45	178.4	27.41	182.3	27.62
	25	102.1	14.28	121.5	18.15	141.5	22.44	151.2	24.80	160.9	27.22	175.8	28.57	179.3	28.80
	27	102.1	15.27	121.5	19.38	141.5	24.02	151.2	26.50	160.9	28.94	173.1	29.91	177.1	30.15
	29	102.1	16.24	121.5	20.70	141.5	25.64	151.2	28.32	160.9	30.63	170.6	31.12	174.4	31.36
	31	102.1	17.37	121.5	22.06	141.5	27.33	151.2	30.20	160.9	32.19	168.0	32.32	171.7	32.59
	33	102.1	18.39	121.5	23.49	141.5	29.18	151.2	32.24	160.9	33.39	165.5	33.53	169.0	33.80
	35	102.1	19.57	121.5	24.99	141.5	31.06	151.2	34.39	158.5	34.60	162.8	34.74	166.3	35.01
	37	102.1	20.35	121.5	26.02	141.5	31.95	151.2	34.98	155.8	35.14	160.4	35.30	164.2	35.62
	39	102.1	21.13	121.5	27.06	141.5	32.78	151.2	35.55	153.3	35.71	157.7	35.84	161.5	36.17

Notes:

1. TC: Total Capacity(kW) PI : Power Input(kW)(Comp. + Outdoor fan motor)
2. Capacity tables show the average value of conditions which may occur.

7. Capacity Tables

Cooling Capacity(54HP)

Combination (%)	Outdoor air temp °C DB	Indoor air temp. (DB/WB, °C)													
		20		23		26		27		28		30		32	
		14		16		18		19		20		22		24	
		TC	PI	TC	PI	TC	PI	TC	PI	TC	PI	TC	PI	TC	PI
90	10	91.8	9.47	109.6	11.48	127.4	13.58	136.1	14.68	144.7	15.77	162.5	17.59	180.4	18.17
	12	91.8	9.72	109.6	11.86	127.4	14.00	136.1	15.05	144.7	16.23	162.5	18.37	180.4	18.99
	14	91.8	10.00	109.6	12.28	127.4	14.51	136.1	15.60	144.7	16.85	162.5	19.26	180.4	19.89
	16	91.8	10.26	109.6	12.66	127.4	15.06	136.1	16.25	144.7	17.60	162.5	19.76	180.4	20.75
	18	91.8	10.55	109.6	13.07	127.4	15.50	136.1	16.80	144.7	18.04	162.5	20.20	180.4	21.81
	20	91.8	10.87	109.6	13.37	127.4	15.81	136.1	17.11	144.7	18.72	162.5	21.62	180.4	22.84
	21	91.8	11.08	109.6	13.50	127.4	16.12	136.1	17.68	144.7	19.42	162.5	22.41	180.4	23.37
	23	91.8	11.37	109.6	14.07	127.4	17.24	136.1	18.98	144.7	20.77	162.5	23.90	177.9	24.47
	25	91.8	11.94	109.6	14.98	127.4	18.41	136.1	20.28	144.7	22.20	162.5	25.08	175.3	25.51
	27	91.8	12.75	109.6	15.99	127.4	19.65	136.1	21.65	144.7	23.76	162.5	26.35	172.8	26.72
	29	91.8	13.50	109.6	17.05	127.4	21.03	136.1	23.13	144.7	25.39	162.5	27.59	170.1	27.80
	31	91.8	14.38	109.6	18.17	127.4	22.40	136.1	24.64	144.7	27.05	162.5	28.67	167.7	28.86
	33	91.8	15.29	109.6	19.34	127.4	23.89	136.1	26.25	144.7	28.71	162.5	29.74	165.0	29.94
	35	91.8	16.23	109.6	20.53	127.4	25.39	136.1	27.99	144.7	30.21	159.8	30.80	162.5	31.02
	37	91.8	17.24	109.6	21.83	127.4	27.05	136.1	29.73	144.7	30.98	157.1	31.44	159.9	31.68
	39	91.8	18.25	109.6	23.23	127.4	28.58	136.1	31.06	144.7	31.72	154.7	32.08	157.4	32.32
80	10	81.5	9.39	97.2	11.38	112.9	13.45	121.0	14.54	129.1	15.61	144.7	17.48	160.4	17.94
	12	81.5	9.65	97.2	11.67	112.9	13.79	121.0	14.86	129.1	15.93	144.7	18.20	160.4	18.77
	14	81.5	9.92	97.2	11.93	112.9	14.00	121.0	15.12	129.1	16.19	144.7	18.54	160.4	19.66
	16	81.5	10.06	97.2	12.14	112.9	14.26	121.0	15.40	129.1	16.53	144.7	18.93	160.4	20.53
	18	81.5	10.26	97.2	12.33	112.9	14.54	121.0	15.67	129.1	16.87	144.7	19.27	160.4	20.99
	20	81.5	10.47	97.2	12.59	112.9	14.86	121.0	16.00	129.1	17.20	144.7	20.00	160.4	22.46
	21	81.5	10.52	97.2	12.74	112.9	14.99	121.0	16.19	129.1	17.60	144.7	20.63	160.4	23.15
	23	81.5	10.73	97.2	12.93	112.9	15.67	121.0	17.20	129.1	18.80	144.7	21.78	160.4	24.38
	25	81.5	11.12	97.2	13.79	112.9	16.79	121.0	18.40	129.1	20.13	144.7	23.31	160.4	25.51
	27	81.5	11.80	97.2	14.67	112.9	17.94	121.0	19.66	129.1	21.46	144.7	24.78	160.4	26.72
	29	81.5	12.53	97.2	15.67	112.9	19.06	121.0	20.94	129.1	22.93	144.7	26.53	160.4	27.80
	31	81.5	13.34	97.2	16.60	112.9	20.34	121.0	22.33	129.1	24.39	144.7	28.15	160.4	28.86
	33	81.5	14.13	97.2	17.73	112.9	21.67	121.0	23.79	129.1	26.00	144.7	29.44	160.4	29.94
	35	81.5	14.99	97.2	18.80	112.9	23.06	121.0	25.33	129.1	27.73	144.7	30.66	158.7	31.02
	37	81.5	15.87	97.2	19.98	112.9	24.46	121.0	26.92	129.1	29.45	144.7	31.44	156.1	31.68
	39	81.5	16.76	97.2	21.12	112.9	25.90	121.0	28.38	129.1	31.30	144.7	32.08	153.6	32.32
70	10	71.3	8.61	85.3	10.24	98.8	11.87	105.8	12.81	112.9	13.70	126.4	15.60	140.4	17.46
	12	71.3	8.74	85.3	10.37	98.8	12.13	105.8	13.02	112.9	13.97	126.4	15.88	140.4	17.77
	14	71.3	8.88	85.3	10.50	98.8	12.34	105.8	13.23	112.9	14.18	126.4	16.20	140.4	18.09
	16	71.3	9.03	85.3	10.71	98.8	12.55	105.8	13.50	112.9	14.44	126.4	16.49	140.4	18.49
	18	71.3	9.16	85.3	10.92	98.8	12.81	105.8	13.76	112.9	14.73	126.4	16.75	140.4	18.82
	20	71.3	9.29	85.3	11.13	98.8	13.02	105.8	14.04	112.9	15.07	126.4	17.17	140.4	19.53
	21	71.3	9.43	85.3	11.19	98.8	13.15	105.8	14.18	112.9	15.20	126.4	17.43	140.4	20.16
	23	71.3	9.56	85.3	11.47	98.8	13.44	105.8	14.65	112.9	15.94	126.4	18.64	140.4	21.27
	25	71.3	9.69	85.3	11.87	98.8	14.31	105.8	15.67	112.9	17.02	126.4	19.95	140.4	22.76
	27	71.3	10.24	85.3	12.68	98.8	15.26	105.8	16.62	112.9	18.17	126.4	21.29	140.4	24.20
	29	71.3	10.92	85.3	13.44	98.8	16.20	105.8	17.70	112.9	19.32	126.4	22.71	140.4	25.91
	31	71.3	11.60	85.3	14.31	98.8	17.30	105.8	18.93	112.9	20.61	126.4	24.21	140.4	27.51
	33	71.3	12.28	85.3	15.12	98.8	18.38	105.8	20.08	112.9	21.90	126.4	25.78	140.4	28.98
	35	71.3	12.95	85.3	16.15	98.8	19.53	105.8	21.37	112.9	23.34	126.4	27.46	140.4	30.74
	37	71.3	13.76	85.3	17.09	98.8	20.76	105.8	22.71	112.9	24.83	126.4	29.22	140.4	31.63
	39	71.3	14.47	85.3	18.06	98.8	21.97	105.8	23.97	112.9	26.28	126.4	30.98	140.4	32.32
60	10	61.0	7.60	72.9	8.90	84.8	10.35	90.7	11.11	96.7	11.80	108.5	13.38	120.4	14.97
	12	61.0	7.73	72.9	9.03	84.8	10.48	90.7	11.24	96.7	12.01	108.5	13.59	120.4	15.25
	14	61.0	7.79	72.9	9.18	84.8	10.69	90.7	11.46	96.7	12.22	108.5	13.86	120.4	15.52
	16	61.0	7.94	72.9	9.37	84.8	10.82	90.7	11.67	96.7	12.49	108.5	14.15	120.4	15.81
	18	61.0	8.08	72.9	9.53	84.8	11.03	90.7	11.88	96.7	12.70	108.5	14.36	120.4	16.15
	20	61.0	8.21	72.9	9.66	84.8	11.24	90.7	12.07	96.7	12.91	108.5	14.62	120.4	16.50
	21	61.0	8.29	72.9	9.74	84.8	11.38	90.7	12.22	96.7	13.04	108.5	14.83	120.4	16.63
	23	61.0	8.42	72.9	9.93	84.8	11.53	90.7	12.43	96.7	13.31	108.5	15.39	120.4	17.66
	25	61.0	8.55	72.9	10.14	84.8	12.01	90.7	13.04	96.7	14.15	108.5	16.42	120.4	18.90
	27	61.0	8.84	72.9	10.69	84.8	12.77	90.7	13.86	96.7	15.04	108.5	17.45	120.4	20.14
	29	61.0	9.37	72.9	11.38	84.8	13.59	90.7	14.76	96.7	16.00	108.5	18.63	120.4	21.54
	31	61.0	9.93	72.9	12.07	84.8	14.41	90.7	15.73	96.7	17.05	108.5	19.87	120.4	22.91
	33	61.0	10.48	72.9	12.77	84.8	15.31	90.7	16.71	96.7	18.14	108.5	21.12	120.4	24.42
	35	61.0	11.11	72.9	13.59	84.8	16.29	90.7	17.74	96.7	19.24	108.5	22.49	120.4	25.95
	37	61.0	11.72	72.9	14.34	84.8	17.24	90.7	18.84	96.7	20.43	108.5	23.86	120.4	27.61
	39	61.0	12.35	72.9	15.12	84.8	18.26	90.7	20.01	96.7	21.54	108.5	25.34	120.4	29.27

Notes:
 1. TC: Total Capacity(kW) PI : Power Input(kW)(Comp. + Outdoor fan motor)
 2. Capacity tables show the average value of conditions which may occur.

7. Capacity Tables

Cooling Capacity(54HP)

Combination (%)	Outdoor air temp °C DB	Indoor air temp. (DB/WB, °C)													
		20		23		26		27		28		30		32	
		14		16		18		19		20		22		24	
		TC	PI	TC	PI	TC	PI	TC	PI	TC	PI	TC	PI	TC	PI
50	10	51.0	6.66	61.0	7.72	70.7	8.78	75.6	9.40	80.5	9.97	90.2	11.22	100.4	12.50
	12	51.0	6.74	61.0	7.80	70.7	8.91	75.6	9.55	80.5	10.17	90.2	11.44	100.4	12.71
	14	51.0	6.82	61.0	7.93	70.7	9.05	75.6	9.68	80.5	10.32	90.2	11.57	100.4	12.92
	16	51.0	6.95	61.0	8.07	70.7	9.18	75.6	9.90	80.5	10.45	90.2	11.78	100.4	13.13
	18	51.0	7.01	61.0	8.14	70.7	9.34	75.6	10.03	80.5	10.67	90.2	11.99	100.4	13.40
	20	51.0	7.09	61.0	8.28	70.7	9.55	75.6	10.17	80.5	10.88	90.2	12.21	100.4	13.69
	21	51.0	7.16	61.0	8.36	70.7	9.61	75.6	10.32	80.5	10.96	90.2	12.34	100.4	13.82
	23	51.0	7.30	61.0	8.49	70.7	9.76	75.6	10.45	80.5	11.15	90.2	12.55	100.4	14.11
	25	51.0	7.37	61.0	8.63	70.7	9.97	75.6	10.67	80.5	11.51	90.2	13.19	100.4	15.09
	27	51.0	7.51	61.0	8.91	70.7	10.53	75.6	11.36	80.5	12.21	90.2	14.11	100.4	16.08
	29	51.0	7.93	61.0	9.47	70.7	11.15	75.6	12.07	80.5	12.98	90.2	14.94	100.4	17.06
	31	51.0	8.36	61.0	10.03	70.7	11.86	75.6	12.76	80.5	13.82	90.2	15.92	100.4	18.17
	33	51.0	8.84	61.0	10.59	70.7	12.55	75.6	13.53	80.5	14.67	90.2	16.90	100.4	19.37
	35	51.0	9.34	61.0	11.22	70.7	13.27	75.6	14.38	80.5	15.50	90.2	17.89	100.4	20.56
	37	51.0	9.90	61.0	11.86	70.7	14.04	75.6	15.23	80.5	16.42	90.2	19.08	100.4	21.81
	39	51.0	10.35	61.0	12.47	70.7	14.89	75.6	16.08	80.5	17.27	90.2	20.14	100.4	23.11

Notes:

1. TC: Total Capacity(kW) PI : Power Input(kW)(Comp. + Outdoor fan motor)
2. Capacity tables show the average value of conditions which may occur.

7. Capacity Tables

ARUB560LTE4

Cooling Capacity(56HP)

Combination (%)	Outdoor air temp °C DB	Indoor air temp. (DB/WB, °C)													
		20		23		26		27		28		30		32	
		14		16		18		19		20		22		24	
		TC	PI	TC	PI	TC	PI	TC	PI	TC	PI	TC	PI	TC	PI
130	10	143.4	14.22	170.8	17.36	198.2	20.15	205.8	20.55	208.0	20.78	213.3	20.88	218.6	21.01
	12	143.4	14.57	170.8	18.00	198.2	20.98	202.7	21.11	206.3	21.51	210.3	21.74	215.6	21.83
	14	143.4	15.04	170.8	18.64	197.6	21.77	200.5	21.92	202.7	22.30	208.0	22.50	213.3	22.68
	16	143.4	15.59	170.8	19.30	195.2	22.73	197.6	22.96	199.9	23.11	205.2	23.34	210.3	23.54
	18	143.4	16.26	170.8	20.41	192.3	23.97	194.6	24.16	197.6	24.30	202.7	24.42	208.0	24.56
	20	143.4	16.98	170.8	21.74	189.3	25.11	192.7	25.34	194.6	25.49	199.9	25.61	205.2	25.77
	21	143.4	17.42	170.8	22.50	188.2	25.69	191.2	25.95	193.5	26.07	198.8	26.21	204.1	26.36
	23	143.4	18.69	170.8	24.15	185.9	26.79	188.2	27.05	191.0	27.26	195.7	27.40	201.0	27.57
	25	143.4	19.97	170.8	25.81	183.1	27.98	185.9	28.25	188.2	28.45	193.5	28.59	198.8	28.77
	27	143.4	21.36	170.8	27.58	180.6	29.20	183.1	29.41	185.9	29.64	191.0	29.78	195.7	29.96
	29	143.4	22.76	170.8	29.49	177.8	30.40	180.3	30.60	183.1	30.83	188.2	30.97	193.5	31.15
	31	143.4	24.27	170.2	31.06	174.7	31.61	177.8	31.82	180.3	31.99	185.3	32.16	190.6	32.36
	33	143.4	25.87	167.2	32.25	172.5	32.81	175.3	33.03	177.8	33.18	183.1	33.36	187.6	33.56
	35	143.4	27.58	164.3	33.44	169.6	34.02	172.5	34.23	175.3	34.37	180.0	34.55	185.3	34.75
	37	143.4	28.56	162.1	34.08	167.2	34.69	169.6	34.96	172.5	35.10	177.2	35.21	182.5	35.47
	39	143.4	29.53	159.1	34.75	164.3	35.39	167.2	35.65	169.6	35.76	174.7	35.88	180.0	36.14
120	10	132.7	12.78	157.6	15.68	183.4	18.63	196.3	20.12	205.5	20.44	210.3	20.53	215.0	20.61
	12	132.7	13.12	157.6	16.20	183.4	19.37	196.3	20.55	202.7	21.20	207.2	21.46	212.0	21.54
	14	132.7	13.58	157.6	16.75	183.4	20.15	196.3	21.34	199.7	21.98	205.0	22.30	209.7	22.50
	16	132.7	14.08	157.6	17.44	183.4	20.93	195.1	22.47	197.4	22.99	202.1	23.10	206.7	23.34
	18	132.7	14.63	157.6	18.23	183.4	22.21	192.1	23.74	194.6	24.18	199.1	24.27	204.4	24.38
	20	132.7	15.18	157.6	19.33	183.4	23.66	189.8	25.11	192.1	25.37	196.8	25.46	201.6	25.57
	21	132.7	15.64	157.6	20.03	183.4	24.50	188.1	25.69	190.4	25.95	195.7	26.04	200.2	26.16
	23	132.7	16.72	157.6	21.42	183.4	26.13	185.7	26.82	188.1	27.14	192.7	27.23	197.4	27.35
	25	132.7	17.86	157.6	22.96	180.6	27.55	182.8	28.04	185.1	28.30	190.4	28.42	195.1	28.54
	27	132.7	19.07	157.6	24.53	178.1	28.94	180.6	29.18	182.8	29.49	187.6	29.61	192.1	29.73
	29	132.7	20.35	157.6	26.19	175.3	30.16	177.5	30.39	179.8	30.66	184.5	30.80	189.8	30.91
	31	132.7	21.68	157.6	27.96	172.2	31.41	175.3	31.53	177.5	31.85	182.3	31.96	186.8	32.10
	33	132.7	23.08	157.6	29.81	170.0	32.54	172.2	32.74	174.7	33.03	179.2	33.15	184.0	33.29
	35	132.7	24.53	157.6	31.79	167.1	33.82	169.4	33.94	172.2	34.20	177.0	34.34	181.7	34.48
	37	132.7	25.63	157.6	32.57	164.6	34.40	167.1	34.61	169.4	34.75	174.1	34.96	178.7	35.06
	39	132.7	26.71	157.1	33.33	161.8	34.98	164.1	35.24	166.3	35.33	171.7	35.56	176.4	35.65
110	10	121.3	11.50	144.7	14.02	168.0	16.64	179.7	18.03	191.3	19.39	205.8	20.18	210.6	20.26
	12	121.3	11.87	144.7	14.49	168.0	17.33	179.7	18.52	191.3	20.12	203.6	20.96	207.7	21.25
	14	121.3	12.22	144.7	15.15	168.0	18.12	179.7	19.45	191.3	21.13	200.7	21.74	205.3	22.20
	16	121.3	12.66	144.7	15.70	168.0	18.87	179.7	20.29	191.3	22.41	198.3	22.96	202.4	23.11
	18	121.3	13.12	144.7	16.34	168.0	19.97	179.7	21.63	191.3	23.74	195.4	24.13	200.2	24.24
	20	121.3	13.61	144.7	17.16	168.0	21.16	179.7	23.05	188.4	25.05	193.2	25.31	197.1	25.40
	21	121.3	13.90	144.7	17.68	168.0	21.92	179.7	23.89	187.3	25.61	191.3	25.90	196.0	26.01
	23	121.3	14.81	144.7	18.95	168.0	23.52	179.7	25.34	184.3	26.82	189.0	27.08	193.2	27.17
	25	121.3	15.82	144.7	20.21	168.0	25.17	179.7	26.83	182.0	27.96	186.2	28.25	190.7	28.36
	27	121.3	16.90	144.7	21.62	168.0	26.94	176.7	28.31	179.2	29.29	183.7	29.43	187.9	29.55
	29	121.3	18.06	144.7	23.08	168.0	28.74	174.4	29.52	176.7	30.46	180.9	30.60	185.4	30.72
	31	121.3	19.19	144.7	24.59	168.0	30.71	171.4	30.83	173.9	31.64	178.4	31.79	182.6	31.90
	33	121.3	20.47	144.7	26.19	166.9	32.42	169.1	32.22	171.4	32.83	175.6	32.95	180.3	33.09
	35	121.3	21.74	144.7	27.96	163.8	33.56	166.3	33.70	168.6	34.00	172.7	34.14	177.3	34.28
	37	121.3	22.59	144.7	28.82	161.6	34.16	163.8	34.20	165.7	34.51	170.3	34.72	174.4	34.81
	39	121.3	23.46	144.7	29.67	158.7	34.69	161.0	34.77	163.3	35.04	167.4	35.24	172.2	35.33
100	10	105.8	11.29	126.0	13.72	146.7	16.28	156.8	17.59	166.9	18.90	187.6	21.04	206.1	21.21
	12	105.8	11.66	126.0	14.28	146.7	16.82	156.8	18.07	166.9	19.50	187.6	22.18	203.3	22.38
	14	105.8	12.01	126.0	14.85	146.7	17.53	156.8	18.84	166.9	20.35	187.6	23.41	201.0	23.63
	16	105.8	12.38	126.0	15.34	146.7	18.28	156.8	19.73	166.9	21.44	187.6	24.54	198.2	24.89
	18	105.8	12.74	126.0	15.91	146.7	18.99	156.8	20.70	166.9	22.72	187.6	25.92	195.4	26.14
	20	105.8	13.20	126.0	16.51	146.7	20.10	156.8	22.18	166.9	24.32	187.6	27.17	192.6	27.39
	21	105.8	13.48	126.0	16.91	146.7	20.78	156.8	22.95	166.9	25.23	187.6	27.79	191.5	28.00
	23	105.8	14.28	126.0	18.08	146.7	22.32	156.8	24.60	166.9	27.03	185.0	29.10	189.0	29.33
	25	105.8	15.17	126.0	19.27	146.7	23.83	156.8	26.34	166.9	28.90	182.3	30.34	185.9	30.59
	27	105.8	16.22	126.0	20.58	146.7	25.51	156.8	28.14	166.9	30.73	179.5	31.76	183.7	32.02
	29	105.8	17.25	126.0	21.98	146.7	27.23	156.8	30.08	166.9	32.53	177.0	33.04	180.9	33.30
	31	105.8	18.44	126.0	23.43	146.7	29.03	156.8	32.08	166.9	34.18	174.2	34.32	178.1	34.61
	33	105.8	19.53	126.0	24.95	146.7	30.99	156.8	34.24	166.9	35.46	171.6	35.61	175.3	35.89
	35	105.8	20.78	126.0	26.54	146.7	32.99	156.8	36.52	164.4	36.75	168.9	36.89	172.5	37.18
	37	105.8	21.61	126.0	27.63	146.7	33.93	156.8	37.15	161.6	37.32	166.3	37.49	170.2	37.83
	39	105.8	22.44	126.0	28.74	146.7	34.81	156.8	37.75	159.0	37.92	163.5	38.06	167.4	38.41

Notes:

1. TC: Total Capacity(kW) PI : Power Input(kW)(Comp. + Outdoor fan motor)
2. Capacity tables show the average value of conditions which may occur.

7. Capacity Tables

Cooling Capacity(56HP)

Combination (%)	Outdoor air temp °C DB	Indoor air temp. (DB/WB, °C)													
		20		23		26		27		28		30		32	
		14		16		18		19		20		22		24	
		TC	PI	TC	PI	TC	PI	TC	PI	TC	PI	TC	PI	TC	PI
90	10	95.2	10.14	113.7	12.29	132.2	14.53	141.1	15.70	150.1	16.87	168.6	18.82	187.0	19.45
	12	95.2	10.40	113.7	12.68	132.2	14.96	141.1	16.09	150.1	17.36	168.6	19.63	187.0	20.39
	14	95.2	10.69	113.7	13.12	132.2	15.50	141.1	16.67	150.1	17.99	168.6	20.54	187.0	21.31
	16	95.2	10.97	113.7	13.51	132.2	16.07	141.1	17.34	150.1	18.77	168.6	21.07	187.0	22.20
	18	95.2	11.26	113.7	13.94	132.2	16.52	141.1	17.91	150.1	19.24	168.6	21.54	187.0	23.33
	20	95.2	11.60	113.7	14.26	132.2	16.85	141.1	18.24	150.1	19.96	168.6	23.05	187.0	24.43
	21	95.2	11.81	113.7	14.39	132.2	17.19	141.1	18.85	150.1	20.70	168.6	23.89	187.0	25.00
	23	95.2	12.13	113.7	15.00	132.2	18.38	141.1	20.23	150.1	22.15	168.6	25.49	184.5	26.18
	25	95.2	12.73	113.7	15.97	132.2	19.63	141.1	21.62	150.1	23.67	168.6	26.78	181.7	27.29
	27	95.2	13.59	113.7	17.05	132.2	20.96	141.1	23.08	150.1	25.33	168.6	28.16	179.2	28.58
	29	95.2	14.39	113.7	18.18	132.2	22.42	141.1	24.67	150.1	27.07	168.6	29.52	176.4	29.74
	31	95.2	15.33	113.7	19.37	132.2	23.88	141.1	26.27	150.1	28.84	168.6	30.68	173.9	30.87
	33	95.2	16.31	113.7	20.62	132.2	25.47	141.1	27.99	150.1	30.61	168.6	31.82	171.1	32.03
	35	95.2	17.30	113.7	21.89	132.2	27.07	141.1	29.84	150.1	32.22	165.7	32.96	168.5	33.19
	37	95.2	18.38	113.7	23.28	132.2	28.85	141.1	31.70	150.1	33.10	163.0	33.68	165.8	33.92
	39	95.2	19.46	113.7	24.77	132.2	30.47	141.1	33.13	150.1	33.95	160.4	34.39	163.2	34.64
80	10	84.6	9.94	100.8	12.04	117.0	14.22	125.4	15.38	133.8	16.51	150.1	18.51	166.3	19.05
	12	84.6	10.22	100.8	12.34	117.0	14.58	125.4	15.71	133.8	16.84	150.1	19.24	166.3	19.91
	14	84.6	10.50	100.8	12.62	117.0	14.80	125.4	15.99	133.8	17.12	150.1	19.60	166.3	20.82
	16	84.6	10.63	100.8	12.84	117.0	15.08	125.4	16.29	133.8	17.48	150.1	20.02	166.3	21.71
	18	84.6	10.85	100.8	13.03	117.0	15.38	125.4	16.57	133.8	17.84	150.1	20.38	166.3	22.20
	20	84.6	11.07	100.8	13.31	117.0	15.71	125.4	16.92	133.8	18.19	150.1	21.15	166.3	23.75
	21	84.6	11.13	100.8	13.47	117.0	15.85	125.4	17.12	133.8	18.61	150.1	21.81	166.3	24.49
	23	84.6	11.35	100.8	13.67	117.0	16.57	125.4	18.19	133.8	19.88	150.1	23.03	166.3	25.82
	25	84.6	11.77	100.8	14.58	117.0	17.76	125.4	19.46	133.8	21.29	150.1	24.65	166.3	27.10
	27	84.6	12.48	100.8	15.51	117.0	18.97	125.4	20.79	133.8	22.70	150.1	26.20	166.3	28.51
	29	84.6	13.25	100.8	16.57	117.0	20.16	125.4	22.14	133.8	24.24	150.1	28.06	166.3	29.74
	31	84.6	14.11	100.8	17.56	117.0	21.51	125.4	23.61	133.8	25.79	150.1	29.77	166.3	30.87
	33	84.6	14.94	100.8	18.75	117.0	22.92	125.4	25.16	133.8	27.50	150.1	31.15	166.3	32.03
	35	84.6	15.85	100.8	19.88	117.0	24.38	125.4	26.78	133.8	29.32	150.1	32.47	164.6	33.19
	37	84.6	16.78	100.8	21.13	117.0	25.87	125.4	28.47	133.8	31.15	150.1	33.36	161.9	33.92
	39	84.6	17.73	100.8	22.34	117.0	27.39	125.4	30.01	133.8	33.10	150.1	34.18	159.3	34.64
70	10	73.9	9.04	88.5	10.74	102.5	12.45	109.8	13.44	117.0	14.38	131.0	16.36	145.6	18.31
	12	73.9	9.17	88.5	10.88	102.5	12.73	109.8	13.66	117.0	14.66	131.0	16.66	145.6	18.65
	14	73.9	9.31	88.5	11.02	102.5	12.95	109.8	13.88	117.0	14.87	131.0	17.00	145.6	18.98
	16	73.9	9.47	88.5	11.24	102.5	13.17	109.8	14.16	117.0	15.15	131.0	17.30	145.6	19.39
	18	73.9	9.61	88.5	11.46	102.5	13.44	109.8	14.44	117.0	15.45	131.0	17.57	145.6	19.75
	20	73.9	9.75	88.5	11.68	102.5	13.66	109.8	14.73	117.0	15.81	131.0	18.01	145.6	20.49
	21	73.9	9.89	88.5	11.74	102.5	13.80	109.8	14.87	117.0	15.95	131.0	18.29	145.6	21.15
	23	73.9	10.03	88.5	12.03	102.5	14.10	109.8	15.37	117.0	16.72	131.0	19.56	145.6	22.31
	25	73.9	10.17	88.5	12.45	102.5	15.01	109.8	16.44	117.0	17.85	131.0	20.93	145.6	23.88
	27	73.9	10.74	88.5	13.31	102.5	16.01	109.8	17.44	117.0	19.06	131.0	22.34	145.6	25.39
	29	73.9	11.46	88.5	14.10	102.5	17.00	109.8	18.57	117.0	20.28	131.0	23.83	145.6	27.19
	31	73.9	12.17	88.5	15.01	102.5	18.15	109.8	19.86	117.0	21.63	131.0	25.40	145.6	28.87
	33	73.9	12.89	88.5	15.87	102.5	19.28	109.8	21.07	117.0	22.98	131.0	27.05	145.6	30.41
	35	73.9	13.58	88.5	16.94	102.5	20.49	109.8	22.42	117.0	24.49	131.0	28.81	145.6	32.25
	37	73.9	14.44	88.5	17.93	102.5	21.78	109.8	23.83	117.0	26.05	131.0	30.66	145.6	33.22
	39	73.9	15.18	88.5	18.95	102.5	23.05	109.8	25.15	117.0	27.58	131.0	32.50	145.6	34.03
60	10	63.3	7.91	75.6	9.26	87.9	10.77	94.1	11.57	100.2	12.28	112.6	13.93	124.9	15.58
	12	63.3	8.05	75.6	9.40	87.9	10.91	94.1	11.71	100.2	12.50	112.6	14.15	124.9	15.88
	14	63.3	8.11	75.6	9.56	87.9	11.13	94.1	11.93	100.2	12.72	112.6	14.43	124.9	16.16
	16	63.3	8.27	75.6	9.76	87.9	11.27	94.1	12.14	100.2	13.00	112.6	14.73	124.9	16.46
	18	63.3	8.41	75.6	9.92	87.9	11.49	94.1	12.36	100.2	13.22	112.6	14.95	124.9	16.82
	20	63.3	8.55	75.6	10.06	87.9	11.71	94.1	12.56	100.2	13.44	112.6	15.23	124.9	17.17
	21	63.3	8.63	75.6	10.14	87.9	11.85	94.1	12.72	100.2	13.58	112.6	15.44	124.9	17.31
	23	63.3	8.77	75.6	10.34	87.9	12.01	94.1	12.94	100.2	13.85	112.6	16.02	124.9	18.39
	25	63.3	8.90	75.6	10.55	87.9	12.50	94.1	13.58	100.2	14.73	112.6	17.09	124.9	19.68
	27	63.3	9.20	75.6	11.13	87.9	13.30	94.1	14.43	100.2	15.66	112.6	18.17	124.9	20.97
	29	63.3	9.76	75.6	11.85	87.9	14.15	94.1	15.36	100.2	16.66	112.6	19.40	124.9	22.42
	31	63.3	10.34	75.6	12.56	87.9	15.01	94.1	16.38	100.2	17.75	112.6	20.69	124.9	23.85
	33	63.3	10.91	75.6	13.30	87.9	15.94	94.1	17.39	100.2	18.88	112.6	21.98	124.9	25.42
	35	63.3	11.57	75.6	14.15	87.9	16.95	94.1	18.47	100.2	20.04	112.6	23.41	124.9	27.01
	37	63.3	12.20	75.6	14.93	87.9	17.95	94.1	19.62	100.2	21.27	112.6	24.85	124.9	28.74
	39	63.3	12.86	75.6	15.75	87.9	19.01	94.1	20.83	100.2	22.43	112.6	26.38	124.9	30.48

Notes:

1. TC: Total Capacity(kW) PI : Power Input(kW)(Comp. + Outdoor fan motor)
2. Capacity tables show the average value of conditions which may occur.

7. Capacity Tables

Cooling Capacity(56HP)

Combination (%)	Outdoor air temp °C DB	Indoor air temp. (DB/WB, °C)													
		20		23		26		27		28		30		32	
		14		16		18		19		20		22		24	
		TC	PI	TC	PI	TC	PI	TC	PI	TC	PI	TC	PI	TC	PI
50	10	52.9	6.88	63.3	7.98	73.4	9.07	78.4	9.71	83.4	10.31	93.5	11.60	104.2	12.91
	12	52.9	6.96	63.3	8.06	73.4	9.21	78.4	9.87	83.4	10.50	93.5	11.82	104.2	13.13
	14	52.9	7.04	63.3	8.20	73.4	9.35	78.4	10.01	83.4	10.66	93.5	11.96	104.2	13.35
	16	52.9	7.18	63.3	8.34	73.4	9.49	78.4	10.23	83.4	10.80	93.5	12.18	104.2	13.57
	18	52.9	7.24	63.3	8.42	73.4	9.65	78.4	10.36	83.4	11.02	93.5	12.39	104.2	13.85
	20	52.9	7.32	63.3	8.55	73.4	9.87	78.4	10.50	83.4	11.24	93.5	12.61	104.2	14.14
	21	52.9	7.40	63.3	8.63	73.4	9.93	78.4	10.66	83.4	11.32	93.5	12.75	104.2	14.28
	23	52.9	7.54	63.3	8.77	73.4	10.09	78.4	10.80	83.4	11.52	93.5	12.97	104.2	14.58
	25	52.9	7.62	63.3	8.91	73.4	10.31	78.4	11.02	83.4	11.90	93.5	13.63	104.2	15.60
	27	52.9	7.76	63.3	9.21	73.4	10.88	78.4	11.74	83.4	12.61	93.5	14.58	104.2	16.61
	29	52.9	8.20	63.3	9.79	73.4	11.52	78.4	12.47	83.4	13.41	93.5	15.44	104.2	17.63
	31	52.9	8.63	63.3	10.36	73.4	12.25	78.4	13.19	83.4	14.28	93.5	16.45	104.2	18.78
	33	52.9	9.13	63.3	10.94	73.4	12.97	78.4	13.99	83.4	15.16	93.5	17.47	104.2	20.01
	35	52.9	9.65	63.3	11.60	73.4	13.71	78.4	14.86	83.4	16.01	93.5	18.48	104.2	21.25
	37	52.9	10.23	63.3	12.25	73.4	14.50	78.4	15.74	83.4	16.97	93.5	19.71	104.2	22.54
	39	52.9	10.69	63.3	12.88	73.4	15.38	78.4	16.61	83.4	17.85	93.5	20.81	104.2	23.88

Notes:

1. TC: Total Capacity(kW) PI : Power Input(kW)(Comp. + Outdoor fan motor)
2. Capacity tables show the average value of conditions which may occur.

7. Capacity Tables

ARUB580LTE4

Cooling Capacity(58HP)

Combination (%)	Outdoor air temp °C DB	Indoor air temp. (DB/WB, °C)													
		20		23		26		27		28		30		32	
		14		16		18		19		20		22		24	
		TC	PI	TC	PI	TC	PI	TC	PI	TC	PI	TC	PI	TC	PI
130	10	148.5	13.98	176.9	17.07	205.3	19.80	213.1	20.20	215.5	20.43	221.0	20.52	226.4	20.66
	12	148.5	14.32	176.9	17.69	205.3	20.63	210.0	20.75	213.7	21.15	217.8	21.37	223.3	21.46
	14	148.5	14.79	176.9	18.32	204.7	21.40	207.6	21.55	210.0	21.92	215.5	22.12	221.0	22.29
	16	148.5	15.33	176.9	18.97	202.2	22.35	204.7	22.57	207.0	22.72	212.5	22.94	217.8	23.14
	18	148.5	15.98	176.9	20.06	199.2	23.57	201.6	23.74	204.7	23.89	210.0	24.00	215.5	24.14
	20	148.5	16.69	176.9	21.37	196.1	24.68	199.5	24.91	201.6	25.05	207.0	25.17	212.5	25.34
	21	148.5	17.12	176.9	22.12	194.9	25.25	198.0	25.51	200.4	25.63	205.9	25.77	212.5	25.91
	23	148.5	18.38	176.9	23.74	192.5	26.33	194.9	26.59	197.8	26.80	202.7	26.94	208.2	27.10
	25	148.5	19.63	176.9	25.37	189.6	27.51	192.6	27.77	194.9	27.96	200.4	28.11	205.9	28.28
	27	148.5	21.00	176.9	27.11	187.1	28.70	189.6	28.90	192.6	29.13	197.8	29.28	202.7	29.45
	29	148.5	22.37	176.9	28.99	184.1	29.88	186.8	30.08	189.6	30.30	194.9	30.45	200.4	30.62
	31	148.5	23.86	176.3	30.53	181.0	31.07	184.1	31.28	186.8	31.45	192.0	31.62	197.4	31.81
	33	148.5	25.43	173.2	31.70	178.6	32.25	181.5	32.47	184.1	32.62	189.6	32.79	194.3	32.99
	35	148.5	27.11	170.2	32.87	175.7	33.44	178.6	33.65	181.5	33.79	186.5	33.96	192.0	34.16
	37	148.5	28.08	167.9	33.50	173.2	34.10	175.7	34.36	178.6	34.50	183.5	34.61	189.0	34.87
	39	148.5	29.02	164.7	34.16	170.2	34.78	173.2	35.04	175.7	35.16	181.0	35.27	186.5	35.53
120	10	137.4	12.56	163.3	15.41	189.9	18.32	203.3	19.78	212.9	20.09	217.8	20.18	222.7	20.26
	12	137.4	12.90	163.3	15.92	189.9	19.04	203.3	20.20	209.9	20.84	214.6	21.09	219.5	21.18
	14	137.4	13.35	163.3	16.47	189.9	19.81	203.3	20.97	206.8	21.60	212.3	21.92	217.2	22.12
	16	137.4	13.84	163.3	17.15	189.9	20.58	202.1	22.09	204.5	22.60	209.3	22.71	214.0	22.95
	18	137.4	14.38	163.3	17.92	189.9	21.83	199.0	23.34	201.5	23.77	206.2	23.86	211.7	23.97
	20	137.4	14.92	163.3	19.00	189.9	23.26	196.6	24.68	199.0	24.94	203.8	25.03	208.8	25.14
	21	137.4	15.38	163.3	19.69	189.9	24.08	194.8	25.25	197.2	25.51	202.7	25.60	207.4	25.71
	23	137.4	16.44	163.3	21.06	189.9	25.68	192.3	26.37	194.8	26.68	199.5	26.77	204.5	26.88
	25	137.4	17.55	163.3	22.57	187.0	27.08	189.3	27.56	191.7	27.82	197.2	27.94	202.1	28.05
	27	137.4	18.75	163.3	24.11	184.4	28.45	187.0	28.68	189.3	28.99	194.3	29.10	199.0	29.22
	29	137.4	20.00	163.3	25.74	181.5	29.65	183.9	29.87	186.2	30.14	191.1	30.27	196.6	30.39
	31	137.4	21.31	163.3	27.48	178.4	30.87	181.5	30.99	183.9	31.30	188.8	31.42	193.5	31.56
	33	137.4	22.68	163.3	29.31	176.0	31.99	178.4	32.19	180.9	32.47	185.6	32.59	190.5	32.73
	35	137.4	24.11	163.3	31.25	173.1	33.24	175.4	33.36	178.4	33.62	183.3	33.76	188.2	33.90
	37	137.4	25.19	163.3	32.01	170.5	33.81	173.1	34.02	175.4	34.16	180.3	34.36	185.0	34.47
	39	137.4	26.25	162.7	32.76	167.6	34.39	169.9	34.64	172.3	34.73	177.8	34.96	182.7	35.05
110	10	125.6	11.30	149.9	13.78	174.0	16.36	186.1	17.72	198.1	19.06	213.2	19.83	218.1	19.92
	12	125.6	11.67	149.9	14.24	174.0	17.04	186.1	18.21	198.1	19.78	210.8	20.60	215.1	20.89
	14	125.6	12.02	149.9	14.89	174.0	17.81	186.1	19.12	198.1	20.77	207.9	21.37	212.6	21.83
	16	125.6	12.44	149.9	15.43	174.0	18.55	186.1	19.95	198.1	22.03	205.3	22.57	209.6	22.72
	18	125.6	12.90	149.9	16.07	174.0	19.63	186.1	21.26	198.1	23.34	202.4	23.72	207.3	23.82
	20	125.6	13.38	149.9	16.87	174.0	20.80	186.1	22.66	195.1	24.62	200.1	24.88	204.2	24.97
	21	125.6	13.67	149.9	17.38	174.0	21.55	186.1	23.48	194.0	25.17	198.1	25.45	203.0	25.56
	23	125.6	14.55	149.9	18.63	174.0	23.12	186.1	24.91	190.8	26.37	195.7	26.62	200.1	26.71
	25	125.6	15.55	149.9	19.86	174.0	24.74	186.1	26.37	188.5	27.48	192.8	27.77	197.5	27.88
	27	125.6	16.61	149.9	21.25	174.0	26.48	183.0	27.83	185.6	28.79	190.2	28.93	194.6	29.05
	29	125.6	17.75	149.9	22.68	174.0	28.25	180.6	29.02	183.0	29.94	187.3	30.08	192.0	30.19
	31	125.6	18.86	149.9	24.17	174.0	30.19	177.5	30.31	180.1	31.10	184.8	31.24	189.1	31.36
	33	125.6	20.12	149.9	25.74	172.8	31.87	175.2	31.67	177.5	32.27	181.8	32.39	186.7	32.53
	35	125.6	21.37	149.9	27.48	169.7	32.99	172.2	33.13	174.6	33.42	178.9	33.56	183.6	33.70
	37	125.6	22.20	149.9	28.33	167.3	33.58	169.7	33.62	171.6	33.92	176.3	34.12	180.6	34.21
	39	125.6	23.06	149.9	29.16	164.4	34.10	166.7	34.18	169.1	34.44	173.4	34.64	178.3	34.73
100	10	109.6	11.30	130.5	13.73	152.0	16.29	162.4	17.60	172.8	18.92	194.3	21.06	213.4	21.23
	12	109.6	11.67	130.5	14.29	152.0	16.84	162.4	18.09	172.8	19.52	194.3	22.19	210.5	22.40
	14	109.6	12.02	130.5	14.86	152.0	17.55	162.4	18.86	172.8	20.37	194.3	23.43	208.2	23.65
	16	109.6	12.39	130.5	15.35	152.0	18.29	162.4	19.75	172.8	21.46	194.3	24.56	205.3	24.91
	18	109.6	12.75	130.5	15.92	152.0	19.00	162.4	20.72	172.8	22.74	194.3	25.94	202.4	26.16
	20	109.6	13.21	130.5	16.52	152.0	20.11	162.4	22.20	172.8	24.34	194.3	27.19	199.5	27.42
	21	109.6	13.49	130.5	16.92	152.0	20.80	162.4	22.96	172.8	25.25	194.3	27.82	198.4	28.02
	23	109.6	14.29	130.5	18.09	152.0	22.34	162.4	24.62	172.8	27.05	191.6	29.13	195.8	29.36
	25	109.6	15.18	130.5	19.29	152.0	23.85	162.4	26.36	172.8	28.93	188.8	30.36	192.6	30.61
	27	109.6	16.23	130.5	20.60	152.0	25.53	162.4	28.16	172.8	30.76	185.9	31.79	190.2	32.04
	29	109.6	17.26	130.5	21.99	152.0	27.25	162.4	30.10	172.8	32.55	183.3	33.07	187.3	33.33
	31	109.6	18.46	130.5	23.45	152.0	29.05	162.4	32.10	172.8	34.21	180.4	34.35	184.4	34.64
	33	109.6	19.55	130.5	24.97	152.0	31.01	162.4	34.27	172.8	35.49	177.8	35.64	181.5	35.92
	35	109.6	20.80	130.5	26.56	152.0	33.01	162.4	36.55	170.2	36.78	174.9	36.92	178.6	37.21
	37	109.6	21.63	130.5	27.65	152.0	33.95	162.4	37.18	167.4	37.35	172.2	37.52	176.3	37.86
	39	109.6	22.46	130.5	28.76	152.0	34.84	162.4	37.78	164.7	37.95	169.4	38.09	173.4	38.44

Notes:
 1. TC: Total Capacity(kW) PI : Power Input(kW)(Comp. + Outdoor fan motor)
 2. Capacity tables show the average value of conditions which may occur.

7. Capacity Tables

Cooling Capacity(58HP)

Outdoor Units

Combination (%)	Outdoor air temp °C DB	Indoor air temp. (DB/WB, °C)													
		20		23		26		27		28		30		32	
		14		16		18		19		20		22		24	
		TC	PI	TC	PI	TC	PI	TC	PI	TC	PI	TC	PI	TC	PI
90	10	98.6	10.18	117.7	12.38	136.9	14.67	146.2	15.86	155.4	17.04	174.6	18.97	193.7	19.12
	12	98.6	10.50	117.7	12.87	136.9	15.18	146.2	16.29	155.4	17.58	174.6	19.98	193.7	20.18
	14	98.6	10.84	117.7	13.39	136.9	15.81	146.2	16.98	155.4	18.35	174.6	20.97	193.7	21.31
	16	98.6	11.16	117.7	13.80	136.9	16.41	146.2	17.70	155.4	19.16	174.6	21.51	193.7	22.43
	18	98.6	11.50	117.7	14.24	136.9	16.87	146.2	18.28	155.4	19.64	174.6	21.99	193.7	23.57
	20	98.6	11.84	117.7	14.55	136.9	17.21	146.2	18.62	155.4	20.38	174.6	23.54	193.7	24.69
	21	98.6	12.06	117.7	14.69	136.9	17.55	146.2	19.24	155.4	21.13	174.6	24.39	193.7	25.25
	23	98.6	12.38	117.7	15.31	136.9	18.76	146.2	20.66	155.4	22.61	174.6	26.02	191.1	26.45
	25	98.6	13.00	117.7	16.31	136.9	20.04	146.2	22.07	155.4	24.16	174.6	27.35	188.2	27.57
	27	98.6	13.88	117.7	17.41	136.9	21.39	146.2	23.57	155.4	25.86	174.6	28.65	185.6	28.88
	29	98.6	14.69	117.7	18.56	136.9	22.89	146.2	25.18	155.4	27.63	174.6	29.79	182.7	30.04
	31	98.6	15.65	117.7	19.78	136.9	24.38	146.2	26.82	155.4	29.45	174.6	30.96	180.1	31.19
	33	98.6	16.65	117.7	21.05	136.9	26.00	146.2	28.57	155.4	31.25	174.6	32.10	177.2	32.36
	35	98.6	17.66	117.7	22.35	136.9	27.63	146.2	30.46	155.4	32.90	171.6	33.25	174.6	33.53
	37	98.6	18.76	117.7	23.77	136.9	29.45	146.2	32.36	155.4	33.67	168.8	33.79	171.7	34.10
	39	98.6	19.86	117.7	25.29	136.9	31.11	146.2	33.83	155.4	34.19	166.1	34.33	169.0	34.64
80	10	87.6	10.18	104.4	12.35	121.2	14.59	129.9	15.77	138.6	16.93	155.4	18.97	172.3	19.12
	12	87.6	10.48	104.4	12.66	121.2	14.96	129.9	16.12	138.6	17.27	155.4	19.74	172.3	20.18
	14	87.6	10.76	104.4	12.94	121.2	15.18	129.9	16.40	138.6	17.56	155.4	20.10	172.3	21.31
	16	87.6	10.91	104.4	13.16	121.2	15.46	129.9	16.70	138.6	17.93	155.4	20.53	172.3	22.27
	18	87.6	11.13	104.4	13.37	121.2	15.77	129.9	16.99	138.6	18.29	155.4	20.90	172.3	22.77
	20	87.6	11.35	104.4	13.65	121.2	16.12	129.9	17.36	138.6	18.66	155.4	21.69	172.3	24.36
	21	87.6	11.41	104.4	13.82	121.2	16.26	129.9	17.56	138.6	19.09	155.4	22.37	172.3	25.12
	23	87.6	11.64	104.4	14.02	121.2	16.99	129.9	18.66	138.6	20.39	155.4	23.62	172.3	26.45
	25	87.6	12.07	104.4	14.96	121.2	18.21	129.9	19.96	138.6	21.83	155.4	25.28	172.3	27.57
	27	87.6	12.80	104.4	15.91	121.2	19.45	129.9	21.32	138.6	23.28	155.4	26.87	172.3	28.88
	29	87.6	13.59	104.4	16.99	121.2	20.67	129.9	22.71	138.6	24.86	155.4	28.77	172.3	30.04
	31	87.6	14.47	104.4	18.01	121.2	22.06	129.9	24.21	138.6	26.45	155.4	30.53	172.3	31.19
	33	87.6	15.32	104.4	19.23	121.2	23.50	129.9	25.80	138.6	28.20	155.4	31.95	172.3	32.36
	35	87.6	16.26	104.4	20.39	121.2	25.01	129.9	27.47	138.6	30.07	155.4	33.25	170.5	33.53
	37	87.6	17.21	104.4	21.67	121.2	26.53	129.9	29.20	138.6	31.95	155.4	33.79	167.6	34.10
	39	87.6	18.18	104.4	22.91	121.2	28.09	129.9	30.78	138.6	33.95	155.4	34.33	165.0	34.64
70	10	76.6	9.31	91.6	11.07	106.1	12.83	113.7	13.85	121.2	14.81	135.7	16.86	150.8	18.87
	12	76.6	9.45	91.6	11.21	106.1	13.11	113.7	14.07	121.2	15.10	135.7	17.16	150.8	19.21
	14	76.6	9.59	91.6	11.35	106.1	13.34	113.7	14.30	121.2	15.32	135.7	17.51	150.8	19.55
	16	76.6	9.76	91.6	11.58	106.1	13.56	113.7	14.59	121.2	15.61	135.7	17.82	150.8	19.98
	18	76.6	9.90	91.6	11.80	106.1	13.85	113.7	14.87	121.2	15.92	135.7	18.10	150.8	20.34
	20	76.6	10.04	91.6	12.03	106.1	14.07	113.7	15.18	121.2	16.28	135.7	18.55	150.8	21.11
	21	76.6	10.19	91.6	12.09	106.1	14.22	113.7	15.32	121.2	16.43	135.7	18.84	150.8	21.79
	23	76.6	10.33	91.6	12.40	106.1	14.52	113.7	15.83	121.2	17.22	135.7	20.15	150.8	22.99
	25	76.6	10.47	91.6	12.83	106.1	15.47	113.7	16.94	121.2	18.39	135.7	21.56	150.8	24.60
	27	76.6	11.07	91.6	13.71	106.1	16.49	113.7	17.96	121.2	19.64	135.7	23.01	150.8	26.16
	29	76.6	11.80	91.6	14.52	106.1	17.51	113.7	19.13	121.2	20.89	135.7	24.55	150.8	28.01
	31	76.6	12.54	91.6	15.47	106.1	18.70	113.7	20.46	121.2	22.28	135.7	26.16	150.8	29.73
	33	76.6	13.28	91.6	16.34	106.1	19.86	113.7	21.70	121.2	23.67	135.7	27.86	150.8	31.33
	35	76.6	13.99	91.6	17.45	106.1	21.11	113.7	23.10	121.2	25.22	135.7	29.68	150.8	33.22
	37	76.6	14.87	91.6	18.47	106.1	22.44	113.7	24.55	121.2	26.84	135.7	31.59	150.8	34.10
	39	76.6	15.64	91.6	19.52	106.1	23.75	113.7	25.91	121.2	28.41	135.7	33.48	150.8	34.64
60	10	65.5	8.18	78.3	9.58	91.1	11.15	97.4	11.97	103.8	12.71	116.6	14.42	129.3	16.12
	12	65.5	8.33	78.3	9.73	91.1	11.29	97.4	12.11	103.8	12.93	116.6	14.64	129.3	16.43
	14	65.5	8.39	78.3	9.89	91.1	11.52	97.4	12.34	103.8	13.16	116.6	14.93	129.3	16.72
	16	65.5	8.55	78.3	10.10	91.1	11.66	97.4	12.56	103.8	13.45	116.6	15.24	129.3	17.03
	18	65.5	8.70	78.3	10.26	91.1	11.89	97.4	12.79	103.8	13.68	116.6	15.46	129.3	17.40
	20	65.5	8.84	78.3	10.41	91.1	12.11	97.4	13.00	103.8	13.90	116.6	15.75	129.3	17.77
	21	65.5	8.92	78.3	10.49	91.1	12.26	97.4	13.16	103.8	14.05	116.6	15.98	129.3	17.91
	23	65.5	9.07	78.3	10.69	91.1	12.42	97.4	13.39	103.8	14.33	116.6	16.57	129.3	19.02
	25	65.5	9.21	78.3	10.92	91.1	12.93	97.4	14.05	103.8	15.24	116.6	17.69	129.3	20.36
	27	65.5	9.52	78.3	11.52	91.1	13.76	97.4	14.93	103.8	16.20	116.6	18.80	129.3	21.70
	29	65.5	10.10	78.3	12.26	91.1	14.64	97.4	15.90	103.8	17.23	116.6	20.07	129.3	23.20
	31	65.5	10.69	78.3	13.00	91.1	15.53	97.4	16.94	103.8	18.36	116.6	21.41	129.3	24.68
	33	65.5	11.29	78.3	13.76	91.1	16.49	97.4	17.99	103.8	19.54	116.6	22.74	129.3	26.30
	35	65.5	11.97	78.3	14.64	91.1	17.54	97.4	19.10	103.8	20.73	116.6	24.22	129.3	27.95
	37	65.5	12.63	78.3	15.44	91.1	18.57	97.4	20.30	103.8	22.00	116.6	25.71	129.3	29.74
	39	65.5	13.31	78.3	16.29	91.1	19.67	97.4	21.55	103.8	23.20	116.6	27.30	129.3	31.53

Notes:
 1. TC: Total Capacity(kW) PI : Power Input(kW)(Comp. + Outdoor fan motor)
 2. Capacity tables show the average value of conditions which may occur.

7. Capacity Tables

Cooling Capacity(58HP)

Combination (%)	Outdoor air temp °C DB	Indoor air temp. (DB/WB, °C)													
		20		23		26		27		28		30		32	
		14		16		18		19		20		22		24	
		TC	PI	TC	PI	TC	PI	TC	PI	TC	PI	TC	PI	TC	PI
50	10	54.8	7.15	65.5	8.29	76.0	9.43	81.2	10.09	86.4	10.71	96.9	12.05	107.9	13.41
	12	54.8	7.23	65.5	8.37	76.0	9.57	81.2	10.25	86.4	10.91	96.9	12.28	107.9	13.64
	14	54.8	7.32	65.5	8.52	76.0	9.72	81.2	10.40	86.4	11.08	96.9	12.42	107.9	13.87
	16	54.8	7.46	65.5	8.66	76.0	9.86	81.2	10.62	86.4	11.22	96.9	12.65	107.9	14.10
	18	54.8	7.52	65.5	8.74	76.0	10.02	81.2	10.77	86.4	11.45	96.9	12.88	107.9	14.39
	20	54.8	7.61	65.5	8.89	76.0	10.25	81.2	10.91	86.4	11.68	96.9	13.10	107.9	14.70
	21	54.8	7.69	65.5	8.97	76.0	10.31	81.2	11.08	86.4	11.76	96.9	13.25	107.9	14.84
	23	54.8	7.83	65.5	9.12	76.0	10.48	81.2	11.22	86.4	11.97	96.9	13.48	107.9	15.15
	25	54.8	7.92	65.5	9.26	76.0	10.71	81.2	11.45	86.4	12.36	96.9	14.16	107.9	16.21
	27	54.8	8.06	65.5	9.57	76.0	11.31	81.2	12.20	86.4	13.10	96.9	15.15	107.9	17.26
	29	54.8	8.52	65.5	10.17	76.0	11.97	81.2	12.96	86.4	13.93	96.9	16.04	107.9	18.31
	31	54.8	8.97	65.5	10.77	76.0	12.73	81.2	13.70	86.4	14.84	96.9	17.09	107.9	19.51
	33	54.8	9.49	65.5	11.37	76.0	13.48	81.2	14.53	86.4	15.75	96.9	18.15	107.9	20.79
	35	54.8	10.02	65.5	12.05	76.0	14.24	81.2	15.44	86.4	16.64	96.9	19.20	107.9	22.08
	37	54.8	10.62	65.5	12.73	76.0	15.07	81.2	16.35	86.4	17.63	96.9	20.48	107.9	23.42
	39	54.8	11.11	65.5	13.39	76.0	15.98	81.2	17.26	86.4	18.54	96.9	21.62	107.9	24.81

Notes:

1. TC: Total Capacity(kW) PI : Power Input(kW)(Comp. + Outdoor fan motor)
2. Capacity tables show the average value of conditions which may occur.

7. Capacity Tables

ARUB600LTE4

Cooling Capacity(60HP)

Combination (%)	Outdoor air temp °C DB	Indoor air temp. (DB/WB, °C)													
		20		23		26		27		28		30		32	
		14		16		18		19		20		22		24	
		TC	PI	TC	PI	TC	PI	TC	PI	TC	PI	TC	PI	TC	PI
130	10	153.6	14.70	183.0	17.94	212.4	20.82	220.5	21.24	222.9	21.48	228.6	21.57	234.3	21.72
	12	153.6	15.06	183.0	18.60	212.4	21.69	217.2	21.81	221.1	22.23	225.3	22.47	231.0	22.56
	14	153.6	15.54	183.0	19.26	211.8	22.50	214.8	22.65	217.2	23.04	222.9	23.25	228.6	23.43
	16	153.6	16.11	183.0	19.95	209.1	23.49	211.8	23.73	214.2	23.88	219.9	24.12	225.3	24.33
	18	153.6	16.80	183.0	21.09	206.1	24.78	208.5	24.96	211.8	25.11	217.2	25.23	222.9	25.38
	20	153.6	17.55	183.0	22.47	202.8	25.95	206.4	26.19	208.5	26.34	214.2	26.46	219.9	26.64
	21	153.6	18.00	183.0	23.25	201.6	26.55	204.9	26.82	207.3	26.94	213.0	27.09	218.7	27.24
	23	153.6	19.32	183.0	24.96	199.2	27.69	201.6	27.96	204.6	28.17	209.7	28.32	215.4	28.50
	25	153.6	20.64	183.0	26.67	196.2	28.92	199.2	29.19	201.6	29.40	207.3	29.55	213.0	29.73
	27	153.6	22.08	183.0	28.50	193.5	30.18	196.2	30.39	199.2	30.63	204.6	30.78	209.7	30.96
	29	153.6	23.52	183.0	30.48	190.5	31.41	193.2	31.62	196.2	31.86	201.6	32.01	207.3	32.19
	31	153.6	25.08	182.4	32.10	187.2	32.67	190.5	32.88	193.2	33.06	198.6	33.24	204.3	33.45
	33	153.6	26.73	179.1	33.33	184.8	33.90	187.8	34.14	190.5	34.29	196.2	34.47	201.0	34.68
	35	153.6	28.50	176.1	34.56	181.8	35.16	184.8	35.37	187.8	35.52	192.9	35.70	198.6	35.91
	37	153.6	29.52	173.7	35.22	179.1	35.85	181.8	36.12	184.8	36.27	189.9	36.39	195.6	36.66
	39	153.6	30.51	170.4	35.91	176.1	36.57	179.1	36.84	181.8	36.96	187.2	37.08	192.9	37.35
120	10	142.2	13.20	168.9	16.20	196.5	19.26	210.3	20.79	220.2	21.12	225.3	21.21	230.4	21.30
	12	142.2	13.56	168.9	16.74	196.5	20.01	210.3	21.24	217.2	21.90	222.0	22.17	227.1	22.26
	14	142.2	14.04	168.9	17.31	196.5	20.82	210.3	22.05	213.9	22.71	219.6	23.04	224.7	23.25
	16	142.2	14.55	168.9	18.03	196.5	21.63	209.1	23.22	211.5	23.76	216.6	23.88	221.4	24.12
	18	142.2	15.12	168.9	18.84	196.5	22.95	205.8	24.54	208.5	24.99	213.3	25.08	219.0	25.20
	20	142.2	15.69	168.9	19.98	196.5	24.45	203.4	25.95	205.8	26.22	210.9	26.31	216.0	26.43
	21	142.2	16.17	168.9	20.70	196.5	25.32	201.6	26.55	204.0	26.82	209.7	26.91	214.5	27.03
	23	142.2	17.28	168.9	22.14	196.5	27.00	198.9	27.72	201.6	28.05	206.4	28.14	211.5	28.26
	25	142.2	18.45	168.9	23.73	193.5	28.47	195.9	28.98	198.3	29.25	204.0	29.37	209.1	29.49
	27	142.2	19.71	168.9	25.35	190.8	29.91	193.5	30.15	195.9	30.48	201.0	30.60	205.8	30.72
	29	142.2	21.03	168.9	27.06	187.8	31.17	190.2	31.41	192.6	31.68	197.7	31.83	203.4	31.95
	31	142.2	22.41	168.9	28.89	184.5	32.46	187.8	32.58	190.2	32.91	195.3	33.03	200.1	33.18
	33	142.2	23.85	168.9	30.81	182.1	33.63	184.5	33.84	187.2	34.14	192.0	34.26	197.1	34.41
	35	142.2	25.35	168.9	32.85	179.1	34.95	181.5	35.07	184.5	35.34	189.6	35.49	194.7	35.64
	37	142.2	26.49	168.9	33.66	176.4	35.55	179.1	35.76	181.5	35.91	186.6	36.12	191.4	36.24
	39	142.2	27.60	168.3	34.44	173.4	36.15	175.8	36.42	178.2	36.51	183.9	36.75	189.0	36.84
110	10	129.9	11.88	155.1	14.49	180.0	17.19	192.6	18.63	204.9	20.04	220.5	20.85	225.6	20.94
	12	129.9	12.27	155.1	14.97	180.0	17.91	192.6	19.14	204.9	20.79	218.1	21.66	222.6	21.96
	14	129.9	12.63	155.1	15.66	180.0	18.72	192.6	20.10	204.9	21.84	215.1	22.47	219.9	22.95
	16	129.9	13.08	155.1	16.23	180.0	19.50	192.6	20.97	204.9	23.16	212.4	23.73	216.9	23.88
	18	129.9	13.56	155.1	16.89	180.0	20.64	192.6	22.35	204.9	24.54	209.4	24.93	214.5	25.05
	20	129.9	14.07	155.1	17.73	180.0	21.87	192.6	23.82	201.9	25.89	207.0	26.16	211.2	26.25
	21	129.9	14.37	155.1	18.27	180.0	22.65	192.6	24.69	200.7	26.46	204.9	26.76	210.0	26.88
	23	129.9	15.30	155.1	19.59	180.0	24.30	192.6	26.19	197.4	27.72	202.5	27.99	207.0	28.08
	25	129.9	16.35	155.1	20.88	180.0	26.01	192.6	27.72	195.0	28.89	199.5	29.19	204.3	29.31
	27	129.9	17.46	155.1	22.35	180.0	27.84	189.3	29.25	192.0	30.27	196.8	30.42	201.3	30.54
	29	129.9	18.66	155.1	23.85	180.0	29.70	186.9	30.51	189.3	31.47	193.8	31.62	198.6	31.74
	31	129.9	19.83	155.1	25.41	180.0	31.74	183.6	31.86	186.3	32.70	191.1	32.85	195.6	32.97
	33	129.9	21.15	155.1	27.06	178.8	33.51	181.2	33.30	183.6	33.93	188.1	34.05	193.2	34.20
	35	129.9	22.47	155.1	28.89	175.5	34.68	178.2	34.83	180.6	35.13	185.1	35.28	189.9	35.43
	37	129.9	23.34	155.1	29.79	173.1	35.31	175.5	35.34	177.6	35.67	182.4	35.88	186.9	35.97
	39	129.9	24.24	155.1	30.66	170.1	35.85	172.5	35.94	174.9	36.21	179.4	36.42	184.5	36.51
100	10	113.4	11.88	135.0	14.43	157.2	17.13	168.0	18.51	178.8	19.89	201.0	22.14	220.8	22.32
	12	113.4	12.27	135.0	15.03	157.2	17.70	168.0	19.02	178.8	20.52	201.0	23.34	217.8	23.55
	14	113.4	12.63	135.0	15.63	157.2	18.45	168.0	19.83	178.8	21.42	201.0	24.63	215.4	24.87
	16	113.4	13.02	135.0	16.14	157.2	19.23	168.0	20.76	178.8	22.56	201.0	25.83	212.4	26.19
	18	113.4	13.41	135.0	16.74	157.2	19.98	168.0	21.78	178.8	23.91	201.0	27.27	209.4	27.51
	20	113.4	13.89	135.0	17.37	157.2	21.15	168.0	23.34	178.8	25.59	201.0	28.59	206.4	28.83
	21	113.4	14.19	135.0	17.79	157.2	21.87	168.0	24.15	178.8	26.55	201.0	29.25	205.2	29.46
	23	113.4	15.03	135.0	19.02	157.2	23.49	168.0	25.89	178.8	28.44	198.3	30.63	202.5	30.87
	25	113.4	15.96	135.0	20.28	157.2	25.08	168.0	27.72	178.8	30.42	195.3	31.92	199.2	32.19
	27	113.4	17.07	135.0	21.66	157.2	26.85	168.0	29.61	178.8	32.34	192.3	33.42	196.8	33.69
	29	113.4	18.15	135.0	23.13	157.2	28.65	168.0	31.65	178.8	34.23	189.6	34.77	193.8	35.04
	31	113.4	19.41	135.0	24.66	157.2	30.54	168.0	33.75	178.8	35.97	186.6	36.12	190.8	36.42
	33	113.4	20.55	135.0	26.25	157.2	32.61	168.0	36.03	178.8	37.32	183.9	37.47	187.8	37.77
	35	113.4	21.87	135.0	27.93	157.2	34.71	168.0	38.43	176.1	38.67	180.9	38.82	184.8	39.12
	37	113.4	22.74	135.0	29.07	157.2	35.70	168.0	39.09	173.1	39.27	178.2	39.45	182.4	39.81
	39	113.4	23.61	135.0	30.24	157.2	36.63	168.0	39.72	170.4	39.90	175.2	40.05	179.4	40.41

Notes:

1. TC: Total Capacity(kW) PI : Power Input(kW)(Comp. + Outdoor fan motor)
2. Capacity tables show the average value of conditions which may occur.

7. Capacity Tables

Cooling Capacity(60HP)

Combination (%)	Outdoor air temp °C DB	Indoor air temp. (DB/WB, °C)													
		20		23		26		27		28		30		32	
		14		16		18		19		20		22		24	
		TC	PI	TC	PI	TC	PI	TC	PI	TC	PI	TC	PI	TC	PI
90	10	102.0	10.71	121.8	13.02	141.6	15.42	151.2	16.68	160.8	17.91	180.6	19.95	200.4	20.10
	12	102.0	11.04	121.8	13.53	141.6	15.96	151.2	17.13	160.8	18.48	180.6	21.00	200.4	21.21
	14	102.0	11.40	121.8	14.07	141.6	16.62	151.2	17.85	160.8	19.29	180.6	22.20	200.4	22.41
	16	102.0	11.73	121.8	14.55	141.6	17.34	151.2	18.72	160.8	20.31	180.6	22.83	200.4	23.58
	18	102.0	12.09	121.8	15.09	141.6	17.91	151.2	19.41	160.8	20.85	180.6	23.34	200.4	24.78
	20	102.0	12.51	121.8	15.45	141.6	18.27	151.2	19.77	160.8	21.63	180.6	24.99	200.4	25.95
	21	102.0	12.78	121.8	15.60	141.6	18.63	151.2	20.43	160.8	22.44	180.6	25.89	200.4	26.55
	23	102.0	13.14	121.8	16.26	141.6	19.92	151.2	21.93	160.8	24.00	180.6	27.57	197.7	27.81
	25	102.0	13.80	121.8	17.31	141.6	21.27	151.2	23.43	160.8	25.65	180.6	28.77	194.7	28.98
	27	102.0	14.73	121.8	18.48	141.6	22.71	151.2	25.02	160.8	27.45	180.6	30.12	192.0	30.36
	29	102.0	15.60	121.8	19.71	141.6	24.30	151.2	26.73	160.8	29.34	180.6	31.32	189.0	31.59
	31	102.0	16.62	121.8	21.00	141.6	25.89	151.2	28.47	160.8	31.26	180.6	32.55	186.3	32.79
	33	102.0	17.67	121.8	22.35	141.6	27.60	151.2	30.33	160.8	33.18	180.6	33.75	183.3	34.02
	35	102.0	18.75	121.8	23.73	141.6	29.34	151.2	32.34	160.8	34.83	177.6	34.95	180.6	35.25
	37	102.0	19.92	121.8	25.23	141.6	31.26	151.2	34.35	160.8	35.40	174.6	35.52	177.6	35.85
	39	102.0	21.09	121.8	26.85	141.6	33.00	151.2	35.79	160.8	35.94	171.9	36.09	174.9	36.42
80	10	90.6	10.71	108.0	13.02	125.4	15.42	134.4	16.68	143.4	17.91	160.8	19.95	178.2	20.10
	12	90.6	11.04	108.0	13.41	125.4	15.84	134.4	17.07	143.4	18.30	160.8	20.91	178.2	21.21
	14	90.6	11.40	108.0	13.71	125.4	16.08	134.4	17.37	143.4	18.60	160.8	21.30	178.2	22.41
	16	90.6	11.55	108.0	13.95	125.4	16.38	134.4	17.70	143.4	18.99	160.8	21.75	178.2	23.58
	18	90.6	11.79	108.0	14.16	125.4	16.71	134.4	18.00	143.4	19.38	160.8	22.14	178.2	24.12
	20	90.6	12.03	108.0	14.46	125.4	17.07	134.4	18.39	143.4	19.77	160.8	22.98	178.2	25.80
	21	90.6	12.09	108.0	14.64	125.4	17.22	134.4	18.60	143.4	20.22	160.8	23.70	178.2	26.55
	23	90.6	12.33	108.0	14.85	125.4	18.00	134.4	19.77	143.4	21.60	160.8	25.02	178.2	27.81
	25	90.6	12.78	108.0	15.84	125.4	19.29	134.4	21.15	143.4	23.13	160.8	26.79	178.2	28.98
	27	90.6	13.56	108.0	16.86	125.4	20.61	134.4	22.59	143.4	24.66	160.8	28.47	178.2	30.36
	29	90.6	14.40	108.0	18.00	125.4	21.90	134.4	24.06	143.4	26.34	160.8	30.48	178.2	31.59
	31	90.6	15.33	108.0	19.08	125.4	23.37	134.4	25.65	143.4	28.02	160.8	32.34	178.2	32.79
	33	90.6	16.23	108.0	20.37	125.4	24.90	134.4	27.33	143.4	29.88	160.8	33.75	178.2	34.02
	35	90.6	17.22	108.0	21.60	125.4	26.49	134.4	29.10	143.4	31.86	160.8	34.95	176.4	35.25
	37	90.6	18.24	108.0	22.95	125.4	28.11	134.4	30.93	143.4	33.84	160.8	35.52	173.4	35.85
	39	90.6	19.26	108.0	24.27	125.4	29.76	134.4	32.61	143.4	35.94	160.8	36.09	170.7	36.42
70	10	79.2	9.84	94.8	11.70	109.8	13.56	117.6	14.64	125.4	15.66	140.4	17.82	156.0	19.95
	12	79.2	9.99	94.8	11.85	109.8	13.86	117.6	14.88	125.4	15.96	140.4	18.15	156.0	20.31
	14	79.2	10.14	94.8	12.00	109.8	14.10	117.6	15.12	125.4	16.20	140.4	18.51	156.0	20.67
	16	79.2	10.32	94.8	12.24	109.8	14.34	117.6	15.42	125.4	16.50	140.4	18.84	156.0	21.12
	18	79.2	10.47	94.8	12.48	109.8	14.64	117.6	15.72	125.4	16.83	140.4	19.14	156.0	21.51
	20	79.2	10.62	94.8	12.72	109.8	14.88	117.6	16.05	125.4	17.22	140.4	19.62	156.0	22.32
	21	79.2	10.77	94.8	12.78	109.8	15.03	117.6	16.20	125.4	17.37	140.4	19.92	156.0	23.04
	23	79.2	10.92	94.8	13.11	109.8	15.36	117.6	16.74	125.4	18.21	140.4	21.30	156.0	24.30
	25	79.2	11.07	94.8	13.56	109.8	16.35	117.6	17.91	125.4	19.44	140.4	22.80	156.0	26.01
	27	79.2	11.70	94.8	14.49	109.8	17.43	117.6	18.99	125.4	20.76	140.4	24.33	156.0	27.66
	29	79.2	12.48	94.8	15.36	109.8	18.51	117.6	20.22	125.4	22.08	140.4	25.95	156.0	29.61
	31	79.2	13.26	94.8	16.35	109.8	19.77	117.6	21.63	125.4	23.55	140.4	27.66	156.0	31.44
	33	79.2	14.04	94.8	17.28	109.8	21.00	117.6	22.95	125.4	25.02	140.4	29.46	156.0	33.12
	35	79.2	14.79	94.8	18.45	109.8	22.32	117.6	24.42	125.4	26.67	140.4	31.38	156.0	35.13
	37	79.2	15.72	94.8	19.53	109.8	23.73	117.6	25.95	125.4	28.38	140.4	33.39	156.0	35.85
	39	79.2	16.53	94.8	20.64	109.8	25.11	117.6	27.39	125.4	30.03	140.4	35.40	156.0	36.42
60	10	67.8	8.64	81.0	10.11	94.2	11.76	100.8	12.63	107.4	13.41	120.6	15.21	133.8	17.01
	12	67.8	8.79	81.0	10.26	94.2	11.91	100.8	12.78	107.4	13.65	120.6	15.45	133.8	17.34
	14	67.8	8.85	81.0	10.44	94.2	12.15	100.8	13.02	107.4	13.89	120.6	15.75	133.8	17.64
	16	67.8	9.03	81.0	10.65	94.2	12.30	100.8	13.26	107.4	14.19	120.6	16.08	133.8	17.97
	18	67.8	9.18	81.0	10.83	94.2	12.54	100.8	13.50	107.4	14.43	120.6	16.32	133.8	18.36
	20	67.8	9.33	81.0	10.98	94.2	12.78	100.8	13.71	107.4	14.67	120.6	16.62	133.8	18.75
	21	67.8	9.42	81.0	11.07	94.2	12.93	100.8	13.89	107.4	14.82	120.6	16.86	133.8	18.90
	23	67.8	9.57	81.0	11.28	94.2	13.11	100.8	14.13	107.4	15.12	120.6	17.49	133.8	20.07
	25	67.8	9.72	81.0	11.52	94.2	13.65	100.8	14.82	107.4	16.08	120.6	18.66	133.8	21.48
	27	67.8	10.05	81.0	12.15	94.2	14.52	100.8	15.75	107.4	17.10	120.6	19.83	133.8	22.89
	29	67.8	10.65	81.0	12.93	94.2	15.45	100.8	16.77	107.4	18.18	120.6	21.18	133.8	24.48
	31	67.8	11.28	81.0	13.71	94.2	16.38	100.8	17.88	107.4	19.38	120.6	22.59	133.8	26.04
	33	67.8	11.91	81.0	14.52	94.2	17.40	100.8	18.99	107.4	20.61	120.6	24.00	133.8	27.75
	35	67.8	12.63	81.0	15.45	94.2	18.51	100.8	20.16	107.4	21.87	120.6	25.56	133.8	29.49
	37	67.8	13.32	81.0	16.29	94.2	19.59	100.8	21.42	107.4	23.22	120.6	27.12	133.8	31.38
	39	67.8	14.04	81.0	17.19	94.2	20.76	100.8	22.74	107.4	24.48	120.6	28.80	133.8	33.27

Notes:
 1. TC: Total Capacity(kW) PI : Power Input(kW)(Comp. + Outdoor fan motor)
 2. Capacity tables show the average value of conditions which may occur.

Outdoor Units

7. Capacity Tables

Cooling Capacity(60HP)

Combination (%)	Outdoor air temp °C DB	Indoor air temp. (DB/WB, °C)													
		20		23		26		27		28		30		32	
		14		16		18		19		20		22		24	
		TC	PI	TC	PI	TC	PI	TC	PI	TC	PI	TC	PI	TC	PI
50	10	56.7	7.53	67.8	8.73	78.6	9.93	84.0	10.62	89.4	11.28	100.2	12.69	111.6	14.13
	12	56.7	7.62	67.8	8.82	78.6	10.08	84.0	10.80	89.4	11.49	100.2	12.93	111.6	14.37
	14	56.7	7.71	67.8	8.97	78.6	10.23	84.0	10.95	89.4	11.67	100.2	13.08	111.6	14.61
	16	56.7	7.86	67.8	9.12	78.6	10.38	84.0	11.19	89.4	11.82	100.2	13.32	111.6	14.85
	18	56.7	7.92	67.8	9.21	78.6	10.56	84.0	11.34	89.4	12.06	100.2	13.56	111.6	15.15
	20	56.7	8.01	67.8	9.36	78.6	10.80	84.0	11.49	89.4	12.30	100.2	13.80	111.6	15.48
	21	56.7	8.10	67.8	9.45	78.6	10.86	84.0	11.67	89.4	12.39	100.2	13.95	111.6	15.63
	23	56.7	8.25	67.8	9.60	78.6	11.04	84.0	11.82	89.4	12.60	100.2	14.19	111.6	15.96
	25	56.7	8.34	67.8	9.75	78.6	11.28	84.0	12.06	89.4	13.02	100.2	14.91	111.6	17.07
	27	56.7	8.49	67.8	10.08	78.6	11.91	84.0	12.84	89.4	13.80	100.2	15.96	111.6	18.18
	29	56.7	8.97	67.8	10.71	78.6	12.60	84.0	13.65	89.4	14.67	100.2	16.89	111.6	19.29
	31	56.7	9.45	67.8	11.34	78.6	13.41	84.0	14.43	89.4	15.63	100.2	18.00	111.6	20.55
	33	56.7	9.99	67.8	11.97	78.6	14.19	84.0	15.30	89.4	16.59	100.2	19.11	111.6	21.90
	35	56.7	10.56	67.8	12.69	78.6	15.00	84.0	16.26	89.4	17.52	100.2	20.22	111.6	23.25
	37	56.7	11.19	67.8	13.41	78.6	15.87	84.0	17.22	89.4	18.57	100.2	21.57	111.6	24.66
	39	56.7	11.70	67.8	14.10	78.6	16.83	84.0	18.18	89.4	19.53	100.2	22.77	111.6	26.13

Notes:

1. TC: Total Capacity(kW) PI : Power Input(kW)(Comp. + Outdoor fan motor)
2. Capacity tables show the average value of conditions which may occur.

7. Capacity Tables

ARUB620LTE4

Cooling Capacity(62HP)

Combination (%)	Outdoor air temp °C DB	Indoor air temp. (DB/WB, °C)													
		20		23		26		27		28		30		32	
		14		16		18		19		20		22		24	
		TC	PI	TC	PI	TC	PI	TC	PI	TC	PI	TC	PI	TC	PI
130	10	158.7	15.80	189.1	19.31	219.3	22.39	227.7	22.83	230.3	23.09	236.1	23.22	241.8	23.35
	12	158.7	16.19	189.1	19.99	219.3	23.31	224.5	23.46	228.4	23.92	232.9	24.15	238.7	24.27
	14	158.7	16.73	189.1	20.72	218.7	24.19	221.9	24.37	224.5	24.78	230.3	25.02	236.1	25.21
	16	158.7	17.34	189.1	21.43	216.2	25.28	218.7	25.51	221.3	25.69	227.1	25.94	232.9	26.16
	18	158.7	18.06	189.1	22.69	212.9	26.64	215.6	26.86	218.7	27.01	224.5	27.14	230.3	27.30
	20	158.7	18.87	189.1	24.15	209.6	27.91	213.4	28.15	215.6	28.32	221.3	28.46	227.1	28.63
	21	158.7	19.36	189.1	25.02	208.5	28.54	211.6	28.84	214.3	28.98	220.1	29.12	225.9	29.29
	23	158.7	20.77	189.1	26.83	205.8	29.76	208.5	30.06	211.6	30.30	216.6	30.46	222.6	30.63
	25	158.7	22.18	189.1	28.68	202.5	31.09	205.9	31.40	208.5	31.61	214.3	31.78	220.1	31.97
	27	158.7	23.74	189.1	30.65	200.1	32.44	202.5	32.67	205.9	32.93	211.6	33.10	216.6	33.29
	29	158.7	25.29	189.1	32.78	196.7	33.78	199.7	34.02	202.5	34.25	208.5	34.42	214.3	34.63
	31	158.7	26.99	188.3	34.51	193.5	35.12	196.7	35.36	199.7	35.56	205.1	35.74	210.8	35.95
	33	158.7	28.76	185.2	35.83	190.9	36.48	194.0	36.70	196.7	36.88	202.5	37.07	207.7	37.29
	35	158.7	30.65	181.9	37.15	187.7	37.80	190.9	38.06	194.0	38.20	199.3	38.39	205.1	38.63
	37	158.7	31.74	179.4	37.86	185.2	38.55	187.7	38.86	190.9	39.00	196.1	39.12	201.9	39.42
	39	158.7	32.83	176.2	38.63	181.9	39.33	185.2	39.61	187.7	39.74	193.5	39.87	199.3	40.17
120	10	146.7	14.22	174.5	17.43	202.9	20.71	217.4	22.38	227.6	22.73	232.9	22.83	237.9	22.91
	12	146.7	14.58	174.5	18.00	202.9	21.53	217.4	22.83	224.4	23.58	229.4	23.85	234.7	23.96
	14	146.7	15.09	174.5	18.62	202.9	22.40	217.4	23.71	221.1	24.42	226.9	24.80	232.1	25.02
	16	146.7	15.64	174.5	19.37	202.9	23.27	216.0	24.98	218.7	25.55	223.6	25.67	228.9	25.95
	18	146.7	16.25	174.5	20.25	202.9	24.68	212.7	26.38	215.3	26.87	220.5	26.99	226.3	27.09
	20	146.7	16.86	174.5	21.47	202.9	26.30	210.0	27.91	212.7	28.19	217.8	28.31	223.2	28.41
	21	146.7	17.38	174.5	22.26	202.9	27.22	208.1	28.54	210.8	28.84	216.6	28.94	221.8	29.07
	23	146.7	18.58	174.5	23.80	202.9	29.03	205.6	29.81	208.1	30.16	213.4	30.26	218.7	30.39
	25	146.7	19.85	174.5	25.51	199.8	30.61	202.3	31.16	205.0	31.46	210.8	31.58	216.0	31.71
	27	146.7	21.20	174.5	27.26	197.1	32.17	199.8	32.44	202.3	32.76	207.7	32.89	212.7	33.03
	29	146.7	22.61	174.5	29.11	194.0	33.51	196.6	33.76	199.2	34.08	204.2	34.21	210.0	34.34
	31	146.7	24.09	174.5	31.08	190.8	34.90	194.0	35.04	196.6	35.39	201.9	35.52	206.9	35.68
	33	146.7	25.64	174.5	33.14	188.2	36.17	190.8	36.39	193.2	36.70	198.4	36.84	203.7	37.00
	35	146.7	27.26	174.5	35.34	185.0	37.58	187.4	37.72	190.8	38.02	195.9	38.16	201.1	38.32
	37	146.7	28.48	174.5	36.18	182.3	38.21	185.0	38.47	187.4	38.61	192.6	38.86	197.9	38.95
	39	146.7	29.68	174.0	37.05	179.0	38.89	181.6	39.16	184.2	39.28	190.1	39.52	195.3	39.64
110	10	134.3	12.78	160.2	15.58	186.0	18.50	198.8	20.03	211.8	21.55	228.0	22.43	233.1	22.52
	12	134.3	13.18	160.2	16.11	186.0	19.27	198.8	20.59	211.8	22.36	225.4	23.30	229.8	23.62
	14	134.3	13.60	160.2	16.82	186.0	20.15	198.8	21.61	211.8	23.48	222.2	24.15	227.3	24.67
	16	134.3	14.08	160.2	17.43	186.0	20.98	198.8	22.56	211.8	24.92	219.6	25.51	224.0	25.69
	18	134.3	14.58	160.2	18.17	186.0	22.18	198.8	24.05	211.8	26.38	216.2	26.83	221.5	26.92
	20	134.3	15.11	160.2	19.07	186.0	23.52	198.8	25.63	208.5	27.83	213.9	28.13	218.3	28.23
	21	134.3	15.45	160.2	19.64	186.0	24.37	198.8	26.55	207.3	28.46	211.8	28.79	217.0	28.89
	23	134.3	16.46	160.2	21.06	186.0	26.14	198.8	28.15	204.1	29.81	209.1	30.08	213.9	30.20
	25	134.3	17.59	160.2	22.47	186.0	27.97	198.8	29.82	201.5	31.08	206.0	31.40	211.2	31.52
	27	134.3	18.79	160.2	24.01	186.0	29.94	195.7	31.48	198.4	32.54	203.3	32.70	208.1	32.84
	29	134.3	20.07	160.2	25.64	186.0	31.93	193.0	32.80	195.7	33.86	200.2	34.02	205.4	34.15
	31	134.3	21.33	160.2	27.34	186.0	34.12	189.9	34.26	192.6	35.16	197.6	35.31	202.1	35.46
	33	134.3	22.75	160.2	29.11	184.7	36.03	187.3	35.79	189.9	36.48	194.4	36.62	199.4	36.78
	35	134.3	24.15	160.2	31.08	181.5	37.31	183.9	37.45	186.6	37.80	191.2	37.94	196.3	38.10
	37	134.3	25.11	160.2	32.03	178.9	37.96	181.5	38.02	183.3	38.33	188.6	38.58	193.0	38.68
	39	134.3	26.08	160.2	32.97	175.7	38.55	178.1	38.63	180.8	38.94	185.2	39.16	190.5	39.28
100	10	117.2	12.17	139.5	14.79	162.5	17.55	173.6	18.95	184.7	20.38	207.7	22.68	228.1	22.86
	12	117.2	12.57	139.5	15.39	162.5	18.14	173.6	19.48	184.7	21.02	207.7	23.89	225.0	24.14
	14	117.2	12.97	139.5	16.01	162.5	18.90	173.6	20.32	184.7	21.92	207.7	25.24	222.6	25.46
	16	117.2	13.35	139.5	16.53	162.5	19.71	173.6	21.28	184.7	23.12	207.7	26.44	219.5	26.84
	18	117.2	13.73	139.5	17.15	162.5	20.47	173.6	22.32	184.7	24.50	207.7	27.96	216.4	28.18
	20	117.2	14.23	139.5	17.81	162.5	21.67	173.6	23.92	184.7	26.22	207.7	29.28	213.3	29.53
	21	117.2	14.53	139.5	18.23	162.5	22.40	173.6	24.73	184.7	27.20	207.7	29.95	212.1	30.20
	23	117.2	15.39	139.5	19.49	162.5	24.06	173.6	26.52	184.7	29.14	204.6	31.37	209.4	31.61
	25	117.2	16.35	139.5	20.78	162.5	25.68	173.6	28.38	184.7	31.15	201.9	32.72	205.9	32.96
	27	117.2	17.47	139.5	22.18	162.5	27.48	173.6	30.34	184.7	33.13	198.8	34.25	203.3	34.52
	29	117.2	18.59	139.5	23.69	162.5	29.36	173.6	32.42	184.7	35.06	195.9	35.63	200.2	35.91
	31	117.2	19.88	139.5	25.24	162.5	31.30	173.6	34.58	184.7	36.85	193.0	36.99	197.1	37.31
	33	117.2	21.06	139.5	26.90	162.5	33.40	173.6	36.91	184.7	38.21	190.0	38.39	194.0	38.69
	35	117.2	22.40	139.5	28.60	162.5	35.56	173.6	39.37	182.0	39.61	187.0	39.77	190.9	40.09
	37	117.2	23.30	139.5	29.80	162.5	36.58	173.6	40.05	179.0	40.23	184.1	40.41	188.5	40.77
	39	117.2	24.20	139.5	30.98	162.5	37.53	173.6	40.71	175.9	40.89	181.1	41.03	185.4	41.43

Notes:

1. TC: Total Capacity(kW) PI : Power Input(kW)(Comp. + Outdoor fan motor)
2. Capacity tables show the average value of conditions which may occur.

7. Capacity Tables

Cooling Capacity(62HP)

Combination (%)	Outdoor air temp °C DB	Indoor air temp. (DB/WB, °C)													
		20		23		26		27		28		30		32	
		14		16		18		19		20		22		24	
		TC	PI	TC	PI	TC	PI	TC	PI	TC	PI	TC	PI	TC	PI
90	10	105.4	10.70	125.8	12.91	146.3	15.24	156.3	16.44	166.1	17.69	186.6	19.77	207.1	21.31
	12	105.4	10.90	125.8	13.19	146.3	15.58	156.3	16.80	166.1	18.12	186.6	20.35	207.1	21.99
	14	105.4	11.13	125.8	13.55	146.3	16.01	156.3	17.25	166.1	18.60	186.6	20.83	207.1	22.64
	16	105.4	11.37	125.8	13.83	146.3	16.36	156.3	17.62	166.1	18.97	186.6	21.22	207.1	23.25
	18	105.4	11.62	125.8	14.08	146.3	16.63	156.3	18.03	166.1	19.36	186.6	21.69	207.1	24.44
	20	105.4	11.82	125.8	14.35	146.3	16.96	156.3	18.36	166.1	20.10	186.6	23.19	207.1	25.60
	21	105.4	11.95	125.8	14.48	146.3	17.30	156.3	18.97	166.1	20.83	186.6	24.06	207.1	26.19
	23	105.4	12.21	125.8	15.09	146.3	18.50	156.3	20.37	166.1	22.30	186.6	25.79	204.2	27.41
	25	105.4	12.81	125.8	16.08	146.3	19.77	156.3	21.77	166.1	23.83	186.6	27.57	201.3	28.60
	27	105.4	13.69	125.8	17.16	146.3	21.09	156.3	23.23	166.1	25.51	186.6	29.19	198.4	29.94
	29	105.4	14.48	125.8	18.28	146.3	22.57	156.3	24.83	166.1	27.24	186.6	30.97	195.3	31.14
	31	105.4	15.42	125.8	19.49	146.3	24.02	156.3	26.45	166.1	29.03	186.6	32.18	192.6	32.34
	33	105.4	16.42	125.8	20.75	146.3	25.65	156.3	28.18	166.1	30.80	186.6	33.40	189.5	33.55
	35	105.4	17.42	125.8	22.02	146.3	27.24	156.3	30.04	166.1	32.66	183.3	34.61	186.5	34.76
	37	105.4	18.50	125.8	23.43	146.3	29.04	156.3	31.92	166.1	34.33	180.4	35.63	183.7	35.78
	39	105.4	19.58	125.8	24.92	146.3	30.74	156.3	33.64	166.1	35.74	177.5	36.64	180.6	36.80
80	10	93.6	10.34	111.6	12.43	129.6	14.59	138.9	15.75	148.2	16.90	166.1	19.24	184.2	20.45
	12	93.6	10.56	111.6	12.58	129.6	14.88	138.9	16.03	148.2	17.17	166.1	19.62	184.2	21.07
	14	93.6	10.70	111.6	12.86	129.6	15.10	138.9	16.31	148.2	17.46	166.1	19.98	184.2	21.69
	16	93.6	10.86	111.6	13.08	129.6	15.38	138.9	16.59	148.2	17.83	166.1	20.41	184.2	22.16
	18	93.6	11.06	111.6	13.30	129.6	15.67	138.9	16.90	148.2	18.19	166.1	20.78	184.2	22.63
	20	93.6	11.28	111.6	13.58	129.6	16.03	138.9	17.24	148.2	18.53	166.1	21.56	184.2	24.23
	21	93.6	11.34	111.6	13.73	129.6	16.17	138.9	17.46	148.2	18.98	166.1	22.24	184.2	25.11
	23	93.6	11.57	111.6	13.95	129.6	16.90	138.9	18.53	148.2	20.27	166.1	23.49	184.2	26.87
	25	93.6	12.00	111.6	14.88	129.6	18.11	138.9	19.82	148.2	21.70	166.1	25.11	184.2	28.41
	27	93.6	12.72	111.6	15.80	129.6	19.34	138.9	21.19	148.2	23.14	166.1	26.71	184.2	29.87
	29	93.6	13.50	111.6	16.90	129.6	20.55	138.9	22.57	148.2	24.72	166.1	28.61	184.2	31.14
	31	93.6	14.38	111.6	17.89	129.6	21.93	138.9	24.08	148.2	26.30	166.1	30.36	184.2	32.34
	33	93.6	15.24	111.6	19.12	129.6	23.36	138.9	25.66	148.2	28.02	166.1	31.98	184.2	33.55
	35	93.6	16.17	111.6	20.27	129.6	24.87	138.9	27.31	148.2	29.89	166.1	33.84	182.1	34.76
	37	93.6	17.09	111.6	21.56	129.6	26.36	138.9	29.03	148.2	31.76	166.1	35.31	179.3	35.78
	39	93.6	18.07	111.6	22.77	129.6	27.92	138.9	30.59	148.2	33.81	166.1	36.43	176.3	36.80
70	10	81.9	9.33	97.9	11.09	113.4	12.86	121.5	13.87	129.6	14.83	145.1	16.90	161.2	18.90
	12	81.9	9.46	97.9	11.23	113.4	13.14	121.5	14.09	129.6	15.14	145.1	17.18	161.2	19.24
	14	81.9	9.62	97.9	11.37	113.4	13.37	121.5	14.32	129.6	15.35	145.1	17.55	161.2	19.59
	16	81.9	9.77	97.9	11.60	113.4	13.59	121.5	14.63	129.6	15.64	145.1	17.86	161.2	20.03
	18	81.9	9.91	97.9	11.82	113.4	13.87	121.5	14.91	129.6	15.95	145.1	18.13	161.2	20.37
	20	81.9	10.05	97.9	12.05	113.4	14.09	121.5	15.19	129.6	16.31	145.1	18.58	161.2	21.14
	21	81.9	10.22	97.9	12.13	113.4	14.24	121.5	15.35	129.6	16.46	145.1	18.87	161.2	21.82
	23	81.9	10.36	97.9	12.41	113.4	14.54	121.5	15.86	129.6	17.26	145.1	20.19	161.2	23.04
	25	81.9	10.50	97.9	12.86	113.4	15.50	121.5	16.96	129.6	18.44	145.1	21.59	161.2	24.64
	27	81.9	11.09	97.9	13.74	113.4	16.54	121.5	18.00	129.6	19.68	145.1	23.05	161.2	26.19
	29	81.9	11.82	97.9	14.54	113.4	17.55	121.5	19.18	129.6	20.93	145.1	24.60	161.2	28.06
	31	81.9	12.55	97.9	15.50	113.4	18.73	121.5	20.50	129.6	22.33	145.1	26.22	161.2	29.78
	33	81.9	13.29	97.9	16.37	113.4	19.90	121.5	21.73	129.6	23.73	145.1	27.91	161.2	31.38
	35	81.9	14.03	97.9	17.49	113.4	21.14	121.5	23.14	129.6	25.27	145.1	29.73	161.2	33.27
	37	81.9	14.91	97.9	18.50	113.4	22.46	121.5	24.60	129.6	26.87	145.1	31.65	161.2	34.98
	39	81.9	15.68	97.9	19.55	113.4	23.78	121.5	25.96	129.6	28.47	145.1	33.54	161.2	36.19
60	10	70.0	8.25	83.7	9.68	97.4	11.26	104.1	12.08	111.0	12.83	124.6	14.55	138.2	16.28
	12	70.0	8.40	83.7	9.83	97.4	11.40	104.1	12.22	111.0	13.05	124.6	14.77	138.2	16.57
	14	70.0	8.48	83.7	9.97	97.4	11.63	104.1	12.47	111.0	13.28	124.6	15.08	138.2	16.88
	16	70.0	8.62	83.7	10.20	97.4	11.77	104.1	12.68	111.0	13.59	124.6	15.39	138.2	17.19
	18	70.0	8.79	83.7	10.36	97.4	12.00	104.1	12.91	111.0	13.82	124.6	15.61	138.2	17.56
	20	70.0	8.93	83.7	10.51	97.4	12.22	104.1	13.14	111.0	14.04	124.6	15.90	138.2	17.94
	21	70.0	9.01	83.7	10.59	97.4	12.39	104.1	13.28	111.0	14.19	124.6	16.12	138.2	18.08
	23	70.0	9.16	83.7	10.81	97.4	12.53	104.1	13.51	111.0	14.48	124.6	16.73	138.2	19.21
	25	70.0	9.29	83.7	11.03	97.4	13.05	104.1	14.19	111.0	15.39	124.6	17.86	138.2	20.56
	27	70.0	9.60	83.7	11.63	97.4	13.88	104.1	15.08	111.0	16.34	124.6	18.99	138.2	21.91
	29	70.0	10.20	83.7	12.39	97.4	14.77	104.1	16.06	111.0	17.41	124.6	20.25	138.2	23.42
	31	70.0	10.81	83.7	13.14	97.4	15.68	104.1	17.10	111.0	18.53	124.6	21.60	138.2	24.91
	33	70.0	11.40	83.7	13.88	97.4	16.65	104.1	18.16	111.0	19.74	124.6	22.96	138.2	26.56
	35	70.0	12.08	83.7	14.77	97.4	17.71	104.1	19.29	111.0	20.93	124.6	24.45	138.2	28.22
	37	70.0	12.75	83.7	15.61	97.4	18.76	104.1	20.48	111.0	22.21	124.6	25.96	138.2	30.02
	39	70.0	13.43	83.7	16.44	97.4	19.84	104.1	21.76	111.0	23.43	124.6	27.56	138.2	31.83

Notes:

1. TC: Total Capacity(kW) PI : Power Input(kW)(Comp. + Outdoor fan motor)
2. Capacity tables show the average value of conditions which may occur.

7. Capacity Tables

Cooling Capacity(62HP)

Combination (%)	Outdoor air temp °C DB	Indoor air temp. (DB/WB, °C)													
		20		23		26		27		28		30		32	
		14		16		18		19		20		22		24	
		TC	PI	TC	PI	TC	PI	TC	PI	TC	PI	TC	PI	TC	PI
50	10	58.5	7.27	70.0	8.43	81.2	9.58	86.8	10.28	92.4	10.88	103.6	12.25	115.3	13.64
	12	58.5	7.35	70.0	8.51	81.2	9.72	86.8	10.42	92.4	11.11	103.6	12.50	115.3	13.87
	14	58.5	7.44	70.0	8.66	81.2	9.89	86.8	10.57	92.4	11.26	103.6	12.64	115.3	14.10
	16	58.5	7.58	70.0	8.82	81.2	10.03	86.8	10.81	92.4	11.40	103.6	12.87	115.3	14.33
	18	58.5	7.66	70.0	8.88	81.2	10.19	86.8	10.95	92.4	11.65	103.6	13.09	115.3	14.64
	20	58.5	7.75	70.0	9.04	81.2	10.42	86.8	11.11	92.4	11.88	103.6	13.33	115.3	14.94
	21	58.5	7.81	70.0	9.12	81.2	10.50	86.8	11.26	92.4	11.96	103.6	13.48	115.3	15.08
	23	58.5	7.97	70.0	9.27	81.2	10.65	86.8	11.40	92.4	12.19	103.6	13.71	115.3	15.39
	25	58.5	8.04	70.0	9.43	81.2	10.88	86.8	11.65	92.4	12.56	103.6	14.41	115.3	16.47
	27	58.5	8.20	70.0	9.72	81.2	11.49	86.8	12.42	92.4	13.33	103.6	15.39	115.3	17.55
	29	58.5	8.66	70.0	10.34	81.2	12.19	86.8	13.17	92.4	14.18	103.6	16.32	115.3	18.62
	31	58.5	9.12	70.0	10.95	81.2	12.94	86.8	13.93	92.4	15.08	103.6	17.38	115.3	19.83
	33	58.5	9.66	70.0	11.57	81.2	13.71	86.8	14.78	92.4	16.01	103.6	18.46	115.3	21.14
	35	58.5	10.19	70.0	12.25	81.2	14.49	86.8	15.70	92.4	16.93	103.6	19.54	115.3	22.45
	37	58.5	10.81	70.0	12.94	81.2	15.33	86.8	16.63	92.4	17.92	103.6	20.83	115.3	23.82
39	58.5	11.30	70.0	13.61	81.2	16.26	86.8	17.55	92.4	18.85	103.6	21.99	115.3	25.23	

Notes:

1. TC: Total Capacity(kW) PI : Power Input(kW)(Comp. + Outdoor fan motor)
2. Capacity tables show the average value of conditions which may occur.

7. Capacity Tables

ARUB640LTE4

Cooling Capacity(64HP)

Combination (%)	Outdoor air temp °C DB	Indoor air temp. (DB/WB, °C)													
		20		23		26		27		28		30		32	
		14		16		18		19		20		22		24	
		TC	PI	TC	PI	TC	PI	TC	PI	TC	PI	TC	PI	TC	PI
130	10	163.8	15.56	195.2	19.02	226.4	22.04	235.0	22.48	237.8	22.74	243.8	22.86	249.6	23.00
	12	163.8	15.94	195.2	19.68	226.4	22.96	231.8	23.10	235.8	23.56	240.4	23.78	246.4	23.90
	14	163.8	16.48	195.2	20.40	225.8	23.82	229.0	24.00	231.8	24.40	237.8	24.64	243.8	24.82
	16	163.8	17.08	195.2	21.10	223.2	24.90	225.8	25.12	228.4	25.30	234.4	25.54	240.4	25.76
	18	163.8	17.78	195.2	22.34	219.8	26.24	222.6	26.44	225.8	26.60	231.8	26.72	237.8	26.88
	20	163.8	18.58	195.2	23.78	216.4	27.48	220.2	27.72	222.6	27.88	228.4	28.02	234.4	28.20
	21	163.8	19.06	195.2	24.64	215.2	28.10	218.4	28.40	221.2	28.54	227.2	28.68	233.2	28.84
	23	163.8	20.46	195.2	26.42	212.4	29.30	215.2	29.60	218.4	29.84	223.6	30.00	229.8	30.16
	25	163.8	21.84	195.2	28.24	209.0	30.62	212.6	30.92	215.2	31.12	221.2	31.30	227.2	31.48
	27	163.8	23.38	195.2	30.18	206.6	31.94	209.0	32.16	212.6	32.42	218.4	32.60	223.6	32.78
	29	163.8	24.90	195.2	32.28	203.0	33.26	206.2	33.50	209.0	33.72	215.2	33.90	221.2	34.10
	31	163.8	26.58	194.4	33.98	199.8	34.58	203.0	34.82	206.2	35.02	211.8	35.20	217.6	35.40
	33	163.8	28.32	191.2	35.28	197.0	35.92	200.2	36.14	203.0	36.32	209.0	36.50	214.4	36.72
	35	163.8	30.18	187.8	36.58	193.8	37.22	197.0	37.48	200.2	37.62	205.8	37.80	211.8	38.04
	37	163.8	31.26	185.2	37.28	191.2	37.96	193.8	38.26	197.0	38.40	202.4	38.52	208.4	38.82
	39	163.8	32.32	181.8	38.04	187.8	38.72	191.2	39.00	193.8	39.14	199.8	39.26	205.8	39.56
120	10	151.4	14.00	180.2	17.16	209.4	20.40	224.4	22.04	235.0	22.38	240.4	22.48	245.6	22.56
	12	151.4	14.36	180.2	17.72	209.4	21.20	224.4	22.48	231.6	23.22	236.8	23.48	242.2	23.60
	14	151.4	14.86	180.2	18.34	209.4	22.06	224.4	23.34	228.2	24.04	234.2	24.42	239.6	24.64
	16	151.4	15.40	180.2	19.08	209.4	22.92	223.0	24.60	225.8	25.16	230.8	25.28	236.2	25.56
	18	151.4	16.00	180.2	19.94	209.4	24.30	219.6	25.98	222.2	26.46	227.6	26.58	233.6	26.68
	20	151.4	16.60	180.2	21.14	209.4	25.90	216.8	27.48	219.6	27.76	224.8	27.88	230.4	27.98
	21	151.4	17.12	180.2	21.92	209.4	26.80	214.8	28.10	217.6	28.40	223.6	28.50	229.0	28.62
	23	151.4	18.30	180.2	23.44	209.4	28.58	212.2	29.36	214.8	29.70	220.2	29.80	225.8	29.92
	25	151.4	19.54	180.2	25.12	206.2	30.14	208.8	30.68	211.6	30.98	217.6	31.10	223.0	31.22
	27	151.4	20.88	180.2	26.84	203.4	31.68	206.2	31.94	208.8	32.26	214.4	32.38	219.6	32.52
	29	151.4	22.26	180.2	28.66	200.2	33.00	203.0	33.24	205.6	33.56	210.8	33.68	216.8	33.82
	31	151.4	23.72	180.2	30.60	197.0	34.36	200.2	34.50	203.0	34.84	208.4	34.98	213.6	35.14
	33	151.4	25.24	180.2	32.64	194.2	35.62	197.0	35.84	199.4	36.14	204.8	36.28	210.2	36.44
	35	151.4	26.84	180.2	34.80	191.0	37.00	193.4	37.14	197.0	37.44	202.2	37.58	207.6	37.74
	37	151.4	28.44	180.2	35.62	188.2	37.62	191.0	37.88	193.4	38.02	198.8	38.26	204.2	38.36
	39	151.4	29.02	179.6	36.48	184.8	38.30	187.4	38.56	190.2	38.68	196.2	38.92	201.6	39.04
110	10	138.6	12.58	165.4	15.34	192.0	18.22	205.2	19.72	218.6	21.22	235.4	22.08	240.6	22.18
	12	138.6	12.98	165.4	15.86	192.0	18.98	205.2	20.28	218.6	22.02	232.6	22.94	237.2	23.26
	14	138.6	13.40	165.4	16.56	192.0	19.84	205.2	21.28	218.6	23.12	229.4	23.78	234.6	24.30
	16	138.6	13.86	165.4	17.16	192.0	20.66	205.2	22.22	218.6	24.54	226.6	25.12	231.2	25.30
	18	138.6	14.36	165.4	17.90	192.0	21.84	205.2	23.68	218.6	25.98	223.2	26.42	228.6	26.50
	20	138.6	14.88	165.4	18.78	192.0	23.16	205.2	25.24	215.2	27.40	220.8	27.70	225.4	27.80
	21	138.6	15.22	165.4	19.34	192.0	24.00	205.2	26.14	214.0	28.02	218.6	28.34	224.0	28.44
	23	138.6	16.20	165.4	20.74	192.0	25.74	205.2	27.72	210.6	29.36	215.8	29.62	220.8	29.74
	25	138.6	17.32	165.4	22.12	192.0	27.54	205.2	29.36	208.0	30.60	212.6	30.92	218.0	31.04
	27	138.6	18.50	165.4	23.64	192.0	29.48	202.0	31.00	204.8	32.04	209.8	32.20	214.8	32.34
	29	138.6	19.76	165.4	25.24	192.0	31.44	199.2	32.30	202.0	33.34	206.6	33.50	212.0	33.62
	31	138.6	21.00	165.4	26.92	192.0	33.60	196.0	33.74	198.8	34.62	204.0	34.76	208.6	34.92
	33	138.6	22.40	165.4	28.66	190.6	35.48	193.4	35.24	196.0	35.92	200.6	36.06	205.8	36.22
	35	138.6	23.78	165.4	30.60	187.4	36.74	189.8	36.88	192.6	37.22	197.4	37.36	202.6	37.52
	37	138.6	24.72	165.4	31.54	184.6	37.38	187.4	37.44	189.2	37.74	194.6	37.98	199.2	38.08
	39	138.6	25.68	165.4	32.46	181.4	37.96	183.8	38.04	186.6	38.34	191.2	38.56	196.6	38.68
100	10	121.0	12.18	144.0	14.80	167.8	17.56	179.2	18.96	190.6	20.40	214.4	22.70	235.4	22.88
	12	121.0	12.58	144.0	15.40	167.8	18.16	179.2	19.50	190.6	21.04	214.4	23.90	232.2	24.16
	14	121.0	12.98	144.0	16.02	167.8	18.92	179.2	20.34	190.6	21.94	214.4	25.26	229.8	25.48
	16	121.0	13.36	144.0	16.54	167.8	19.72	179.2	21.30	190.6	23.14	214.4	26.46	226.6	26.86
	18	121.0	13.74	144.0	17.16	167.8	20.48	179.2	22.34	190.6	24.52	214.4	27.98	223.4	28.20
	20	121.0	14.24	144.0	17.82	167.8	21.68	179.2	23.94	190.6	26.24	214.4	29.30	220.2	29.56
	21	121.0	14.54	144.0	18.24	167.8	22.42	179.2	24.74	190.6	27.22	214.4	29.98	219.0	30.22
	23	121.0	15.40	144.0	19.50	167.8	24.08	179.2	26.54	190.6	29.16	211.2	31.40	216.2	31.64
	25	121.0	16.36	144.0	20.80	167.8	25.70	179.2	28.40	190.6	31.18	208.4	32.74	212.6	32.98
	27	121.0	17.48	144.0	22.20	167.8	27.50	179.2	30.36	190.6	33.16	205.2	34.28	209.8	34.54
	29	121.0	18.60	144.0	23.70	167.8	29.38	179.2	32.44	190.6	35.08	202.2	35.66	206.6	35.94
	31	121.0	19.90	144.0	25.26	167.8	31.32	179.2	34.60	190.6	36.88	199.2	37.02	203.4	37.34
	33	121.0	21.08	144.0	26.92	167.8	33.42	179.2	36.94	190.6	38.24	196.2	38.42	200.2	38.72
	35	121.0	22.42	144.0	28.62	167.8	35.58	179.2	39.40	187.8	39.64	193.0	39.80	197.0	40.12
	37	121.0	23.32	144.0	29.82	167.8	36.60	179.2	40.08	184.8	40.26	190.0	40.44	194.6	40.80
	39	121.0	24.22	144.0	31.00	167.8	37.56	179.2	40.74	181.6	40.92	187.0	41.06	191.4	41.46

Notes:
 1. TC: Total Capacity(kW) PI : Power Input(kW)(Comp. + Outdoor fan motor)
 2. Capacity tables show the average value of conditions which may occur.

7. Capacity Tables

Cooling Capacity(64HP)

Combination (%)	Outdoor air temp °C DB	Indoor air temp. (DB/WB, °C)													
		20		23		26		27		28		30		32	
		14		16		18		19		20		22		24	
		TC	PI	TC	PI	TC	PI	TC	PI	TC	PI	TC	PI	TC	PI
90	10	108.8	10.74	129.8	13.00	151.0	15.38	161.4	16.60	171.4	17.86	192.6	19.92	213.8	20.98
	12	108.8	11.00	129.8	13.38	151.0	15.80	161.4	17.00	171.4	18.34	192.6	20.70	213.8	21.78
	14	108.8	11.28	129.8	13.82	151.0	16.32	161.4	17.56	171.4	18.96	192.6	21.26	213.8	22.64
	16	108.8	11.56	129.8	14.12	151.0	16.70	161.4	17.98	171.4	19.36	192.6	21.66	213.8	23.48
	18	108.8	11.86	129.8	14.38	151.0	16.98	161.4	18.40	171.4	19.76	192.6	22.14	213.8	24.68
	20	108.8	12.06	129.8	14.64	151.0	17.32	161.4	18.74	171.4	20.52	192.6	23.68	213.8	25.86
	21	108.8	12.20	129.8	14.78	151.0	17.66	161.4	19.36	171.4	21.26	192.6	24.56	213.8	26.44
	23	108.8	12.46	129.8	15.40	151.0	18.88	161.4	20.80	171.4	22.76	192.6	26.32	210.8	27.68
	25	108.8	13.08	129.8	16.42	151.0	20.18	161.4	22.22	171.4	24.32	192.6	28.14	207.8	28.88
	27	108.8	13.98	129.8	17.52	151.0	21.52	161.4	23.72	171.4	26.04	192.6	29.68	204.8	30.24
	29	108.8	14.78	129.8	18.66	151.0	23.04	161.4	25.34	171.4	27.80	192.6	31.24	201.6	31.44
	31	108.8	15.74	129.8	19.90	151.0	24.52	161.4	27.00	171.4	29.64	192.6	32.46	198.8	32.66
	33	108.8	16.76	129.8	21.18	151.0	26.18	161.4	28.76	171.4	31.44	192.6	33.68	195.6	33.88
	35	108.8	17.78	129.8	22.48	151.0	27.80	161.4	30.66	171.4	33.34	189.2	34.90	192.6	35.10
37	108.8	18.88	129.8	23.92	151.0	29.64	161.4	32.58	171.4	34.90	186.2	35.74	189.6	35.96	
39	108.8	19.98	129.8	25.44	151.0	31.38	161.4	34.34	171.4	35.98	183.2	36.58	186.4	36.80	
80	10	96.6	10.58	115.2	12.74	133.8	14.96	143.4	16.14	153.0	17.32	171.4	19.70	190.2	20.52
	12	96.6	10.82	115.2	12.90	133.8	15.26	143.4	16.44	153.0	17.60	171.4	20.12	190.2	21.34
	14	96.6	10.96	115.2	13.18	133.8	15.48	143.4	16.72	153.0	17.90	171.4	20.48	190.2	22.18
	16	96.6	11.14	115.2	13.40	133.8	15.76	143.4	17.00	153.0	18.28	171.4	20.92	190.2	22.72
	18	96.6	11.34	115.2	13.64	133.8	16.06	143.4	17.32	153.0	18.64	171.4	21.30	190.2	23.20
	20	96.6	11.56	115.2	13.92	133.8	16.44	143.4	17.68	153.0	19.00	171.4	22.10	190.2	24.84
	21	96.6	11.62	115.2	14.08	133.8	16.58	143.4	17.90	153.0	19.46	171.4	22.80	190.2	25.74
	23	96.6	11.86	115.2	14.30	133.8	17.32	143.4	19.00	153.0	20.78	171.4	24.08	190.2	27.50
	25	96.6	12.30	115.2	15.26	133.8	18.56	143.4	20.32	153.0	22.24	171.4	25.74	190.2	28.88
	27	96.6	13.04	115.2	16.20	133.8	19.82	143.4	21.72	153.0	23.72	171.4	27.38	190.2	30.24
	29	96.6	13.84	115.2	17.32	133.8	21.06	143.4	23.14	153.0	25.34	171.4	29.32	190.2	31.44
	31	96.6	14.74	115.2	18.34	133.8	22.48	143.4	24.68	153.0	26.96	171.4	31.12	190.2	32.66
	33	96.6	15.62	115.2	19.60	133.8	23.94	143.4	26.30	153.0	28.72	171.4	32.78	190.2	33.88
	35	96.6	16.58	115.2	20.78	133.8	25.50	143.4	28.00	153.0	30.64	171.4	34.62	188.0	35.10
37	96.6	17.52	115.2	22.10	133.8	27.02	143.4	29.76	153.0	32.56	171.4	35.74	185.0	35.96	
39	96.6	18.52	115.2	23.34	133.8	28.62	143.4	31.36	153.0	34.66	171.4	36.58	182.0	36.80	
70	10	84.6	9.60	101.0	11.42	117.0	13.24	125.4	14.28	133.8	15.26	149.8	17.40	166.4	19.46
	12	84.6	9.74	101.0	11.56	117.0	13.52	125.4	14.50	133.8	15.58	149.8	17.68	166.4	19.80
	14	84.6	9.90	101.0	11.70	117.0	13.76	125.4	14.74	133.8	15.80	149.8	18.06	166.4	20.16
	16	84.6	10.06	101.0	11.94	117.0	13.98	125.4	15.06	133.8	16.10	149.8	18.38	166.4	20.62
	18	84.6	10.20	101.0	12.16	117.0	14.28	125.4	15.34	133.8	16.42	149.8	18.66	166.4	20.96
	20	84.6	10.34	101.0	12.40	117.0	14.50	125.4	15.64	133.8	16.78	149.8	19.12	166.4	21.76
	21	84.6	10.52	101.0	12.48	117.0	14.66	125.4	15.80	133.8	16.94	149.8	19.42	166.4	22.46
	23	84.6	10.66	101.0	12.78	117.0	14.96	125.4	16.32	133.8	17.76	149.8	20.78	166.4	23.72
	25	84.6	10.80	101.0	13.24	117.0	15.96	125.4	17.46	133.8	18.98	149.8	22.22	166.4	25.36
	27	84.6	11.42	101.0	14.14	117.0	17.02	125.4	18.52	133.8	20.26	149.8	23.72	166.4	26.96
	29	84.6	12.16	101.0	14.96	117.0	18.06	125.4	19.74	133.8	21.54	149.8	25.32	166.4	28.88
	31	84.6	12.92	101.0	15.96	117.0	19.28	125.4	21.10	133.8	22.98	149.8	26.98	166.4	30.64
	33	84.6	13.68	101.0	16.84	117.0	20.48	125.4	22.36	133.8	24.42	149.8	28.72	166.4	32.30
	35	84.6	14.44	101.0	18.00	117.0	21.76	125.4	23.82	133.8	26.00	149.8	30.60	166.4	34.24
37	84.6	15.34	101.0	19.04	117.0	23.12	125.4	25.32	133.8	27.66	149.8	32.58	166.4	35.86	
39	84.6	16.14	101.0	20.12	117.0	24.48	125.4	26.72	133.8	29.30	149.8	34.52	166.4	36.80	
60	10	72.2	8.52	86.4	10.00	100.6	11.64	107.4	12.48	114.6	13.26	128.6	15.04	142.6	16.82
	12	72.2	8.68	86.4	10.16	100.6	11.78	107.4	12.62	114.6	13.48	128.6	15.26	142.6	17.12
	14	72.2	8.76	86.4	10.30	100.6	12.02	107.4	12.88	114.6	13.72	128.6	15.58	142.6	17.44
	16	72.2	8.90	86.4	10.54	100.6	12.16	107.4	13.10	114.6	14.04	128.6	15.90	142.6	17.76
	18	72.2	9.08	86.4	10.70	100.6	12.40	107.4	13.34	114.6	14.28	128.6	16.12	142.6	18.14
	20	72.2	9.22	86.4	10.86	100.6	12.62	107.4	13.58	114.6	14.50	128.6	16.42	142.6	18.54
	21	72.2	9.30	86.4	10.94	100.6	12.80	107.4	13.72	114.6	14.66	128.6	16.66	142.6	18.68
	23	72.2	9.46	86.4	11.16	100.6	12.94	107.4	13.96	114.6	14.96	128.6	17.28	142.6	19.84
	25	72.2	9.60	86.4	11.40	100.6	13.48	107.4	14.66	114.6	15.90	128.6	18.46	142.6	21.24
	27	72.2	9.92	86.4	12.02	100.6	14.34	107.4	15.58	114.6	16.88	128.6	19.62	142.6	22.64
	29	72.2	10.54	86.4	12.80	100.6	15.26	107.4	16.60	114.6	17.98	128.6	20.92	142.6	24.20
	31	72.2	11.16	86.4	13.58	100.6	16.20	107.4	17.66	114.6	19.14	128.6	22.32	142.6	25.74
	33	72.2	11.78	86.4	14.34	100.6	17.20	107.4	18.76	114.6	20.40	128.6	23.72	142.6	27.44
	35	72.2	12.48	86.4	15.26	100.6	18.30	107.4	19.92	114.6	21.62	128.6	25.26	142.6	29.16
37	72.2	13.18	86.4	16.12	100.6	19.38	107.4	21.16	114.6	22.94	128.6	26.82	142.6	31.02	
39	72.2	13.88	86.4	16.98	100.6	20.50	107.4	22.48	114.6	24.20	128.6	28.48	142.6	32.88	

Notes:

1. TC: Total Capacity(kW) PI : Power Input(kW)(Comp. + Outdoor fan motor)
2. Capacity tables show the average value of conditions which may occur.

7. Capacity Tables

Cooling Capacity(64HP)

Combination (%)	Outdoor air temp °C DB	Indoor air temp. (DB/WB, °C)													
		20		23		26		27		28		30		32	
		14		16		18		19		20		22		24	
		TC	PI	TC	PI	TC	PI	TC	PI	TC	PI	TC	PI	TC	PI
50	10	60.4	7.54	72.2	8.74	83.8	9.94	89.6	10.66	95.4	11.28	107.0	12.70	119.0	14.14
	12	60.4	7.62	72.2	8.82	83.8	10.08	89.6	10.80	95.4	11.52	107.0	12.96	119.0	14.38
	14	60.4	7.72	72.2	8.98	83.8	10.26	89.6	10.96	95.4	11.68	107.0	13.10	119.0	14.62
	16	60.4	7.86	72.2	9.14	83.8	10.40	89.6	11.20	95.4	11.82	107.0	13.34	119.0	14.86
	18	60.4	7.94	72.2	9.20	83.8	10.56	89.6	11.36	95.4	12.08	107.0	13.58	119.0	15.18
	20	60.4	8.04	72.2	9.38	83.8	10.80	89.6	11.52	95.4	12.32	107.0	13.82	119.0	15.50
	21	60.4	8.10	72.2	9.46	83.8	10.88	89.6	11.68	95.4	12.40	107.0	13.98	119.0	15.64
	23	60.4	8.26	72.2	9.62	83.8	11.04	89.6	11.82	95.4	12.64	107.0	14.22	119.0	15.96
	25	60.4	8.34	72.2	9.78	83.8	11.28	89.6	12.08	95.4	13.02	107.0	14.94	119.0	17.08
	27	60.4	8.50	72.2	10.08	83.8	11.92	89.6	12.88	95.4	13.82	107.0	15.96	119.0	18.20
	29	60.4	8.98	72.2	10.72	83.8	12.64	89.6	13.66	95.4	14.70	107.0	16.92	119.0	19.30
	31	60.4	9.46	72.2	11.36	83.8	13.42	89.6	14.44	95.4	15.64	107.0	18.02	119.0	20.56
	33	60.4	10.02	72.2	12.00	83.8	14.22	89.6	15.32	95.4	16.60	107.0	19.14	119.0	21.92
	35	60.4	10.56	72.2	12.70	83.8	15.02	89.6	16.28	95.4	17.56	107.0	20.26	119.0	23.28
	37	60.4	11.20	72.2	13.42	83.8	15.90	89.6	17.24	95.4	18.58	107.0	21.60	119.0	24.70
39	60.4	11.72	72.2	14.12	83.8	16.86	89.6	18.20	95.4	19.54	107.0	22.80	119.0	26.16	

Notes:

1. TC: Total Capacity(kW) PI : Power Input(kW)(Comp. + Outdoor fan motor)
2. Capacity tables show the average value of conditions which may occur.

7. Capacity Tables

ARUB660LTE4

Cooling Capacity(66HP)

Combination (%)	Outdoor air temp °C DB	Indoor air temp. (DB/WB, °C)													
		20		23		26		27		28		30		32	
		14		16		18		19		20		22		24	
		TC	PI	TC	PI	TC	PI	TC	PI	TC	PI	TC	PI	TC	PI
130	10	169.0	16.38	201.3	20.02	233.5	23.21	242.4	23.67	245.2	23.94	251.4	24.07	257.4	24.21
	12	169.0	16.78	201.3	20.73	233.5	24.17	239.0	24.33	243.1	24.80	247.9	25.04	254.1	25.16
	14	169.0	17.35	201.3	21.48	232.8	25.08	236.2	25.27	239.0	25.70	245.2	25.94	251.4	26.14
	16	169.0	17.98	201.3	22.22	230.2	26.21	232.8	26.45	235.5	26.64	241.7	26.89	247.9	27.12
	18	169.0	18.73	201.3	23.52	226.6	27.62	229.5	27.84	232.8	28.01	239.0	28.14	245.2	28.30
	20	169.0	19.56	201.3	25.04	223.2	28.93	227.1	29.19	229.5	29.36	235.5	29.51	241.7	29.69
	21	169.0	20.07	201.3	25.94	221.9	29.59	225.2	29.90	228.1	30.05	234.3	30.20	240.5	30.37
	23	169.0	21.54	201.3	27.82	219.0	30.85	221.9	31.16	225.2	31.42	230.6	31.58	236.9	31.75
	25	169.0	23.00	201.3	29.74	215.6	32.24	219.2	32.56	221.9	32.77	228.1	32.95	234.3	33.15
	27	169.0	24.61	201.3	31.78	213.0	33.63	215.6	33.87	219.2	34.14	225.2	34.32	230.6	34.52
	29	169.0	26.22	201.3	33.98	209.4	35.03	212.6	35.27	215.6	35.51	221.9	35.69	228.1	35.90
	31	169.0	27.98	200.5	35.78	206.0	36.41	209.4	36.67	212.6	36.87	218.4	37.06	224.4	37.27
	33	169.0	29.82	197.2	37.15	203.2	37.82	206.5	38.05	209.4	38.24	215.6	38.44	221.1	38.67
	35	169.0	31.78	193.6	38.52	199.8	39.19	203.2	39.46	206.5	39.61	212.2	39.81	218.4	40.05
	37	169.0	32.91	191.0	39.26	197.2	39.97	199.8	40.29	203.2	40.44	208.7	40.56	214.9	40.87
	39	169.0	34.03	187.5	40.05	193.6	40.77	197.2	41.07	199.8	41.21	206.0	41.34	212.2	41.65
120	10	156.2	14.74	185.8	18.07	216.0	21.47	231.4	23.20	242.3	23.56	247.9	23.67	253.3	23.75
	12	156.2	15.12	185.8	18.66	216.0	22.33	231.4	23.67	238.8	24.45	244.2	24.73	249.8	24.84
	14	156.2	15.64	185.8	19.31	216.0	23.23	231.4	24.58	235.4	25.32	241.6	25.71	247.1	25.94
	16	156.2	16.22	185.8	20.09	216.0	24.13	229.9	25.90	232.8	26.49	238.0	26.61	243.6	26.91
	18	156.2	16.85	185.8	21.00	216.0	25.59	226.5	27.35	229.2	27.86	234.7	27.98	240.9	28.09
	20	156.2	17.48	185.8	22.26	216.0	27.27	223.6	28.93	226.5	29.23	231.8	29.35	237.6	29.46
	21	156.2	18.02	185.8	23.08	216.0	28.22	221.5	29.59	224.4	29.90	230.6	30.01	236.1	30.14
	23	156.2	19.27	185.8	24.68	216.0	30.10	218.9	30.91	221.5	31.27	227.1	31.38	232.8	31.51
	25	156.2	20.58	185.8	26.45	212.7	31.74	215.3	32.30	218.2	32.61	224.4	32.75	229.9	32.88
	27	156.2	21.98	185.8	28.26	209.8	33.35	212.7	33.63	215.3	33.97	221.1	34.10	226.5	34.25
	29	156.2	23.44	185.8	30.18	206.5	34.75	209.3	35.00	212.0	35.34	217.4	35.47	223.6	35.61
	31	156.2	24.97	185.8	32.22	203.1	36.18	206.5	36.33	209.3	36.69	214.9	36.83	220.3	36.99
	33	156.2	26.58	185.8	34.36	200.3	37.50	203.1	37.73	205.7	38.05	211.2	38.20	216.8	38.36
	35	156.2	28.26	185.8	36.64	196.9	38.96	199.5	39.11	203.1	39.42	208.6	39.57	214.1	39.73
	37	156.2	29.52	185.8	37.51	194.0	39.62	196.9	39.89	199.5	40.04	205.0	40.29	210.6	40.39
	39	156.2	30.77	185.2	38.41	190.6	40.32	193.3	40.60	196.1	40.72	202.4	40.98	207.9	41.10
110	10	143.0	13.25	170.5	16.15	198.0	19.19	211.6	20.77	225.5	22.34	242.7	23.25	248.2	23.35
	12	143.0	13.67	170.5	16.70	198.0	19.98	211.6	21.35	225.5	23.19	239.9	24.15	244.6	24.49
	14	143.0	14.10	170.5	17.44	198.0	20.89	211.6	22.41	225.5	24.34	236.5	25.04	242.0	25.58
	16	143.0	14.59	170.5	18.07	198.0	21.75	211.6	23.39	225.5	25.83	233.7	26.45	238.4	26.64
	18	143.0	15.12	170.5	18.84	198.0	23.00	211.6	24.93	225.5	27.35	230.2	27.82	235.8	27.91
	20	143.0	15.67	170.5	19.78	198.0	24.38	211.6	26.57	221.9	28.85	227.7	29.16	232.4	29.27
	21	143.0	16.02	170.5	20.37	198.0	25.27	211.6	27.52	220.7	29.51	225.5	29.84	231.0	29.95
	23	143.0	17.06	170.5	21.83	198.0	27.11	211.6	29.19	217.2	30.91	222.6	31.19	227.7	31.31
	25	143.0	18.23	170.5	23.29	198.0	29.00	211.6	30.92	214.5	32.22	219.3	32.56	224.8	32.68
	27	143.0	19.48	170.5	24.89	198.0	31.04	208.3	32.64	211.2	33.74	216.4	33.90	221.5	34.05
	29	143.0	20.81	170.5	26.58	198.0	33.11	205.4	34.01	208.3	35.11	213.1	35.27	218.6	35.40
	31	143.0	22.11	170.5	28.34	198.0	35.38	202.1	35.53	205.0	36.45	210.4	36.61	215.2	36.76
	33	143.0	23.59	170.5	30.18	196.6	37.35	199.4	37.11	202.1	37.82	206.9	37.97	212.3	38.13
	35	143.0	25.04	170.5	32.22	193.2	38.68	195.8	38.83	198.7	39.19	203.5	39.34	209.0	39.50
	37	143.0	26.03	170.5	33.20	190.4	39.35	193.2	39.42	195.1	39.74	200.7	39.99	205.4	40.10
	39	143.0	27.04	170.5	34.18	187.0	39.97	189.6	40.05	192.5	40.37	197.2	40.60	202.8	40.72
100	10	124.7	12.84	148.5	15.61	173.0	18.51	184.8	19.99	196.6	21.50	221.1	23.93	242.8	24.12
	12	124.7	13.26	148.5	16.23	173.0	19.14	184.8	20.55	196.6	22.18	221.1	25.20	239.5	25.46
	14	124.7	13.68	148.5	16.88	173.0	19.94	184.8	21.43	196.6	23.13	221.1	26.63	236.9	26.86
	16	124.7	14.09	148.5	17.44	173.0	20.79	184.8	22.45	196.6	24.39	221.1	27.89	233.6	28.31
	18	124.7	14.48	148.5	18.09	173.0	21.59	184.8	23.55	196.6	25.84	221.1	29.49	230.3	29.72
	20	124.7	15.01	148.5	18.78	173.0	22.85	184.8	25.23	196.6	27.66	221.1	30.89	227.0	31.15
	21	124.7	15.32	148.5	19.23	173.0	23.63	184.8	26.08	196.6	28.69	221.1	31.60	225.8	31.85
	23	124.7	16.23	148.5	20.56	173.0	25.38	184.8	27.97	196.6	30.74	217.8	33.09	222.9	33.35
	25	124.7	17.25	148.5	21.92	173.0	27.09	184.8	29.94	196.6	32.86	214.9	34.51	219.2	34.77
	27	124.7	18.43	148.5	23.40	173.0	28.99	184.8	32.00	196.6	34.95	211.6	36.13	216.4	36.41
	29	124.7	19.61	148.5	24.98	173.0	30.97	184.8	34.20	196.6	36.98	208.6	37.58	213.1	37.88
	31	124.7	20.97	148.5	26.63	173.0	33.02	184.8	36.48	196.6	38.87	205.4	39.02	209.8	39.36
	33	124.7	22.22	148.5	28.38	173.0	35.23	184.8	38.94	196.6	40.31	202.3	40.50	206.5	40.81
	35	124.7	23.63	148.5	30.17	173.0	37.51	184.8	41.53	193.7	41.79	199.1	41.95	203.2	42.29
	37	124.7	24.58	148.5	31.43	173.0	38.58	184.8	42.25	190.6	42.44	195.9	42.63	200.6	43.01
	39	124.7	25.53	148.5	32.68	173.0	39.59	184.8	42.94	187.3	43.13	192.8	43.28	197.3	43.70

Outdoor Units

Notes:
 1. TC: Total Capacity(kW) PI : Power Input(kW)(Comp. + Outdoor fan motor)
 2. Capacity tables show the average value of conditions which may occur.

7. Capacity Tables

Cooling Capacity(66HP)

Combination (%)	Outdoor air temp °C DB	Indoor air temp. (DB/WB, °C)													
		20		23		26		27		28		30		32	
		14		16		18		19		20		22		24	
		TC	PI	TC	PI	TC	PI	TC	PI	TC	PI	TC	PI	TC	PI
90	10	112.2	11.41	133.9	13.81	155.8	16.33	166.4	17.62	176.8	18.96	198.7	21.15	220.4	22.26
	12	112.2	11.68	133.9	14.20	155.8	16.76	166.4	18.04	176.8	19.47	198.7	21.96	220.4	23.18
	14	112.2	11.97	133.9	14.66	155.8	17.31	166.4	18.63	176.8	20.10	198.7	22.54	220.4	24.06
	16	112.2	12.27	133.9	14.97	155.8	17.71	166.4	19.07	176.8	20.53	198.7	22.97	220.4	24.93
	18	112.2	12.57	133.9	15.25	155.8	18.00	166.4	19.51	176.8	20.96	198.7	23.48	220.4	26.20
	20	112.2	12.79	133.9	15.53	155.8	18.36	166.4	19.87	176.8	21.76	198.7	25.11	220.4	27.45
	21	112.2	12.93	133.9	15.67	155.8	18.73	166.4	20.53	176.8	22.54	198.7	26.04	220.4	28.07
	23	112.2	13.22	133.9	16.33	155.8	20.02	166.4	22.05	176.8	24.14	198.7	27.91	217.4	29.39
	25	112.2	13.87	133.9	17.41	155.8	21.40	166.4	23.56	176.8	25.79	198.7	29.84	214.2	30.66
	27	112.2	14.82	133.9	18.58	155.8	22.83	166.4	25.15	176.8	27.61	198.7	31.49	211.2	32.10
	29	112.2	15.67	133.9	19.79	155.8	24.43	166.4	26.88	176.8	29.48	198.7	33.17	207.9	33.38
	31	112.2	16.69	133.9	21.10	155.8	26.00	166.4	28.63	176.8	31.43	198.7	34.47	205.0	34.67
	33	112.2	17.78	133.9	22.46	155.8	27.76	166.4	30.50	176.8	33.34	198.7	35.76	201.7	35.97
	35	112.2	18.85	133.9	23.84	155.8	29.48	166.4	32.51	176.8	35.35	195.1	37.06	198.6	37.27
	37	112.2	20.02	133.9	25.37	155.8	31.44	166.4	34.55	176.8	37.02	192.1	37.98	195.5	38.20
	39	112.2	21.19	133.9	26.98	155.8	33.27	166.4	36.41	176.8	38.21	188.9	38.89	192.2	39.12
80	10	99.7	11.13	118.8	13.40	137.9	15.73	147.8	16.98	157.7	18.22	176.8	20.73	196.1	21.63
	12	99.7	11.39	118.8	13.57	137.9	16.05	147.8	17.29	157.7	18.51	176.8	21.16	196.1	22.48
	14	99.7	11.54	118.8	13.87	137.9	16.28	147.8	17.59	157.7	18.83	176.8	21.54	196.1	23.34
	16	99.7	11.71	118.8	14.10	137.9	16.58	147.8	17.89	157.7	19.23	176.8	22.01	196.1	23.90
	18	99.7	11.93	118.8	14.34	137.9	16.90	147.8	18.22	157.7	19.61	176.8	22.41	196.1	24.41
	20	99.7	12.16	118.8	14.64	137.9	17.29	147.8	18.60	157.7	19.99	176.8	23.25	196.1	26.13
	21	99.7	12.23	118.8	14.81	137.9	17.44	147.8	18.83	157.7	20.47	176.8	23.98	196.1	27.08
	23	99.7	12.48	118.8	15.04	137.9	18.22	147.8	19.99	157.7	21.86	176.8	25.33	196.1	28.94
	25	99.7	12.95	118.8	16.05	137.9	19.53	147.8	21.38	157.7	23.40	176.8	27.08	196.1	30.47
	27	99.7	13.72	118.8	17.04	137.9	20.85	147.8	22.85	157.7	24.96	176.8	28.80	196.1	32.03
	29	99.7	14.56	118.8	18.22	137.9	22.16	147.8	24.34	157.7	26.65	176.8	30.85	196.1	33.38
	31	99.7	15.51	118.8	19.30	137.9	23.65	147.8	25.96	157.7	28.36	176.8	32.74	196.1	34.67
	33	99.7	16.43	118.8	20.62	137.9	25.19	147.8	27.67	157.7	30.22	176.8	34.49	196.1	35.97
	35	99.7	17.44	118.8	21.86	137.9	26.82	147.8	29.45	157.7	32.23	176.8	36.43	193.9	37.27
	37	99.7	18.43	118.8	23.25	137.9	28.43	147.8	31.31	157.7	34.26	176.8	37.66	190.8	38.20
	39	99.7	19.49	118.8	24.56	137.9	30.11	147.8	32.99	157.7	36.46	176.8	38.68	187.7	39.12
70	10	87.2	10.03	104.2	11.92	120.7	13.82	129.4	14.91	137.9	15.94	154.4	18.16	171.6	20.31
	12	87.2	10.17	104.2	12.07	120.7	14.12	129.4	15.14	137.9	16.27	154.4	18.46	171.6	20.68
	14	87.2	10.33	104.2	12.22	120.7	14.37	129.4	15.39	137.9	16.49	154.4	18.86	171.6	21.05
	16	87.2	10.50	104.2	12.47	120.7	14.60	129.4	15.72	137.9	16.81	154.4	19.19	171.6	21.52
	18	87.2	10.65	104.2	12.70	120.7	14.91	129.4	16.02	137.9	17.14	154.4	19.48	171.6	21.89
	20	87.2	10.80	104.2	12.95	120.7	15.14	129.4	16.33	137.9	17.52	154.4	19.96	171.6	22.72
	21	87.2	10.98	104.2	13.03	120.7	15.31	129.4	16.49	137.9	17.69	154.4	20.28	171.6	23.45
	23	87.2	11.13	104.2	13.34	120.7	15.62	129.4	17.04	137.9	18.54	154.4	21.70	171.6	24.76
	25	87.2	11.28	104.2	13.82	120.7	16.66	129.4	18.23	137.9	19.81	154.4	23.20	171.6	26.48
	27	87.2	11.92	104.2	14.77	120.7	17.77	129.4	19.34	137.9	21.15	154.4	24.77	171.6	28.15
	29	87.2	12.70	104.2	15.62	120.7	18.86	129.4	20.61	137.9	22.50	154.4	26.44	171.6	30.16
	31	87.2	13.49	104.2	16.66	120.7	20.13	129.4	22.03	137.9	24.00	154.4	28.17	171.6	32.00
	33	87.2	14.29	104.2	17.59	120.7	21.38	129.4	23.35	137.9	25.50	154.4	29.99	171.6	33.73
	35	87.2	15.07	104.2	18.79	120.7	22.72	129.4	24.87	137.9	27.15	154.4	31.95	171.6	35.75
	37	87.2	16.02	104.2	19.88	120.7	24.14	129.4	26.44	137.9	28.88	154.4	34.02	171.6	37.45
	39	87.2	16.85	104.2	21.01	120.7	25.56	129.4	27.90	137.9	30.60	154.4	36.04	171.6	38.51
60	10	74.5	8.83	89.1	10.36	103.7	12.06	110.8	12.94	118.1	13.74	132.7	15.59	147.1	17.43
	12	74.5	9.00	89.1	10.53	103.7	12.21	110.8	13.09	118.1	13.97	132.7	15.82	147.1	17.75
	14	74.5	9.08	89.1	10.68	103.7	12.46	110.8	13.35	118.1	14.22	132.7	16.15	147.1	18.08
	16	74.5	9.23	89.1	10.93	103.7	12.61	110.8	13.57	118.1	14.55	132.7	16.48	147.1	18.41
	18	74.5	9.41	89.1	11.09	103.7	12.86	110.8	13.82	118.1	14.80	132.7	16.71	147.1	18.81
	20	74.5	9.56	89.1	11.26	103.7	13.09	110.8	14.07	118.1	15.03	132.7	17.03	147.1	19.21
	21	74.5	9.64	89.1	11.34	103.7	13.27	110.8	14.22	118.1	15.20	132.7	17.27	147.1	19.36
	23	74.5	9.81	89.1	11.57	103.7	13.42	110.8	14.47	118.1	15.50	132.7	17.91	147.1	20.57
	25	74.5	9.95	89.1	11.81	103.7	13.97	110.8	15.20	118.1	16.48	132.7	19.13	147.1	22.02
	27	74.5	10.28	89.1	12.46	103.7	14.87	110.8	16.15	118.1	17.50	132.7	20.34	147.1	23.47
	29	74.5	10.93	89.1	13.27	103.7	15.82	110.8	17.20	118.1	18.64	132.7	21.69	147.1	25.08
	31	74.5	11.57	89.1	14.07	103.7	16.80	110.8	18.31	118.1	19.84	132.7	23.14	147.1	26.68
	33	74.5	12.21	89.1	14.87	103.7	17.83	110.8	19.44	118.1	21.14	132.7	24.58	147.1	28.44
	35	74.5	12.94	89.1	15.82	103.7	18.96	110.8	20.65	118.1	22.42	132.7	26.18	147.1	30.22
	37	74.5	13.66	89.1	16.71	103.7	20.09	110.8	21.94	118.1	23.78	132.7	27.81	147.1	32.15
	39	74.5	14.39	89.1	17.61	103.7	21.25	110.8	23.30	118.1	25.09	132.7	29.52	147.1	34.09

Notes:
 1. TC: Total Capacity(kW) PI : Power Input(kW)(Comp. + Outdoor fan motor)
 2. Capacity tables show the average value of conditions which may occur.

7. Capacity Tables

Cooling Capacity(66HP)

Combination (%)	Outdoor air temp °C DB	Indoor air temp. (DB/WB, °C)													
		20		23		26		27		28		30		32	
		14		16		18		19		20		22		24	
		TC	PI	TC	PI	TC	PI	TC	PI	TC	PI	TC	PI	TC	PI
50	10	62.3	7.76	74.5	9.00	86.5	10.23	92.4	10.97	98.3	11.62	110.3	13.08	122.8	14.55
	12	62.3	7.84	74.5	9.08	86.5	10.38	92.4	11.12	98.3	11.85	110.3	13.34	122.8	14.80
	14	62.3	7.94	74.5	9.25	86.5	10.56	92.4	11.29	98.3	12.02	110.3	13.49	122.8	15.05
	16	62.3	8.09	74.5	9.41	86.5	10.71	92.4	11.53	98.3	12.17	110.3	13.74	122.8	15.30
	18	62.3	8.17	74.5	9.48	86.5	10.87	92.4	11.69	98.3	12.43	110.3	13.98	122.8	15.63
	20	62.3	8.27	74.5	9.65	86.5	11.12	92.4	11.85	98.3	12.68	110.3	14.22	122.8	15.95
	21	62.3	8.34	74.5	9.73	86.5	11.20	92.4	12.02	98.3	12.76	110.3	14.39	122.8	16.10
	23	62.3	8.50	74.5	9.90	86.5	11.37	92.4	12.17	98.3	13.01	110.3	14.64	122.8	16.43
	25	62.3	8.59	74.5	10.06	86.5	11.62	92.4	12.43	98.3	13.41	110.3	15.38	122.8	17.59
	27	62.3	8.75	74.5	10.38	86.5	12.27	92.4	13.26	98.3	14.22	110.3	16.43	122.8	18.73
	29	62.3	9.25	74.5	11.04	86.5	13.01	92.4	14.06	98.3	15.13	110.3	17.42	122.8	19.87
	31	62.3	9.73	74.5	11.69	86.5	13.81	92.4	14.87	98.3	16.10	110.3	18.55	122.8	21.17
	33	62.3	10.31	74.5	12.35	86.5	14.64	92.4	15.78	98.3	17.09	110.3	19.71	122.8	22.56
	35	62.3	10.87	74.5	13.08	86.5	15.46	92.4	16.76	98.3	18.07	110.3	20.85	122.8	23.97
	37	62.3	11.53	74.5	13.81	86.5	16.36	92.4	17.75	98.3	19.13	110.3	22.23	122.8	25.43
	39	62.3	12.06	74.5	14.53	86.5	17.35	92.4	18.73	98.3	20.12	110.3	23.47	122.8	26.93

Notes:

1. TC: Total Capacity(kW) PI : Power Input(kW)(Comp. + Outdoor fan motor)
2. Capacity tables show the average value of conditions which may occur.

7. Capacity Tables

ARUB680LTE4

Cooling Capacity(68HP)

Combination (%)	Outdoor air temp °C DB	Indoor air temp. (DB/WB, °C)													
		20		23		26		27		28		30		32	
		14		16		18		19		20		22		24	
		TC	PI	TC	PI	TC	PI	TC	PI	TC	PI	TC	PI	TC	PI
130	10	174.0	17.00	207.4	20.76	240.6	24.08	249.8	24.56	252.6	24.84	259.0	24.96	265.4	25.12
	12	174.0	17.42	207.4	21.50	240.6	25.08	246.2	25.22	250.6	25.72	255.4	25.98	261.8	26.10
	14	174.0	17.98	207.4	22.28	240.0	26.02	243.4	26.20	246.2	26.64	252.6	26.90	259.0	27.10
	16	174.0	18.64	207.4	23.06	237.0	27.18	240.0	27.44	242.8	27.62	249.2	27.90	255.4	28.14
	18	174.0	19.42	207.4	24.40	233.6	28.66	236.4	28.88	240.0	29.04	246.2	29.18	252.6	29.36
	20	174.0	20.30	207.4	25.98	229.8	30.02	234.0	30.28	236.4	30.46	242.8	30.60	249.2	30.80
	21	174.0	20.82	207.4	26.90	228.6	30.70	232.2	31.02	235.0	31.16	241.4	31.32	247.8	31.50
	23	174.0	22.34	207.4	28.86	225.8	32.02	228.6	32.34	232.0	32.58	237.6	32.76	244.2	32.96
	25	174.0	23.86	207.4	30.84	222.2	33.44	225.8	33.76	228.6	34.00	235.0	34.18	241.4	34.38
	27	174.0	25.54	207.4	32.96	219.4	34.90	222.2	35.14	225.8	35.42	232.0	35.60	237.6	35.80
	29	174.0	27.20	207.4	35.26	215.8	36.32	219.0	36.58	222.2	36.84	228.6	37.02	235.0	37.24
	31	174.0	29.02	206.6	37.12	212.2	37.78	215.8	38.02	219.0	38.24	225.0	38.44	231.4	38.68
	33	174.0	30.92	203.0	38.54	209.4	39.22	212.8	39.48	215.8	39.66	222.2	39.86	227.8	40.10
	35	174.0	32.96	199.6	39.96	206.0	40.66	209.4	40.92	212.8	41.08	218.6	41.28	225.0	41.54
	37	174.0	34.14	196.8	40.72	203.0	41.46	206.0	41.78	209.4	41.94	215.2	42.08	221.6	42.40
	39	174.0	35.30	193.2	41.54	199.6	42.30	203.0	42.60	206.0	42.74	212.2	42.88	218.6	43.20
120	10	161.0	15.28	191.4	18.74	222.6	22.28	238.4	24.06	249.6	24.44	255.4	24.54	261.0	24.64
	12	161.0	15.68	191.4	19.36	222.6	23.14	238.4	24.56	246.2	25.34	251.6	25.64	257.4	25.76
	14	161.0	16.24	191.4	20.02	222.6	24.08	238.4	25.50	242.4	26.26	248.8	26.66	254.6	26.90
	16	161.0	16.82	191.4	20.84	222.6	25.02	237.0	26.86	239.8	27.48	245.4	27.62	251.0	27.90
	18	161.0	17.48	191.4	21.78	222.6	26.54	233.2	28.38	236.2	28.90	241.8	29.02	248.2	29.14
	20	161.0	18.14	191.4	23.10	222.6	28.28	230.4	30.02	233.2	30.32	239.0	30.44	244.8	30.56
	21	161.0	18.70	191.4	23.94	222.6	29.28	228.4	30.70	231.2	31.02	237.6	31.12	243.2	31.26
	23	161.0	19.98	191.4	25.60	222.6	31.22	225.4	32.06	228.4	32.44	234.0	32.54	239.8	32.68
	25	161.0	21.34	191.4	27.44	219.2	32.92	222.0	33.52	224.8	33.84	231.2	33.96	237.0	34.10
	27	161.0	22.80	191.4	29.32	216.2	34.60	219.2	34.88	222.0	35.24	227.8	35.38	233.2	35.52
	29	161.0	24.32	191.4	31.30	212.8	36.04	215.6	36.32	218.4	36.64	224.0	36.80	230.4	36.94
	31	161.0	25.92	191.4	33.42	209.2	37.54	212.8	37.68	215.6	38.06	221.4	38.20	226.8	38.38
	33	161.0	27.58	191.4	35.64	206.4	38.90	209.2	39.14	212.0	39.48	217.6	39.62	223.4	39.80
	35	161.0	29.32	191.4	38.00	203.0	40.42	205.6	40.56	209.2	40.88	214.8	41.04	220.6	41.22
	37	161.0	30.64	191.4	38.92	200.0	41.10	203.0	41.36	205.6	41.52	211.4	41.78	217.0	41.90
	39	161.0	31.92	190.8	39.84	196.4	41.82	199.2	42.12	202.0	42.24	208.4	42.50	214.2	42.62
110	10	147.2	13.74	175.8	16.76	204.0	19.88	218.2	21.54	232.2	23.18	250.0	24.12	255.6	24.22
	12	147.2	14.18	175.8	17.32	204.0	20.72	218.2	22.14	232.2	24.04	247.2	25.06	252.2	25.40
	14	147.2	14.62	175.8	18.10	204.0	21.66	218.2	23.24	232.2	25.26	243.8	25.98	249.2	26.54
	16	147.2	15.14	175.8	18.76	204.0	22.56	218.2	24.26	232.2	26.80	240.8	27.44	245.8	27.62
	18	147.2	15.68	175.8	19.54	204.0	23.86	218.2	25.86	232.2	28.38	237.2	28.84	243.0	28.96
	20	147.2	16.26	175.8	20.50	204.0	25.30	218.2	27.56	228.8	29.94	234.6	30.26	239.4	30.36
	21	147.2	16.62	175.8	21.12	204.0	26.20	218.2	28.56	227.4	30.60	232.2	30.96	238.0	31.08
	23	147.2	17.70	175.8	22.66	204.0	28.10	218.2	30.28	223.8	32.06	229.4	32.36	234.6	32.48
	25	147.2	18.92	175.8	24.16	204.0	30.08	218.2	32.06	221.0	33.42	226.0	33.76	231.6	33.90
	27	147.2	20.20	175.8	25.84	204.0	32.20	214.6	33.84	217.6	35.00	223.0	35.18	228.2	35.32
	29	147.2	21.58	175.8	27.58	204.0	34.34	211.8	35.28	214.6	36.40	219.6	36.58	225.2	36.72
	31	147.2	22.94	175.8	29.40	204.0	36.70	208.2	36.84	211.2	37.82	216.6	37.98	221.6	38.14
	33	147.2	24.46	175.8	31.30	202.6	38.76	205.4	38.50	208.2	39.24	213.2	39.38	218.8	39.56
	35	147.2	25.98	175.8	33.42	199.0	40.12	201.8	40.28	204.6	40.64	209.8	40.80	215.2	40.98
	37	147.2	27.00	175.8	34.46	196.2	40.84	199.0	40.88	201.2	41.24	206.8	41.50	211.8	41.60
	39	147.2	28.04	175.8	35.46	192.8	41.46	195.4	41.56	198.2	41.88	203.2	42.12	209.0	42.24
100	10	128.6	13.34	153.0	16.20	178.2	19.24	190.4	20.78	202.6	22.34	227.8	24.86	250.2	25.06
	12	128.6	13.78	153.0	16.88	178.2	19.88	190.4	21.36	202.6	23.04	227.8	26.20	246.8	26.46
	14	128.6	14.20	153.0	17.56	178.2	20.72	190.4	22.28	202.6	24.04	227.8	27.66	244.2	27.92
	16	128.6	14.62	153.0	18.12	178.2	21.60	190.4	23.32	202.6	25.34	227.8	29.00	240.8	29.42
	18	128.6	15.06	153.0	18.80	178.2	22.44	190.4	24.46	202.6	26.86	227.8	30.64	237.4	30.90
	20	128.6	15.60	153.0	19.52	178.2	23.76	190.4	26.22	202.6	28.74	227.8	32.10	234.0	32.38
	21	128.6	15.94	153.0	19.98	178.2	24.56	190.4	27.12	202.6	29.82	227.8	32.84	232.6	33.10
	23	128.6	16.88	153.0	21.36	178.2	26.38	190.4	29.08	202.6	31.94	224.6	34.40	229.6	34.66
	25	128.6	17.92	153.0	22.78	178.2	28.16	190.4	31.12	202.6	34.16	221.4	35.86	225.8	36.14
	27	128.6	19.16	153.0	24.32	178.2	30.14	190.4	33.26	202.6	36.32	218.0	37.54	223.0	37.84
	29	128.6	20.38	153.0	25.98	178.2	32.18	190.4	35.54	202.6	38.44	214.8	39.06	219.6	39.36
	31	128.6	21.80	153.0	27.68	178.2	34.30	190.4	37.90	202.6	40.40	211.6	40.56	216.2	40.90
	33	128.6	23.08	153.0	29.48	178.2	36.62	190.4	40.46	202.6	41.90	208.4	42.08	212.8	42.42
	35	128.6	24.56	153.0	31.36	178.2	38.98	190.4	43.16	199.6	43.42	205.0	43.60	209.4	43.94
	37	128.6	25.54	153.0	32.66	178.2	40.10	190.4	43.90	196.2	44.10	202.0	44.30	206.8	44.70
	39	128.6	26.52	153.0	33.96	178.2	41.14	190.4	44.62	193.0	44.82	198.6	44.98	203.4	45.40

Notes:

1. TC: Total Capacity(kW) PI : Power Input(kW)(Comp. + Outdoor fan motor)
2. Capacity tables show the average value of conditions which may occur.

7. Capacity Tables

Cooling Capacity(68HP)

Combination (%)	Outdoor air temp °C DB	Indoor air temp. (DB/WB, °C)													
		20		23		26		27		28		30		32	
		14		16		18		19		20		22		24	
		TC	PI	TC	PI	TC	PI	TC	PI	TC	PI	TC	PI	TC	PI
90	10	115.6	11.80	138.0	14.28	160.4	16.88	171.4	18.24	182.2	19.60	204.6	21.88	227.2	22.94
	12	115.6	12.08	138.0	14.70	160.4	17.36	171.4	18.68	182.2	20.14	204.6	22.74	227.2	23.84
	14	115.6	12.40	138.0	15.18	160.4	17.94	171.4	19.30	182.2	20.84	204.6	23.72	227.2	24.84
	16	115.6	12.70	138.0	15.62	160.4	18.56	171.4	20.02	182.2	21.66	204.6	24.30	227.2	25.78
	18	115.6	13.04	138.0	16.08	160.4	19.06	171.4	20.66	182.2	22.18	204.6	24.84	227.2	27.10
	20	115.6	13.40	138.0	16.44	160.4	19.44	171.4	21.04	182.2	23.02	204.6	26.58	227.2	28.38
	21	115.6	13.64	138.0	16.60	160.4	19.82	171.4	21.74	182.2	23.88	204.6	27.56	227.2	29.04
	23	115.6	13.98	138.0	17.30	160.4	21.20	171.4	23.34	182.2	25.54	204.6	29.42	224.0	30.40
	25	115.6	14.68	138.0	18.42	160.4	22.64	171.4	24.94	182.2	27.30	204.6	30.98	220.8	31.70
	27	115.6	15.68	138.0	19.66	160.4	24.16	171.4	26.62	182.2	29.22	204.6	32.62	217.6	33.20
	29	115.6	16.60	138.0	20.96	160.4	25.86	171.4	28.44	182.2	31.22	204.6	34.30	214.2	34.54
	31	115.6	17.68	138.0	22.34	160.4	27.54	171.4	30.30	182.2	33.26	204.6	35.64	211.2	35.86
	33	115.6	18.80	138.0	23.78	160.4	29.38	171.4	32.28	182.2	35.30	204.6	36.98	207.8	37.20
	35	115.6	19.96	138.0	25.24	160.4	31.22	171.4	34.42	182.2	37.20	201.2	38.30	204.6	38.54
	37	115.6	21.20	138.0	26.84	160.4	33.26	171.4	36.56	182.2	38.36	197.8	39.20	201.4	39.46
	39	115.6	22.44	138.0	28.56	160.4	35.16	171.4	38.26	182.2	39.48	194.8	40.10	198.2	40.36
80	10	102.6	11.64	122.4	14.08	142.2	16.62	152.4	17.96	162.6	19.28	182.2	21.66	202.0	22.48
	12	102.6	11.94	122.4	14.40	142.2	17.02	152.4	18.34	162.6	19.66	182.2	22.46	202.0	23.40
	14	102.6	12.24	122.4	14.72	142.2	17.28	152.4	18.66	162.6	19.98	182.2	22.88	202.0	24.38
	16	102.6	12.42	122.4	14.98	142.2	17.60	152.4	19.00	162.6	20.40	182.2	23.36	202.0	25.34
	18	102.6	12.66	122.4	15.22	142.2	17.94	152.4	19.34	162.6	20.82	182.2	23.78	202.0	25.90
	20	102.6	12.92	122.4	15.54	142.2	18.34	152.4	19.74	162.6	21.22	182.2	24.68	202.0	27.72
	21	102.6	12.98	122.4	15.72	142.2	18.50	152.4	19.98	162.6	21.72	182.2	25.46	202.0	28.60
	23	102.6	13.24	122.4	15.96	142.2	19.34	152.4	21.22	162.6	23.20	182.2	26.88	202.0	30.22
	25	102.6	13.72	122.4	17.02	142.2	20.72	152.4	22.70	162.6	24.84	182.2	28.76	202.0	31.70
	27	102.6	14.56	122.4	18.10	142.2	22.14	152.4	24.26	162.6	26.48	182.2	30.58	202.0	33.20
	29	102.6	15.46	122.4	19.34	142.2	23.52	152.4	25.84	162.6	28.30	182.2	32.74	202.0	34.54
	31	102.6	16.46	122.4	20.48	142.2	25.10	152.4	27.56	162.6	30.10	182.2	34.74	202.0	35.86
	33	102.6	17.44	122.4	21.88	142.2	26.74	152.4	29.36	162.6	32.08	182.2	36.38	202.0	37.20
	35	102.6	18.50	122.4	23.20	142.2	28.46	152.4	31.26	162.6	34.22	182.2	38.02	199.8	38.54
	37	102.6	19.58	122.4	24.66	142.2	30.18	152.4	33.22	162.6	36.34	182.2	39.20	196.6	39.46
	39	102.6	20.68	122.4	26.06	142.2	31.96	152.4	35.02	162.6	38.64	182.2	40.10	193.4	40.36
70	10	89.8	10.66	107.4	12.68	124.4	14.70	133.2	15.86	142.2	16.96	159.2	19.32	176.8	21.62
	12	89.8	10.82	107.4	12.84	124.4	15.02	133.2	16.12	142.2	17.30	159.2	19.66	176.8	22.00
	14	89.8	11.00	107.4	13.00	124.4	15.28	133.2	16.38	142.2	17.56	159.2	20.06	176.8	22.40
	16	89.8	11.18	107.4	13.26	124.4	15.54	133.2	16.72	142.2	17.88	159.2	20.42	176.8	22.90
	18	89.8	11.34	107.4	13.52	124.4	15.86	133.2	17.04	142.2	18.24	159.2	20.74	176.8	23.30
	20	89.8	11.50	107.4	13.78	124.4	16.12	133.2	17.38	142.2	18.66	159.2	21.26	176.8	24.18
	21	89.8	11.68	107.4	13.86	124.4	16.28	133.2	17.56	142.2	18.82	159.2	21.58	176.8	24.96
	23	89.8	11.84	107.4	14.20	124.4	16.64	133.2	18.14	142.2	19.74	159.2	23.08	176.8	26.34
	25	89.8	12.00	107.4	14.70	124.4	17.72	133.2	19.40	142.2	21.08	159.2	24.70	176.8	28.18
	27	89.8	12.68	107.4	15.70	124.4	18.90	133.2	20.58	142.2	22.50	159.2	26.36	176.8	29.96
	29	89.8	13.52	107.4	16.64	124.4	20.06	133.2	21.92	142.2	23.92	159.2	28.12	176.8	32.08
	31	89.8	14.36	107.4	17.72	124.4	21.42	133.2	23.44	142.2	25.52	159.2	29.98	176.8	34.06
	33	89.8	15.20	107.4	18.72	124.4	22.76	133.2	24.86	142.2	27.12	159.2	31.92	176.8	35.88
	35	89.8	16.04	107.4	20.00	124.4	24.18	133.2	26.46	142.2	28.90	159.2	34.00	176.8	38.06
	37	89.8	17.04	107.4	21.16	124.4	25.70	133.2	28.12	142.2	30.74	159.2	36.18	176.8	39.36
	39	89.8	17.92	107.4	22.36	124.4	27.20	133.2	29.68	142.2	32.54	159.2	38.36	176.8	40.36
60	10	76.8	9.44	91.8	11.06	106.8	12.86	114.2	13.80	121.8	14.66	136.6	16.62	151.6	18.60
	12	76.8	9.60	91.8	11.22	106.8	13.02	114.2	13.96	121.8	14.92	136.6	16.88	151.6	18.94
	14	76.8	9.68	91.8	11.40	106.8	13.28	114.2	14.24	121.8	15.18	136.6	17.22	151.6	19.28
	16	76.8	9.86	91.8	11.64	106.8	13.44	114.2	14.50	121.8	15.52	136.6	17.58	151.6	19.64
	18	76.8	10.04	91.8	11.84	106.8	13.70	114.2	14.76	121.8	15.78	136.6	17.84	151.6	20.06
	20	76.8	10.20	91.8	12.00	106.8	13.96	114.2	15.00	121.8	16.04	136.6	18.16	151.6	20.50
	21	76.8	10.30	91.8	12.10	106.8	14.14	114.2	15.18	121.8	16.20	136.6	18.42	151.6	20.66
	23	76.8	10.46	91.8	12.34	106.8	14.32	114.2	15.44	121.8	16.54	136.6	19.12	151.6	21.94
	25	76.8	10.62	91.8	12.60	106.8	14.92	114.2	16.20	121.8	17.58	136.6	20.40	151.6	23.48
	27	76.8	10.98	91.8	13.28	106.8	15.86	114.2	17.22	121.8	18.68	136.6	21.68	151.6	25.02
	29	76.8	11.64	91.8	14.14	106.8	16.88	114.2	18.34	121.8	19.88	136.6	23.14	151.6	26.76
	31	76.8	12.34	91.8	15.00	106.8	17.90	114.2	19.54	121.8	21.18	136.6	24.68	151.6	28.46
	33	76.8	13.02	91.8	15.86	106.8	19.02	114.2	20.76	121.8	22.54	136.6	26.24	151.6	30.34
	35	76.8	13.80	91.8	16.88	106.8	20.24	114.2	22.04	121.8	23.90	136.6	27.94	151.6	32.24
	37	76.8	14.56	91.8	17.82	106.8	21.42	114.2	23.40	121.8	25.38	136.6	29.64	151.6	34.30
	39	76.8	15.34	91.8	18.78	106.8	22.68	114.2	24.86	121.8	26.76	136.6	31.48	151.6	36.36

Outdoor Units

Notes:
 1. TC: Total Capacity(kW) PI : Power Input(kW)(Comp. + Outdoor fan motor)
 2. Capacity tables show the average value of conditions which may occur.

7. Capacity Tables

Cooling Capacity(68HP)

Combination (%)	Outdoor air temp °C DB	Indoor air temp. (DB/WB, °C)													
		20		23		26		27		28		30		32	
		14		16		18		19		20		22		24	
		TC	PI	TC	PI	TC	PI	TC	PI	TC	PI	TC	PI	TC	PI
50	10	64.2	8.30	76.8	9.62	89.0	10.94	95.2	11.72	101.4	12.42	113.6	13.98	126.4	15.58
	12	64.2	8.40	76.8	9.72	89.0	11.10	95.2	11.90	101.4	12.68	113.6	14.26	126.4	15.84
	14	64.2	8.50	76.8	9.88	89.0	11.28	95.2	12.06	101.4	12.86	113.6	14.42	126.4	16.10
	16	64.2	8.66	76.8	10.06	89.0	11.44	95.2	12.34	101.4	13.02	113.6	14.68	126.4	16.36
	18	64.2	8.74	76.8	10.14	89.0	11.64	95.2	12.50	101.4	13.30	113.6	14.94	126.4	16.70
	20	64.2	8.84	76.8	10.32	89.0	11.90	95.2	12.68	101.4	13.56	113.6	15.22	126.4	17.06
	21	64.2	8.92	76.8	10.42	89.0	11.98	95.2	12.86	101.4	13.66	113.6	15.38	126.4	17.22
	23	64.2	9.10	76.8	10.58	89.0	12.16	95.2	13.02	101.4	13.90	113.6	15.64	126.4	17.58
	25	64.2	9.18	76.8	10.76	89.0	12.42	95.2	13.30	101.4	14.34	113.6	16.44	126.4	18.80
	27	64.2	9.36	76.8	11.10	89.0	13.12	95.2	14.16	101.4	15.22	113.6	17.58	126.4	20.04
	29	64.2	9.88	76.8	11.80	89.0	13.90	95.2	15.04	101.4	16.18	113.6	18.62	126.4	21.26
	31	64.2	10.42	76.8	12.50	89.0	14.78	95.2	15.90	101.4	17.22	113.6	19.84	126.4	22.64
	33	64.2	11.02	76.8	13.20	89.0	15.64	95.2	16.86	101.4	18.28	113.6	21.06	126.4	24.14
	35	64.2	11.64	76.8	13.98	89.0	16.54	95.2	17.92	101.4	19.32	113.6	22.30	126.4	25.62
	37	64.2	12.34	76.8	14.78	89.0	17.50	95.2	18.98	101.4	20.46	113.6	23.78	126.4	27.18
	39	64.2	12.90	76.8	15.54	89.0	18.56	95.2	20.04	101.4	21.52	113.6	25.10	126.4	28.80

Notes:

1. TC: Total Capacity(kW) PI : Power Input(kW)(Comp. + Outdoor fan motor)
2. Capacity tables show the average value of conditions which may occur.

7. Capacity Tables

ARUB700LTE4

Cooling Capacity(70HP)

Combination (%)	Outdoor air temp °C DB	Indoor air temp. (DB/WB, °C)														
		20		23		26		27		28		30		32		
		14		16		18		19		20		22		24		
		TC	PI	TC	PI	TC	PI	TC	PI	TC	PI	TC	PI	TC	PI	
130	10	179.2	17.82	213.5	21.76	247.7	25.25	257.2	25.75	260.0	26.04	266.6	26.17	273.2	26.33	
	12	179.2	18.26	213.5	22.55	247.7	26.29	253.4	26.45	257.9	26.96	262.9	27.24	269.5	27.36	
	14	179.2	18.85	213.5	23.36	247.0	27.28	250.6	27.47	253.4	27.94	260.0	28.20	266.6	28.42	
	16	179.2	19.54	213.5	24.18	244.0	28.49	247.0	28.77	249.9	28.96	256.5	29.25	262.9	29.50	
	18	179.2	20.37	213.5	25.58	240.4	30.04	243.3	30.28	247.0	30.45	253.4	30.60	260.0	30.78	
	20	179.2	21.28	213.5	27.24	236.6	31.47	240.9	31.75	243.3	31.94	249.9	32.09	256.5	32.29	
	21	179.2	21.83	213.5	28.20	235.3	32.19	239.0	32.52	241.9	32.67	248.5	32.84	255.1	33.03	
	23	179.2	23.42	213.5	30.26	232.4	33.57	235.3	33.90	238.8	34.16	244.6	34.34	251.3	34.55	
	25	179.2	25.02	213.5	32.34	228.8	35.06	232.4	35.40	235.3	35.65	241.9	35.83	248.5	36.05	
	27	179.2	26.77	213.5	34.56	225.8	36.59	228.8	36.85	232.4	37.14	238.8	37.32	244.6	37.54	
	29	179.2	28.52	213.5	36.96	222.2	38.09	225.4	38.35	228.8	38.63	235.3	38.81	241.9	39.04	
	31	179.2	30.42	212.7	38.92	218.4	39.61	222.2	39.87	225.4	40.09	231.6	40.30	238.2	40.55	
	33	179.2	32.42	209.0	40.41	215.6	41.12	219.1	41.39	222.2	41.58	228.8	41.80	234.5	42.05	
	35	179.2	34.56	205.4	41.90	212.0	42.63	215.6	42.90	219.1	43.07	225.0	43.29	231.6	43.55	
	37	179.2	35.79	202.6	42.70	209.0	43.47	212.0	43.81	215.6	43.98	221.5	44.12	228.1	44.45	
	39	179.2	37.01	198.9	43.55	205.4	44.35	209.0	44.67	212.0	44.81	218.4	44.96	225.0	45.29	
	120	10	165.8	16.02	197.0	19.65	229.2	23.35	245.4	25.22	256.9	25.62	262.9	25.73	268.7	25.83
		12	165.8	16.44	197.0	20.30	229.2	24.27	245.4	25.75	253.4	26.57	259.0	26.89	265.0	27.00
		14	165.8	17.02	197.0	20.99	229.2	25.25	245.4	26.74	249.6	27.54	256.2	27.95	262.1	28.20
16		165.8	17.64	197.0	21.85	229.2	26.23	243.9	28.16	246.8	28.81	252.6	28.95	258.4	29.25	
18		165.8	18.33	197.0	22.84	229.2	27.83	240.1	29.75	243.2	30.30	248.9	30.42	255.5	30.55	
20		165.8	19.02	197.0	24.22	229.2	29.65	237.2	31.47	240.1	31.79	246.0	31.91	252.0	32.04	
21		165.8	19.60	197.0	25.10	229.2	30.70	235.1	32.19	238.0	32.52	244.6	32.63	250.3	32.78	
23		165.8	20.95	197.0	26.84	229.2	32.74	232.1	33.61	235.1	34.01	240.9	34.12	246.8	34.27	
25		165.8	22.38	197.0	28.77	225.7	34.52	228.5	35.14	231.4	35.47	238.0	35.61	243.9	35.76	
27		165.8	23.90	197.0	30.74	222.6	36.27	225.7	36.57	228.5	36.95	234.5	37.10	240.1	37.25	
29		165.8	25.50	197.0	32.82	219.1	37.79	221.9	38.08	224.8	38.42	230.6	38.59	237.2	38.73	
31		165.8	27.17	197.0	35.04	215.3	39.36	219.1	39.51	221.9	39.91	227.9	40.05	233.5	40.23	
33		165.8	28.92	197.0	37.36	212.5	40.78	215.3	41.03	218.3	41.39	224.0	41.54	230.0	41.72	
35		165.8	30.74	197.0	39.84	208.9	42.38	211.7	42.53	215.3	42.86	221.2	43.03	227.1	43.21	
37		165.8	32.12	197.0	40.81	205.8	43.10	208.9	43.37	211.7	43.54	217.6	43.81	223.4	43.93	
39		165.8	33.47	196.4	41.77	202.2	43.84	205.1	44.16	207.9	44.28	214.6	44.56	220.5	44.68	
110		10	151.6	14.41	180.9	17.57	210.0	20.85	224.6	22.59	239.1	24.30	257.3	25.29	263.2	25.39
		12	151.6	14.87	180.9	18.16	210.0	21.72	224.6	23.21	239.1	25.21	254.5	26.27	259.6	26.63
		14	151.6	15.32	180.9	18.98	210.0	22.71	224.6	24.37	239.1	26.48	250.9	27.24	256.6	27.82
	16	151.6	15.87	180.9	19.67	210.0	23.65	224.6	25.43	239.1	28.09	247.9	28.77	253.0	28.96	
	18	151.6	16.44	180.9	20.48	210.0	25.02	224.6	27.11	239.1	29.75	244.2	30.24	250.2	30.37	
	20	151.6	17.05	180.9	21.50	210.0	26.52	224.6	28.89	235.5	31.39	241.5	31.72	246.4	31.83	
	21	151.6	17.42	180.9	22.15	210.0	27.47	224.6	29.94	234.1	32.09	239.1	32.46	245.0	32.59	
	23	151.6	18.56	180.9	23.75	210.0	29.47	224.6	31.75	230.4	33.61	236.2	33.93	241.5	34.05	
	25	151.6	19.83	180.9	25.33	210.0	31.54	224.6	33.62	227.5	35.04	232.7	35.40	238.4	35.54	
	27	151.6	21.18	180.9	27.09	210.0	33.76	220.9	35.48	224.0	36.70	229.6	36.88	234.9	37.03	
	29	151.6	22.63	180.9	28.92	210.0	36.01	218.0	36.99	220.9	38.17	226.1	38.35	231.8	38.50	
	31	151.6	24.05	180.9	30.82	210.0	38.48	214.3	38.63	217.4	39.65	223.0	39.83	228.2	39.98	
	33	151.6	25.65	180.9	32.82	208.6	40.63	211.4	40.37	214.3	41.14	219.5	41.29	225.3	41.47	
	35	151.6	27.24	180.9	35.04	204.8	42.06	207.8	42.23	210.7	42.61	215.9	42.78	221.6	42.96	
	37	151.6	28.31	180.9	36.12	202.0	42.81	204.8	42.86	207.1	43.24	212.9	43.51	218.0	43.62	
	39	151.6	29.40	180.9	37.18	198.4	43.47	201.2	43.57	204.1	43.91	209.2	44.16	215.2	44.28	
	100	10	132.3	14.00	157.5	17.01	183.4	20.19	196.0	21.81	208.6	23.44	234.5	26.09	257.6	26.30
		12	132.3	14.46	157.5	17.71	183.4	20.86	196.0	22.41	208.6	24.18	234.5	27.50	254.1	27.76
		14	132.3	14.90	157.5	18.42	183.4	21.74	196.0	23.37	208.6	25.23	234.5	29.03	251.3	29.30
16		132.3	15.35	157.5	19.02	183.4	22.67	196.0	24.47	208.6	26.59	234.5	30.43	247.8	30.87	
18		132.3	15.80	157.5	19.73	183.4	23.55	196.0	25.67	208.6	28.18	234.5	32.15	244.3	32.42	
20		132.3	16.37	157.5	20.48	183.4	24.93	196.0	27.51	208.6	30.16	234.5	33.69	240.8	33.97	
21		132.3	16.72	157.5	20.97	183.4	25.77	196.0	28.46	208.6	31.29	234.5	34.46	239.4	34.73	
23		132.3	17.71	157.5	22.42	183.4	27.68	196.0	30.51	208.6	33.52	231.2	36.09	236.3	36.37	
25		132.3	18.81	157.5	23.90	183.4	29.55	196.0	32.66	208.6	35.84	227.9	37.63	232.4	37.93	
27		132.3	20.11	157.5	25.52	183.4	31.63	196.0	34.90	208.6	38.11	224.4	39.39	229.6	39.71	
29		132.3	21.39	157.5	27.26	183.4	33.77	196.0	37.30	208.6	40.34	221.2	40.98	226.1	41.30	
31		132.3	22.87	157.5	29.05	183.4	36.00	196.0	39.78	208.6	42.39	217.8	42.56	222.6	42.92	
33		132.3	24.22	157.5	30.94	183.4	38.43	196.0	42.46	208.6	43.97	214.5	44.16	219.1	44.51	
35		132.3	25.77	157.5	32.91	183.4	40.91	196.0	45.29	205.5	45.57	211.1	45.75	215.6	46.11	
37		132.3	26.80	157.5	34.27	183.4	42.08	196.0	46.07	202.0	46.28	207.9	46.49	212.8	46.91	
39		132.3	27.83	157.5	35.64	183.4	43.17	196.0	46.82	198.7	47.03	204.4	47.20	209.3	47.64	

Outdoor Units

Notes:
 1. TC: Total Capacity(kW) PI : Power Input(kW)(Comp. + Outdoor fan motor)
 2. Capacity tables show the average value of conditions which may occur.

7. Capacity Tables

Cooling Capacity(70HP)

Combination (%)	Outdoor air temp °C DB	Indoor air temp. (DB/WB, °C)													
		20		23		26		27		28		30		32	
		14		16		18		19		20		22		24	
		TC	PI	TC	PI	TC	PI	TC	PI	TC	PI	TC	PI	TC	PI
90	10	119.0	12.47	142.1	15.09	165.2	17.83	176.4	19.26	187.6	20.70	210.7	23.11	233.8	24.22
	12	119.0	12.76	142.1	15.52	165.2	18.32	176.4	19.72	187.6	21.27	210.7	24.00	233.8	25.24
	14	119.0	13.09	142.1	16.02	165.2	18.93	176.4	20.37	187.6	21.98	210.7	25.00	233.8	26.26
	16	119.0	13.41	142.1	16.47	165.2	19.57	176.4	21.11	187.6	22.83	210.7	25.61	233.8	27.23
	18	119.0	13.75	142.1	16.95	165.2	20.08	176.4	21.77	187.6	23.38	210.7	26.18	233.8	28.62
	20	119.0	14.13	142.1	17.33	165.2	20.48	176.4	22.17	187.6	24.26	210.7	28.01	233.8	29.97
	21	119.0	14.37	142.1	17.49	165.2	20.89	176.4	22.91	187.6	25.16	210.7	29.04	233.8	30.67
	23	119.0	14.74	142.1	18.23	165.2	22.34	176.4	24.59	187.6	26.92	210.7	31.01	230.6	32.11
	25	119.0	15.47	142.1	19.41	165.2	23.86	176.4	26.28	187.6	28.77	210.7	32.68	227.2	33.48
	27	119.0	16.52	142.1	20.72	165.2	25.47	176.4	28.05	187.6	30.79	210.7	34.43	224.0	35.06
	29	119.0	17.49	142.1	22.09	165.2	27.25	176.4	29.98	187.6	32.90	210.7	36.23	220.5	36.48
	31	119.0	18.63	142.1	23.54	165.2	29.02	176.4	31.93	187.6	35.05	210.7	37.65	217.4	37.87
	33	119.0	19.82	142.1	25.06	165.2	30.96	176.4	34.02	187.6	37.20	210.7	39.06	213.9	39.29
	35	119.0	21.03	142.1	26.60	165.2	32.90	176.4	36.27	187.6	39.21	207.1	40.46	210.6	40.71
	37	119.0	22.34	142.1	28.29	165.2	35.06	176.4	38.53	187.6	40.48	203.7	41.44	207.3	41.70
	39	119.0	23.65	142.1	30.10	165.2	37.05	176.4	40.33	187.6	41.71	200.5	42.41	204.0	42.68
80	10	105.7	12.19	126.0	14.74	146.3	17.39	156.8	18.80	167.3	20.18	187.6	22.69	207.9	23.59
	12	105.7	12.51	126.0	15.07	146.3	17.81	156.8	19.19	167.3	20.57	187.6	23.50	207.9	24.54
	14	105.7	12.82	126.0	15.41	146.3	18.08	156.8	19.53	167.3	20.91	187.6	23.94	207.9	25.54
	16	105.7	12.99	126.0	15.68	146.3	18.42	156.8	19.89	167.3	21.35	187.6	24.45	207.9	26.52
	18	105.7	13.25	126.0	15.92	146.3	18.78	156.8	20.24	167.3	21.79	187.6	24.89	207.9	27.11
	20	105.7	13.52	126.0	16.26	146.3	19.19	156.8	20.66	167.3	22.21	187.6	25.83	207.9	29.01
	21	105.7	13.59	126.0	16.45	146.3	19.36	156.8	20.91	167.3	22.73	187.6	26.64	207.9	29.94
	23	105.7	13.86	126.0	16.70	146.3	20.24	156.8	22.21	167.3	24.28	187.6	28.13	207.9	31.66
	25	105.7	14.37	126.0	17.81	146.3	21.69	156.8	23.76	167.3	26.00	187.6	30.10	207.9	33.29
	27	105.7	15.24	126.0	18.94	146.3	23.17	156.8	25.39	167.3	27.72	187.6	32.00	207.9	34.99
	29	105.7	16.18	126.0	20.24	146.3	24.62	156.8	27.04	167.3	29.61	187.6	34.27	207.9	36.48
	31	105.7	17.23	126.0	21.44	146.3	26.27	156.8	28.84	167.3	31.50	187.6	36.36	207.9	37.87
	33	105.7	18.25	126.0	22.90	146.3	27.99	156.8	30.73	167.3	33.58	187.6	38.09	207.9	39.29
	35	105.7	19.36	126.0	24.28	146.3	29.78	156.8	32.71	167.3	35.81	187.6	39.83	205.7	40.71
	37	105.7	20.49	126.0	25.81	146.3	31.59	156.8	34.77	167.3	38.04	187.6	41.12	202.4	41.70
	39	105.7	21.65	126.0	27.28	146.3	33.45	156.8	36.65	167.3	40.44	187.6	42.20	199.1	42.68
70	10	92.4	11.09	110.6	13.18	128.1	15.28	137.2	16.49	146.3	17.64	163.8	20.08	182.0	22.47
	12	92.4	11.25	110.6	13.35	128.1	15.62	137.2	16.76	146.3	17.99	163.8	20.44	182.0	22.88
	14	92.4	11.43	110.6	13.52	128.1	15.89	137.2	17.03	146.3	18.25	163.8	20.86	182.0	23.29
	16	92.4	11.62	110.6	13.79	128.1	16.16	137.2	17.38	146.3	18.59	163.8	21.23	182.0	23.80
	18	92.4	11.79	110.6	14.06	128.1	16.49	137.2	17.72	146.3	18.96	163.8	21.56	182.0	24.23
	20	92.4	11.96	110.6	14.33	128.1	16.76	137.2	18.07	146.3	19.40	163.8	22.10	182.0	25.14
	21	92.4	12.14	110.6	14.41	128.1	16.93	137.2	18.25	146.3	19.57	163.8	22.44	182.0	25.95
	23	92.4	12.31	110.6	14.76	128.1	17.30	137.2	18.86	146.3	20.52	163.8	24.00	182.0	27.38
	25	92.4	12.48	110.6	15.28	128.1	18.42	137.2	20.17	146.3	21.91	163.8	25.68	182.0	29.30
	27	92.4	13.18	110.6	16.33	128.1	19.65	137.2	21.40	146.3	23.39	163.8	27.41	182.0	31.15
	29	92.4	14.06	110.6	17.30	128.1	20.86	137.2	22.79	146.3	24.88	163.8	29.24	182.0	33.36
	31	92.4	14.93	110.6	18.42	128.1	22.27	137.2	24.37	146.3	26.54	163.8	31.17	182.0	35.42
	33	92.4	15.81	110.6	19.47	128.1	23.66	137.2	25.85	146.3	28.20	163.8	33.19	182.0	37.31
	35	92.4	16.67	110.6	20.79	128.1	25.14	137.2	27.51	146.3	30.05	163.8	35.35	182.0	39.57
	37	92.4	17.72	110.6	22.00	128.1	26.72	137.2	29.24	146.3	31.96	163.8	37.62	182.0	40.95
	39	92.4	18.63	110.6	23.25	128.1	28.28	137.2	30.86	146.3	33.84	163.8	39.88	182.0	42.07
60	10	79.1	9.75	94.5	11.42	109.9	13.28	117.6	14.26	125.3	15.14	140.7	17.17	156.1	19.21
	12	79.1	9.92	94.5	11.59	109.9	13.45	117.6	14.43	125.3	15.41	140.7	17.44	156.1	19.57
	14	79.1	10.00	94.5	11.78	109.9	13.72	117.6	14.71	125.3	15.68	140.7	17.79	156.1	19.92
	16	79.1	10.19	94.5	12.03	109.9	13.89	117.6	14.97	125.3	16.03	140.7	18.16	156.1	20.29
	18	79.1	10.37	94.5	12.23	109.9	14.16	117.6	15.24	125.3	16.30	140.7	18.43	156.1	20.73
	20	79.1	10.54	94.5	12.40	109.9	14.43	117.6	15.49	125.3	16.57	140.7	18.77	156.1	21.17
	21	79.1	10.64	94.5	12.50	109.9	14.61	117.6	15.68	125.3	16.74	140.7	19.03	156.1	21.34
	23	79.1	10.81	94.5	12.75	109.9	14.80	117.6	15.95	125.3	17.08	140.7	19.75	156.1	22.67
	25	79.1	10.97	94.5	13.01	109.9	15.41	117.6	16.74	125.3	18.16	140.7	21.07	156.1	24.26
	27	79.1	11.34	94.5	13.72	109.9	16.39	117.6	17.79	125.3	19.30	140.7	22.40	156.1	25.85
	29	79.1	12.03	94.5	14.61	109.9	17.44	117.6	18.94	125.3	20.54	140.7	23.91	156.1	27.64
	31	79.1	12.75	94.5	15.49	109.9	18.50	117.6	20.19	125.3	21.88	140.7	25.50	156.1	29.40
	33	79.1	13.45	94.5	16.39	109.9	19.65	117.6	21.44	125.3	23.28	140.7	27.10	156.1	31.34
	35	79.1	14.26	94.5	17.44	109.9	20.90	117.6	22.77	125.3	24.70	140.7	28.86	156.1	33.30
	37	79.1	15.04	94.5	18.41	109.9	22.13	117.6	24.18	125.3	26.22	140.7	30.63	156.1	35.43
	39	79.1	15.85	94.5	19.41	109.9	23.43	117.6	25.68	125.3	27.65	140.7	32.52	156.1	37.57

Notes:
 1. TC: Total Capacity(kW) PI : Power Input(kW)(Comp. + Outdoor fan motor)
 2. Capacity tables show the average value of conditions which may occur.

7. Capacity Tables

Cooling Capacity(70HP)

Combination (%)	Outdoor air temp °C DB	Indoor air temp. (DB/WB, °C)													
		20		23		26		27		28		30		32	
		14		16		18		19		20		22		24	
		TC	PI	TC	PI	TC	PI	TC	PI	TC	PI	TC	PI	TC	PI
50	10	66.1	8.52	79.1	9.88	91.7	11.23	98.0	12.03	104.3	12.76	116.9	14.36	130.2	15.99
	12	66.1	8.62	79.1	9.98	91.7	11.40	98.0	12.22	104.3	13.01	116.9	14.64	130.2	16.26
	14	66.1	8.72	79.1	10.15	91.7	11.58	98.0	12.39	104.3	13.20	116.9	14.81	130.2	16.53
	16	66.1	8.89	79.1	10.33	91.7	11.75	98.0	12.67	104.3	13.37	116.9	15.08	130.2	16.80
	18	66.1	8.97	79.1	10.42	91.7	11.95	98.0	12.83	104.3	13.65	116.9	15.34	130.2	17.15
	20	66.1	9.07	79.1	10.59	91.7	12.22	98.0	13.01	104.3	13.92	116.9	15.62	130.2	17.51
	21	66.1	9.16	79.1	10.69	91.7	12.30	98.0	13.20	104.3	14.02	116.9	15.79	130.2	17.68
	23	66.1	9.34	79.1	10.86	91.7	12.49	98.0	13.37	104.3	14.27	116.9	16.06	130.2	18.05
	25	66.1	9.43	79.1	11.04	91.7	12.76	98.0	13.65	104.3	14.73	116.9	16.88	130.2	19.31
	27	66.1	9.61	79.1	11.40	91.7	13.47	98.0	14.54	104.3	15.62	116.9	18.05	130.2	20.57
	29	66.1	10.15	79.1	12.12	91.7	14.27	98.0	15.44	104.3	16.61	116.9	19.12	130.2	21.83
	31	66.1	10.69	79.1	12.83	91.7	15.17	98.0	16.33	104.3	17.68	116.9	20.37	130.2	23.25
	33	66.1	11.31	79.1	13.55	91.7	16.06	98.0	17.32	104.3	18.77	116.9	21.63	130.2	24.78
	35	66.1	11.95	79.1	14.36	91.7	16.98	98.0	18.40	104.3	19.83	116.9	22.89	130.2	26.31
	37	66.1	12.67	79.1	15.17	91.7	17.96	98.0	19.49	104.3	21.01	116.9	24.41	130.2	27.91
	39	66.1	13.24	79.1	15.95	91.7	19.05	98.0	20.57	104.3	22.10	116.9	25.77	130.2	29.57

Notes:

1. TC: Total Capacity(kW) PI : Power Input(kW)(Comp. + Outdoor fan motor)
2. Capacity tables show the average value of conditions which may occur.

7. Capacity Tables

ARUB720LTE4

Cooling Capacity(72HP)

Combination (%)	Outdoor air temp °C DB	Indoor air temp. (DB/WB, °C)													
		20		23		26		27		28		30		32	
		14		16		18		19		20		22		24	
		TC	PI	TC	PI	TC	PI	TC	PI	TC	PI	TC	PI	TC	PI
130	10	184.3	17.58	219.6	21.47	254.8	24.90	264.5	25.40	267.5	25.69	274.3	25.81	281.0	25.98
	12	184.3	18.01	219.6	22.24	254.8	25.94	260.7	26.09	265.3	26.60	270.4	26.87	277.2	26.99
	14	184.3	18.60	219.6	23.04	254.1	26.91	257.7	27.10	260.7	27.56	267.5	27.82	274.3	28.03
	16	184.3	19.28	219.6	23.85	251.0	28.11	254.1	28.38	257.0	28.57	263.8	28.85	270.4	29.10
	18	184.3	20.09	219.6	25.23	247.3	29.64	250.3	29.86	254.1	30.04	260.7	30.18	267.5	30.36
	20	184.3	20.99	219.6	26.87	243.4	31.04	247.7	31.32	250.3	31.50	257.0	31.65	263.8	31.86
	21	184.3	21.53	219.6	27.82	242.0	31.75	245.8	32.08	248.8	32.23	255.6	32.40	262.4	32.58
	23	184.3	23.11	219.6	29.85	239.0	33.11	242.0	33.44	245.6	33.70	251.6	33.88	258.5	34.08
	25	184.3	24.68	219.6	31.90	235.3	34.59	239.1	34.92	242.0	35.16	248.8	35.35	255.6	35.56
	27	184.3	26.41	219.6	34.09	232.3	36.09	235.3	36.34	239.1	36.63	245.6	36.82	251.6	37.03
	29	184.3	28.13	219.6	36.46	228.5	37.57	231.9	37.83	235.3	38.10	242.0	38.29	248.8	38.51
	31	184.3	30.01	218.8	38.39	224.7	39.07	228.5	39.33	231.9	39.55	238.3	39.76	245.0	40.00
	33	184.3	31.98	215.0	39.86	221.7	40.56	225.3	40.83	228.5	41.02	235.3	41.23	241.2	41.48
	35	184.3	34.09	211.3	41.33	218.1	42.05	221.7	42.32	225.3	42.49	231.5	42.70	238.3	42.96
	37	184.3	35.31	208.4	42.12	215.0	42.88	218.1	43.21	221.7	43.38	227.8	43.52	234.6	43.85
	39	184.3	36.50	204.5	42.96	211.3	43.74	215.0	44.06	218.1	44.21	224.7	44.35	231.5	44.68
120	10	170.5	15.80	202.7	19.38	235.7	23.04	252.4	24.88	264.3	25.27	270.4	25.38	276.4	25.48
	12	170.5	16.22	202.7	20.02	235.7	23.94	252.4	25.40	260.6	26.21	266.4	26.52	272.5	26.64
	14	170.5	16.79	202.7	20.71	235.7	24.91	252.4	26.37	256.7	27.16	263.5	27.57	269.6	27.82
	16	170.5	17.40	202.7	21.56	235.7	25.88	250.9	27.78	253.9	28.42	259.8	28.56	265.7	28.86
	18	170.5	18.08	202.7	22.53	235.7	27.45	247.0	29.35	250.1	29.89	256.0	30.01	262.8	30.14
	20	170.5	18.76	202.7	23.89	235.7	29.25	244.0	31.04	247.0	31.36	253.0	31.48	259.2	31.61
	21	170.5	19.34	202.7	24.76	235.7	30.28	241.8	31.75	244.8	32.08	251.6	32.19	257.5	32.33
	23	170.5	20.67	202.7	26.48	235.7	32.29	238.7	33.16	241.8	33.55	247.7	33.66	253.9	33.80
	25	170.5	22.07	202.7	28.38	232.1	34.05	235.0	34.66	238.0	34.99	244.8	35.13	250.9	35.27
	27	170.5	23.58	202.7	30.32	228.9	35.78	232.1	36.07	235.0	36.45	241.2	36.59	247.0	36.74
	29	170.5	25.15	202.7	32.37	225.3	37.28	228.3	37.56	231.2	37.90	237.2	38.06	244.0	38.21
	31	170.5	26.80	202.7	34.56	221.5	38.82	225.3	38.97	228.3	39.36	234.4	39.51	240.2	39.69
	33	170.5	28.52	202.7	36.86	218.5	40.23	221.5	40.48	224.5	40.83	230.4	40.98	236.5	41.16
	35	170.5	30.32	202.7	39.30	214.9	41.80	217.7	41.95	221.5	42.28	227.5	42.45	233.6	42.63
	37	170.5	31.68	202.7	40.25	211.7	42.51	214.9	42.78	217.7	42.95	223.8	43.21	229.7	43.34
	39	170.5	33.01	202.0	41.20	208.0	43.25	210.9	43.56	213.9	43.68	220.7	43.96	226.8	44.08
110	10	155.9	14.21	186.1	17.33	216.0	20.57	231.0	22.28	245.9	23.97	264.7	24.94	270.7	25.05
	12	155.9	14.67	186.1	17.91	216.0	21.43	231.0	22.90	245.9	24.87	261.7	25.91	267.0	26.27
	14	155.9	15.12	186.1	18.72	216.0	22.40	231.0	24.04	245.9	26.12	258.1	26.87	263.9	27.45
	16	155.9	15.65	186.1	19.40	216.0	23.33	231.0	25.09	245.9	27.71	254.9	28.38	260.2	28.57
	18	155.9	16.22	186.1	20.21	216.0	24.68	231.0	26.74	245.9	29.35	251.2	29.83	257.3	29.95
	20	155.9	16.82	186.1	21.21	216.0	26.16	231.0	28.50	242.2	30.96	248.4	31.29	253.5	31.40
	21	155.9	17.19	186.1	21.85	216.0	27.10	231.0	29.53	240.8	31.65	245.9	32.01	250.2	32.14
	23	155.9	18.30	186.1	23.43	216.0	29.07	231.0	31.32	236.9	33.16	242.9	33.47	248.4	33.59
	25	155.9	19.56	186.1	24.98	216.0	31.11	231.0	33.16	234.0	34.56	239.3	34.92	245.2	35.06
	27	155.9	20.89	186.1	26.72	216.0	33.30	227.2	35.00	230.4	36.20	236.1	36.38	241.6	36.53
	29	155.9	22.32	186.1	28.52	216.0	35.52	224.2	36.49	227.2	37.65	232.5	37.83	238.4	37.97
	31	155.9	23.72	186.1	30.40	216.0	37.96	220.4	38.11	223.6	39.11	229.4	39.28	234.7	39.44
	33	155.9	25.30	186.1	32.37	214.5	40.08	217.5	39.82	220.4	40.58	225.7	40.73	231.7	40.91
	35	155.9	26.87	186.1	34.56	210.7	41.49	213.7	41.66	216.7	42.03	222.1	42.20	227.9	42.38
	37	155.9	27.92	186.1	35.63	207.7	42.23	210.7	42.28	213.0	42.65	218.9	42.91	224.2	43.02
	39	155.9	29.00	186.1	36.67	204.1	42.88	206.9	42.98	209.9	43.31	215.2	43.56	221.3	43.68
100	10	136.1	14.01	162.0	17.02	188.7	20.20	201.6	21.82	214.5	23.46	241.2	26.11	264.9	26.32
	12	136.1	14.47	162.0	17.72	188.7	20.88	201.6	22.43	214.5	24.20	241.2	27.51	261.3	27.78
	14	136.1	14.91	162.0	18.43	188.7	21.76	201.6	23.39	214.5	25.25	241.2	29.05	258.5	29.32
	16	136.1	15.36	162.0	19.03	188.7	22.68	201.6	24.49	214.5	26.61	241.2	30.45	254.9	30.89
	18	136.1	15.81	162.0	19.74	188.7	23.56	201.6	25.69	214.5	28.20	241.2	32.17	251.3	32.44
	20	136.1	16.38	162.0	20.49	188.7	24.94	201.6	27.53	214.5	30.18	241.2	33.71	247.7	34.00
	21	136.1	16.73	162.0	20.98	188.7	25.79	201.6	28.47	214.5	31.31	241.2	34.49	246.3	34.75
	23	136.1	17.72	162.0	22.43	188.7	27.70	201.6	30.53	214.5	33.54	237.8	36.12	243.1	36.40
	25	136.1	18.82	162.0	23.92	188.7	29.57	201.6	32.68	214.5	35.87	234.4	37.65	239.1	37.95
	27	136.1	20.12	162.0	25.54	188.7	31.65	201.6	34.92	214.5	38.14	230.8	39.42	236.1	39.73
	29	136.1	21.40	162.0	27.27	188.7	33.79	201.6	37.32	214.5	40.36	227.5	41.01	232.5	41.33
	31	136.1	22.89	162.0	29.07	188.7	36.02	201.6	39.80	214.5	42.42	224.0	42.59	228.9	42.95
	33	136.1	24.24	162.0	30.96	188.7	38.45	201.6	42.49	214.5	44.00	220.7	44.19	225.3	44.54
	35	136.1	25.79	162.0	32.93	188.7	40.93	201.6	45.32	211.3	45.60	217.1	45.78	221.7	46.14
	37	136.1	26.82	162.0	34.29	188.7	42.10	201.6	46.10	207.8	46.31	213.8	46.52	218.9	46.94
	39	136.1	27.85	162.0	35.66	188.7	43.20	201.6	46.85	204.4	47.06	210.3	47.23	215.3	47.67

Notes:
 1. TC: Total Capacity(kW) PI : Power Input(kW)(Comp. + Outdoor fan motor)
 2. Capacity tables show the average value of conditions which may occur.

7. Capacity Tables

Cooling Capacity(72HP)

Combination (%)	Outdoor air temp °C DB	Indoor air temp. (DB/WB, °C)													
		20		23		26		27		28		30		32	
		14		16		18		19		20		22		24	
		TC	PI	TC	PI	TC	PI	TC	PI	TC	PI	TC	PI	TC	PI
90	10	122.4	12.51	146.1	15.18	169.9	17.97	181.5	19.42	192.9	20.87	216.7	23.26	240.5	23.89
	12	122.4	12.86	146.1	15.71	169.9	18.54	181.5	19.92	192.9	21.49	216.7	24.35	240.5	25.03
	14	122.4	13.24	146.1	16.29	169.9	19.24	181.5	20.68	192.9	22.34	216.7	25.43	240.5	26.26
	16	122.4	13.60	146.1	16.76	169.9	19.91	181.5	21.47	192.9	23.22	216.7	26.05	240.5	27.46
	18	122.4	13.99	146.1	17.25	169.9	20.43	181.5	22.14	192.9	23.78	216.7	26.63	240.5	28.86
	20	122.4	14.37	146.1	17.62	169.9	20.84	181.5	22.55	192.9	24.68	216.7	28.50	240.5	30.23
	21	122.4	14.62	146.1	17.79	169.9	21.25	181.5	23.30	192.9	25.59	216.7	29.54	240.5	30.92
	23	122.4	14.99	146.1	18.54	169.9	22.72	181.5	25.02	192.9	27.38	216.7	31.54	237.2	32.38
	25	122.4	15.74	146.1	19.75	169.9	24.27	181.5	26.73	192.9	29.26	216.7	33.25	233.7	33.76
	27	122.4	16.81	146.1	21.08	169.9	25.90	181.5	28.54	192.9	31.32	216.7	34.92	230.4	35.36
	29	122.4	17.79	146.1	22.47	169.9	27.72	181.5	30.49	192.9	33.46	216.7	36.50	226.8	36.78
	31	122.4	18.95	146.1	23.95	169.9	29.52	181.5	32.48	192.9	35.66	216.7	37.93	223.6	38.19
	33	122.4	20.16	146.1	25.49	169.9	31.49	181.5	34.60	192.9	37.84	216.7	39.34	220.0	39.62
	35	122.4	21.39	146.1	27.06	169.9	33.46	181.5	36.89	192.9	39.89	213.0	40.75	216.7	41.05
	37	122.4	22.72	146.1	28.78	169.9	35.66	181.5	39.19	192.9	41.05	209.5	41.55	213.2	41.88
	39	122.4	24.05	146.1	30.62	169.9	37.69	181.5	41.03	192.9	41.95	206.2	42.35	209.8	42.68
80	10	108.7	12.43	129.6	15.05	150.5	17.76	161.3	19.19	172.1	20.60	192.9	23.15	213.9	23.66
	12	108.7	12.77	129.6	15.39	150.5	18.19	161.3	19.60	172.1	21.00	192.9	24.00	213.9	24.81
	14	108.7	13.08	129.6	15.73	150.5	18.46	161.3	19.94	172.1	21.35	192.9	24.44	213.9	26.03
	16	108.7	13.27	129.6	16.00	150.5	18.80	161.3	20.30	172.1	21.80	192.9	24.96	213.9	27.08
	18	108.7	13.53	129.6	16.26	150.5	19.17	161.3	20.66	172.1	22.24	192.9	25.41	213.9	27.68
	20	108.7	13.80	129.6	16.60	150.5	19.60	161.3	21.10	172.1	22.68	192.9	26.37	213.9	29.62
	21	108.7	13.87	129.6	16.80	150.5	19.77	161.3	21.35	172.1	23.21	192.9	27.20	213.9	30.57
	23	108.7	14.15	129.6	17.05	150.5	20.66	161.3	22.68	172.1	24.79	192.9	28.72	213.9	32.29
	25	108.7	14.67	129.6	18.19	150.5	22.14	161.3	24.26	172.1	26.54	192.9	30.73	213.9	33.76
	27	108.7	15.56	129.6	19.34	150.5	23.65	161.3	25.92	172.1	28.30	192.9	32.67	213.9	35.36
	29	108.7	16.52	129.6	20.66	150.5	25.13	161.3	27.61	172.1	30.23	192.9	34.98	213.9	36.78
	31	108.7	17.59	129.6	21.89	150.5	26.82	161.3	29.44	172.1	32.16	192.9	37.12	213.9	38.19
	33	108.7	18.63	129.6	23.38	150.5	28.57	161.3	31.37	172.1	34.28	192.9	38.89	213.9	39.62
	35	108.7	19.77	129.6	24.79	150.5	30.41	161.3	33.40	172.1	36.56	192.9	40.61	211.6	41.05
	37	108.7	20.92	129.6	26.35	150.5	32.25	161.3	35.50	172.1	38.84	192.9	41.55	208.1	41.88
	39	108.7	22.10	129.6	27.85	150.5	34.15	161.3	37.42	172.1	41.29	192.9	42.35	204.8	42.68
70	10	95.1	11.36	113.7	13.51	131.7	15.66	141.1	16.90	150.5	18.07	168.5	20.58	187.2	23.03
	12	95.1	11.53	113.7	13.68	131.7	16.00	141.1	17.17	150.5	18.43	168.5	20.94	187.2	23.44
	14	95.1	11.71	113.7	13.85	131.7	16.28	141.1	17.45	150.5	18.70	168.5	21.37	187.2	23.86
	16	95.1	11.91	113.7	14.13	131.7	16.55	141.1	17.81	150.5	19.05	168.5	21.75	187.2	24.39
	18	95.1	12.08	113.7	14.40	131.7	16.90	141.1	18.15	150.5	19.43	168.5	22.09	187.2	24.82
	20	95.1	12.25	113.7	14.68	131.7	17.17	141.1	18.52	150.5	19.87	168.5	22.64	187.2	25.76
	21	95.1	12.44	113.7	14.76	131.7	17.35	141.1	18.70	150.5	20.05	168.5	22.99	187.2	26.59
	23	95.1	12.61	113.7	15.13	131.7	17.72	141.1	19.32	150.5	21.02	168.5	24.59	187.2	28.06
	25	95.1	12.78	113.7	15.66	131.7	18.88	141.1	20.67	150.5	22.45	168.5	26.31	187.2	30.02
	27	95.1	13.51	113.7	16.73	131.7	20.13	141.1	21.92	150.5	23.97	168.5	28.08	187.2	31.92
	29	95.1	14.40	113.7	17.72	131.7	21.37	141.1	23.35	150.5	25.49	168.5	29.96	187.2	34.18
	31	95.1	15.30	113.7	18.88	131.7	22.82	141.1	24.97	150.5	27.19	168.5	31.93	187.2	36.28
	33	95.1	16.20	113.7	19.94	131.7	24.24	141.1	26.48	150.5	28.89	168.5	34.00	187.2	38.23
	35	95.1	17.08	113.7	21.30	131.7	25.76	141.1	28.19	150.5	30.78	168.5	36.22	187.2	40.54
	37	95.1	18.15	113.7	22.54	131.7	27.38	141.1	29.96	150.5	32.75	168.5	38.55	187.2	41.83
	39	95.1	19.09	113.7	23.82	131.7	28.98	141.1	31.62	150.5	34.67	168.5	40.86	187.2	42.68
60	10	81.3	10.02	97.2	11.74	113.1	13.66	120.9	14.66	128.9	15.57	144.7	17.66	160.5	19.75
	12	81.3	10.20	97.2	11.92	113.1	13.83	120.9	14.83	128.9	15.84	144.7	17.93	160.5	20.12
	14	81.3	10.28	97.2	12.11	113.1	14.11	120.9	15.12	128.9	16.12	144.7	18.29	160.5	20.48
	16	81.3	10.47	97.2	12.37	113.1	14.28	120.9	15.39	128.9	16.48	144.7	18.67	160.5	20.86
	18	81.3	10.66	97.2	12.57	113.1	14.56	120.9	15.67	128.9	16.76	144.7	18.94	160.5	21.31
	20	81.3	10.83	97.2	12.75	113.1	14.83	120.9	15.93	128.9	17.03	144.7	19.29	160.5	21.77
	21	81.3	10.93	97.2	12.85	113.1	15.02	120.9	16.12	128.9	17.21	144.7	19.57	160.5	21.94
	23	81.3	11.11	97.2	13.10	113.1	15.21	120.9	16.40	128.9	17.56	144.7	20.30	160.5	23.30
	25	81.3	11.28	97.2	13.38	113.1	15.84	120.9	17.21	128.9	18.67	144.7	21.67	160.5	24.94
	27	81.3	11.66	97.2	14.11	113.1	16.85	120.9	18.29	128.9	19.84	144.7	23.03	160.5	26.58
	29	81.3	12.37	97.2	15.02	113.1	17.93	120.9	19.48	128.9	21.11	144.7	24.58	160.5	28.42
	31	81.3	13.10	97.2	15.93	113.1	19.02	120.9	20.75	128.9	22.49	144.7	26.22	160.5	30.23
	33	81.3	13.83	97.2	16.85	113.1	20.20	120.9	22.04	128.9	23.94	144.7	27.86	160.5	32.22
	35	81.3	14.66	97.2	17.93	113.1	21.49	120.9	23.40	128.9	25.39	144.7	29.67	160.5	34.24
	37	81.3	15.47	97.2	18.92	113.1	22.75	120.9	24.86	128.9	26.95	144.7	31.49	160.5	36.43
	39	81.3	16.30	97.2	19.95	113.1	24.09	120.9	26.40	128.9	28.42	144.7	33.44	160.5	38.62

Outdoor Units

Notes:
 1. TC: Total Capacity(kW) PI: Power Input(kW)(Comp. + Outdoor fan motor)
 2. Capacity tables show the average value of conditions which may occur.

7. Capacity Tables

Cooling Capacity(72HP)

Combination (%)	Outdoor air temp °C DB	Indoor air temp. (DB/WB, °C)													
		20		23		26		27		28		30		32	
		14		16		18		19		20		22		24	
		TC	PI	TC	PI	TC	PI	TC	PI	TC	PI	TC	PI	TC	PI
50	10	68.0	8.79	81.3	10.19	94.3	11.59	100.8	12.41	107.3	13.16	120.3	14.81	133.9	16.49
	12	68.0	8.89	81.3	10.29	94.3	11.76	100.8	12.60	107.3	13.42	120.3	15.10	133.9	16.77
	14	68.0	9.00	81.3	10.47	94.3	11.95	100.8	12.78	107.3	13.62	120.3	15.27	133.9	17.05
	16	68.0	9.17	81.3	10.65	94.3	12.12	100.8	13.06	107.3	13.79	120.3	15.55	133.9	17.33
	18	68.0	9.25	81.3	10.74	94.3	12.32	100.8	13.24	107.3	14.08	120.3	15.83	133.9	17.69
	20	68.0	9.36	81.3	10.93	94.3	12.60	100.8	13.42	107.3	14.36	120.3	16.11	133.9	18.07
	21	68.0	9.45	81.3	11.03	94.3	12.68	100.8	13.62	107.3	14.46	120.3	16.29	133.9	18.24
	23	68.0	9.63	81.3	11.21	94.3	12.88	100.8	13.79	107.3	14.72	120.3	16.57	133.9	18.62
	25	68.0	9.73	81.3	11.39	94.3	13.16	100.8	14.08	107.3	15.19	120.3	17.41	133.9	19.92
	27	68.0	9.91	81.3	11.76	94.3	13.90	100.8	15.00	107.3	16.11	120.3	18.62	133.9	21.22
	29	68.0	10.47	81.3	12.50	94.3	14.72	100.8	15.93	107.3	17.13	120.3	19.72	133.9	22.51
	31	68.0	11.03	81.3	13.24	94.3	15.65	100.8	16.84	107.3	18.24	120.3	21.01	133.9	23.98
	33	68.0	11.67	81.3	13.98	94.3	16.57	100.8	17.86	107.3	19.36	120.3	22.31	133.9	25.56
	35	68.0	12.32	81.3	14.81	94.3	17.51	100.8	18.98	107.3	20.46	120.3	23.61	133.9	27.14
	37	68.0	13.06	81.3	15.65	94.3	18.53	100.8	20.10	107.3	21.67	120.3	25.18	133.9	28.79
	39	68.0	13.66	81.3	16.46	94.3	19.65	100.8	21.22	107.3	22.79	120.3	26.58	133.9	30.50

Notes:

1. TC: Total Capacity(kW) PI : Power Input(kW)(Comp. + Outdoor fan motor)
2. Capacity tables show the average value of conditions which may occur.

7. Capacity Tables

ARUB740LTE4

Cooling Capacity(74HP)

Combination (%)	Outdoor air temp °C DB	Indoor air temp. (DB/WB, °C)													
		20		23		26		27		28		30		32	
		14		16		18		19		20		22		24	
		TC	PI	TC	PI	TC	PI	TC	PI	TC	PI	TC	PI	TC	PI
130	10	189.5	18.40	225.7	22.47	261.9	26.07	271.9	26.59	274.9	26.89	281.9	27.02	288.8	27.19
	12	189.5	18.85	225.7	23.29	261.9	27.15	267.9	27.32	272.6	27.84	277.9	28.13	284.9	28.25
	14	189.5	19.47	225.7	24.12	261.1	28.17	264.9	28.37	267.9	28.86	274.9	29.12	281.9	29.35
	16	189.5	20.18	225.7	24.97	258.0	29.42	261.1	29.71	264.1	29.91	271.1	30.20	277.9	30.46
	18	189.5	21.04	225.7	26.41	254.1	31.02	257.2	31.26	261.1	31.45	267.9	31.60	274.9	31.78
	20	189.5	21.97	225.7	28.13	250.2	32.49	254.6	32.79	257.2	32.98	264.1	33.14	271.1	33.35
	21	189.5	22.54	225.7	29.12	248.7	33.24	252.6	33.58	255.7	33.74	262.7	33.92	269.7	34.11
	23	189.5	24.19	225.7	31.25	245.6	34.66	248.7	35.00	252.4	35.28	258.6	35.46	265.6	35.67
	25	189.5	25.84	225.7	33.40	241.9	36.21	245.7	36.56	248.7	36.81	255.7	37.00	262.7	37.23
	27	189.5	27.64	225.7	35.69	238.7	37.78	241.9	38.05	245.7	38.35	252.4	38.54	258.6	38.77
	29	189.5	29.45	225.7	38.16	234.9	39.34	238.3	39.60	241.9	39.89	248.7	40.08	255.7	40.31
	31	189.5	31.41	224.9	40.19	230.9	40.90	234.9	41.18	238.3	41.40	244.9	41.62	251.8	41.87
	33	189.5	33.48	221.0	41.73	227.9	42.46	231.6	42.74	234.9	42.94	241.9	43.17	247.9	43.43
	35	189.5	35.69	217.1	43.27	224.1	44.02	227.9	44.30	231.6	44.48	237.9	44.71	244.9	44.97
	37	189.5	36.96	214.2	44.10	221.0	44.89	224.1	45.24	227.9	45.42	234.1	45.56	241.1	45.90
	39	189.5	38.21	210.2	44.97	217.1	45.79	221.0	46.13	224.1	46.28	230.9	46.43	237.9	46.77
120	10	175.3	16.54	208.3	20.29	242.3	24.11	259.4	26.04	271.6	26.45	277.9	26.57	284.1	26.67
	12	175.3	16.98	208.3	20.96	242.3	25.07	259.4	26.59	267.8	27.44	273.8	27.77	280.1	27.88
	14	175.3	17.57	208.3	21.68	242.3	26.08	259.4	27.61	263.9	28.44	270.9	28.86	277.1	29.12
	16	175.3	18.22	208.3	22.57	242.3	27.09	257.8	29.08	260.9	29.75	267.0	29.89	273.1	30.21
	18	175.3	18.93	208.3	23.59	242.3	28.74	253.9	30.72	257.1	31.29	263.1	31.41	270.1	31.55
	20	175.3	19.64	208.3	25.01	242.3	30.62	250.8	32.49	253.9	32.83	260.0	32.95	266.4	33.09
	21	175.3	20.24	208.3	25.92	242.3	31.70	248.5	33.24	251.6	33.58	258.6	33.70	264.6	33.85
	23	175.3	21.64	208.3	27.72	242.3	33.81	245.4	34.71	248.5	35.12	254.6	35.24	260.9	35.39
	25	175.3	23.11	208.3	29.71	238.6	35.65	241.5	36.28	244.6	36.62	251.6	36.78	257.8	36.93
	27	175.3	24.68	208.3	31.74	235.3	37.45	238.6	37.76	241.5	38.16	247.9	38.31	253.9	38.47
	29	175.3	26.33	208.3	33.89	231.6	39.03	234.6	39.32	237.6	39.68	243.8	39.85	250.8	40.00
	31	175.3	28.05	208.3	36.18	227.6	40.64	231.6	40.80	234.6	41.21	240.9	41.36	246.9	41.54
	33	175.3	29.86	208.3	38.58	224.6	42.11	227.6	42.37	230.8	42.74	236.8	42.90	243.1	43.08
	35	175.3	31.74	208.3	41.14	220.8	43.76	223.8	43.92	227.6	44.26	233.9	44.44	240.1	44.62
	37	175.3	33.16	208.3	42.14	217.5	44.51	220.8	44.79	223.8	44.97	230.0	45.24	236.1	45.37
	39	175.3	34.56	207.6	43.13	213.8	45.27	216.8	45.60	219.8	45.72	226.9	46.02	233.1	46.14
110	10	160.3	14.88	191.2	18.14	222.0	21.54	237.4	23.33	252.8	25.09	272.0	26.11	278.3	26.22
	12	160.3	15.36	191.2	18.75	222.0	22.43	237.4	23.97	252.8	26.04	269.0	27.12	274.4	27.50
	14	160.3	15.82	191.2	19.60	222.0	23.45	237.4	25.17	252.8	27.34	265.2	28.13	271.3	28.73
	16	160.3	16.38	191.2	20.31	222.0	24.42	237.4	26.26	252.8	29.00	262.0	29.71	267.4	29.91
	18	160.3	16.98	191.2	21.15	222.0	25.84	237.4	27.99	252.8	30.72	258.2	31.23	264.5	31.36
	20	160.3	17.61	191.2	22.21	222.0	27.38	237.4	29.83	248.9	32.41	255.3	32.75	260.5	32.87
	21	160.3	17.99	191.2	22.88	222.0	28.37	237.4	30.91	247.5	33.14	252.8	33.51	259.0	33.65
	23	160.3	19.16	191.2	24.52	222.0	30.44	237.4	32.79	243.5	34.71	249.7	35.04	255.3	35.16
	25	160.3	20.47	191.2	26.15	222.0	32.57	237.4	34.72	240.5	36.18	246.0	36.56	252.0	36.70
	27	160.3	21.87	191.2	27.97	222.0	34.86	233.5	36.64	236.8	37.90	242.7	38.08	248.3	38.24
	29	160.3	23.37	191.2	29.86	222.0	37.19	230.4	38.20	233.5	39.42	239.0	39.60	245.0	39.75
	31	160.3	24.83	191.2	31.82	222.0	39.74	226.5	39.90	229.8	40.94	235.8	41.13	241.3	41.28
	33	160.3	26.49	191.2	33.89	220.5	41.95	223.5	41.69	226.5	42.48	232.0	42.64	238.2	42.82
	35	160.3	28.13	191.2	36.18	216.5	43.43	219.7	43.61	222.8	44.00	228.2	44.18	234.3	44.36
	37	160.3	29.23	191.2	37.29	213.5	44.20	216.5	44.26	218.9	44.65	225.0	44.92	230.4	45.04
	39	160.3	30.36	191.2	38.39	209.7	44.89	212.7	44.99	215.8	45.34	221.2	45.60	227.5	45.72
100	10	139.8	14.67	166.5	17.83	193.9	21.15	207.2	22.85	220.5	24.56	247.9	27.34	272.3	27.56
	12	139.8	15.15	166.5	18.55	193.9	21.86	207.2	23.48	220.5	25.34	247.9	28.81	268.6	29.08
	14	139.8	15.61	166.5	19.29	193.9	22.78	207.2	24.48	220.5	26.44	247.9	30.42	265.6	30.70
	16	139.8	16.09	166.5	19.93	193.9	23.75	207.2	25.64	220.5	27.86	247.9	31.88	261.9	32.34
	18	139.8	16.55	166.5	20.67	193.9	24.67	207.2	26.90	220.5	29.52	247.9	33.68	258.2	33.96
	20	139.8	17.15	166.5	21.45	193.9	26.11	207.2	28.82	220.5	31.60	247.9	35.30	254.5	35.59
	21	139.8	17.51	166.5	21.97	193.9	27.00	207.2	29.81	220.5	32.78	247.9	36.11	253.1	36.38
	23	139.8	18.55	166.5	23.49	193.9	29.00	207.2	31.96	220.5	35.12	244.4	37.81	249.8	38.11
	25	139.8	19.71	166.5	25.04	193.9	30.96	207.2	34.22	220.5	37.55	240.9	39.42	245.7	39.74
	27	139.8	21.07	166.5	26.74	193.9	33.14	207.2	36.56	220.5	39.93	237.2	41.27	242.7	41.60
	29	139.8	22.41	166.5	28.55	193.9	35.38	207.2	39.08	220.5	42.26	233.9	42.93	239.0	43.27
	31	139.8	23.96	166.5	30.44	193.9	37.72	207.2	41.68	220.5	44.41	230.2	44.59	235.3	44.97
	33	139.8	25.38	166.5	32.42	193.9	40.26	207.2	44.49	220.5	46.07	226.8	46.27	231.6	46.63
	35	139.8	27.00	166.5	34.48	193.9	42.86	207.2	47.45	217.2	47.75	223.2	47.93	227.9	48.31
	37	139.8	28.08	166.5	35.90	193.9	44.08	207.2	48.27	213.6	48.49	219.7	48.71	224.9	49.15
	39	139.8	29.16	166.5	37.34	193.9	45.23	207.2	49.05	210.1	49.27	216.1	49.45	221.2	49.91

Notes:

1. TC: Total Capacity(kW) PI : Power Input(kW)(Comp. + Outdoor fan motor)
2. Capacity tables show the average value of conditions which may occur.

7. Capacity Tables

Cooling Capacity(74HP)

Combination (%)	Outdoor air temp °C DB	Indoor air temp. (DB/WB, °C)													
		20		23		26		27		28		30		32	
		14		16		18		19		20		22		24	
		TC	PI	TC	PI	TC	PI	TC	PI	TC	PI	TC	PI	TC	PI
90	10	125.8	13.18	150.2	15.99	174.7	18.92	186.5	20.44	198.3	21.97	222.8	24.49	247.1	25.17
	12	125.8	13.54	150.2	16.53	174.7	19.50	186.5	20.96	198.3	22.62	222.8	25.61	247.1	26.43
	14	125.8	13.93	150.2	17.13	174.7	20.23	186.5	21.75	198.3	23.48	222.8	26.71	247.1	27.68
	16	125.8	14.31	150.2	17.61	174.7	20.92	186.5	22.56	198.3	24.39	222.8	27.36	247.1	28.91
	18	125.8	14.70	150.2	18.12	174.7	21.45	186.5	23.25	198.3	24.98	222.8	27.97	247.1	30.38
	20	125.8	15.10	150.2	18.51	174.7	21.88	186.5	23.68	198.3	25.92	222.8	29.93	247.1	31.82
	21	125.8	15.35	150.2	18.68	174.7	22.32	186.5	24.47	198.3	26.87	222.8	31.02	247.1	32.55
	23	125.8	15.75	150.2	19.47	174.7	23.86	186.5	26.27	198.3	28.76	222.8	33.13	243.8	34.09
	25	125.8	16.53	150.2	20.74	174.7	25.49	186.5	28.07	198.3	30.73	222.8	34.95	240.1	35.54
	27	125.8	17.65	150.2	22.14	174.7	27.21	186.5	29.97	198.3	32.89	222.8	36.73	236.8	37.22
	29	125.8	18.68	150.2	23.60	174.7	29.11	186.5	32.03	198.3	35.14	222.8	38.43	233.1	38.72
	31	125.8	19.90	150.2	25.15	174.7	31.00	186.5	34.11	198.3	37.45	222.8	39.94	229.8	40.20
	33	125.8	21.18	150.2	26.77	174.7	33.07	186.5	36.34	198.3	39.74	222.8	41.42	226.1	41.71
	35	125.8	22.46	150.2	28.42	174.7	35.14	186.5	38.74	198.3	41.90	218.9	42.91	222.7	43.22
	37	125.8	23.86	150.2	30.23	174.7	37.46	186.5	41.16	198.3	43.17	215.4	43.79	219.1	44.12
	39	125.8	25.26	150.2	32.16	174.7	39.58	186.5	43.10	198.3	44.18	211.9	44.66	215.6	45.00
80	10	111.8	12.98	133.2	15.71	154.6	18.53	165.7	20.03	176.8	21.50	198.3	24.18	219.8	24.77
	12	111.8	13.34	133.2	16.06	154.6	18.98	165.7	20.45	176.8	21.91	198.3	25.04	219.8	25.95
	14	111.8	13.66	133.2	16.42	154.6	19.26	165.7	20.81	176.8	22.28	198.3	25.50	219.8	27.19
	16	111.8	13.84	133.2	16.70	154.6	19.62	165.7	21.19	176.8	22.75	198.3	26.05	219.8	28.26
	18	111.8	14.12	133.2	16.96	154.6	20.01	165.7	21.56	176.8	23.21	198.3	26.52	219.8	28.89
	20	111.8	14.40	133.2	17.32	154.6	20.45	165.7	22.02	176.8	23.67	198.3	27.52	219.8	30.91
	21	111.8	14.48	133.2	17.53	154.6	20.63	165.7	22.28	176.8	24.22	198.3	28.38	219.8	31.91
	23	111.8	14.77	133.2	17.79	154.6	21.56	165.7	23.67	176.8	25.87	198.3	29.97	219.8	33.73
	25	111.8	15.32	133.2	18.98	154.6	23.11	165.7	25.32	176.8	27.70	198.3	32.07	219.8	35.35
	27	111.8	16.24	133.2	20.18	154.6	24.68	165.7	27.05	176.8	29.54	198.3	34.09	219.8	37.15
	29	111.8	17.24	133.2	21.56	154.6	26.23	165.7	28.81	176.8	31.54	198.3	36.51	219.8	38.72
	31	111.8	18.36	133.2	22.85	154.6	27.99	165.7	30.72	176.8	33.56	198.3	38.74	219.8	40.20
	33	111.8	19.44	133.2	24.40	154.6	29.82	165.7	32.74	176.8	35.78	198.3	40.60	219.8	41.71
	35	111.8	20.63	133.2	25.87	154.6	31.73	165.7	34.85	176.8	38.15	198.3	42.42	217.5	43.22
	37	111.8	21.83	133.2	27.50	154.6	33.66	165.7	37.05	176.8	40.54	198.3	43.47	213.9	44.12
	39	111.8	23.07	133.2	29.07	154.6	35.64	165.7	39.05	176.8	43.09	198.3	44.45	210.5	45.00
70	10	97.7	11.79	116.9	14.01	135.4	16.24	145.1	17.53	154.6	18.75	173.1	21.34	192.4	23.88
	12	97.7	11.96	116.9	14.19	135.4	16.60	145.1	17.81	154.6	19.12	173.1	21.72	192.4	24.32
	14	97.7	12.14	116.9	14.37	135.4	16.89	145.1	18.10	154.6	19.39	173.1	22.17	192.4	24.75
	16	97.7	12.35	116.9	14.66	135.4	17.17	145.1	18.47	154.6	19.76	173.1	22.56	192.4	25.29
	18	97.7	12.53	116.9	14.94	135.4	17.53	145.1	18.83	154.6	20.15	173.1	22.91	192.4	25.75
	20	97.7	12.71	116.9	15.23	135.4	17.81	145.1	19.21	154.6	20.61	173.1	23.48	192.4	26.72
	21	97.7	12.90	116.9	15.31	135.4	18.00	145.1	19.39	154.6	20.80	173.1	23.85	192.4	27.58
	23	97.7	13.08	116.9	15.69	135.4	18.38	145.1	20.04	154.6	21.80	173.1	25.51	192.4	29.10
	25	97.7	13.26	116.9	16.24	135.4	19.58	145.1	21.44	154.6	23.28	173.1	27.29	192.4	31.14
	27	97.7	14.01	116.9	17.36	135.4	20.88	145.1	22.74	154.6	24.86	173.1	29.13	192.4	33.11
	29	97.7	14.94	116.9	18.38	135.4	22.17	145.1	24.22	154.6	26.45	173.1	31.08	192.4	35.46
	31	97.7	15.87	116.9	19.58	135.4	23.67	145.1	25.90	154.6	28.21	173.1	33.12	192.4	37.64
	33	97.7	16.81	116.9	20.69	135.4	25.14	145.1	27.47	154.6	29.97	173.1	35.27	192.4	39.66
	35	97.7	17.71	116.9	22.09	135.4	26.72	145.1	29.24	154.6	31.93	173.1	37.57	192.4	42.05
	37	97.7	18.83	116.9	23.38	135.4	28.40	145.1	31.08	154.6	33.97	173.1	39.99	192.4	43.42
	39	97.7	19.80	116.9	24.71	135.4	30.06	145.1	32.80	154.6	35.97	173.1	42.38	192.4	44.39
60	10	83.6	10.33	99.9	12.10	116.2	14.08	124.3	15.12	132.4	16.05	148.8	18.21	165.0	20.36
	12	83.6	10.52	99.9	12.29	116.2	14.26	124.3	15.30	132.4	16.33	148.8	18.49	165.0	20.75
	14	83.6	10.60	99.9	12.49	116.2	14.55	124.3	15.59	132.4	16.62	148.8	18.86	165.0	21.12
	16	83.6	10.80	99.9	12.76	116.2	14.73	124.3	15.86	132.4	16.99	148.8	19.25	165.0	21.51
	18	83.6	10.99	99.9	12.96	116.2	15.02	124.3	16.15	132.4	17.28	148.8	19.53	165.0	21.98
	20	83.6	11.17	99.9	13.15	116.2	15.30	124.3	16.42	132.4	17.56	148.8	19.90	165.0	22.44
	21	83.6	11.27	99.9	13.25	116.2	15.49	124.3	16.62	132.4	17.75	148.8	20.18	165.0	22.62
	23	83.6	11.46	99.9	13.51	116.2	15.69	124.3	16.91	132.4	18.10	148.8	20.93	165.0	24.03
	25	83.6	11.63	99.9	13.79	116.2	16.33	124.3	17.75	132.4	19.25	148.8	22.34	165.0	25.72
	27	83.6	12.02	99.9	14.55	116.2	17.38	124.3	18.86	132.4	20.46	148.8	23.75	165.0	27.41
	29	83.6	12.76	99.9	15.49	116.2	18.49	124.3	20.08	132.4	21.77	148.8	25.35	165.0	29.30
	31	83.6	13.51	99.9	16.42	116.2	19.62	124.3	21.40	132.4	23.19	148.8	27.04	165.0	31.17
	33	83.6	14.26	99.9	17.38	116.2	20.83	124.3	22.72	132.4	24.68	148.8	28.72	165.0	33.22
	35	83.6	15.12	99.9	18.49	116.2	22.15	124.3	24.13	132.4	26.19	148.8	30.59	165.0	35.30
	37	83.6	15.95	99.9	19.51	116.2	23.46	124.3	25.64	132.4	27.79	148.8	32.48	165.0	37.56
	39	83.6	16.81	99.9	20.58	116.2	24.84	124.3	27.22	132.4	29.31	148.8	34.48	165.0	39.83

Notes:
 1. TC: Total Capacity(kW) PI : Power Input(kW)(Comp. + Outdoor fan motor)
 2. Capacity tables show the average value of conditions which may occur.

7. Capacity Tables

Cooling Capacity(74HP)

Combination (%)	Outdoor air temp °C DB	Indoor air temp. (DB/WB, °C)													
		20		23		26		27		28		30		32	
		14		16		18		19		20		22		24	
		TC	PI	TC	PI	TC	PI	TC	PI	TC	PI	TC	PI	TC	PI
50	10	69.9	9.01	83.6	10.45	97.0	11.88	103.6	12.72	110.2	13.50	123.6	15.19	137.7	16.90
	12	69.9	9.11	83.6	10.55	97.0	12.06	103.6	12.92	110.2	13.75	123.6	15.48	137.7	17.19
	14	69.9	9.22	83.6	10.74	97.0	12.25	103.6	13.11	110.2	13.96	123.6	15.66	137.7	17.48
	16	69.9	9.40	83.6	10.92	97.0	12.43	103.6	13.39	110.2	14.14	123.6	15.95	137.7	17.77
	18	69.9	9.48	83.6	11.02	97.0	12.63	103.6	13.57	110.2	14.43	123.6	16.23	137.7	18.14
	20	69.9	9.59	83.6	11.20	97.0	12.92	103.6	13.75	110.2	14.72	123.6	16.51	137.7	18.52
	21	69.9	9.69	83.6	11.30	97.0	13.00	103.6	13.96	110.2	14.82	123.6	16.70	137.7	18.70
	23	69.9	9.87	83.6	11.49	97.0	13.21	103.6	14.14	110.2	15.09	123.6	16.99	137.7	19.09
	25	69.9	9.98	83.6	11.67	97.0	13.50	103.6	14.43	110.2	15.58	123.6	17.85	137.7	20.43
	27	69.9	10.16	83.6	12.06	97.0	14.25	103.6	15.38	110.2	16.51	123.6	19.09	137.7	21.75
	29	69.9	10.74	83.6	12.82	97.0	15.09	103.6	16.33	110.2	17.56	123.6	20.22	137.7	23.08
	31	69.9	11.30	83.6	13.57	97.0	16.04	103.6	17.27	110.2	18.70	123.6	21.54	137.7	24.59
	33	69.9	11.96	83.6	14.33	97.0	16.99	103.6	18.32	110.2	19.85	123.6	22.88	137.7	26.20
	35	69.9	12.63	83.6	15.19	97.0	17.95	103.6	19.46	110.2	20.97	123.6	24.20	137.7	27.83
	37	69.9	13.39	83.6	16.04	97.0	18.99	103.6	20.61	110.2	22.22	123.6	25.81	137.7	29.52
	39	69.9	14.00	83.6	16.87	97.0	20.14	103.6	21.75	110.2	23.37	123.6	27.25	137.7	31.27

Notes:

1. TC: Total Capacity(kW) PI : Power Input(kW)(Comp. + Outdoor fan motor)
2. Capacity tables show the average value of conditions which may occur.

7. Capacity Tables

ARUB760LTE4

Cooling Capacity(76HP)

Combination (%)	Outdoor air temp °C DB	Indoor air temp. (DB/WB, °C)													
		20		23		26		27		28		30		32	
		14		16		18		19		20		22		24	
		TC	PI	TC	PI	TC	PI	TC	PI	TC	PI	TC	PI	TC	PI
130	10	194.6	18.16	231.8	22.18	269.0	25.72	279.2	26.24	282.4	26.54	289.6	26.66	296.6	26.84
	12	194.6	18.60	231.8	22.98	269.0	26.80	275.2	26.96	280.0	27.48	285.4	27.76	292.6	27.88
	14	194.6	19.22	231.8	23.80	268.2	27.80	272.0	28.00	275.2	28.48	282.4	28.74	289.6	28.96
	16	194.6	19.92	231.8	24.64	265.0	29.04	268.2	29.32	271.2	29.52	278.4	29.80	285.4	30.06
	18	194.6	20.76	231.8	26.06	261.0	30.62	264.2	30.84	268.2	31.04	275.2	31.18	282.4	31.36
	20	194.6	21.68	231.8	27.76	257.0	32.06	261.4	32.36	264.2	32.54	271.2	32.70	278.4	32.92
	21	194.6	22.24	231.8	28.74	255.4	32.80	259.4	33.14	262.6	33.30	269.8	33.48	277.0	33.66
	23	194.6	23.88	231.8	30.84	252.2	34.20	255.4	34.54	259.2	34.82	265.6	35.00	272.8	35.20
	25	194.6	25.50	231.8	32.96	248.4	35.74	252.4	36.08	255.4	36.32	262.6	36.52	269.8	36.74
	27	194.6	27.28	231.8	35.22	245.2	37.28	248.4	37.54	252.4	37.84	259.2	38.04	265.6	38.26
	29	194.6	29.06	231.8	37.66	241.2	38.82	244.8	39.08	248.4	39.36	255.4	39.56	262.6	39.78
	31	194.6	31.00	231.0	39.66	237.2	40.36	241.2	40.64	244.8	40.86	251.6	41.08	258.6	41.32
	33	194.6	33.04	227.0	41.18	234.0	41.90	237.8	42.18	241.2	42.38	248.4	42.60	254.6	42.86
	35	194.6	35.22	223.0	42.70	230.2	43.44	234.0	43.72	237.8	43.90	244.4	44.12	251.6	44.38
	37	194.6	36.48	220.0	43.52	227.0	44.30	230.2	44.64	234.0	44.82	240.4	44.96	247.6	45.30
	39	194.6	37.70	215.8	44.38	223.0	45.18	227.0	45.52	230.2	45.68	237.2	45.82	244.4	46.16
120	10	180.0	16.32	214.0	20.02	248.8	23.80	266.4	25.70	279.0	26.10	285.4	26.22	291.8	26.32
	12	180.0	16.76	214.0	20.68	248.8	24.74	266.4	26.24	275.0	27.08	281.2	27.40	287.6	27.52
	14	180.0	17.34	214.0	21.40	248.8	25.74	266.4	27.24	271.0	28.06	278.2	28.48	284.6	28.74
	16	180.0	17.98	214.0	22.28	248.8	26.74	264.8	28.70	268.0	29.36	274.2	29.50	280.4	29.82
	18	180.0	18.68	214.0	23.28	248.8	28.36	260.8	30.32	264.0	30.88	270.2	31.00	277.4	31.14
	20	180.0	19.38	214.0	24.68	248.8	30.22	257.6	32.06	260.8	32.40	267.0	32.52	273.6	32.66
	21	180.0	19.98	214.0	25.58	248.8	31.28	255.2	32.80	258.4	33.14	265.6	33.26	271.8	33.40
	23	180.0	21.36	214.0	27.36	248.8	33.36	252.0	34.26	255.2	34.66	261.4	34.78	268.0	34.92
	25	180.0	22.80	214.0	29.32	245.0	35.18	248.0	35.80	251.2	36.14	258.4	36.30	264.8	36.44
	27	180.0	24.36	214.0	31.32	241.6	36.96	245.0	37.26	248.0	37.66	254.6	37.80	260.8	37.96
	29	180.0	25.98	214.0	33.44	237.8	38.52	241.0	38.80	244.0	39.16	250.4	39.32	257.6	39.48
	31	180.0	27.68	214.0	35.70	233.8	40.10	237.8	40.26	241.0	40.66	247.4	40.82	253.6	41.00
	33	180.0	29.46	214.0	38.08	230.6	41.56	233.8	41.82	237.0	42.18	243.2	42.34	249.6	42.52
	35	180.0	31.32	214.0	40.60	226.8	43.18	229.8	43.34	233.8	43.68	240.2	43.86	246.6	44.04
	37	180.0	32.72	214.0	41.58	223.4	43.92	226.8	44.20	229.8	44.38	236.2	44.64	242.4	44.78
	39	180.0	34.10	213.2	42.56	219.6	44.68	222.6	45.00	225.8	45.12	233.0	45.42	239.4	45.54
110	10	164.6	14.68	196.4	17.90	228.0	21.26	243.8	23.02	259.6	24.76	279.4	25.76	285.8	25.88
	12	164.6	15.16	196.4	18.50	228.0	22.14	243.8	23.66	259.6	25.70	276.2	26.76	281.8	27.14
	14	164.6	15.62	196.4	19.34	228.0	23.14	243.8	24.84	259.6	26.98	272.4	27.76	278.6	28.36
	16	164.6	16.16	196.4	20.04	228.0	24.10	243.8	25.92	259.6	28.62	269.0	29.32	274.6	29.52
	18	164.6	16.76	196.4	20.88	228.0	25.50	243.8	27.62	259.6	30.32	265.2	30.82	271.6	30.94
	20	164.6	17.38	196.4	21.92	228.0	27.02	243.8	29.44	255.6	31.98	262.2	32.32	267.6	32.44
	21	164.6	17.76	196.4	22.58	228.0	28.00	243.8	30.50	254.2	32.70	259.6	33.06	266.0	33.20
	23	164.6	18.90	196.4	24.20	228.0	30.04	243.8	32.36	250.0	34.26	256.4	34.58	262.2	34.70
	25	164.6	20.20	196.4	25.80	228.0	32.14	243.8	34.26	247.0	35.70	252.6	36.08	258.8	36.22
	27	164.6	21.58	196.4	27.60	228.0	34.40	239.8	36.16	243.2	37.40	249.2	37.58	255.0	37.74
	29	164.6	23.06	196.4	29.46	228.0	36.70	236.6	37.70	239.8	38.90	245.4	39.08	251.6	39.22
	31	164.6	24.50	196.4	31.40	228.0	39.22	232.6	39.38	236.0	40.40	242.2	40.58	247.8	40.74
	33	164.6	26.14	196.4	33.44	226.4	41.40	229.6	41.14	232.6	41.92	238.2	42.08	244.6	42.26
	35	164.6	27.76	196.4	35.70	222.4	42.86	225.6	43.04	228.8	43.42	234.4	43.60	240.6	43.78
	37	164.6	28.84	196.4	36.80	219.2	43.62	222.4	43.68	224.8	44.06	231.0	44.32	236.6	44.44
	39	164.6	29.96	196.4	37.88	215.4	44.30	218.4	44.40	221.6	44.74	227.2	45.00	233.6	45.12
100	10	143.6	14.68	171.0	17.84	199.2	21.16	212.8	22.86	226.4	24.58	254.6	27.36	279.6	27.58
	12	143.6	15.16	171.0	18.56	199.2	21.88	212.8	23.50	226.4	25.36	254.6	28.82	275.8	29.10
	14	143.6	15.62	171.0	19.30	199.2	22.80	212.8	24.50	226.4	26.46	254.6	30.44	272.8	30.72
	16	143.6	16.10	171.0	19.94	199.2	23.76	212.8	25.66	226.4	27.88	254.6	31.90	269.0	32.36
	18	143.6	16.56	171.0	20.68	199.2	24.68	212.8	26.92	226.4	29.54	254.6	33.70	265.2	33.98
	20	143.6	17.16	171.0	21.46	199.2	26.12	212.8	28.84	226.4	31.62	254.6	35.32	261.4	35.62
	21	143.6	17.52	171.0	21.98	199.2	27.02	212.8	29.82	226.4	32.80	254.6	36.14	260.0	36.40
	23	143.6	18.56	171.0	23.50	199.2	29.02	212.8	31.98	226.4	35.14	251.0	37.84	256.6	38.14
	25	143.6	19.72	171.0	25.06	199.2	30.98	212.8	34.24	226.4	37.58	247.4	39.44	252.4	39.76
	27	143.6	21.08	171.0	26.76	199.2	33.16	212.8	36.58	226.4	39.96	243.6	41.30	249.2	41.62
	29	143.6	22.42	171.0	28.56	199.2	35.40	212.8	39.10	226.4	42.28	240.2	42.96	245.4	43.30
	31	143.6	23.98	171.0	30.46	199.2	37.74	212.8	41.70	226.4	44.44	236.4	44.62	241.6	45.00
	33	143.6	25.40	171.0	32.44	199.2	40.28	212.8	44.52	226.4	46.10	233.0	46.30	237.8	46.66
	35	143.6	27.02	171.0	34.50	199.2	42.88	212.8	47.48	223.0	47.78	229.2	47.96	234.0	48.34
	37	143.6	28.10	171.0	35.92	199.2	44.10	212.8	48.30	219.4	48.52	225.6	48.74	231.0	49.18
	39	143.6	29.18	171.0	37.36	199.2	45.26	212.8	49.08	215.8	49.30	222.0	49.48	227.2	49.94

Notes:

1. TC: Total Capacity(kW) PI : Power Input(kW)(Comp. + Outdoor fan motor)
2. Capacity tables show the average value of conditions which may occur.

7. Capacity Tables

Cooling Capacity(76HP)

Combination (%)	Outdoor air temp °C DB	Indoor air temp. (DB/WB, °C)													
		20		23		26		27		28		30		32	
		14		16		18		19		20		22		24	
		TC	PI	TC	PI	TC	PI	TC	PI	TC	PI	TC	PI	TC	PI
90	10	129.2	13.22	154.2	16.08	179.4	19.06	191.6	20.60	203.6	22.14	228.8	24.64	253.8	24.84
	12	129.2	13.64	154.2	16.72	179.4	19.72	191.6	21.16	203.6	22.84	228.8	25.96	253.8	26.22
	14	129.2	14.08	154.2	17.40	179.4	20.54	191.6	22.06	203.6	23.84	228.8	27.14	253.8	27.68
	16	129.2	14.50	154.2	17.90	179.4	21.26	191.6	22.92	203.6	24.78	228.8	27.80	253.8	29.14
	18	129.2	14.94	154.2	18.42	179.4	21.80	191.6	23.62	203.6	25.38	228.8	28.42	253.8	30.62
	20	129.2	15.34	154.2	18.80	179.4	22.24	191.6	24.06	203.6	26.34	228.8	30.42	253.8	32.08
	21	129.2	15.60	154.2	18.98	179.4	22.68	191.6	24.86	203.6	27.30	228.8	31.52	253.8	32.80
	23	129.2	16.00	154.2	19.78	179.4	24.24	191.6	26.70	203.6	29.22	228.8	33.66	250.4	34.36
	25	129.2	16.80	154.2	21.08	179.4	25.90	191.6	28.52	203.6	31.22	228.8	35.52	246.6	35.82
	27	129.2	17.94	154.2	22.50	179.4	27.64	191.6	30.46	203.6	33.42	228.8	37.22	243.2	37.52
	29	129.2	18.98	154.2	23.98	179.4	29.58	191.6	32.54	203.6	35.70	228.8	38.70	239.4	39.02
	31	129.2	20.22	154.2	25.56	179.4	31.50	191.6	34.66	203.6	38.06	228.8	40.22	236.0	40.52
	33	129.2	21.52	154.2	27.20	179.4	33.60	191.6	36.92	203.6	40.38	228.8	41.70	232.2	42.04
	35	129.2	22.82	154.2	28.88	179.4	35.70	191.6	39.36	203.6	42.58	224.8	43.20	228.8	43.56
	37	129.2	24.24	154.2	30.72	179.4	38.06	191.6	41.82	203.6	43.74	221.2	43.90	225.0	44.30
	39	129.2	25.66	154.2	32.68	179.4	40.22	191.6	43.80	203.6	44.42	217.6	44.60	221.4	45.00
80	10	114.8	13.22	136.8	16.02	158.8	18.90	170.2	20.42	181.6	21.92	203.6	24.64	225.8	24.84
	12	114.8	13.60	136.8	16.38	158.8	19.36	170.2	20.86	181.6	22.34	203.6	25.54	225.8	26.22
	14	114.8	13.92	136.8	16.74	158.8	19.64	170.2	21.22	181.6	22.72	203.6	26.00	225.8	27.68
	16	114.8	14.12	136.8	17.02	158.8	20.00	170.2	21.60	181.6	23.20	203.6	26.56	225.8	28.82
	18	114.8	14.40	136.8	17.30	158.8	20.40	170.2	21.98	181.6	23.66	203.6	27.04	225.8	29.46
	20	114.8	14.68	136.8	17.66	158.8	20.86	170.2	22.46	181.6	24.14	203.6	28.06	225.8	31.52
	21	114.8	14.76	136.8	17.88	158.8	21.04	170.2	22.72	181.6	24.70	203.6	28.94	225.8	32.54
	23	114.8	15.06	136.8	18.14	158.8	21.98	170.2	24.14	181.6	26.38	203.6	30.56	225.8	34.36
	25	114.8	15.62	136.8	19.36	158.8	23.56	170.2	25.82	181.6	28.24	203.6	32.70	225.8	35.82
	27	114.8	16.56	136.8	20.58	158.8	25.16	170.2	27.58	181.6	30.12	203.6	34.76	225.8	37.52
	29	114.8	17.58	136.8	21.98	158.8	26.74	170.2	29.38	181.6	32.16	203.6	37.22	225.8	39.02
	31	114.8	18.72	136.8	23.30	158.8	28.54	170.2	31.32	181.6	34.22	203.6	39.50	225.8	40.52
	33	114.8	19.82	136.8	24.88	158.8	30.40	170.2	33.38	181.6	36.48	203.6	41.40	225.8	42.04
	35	114.8	21.04	136.8	26.38	158.8	32.36	170.2	35.54	181.6	38.90	203.6	43.20	223.4	43.56
	37	114.8	22.26	136.8	28.04	158.8	34.32	170.2	37.78	181.6	41.34	203.6	43.90	219.6	44.30
	39	114.8	23.52	136.8	29.64	158.8	36.34	170.2	39.82	181.6	43.94	203.6	44.60	216.2	45.00
70	10	100.4	12.06	120.0	14.34	139.0	16.62	149.0	17.94	158.8	19.18	177.8	21.84	197.6	24.44
	12	100.4	12.24	120.0	14.52	139.0	16.98	149.0	18.22	158.8	19.56	177.8	22.22	197.6	24.88
	14	100.4	12.42	120.0	14.70	139.0	17.28	149.0	18.52	158.8	19.84	177.8	22.68	197.6	25.32
	16	100.4	12.64	120.0	15.00	139.0	17.56	149.0	18.90	158.8	20.22	177.8	23.08	197.6	25.88
	18	100.4	12.82	120.0	15.28	139.0	17.94	149.0	19.26	158.8	20.62	177.8	23.44	197.6	26.34
	20	100.4	13.00	120.0	15.58	139.0	18.22	149.0	19.66	158.8	21.08	177.8	24.02	197.6	27.34
	21	100.4	13.20	120.0	15.66	139.0	18.42	149.0	19.84	158.8	21.28	177.8	24.40	197.6	28.22
	23	100.4	13.38	120.0	16.06	139.0	18.80	149.0	20.50	158.8	22.30	177.8	26.10	197.6	29.78
	25	100.4	13.56	120.0	16.62	139.0	20.04	149.0	21.94	158.8	23.82	177.8	27.92	197.6	31.86
	27	100.4	14.34	120.0	17.76	139.0	21.36	149.0	23.26	158.8	25.44	177.8	29.80	197.6	33.88
	29	100.4	15.28	120.0	18.80	139.0	22.68	149.0	24.78	158.8	27.06	177.8	31.80	197.6	36.28
	31	100.4	16.24	120.0	20.04	139.0	24.22	149.0	26.50	158.8	28.86	177.8	33.88	197.6	38.50
	33	100.4	17.20	120.0	21.16	139.0	25.72	149.0	28.10	158.8	30.66	177.8	36.08	197.6	40.58
	35	100.4	18.12	120.0	22.60	139.0	27.34	149.0	29.92	158.8	32.66	177.8	38.44	197.6	43.02
	37	100.4	19.26	120.0	23.92	139.0	29.06	149.0	31.80	158.8	34.76	177.8	40.92	197.6	44.30
	39	100.4	20.26	120.0	25.28	139.0	30.76	149.0	33.56	158.8	36.80	177.8	43.36	197.6	45.00
60	10	85.8	10.60	102.6	12.42	119.4	14.46	127.6	15.52	136.0	16.48	152.8	18.70	169.4	20.90
	12	85.8	10.80	102.6	12.62	119.4	14.64	127.6	15.70	136.0	16.76	152.8	18.98	169.4	21.30
	14	85.8	10.88	102.6	12.82	119.4	14.94	127.6	16.00	136.0	17.06	152.8	19.36	169.4	21.68
	16	85.8	11.08	102.6	13.10	119.4	15.12	127.6	16.28	136.0	17.44	152.8	19.76	169.4	22.08
	18	85.8	11.28	102.6	13.30	119.4	15.42	127.6	16.58	136.0	17.74	152.8	20.04	169.4	22.56
	20	85.8	11.46	102.6	13.50	119.4	15.70	127.6	16.86	136.0	18.02	152.8	20.42	169.4	23.04
	21	85.8	11.56	102.6	13.60	119.4	15.90	127.6	17.06	136.0	18.22	152.8	20.72	169.4	23.22
	23	85.8	11.76	102.6	13.86	119.4	16.10	127.6	17.36	136.0	18.58	152.8	21.48	169.4	24.66
	25	85.8	11.94	102.6	14.16	119.4	16.76	127.6	18.22	136.0	19.76	152.8	22.94	169.4	26.40
	27	85.8	12.34	102.6	14.94	119.4	17.84	127.6	19.36	136.0	21.00	152.8	24.38	169.4	28.14
	29	85.8	13.10	102.6	15.90	119.4	18.98	127.6	20.62	136.0	22.34	152.8	26.02	169.4	30.08
	31	85.8	13.86	102.6	16.86	119.4	20.14	127.6	21.96	136.0	23.80	152.8	27.76	169.4	32.00
	33	85.8	14.64	102.6	17.84	119.4	21.38	127.6	23.32	136.0	25.34	152.8	29.48	169.4	34.10
	35	85.8	15.52	102.6	18.98	119.4	22.74	127.6	24.76	136.0	26.88	152.8	31.40	169.4	36.24
	37	85.8	16.38	102.6	20.02	119.4	24.08	127.6	26.32	136.0	28.52	152.8	33.34	169.4	38.56
	39	85.8	17.26	102.6	21.12	119.4	25.50	127.6	27.94	136.0	30.08	152.8	35.40	169.4	40.88

Outdoor Units

Notes:

1. TC: Total Capacity(kW) PI : Power Input(kW)(Comp. + Outdoor fan motor)
2. Capacity tables show the average value of conditions which may occur.

7. Capacity Tables

Cooling Capacity(76HP)

Combination (%)	Outdoor air temp °C DB	Indoor air temp. (DB/WB, °C)													
		20		23		26		27		28		30		32	
		14		16		18		19		20		22		24	
		TC	PI	TC	PI	TC	PI	TC	PI	TC	PI	TC	PI	TC	PI
50	10	71.8	9.28	85.8	10.76	99.6	12.24	106.4	13.10	113.2	13.90	127.0	15.64	141.4	17.40
	12	71.8	9.38	85.8	10.86	99.6	12.42	106.4	13.30	113.2	14.16	127.0	15.94	141.4	17.70
	14	71.8	9.50	85.8	11.06	99.6	12.62	106.4	13.50	113.2	14.38	127.0	16.12	141.4	18.00
	16	71.8	9.68	85.8	11.24	99.6	12.80	106.4	13.78	113.2	14.56	127.0	16.42	141.4	18.30
	18	71.8	9.76	85.8	11.34	99.6	13.00	106.4	13.98	113.2	14.86	127.0	16.72	141.4	18.68
	20	71.8	9.88	85.8	11.54	99.6	13.30	106.4	14.16	113.2	15.16	127.0	17.00	141.4	19.08
	21	71.8	9.98	85.8	11.64	99.6	13.38	106.4	14.38	113.2	15.26	127.0	17.20	141.4	19.26
	23	71.8	10.16	85.8	11.84	99.6	13.60	106.4	14.56	113.2	15.54	127.0	17.50	141.4	19.66
	25	71.8	10.28	85.8	12.02	99.6	13.90	106.4	14.86	113.2	16.04	127.0	18.38	141.4	21.04
	27	71.8	10.46	85.8	12.42	99.6	14.68	106.4	15.84	113.2	17.00	127.0	19.66	141.4	22.40
	29	71.8	11.06	85.8	13.20	99.6	15.54	106.4	16.82	113.2	18.08	127.0	20.82	141.4	23.76
	31	71.8	11.64	85.8	13.98	99.6	16.52	106.4	17.78	113.2	19.26	127.0	22.18	141.4	25.32
	33	71.8	12.32	85.8	14.76	99.6	17.50	106.4	18.86	113.2	20.44	127.0	23.56	141.4	26.98
	35	71.8	13.00	85.8	15.64	99.6	18.48	106.4	20.04	113.2	21.60	127.0	24.92	141.4	28.66
	37	71.8	13.78	85.8	16.52	99.6	19.56	106.4	21.22	113.2	22.88	127.0	26.58	141.4	30.40
	39	71.8	14.42	85.8	17.38	99.6	20.74	106.4	22.40	113.2	24.06	127.0	28.06	141.4	32.20

Notes:

1. TC: Total Capacity(kW) PI : Power Input(kW)(Comp. + Outdoor fan motor)
2. Capacity tables show the average value of conditions which may occur.

7. Capacity Tables

ARUB780LTE4

Cooling Capacity(78HP)

Combination (%)	Outdoor air temp °C DB	Indoor air temp. (DB/WB, °C)													
		20		23		26		27		28		30		32	
		14		16		18		19		20		22		24	
		TC	PI	TC	PI	TC	PI	TC	PI	TC	PI	TC	PI	TC	PI
130	10	199.7	18.88	237.9	23.05	276.1	26.74	286.6	27.28	289.8	27.59	297.2	27.71	304.5	27.90
	12	199.7	19.34	237.9	23.89	276.1	27.86	282.4	28.02	287.4	28.56	292.9	28.86	300.3	28.98
	14	199.7	19.97	237.9	24.74	275.3	28.90	279.2	29.10	282.4	29.60	289.8	29.87	297.2	30.10
	16	199.7	20.70	237.9	25.62	271.9	30.18	275.3	30.48	278.4	30.68	285.8	30.98	292.9	31.25
	18	199.7	21.58	237.9	27.09	267.9	31.83	271.1	32.06	275.3	32.26	282.4	32.41	289.8	32.60
	20	199.7	22.54	237.9	28.86	263.7	33.33	268.3	33.64	271.1	33.83	278.4	33.99	285.8	34.22
	21	199.7	23.12	237.9	29.87	262.1	34.10	266.3	34.45	269.5	34.61	276.9	34.80	284.3	34.99
	23	199.7	24.82	237.9	32.06	258.9	35.56	262.1	35.91	266.0	36.19	272.6	36.38	280.0	36.60
	25	199.7	26.51	237.9	34.26	255.0	37.15	259.0	37.50	262.1	37.76	269.5	37.96	276.9	38.19
	27	199.7	28.36	237.9	36.61	251.6	38.76	255.0	39.03	259.0	39.34	266.0	39.54	272.6	39.77
	29	199.7	30.21	237.9	39.15	247.6	40.35	251.2	40.62	255.0	40.92	262.1	41.12	269.5	41.35
	31	199.7	32.22	237.1	41.23	243.4	41.96	247.6	42.24	251.2	42.47	258.2	42.70	265.5	42.96
	33	199.7	34.34	232.9	42.81	240.2	43.55	244.1	43.85	247.6	44.05	255.0	44.28	261.3	44.55
	35	199.7	36.61	228.9	44.39	236.3	45.16	240.2	45.44	244.1	45.63	250.8	45.86	258.2	46.13
	37	199.7	37.92	225.8	45.24	232.9	46.05	236.3	46.40	240.2	46.59	246.8	46.74	254.2	47.09
	39	199.7	39.19	221.5	46.13	228.9	46.97	232.9	47.32	236.3	47.48	243.4	47.63	250.8	47.98
120	10	184.8	16.96	219.6	20.81	255.4	24.74	273.4	26.71	286.3	27.13	292.9	27.25	299.5	27.36
	12	184.8	17.42	219.6	21.50	255.4	25.71	273.4	27.28	282.3	28.14	288.6	28.48	295.2	28.60
	14	184.8	18.03	219.6	22.24	255.4	26.75	273.4	28.32	278.1	29.17	285.5	29.60	292.1	29.87
	16	184.8	18.69	219.6	23.16	255.4	27.79	271.8	29.83	275.0	30.52	281.5	30.67	287.8	30.99
	18	184.8	19.42	219.6	24.20	255.4	29.48	267.6	31.52	271.0	32.10	277.3	32.22	284.7	32.37
	20	184.8	20.15	219.6	25.66	255.4	31.41	264.4	33.33	267.6	33.68	274.1	33.80	280.8	33.95
	21	184.8	20.77	219.6	26.59	255.4	32.52	262.0	34.10	265.2	34.45	272.6	34.57	278.9	34.72
	23	184.8	22.20	219.6	28.44	255.4	34.68	258.6	35.61	262.0	36.03	268.3	36.15	275.0	36.30
	25	184.8	23.70	219.6	30.48	251.5	36.57	254.6	37.22	257.8	37.57	265.2	37.73	271.8	37.88
	27	184.8	25.32	219.6	32.56	248.0	38.42	251.5	38.73	254.6	39.15	261.3	39.30	267.6	39.46
	29	184.8	27.01	219.6	34.76	244.1	40.04	247.3	40.34	250.4	40.70	257.0	40.88	264.4	41.04
	31	184.8	28.78	219.6	37.11	239.9	41.69	244.1	41.85	247.3	42.27	253.9	42.43	260.2	42.62
	33	184.8	30.63	219.6	39.58	236.7	43.20	239.9	43.47	243.3	43.85	249.6	44.01	256.2	44.20
	35	184.8	32.56	219.6	42.20	232.8	44.89	235.9	45.05	239.9	45.40	246.5	45.59	253.1	45.78
	37	184.8	34.02	219.6	43.23	229.3	45.66	232.8	45.94	235.9	46.13	242.5	46.40	248.8	46.55
	39	184.8	35.45	218.8	44.24	225.4	46.44	228.5	46.78	231.7	46.90	239.1	47.21	245.7	47.33
110	10	168.9	15.26	201.6	18.61	234.0	22.09	250.3	23.93	266.4	25.74	286.7	26.78	293.3	26.90
	12	168.9	15.76	201.6	19.23	234.0	23.01	250.3	24.59	266.4	26.71	283.5	27.82	289.3	28.21
	14	168.9	16.23	201.6	20.11	234.0	24.05	250.3	25.82	266.4	28.05	279.6	28.86	285.9	29.48
	16	168.9	16.80	201.6	20.84	234.0	25.05	250.3	26.94	266.4	29.75	276.1	30.48	281.9	30.68
	18	168.9	17.42	201.6	21.70	234.0	26.51	250.3	28.71	266.4	31.52	272.2	32.03	278.8	32.17
	20	168.9	18.07	201.6	22.78	234.0	28.09	250.3	30.60	262.4	33.25	269.1	33.60	274.6	33.72
	21	168.9	18.46	201.6	23.47	234.0	29.10	250.3	31.71	260.9	33.99	266.4	34.37	273.0	34.52
	23	168.9	19.65	201.6	25.16	234.0	31.22	250.3	33.64	256.6	35.61	263.2	35.95	269.1	36.07
	25	168.9	21.00	201.6	26.82	234.0	33.41	250.3	35.61	253.5	37.11	259.3	37.50	265.6	37.65
	27	168.9	22.43	201.6	28.70	234.0	35.76	246.1	37.58	249.6	38.88	255.8	39.07	261.7	39.23
	29	168.9	23.97	201.6	30.63	234.0	38.15	242.9	39.19	246.1	40.43	251.9	40.62	258.2	40.77
	31	168.9	25.47	201.6	32.64	234.0	40.77	238.7	40.93	242.2	42.00	248.5	42.19	254.3	42.35
	33	168.9	27.17	201.6	34.76	232.4	43.04	235.6	42.77	238.7	43.58	244.5	43.74	251.1	43.93
	35	168.9	28.86	201.6	37.11	228.2	44.55	231.6	44.74	234.8	45.13	240.6	45.32	246.9	45.51
	37	168.9	29.98	201.6	38.26	225.0	45.35	228.2	45.40	230.8	45.81	237.1	46.08	242.9	46.20
	39	168.9	31.14	201.6	39.38	221.1	46.05	224.2	46.16	227.4	46.51	233.2	46.78	239.8	46.90
100	10	147.4	15.26	175.5	18.54	204.4	22.00	218.4	23.77	232.4	25.55	261.3	28.44	287.0	28.67
	12	147.4	15.76	175.5	19.30	204.4	22.74	218.4	24.43	232.4	26.36	261.3	29.97	283.1	30.25
	14	147.4	16.23	175.5	20.07	204.4	23.70	218.4	25.47	232.4	27.51	261.3	31.64	280.0	31.94
	16	147.4	16.73	175.5	20.73	204.4	24.70	218.4	26.67	232.4	28.98	261.3	33.17	276.1	33.64
	18	147.4	17.22	175.5	21.50	204.4	25.66	218.4	27.98	232.4	30.71	261.3	35.03	272.2	35.33
	20	147.4	17.84	175.5	22.31	204.4	27.16	218.4	29.98	232.4	32.87	261.3	36.72	268.3	37.03
	21	147.4	18.22	175.5	22.85	204.4	28.09	218.4	31.01	232.4	34.10	261.3	37.57	266.8	37.84
	23	147.4	19.30	175.5	24.43	204.4	30.17	218.4	33.25	232.4	36.53	257.7	39.34	263.3	39.65
	25	147.4	20.50	175.5	26.05	204.4	32.21	218.4	35.60	232.4	39.07	253.9	41.00	259.0	41.34
	27	147.4	21.92	175.5	27.82	204.4	34.48	218.4	38.03	232.4	41.54	250.0	42.93	255.8	43.27
	29	147.4	23.31	175.5	29.70	204.4	36.80	218.4	40.65	232.4	43.96	246.5	44.66	251.9	45.01
	31	147.4	24.93	175.5	31.67	204.4	39.23	218.4	43.35	232.4	46.20	242.6	46.39	248.0	46.78
	33	147.4	26.40	175.5	33.72	204.4	41.88	218.4	46.28	232.4	47.93	239.1	48.13	244.1	48.51
	35	147.4	28.09	175.5	35.87	204.4	44.58	218.4	49.36	228.9	49.67	235.2	49.86	240.2	50.25
	37	147.4	29.21	175.5	37.34	204.4	45.85	218.4	50.21	225.1	50.44	231.6	50.67	237.1	51.13
	39	147.4	30.33	175.5	38.84	204.4	47.05	218.4	51.02	221.5	51.25	227.8	51.44	233.2	51.91

Notes:

1. TC: Total Capacity(kW) PI : Power Input(kW)(Comp. + Outdoor fan motor)
2. Capacity tables show the average value of conditions which may occur.

7. Capacity Tables

Cooling Capacity(78HP)

Combination (%)	Outdoor air temp °C DB	Indoor air temp. (DB/WB, °C)													
		20		23		26		27		28		30		32	
		14		16		18		19		20		22		24	
		TC	PI	TC	PI	TC	PI	TC	PI	TC	PI	TC	PI	TC	PI
90	10	132.6	13.75	158.3	16.72	184.1	19.81	196.6	21.42	209.0	23.01	234.8	25.62	260.5	25.82
	12	132.6	14.18	158.3	17.38	184.1	20.50	196.6	22.00	209.0	23.74	234.8	26.98	260.5	27.25
	14	132.6	14.64	158.3	18.08	184.1	21.35	196.6	22.93	209.0	24.78	234.8	28.37	260.5	28.78
	16	132.6	15.07	158.3	18.65	184.1	22.19	196.6	23.94	209.0	25.93	234.8	29.12	260.5	30.29
	18	132.6	15.53	158.3	19.27	184.1	22.84	196.6	24.75	209.0	26.59	234.8	29.77	260.5	31.83
	20	132.6	16.01	158.3	19.70	184.1	23.30	196.6	25.21	209.0	27.59	234.8	31.87	260.5	33.34
	21	132.6	16.32	158.3	19.89	184.1	23.76	196.6	26.05	209.0	28.61	234.8	33.02	260.5	34.10
	23	132.6	16.76	158.3	20.73	184.1	25.40	196.6	27.97	209.0	30.61	234.8	35.21	257.0	35.72
	25	132.6	17.60	158.3	22.08	184.1	27.13	196.6	29.88	209.0	32.71	234.8	36.94	253.1	37.23
	27	132.6	18.79	158.3	23.57	184.1	28.96	196.6	31.91	209.0	35.01	234.8	38.69	249.6	39.00
	29	132.6	19.89	158.3	25.13	184.1	30.99	196.6	34.09	209.0	37.41	234.8	40.23	245.7	40.57
	31	132.6	21.19	158.3	26.78	184.1	33.01	196.6	36.31	209.0	39.87	234.8	41.81	242.2	42.12
	33	132.6	22.54	158.3	28.50	184.1	35.20	196.6	38.68	209.0	42.31	234.8	43.35	238.3	43.70
	35	132.6	23.91	158.3	30.26	184.1	37.41	196.6	41.24	209.0	44.51	230.8	44.90	234.8	45.28
	37	132.6	25.40	158.3	32.18	184.1	39.87	196.6	43.81	209.0	45.47	227.0	45.63	230.9	46.05
	39	132.6	26.89	158.3	34.24	184.1	42.11	196.6	45.76	209.0	46.17	223.4	46.36	227.3	46.78
80	10	117.8	13.75	140.4	16.69	163.0	19.73	174.7	21.33	186.4	22.90	209.0	25.62	231.7	25.82
	12	117.8	14.16	140.4	17.13	163.0	20.24	174.7	21.81	186.4	23.37	209.0	26.71	231.7	27.25
	14	117.8	14.56	140.4	17.51	163.0	20.54	174.7	22.19	186.4	23.76	209.0	27.20	231.7	28.78
	16	117.8	14.76	140.4	17.81	163.0	20.92	174.7	22.60	186.4	24.26	209.0	27.78	231.7	30.13
	18	117.8	15.06	140.4	18.09	163.0	21.34	174.7	22.99	186.4	24.75	209.0	28.28	231.7	30.81
	20	117.8	15.36	140.4	18.47	163.0	21.81	174.7	23.49	186.4	25.25	209.0	29.35	231.7	32.96
	21	117.8	15.44	140.4	18.70	163.0	22.00	174.7	23.76	186.4	25.83	209.0	30.27	231.7	33.97
	23	117.8	15.75	140.4	18.97	163.0	22.99	174.7	25.25	186.4	27.59	209.0	31.96	231.7	35.72
	25	117.8	16.33	140.4	20.24	163.0	24.64	174.7	27.01	186.4	29.54	209.0	34.21	231.7	37.23
	27	117.8	17.32	140.4	21.53	163.0	26.32	174.7	28.85	186.4	31.50	209.0	36.36	231.7	39.00
	29	117.8	18.39	140.4	22.99	163.0	27.97	174.7	30.73	186.4	33.64	209.0	38.93	231.7	40.57
	31	117.8	19.58	140.4	24.37	163.0	29.85	174.7	32.76	186.4	35.79	209.0	41.31	231.7	42.12
	33	117.8	20.73	140.4	26.02	163.0	31.80	174.7	34.91	186.4	38.16	209.0	43.20	231.7	43.70
	35	117.8	22.00	140.4	27.59	163.0	33.84	174.7	37.17	186.4	40.69	209.0	44.90	229.3	45.28
	37	117.8	23.29	140.4	29.32	163.0	35.90	174.7	39.51	186.4	43.23	209.0	45.63	225.4	46.05
	39	117.8	24.60	140.4	31.00	163.0	38.01	174.7	41.65	186.4	45.93	209.0	46.36	221.9	46.78
70	10	103.0	12.59	123.2	14.97	142.7	17.35	152.9	18.73	163.0	20.03	182.5	22.80	202.8	25.52
	12	103.0	12.78	123.2	15.16	142.7	17.73	152.9	19.03	163.0	20.42	182.5	23.21	202.8	25.98
	14	103.0	12.97	123.2	15.35	142.7	18.04	152.9	19.34	163.0	20.72	182.5	23.68	202.8	26.44
	16	103.0	13.20	123.2	15.66	142.7	18.34	152.9	19.73	163.0	21.11	182.5	24.10	202.8	27.02
	18	103.0	13.39	123.2	15.96	142.7	18.73	152.9	20.11	163.0	21.53	182.5	24.48	202.8	27.51
	20	103.0	13.58	123.2	16.27	142.7	19.03	152.9	20.53	163.0	22.02	182.5	25.09	202.8	28.55
	21	103.0	13.78	123.2	16.35	142.7	19.23	152.9	20.72	163.0	22.22	182.5	25.48	202.8	29.47
	23	103.0	13.97	123.2	16.77	142.7	19.64	152.9	21.41	163.0	23.29	182.5	27.25	202.8	31.09
	25	103.0	14.16	123.2	17.35	142.7	20.92	152.9	22.91	163.0	24.87	182.5	29.16	202.8	33.27
	27	103.0	14.97	123.2	18.54	142.7	22.30	152.9	24.29	163.0	26.56	182.5	31.12	202.8	35.38
	29	103.0	15.96	123.2	19.64	142.7	23.68	152.9	25.87	163.0	28.25	182.5	33.20	202.8	37.88
	31	103.0	16.96	123.2	20.92	142.7	25.29	152.9	27.67	163.0	30.13	182.5	35.38	202.8	40.21
	33	103.0	17.96	123.2	22.10	142.7	26.86	152.9	29.35	163.0	32.01	182.5	37.68	202.8	42.37
	35	103.0	18.92	123.2	23.60	142.7	28.55	152.9	31.24	163.0	34.11	182.5	40.14	202.8	44.93
	37	103.0	20.11	123.2	24.98	142.7	30.35	152.9	33.20	163.0	36.30	182.5	42.72	202.8	46.05
	39	103.0	21.15	123.2	26.40	142.7	32.12	152.9	35.04	163.0	38.42	182.5	45.28	202.8	46.78
60	10	88.1	11.06	105.3	12.95	122.5	15.07	131.0	16.18	139.6	17.18	156.8	19.49	173.9	21.79
	12	88.1	11.26	105.3	13.15	122.5	15.26	131.0	16.37	139.6	17.48	156.8	19.79	173.9	22.21
	14	88.1	11.34	105.3	13.37	122.5	15.57	131.0	16.68	139.6	17.79	156.8	20.18	173.9	22.60
	16	88.1	11.56	105.3	13.65	122.5	15.76	131.0	16.98	139.6	18.18	156.8	20.60	173.9	23.02
	18	88.1	11.76	105.3	13.87	122.5	16.07	131.0	17.29	139.6	18.49	156.8	20.90	173.9	23.52
	20	88.1	11.95	105.3	14.07	122.5	16.37	131.0	17.57	139.6	18.79	156.8	21.29	173.9	24.02
	21	88.1	12.06	105.3	14.18	122.5	16.57	131.0	17.79	139.6	18.99	156.8	21.60	173.9	24.21
	23	88.1	12.26	105.3	14.45	122.5	16.79	131.0	18.10	139.6	19.37	156.8	22.40	173.9	25.71
	25	88.1	12.45	105.3	14.76	122.5	17.48	131.0	18.99	139.6	20.60	156.8	23.91	173.9	27.52
	27	88.1	12.87	105.3	15.57	122.5	18.60	131.0	20.18	139.6	21.90	156.8	25.41	173.9	29.33
	29	88.1	13.65	105.3	16.57	122.5	19.79	131.0	21.49	139.6	23.29	156.8	27.13	173.9	31.36
	31	88.1	14.45	105.3	17.57	122.5	20.99	131.0	22.90	139.6	24.82	156.8	28.94	173.9	33.36
	33	88.1	15.26	105.3	18.60	122.5	22.29	131.0	24.32	139.6	26.41	156.8	30.74	173.9	35.55
	35	88.1	16.18	105.3	19.79	122.5	23.71	131.0	25.82	139.6	28.02	156.8	32.74	173.9	37.78
	37	88.1	17.07	105.3	20.87	122.5	25.10	131.0	27.44	139.6	29.74	156.8	34.75	173.9	40.20
	39	88.1	17.99	105.3	22.02	122.5	26.59	131.0	29.13	139.6	31.36	156.8	36.90	173.9	42.62

Notes:
 1. TC: Total Capacity(kW) PI : Power Input(kW)(Comp. + Outdoor fan motor)
 2. Capacity tables show the average value of conditions which may occur.

7. Capacity Tables

Cooling Capacity(78HP)

Combination (%)	Outdoor air temp °C DB	Indoor air temp. (DB/WB, °C)													
		20		23		26		27		28		30		32	
		14		16		18		19		20		22		24	
		TC	PI	TC	PI	TC	PI	TC	PI	TC	PI	TC	PI	TC	PI
50	10	73.7	9.66	88.1	11.20	102.2	12.74	109.2	13.63	116.2	14.47	130.3	16.28	145.1	18.12
	12	73.7	9.77	88.1	11.31	102.2	12.93	109.2	13.85	116.2	14.74	130.3	16.59	145.1	18.43
	14	73.7	9.89	88.1	11.51	102.2	13.13	109.2	14.05	116.2	14.97	130.3	16.78	145.1	18.74
	16	73.7	10.08	88.1	11.70	102.2	13.32	109.2	14.35	116.2	15.16	130.3	17.09	145.1	19.05
	18	73.7	10.16	88.1	11.81	102.2	13.54	109.2	14.55	116.2	15.47	130.3	17.40	145.1	19.44
	20	73.7	10.28	88.1	12.01	102.2	13.85	109.2	14.74	116.2	15.78	130.3	17.70	145.1	19.86
	21	73.7	10.39	88.1	12.12	102.2	13.93	109.2	14.97	116.2	15.89	130.3	17.90	145.1	20.05
	23	73.7	10.58	88.1	12.32	102.2	14.16	109.2	15.16	116.2	16.17	130.3	18.21	145.1	20.47
	25	73.7	10.70	88.1	12.51	102.2	14.47	109.2	15.47	116.2	16.70	130.3	19.13	145.1	21.90
	27	73.7	10.89	88.1	12.93	102.2	15.28	109.2	16.48	116.2	17.70	130.3	20.47	145.1	23.32
	29	73.7	11.51	88.1	13.74	102.2	16.17	109.2	17.51	116.2	18.82	130.3	21.67	145.1	24.74
	31	73.7	12.12	88.1	14.55	102.2	17.20	109.2	18.51	116.2	20.05	130.3	23.09	145.1	26.36
	33	73.7	12.82	88.1	15.36	102.2	18.21	109.2	19.63	116.2	21.28	130.3	24.52	145.1	28.09
	35	73.7	13.54	88.1	16.28	102.2	19.24	109.2	20.86	116.2	22.48	130.3	25.94	145.1	29.83
	37	73.7	14.35	88.1	17.20	102.2	20.36	109.2	22.09	116.2	23.82	130.3	27.67	145.1	31.64
	39	73.7	15.01	88.1	18.09	102.2	21.59	109.2	23.32	116.2	25.05	130.3	29.21	145.1	33.52

Notes:

1. TC: Total Capacity(kW) PI : Power Input(kW)(Comp. + Outdoor fan motor)
2. Capacity tables show the average value of conditions which may occur.

7. Capacity Tables

ARUB800LTE4

Cooling Capacity(80HP)

Combination (%)	Outdoor air temp °C DB	Indoor air temp. (DB/WB, °C)													
		20		23		26		27		28		30		32	
		14		16		18		19		20		22		24	
		TC	PI	TC	PI	TC	PI	TC	PI	TC	PI	TC	PI	TC	PI
130	10	204.8	19.60	244.0	23.92	283.2	27.76	294.0	28.32	297.2	28.64	304.8	28.76	312.4	28.96
	12	204.8	20.08	244.0	24.80	283.2	28.92	289.6	29.08	294.8	29.64	300.4	29.96	308.0	30.08
	14	204.8	20.72	244.0	25.68	282.4	30.00	286.4	30.20	289.6	30.72	297.2	31.00	304.8	31.24
	16	204.8	21.48	244.0	26.60	278.8	31.32	282.4	31.64	285.6	31.84	293.2	32.16	300.4	32.44
	18	204.8	22.40	244.0	28.12	274.8	33.04	278.0	33.28	282.4	33.48	289.6	33.64	297.2	33.84
	20	204.8	23.40	244.0	29.96	270.4	34.60	275.2	34.92	278.0	35.12	285.6	35.28	293.2	35.52
	21	204.8	24.00	244.0	31.00	268.8	35.40	273.2	35.76	276.4	35.92	284.0	36.12	291.6	36.32
	23	204.8	25.76	244.0	33.28	265.6	36.92	268.8	37.28	272.8	37.56	279.6	37.76	287.2	38.00
	25	204.8	27.52	244.0	35.56	261.6	38.56	265.6	38.92	268.8	39.20	276.4	39.40	284.0	39.64
	27	204.8	29.44	244.0	38.00	258.0	40.24	261.6	40.52	265.6	40.84	272.8	41.04	279.6	41.28
	29	204.8	31.36	244.0	40.64	254.0	41.88	257.6	42.16	261.6	42.48	268.8	42.68	276.4	42.92
	31	204.8	33.44	243.2	42.80	249.6	43.56	254.0	43.84	257.6	44.08	264.8	44.32	272.4	44.60
	33	204.8	35.64	238.8	44.44	246.4	45.20	250.4	45.52	254.0	45.72	261.6	45.96	268.0	46.24
	35	204.8	38.00	234.8	46.08	242.4	46.88	246.4	47.16	250.4	47.36	257.2	47.60	264.8	47.88
	37	204.8	39.36	231.6	46.96	238.8	47.80	242.4	48.16	246.4	48.36	253.2	48.52	260.8	48.88
	39	204.8	40.68	227.2	47.88	234.8	48.76	238.8	49.12	242.4	49.28	249.6	49.44	257.2	49.80
120	10	189.6	17.60	225.2	21.60	262.0	25.68	280.4	27.72	293.6	28.16	300.4	28.28	307.2	28.40
	12	189.6	18.08	225.2	22.32	262.0	26.68	280.4	28.32	289.6	29.20	296.0	29.56	302.8	29.68
	14	189.6	18.72	225.2	23.08	262.0	27.76	280.4	29.40	285.2	30.28	292.8	30.72	299.6	31.00
	16	189.6	19.40	225.2	24.04	262.0	28.84	278.8	30.96	282.0	31.68	288.8	31.84	295.2	32.16
	18	189.6	20.16	225.2	25.12	262.0	30.60	274.4	32.72	278.0	33.32	284.4	33.44	292.0	33.60
	20	189.6	20.92	225.2	26.64	262.0	32.60	271.2	34.60	274.4	34.96	281.2	35.08	288.0	35.24
	21	189.6	21.56	225.2	27.60	262.0	33.76	268.8	35.40	272.0	35.76	279.6	35.88	286.0	36.04
	23	189.6	23.04	225.2	29.52	262.0	36.00	265.2	36.96	268.8	37.40	275.2	37.52	282.0	37.68
	25	189.6	24.60	225.2	31.64	258.0	37.96	261.2	38.64	264.4	39.00	272.0	39.16	278.8	39.32
	27	189.6	26.28	225.2	33.80	254.4	39.88	258.0	40.20	261.2	40.64	268.0	40.80	274.4	40.96
	29	189.6	28.04	225.2	36.08	250.4	41.56	253.6	41.88	256.8	42.24	263.6	42.44	271.2	42.60
	31	189.6	29.88	225.2	38.52	246.0	43.28	250.4	43.44	253.6	43.88	260.4	44.04	266.8	44.24
	33	189.6	31.80	225.2	41.08	242.8	44.84	246.0	45.12	249.6	45.52	256.0	45.68	262.8	45.88
	35	189.6	33.80	225.2	43.80	238.8	46.60	242.0	46.76	246.0	47.12	252.8	47.32	259.6	47.52
	37	189.6	35.32	225.2	44.88	235.2	47.40	238.8	47.68	242.0	47.88	248.8	48.16	255.2	48.32
	39	189.6	36.80	224.4	45.92	231.2	48.20	234.4	48.56	237.6	48.68	245.2	49.00	252.0	49.12
110	10	173.2	15.84	206.8	19.32	240.0	22.92	256.8	24.84	273.2	26.72	294.0	27.80	300.8	27.92
	12	173.2	16.36	206.8	19.96	240.0	23.88	256.8	25.52	273.2	27.72	290.8	28.88	296.8	29.28
	14	173.2	16.84	206.8	20.88	240.0	24.96	256.8	26.80	273.2	29.12	286.8	29.96	293.2	30.60
	16	173.2	17.44	206.8	21.64	240.0	26.00	256.8	27.96	273.2	30.88	283.2	31.64	289.2	31.84
	18	173.2	18.08	206.8	22.52	240.0	27.52	256.8	29.80	273.2	32.72	279.2	33.24	286.0	33.40
	20	173.2	18.76	206.8	23.64	240.0	29.16	256.8	31.76	269.2	34.52	276.0	34.88	281.6	35.00
	21	173.2	19.16	206.8	24.36	240.0	30.20	256.8	32.92	267.6	35.28	273.2	35.68	280.0	35.84
	23	173.2	20.40	206.8	26.12	240.0	32.40	256.8	34.92	263.2	36.96	270.0	37.32	276.0	37.44
	25	173.2	21.80	206.8	27.84	240.0	34.68	256.8	36.96	260.0	38.52	266.0	38.92	272.4	39.08
	27	173.2	23.28	206.8	29.80	240.0	37.12	252.4	39.00	256.0	40.36	262.4	40.56	268.4	40.72
	29	173.2	24.88	206.8	31.80	240.0	39.60	249.2	40.68	252.4	41.96	258.4	42.16	264.8	42.32
	31	173.2	26.44	206.8	33.88	240.0	42.32	244.8	42.48	248.4	43.60	254.8	43.80	260.8	43.96
	33	173.2	28.20	206.8	36.08	238.4	44.68	241.6	44.40	244.8	45.24	250.8	45.40	257.6	45.60
	35	173.2	29.96	206.8	38.52	234.0	46.24	237.6	46.44	240.8	46.84	246.8	47.04	253.2	47.24
	37	173.2	31.12	206.8	39.72	230.8	47.08	234.0	47.12	236.8	47.56	243.2	47.84	249.2	47.96
	39	173.2	32.32	206.8	40.88	226.8	47.80	230.0	47.92	233.2	48.28	239.2	48.56	246.0	48.68
100	10	151.2	15.84	180.0	19.24	209.6	22.84	224.0	24.68	238.4	26.52	268.0	29.52	294.4	29.76
	12	151.2	16.36	180.0	20.04	209.6	23.60	224.0	25.36	238.4	27.36	268.0	31.12	290.4	31.40
	14	151.2	16.84	180.0	20.84	209.6	24.60	224.0	26.44	238.4	28.56	268.0	32.84	287.2	33.16
	16	151.2	17.36	180.0	21.52	209.6	25.64	224.0	27.68	238.4	30.08	268.0	34.44	283.2	34.92
	18	151.2	17.88	180.0	22.32	209.6	26.64	224.0	29.04	238.4	31.88	268.0	36.36	279.2	36.68
	20	151.2	18.52	180.0	23.16	209.6	28.20	224.0	31.12	238.4	34.12	268.0	38.12	275.2	38.44
	21	151.2	18.92	180.0	23.72	209.6	29.16	224.0	32.20	238.4	35.40	268.0	39.00	273.6	39.28
	23	151.2	20.04	180.0	25.36	209.6	31.32	224.0	34.52	238.4	37.92	264.4	40.84	270.0	41.16
	25	151.2	21.28	180.0	27.04	209.6	33.44	224.0	36.96	238.4	40.56	260.4	42.56	265.6	42.92
	27	151.2	22.76	180.0	28.88	209.6	35.80	224.0	39.48	238.4	43.12	256.4	44.56	262.4	44.92
	29	151.2	24.20	180.0	30.84	209.6	38.20	224.0	42.20	238.4	45.64	252.8	46.36	258.4	46.72
	31	151.2	25.88	180.0	32.88	209.6	40.72	224.0	45.00	238.4	47.96	248.8	48.16	254.4	48.56
	33	151.2	27.40	180.0	35.00	209.6	43.48	224.0	48.04	238.4	49.76	245.2	49.96	250.4	50.36
	35	151.2	29.16	180.0	37.24	209.6	46.28	224.0	51.24	234.8	51.56	241.2	51.76	246.4	52.16
	37	151.2	30.32	180.0	38.76	209.6	47.60	224.0	52.12	230.8	52.36	237.6	52.60	243.2	53.08
	39	151.2	31.48	180.0	40.32	209.6	48.84	224.0	52.96	227.2	53.20	233.6	53.40	239.2	53.88

Notes:

1. TC: Total Capacity(kW) PI : Power Input(kW)(Comp. + Outdoor fan motor)
2. Capacity tables show the average value of conditions which may occur.

7. Capacity Tables

Cooling Capacity(80HP)

Combination (%)	Outdoor air temp °C DB	Indoor air temp. (DB/WB, °C)													
		20		23		26		27		28		30		32	
		14		16		18		19		20		22		24	
		TC	PI	TC	PI	TC	PI	TC	PI	TC	PI	TC	PI	TC	PI
90	10	136.0	14.28	162.4	17.36	188.8	20.56	201.6	22.24	214.4	23.88	240.8	26.60	267.2	26.80
	12	136.0	14.72	162.4	18.04	188.8	21.28	201.6	22.84	214.4	24.64	240.8	28.00	267.2	28.28
	14	136.0	15.20	162.4	18.76	188.8	22.16	201.6	23.80	214.4	25.72	240.8	29.60	267.2	29.88
	16	136.0	15.64	162.4	19.40	188.8	23.12	201.6	24.96	214.4	27.08	240.8	30.44	267.2	31.44
	18	136.0	16.12	162.4	20.12	188.8	23.88	201.6	25.88	214.4	27.80	240.8	31.12	267.2	33.04
	20	136.0	16.68	162.4	20.60	188.8	24.36	201.6	26.36	214.4	28.84	240.8	33.32	267.2	34.60
	21	136.0	17.04	162.4	20.80	188.8	24.84	201.6	27.24	214.4	29.92	240.8	34.52	267.2	35.40
	23	136.0	17.52	162.4	21.68	188.8	26.56	201.6	29.24	214.4	32.00	240.8	36.76	263.6	37.08
	25	136.0	18.40	162.4	23.08	188.8	28.36	201.6	31.24	214.4	34.20	240.8	38.36	259.6	38.64
	27	136.0	19.64	162.4	24.64	188.8	30.28	201.6	33.36	214.4	36.60	240.8	40.16	256.0	40.48
	29	136.0	20.80	162.4	26.28	188.8	32.40	201.6	35.64	214.4	39.12	240.8	41.76	252.0	42.12
	31	136.0	22.16	162.4	28.00	188.8	34.52	201.6	37.96	214.4	41.68	240.8	43.40	248.4	43.72
	33	136.0	23.56	162.4	29.80	188.8	36.80	201.6	40.44	214.4	44.24	240.8	45.00	244.4	45.36
	35	136.0	25.00	162.4	31.64	188.8	39.12	201.6	43.12	214.4	46.44	236.8	46.60	240.8	47.00
	37	136.0	26.56	162.4	33.64	188.8	41.68	201.6	45.80	214.4	47.20	232.8	47.36	236.8	47.80
	39	136.0	28.12	162.4	35.80	188.8	44.00	201.6	47.72	214.4	47.92	229.2	48.12	233.2	48.56
80	10	120.8	14.28	144.0	17.36	167.2	20.56	179.2	22.24	191.2	23.88	214.4	26.60	237.6	26.80
	12	120.8	14.72	144.0	17.88	167.2	21.12	179.2	22.76	191.2	24.40	214.4	27.88	237.6	28.28
	14	120.8	15.20	144.0	18.28	167.2	21.44	179.2	23.16	191.2	24.80	214.4	28.40	237.6	29.88
	16	120.8	15.40	144.0	18.60	167.2	21.84	179.2	23.60	191.2	25.32	214.4	29.00	237.6	31.44
	18	120.8	15.72	144.0	18.88	167.2	22.28	179.2	24.00	191.2	25.84	214.4	29.52	237.6	32.16
	20	120.8	16.04	144.0	19.28	167.2	22.76	179.2	24.52	191.2	26.36	214.4	30.64	237.6	34.40
	21	120.8	16.12	144.0	19.52	167.2	22.96	179.2	24.80	191.2	26.96	214.4	31.60	237.6	35.40
	23	120.8	16.44	144.0	19.80	167.2	24.00	179.2	26.36	191.2	28.80	214.4	33.36	237.6	37.08
	25	120.8	17.04	144.0	21.12	167.2	25.72	179.2	28.20	191.2	30.84	214.4	35.72	237.6	38.64
	27	120.8	18.08	144.0	22.48	167.2	27.48	179.2	30.12	191.2	32.88	214.4	37.96	237.6	40.48
	29	120.8	19.20	144.0	24.00	167.2	29.20	179.2	32.08	191.2	35.12	214.4	40.64	237.6	42.12
	31	120.8	20.44	144.0	25.44	167.2	31.16	179.2	34.20	191.2	37.36	214.4	43.12	237.6	43.72
	33	120.8	21.64	144.0	27.16	167.2	33.20	179.2	36.44	191.2	39.84	214.4	45.00	237.6	45.36
	35	120.8	22.96	144.0	28.80	167.2	35.32	179.2	38.80	191.2	42.48	214.4	46.60	235.2	47.00
	37	120.8	24.32	144.0	30.60	167.2	37.48	179.2	41.24	191.2	45.12	214.4	47.36	231.2	47.80
	39	120.8	25.68	144.0	32.36	167.2	39.68	179.2	43.48	191.2	47.92	214.4	48.12	227.6	48.56
70	10	105.6	13.12	126.4	15.60	146.4	18.08	156.8	19.52	167.2	20.88	187.2	23.76	208.0	26.60
	12	105.6	13.32	126.4	15.80	146.4	18.48	156.8	19.84	167.2	21.28	187.2	24.20	208.0	27.08
	14	105.6	13.52	126.4	16.00	146.4	18.80	156.8	20.16	167.2	21.60	187.2	24.68	208.0	27.56
	16	105.6	13.76	126.4	16.32	146.4	19.12	156.8	20.56	167.2	22.00	187.2	25.12	208.0	28.16
	18	105.6	13.96	126.4	16.64	146.4	19.52	156.8	20.96	167.2	22.44	187.2	25.52	208.0	28.68
	20	105.6	14.16	126.4	16.96	146.4	19.84	156.8	21.40	167.2	22.96	187.2	26.16	208.0	29.76
	21	105.6	14.36	126.4	17.04	146.4	20.04	156.8	21.60	167.2	23.16	187.2	26.56	208.0	30.72
	23	105.6	14.56	126.4	17.48	146.4	20.48	156.8	22.32	167.2	24.28	187.2	28.40	208.0	32.40
	25	105.6	14.76	126.4	18.08	146.4	21.80	156.8	23.88	167.2	25.92	187.2	30.40	208.0	34.68
	27	105.6	15.60	126.4	19.32	146.4	23.24	156.8	25.32	167.2	27.68	187.2	32.44	208.0	36.88
	29	105.6	16.64	126.4	20.48	146.4	24.68	156.8	26.96	167.2	29.44	187.2	34.60	208.0	39.48
	31	105.6	17.68	126.4	21.80	146.4	26.36	156.8	28.84	167.2	31.40	187.2	36.88	208.0	41.92
	33	105.6	18.72	126.4	23.04	146.4	28.00	156.8	30.60	167.2	33.36	187.2	39.28	208.0	44.16
	35	105.6	19.72	126.4	24.60	146.4	29.76	156.8	32.56	167.2	35.56	187.2	41.84	208.0	46.84
	37	105.6	20.96	126.4	26.04	146.4	31.64	156.8	34.60	167.2	37.84	187.2	44.52	208.0	47.80
	39	105.6	22.04	126.4	27.52	146.4	33.48	156.8	36.52	167.2	40.04	187.2	47.20	208.0	48.56
60	10	90.4	11.52	108.0	13.48	125.6	15.68	134.4	16.84	143.2	17.88	160.8	20.28	178.4	22.68
	12	90.4	11.72	108.0	13.68	125.6	15.88	134.4	17.04	143.2	18.20	160.8	20.60	178.4	23.12
	14	90.4	11.80	108.0	13.92	125.6	16.20	134.4	17.36	143.2	18.52	160.8	21.00	178.4	23.52
	16	90.4	12.04	108.0	14.20	125.6	16.40	134.4	17.68	143.2	18.92	160.8	21.44	178.4	23.96
	18	90.4	12.24	108.0	14.44	125.6	16.72	134.4	18.00	143.2	19.24	160.8	21.76	178.4	24.48
	20	90.4	12.44	108.0	14.64	125.6	17.04	134.4	18.28	143.2	19.56	160.8	22.16	178.4	25.00
	21	90.4	12.56	108.0	14.76	125.6	17.24	134.4	18.52	143.2	19.76	160.8	22.48	178.4	25.20
	23	90.4	12.76	108.0	15.04	125.6	17.48	134.4	18.84	143.2	20.16	160.8	23.32	178.4	26.76
	25	90.4	12.96	108.0	15.36	125.6	18.20	134.4	19.76	143.2	21.44	160.8	24.88	178.4	28.64
	27	90.4	13.40	108.0	16.20	125.6	19.36	134.4	21.00	143.2	22.80	160.8	26.44	178.4	30.52
	29	90.4	14.20	108.0	17.24	125.6	20.60	134.4	22.36	143.2	24.24	160.8	28.24	178.4	32.64
	31	90.4	15.04	108.0	18.28	125.6	21.84	134.4	23.84	143.2	25.84	160.8	30.12	178.4	34.72
	33	90.4	15.88	108.0	19.36	125.6	23.20	134.4	25.32	143.2	27.48	160.8	32.00	178.4	37.00
	35	90.4	16.84	108.0	20.60	125.6	24.68	134.4	26.88	143.2	29.16	160.8	34.08	178.4	39.32
	37	90.4	17.76	108.0	21.72	125.6	26.12	134.4	28.56	143.2	30.96	160.8	36.16	178.4	41.84
	39	90.4	18.72	108.0	22.92	125.6	27.68	134.4	30.32	143.2	32.64	160.8	38.40	178.4	44.36

Outdoor Units

Notes:
 1. TC: Total Capacity(kW) PI : Power Input(kW)(Comp. + Outdoor fan motor)
 2. Capacity tables show the average value of conditions which may occur.

7. Capacity Tables

Cooling Capacity(80HP)

Combination (%)	Outdoor air temp °C DB	Indoor air temp. (DB/WB, °C)													
		20		23		26		27		28		30		32	
		14		16		18		19		20		22		24	
		TC	PI	TC	PI	TC	PI	TC	PI	TC	PI	TC	PI	TC	PI
50	10	75.6	10.04	90.4	11.64	104.8	13.24	112.0	14.16	119.2	15.04	133.6	16.92	148.8	18.84
	12	75.6	10.16	90.4	11.76	104.8	13.44	112.0	14.40	119.2	15.32	133.6	17.24	148.8	19.16
	14	75.6	10.28	90.4	11.96	104.8	13.64	112.0	14.60	119.2	15.56	133.6	17.44	148.8	19.48
	16	75.6	10.48	90.4	12.16	104.8	13.84	112.0	14.92	119.2	15.76	133.6	17.76	148.8	19.80
	18	75.6	10.56	90.4	12.28	104.8	14.08	112.0	15.12	119.2	16.08	133.6	18.08	148.8	20.20
	20	75.6	10.68	90.4	12.48	104.8	14.40	112.0	15.32	119.2	16.40	133.6	18.40	148.8	20.64
	21	75.6	10.80	90.4	12.60	104.8	14.48	112.0	15.56	119.2	16.52	133.6	18.60	148.8	20.84
	23	75.6	11.00	90.4	12.80	104.8	14.72	112.0	15.76	119.2	16.80	133.6	18.92	148.8	21.28
	25	75.6	11.12	90.4	13.00	104.8	15.04	112.0	16.08	119.2	17.36	133.6	19.88	148.8	22.76
	27	75.6	11.32	90.4	13.44	104.8	15.88	112.0	17.12	119.2	18.40	133.6	21.28	148.8	24.24
	29	75.6	11.96	90.4	14.28	104.8	16.80	112.0	18.20	119.2	19.56	133.6	22.52	148.8	25.72
	31	75.6	12.60	90.4	15.12	104.8	17.88	112.0	19.24	119.2	20.84	133.6	24.00	148.8	27.40
	33	75.6	13.32	90.4	15.96	104.8	18.92	112.0	20.40	119.2	22.12	133.6	25.48	148.8	29.20
	35	75.6	14.08	90.4	16.92	104.8	20.00	112.0	21.68	119.2	23.36	133.6	26.96	148.8	31.00
	37	75.6	14.92	90.4	17.88	104.8	21.16	112.0	22.96	119.2	24.76	133.6	28.76	148.8	32.88
	39	75.6	15.60	90.4	18.80	104.8	22.44	112.0	24.24	119.2	26.04	133.6	30.36	148.8	34.84

Notes:

1. TC: Total Capacity(kW) PI : Power Input(kW)(Comp. + Outdoor fan motor)
2. Capacity tables show the average value of conditions which may occur.

7. Capacity Tables

7.1.2 Heating Capacity

ARUB080LTE4

Heating Capacity(8HP)

Combination (%)	Outdoor air temp		Indoor air temp. °C DB											
			16		18		20		21		22		24	
	°C DB	°C WB	TC	PI	TC	PI	TC	PI	TC	PI	TC	PI	TC	PI
130	-24.8	-25	15.6	7.28	15.6	7.33	15.5	7.37	15.5	7.43	15.5	7.50	15.2	7.59
	-21.8	-22	19.0	7.38	19.0	7.43	18.9	7.47	18.9	7.53	18.9	7.59	18.5	7.69
	-19.8	-20	20.1	7.44	20.1	7.49	19.9	7.53	19.9	7.60	19.9	7.66	19.5	7.75
	-18.8	-19	20.5	7.47	20.5	7.52	20.4	7.56	20.4	7.63	20.4	7.69	20.0	7.79
	-16.7	-17	21.5	7.54	21.5	7.59	21.4	7.63	21.4	7.70	21.4	7.76	21.0	7.86
	-13.7	-15	22.9	7.64	22.9	7.69	22.8	7.73	22.8	7.79	22.8	7.86	22.3	7.95
	-11.8	-13	23.7	7.70	23.7	7.75	23.5	7.79	23.5	7.86	23.5	7.92	23.2	8.01
	-9.8	-11	24.5	7.76	24.5	7.81	24.3	7.86	24.3	7.92	24.3	7.98	24.1	8.07
	-9.5	-10	24.6	7.77	24.6	7.82	24.5	7.87	24.5	7.93	24.5	7.99	24.3	8.08
	-8.5	-9.1	25.1	7.81	25.1	7.86	24.9	7.91	24.9	7.97	24.8	8.03	24.7	8.09
	-7.0	-7.6	25.8	7.86	25.8	7.91	25.6	7.96	25.6	8.02	25.6	8.08	25.4	8.14
	-5.0	-5.6	26.7	7.92	26.7	7.97	26.5	8.02	26.5	8.08	26.5	8.14	26.3	8.20
	-3.0	-3.7	27.6	7.97	27.6	8.02	27.5	8.07	27.5	8.13	27.5	8.19	27.3	8.25
	0.0	-0.7	29.0	8.08	29.0	8.13	28.9	8.18	28.9	8.24	28.9	8.30	28.4	8.36
	3.0	2.2	30.4	8.19	30.4	8.24	30.2	8.29	30.2	8.35	30.2	8.41	29.4	8.47
	5.0	4.1	31.4	8.28	31.4	8.33	31.2	8.38	31.2	8.44	31.2	8.50	30.6	8.56
	7.0	6	32.3	8.36	32.3	8.41	32.1	8.46	32.1	8.52	32.1	8.58	31.4	8.64
	120	-24.8	-25	15.5	7.33	15.5	7.37	15.4	7.43	15.4	7.50	15.4	7.59	15.1
-21.8		-22	18.9	7.43	18.9	7.47	18.8	7.53	18.8	7.59	18.8	7.69	18.4	7.76
-19.8		-20	19.9	7.49	19.9	7.53	19.8	7.60	19.8	7.66	19.8	7.75	19.4	7.82
-18.8		-19	20.4	7.52	20.4	7.56	20.3	7.63	20.3	7.69	20.3	7.79	19.9	7.86
-16.7		-17	21.4	7.59	21.4	7.63	21.2	7.70	21.2	7.76	21.2	7.86	20.8	7.93
-13.7		-15	22.8	7.69	22.8	7.73	22.6	7.79	22.6	7.86	22.6	7.92	22.2	8.01
-11.8		-13	23.5	7.75	23.5	7.79	23.4	7.86	23.4	7.92	23.4	7.98	23.1	8.07
-9.8		-11	24.3	7.81	24.3	7.86	24.2	7.92	24.2	7.98	24.2	8.04	24.0	8.11
-9.5		-10	24.4	7.82	24.4	7.87	24.3	7.93	24.3	7.99	24.3	8.05	24.1	8.12
-8.5		-9.1	24.9	7.86	24.9	7.91	24.8	7.97	24.8	8.03	24.8	8.09	24.6	8.16
-7.0		-7.6	25.6	7.91	25.6	7.96	25.4	8.02	25.4	8.08	25.4	8.14	25.2	8.21
-5.0		-5.6	26.5	7.96	26.5	8.01	26.4	8.07	26.4	8.13	26.4	8.19	26.2	8.26
-3.0		-3.7	27.5	8.02	27.5	8.07	27.3	8.13	27.3	8.19	27.3	8.25	27.0	8.32
0.0		-0.7	28.8	8.13	28.8	8.18	28.7	8.24	28.7	8.30	28.7	8.36	28.4	8.43
3.0		2.2	30.2	8.24	30.2	8.29	30.0	8.35	30.0	8.41	30.0	8.47	29.4	8.54
5.0		4.1	31.1	8.32	31.1	8.37	30.7	8.43	30.7	8.49	30.7	8.55	30.6	8.61
7.0		6	32.1	8.40	32.1	8.45	31.7	8.51	31.7	8.57	31.7	8.63	31.4	8.70
110		-24.8	-25	15.4	7.37	15.4	7.43	15.3	7.50	15.3	7.59	15.3	7.66	15.0
	-21.8	-22	18.8	7.47	18.8	7.53	18.7	7.59	18.7	7.69	18.7	7.76	18.3	7.86
	-19.8	-20	19.8	7.53	19.8	7.60	19.7	7.66	19.7	7.75	19.7	7.82	19.3	7.91
	-18.8	-19	20.3	7.56	20.3	7.63	20.2	7.69	20.2	7.79	20.2	7.86	19.7	7.94
	-16.7	-17	21.3	7.63	21.3	7.70	21.1	7.76	21.1	7.86	21.1	7.92	20.7	8.01
	-13.7	-15	22.7	7.73	22.7	7.79	22.5	7.86	22.5	7.92	22.5	7.98	22.2	8.07
	-11.8	-13	23.4	7.79	23.4	7.86	23.3	7.92	23.3	7.98	23.3	8.04	23.0	8.13
	-9.8	-11	24.2	7.86	24.2	7.92	24.0	7.98	24.0	8.04	24.0	8.10	23.7	8.19
	-9.5	-10	24.3	7.87	24.3	7.93	24.2	7.99	24.2	8.05	24.2	8.11	24.0	8.18
	-8.5	-9.1	24.8	7.91	24.8	7.97	24.6	8.03	24.6	8.09	24.6	8.15	24.4	8.22
	-7.0	-7.6	25.5	7.96	25.5	8.02	25.3	8.08	25.3	8.14	25.3	8.20	25.0	8.27
	-5.0	-5.6	26.4	8.01	26.4	8.07	26.2	8.13	26.2	8.19	26.2	8.25	26.0	8.32
	-3.0	-3.7	27.3	8.06	27.3	8.12	27.1	8.18	27.1	8.24	27.1	8.30	26.8	8.37
	0.0	-0.7	28.7	8.17	28.7	8.22	28.6	8.28	28.6	8.34	28.6	8.40	28.4	8.47
	3.0	2.2	30.1	8.28	30.1	8.33	29.9	8.39	29.9	8.45	29.9	8.51	29.4	8.58
	5.0	4.1	31.0	8.36	31.0	8.41	30.7	8.47	30.7	8.53	30.7	8.59	30.6	8.65
	7.0	6	31.9	8.44	31.9	8.49	31.6	8.55	31.6	8.61	31.6	8.67	31.4	8.74
	9.0	7.9	32.1	8.51	32.1	8.56	31.8	8.62	31.8	8.68	31.8	8.74	31.6	8.81
11.0	9.8	32.3	8.58	32.3	8.63	32.0	8.69	32.0	8.75	32.0	8.81	31.8	8.88	
13.0	11.8	32.3	8.65	32.3	8.70	32.0	8.76	32.0	8.82	32.0	8.88	31.8	8.95	
15.0	13.7	31.1	8.72	29.4	8.77	27.6	8.83	26.7	8.89	25.8	8.95	24.0	9.01	

Outdoor Units

Notes:

1. TC: Total Capacity(kW) PI : Power Input(kW)(Comp. + Outdoor fan motor)
2. Capacity tables show the average value of conditions which may occur.
3. ■■■■ is shown as reference. When selecting the outdoor units, avoid the outdoor air temperature range shown by ■■■■.

7. Capacity Tables

Heating Capacity(8HP)

Outdoor Units

Combination (%)	Outdoor air temp		Indoor air temp. °C DB											
			16		18		20		21		22		24	
	°C DB	°C WB	TC	PI	TC	PI	TC	PI	TC	PI	TC	PI	TC	PI
100	-24.8	-25	15.4	8.16	15.4	8.12	15.3	7.54	15.3	8.02	15.3	7.98	15.0	7.96
	-21.8	-22	18.7	8.10	18.7	8.06	18.6	7.78	18.6	7.96	18.6	8.03	18.2	7.90
	-19.8	-20	19.7	8.06	19.7	8.02	19.6	7.93	19.6	7.92	19.6	7.91	19.2	7.86
	-18.8	-19	20.2	8.04	20.1	8.00	20.1	7.96	20.1	7.90	20.1	7.86	19.7	7.72
	-16.7	-17	21.0	8.00	21.0	7.96	21.0	8.03	20.9	7.86	20.9	7.57	20.5	7.43
	-13.7	-15	22.6	7.94	22.6	7.89	22.4	7.86	22.4	7.43	22.4	7.16	22.0	7.02
	-11.8	-13	23.3	7.90	23.2	7.86	23.2	7.57	23.2	7.17	23.2	6.90	22.0	6.76
	-9.8	-11	24.0	7.86	24.0	7.53	23.9	7.27	23.9	6.89	23.6	6.63	22.0	6.48
	-9.5	-10	24.2	7.80	24.2	7.48	24.1	7.22	24.1	6.85	23.6	6.59	22.0	6.44
	-8.5	-9.1	24.6	7.63	24.6	7.32	24.5	7.07	24.4	6.71	23.6	6.45	22.0	6.30
	-7.0	-7.6	25.8	7.38	25.6	7.08	25.2	6.85	24.4	6.50	23.6	6.25	22.0	6.10
	-5.0	-5.6	26.9	7.03	26.6	6.76	25.2	6.55	24.4	6.22	23.6	5.97	22.0	5.82
	-3.0	-3.7	27.7	6.69	26.8	6.44	25.2	6.24	24.4	5.94	23.6	5.70	22.0	5.55
	0.0	-0.7	28.4	6.18	26.8	5.95	25.2	5.79	24.4	5.52	23.6	5.29	22.0	5.13
	3.0	2.2	28.4	5.66	26.8	5.47	25.2	5.34	24.4	5.10	23.6	4.88	22.0	4.72
	5.0	4.1	28.4	5.32	26.8	5.15	25.2	5.04	24.4	4.81	23.6	4.61	22.0	4.45
	7.0	6	28.4	4.98	26.8	4.82	25.2	4.74	24.4	4.53	23.6	4.34	22.0	4.17
9.0	7.9	28.4	4.72	26.8	4.57	25.2	4.49	24.4	4.30	23.6	4.11	22.0	3.96	
11.0	9.8	28.4	4.50	26.8	4.36	25.2	4.28	24.4	4.10	23.6	3.92	22.0	3.77	
13.0	11.8	28.4	4.27	26.8	4.13	25.2	4.06	24.4	3.89	23.6	3.72	22.0	3.58	
15.0	13.7	28.4	4.02	26.8	3.90	25.2	3.83	24.4	3.66	23.6	3.51	22.0	3.37	
90	-24.8	-25	15.3	7.25	15.3	7.35	15.2	7.42	15.2	7.45	15.2	7.51	14.9	7.61
	-21.8	-22	18.6	7.35	18.6	7.45	18.5	7.51	18.5	7.55	18.5	7.61	18.1	7.25
	-19.8	-20	19.7	7.41	19.7	7.51	19.5	7.58	19.5	7.61	19.5	7.36	19.1	7.01
	-18.8	-19	20.2	7.45	20.1	7.54	20.0	7.61	20.0	7.48	20.0	7.24	19.6	6.89
	-16.7	-17	21.0	7.51	21.0	7.61	21.0	7.34	21.0	7.21	21.0	6.98	20.1	6.64
	-13.7	-15	22.6	7.61	22.6	7.21	22.3	6.96	22.3	6.82	21.6	6.60	20.1	6.28
	-11.8	-13	23.3	7.33	23.2	6.95	23.1	6.71	22.3	6.58	21.6	6.37	20.1	6.05
	-9.8	-11	24.0	7.03	24.0	6.68	23.1	6.45	22.3	6.32	21.6	6.12	20.1	5.81
	-9.5	-10	24.2	6.99	24.2	6.64	23.1	6.41	22.3	6.28	21.6	6.08	20.1	5.77
	-8.5	-9.1	24.6	6.84	24.5	6.50	23.1	6.29	22.3	6.15	21.6	5.95	20.1	5.65
	-7.0	-7.6	25.8	6.62	24.5	6.30	23.1	6.09	22.3	5.96	21.6	5.77	20.1	5.47
	-5.0	-5.6	26.0	6.33	24.5	6.03	23.1	5.84	22.3	5.70	21.6	5.52	20.1	5.23
	-3.0	-3.7	26.0	6.03	24.5	5.76	23.1	5.58	22.3	5.44	21.6	5.27	20.1	4.99
	0.0	-0.7	26.0	5.59	24.5	5.36	23.1	5.19	22.3	5.05	21.6	4.90	20.1	4.63
	3.0	2.2	26.0	5.14	24.5	4.95	23.1	4.81	22.3	4.66	21.6	4.52	20.1	4.27
	5.0	4.1	26.0	4.85	24.5	4.68	23.1	4.55	22.3	4.40	21.6	4.27	20.1	4.03
	7.0	6	26.0	4.55	24.5	4.41	23.1	4.29	22.3	4.15	21.6	4.02	20.1	3.79
9.0	7.9	26.0	4.28	24.5	4.15	23.1	4.04	22.3	3.90	21.6	3.78	20.1	3.57	
11.0	9.8	26.0	4.01	24.5	3.88	23.1	3.78	22.3	3.65	21.6	3.54	20.1	3.34	
13.0	11.8	26.0	3.73	24.5	3.62	23.1	3.52	22.3	3.40	21.6	3.30	20.1	3.11	
15.0	13.7	26.0	3.46	24.5	3.35	23.1	3.26	22.3	3.15	21.6	3.06	20.1	2.88	
80	-24.8	-25	15.2	6.39	15.2	6.49	15.1	6.55	15.1	6.59	15.1	6.75	14.8	6.43
	-21.8	-22	18.4	6.49	18.4	6.58	18.4	6.65	18.4	6.75	18.4	6.43	17.9	6.13
	-19.8	-20	19.4	6.55	19.4	6.65	19.4	6.75	19.4	6.52	19.3	6.22	17.9	5.93
	-18.8	-19	19.9	6.58	19.9	6.75	19.9	6.63	19.9	6.41	19.3	6.11	17.9	5.83
	-16.7	-17	20.6	6.75	20.6	6.51	20.6	6.39	20.0	6.17	19.3	5.89	17.9	5.62
	-13.7	-15	20.6	6.39	20.6	6.16	20.6	6.04	20.0	5.84	19.3	5.57	17.9	5.32
	-11.8	-13	21.1	6.15	20.6	5.94	20.6	5.82	20.0	5.62	19.3	5.37	17.9	5.12
	-9.8	-11	22.0	5.91	21.4	5.71	20.6	5.59	20.0	5.40	19.3	5.16	17.9	4.92
	-9.5	-10	22.2	5.88	21.6	5.67	20.6	5.56	20.0	5.36	19.3	5.13	17.9	4.89
	-8.5	-9.1	22.6	5.76	22.0	5.56	20.6	5.44	20.0	5.25	19.3	5.03	17.9	4.79
	-7.0	-7.6	23.3	5.57	22.0	5.38	20.6	5.27	20.0	5.08	19.3	4.87	17.9	4.64
	-5.0	-5.6	23.3	5.33	22.0	5.15	20.6	5.04	20.0	4.85	19.3	4.65	17.9	4.44
	-3.0	-3.7	23.3	5.09	22.0	4.92	20.6	4.81	20.0	4.63	19.3	4.44	17.9	4.24
	0.0	-0.7	23.3	4.72	22.0	4.57	20.6	4.46	20.0	4.29	19.3	4.13	17.9	3.94
	3.0	2.2	23.3	4.36	22.0	4.23	20.6	4.11	20.0	3.95	19.3	3.81	17.9	3.64
	5.0	4.1	23.3	4.12	22.0	4.00	20.6	3.88	20.0	3.73	19.3	3.60	17.9	3.43
	7.0	6	23.3	3.88	22.0	3.76	20.6	3.65	20.0	3.50	19.3	3.39	17.9	3.23
9.0	7.9	23.3	3.64	22.0	3.53	20.6	3.43	20.0	3.29	19.3	3.18	17.9	3.04	
11.0	9.8	23.3	3.38	22.0	3.28	20.6	3.18	20.0	3.05	19.3	2.95	17.9	2.82	
13.0	11.8	23.3	3.15	22.0	3.06	20.6	2.97	20.0	2.85	19.3	2.75	17.9	2.63	
15.0	13.7	23.3	2.97	22.0	2.88	20.6	2.80	20.0	2.68	19.3	2.59	17.9	2.48	

Notes:

1. TC: Total Capacity(kW) PI : Power Input(kW)(Comp. + Outdoor fan motor)
2. Capacity tables show the average value of conditions which may occur.
3. ■■■ is shown as reference. When selecting the outdoor units, avoid the outdoor air temperature range shown by ■■■ .

7. Capacity Tables

Heating Capacity(8HP)

Combination (%)	Outdoor air temp		Indoor air temp. °C DB											
			16		18		20		21		22		24	
	°C DB	°C WB	TC	PI	TC	PI	TC	PI	TC	PI	TC	PI	TC	PI
70	-24.8	-25	15.2	6.40	15.2	6.43	15.1	6.49	15.1	6.59	15.1	6.25	14.8	5.93
	-21.8	-22	17.7	6.49	17.7	6.53	17.6	6.59	17.0	6.25	16.5	5.93	15.4	5.63
	-19.8	-20	19.3	6.56	18.7	6.59	17.6	6.35	17.0	6.02	16.5	5.72	15.4	5.43
	-18.8	-19	19.8	6.59	18.7	6.47	17.6	6.23	17.0	5.91	16.5	5.62	15.4	5.33
	-16.7	-17	19.8	6.33	18.7	6.20	17.6	5.98	17.0	5.67	16.5	5.40	15.4	5.12
	-13.7	-15	19.8	5.96	18.7	5.83	17.6	5.62	17.0	5.33	16.5	5.08	15.4	4.81
	-11.8	-13	19.8	5.72	18.7	5.59	17.6	5.39	17.0	5.12	16.5	4.88	15.4	4.62
	-9.8	-11	19.8	5.47	18.7	5.34	17.6	5.15	17.0	4.89	16.5	4.67	15.4	4.42
	-9.5	-10	19.8	5.43	18.7	5.30	17.6	5.11	17.0	4.86	16.5	4.64	15.4	4.39
	-8.5	-9.1	19.8	5.31	18.7	5.18	17.6	4.99	17.0	4.75	16.5	4.53	15.4	4.29
	-7.0	-7.6	19.8	5.12	18.7	4.99	17.6	4.81	17.0	4.58	16.5	4.38	15.4	4.14
	-5.0	-5.6	19.8	4.87	18.7	4.74	17.6	4.57	17.0	4.35	16.5	4.16	15.4	3.94
	-3.0	-3.7	19.8	4.62	18.7	4.49	17.6	4.33	17.0	4.12	16.5	3.95	15.4	3.74
	0.0	-0.7	19.8	4.25	18.7	4.12	17.6	3.97	17.0	3.78	16.5	3.64	15.4	3.43
	3.0	2.2	19.8	3.87	18.7	3.74	17.6	3.61	17.0	3.44	16.5	3.32	15.4	3.13
	5.0	4.1	19.8	3.62	18.7	3.49	17.6	3.37	17.0	3.22	16.5	3.11	15.4	2.93
	7.0	6	19.8	3.38	18.7	3.24	17.6	3.13	17.0	2.99	16.5	2.90	15.4	2.73
9.0	7.9	19.8	3.05	18.7	2.93	17.6	2.83	17.0	2.70	16.5	2.62	15.4	2.46	
11.0	9.8	19.8	2.84	18.7	2.72	17.6	2.63	17.0	2.51	16.5	2.44	15.4	2.29	
13.0	11.8	19.8	2.66	18.7	2.55	17.6	2.46	17.0	2.35	16.5	2.28	15.4	2.14	
15.0	13.7	19.8	2.50	18.7	2.40	17.6	2.32	17.0	2.22	16.5	2.15	15.4	2.02	
60	-24.8	-25	15.1	6.33	15.1	6.40	15.1	6.49	14.5	6.13	14.0	5.80	13.1	5.48
	-21.8	-22	16.2	6.43	16.1	6.49	15.1	6.13	14.5	5.80	14.0	5.48	13.1	5.18
	-19.8	-20	17.0	6.49	16.1	6.24	15.1	5.89	14.5	5.57	14.0	5.27	13.1	4.98
	-18.8	-19	17.0	6.36	16.1	6.11	15.1	5.77	14.5	5.46	14.0	5.17	13.1	4.88
	-16.7	-17	17.0	6.09	16.1	5.84	15.1	5.52	14.5	5.23	14.0	4.95	13.1	4.67
	-13.7	-15	17.0	5.70	16.1	5.46	15.1	5.16	14.5	4.89	14.0	4.63	13.1	4.37
	-11.8	-13	17.0	5.45	16.1	5.21	15.1	4.93	14.5	4.68	14.0	4.44	13.1	4.18
	-9.8	-11	17.0	5.19	16.1	4.96	15.1	4.69	14.5	4.45	14.0	4.23	13.1	3.98
	-9.5	-10	17.0	5.15	16.1	4.92	15.1	4.66	14.5	4.42	14.0	4.19	13.1	3.95
	-8.5	-9.1	17.0	5.02	16.1	4.79	15.1	4.54	14.5	4.31	14.0	4.09	13.1	3.85
	-7.0	-7.6	17.0	4.82	16.1	4.60	15.1	4.36	14.5	4.14	14.0	3.93	13.1	3.70
	-5.0	-5.6	17.0	4.56	16.1	4.34	15.1	4.12	14.5	3.91	14.0	3.72	13.1	3.50
	-3.0	-3.7	17.0	4.30	16.1	4.09	15.1	3.88	14.5	3.69	14.0	3.51	13.1	3.30
	0.0	-0.7	17.0	3.91	16.1	3.70	15.1	3.51	14.5	3.35	14.0	3.20	13.1	2.99
	3.0	2.2	17.0	3.52	16.1	3.32	15.1	3.15	14.5	3.02	14.0	2.88	13.1	2.69
	5.0	4.1	17.0	3.26	16.1	3.06	15.1	2.91	14.5	2.79	14.0	2.67	13.1	2.49
	7.0	6	17.0	2.99	16.1	2.80	15.1	2.67	14.5	2.57	14.0	2.47	13.1	2.29
9.0	7.9	17.0	2.67	16.1	2.50	15.1	2.39	14.5	2.29	14.0	2.20	13.1	2.05	
11.0	9.8	17.0	2.49	16.1	2.34	15.1	2.23	14.5	2.14	14.0	2.05	13.1	1.91	
13.0	11.8	17.0	2.34	16.1	2.19	15.1	2.09	14.5	2.01	14.0	1.92	13.1	1.79	
15.0	13.7	17.0	2.21	16.1	2.07	15.1	1.97	14.5	1.90	14.0	1.82	13.1	1.69	
50	-24.8	-25	14.1	5.51	13.3	5.60	12.5	5.29	12.1	4.99	11.7	4.72	10.9	4.46
	-21.8	-22	14.1	5.60	13.3	5.29	12.5	4.99	12.1	4.72	11.7	4.46	10.9	4.22
	-19.8	-20	14.1	5.38	13.3	5.08	12.5	4.80	12.1	4.53	11.7	4.29	10.9	4.05
	-18.8	-19	14.1	5.27	13.3	4.97	12.5	4.70	12.1	4.44	11.7	4.21	10.9	3.97
	-16.7	-17	14.1	5.04	13.3	4.75	12.5	4.50	12.1	4.25	11.7	4.03	10.9	3.80
	-13.7	-15	14.1	4.71	13.3	4.44	12.5	4.20	12.1	3.97	11.7	3.77	10.9	3.56
	-11.8	-13	14.1	4.50	13.3	4.24	12.5	4.02	12.1	3.80	11.7	3.61	10.9	3.40
	-9.8	-11	14.1	4.27	13.3	4.03	12.5	3.82	12.1	3.61	11.7	3.44	10.9	3.24
	-9.5	-10	14.1	4.24	13.3	4.00	12.5	3.79	12.1	3.59	11.7	3.41	10.9	3.22
	-8.5	-9.1	14.1	4.13	13.3	3.89	12.5	3.69	12.1	3.49	11.7	3.33	10.9	3.13
	-7.0	-7.6	14.1	3.96	13.3	3.73	12.5	3.55	12.1	3.36	11.7	3.20	10.9	3.01
	-5.0	-5.6	14.1	3.74	13.3	3.52	12.5	3.35	12.1	3.17	11.7	3.03	10.9	2.85
	-3.0	-3.7	14.1	3.52	13.3	3.31	12.5	3.16	12.1	2.99	11.7	2.86	10.9	2.69
	0.0	-0.7	14.1	3.19	13.3	3.00	12.5	2.86	12.1	2.71	11.7	2.60	10.9	2.44
	3.0	2.2	14.1	2.86	13.3	2.68	12.5	2.57	12.1	2.44	11.7	2.35	10.9	2.20
	5.0	4.1	14.1	2.64	13.3	2.47	12.5	2.37	12.1	2.25	11.7	2.18	10.9	2.03
	7.0	6	14.1	2.42	13.3	2.26	12.5	2.18	12.1	2.07	11.7	2.01	10.9	1.87
9.0	7.9	14.1	2.18	13.3	2.04	12.5	1.97	12.1	1.87	11.7	1.81	10.9	1.69	
11.0	9.8	14.1	2.04	13.3	1.91	12.5	1.84	12.1	1.75	11.7	1.69	10.9	1.58	
13.0	11.8	14.1	1.92	13.3	1.79	12.5	1.73	12.1	1.64	11.7	1.59	10.9	1.48	
15.0	13.7	14.1	1.81	13.3	1.70	12.5	1.64	12.1	1.55	11.7	1.51	10.9	1.40	

Notes:

1. TC: Total Capacity(kW) PI : Power Input(kW)(Comp. + Outdoor fan motor)
2. Capacity tables show the average value of conditions which may occur.
3. ■■■ is shown as reference. When selecting the outdoor units, avoid the outdoor air temperature range shown by ■■■.

7. Capacity Tables

ARUB100LTE4

Heating Capacity(10HP)

Combination (%)	Outdoor air temp		Indoor air temp. °C DB											
			16		18		20		21		22		24	
	°C DB	°C WB	TC	PI	TC	PI	TC	PI	TC	PI	TC	PI	TC	PI
130	-24.8	-25	20.4	9.97	20.4	10.07	20.2	10.16	20.2	10.29	20.2	10.42	19.7	10.62
	-21.8	-22	24.7	10.17	24.7	10.27	24.6	10.36	24.6	10.49	24.6	10.62	24.0	10.82
	-19.8	-20	26.1	10.30	26.1	10.40	25.9	10.49	25.9	10.63	25.9	10.76	25.3	10.96
	-18.8	-19	26.6	10.37	26.6	10.47	26.4	10.56	26.4	10.69	26.4	10.82	25.7	11.02
	-16.7	-17	27.5	10.51	27.5	10.61	27.3	10.70	27.3	10.84	27.3	10.96	26.6	11.17
	-13.7	-15	28.8	10.71	28.8	10.82	28.7	10.90	28.7	11.04	28.7	11.17	27.9	10.58
	-11.8	-13	29.7	10.84	29.7	10.94	29.5	11.03	29.5	11.17	29.5	10.76	28.8	10.21
	-9.8	-11	30.5	10.98	30.5	11.08	30.3	11.17	30.3	10.72	30.3	10.33	29.6	9.81
	-9.5	-10	30.7	11.00	30.7	11.10	30.5	11.09	30.5	10.65	30.5	10.26	29.8	9.75
	-8.5	-9.1	31.3	11.06	31.3	11.17	31.1	10.85	31.1	10.42	30.9	10.05	30.2	9.56
	-7.0	-7.6	32.2	11.17	32.2	10.80	32.0	10.49	32.0	10.08	32.0	9.73	30.8	9.27
	-5.0	-5.6	33.4	10.66	33.4	10.30	33.2	10.01	33.2	9.63	33.2	9.30	31.7	8.87
	-3.0	-3.7	34.7	10.15	34.7	9.81	34.4	9.54	34.4	9.18	34.4	8.87	32.6	8.48
	0.0	-0.7	36.5	9.38	36.5	9.07	36.3	8.82	36.3	8.51	36.3	8.23	33.9	7.89
	3.0	2.2	38.3	8.62	38.3	8.34	38.1	8.10	38.1	7.83	38.1	7.58	35.2	7.31
	5.0	4.1	39.5	8.11	39.5	7.84	39.3	7.62	39.3	7.38	38.2	7.15	35.6	6.91
	7.0	6	40.7	7.60	40.7	7.35	40.5	7.14	39.6	6.93	38.2	6.72	35.6	6.52
9.0	7.9	40.7	7.16	40.7	6.93	40.6	6.72	39.6	6.53	38.2	6.33	35.6	6.14	
11.0	9.8	40.7	6.77	40.7	6.55	40.6	6.36	39.6	6.18	38.2	5.99	35.6	5.81	
13.0	11.8	40.7	6.37	40.7	6.16	40.6	5.98	39.6	5.81	38.2	5.64	35.6	5.47	
15.0	13.7	40.7	5.94	40.7	5.75	40.6	5.58	39.6	5.42	38.2	5.26	35.6	5.10	
120	-24.8	-25	20.2	10.07	20.2	10.16	20.1	10.29	20.1	10.42	20.1	10.62	19.6	10.76
	-21.8	-22	24.6	10.27	24.6	10.36	24.4	10.49	24.4	10.62	24.4	10.82	23.8	10.96
	-19.8	-20	25.9	10.40	25.9	10.49	25.8	10.63	25.8	10.76	25.8	10.96	25.1	11.10
	-18.8	-19	26.4	10.47	26.4	10.56	26.2	10.69	26.2	10.82	26.2	11.02	25.5	11.17
	-16.7	-17	27.3	10.61	27.3	10.70	27.1	10.84	27.1	10.96	27.1	11.17	26.4	10.79
	-13.7	-15	28.6	10.82	28.6	10.90	28.5	11.04	28.5	11.17	28.5	10.59	27.7	10.25
	-11.8	-13	29.5	10.94	29.5	11.03	29.3	11.17	29.3	10.76	29.3	10.23	28.6	9.91
	-9.8	-11	30.3	11.08	30.3	11.17	30.1	10.70	30.1	10.32	30.1	9.85	29.4	9.55
	-9.5	-10	30.5	11.10	30.5	11.09	30.3	10.64	30.3	10.26	30.3	9.79	29.5	9.49
	-8.5	-9.1	31.1	11.17	31.1	10.84	30.9	10.41	30.9	10.04	30.8	9.60	30.0	9.31
	-7.0	-7.6	32.0	10.78	32.0	10.47	31.8	10.06	31.8	9.72	31.4	9.31	30.6	9.04
	-5.0	-5.6	33.2	10.26	33.2	9.97	33.0	9.60	33.0	9.29	33.0	8.93	31.5	8.68
	-3.0	-3.7	34.4	9.75	34.4	9.47	34.2	9.14	34.2	8.86	34.2	8.55	32.3	8.32
	0.0	-0.7	36.2	8.97	36.2	8.72	36.0	8.45	36.0	8.21	35.8	7.98	33.4	7.78
	3.0	2.2	38.0	8.20	38.0	7.97	37.8	7.75	37.1	7.56	35.8	7.40	33.4	7.24
	5.0	4.1	39.3	7.68	39.3	7.47	38.4	7.29	37.1	7.13	36.0	7.02	33.4	6.88
	7.0	6	40.4	7.16	40.0	6.97	38.4	6.83	37.1	6.70	36.0	6.64	33.4	6.52
9.0	7.9	40.4	6.75	40.0	6.56	38.4	6.43	37.1	6.31	36.0	6.25	33.4	6.14	
11.0	9.8	40.4	6.38	40.0	6.21	38.4	6.09	37.1	5.97	36.0	5.91	33.4	5.81	
13.0	11.8	40.4	6.00	40.0	5.84	38.4	5.72	37.1	5.61	36.0	5.56	33.4	5.46	
15.0	13.7	40.4	5.60	40.0	5.44	38.4	5.34	37.1	5.23	36.0	5.19	33.4	5.09	
110	-24.8	-25	20.1	10.16	20.1	10.29	20.0	10.42	20.0	10.62	20.0	10.76	19.5	10.83
	-21.8	-22	24.4	10.36	24.4	10.49	24.3	10.62	24.3	10.82	24.3	10.96	23.7	11.03
	-19.8	-20	25.8	10.49	25.8	10.63	25.6	10.76	25.6	10.96	25.6	11.10	25.0	11.17
	-18.8	-19	26.2	10.56	26.2	10.69	26.1	10.82	26.1	11.02	26.1	11.17	25.4	10.98
	-16.7	-17	27.2	10.70	27.2	10.84	27.0	10.96	27.0	11.17	27.0	10.77	26.3	10.58
	-13.7	-15	28.5	10.90	28.5	11.04	28.3	11.17	28.3	10.56	28.3	10.20	28.3	10.01
	-11.8	-13	29.3	11.03	29.3	11.17	29.1	10.73	29.1	10.17	29.1	9.84	29.1	9.65
	-9.8	-11	30.1	11.17	30.1	10.67	30.0	10.28	30.0	9.77	30.0	9.46	29.4	9.27
	-9.5	-10	30.3	11.08	30.3	10.60	30.1	10.21	30.1	9.71	30.1	9.41	29.8	9.22
	-8.5	-9.1	30.9	10.81	30.9	10.35	30.7	9.98	30.7	9.51	30.7	9.22	30.1	9.03
	-7.0	-7.6	31.8	10.41	31.8	9.98	31.6	9.64	31.6	9.20	31.6	8.93	30.1	8.74
	-5.0	-5.6	33.0	9.87	33.0	9.49	32.8	9.18	32.8	8.80	32.2	8.56	30.1	8.36
	-3.0	-3.7	34.2	9.33	34.2	8.99	34.0	8.73	33.3	8.39	32.2	8.18	30.1	7.99
	0.0	-0.7	36.0	8.51	36.0	8.25	34.4	8.04	33.3	7.79	32.2	7.61	30.1	7.42
	3.0	2.2	37.8	7.70	36.7	7.51	34.4	7.36	33.3	7.18	32.2	7.04	30.1	6.85
	5.0	4.1	38.8	7.16	36.7	7.02	34.4	6.90	33.3	6.77	32.2	6.67	30.1	6.47
	7.0	6	38.8	6.62	36.7	6.52	34.4	6.45	33.3	6.37	32.2	6.29	30.1	6.09
9.0	7.9	38.8	6.21	36.7	6.12	34.4	6.05	33.3	5.98	32.2	5.90	30.1	5.72	
11.0	9.8	38.8	5.85	36.7	5.77	34.4	5.70	33.3	5.63	32.2	5.56	30.1	5.39	
13.0	11.8	38.8	5.48	36.7	5.39	34.4	5.33	33.3	5.27	32.2	5.20	30.1	5.04	
15.0	13.7	38.8	5.08	36.7	5.00	34.4	4.95	33.3	4.89	32.2	4.83	30.1	4.68	

Notes:

1. TC: Total Capacity(kW) PI : Power Input(kW)(Comp. + Outdoor fan motor)
2. Capacity tables show the average value of conditions which may occur.
3. ■■■ is shown as reference. When selecting the outdoor units, avoid the outdoor air temperature range shown by ■■■ .

7. Capacity Tables

Heating Capacity(10HP)

Combination (%)	Outdoor air temp		Indoor air temp. °C DB											
			16		18		20		21		22		24	
	°C DB	°C WB	TC	PI	TC	PI	TC	PI	TC	PI	TC	PI	TC	PI
100	-24.8	-25	20.0	10.58	20.0	10.66	19.9	10.36	19.9	10.85	19.9	10.93	19.4	10.97
	-21.8	-22	24.3	10.70	24.3	10.77	24.2	10.69	24.2	10.97	24.2	11.11	23.6	11.09
	-19.8	-20	25.7	10.77	25.7	10.85	25.5	10.90	25.5	11.04	25.5	11.15	24.9	11.17
	-18.8	-19	26.1	10.81	25.9	10.89	25.9	10.97	25.9	11.08	25.9	11.17	25.3	10.95
	-16.7	-17	26.9	10.90	26.9	10.97	26.9	11.11	26.7	11.17	26.7	10.71	26.0	10.50
	-13.7	-15	28.3	11.01	28.3	11.09	28.2	11.17	28.2	10.49	28.2	10.06	27.5	9.85
	-11.8	-13	29.1	11.09	29.0	11.17	29.0	10.70	29.0	10.06	29.0	9.65	27.5	9.44
	-9.8	-11	30.0	11.17	30.0	10.64	29.8	10.21	29.8	9.61	29.5	9.22	27.5	9.00
	-9.5	-10	30.2	11.08	30.2	10.56	30.0	10.14	30.0	9.55	29.5	9.15	27.5	8.94
	-8.5	-9.1	30.8	10.80	30.8	10.30	30.6	9.89	30.5	9.32	29.5	8.94	27.5	8.72
	-7.0	-7.6	32.2	10.37	32.0	9.90	31.5	9.53	30.5	8.98	29.5	8.61	27.5	8.40
	-5.0	-5.6	33.6	9.81	33.3	9.37	31.5	9.04	30.5	8.53	29.5	8.18	27.5	7.97
	-3.0	-3.7	34.6	9.24	33.5	8.85	31.5	8.55	30.5	8.08	29.5	7.75	27.5	7.53
	0.0	-0.7	35.5	8.39	33.5	8.05	31.5	7.81	30.5	7.41	29.5	7.10	27.5	6.88
	3.0	2.2	35.5	7.54	33.5	7.26	31.5	7.08	30.5	6.74	29.5	6.45	27.5	6.24
	5.0	4.1	35.5	6.98	33.5	6.74	31.5	6.59	30.5	6.29	29.5	6.02	27.5	5.80
	7.0	6	35.5	6.41	33.5	6.21	31.5	6.10	30.5	5.84	29.5	5.58	27.5	5.37
9.0	7.9	35.5	5.86	33.5	5.68	31.5	5.58	30.5	5.34	29.5	5.11	27.5	4.91	
11.0	9.8	35.5	5.35	33.5	5.18	31.5	5.09	30.5	4.87	29.5	4.66	27.5	4.48	
13.0	11.8	35.5	4.82	33.5	4.67	31.5	4.59	30.5	4.39	29.5	4.20	27.5	4.04	
15.0	13.7	35.5	4.26	33.5	4.13	31.5	4.06	30.5	3.88	29.5	3.71	27.5	3.57	
90	-24.8	-25	19.9	9.78	19.9	9.99	19.8	10.13	19.8	10.19	19.8	10.33	19.3	10.53
	-21.8	-22	24.2	9.99	24.2	10.19	24.1	10.33	24.1	10.40	24.1	10.53	23.5	10.00
	-19.8	-20	25.6	10.12	25.6	10.32	25.4	10.46	25.4	10.53	25.4	10.16	24.8	9.64
	-18.8	-19	26.1	10.19	25.9	10.39	25.8	10.53	25.8	10.34	25.8	9.97	25.1	9.47
	-16.7	-17	26.9	10.33	26.9	10.53	26.8	10.12	26.8	9.93	26.8	9.58	25.1	9.09
	-13.7	-15	28.3	10.53	28.3	9.92	28.1	9.54	27.9	9.35	27.0	9.03	25.1	8.56
	-11.8	-13	29.1	10.10	29.0	9.53	28.8	9.17	27.9	8.98	27.0	8.67	25.1	8.22
	-9.8	-11	30.0	9.65	30.0	9.12	28.8	8.78	27.9	8.59	27.0	8.30	25.1	7.87
	-9.5	-10	30.2	9.58	30.2	9.06	28.8	8.73	27.9	8.53	27.0	8.24	25.1	7.81
	-8.5	-9.1	30.8	9.36	30.5	8.85	28.8	8.53	27.9	8.34	27.0	8.06	25.1	7.64
	-7.0	-7.6	32.2	9.02	30.6	8.54	28.8	8.24	27.9	8.05	27.0	7.78	25.1	7.37
	-5.0	-5.6	32.5	8.57	30.6	8.13	28.8	7.85	27.9	7.66	27.0	7.41	25.1	7.01
	-3.0	-3.7	32.5	8.12	30.6	7.72	28.8	7.46	27.9	7.27	27.0	7.04	25.1	6.66
	0.0	-0.7	32.5	7.44	30.6	7.11	28.8	6.88	27.9	6.69	27.0	6.48	25.1	6.13
	3.0	2.2	32.5	6.76	30.6	6.50	28.8	6.30	27.9	6.11	27.0	5.92	25.1	5.59
	5.0	4.1	32.5	6.31	30.6	6.09	28.8	5.91	27.9	5.72	27.0	5.55	25.1	5.24
	7.0	6	32.5	5.86	30.6	5.68	28.8	5.52	27.9	5.34	27.0	5.18	25.1	4.88
9.0	7.9	32.5	5.45	30.6	5.28	28.8	5.14	27.9	4.96	27.0	4.81	25.1	4.54	
11.0	9.8	32.5	5.03	30.6	4.88	28.8	4.75	27.9	4.59	27.0	4.45	25.1	4.20	
13.0	11.8	32.5	4.62	30.6	4.48	28.8	4.36	27.9	4.21	27.0	4.09	25.1	3.85	
15.0	13.7	32.5	4.21	30.6	4.08	28.8	3.97	27.9	3.84	27.0	3.72	25.1	3.51	
80	-24.8	-25	19.9	8.59	19.9	8.79	19.7	8.93	19.7	9.00	19.7	9.34	19.2	8.87
	-21.8	-22	24.0	8.79	24.0	8.99	24.0	9.14	24.0	9.34	24.0	8.87	22.4	8.42
	-19.8	-20	25.3	8.93	25.3	9.13	25.3	9.34	25.0	9.00	24.1	8.55	22.4	8.13
	-18.8	-19	25.7	8.99	25.7	9.34	25.7	9.16	25.0	8.83	24.1	8.40	22.4	7.98
	-16.7	-17	25.8	9.34	25.8	8.97	25.8	8.80	25.0	8.48	24.1	8.07	22.4	7.67
	-13.7	-15	25.8	8.79	25.8	8.45	25.8	8.28	25.0	7.98	24.1	7.60	22.4	7.22
	-11.8	-13	26.6	8.44	25.9	8.12	25.8	7.95	25.0	7.66	24.1	7.30	22.4	6.94
	-9.8	-11	27.7	8.07	26.9	7.77	25.8	7.61	25.0	7.32	24.1	6.99	22.4	6.65
	-9.5	-10	27.8	8.02	27.0	7.72	25.8	7.56	25.0	7.27	24.1	6.94	22.4	6.60
	-8.5	-9.1	28.4	7.83	27.5	7.54	25.8	7.38	25.0	7.11	24.1	6.78	22.4	6.46
	-7.0	-7.6	29.1	7.56	27.5	7.28	25.8	7.12	25.0	6.85	24.1	6.55	22.4	6.23
	-5.0	-5.6	29.1	7.19	27.5	6.93	25.8	6.78	25.0	6.52	24.1	6.24	22.4	5.94
	-3.0	-3.7	29.1	6.82	27.5	6.59	25.8	6.43	25.0	6.18	24.1	5.92	22.4	5.64
	0.0	-0.7	29.1	6.27	27.5	6.06	25.8	5.91	25.0	5.68	24.1	5.45	22.4	5.20
	3.0	2.2	29.1	5.72	27.5	5.54	25.8	5.39	25.0	5.18	24.1	4.98	22.4	4.75
	5.0	4.1	29.1	5.36	27.5	5.19	25.8	5.05	25.0	4.84	24.1	4.67	22.4	4.46
	7.0	6	29.1	4.99	27.5	4.84	25.8	4.70	25.0	4.51	24.1	4.36	22.4	4.16
9.0	7.9	29.1	4.68	27.5	4.55	25.8	4.41	25.0	4.23	24.1	4.09	22.4	3.91	
11.0	9.8	29.1	4.35	27.5	4.22	25.8	4.10	25.0	3.93	24.1	3.80	22.4	3.63	
13.0	11.8	29.1	4.06	27.5	3.94	25.8	3.82	25.0	3.67	24.1	3.54	22.4	3.38	
15.0	13.7	29.1	3.82	27.5	3.71	25.8	3.60	25.0	3.45	24.1	3.34	22.4	3.19	

Notes:

1. TC: Total Capacity(kW) PI : Power Input(kW)(Comp. + Outdoor fan motor)
2. Capacity tables show the average value of conditions which may occur.
3. ■■■ is shown as reference. When selecting the outdoor units, avoid the outdoor air temperature range shown by ■■■ .

7. Capacity Tables

Heating Capacity(10HP)

Outdoor Units

Combination (%)	Outdoor air temp		Indoor air temp. °C DB											
			16		18		20		21		22		24	
	°C DB	°C WB	TC	PI	TC	PI	TC	PI	TC	PI	TC	PI	TC	PI
70	-24.8	-25	19.9	8.72	19.9	8.78	19.7	8.92	19.7	9.12	19.7	8.62	19.2	8.16
	-21.8	-22	22.1	8.92	22.1	8.98	21.9	9.12	21.2	8.62	20.6	8.16	19.2	7.72
	-19.8	-20	23.6	9.05	23.3	9.12	21.9	8.77	21.2	8.29	20.6	7.85	19.2	7.43
	-18.8	-19	24.3	9.12	23.3	8.93	21.9	8.59	21.2	8.12	20.6	7.70	19.2	7.28
	-16.7	-17	24.7	8.73	23.3	8.55	21.9	8.22	21.2	7.78	20.6	7.38	19.2	6.98
	-13.7	-15	24.7	8.18	23.3	7.99	21.9	7.69	21.2	7.28	20.6	6.91	19.2	6.54
	-11.8	-13	24.7	7.82	23.3	7.64	21.9	7.35	21.2	6.96	20.6	6.62	19.2	6.26
	-9.8	-11	24.7	7.45	23.3	7.27	21.9	7.00	21.2	6.63	20.6	6.32	19.2	5.97
	-9.5	-10	24.7	7.40	23.3	7.22	21.9	6.95	21.2	6.58	20.6	6.27	19.2	5.92
	-8.5	-9.1	24.7	7.21	23.3	7.03	21.9	6.77	21.2	6.42	20.6	6.12	19.2	5.78
	-7.0	-7.6	24.7	6.94	23.3	6.76	21.9	6.50	21.2	6.17	20.6	5.88	19.2	5.56
	-5.0	-5.6	24.7	6.57	23.3	6.39	21.9	6.15	21.2	5.84	20.6	5.58	19.2	5.26
	-3.0	-3.7	24.7	6.19	23.3	6.02	21.9	5.80	21.2	5.51	20.6	5.27	19.2	4.97
	0.0	-0.7	24.7	5.64	23.3	5.46	21.9	5.27	21.2	5.01	20.6	4.81	19.2	4.53
	3.0	2.2	24.7	5.08	23.3	4.91	21.9	4.74	21.2	4.51	20.6	4.35	19.2	4.09
	5.0	4.1	24.7	4.71	23.3	4.54	21.9	4.38	21.2	4.18	20.6	4.04	19.2	3.80
	7.0	6	24.7	4.34	23.3	4.17	21.9	4.03	21.2	3.85	20.6	3.73	19.2	3.51
9.0	7.9	24.7	3.92	23.3	3.77	21.9	3.64	21.2	3.47	20.6	3.37	19.2	3.17	
11.0	9.8	24.7	3.65	23.3	3.51	21.9	3.39	21.2	3.24	20.6	3.14	19.2	2.95	
13.0	11.8	24.7	3.42	23.3	3.28	21.9	3.17	21.2	3.03	20.6	2.94	19.2	2.76	
15.0	13.7	24.7	3.22	23.3	3.09	21.9	2.99	21.2	2.85	20.6	2.77	19.2	2.60	
60	-24.8	-25	18.9	8.58	18.9	8.72	18.8	8.92	18.2	8.40	17.6	7.92	16.4	7.47
	-21.8	-22	20.3	8.78	20.1	8.92	18.8	8.40	18.2	7.92	17.6	7.47	16.4	7.05
	-19.8	-20	21.2	8.92	20.1	8.55	18.8	8.06	18.2	7.60	17.6	7.17	16.4	6.76
	-18.8	-19	21.2	8.73	20.1	8.36	18.8	7.88	18.2	7.44	17.6	7.02	16.4	6.62
	-16.7	-17	21.2	8.33	20.1	7.98	18.8	7.52	18.2	7.10	17.6	6.71	16.4	6.32
	-13.7	-15	21.2	7.76	20.1	7.42	18.8	7.01	18.2	6.62	17.6	6.26	16.4	5.89
	-11.8	-13	21.2	7.41	20.1	7.07	18.8	6.68	18.2	6.32	17.6	5.98	16.4	5.62
	-9.8	-11	21.2	7.03	20.1	6.71	18.8	6.33	18.2	6.00	17.6	5.68	16.4	5.34
	-9.5	-10	21.2	6.97	20.1	6.65	18.8	6.28	18.2	5.95	17.6	5.64	16.4	5.30
	-8.5	-9.1	21.2	6.78	20.1	6.47	18.8	6.11	18.2	5.79	17.6	5.49	16.4	5.15
	-7.0	-7.6	21.2	6.50	20.1	6.19	18.8	5.85	18.2	5.55	17.6	5.26	16.4	4.94
	-5.0	-5.6	21.2	6.12	20.1	5.82	18.8	5.51	18.2	5.23	17.6	4.96	16.4	4.66
	-3.0	-3.7	21.2	5.74	20.1	5.45	18.8	5.16	18.2	4.91	17.6	4.67	16.4	4.37
	0.0	-0.7	21.2	5.18	20.1	4.90	18.8	4.65	18.2	4.43	17.6	4.22	16.4	3.95
	3.0	2.2	21.2	4.61	20.1	4.35	18.8	4.13	18.2	3.95	17.6	3.77	16.4	3.52
	5.0	4.1	21.2	4.23	20.1	3.98	18.8	3.79	18.2	3.63	17.6	3.47	16.4	3.23
	7.0	6	21.2	3.85	20.1	3.61	18.8	3.44	18.2	3.31	17.6	3.17	16.4	2.95
9.0	7.9	21.2	3.44	20.1	3.22	18.8	3.07	18.2	2.95	17.6	2.83	16.4	2.63	
11.0	9.8	21.2	3.21	20.1	3.01	18.8	2.87	18.2	2.76	17.6	2.64	16.4	2.46	
13.0	11.8	21.2	3.01	20.1	2.82	18.8	2.69	18.2	2.58	17.6	2.48	16.4	2.30	
15.0	13.7	21.2	2.84	20.1	2.66	18.8	2.54	18.2	2.44	17.6	2.34	16.4	2.18	
50	-24.8	-25	17.7	7.55	16.7	7.75	15.7	7.30	15.2	6.87	14.7	6.47	13.7	6.11
	-21.8	-22	17.7	7.75	16.7	7.30	15.7	6.87	15.2	6.47	14.7	6.11	13.7	5.76
	-19.8	-20	17.7	7.43	16.7	6.99	15.7	6.59	15.2	6.21	14.7	5.86	13.7	5.53
	-18.8	-19	17.7	7.27	16.7	6.84	15.7	6.45	15.2	6.08	14.7	5.74	13.7	5.41
	-16.7	-17	17.7	6.93	16.7	6.52	15.7	6.15	15.2	5.80	14.7	5.48	13.7	5.16
	-13.7	-15	17.7	6.45	16.7	6.06	15.7	5.73	15.2	5.40	14.7	5.12	13.7	4.82
	-11.8	-13	17.7	6.14	16.7	5.77	15.7	5.46	15.2	5.15	14.7	4.88	13.7	4.59
	-9.8	-11	17.7	5.82	16.7	5.47	15.7	5.18	15.2	4.89	14.7	4.64	13.7	4.36
	-9.5	-10	17.7	5.77	16.7	5.42	15.7	5.13	15.2	4.85	14.7	4.60	13.7	4.33
	-8.5	-9.1	17.7	5.61	16.7	5.27	15.7	4.99	15.2	4.71	14.7	4.48	13.7	4.21
	-7.0	-7.6	17.7	5.37	16.7	5.04	15.7	4.78	15.2	4.52	14.7	4.29	13.7	4.04
	-5.0	-5.6	17.7	5.04	16.7	4.74	15.7	4.50	15.2	4.25	14.7	4.05	13.7	3.80
	-3.0	-3.7	17.7	4.72	16.7	4.43	15.7	4.22	15.2	3.99	14.7	3.81	13.7	3.57
	0.0	-0.7	17.7	4.24	16.7	3.98	15.7	3.79	15.2	3.59	14.7	3.44	13.7	3.22
	3.0	2.2	17.7	3.75	16.7	3.52	15.7	3.37	15.2	3.19	14.7	3.07	13.7	2.87
	5.0	4.1	17.7	3.43	16.7	3.22	15.7	3.09	15.2	2.93	14.7	2.83	13.7	2.64
	7.0	6	17.7	3.11	16.7	2.91	15.7	2.80	15.2	2.66	14.7	2.58	13.7	2.41
9.0	7.9	17.7	2.81	16.7	2.63	15.7	2.53	15.2	2.40	14.7	2.33	13.7	2.17	
11.0	9.8	17.7	2.63	16.7	2.46	15.7	2.37	15.2	2.25	14.7	2.18	13.7	2.03	
13.0	11.8	17.7	2.47	16.7	2.31	15.7	2.22	15.2	2.11	14.7	2.05	13.7	1.91	
15.0	13.7	17.7	2.33	16.7	2.18	15.7	2.10	15.2	2.00	14.7	1.94	13.7	1.81	

Notes:

1. TC: Total Capacity(kW) PI : Power Input(kW)(Comp. + Outdoor fan motor)
2. Capacity tables show the average value of conditions which may occur.
3. ■■■ is shown as reference. When selecting the outdoor units, avoid the outdoor air temperature range shown by ■■■.

7. Capacity Tables

ARUB120LTE4

Heating Capacity(12HP)

Combination (%)	Outdoor air temp		Indoor air temp. °C DB											
			16		18		20		21		22		24	
	°C DB	°C WB	TC	PI	TC	PI	TC	PI	TC	PI	TC	PI	TC	PI
130	-24.8	-25	23.9	11.77	23.9	12.00	23.8	12.19	23.8	12.48	23.8	12.76	23.7	13.20
	-21.8	-22	28.4	12.22	28.4	12.44	28.2	12.63	28.2	12.92	28.2	13.20	28.1	13.65
	-19.8	-20	29.6	12.51	29.6	12.73	29.4	12.92	29.4	13.22	29.4	13.50	29.3	13.94
	-18.8	-19	30.3	12.66	30.3	12.88	30.1	13.07	30.1	13.37	30.1	13.65	30.0	14.09
	-16.7	-17	31.8	12.97	31.8	13.19	31.6	13.38	31.6	13.67	31.6	13.95	31.4	14.40
	-13.7	-15	33.9	13.41	33.9	13.63	33.7	13.82	33.7	14.12	33.7	14.40	33.5	13.73
	-11.8	-13	35.0	13.69	35.0	13.91	34.8	14.10	34.8	14.40	34.8	13.94	34.8	13.30
	-9.8	-11	36.2	13.98	36.2	14.21	35.9	14.40	35.9	13.89	35.9	13.45	35.9	12.85
	-9.5	-10	36.4	14.03	36.4	14.25	36.2	14.32	36.2	13.82	36.1	13.38	36.1	12.79
	-8.5	-9.1	37.3	14.18	37.3	14.40	37.1	14.05	37.1	13.57	36.7	13.14	36.7	12.56
	-7.0	-7.6	38.7	14.40	38.7	14.00	38.4	13.66	38.4	13.19	38.4	12.77	38.2	12.23
	-5.0	-5.6	40.5	13.85	40.5	13.46	40.2	13.13	40.2	12.69	40.2	12.29	39.5	11.78
	-3.0	-3.7	42.3	13.31	42.3	12.93	42.0	12.60	42.0	12.18	42.0	11.80	40.9	11.33
	0.0	-0.7	44.9	12.50	44.9	12.13	44.7	11.81	44.7	11.43	44.7	11.08	42.7	10.66
	3.0	2.2	47.6	11.68	47.6	11.32	47.3	11.01	47.3	10.67	45.8	10.35	42.7	9.99
	5.0	4.1	48.9	11.14	48.9	10.79	48.7	10.49	47.5	10.17	45.8	9.86	42.7	9.55
	7.0	6	48.9	10.60	48.9	10.25	48.7	9.96	47.5	9.67	45.8	9.38	42.7	9.10
	9.0	7.9	48.9	10.13	48.9	9.81	48.7	9.52	47.5	9.25	45.8	8.97	42.7	8.70
11.0	9.8	48.9	9.76	48.9	9.44	48.7	9.17	47.5	8.90	45.8	8.64	42.7	8.38	
13.0	11.8	48.9	9.35	48.9	9.05	48.7	8.79	47.5	8.53	45.8	8.28	42.7	8.03	
15.0	13.7	48.9	8.93	48.9	8.64	48.7	8.39	47.5	8.15	45.8	7.90	42.7	7.67	
120	-24.8	-25	23.8	12.00	23.8	12.19	23.6	12.48	23.6	12.76	23.6	13.20	23.5	13.51
	-21.8	-22	28.2	12.44	28.2	12.63	28.0	12.92	28.0	13.20	28.0	13.65	27.9	13.95
	-19.8	-20	29.4	12.73	29.4	12.92	29.2	13.22	29.2	13.50	29.2	13.94	29.1	14.25
	-18.8	-19	30.1	12.88	30.1	13.07	29.9	13.37	29.9	13.65	29.9	14.09	29.8	14.40
	-16.7	-17	31.6	13.19	31.6	13.38	31.4	13.67	31.4	13.95	31.4	14.40	31.2	13.97
	-13.7	-15	33.6	13.63	33.6	13.82	33.4	14.12	33.4	14.40	33.4	13.75	33.3	13.35
	-11.8	-13	34.7	13.91	34.7	14.10	34.5	14.40	34.5	13.93	34.5	13.33	34.5	12.96
	-9.8	-11	35.9	14.21	35.9	14.40	35.7	13.88	35.7	13.45	35.7	12.90	35.7	12.55
	-9.5	-10	36.2	14.25	36.2	14.31	36.0	13.80	36.0	13.37	36.0	12.84	36.0	12.49
	-8.5	-9.1	37.1	14.40	37.1	14.04	36.8	13.54	36.8	13.13	36.8	12.62	36.8	12.28
	-7.0	-7.6	38.4	13.97	38.4	13.62	38.2	13.15	38.2	12.76	38.0	12.29	37.9	11.97
	-5.0	-5.6	40.2	13.40	40.2	13.06	39.9	12.64	39.9	12.28	39.9	11.86	39.3	11.56
	-3.0	-3.7	42.0	12.83	42.0	12.50	41.7	12.12	41.7	11.79	41.7	11.43	40.1	11.15
	0.0	-0.7	44.6	11.98	44.6	11.67	44.3	11.34	44.3	11.06	43.1	10.78	40.1	10.53
	3.0	2.2	47.3	11.13	47.3	10.84	46.1	10.57	44.5	10.32	43.1	10.13	40.1	9.92
	5.0	4.1	48.5	10.56	48.0	10.28	46.1	10.05	44.5	9.84	43.1	9.69	40.1	9.51
	7.0	6	48.5	9.99	48.0	9.72	46.1	9.53	44.5	9.35	43.1	9.26	40.1	9.10
	9.0	7.9	48.5	9.55	48.0	9.29	46.1	9.10	44.5	8.93	43.1	8.85	40.1	8.69
11.0	9.8	48.5	9.18	48.0	8.93	46.1	8.75	44.5	8.58	43.1	8.50	40.1	8.35	
13.0	11.8	48.5	8.78	48.0	8.55	46.1	8.38	44.5	8.22	43.1	8.14	40.1	7.99	
15.0	13.7	48.5	8.37	48.0	8.14	46.1	7.98	44.5	7.83	43.1	7.76	40.1	7.62	
110	-24.8	-25	23.6	12.19	23.6	12.48	23.5	12.76	23.5	13.20	23.5	13.51	23.4	13.66
	-21.8	-22	28.1	12.63	28.1	12.92	27.9	13.20	27.9	13.65	27.9	13.95	27.8	14.10
	-19.8	-20	29.2	12.92	29.2	13.22	29.1	13.50	29.1	13.94	29.1	14.25	28.9	14.40
	-18.8	-19	29.9	13.07	29.9	13.37	29.7	13.65	29.7	14.09	29.7	14.40	29.6	14.18
	-16.7	-17	31.4	13.38	31.4	13.67	31.2	13.95	31.2	14.40	31.2	13.94	31.0	13.71
	-13.7	-15	33.5	13.82	33.5	14.12	33.2	14.40	33.2	13.70	33.2	13.28	33.2	13.05
	-11.8	-13	34.6	14.10	34.6	14.40	34.3	13.90	34.3	13.26	34.3	12.87	34.3	12.64
	-9.8	-11	35.7	14.40	35.7	13.83	35.5	13.38	35.5	12.79	35.5	12.43	35.5	12.20
	-9.5	-10	36.0	14.30	36.0	13.75	35.8	13.30	35.8	12.72	35.8	12.37	35.8	12.13
	-8.5	-9.1	36.9	14.00	36.9	13.47	36.6	13.04	36.6	12.49	36.6	12.15	36.1	11.91
	-7.0	-7.6	38.2	13.54	38.2	13.04	38.0	12.65	38.0	12.14	38.0	11.82	36.1	11.58
	-5.0	-5.6	40.0	12.92	40.0	12.48	39.7	12.13	39.7	11.68	38.6	11.39	36.1	11.14
	-3.0	-3.7	41.7	12.31	41.7	11.92	41.3	11.60	40.0	11.21	38.6	10.95	36.1	10.70
	0.0	-0.7	44.4	11.39	44.0	11.07	41.3	10.82	40.0	10.51	38.6	10.30	36.1	10.04
	3.0	2.2	46.6	10.46	44.0	10.22	41.3	10.04	40.0	9.82	38.6	9.64	36.1	9.38
	5.0	4.1	46.6	9.85	44.0	9.66	41.3	9.52	40.0	9.35	38.6	9.21	36.1	8.94
	7.0	6	46.6	9.24	44.0	9.10	41.3	9.00	40.0	8.89	38.6	8.77	36.1	8.50
	9.0	7.9	46.6	8.79	44.0	8.66	41.3	8.56	40.0	8.45	38.6	8.35	36.1	8.09
11.0	9.8	46.6	8.41	44.0	8.28	41.3	8.19	40.0	8.09	38.6	7.99	36.1	7.74	
13.0	11.8	46.6	8.01	44.0	7.89	41.3	7.80	40.0	7.71	38.6	7.61	36.1	7.37	
15.0	13.7	46.6	7.59	44.0	7.47	41.3	7.39	40.0	7.30	38.6	7.21	36.1	6.98	

Notes:

1. TC: Total Capacity(kW) PI : Power Input(kW)(Comp. + Outdoor fan motor)
2. Capacity tables show the average value of conditions which may occur.
3. ■■■ is shown as reference. When selecting the outdoor units, avoid the outdoor air temperature range shown by ■■■ .

7. Capacity Tables

Heating Capacity(12HP)

Combination (%)	Outdoor air temp		Indoor air temp. °C DB											
			16		18		20		21		22		24	
	°C DB	°C WB	TC	PI	TC	PI	TC	PI	TC	PI	TC	PI	TC	PI
100	-24.8	-25	23.5	13.74	23.5	13.83	23.4	13.33	23.4	14.04	23.4	14.13	23.3	14.18
	-21.8	-22	27.9	13.87	27.9	13.96	27.8	13.75	27.8	14.17	27.8	14.48	27.6	14.31
	-19.8	-20	29.1	13.96	29.1	14.05	28.9	14.03	28.9	14.26	28.9	14.43	28.8	14.40
	-18.8	-19	29.8	14.00	29.6	14.09	29.6	14.17	29.6	14.31	29.6	14.40	29.5	14.14
	-16.7	-17	31.1	14.10	31.1	14.18	31.1	14.48	30.9	14.40	30.9	13.86	30.7	13.60
	-13.7	-15	33.3	14.23	33.3	14.31	33.1	14.40	33.1	13.60	33.1	13.09	33.0	12.83
	-11.8	-13	34.4	14.31	34.2	14.40	34.2	13.86	34.2	13.10	34.2	12.60	33.0	12.34
	-9.8	-11	35.5	14.40	35.5	13.79	35.4	13.29	35.4	12.58	35.4	12.09	33.0	11.82
	-9.5	-10	35.8	14.30	35.8	13.70	35.6	13.20	35.6	12.50	35.4	12.02	33.0	11.74
	-8.5	-9.1	36.7	13.97	36.7	13.39	36.5	12.92	36.6	12.23	35.4	11.76	33.0	11.49
	-7.0	-7.6	38.6	13.49	38.5	12.93	37.8	12.49	36.6	11.84	35.4	11.37	33.0	11.10
	-5.0	-5.6	40.3	12.84	39.9	12.32	37.8	11.92	36.6	11.31	35.4	10.86	33.0	10.58
	-3.0	-3.7	41.5	12.19	40.2	11.71	37.8	11.35	36.6	10.78	35.4	10.35	33.0	10.07
	0.0	-0.7	42.6	11.21	40.2	10.80	37.8	10.50	36.6	9.99	35.4	9.58	33.0	9.30
	3.0	2.2	42.6	10.24	40.2	9.88	37.8	9.65	36.6	9.20	35.4	8.81	33.0	8.52
	5.0	4.1	42.6	9.59	40.2	9.27	37.8	9.08	36.6	8.67	35.4	8.30	33.0	8.01
	7.0	6	42.6	8.94	40.2	8.66	37.8	8.51	36.6	8.14	35.4	7.79	33.0	7.49
	9.0	7.9	42.6	8.42	40.2	8.15	37.8	8.01	36.6	7.66	35.4	7.33	33.0	7.05
11.0	9.8	42.6	7.95	40.2	7.71	37.8	7.57	36.6	7.24	35.4	6.93	33.0	6.67	
13.0	11.8	42.6	7.47	40.2	7.24	37.8	7.11	36.6	6.80	35.4	6.51	33.0	6.26	
15.0	13.7	42.6	6.96	40.2	6.74	37.8	6.62	36.6	6.34	35.4	6.06	33.0	5.83	
90	-24.8	-25	23.4	12.10	23.4	12.54	23.3	12.85	23.3	12.99	23.3	13.29	23.2	13.73
	-21.8	-22	27.8	12.54	27.8	12.98	27.7	13.29	27.7	13.44	27.7	13.73	27.5	13.08
	-19.8	-20	29.0	12.83	29.0	13.27	28.8	13.58	28.8	13.73	28.8	13.28	28.7	12.64
	-18.8	-19	29.8	12.98	29.6	13.42	29.5	13.73	29.5	13.50	29.5	13.05	29.4	12.43
	-16.7	-17	31.1	13.29	31.1	13.73	30.9	13.24	30.9	13.00	30.9	12.58	30.1	11.97
	-13.7	-15	33.3	13.73	33.3	13.00	33.0	12.54	33.0	12.30	32.4	11.90	30.1	11.32
	-11.8	-13	34.4	13.22	34.2	12.53	34.1	12.10	33.5	11.85	32.4	11.47	30.1	10.90
	-9.8	-11	35.5	12.68	35.5	12.04	34.6	11.63	33.5	11.39	32.4	11.02	30.1	10.47
	-9.5	-10	35.8	12.60	35.8	11.97	34.6	11.56	33.5	11.31	32.4	10.95	30.1	10.40
	-8.5	-9.1	36.7	12.33	36.4	11.72	34.6	11.33	33.5	11.08	32.4	10.73	30.1	10.18
	-7.0	-7.6	38.6	11.93	36.7	11.35	34.6	10.98	33.5	10.73	32.4	10.39	30.1	9.86
	-5.0	-5.6	39.0	11.39	36.7	10.86	34.6	10.51	33.5	10.26	32.4	9.93	30.1	9.42
	-3.0	-3.7	39.0	10.86	36.7	10.37	34.6	10.04	33.5	9.79	32.4	9.48	30.1	8.99
	0.0	-0.7	39.0	10.05	36.7	9.64	34.6	9.34	33.5	9.09	32.4	8.80	30.1	8.33
	3.0	2.2	39.0	9.25	36.7	8.90	34.6	8.64	33.5	8.38	32.4	8.13	30.1	7.68
	5.0	4.1	39.0	8.71	36.7	8.41	34.6	8.17	33.5	7.91	32.4	7.67	30.1	7.25
	7.0	6	39.0	8.17	36.7	7.92	34.6	7.71	33.5	7.44	32.4	7.22	30.1	6.81
	9.0	7.9	39.0	7.68	36.7	7.44	34.6	7.24	33.5	6.99	32.4	6.79	30.1	6.40
11.0	9.8	39.0	7.18	36.7	6.96	34.6	6.77	33.5	6.54	32.4	6.35	30.1	5.99	
13.0	11.8	39.0	6.69	36.7	6.48	34.6	6.31	33.5	6.09	32.4	5.91	30.1	5.57	
15.0	13.7	39.0	6.19	36.7	6.00	34.6	5.84	33.5	5.64	32.4	5.47	30.1	5.16	
80	-24.8	-25	23.3	10.54	23.3	10.98	23.2	11.29	23.2	11.44	23.2	12.18	23.1	11.60
	-21.8	-22	27.5	10.98	27.5	11.42	27.5	11.73	27.5	12.18	27.5	11.60	26.9	11.05
	-19.8	-20	28.7	11.28	28.7	11.72	28.7	12.18	28.7	11.77	28.7	11.22	26.9	10.69
	-18.8	-19	29.4	11.42	29.4	12.18	29.4	11.97	29.4	11.56	28.9	11.03	26.9	10.51
	-16.7	-17	30.9	12.18	30.9	11.73	30.9	11.53	30.0	11.13	28.9	10.62	26.9	10.12
	-13.7	-15	30.9	11.52	30.9	11.10	30.9	10.90	30.0	10.52	28.9	10.05	26.9	9.58
	-11.8	-13	31.8	11.10	31.0	10.71	30.9	10.50	30.0	10.13	28.9	9.68	26.9	9.23
	-9.8	-11	33.1	10.66	32.2	10.29	30.9	10.08	30.0	9.72	28.9	9.30	26.9	8.87
	-9.5	-10	33.3	10.59	32.4	10.22	30.9	10.02	30.0	9.66	28.9	9.24	26.9	8.81
	-8.5	-9.1	34.0	10.37	33.0	10.01	30.9	9.81	30.0	9.46	28.9	9.05	26.9	8.63
	-7.0	-7.6	35.0	10.04	33.0	9.70	30.9	9.49	30.0	9.15	28.9	8.76	26.9	8.36
	-5.0	-5.6	35.0	9.60	33.0	9.28	30.9	9.07	30.0	8.74	28.9	8.38	26.9	7.99
	-3.0	-3.7	35.0	9.16	33.0	8.86	30.9	8.65	30.0	8.33	28.9	8.00	26.9	7.63
	0.0	-0.7	35.0	8.50	33.0	8.23	30.9	8.03	30.0	7.72	28.9	7.42	26.9	7.08
	3.0	2.2	35.0	7.84	33.0	7.60	30.9	7.40	30.0	7.10	28.9	6.85	26.9	6.53
	5.0	4.1	35.0	7.40	33.0	7.18	30.9	6.98	30.0	6.69	28.9	6.46	26.9	6.17
	7.0	6	35.0	6.96	33.0	6.76	30.9	6.56	30.0	6.29	28.9	6.08	26.9	5.80
	9.0	7.9	35.0	6.53	33.0	6.35	30.9	6.16	30.0	5.90	28.9	5.71	26.9	5.45
11.0	9.8	35.0	6.07	33.0	5.89	30.9	5.71	30.0	5.48	28.9	5.30	26.9	5.06	
13.0	11.8	35.0	5.66	33.0	5.50	30.9	5.34	30.0	5.11	28.9	4.95	26.9	4.72	
15.0	13.7	35.0	5.33	33.0	5.17	30.9	5.02	30.0	4.81	28.9	4.65	26.9	4.44	

Notes:

1. TC: Total Capacity(kW) PI : Power Input(kW)(Comp. + Outdoor fan motor)
2. Capacity tables show the average value of conditions which may occur.
3. ■■■ is shown as reference. When selecting the outdoor units, avoid the outdoor air temperature range shown by ■■■.

7. Capacity Tables

Heating Capacity(12HP)

Combination (%)	Outdoor air temp		Indoor air temp. °C DB											
			16		18		20		21		22		24	
	°C DB	°C WB	TC	PI	TC	PI	TC	PI	TC	PI	TC	PI	TC	PI
70	-24.8	-25	23.3	10.85	23.3	11.00	23.2	11.29	23.2	11.73	23.2	11.13	23.0	10.57
	-21.8	-22	26.5	11.29	26.5	11.44	26.3	11.73	25.4	11.13	24.7	10.57	23.0	10.04
	-19.8	-20	28.6	11.59	28.0	11.73	26.3	11.31	25.4	10.73	24.7	10.20	23.0	9.68
	-18.8	-19	29.4	11.73	28.0	11.51	26.3	11.10	25.4	10.53	24.7	10.01	23.0	9.50
	-16.7	-17	29.6	11.27	28.0	11.05	26.3	10.65	25.4	10.11	24.7	9.62	23.0	9.13
	-13.7	-15	29.6	10.61	28.0	10.39	26.3	10.01	25.4	9.51	24.7	9.06	23.0	8.59
	-11.8	-13	29.6	10.19	28.0	9.97	26.3	9.61	25.4	9.13	24.7	8.71	23.0	8.25
	-9.8	-11	29.6	9.75	28.0	9.53	26.3	9.19	25.4	8.73	24.7	8.34	23.0	7.89
	-9.5	-10	29.6	9.69	28.0	9.46	26.3	9.12	25.4	8.67	24.7	8.28	23.0	7.84
	-8.5	-9.1	29.6	9.47	28.0	9.24	26.3	8.91	25.4	8.47	24.7	8.09	23.0	7.66
	-7.0	-7.6	29.6	9.14	28.0	8.91	26.3	8.59	25.4	8.17	24.7	7.82	23.0	7.39
	-5.0	-5.6	29.6	8.70	28.0	8.47	26.3	8.17	25.4	7.77	24.7	7.44	23.0	7.04
	-3.0	-3.7	29.6	8.26	28.0	8.02	26.3	7.74	25.4	7.37	24.7	7.07	23.0	6.68
	0.0	-0.7	29.6	7.60	28.0	7.36	26.3	7.11	25.4	6.77	24.7	6.51	23.0	6.14
	3.0	2.2	29.6	6.94	28.0	6.70	26.3	6.47	25.4	6.17	24.7	5.95	23.0	5.61
	5.0	4.1	29.6	6.50	28.0	6.26	26.3	6.05	25.4	5.77	24.7	5.58	23.0	5.25
	7.0	6	29.6	6.06	28.0	5.82	26.3	5.62	25.4	5.37	24.7	5.21	23.0	4.89
	9.0	7.9	29.6	5.47	28.0	5.25	26.3	5.08	25.4	4.85	24.7	4.70	23.0	4.42
11.0	9.8	29.6	5.10	28.0	4.89	26.3	4.73	25.4	4.51	24.7	4.38	23.0	4.12	
13.0	11.8	29.6	4.77	28.0	4.58	26.3	4.42	25.4	4.22	24.7	4.09	23.0	3.85	
15.0	13.7	29.6	4.49	28.0	4.31	26.3	4.17	25.4	3.98	24.7	3.86	23.0	3.63	
60	-24.8	-25	22.7	10.56	22.7	10.85	22.6	11.29	21.8	10.68	21.1	10.11	19.7	9.57
	-21.8	-22	24.3	11.00	24.1	11.29	22.6	10.68	21.8	10.11	21.1	9.57	19.7	9.06
	-19.8	-20	25.4	11.29	24.1	10.86	22.6	10.27	21.8	9.73	21.1	9.21	19.7	8.71
	-18.8	-19	25.4	11.07	24.1	10.64	22.6	10.07	21.8	9.53	21.1	9.04	19.7	8.54
	-16.7	-17	25.4	10.61	24.1	10.18	22.6	9.64	21.8	9.13	21.1	8.66	19.7	8.18
	-13.7	-15	25.4	9.95	24.1	9.53	22.6	9.03	21.8	8.56	21.1	8.12	19.7	7.67
	-11.8	-13	25.4	9.53	24.1	9.12	22.6	8.64	21.8	8.20	21.1	7.78	19.7	7.34
	-9.8	-11	25.4	9.08	24.1	8.69	22.6	8.23	21.8	7.82	21.1	7.43	19.7	7.00
	-9.5	-10	25.4	9.02	24.1	8.62	22.6	8.17	21.8	7.76	21.1	7.37	19.7	6.95
	-8.5	-9.1	25.4	8.80	24.1	8.40	22.6	7.96	21.8	7.57	21.1	7.20	19.7	6.77
	-7.0	-7.6	25.4	8.47	24.1	8.08	22.6	7.66	21.8	7.28	21.1	6.93	19.7	6.52
	-5.0	-5.6	25.4	8.02	24.1	7.64	22.6	7.25	21.8	6.90	21.1	6.57	19.7	6.17
	-3.0	-3.7	25.4	7.58	24.1	7.21	22.6	6.84	21.8	6.52	21.1	6.21	19.7	5.83
	0.0	-0.7	25.4	6.92	24.1	6.56	22.6	6.23	21.8	5.95	21.1	5.68	19.7	5.32
	3.0	2.2	25.4	6.26	24.1	5.90	22.6	5.62	21.8	5.38	21.1	5.14	19.7	4.80
	5.0	4.1	25.4	5.82	24.1	5.47	22.6	5.21	21.8	5.00	21.1	4.78	19.7	4.46
	7.0	6	25.4	5.38	24.1	5.04	22.6	4.80	21.8	4.61	21.1	4.43	19.7	4.12
	9.0	7.9	25.4	4.80	24.1	4.49	22.6	4.28	21.8	4.12	21.1	3.95	19.7	3.67
11.0	9.8	25.4	4.48	24.1	4.20	22.6	4.00	21.8	3.84	21.1	3.69	19.7	3.43	
13.0	11.8	25.4	4.20	24.1	3.93	22.6	3.75	21.8	3.60	21.1	3.45	19.7	3.21	
15.0	13.7	25.4	3.97	24.1	3.71	22.6	3.54	21.8	3.40	21.1	3.26	19.7	3.04	
50	-24.8	-25	21.2	9.67	20.0	10.11	18.8	9.54	18.2	9.01	17.6	8.51	16.4	8.04
	-21.8	-22	21.2	10.11	20.0	9.54	18.8	9.01	18.2	8.51	17.6	8.04	16.4	7.60
	-19.8	-20	21.2	9.71	20.0	9.16	18.8	8.65	18.2	8.17	17.6	7.74	16.4	7.31
	-18.8	-19	21.2	9.51	20.0	8.97	18.8	8.48	18.2	8.01	17.6	7.58	16.4	7.16
	-16.7	-17	21.2	9.09	20.0	8.57	18.8	8.10	18.2	7.66	17.6	7.26	16.4	6.85
	-13.7	-15	21.2	8.48	20.0	8.00	18.8	7.57	18.2	7.16	17.6	6.79	16.4	6.41
	-11.8	-13	21.2	8.10	20.0	7.64	18.8	7.24	18.2	6.84	17.6	6.50	16.4	6.13
	-9.8	-11	21.2	7.70	20.0	7.26	18.8	6.88	18.2	6.51	17.6	6.19	16.4	5.83
	-9.5	-10	21.2	7.64	20.0	7.20	18.8	6.83	18.2	6.46	17.6	6.15	16.4	5.79
	-8.5	-9.1	21.2	7.44	20.0	7.01	18.8	6.65	18.2	6.29	17.6	5.99	16.4	5.64
	-7.0	-7.6	21.2	7.14	20.0	6.72	18.8	6.39	18.2	6.04	17.6	5.76	16.4	5.42
	-5.0	-5.6	21.2	6.74	20.0	6.34	18.8	6.03	18.2	5.71	17.6	5.45	16.4	5.13
	-3.0	-3.7	21.2	6.34	20.0	5.96	18.8	5.68	18.2	5.38	17.6	5.14	16.4	4.83
	0.0	-0.7	21.2	5.74	20.0	5.39	18.8	5.15	18.2	4.88	17.6	4.68	16.4	4.39
	3.0	2.2	21.2	5.14	20.0	4.82	18.8	4.62	18.2	4.38	17.6	4.22	16.4	3.95
	5.0	4.1	21.2	4.74	20.0	4.44	18.8	4.26	18.2	4.05	17.6	3.91	16.4	3.65
	7.0	6	21.2	4.34	20.0	4.06	18.8	3.91	18.2	3.72	17.6	3.60	16.4	3.36
	9.0	7.9	21.2	3.92	20.0	3.67	18.8	3.53	18.2	3.36	17.6	3.25	16.4	3.03
11.0	9.8	21.2	3.66	20.0	3.43	18.8	3.30	18.2	3.14	17.6	3.04	16.4	2.84	
13.0	11.8	21.2	3.44	20.0	3.22	18.8	3.10	18.2	2.95	17.6	2.86	16.4	2.66	
15.0	13.7	21.2	3.26	20.0	3.05	18.8	2.94	18.2	2.79	17.6	2.70	16.4	2.52	

Notes:

1. TC: Total Capacity(kW) PI : Power Input(kW)(Comp. + Outdoor fan motor)
2. Capacity tables show the average value of conditions which may occur.
3. ■■■■ is shown as reference. When selecting the outdoor units, avoid the outdoor air temperature range shown by ■■■■.

7. Capacity Tables

ARUB140LTE4

Heating Capacity(14HP)

Outdoor Units

Combination (%)	Outdoor air temp		Indoor air temp. °C DB											
			16		18		20		21		22		24	
	°C DB	°C WB	TC	PI	TC	PI	TC	PI	TC	PI	TC	PI	TC	PI
130	-24.8	-25	27.3	12.38	27.3	12.51	27.2	12.62	27.2	12.79	27.2	12.95	26.6	13.21
	-21.8	-22	33.3	12.64	33.3	12.77	33.0	12.88	33.0	13.05	33.0	13.21	32.4	13.47
	-19.8	-20	35.1	12.81	35.1	12.94	34.9	13.05	34.9	13.22	34.9	13.38	34.2	13.64
	-18.8	-19	35.9	12.89	35.9	13.02	35.7	13.13	35.7	13.30	35.7	13.47	35.0	13.72
	-16.7	-17	37.7	13.07	37.7	13.20	37.4	13.31	37.4	13.48	37.4	13.65	36.7	13.90
	-13.7	-15	40.1	13.33	40.1	13.46	39.9	13.57	39.9	13.74	39.9	13.90	39.1	13.39
	-11.8	-13	41.4	13.49	41.4	13.62	41.2	13.73	41.2	13.90	41.2	13.56	40.6	13.06
	-9.8	-11	42.8	13.66	42.8	13.79	42.5	13.90	42.5	13.54	42.5	13.19	42.2	12.72
	-9.5	-10	43.1	13.69	43.1	13.82	42.8	13.85	42.8	13.48	42.8	13.14	42.5	12.67
	-8.5	-9.1	43.9	13.77	43.9	13.90	43.6	13.66	43.6	13.30	43.4	12.96	43.3	12.50
	-7.0	-7.6	45.1	13.90	45.1	13.63	44.8	13.38	44.8	13.02	44.8	12.69	44.5	12.24
	-5.0	-5.6	46.8	13.55	46.8	13.27	46.5	13.01	46.5	12.66	46.5	12.33	46.1	11.90
	-3.0	-3.7	48.4	13.21	48.4	12.91	48.1	12.64	48.1	12.29	48.1	11.96	47.7	11.56
	0.0	-0.7	50.9	12.68	50.9	12.36	50.6	12.08	50.6	11.74	50.6	11.42	49.8	11.04
	3.0	2.2	53.4	12.16	53.4	11.82	53.0	11.52	53.0	11.19	53.0	10.88	49.8	10.53
	5.0	4.1	55.0	11.82	55.0	11.46	54.7	11.15	54.7	10.83	53.5	10.51	49.8	10.19
	7.0	6	56.7	11.47	56.7	11.10	56.3	10.78	55.4	10.46	53.5	10.15	49.8	9.85
	9.0	7.9	57.0	11.18	57.0	10.82	56.8	10.51	55.4	10.20	53.5	9.90	49.8	9.60
11.0	9.8	57.0	11.00	57.0	10.64	56.8	10.33	55.4	10.03	53.5	9.73	49.8	9.44	
13.0	11.8	57.0	10.79	57.0	10.45	56.8	10.14	55.4	9.85	53.5	9.55	49.8	9.27	
15.0	13.7	57.0	10.58	57.0	10.23	56.8	9.94	55.4	9.65	53.5	9.36	49.8	9.08	
120	-24.8	-25	27.1	12.51	27.1	12.62	27.0	12.79	27.0	12.95	27.0	13.21	26.4	13.39
	-21.8	-22	33.0	12.77	33.0	12.88	32.8	13.05	32.8	13.21	32.8	13.47	32.2	13.65
	-19.8	-20	34.8	12.94	34.8	13.05	34.6	13.22	34.6	13.38	34.6	13.64	33.9	13.82
	-18.8	-19	35.7	13.02	35.7	13.13	35.4	13.30	35.4	13.47	35.4	13.72	34.7	13.90
	-16.7	-17	37.4	13.20	37.4	13.31	37.2	13.48	37.2	13.65	37.2	13.90	36.4	13.57
	-13.7	-15	39.8	13.46	39.8	13.57	39.6	13.74	39.6	13.90	39.6	13.41	38.8	13.10
	-11.8	-13	41.1	13.62	41.1	13.73	40.9	13.90	40.9	13.55	40.9	13.10	40.3	12.80
	-9.8	-11	42.5	13.79	42.5	13.90	42.2	13.52	42.2	13.19	42.2	12.77	41.9	12.49
	-9.5	-10	42.8	13.82	42.8	13.84	42.5	13.46	42.5	13.13	42.5	12.72	42.2	12.44
	-8.5	-9.1	43.6	13.90	43.6	13.64	43.3	13.27	43.3	12.95	43.3	12.56	43.0	12.28
	-7.0	-7.6	44.8	13.60	44.8	13.34	44.5	12.99	44.5	12.68	44.5	12.31	44.2	12.05
	-5.0	-5.6	46.4	13.20	46.4	12.94	46.1	12.60	46.1	12.31	46.1	11.99	45.8	11.73
	-3.0	-3.7	48.1	12.81	48.1	12.53	47.8	12.22	47.8	11.95	47.8	11.66	46.8	11.42
	0.0	-0.7	50.5	12.21	50.5	11.93	50.2	11.65	50.2	11.40	50.2	11.17	46.8	10.94
	3.0	2.2	53.0	11.61	53.0	11.33	52.6	11.08	52.0	10.85	50.3	10.68	46.8	10.47
	5.0	4.1	54.6	11.21	54.6	10.92	53.7	10.70	52.0	10.48	50.3	10.35	46.8	10.16
	7.0	6	56.3	10.82	55.9	10.52	53.7	10.32	52.0	10.12	50.3	10.02	46.8	9.84
	9.0	7.9	56.5	10.52	55.9	10.23	53.7	10.03	52.0	9.84	50.3	9.75	46.8	9.57
11.0	9.8	56.5	10.32	55.9	10.04	53.7	9.84	52.0	9.65	50.3	9.56	46.8	9.39	
13.0	11.8	56.5	10.10	55.9	9.82	53.7	9.63	52.0	9.44	50.3	9.36	46.8	9.19	
15.0	13.7	56.5	9.86	55.9	9.59	53.7	9.40	52.0	9.22	50.3	9.14	46.8	8.97	
110	-24.8	-25	27.0	12.62	27.0	12.79	26.8	12.95	26.8	13.21	26.8	13.39	26.3	13.47
	-21.8	-22	32.8	12.88	32.8	13.05	32.6	13.21	32.6	13.47	32.6	13.65	32.0	13.73
	-19.8	-20	34.7	13.05	34.7	13.22	34.4	13.38	34.4	13.64	34.4	13.82	33.8	13.90
	-18.8	-19	35.5	13.13	35.5	13.30	35.2	13.47	35.2	13.72	35.2	13.90	34.6	13.73
	-16.7	-17	37.2	13.31	37.2	13.48	37.0	13.65	37.0	13.90	37.0	13.54	36.2	13.36
	-13.7	-15	39.6	13.57	39.6	13.74	39.4	13.90	39.4	13.36	39.4	13.03	39.4	12.83
	-11.8	-13	40.9	13.73	40.9	13.90	40.7	13.52	40.7	13.02	40.7	12.71	40.7	12.50
	-9.8	-11	42.3	13.90	42.3	13.47	42.0	13.12	42.0	12.65	42.0	12.36	42.0	12.15
	-9.5	-10	42.5	13.83	42.5	13.41	42.3	13.06	42.3	12.60	42.3	12.31	42.1	12.09
	-8.5	-9.1	43.3	13.60	43.3	13.19	43.1	12.85	43.1	12.42	43.1	12.14	42.1	11.92
	-7.0	-7.6	44.6	13.25	44.6	12.87	44.3	12.55	44.3	12.15	44.3	11.89	42.1	11.66
	-5.0	-5.6	46.2	12.79	46.2	12.43	45.9	12.15	45.9	11.79	45.1	11.54	42.1	11.31
	-3.0	-3.7	47.8	12.32	47.8	12.00	47.5	11.75	46.6	11.42	45.1	11.20	42.1	10.95
	0.0	-0.7	50.3	11.62	50.3	11.36	48.2	11.14	46.6	10.88	45.1	10.69	42.1	10.43
	3.0	2.2	52.7	10.93	51.4	10.71	48.2	10.54	46.6	10.34	45.1	10.18	42.1	9.90
	5.0	4.1	54.3	10.46	51.4	10.28	48.2	10.14	46.6	9.98	45.1	9.84	42.1	9.55
	7.0	6	54.4	10.00	51.4	9.85	48.2	9.73	46.6	9.62	45.1	9.49	42.1	9.20
	9.0	7.9	54.4	9.68	51.4	9.53	48.2	9.43	46.6	9.31	45.1	9.19	42.1	8.91
11.0	9.8	54.4	9.44	51.4	9.30	48.2	9.20	46.6	9.09	45.1	8.97	42.1	8.69	
13.0	11.8	54.4	9.19	51.4	9.06	48.2	8.95	46.6	8.84	45.1	8.73	42.1	8.46	
15.0	13.7	54.4	8.93	51.4	8.79	48.2	8.69	46.6	8.59	45.1	8.48	42.1	8.22	

Notes:

1. TC: Total Capacity(kW) PI : Power Input(kW)(Comp. + Outdoor fan motor)
2. Capacity tables show the average value of conditions which may occur.
3. ■■■ is shown as reference. When selecting the outdoor units, avoid the outdoor air temperature range shown by ■■■ .

7. Capacity Tables

Heating Capacity(14HP)

Combination (%)	Outdoor air temp		Indoor air temp. °C DB											
			16		18		20		21		22		24	
	°C DB	°C WB	TC	PI	TC	PI	TC	PI	TC	PI	TC	PI	TC	PI
100	-24.8	-25	26.9	13.90	26.9	13.90	26.7	13.14	26.7	13.90	26.7	13.90	26.2	13.90
	-21.8	-22	32.7	13.90	32.7	13.90	32.5	13.55	32.5	13.90	32.5	14.08	31.9	13.90
	-19.8	-20	34.5	13.90	34.5	13.90	34.3	13.82	34.3	13.90	34.3	13.96	33.6	13.90
	-18.8	-19	35.3	13.90	35.1	13.90	35.1	13.90	35.1	13.90	35.1	13.90	34.4	13.69
	-16.7	-17	36.8	13.90	36.8	13.90	36.8	14.08	36.6	13.90	36.6	13.46	35.9	13.23
	-13.7	-15	39.4	13.90	39.4	13.90	39.2	13.90	39.2	13.26	39.2	12.82	38.5	12.58
	-11.8	-13	40.7	13.90	40.5	13.90	40.5	13.47	40.5	12.85	40.5	12.42	38.5	12.17
	-9.8	-11	42.1	13.90	42.1	13.42	41.8	13.02	41.8	12.42	41.3	11.99	38.5	11.74
	-9.5	-10	42.3	13.83	42.3	13.35	42.1	12.95	42.1	12.36	41.3	11.93	38.5	11.67
	-8.5	-9.1	43.1	13.57	43.1	13.11	42.9	12.72	42.7	12.14	41.3	11.72	38.5	11.46
	-7.0	-7.6	45.1	13.20	44.9	12.75	44.1	12.38	42.7	11.82	41.3	11.40	38.5	11.13
	-5.0	-5.6	47.0	12.69	46.6	12.26	44.1	11.93	42.7	11.39	41.3	10.98	38.5	10.70
	-3.0	-3.7	48.4	12.19	46.9	11.78	44.1	11.48	42.7	10.96	41.3	10.55	38.5	10.27
	0.0	-0.7	49.7	11.44	46.9	11.06	44.1	10.80	42.7	10.31	41.3	9.91	38.5	9.62
	3.0	2.2	49.7	10.68	46.9	10.34	44.1	10.12	42.7	9.67	41.3	9.28	38.5	8.97
	5.0	4.1	49.7	10.18	46.9	9.85	44.1	9.66	42.7	9.24	41.3	8.85	38.5	8.54
	7.0	6	49.7	9.68	46.9	9.37	44.1	9.21	42.7	8.81	41.3	8.43	38.5	8.11
	9.0	7.9	49.7	9.30	46.9	9.01	44.1	8.85	42.7	8.47	41.3	8.11	38.5	7.80
11.0	9.8	49.7	9.01	46.9	8.73	44.1	8.57	42.7	8.20	41.3	7.85	38.5	7.55	
13.0	11.8	49.7	8.69	46.9	8.42	44.1	8.28	42.7	7.92	41.3	7.57	38.5	7.29	
15.0	13.7	49.7	8.36	46.9	8.10	44.1	7.96	42.7	7.61	41.3	7.29	38.5	7.01	
90	-24.8	-25	26.8	12.40	26.8	12.66	26.6	12.84	26.6	12.92	26.6	13.09	26.1	13.35
	-21.8	-22	32.6	12.66	32.6	12.92	32.4	13.09	32.4	13.18	32.4	13.35	31.7	12.79
	-19.8	-20	34.4	12.83	34.4	13.09	34.2	13.27	34.2	13.35	34.2	12.97	33.5	12.41
	-18.8	-19	35.3	12.92	35.1	13.17	35.0	13.35	35.0	13.15	35.0	12.77	34.3	12.22
	-16.7	-17	36.8	13.09	36.8	13.35	36.6	12.94	36.6	12.74	36.6	12.37	35.1	11.83
	-13.7	-15	39.4	13.35	39.4	12.75	39.1	12.36	39.1	12.15	37.8	11.79	35.1	11.26
	-11.8	-13	40.7	12.94	40.5	12.36	40.3	11.99	39.1	11.77	37.8	11.43	35.1	10.91
	-9.8	-11	42.1	12.50	42.1	11.96	40.4	11.60	39.1	11.38	37.8	11.05	35.1	10.53
	-9.5	-10	42.3	12.44	42.3	11.90	40.4	11.54	39.1	11.32	37.8	10.99	35.1	10.47
	-8.5	-9.1	43.1	12.22	42.8	11.70	40.4	11.35	39.1	11.12	37.8	10.80	35.1	10.29
	-7.0	-7.6	45.1	11.89	42.9	11.39	40.4	11.06	39.1	10.82	37.8	10.51	35.1	10.00
	-5.0	-5.6	45.6	11.46	42.9	10.99	40.4	10.67	39.1	10.43	37.8	10.12	35.1	9.63
	-3.0	-3.7	45.6	11.02	42.9	10.59	40.4	10.28	39.1	10.03	37.8	9.74	35.1	9.25
	0.0	-0.7	45.6	10.37	42.9	9.98	40.4	9.70	39.1	9.44	37.8	9.16	35.1	8.69
	3.0	2.2	45.6	9.71	42.9	9.38	40.4	9.12	39.1	8.85	37.8	8.59	35.1	8.12
	5.0	4.1	45.6	9.28	42.9	8.97	40.4	8.73	39.1	8.45	37.8	8.20	35.1	7.75
	7.0	6	45.6	8.84	42.9	8.57	40.4	8.34	39.1	8.06	37.8	7.82	35.1	7.37
	9.0	7.9	45.6	8.43	42.9	8.17	40.4	7.95	39.1	7.68	37.8	7.45	35.1	7.03
11.0	9.8	45.6	8.02	42.9	7.77	40.4	7.56	39.1	7.31	37.8	7.09	35.1	6.68	
13.0	11.8	45.6	7.61	42.9	7.37	40.4	7.18	39.1	6.93	37.8	6.73	35.1	6.34	
15.0	13.7	45.6	7.20	42.9	6.97	40.4	6.79	39.1	6.56	37.8	6.36	35.1	6.00	
80	-24.8	-25	26.7	10.89	26.7	11.15	26.5	11.33	26.5	11.41	26.5	11.84	26.0	11.34
	-21.8	-22	32.2	11.15	32.2	11.40	32.2	11.58	32.2	11.84	32.2	11.34	31.4	10.86
	-19.8	-20	34.0	11.32	34.0	11.57	34.0	11.84	34.0	11.49	33.7	11.01	31.4	10.55
	-18.8	-19	34.8	11.40	34.8	11.84	34.8	11.66	34.8	11.31	33.7	10.85	31.4	10.39
	-16.7	-17	36.1	11.84	36.1	11.47	36.1	11.29	35.0	10.95	33.7	10.50	31.4	10.05
	-13.7	-15	36.1	11.29	36.1	10.94	36.1	10.76	35.0	10.42	33.7	10.00	31.4	9.58
	-11.8	-13	37.0	10.95	36.1	10.61	36.1	10.42	35.0	10.09	33.7	9.69	31.4	9.27
	-9.8	-11	38.6	10.58	37.5	10.26	36.1	10.07	35.0	9.74	33.7	9.36	31.4	8.96
	-9.5	-10	38.8	10.53	37.7	10.21	36.1	10.02	35.0	9.69	33.7	9.31	31.4	8.91
	-8.5	-9.1	39.6	10.35	38.4	10.03	36.1	9.84	35.0	9.51	33.7	9.14	31.4	8.75
	-7.0	-7.6	40.8	10.08	38.4	9.77	36.1	9.57	35.0	9.25	33.7	8.89	31.4	8.51
	-5.0	-5.6	40.8	9.71	38.4	9.42	36.1	9.22	35.0	8.90	33.7	8.56	31.4	8.19
	-3.0	-3.7	40.8	9.35	38.4	9.07	36.1	8.87	35.0	8.55	33.7	8.23	31.4	7.87
	0.0	-0.7	40.8	8.80	38.4	8.54	36.1	8.34	35.0	8.03	33.7	7.74	31.4	7.40
	3.0	2.2	40.8	8.26	38.4	8.01	36.1	7.81	35.0	7.50	33.7	7.24	31.4	6.92
	5.0	4.1	40.8	7.90	38.4	7.66	36.1	7.45	35.0	7.15	33.7	6.91	31.4	6.60
	7.0	6	40.8	7.53	38.4	7.31	36.1	7.10	35.0	6.80	33.7	6.58	31.4	6.28
	9.0	7.9	40.8	7.07	38.4	6.87	36.1	6.66	35.0	6.39	33.7	6.18	31.4	5.90
11.0	9.8	40.8	6.56	38.4	6.37	36.1	6.19	35.0	5.93	33.7	5.73	31.4	5.47	
13.0	11.8	40.8	6.13	38.4	5.95	36.1	5.77	35.0	5.53	33.7	5.35	31.4	5.11	
15.0	13.7	40.8	5.77	38.4	5.60	36.1	5.44	35.0	5.21	33.7	5.04	31.4	4.81	

Notes:

1. TC: Total Capacity(kW) PI : Power Input(kW)(Comp. + Outdoor fan motor)
2. Capacity tables show the average value of conditions which may occur.
3. ■■■ is shown as reference. When selecting the outdoor units, avoid the outdoor air temperature range shown by ■■■ .

7. Capacity Tables

Heating Capacity(14HP)

Outdoor Units

Combination (%)	Outdoor air temp		Indoor air temp. °C DB											
			16		18		20		21		22		24	
	°C DB	°C WB	TC	PI	TC	PI	TC	PI	TC	PI	TC	PI	TC	PI
70	-24.8	-25	26.7	11.05	26.7	11.13	26.5	11.31	26.5	11.56	26.5	11.02	26.0	10.51
	-21.8	-22	30.9	11.31	30.9	11.39	30.7	11.56	29.7	11.02	28.8	10.51	26.9	10.02
	-19.8	-20	33.8	11.48	32.7	11.56	30.7	11.18	29.7	10.66	28.8	10.17	26.9	9.69
	-18.8	-19	34.6	11.56	32.7	11.36	30.7	10.99	29.7	10.48	28.8	10.00	26.9	9.53
	-16.7	-17	34.6	11.15	32.7	10.95	30.7	10.59	29.7	10.10	28.8	9.65	26.9	9.18
	-13.7	-15	34.6	10.57	32.7	10.36	30.7	10.02	29.7	9.55	28.8	9.14	26.9	8.69
	-11.8	-13	34.6	10.20	32.7	9.99	30.7	9.66	29.7	9.21	28.8	8.82	26.9	8.38
	-9.8	-11	34.6	9.82	32.7	9.60	30.7	9.28	29.7	8.85	28.8	8.48	26.9	8.05
	-9.5	-10	34.6	9.76	32.7	9.54	30.7	9.22	29.7	8.79	28.8	8.43	26.9	8.00
	-8.5	-9.1	34.6	9.56	32.7	9.34	30.7	9.03	29.7	8.61	28.8	8.26	26.9	7.84
	-7.0	-7.6	34.6	9.27	32.7	9.05	30.7	8.75	29.7	8.34	28.8	8.00	26.9	7.59
	-5.0	-5.6	34.6	8.89	32.7	8.65	30.7	8.37	29.7	7.98	28.8	7.67	26.9	7.26
	-3.0	-3.7	34.6	8.50	32.7	8.26	30.7	7.99	29.7	7.62	28.8	7.33	26.9	6.94
	0.0	-0.7	34.6	7.92	32.7	7.67	30.7	7.42	29.7	7.08	28.8	6.82	26.9	6.44
	3.0	2.2	34.6	7.33	32.7	7.08	30.7	6.85	29.7	6.53	28.8	6.31	26.9	5.95
	5.0	4.1	34.6	6.95	32.7	6.69	30.7	6.46	29.7	6.17	28.8	5.97	26.9	5.62
	7.0	6	34.6	6.56	32.7	6.30	30.7	6.08	29.7	5.81	28.8	5.63	26.9	5.30
9.0	7.9	34.6	5.92	32.7	5.68	30.7	5.49	29.7	5.25	28.8	5.09	26.9	4.78	
11.0	9.8	34.6	5.51	32.7	5.29	30.7	5.12	29.7	4.88	28.8	4.74	26.9	4.45	
13.0	11.8	34.6	5.16	32.7	4.95	30.7	4.79	29.7	4.57	28.8	4.43	26.9	4.17	
15.0	13.7	34.6	4.86	32.7	4.67	30.7	4.51	29.7	4.31	28.8	4.18	26.9	3.93	
60	-24.8	-25	26.5	10.88	26.5	11.05	26.3	11.31	25.5	10.73	24.6	10.19	23.0	9.68
	-21.8	-22	28.4	11.13	28.1	11.31	26.3	10.73	25.5	10.19	24.6	9.68	23.0	9.19
	-19.8	-20	29.7	11.31	28.1	10.90	26.3	10.34	25.5	9.83	24.6	9.34	23.0	8.86
	-18.8	-19	29.7	11.10	28.1	10.70	26.3	10.15	25.5	9.65	24.6	9.17	23.0	8.69
	-16.7	-17	29.7	10.67	28.1	10.27	26.3	9.75	25.5	9.27	24.6	8.81	23.0	8.35
	-13.7	-15	29.7	10.06	28.1	9.66	26.3	9.17	25.5	8.73	24.6	8.30	23.0	7.85
	-11.8	-13	29.7	9.67	28.1	9.27	26.3	8.81	25.5	8.38	24.6	7.98	23.0	7.54
	-9.8	-11	29.7	9.26	28.1	8.87	26.3	8.42	25.5	8.02	24.6	7.64	23.0	7.21
	-9.5	-10	29.7	9.20	28.1	8.80	26.3	8.37	25.5	7.97	24.6	7.59	23.0	7.16
	-8.5	-9.1	29.7	8.99	28.1	8.60	26.3	8.17	25.5	7.79	24.6	7.42	23.0	7.00
	-7.0	-7.6	29.7	8.68	28.1	8.30	26.3	7.89	25.5	7.52	24.6	7.17	23.0	6.75
	-5.0	-5.6	29.7	8.28	28.1	7.89	26.3	7.50	25.5	7.16	24.6	6.83	23.0	6.43
	-3.0	-3.7	29.7	7.87	28.1	7.48	26.3	7.12	25.5	6.80	24.6	6.49	23.0	6.10
	0.0	-0.7	29.7	7.25	28.1	6.87	26.3	6.54	25.5	6.26	24.6	5.98	23.0	5.60
	3.0	2.2	29.7	6.64	28.1	6.26	26.3	5.96	25.5	5.71	24.6	5.47	23.0	5.11
	5.0	4.1	29.7	6.23	28.1	5.86	26.3	5.58	25.5	5.35	24.6	5.13	23.0	4.78
	7.0	6	29.7	5.82	28.1	5.45	26.3	5.20	25.5	4.99	24.6	4.79	23.0	4.45
9.0	7.9	29.7	5.19	28.1	4.86	26.3	4.64	25.5	4.46	24.6	4.27	23.0	3.97	
11.0	9.8	29.7	4.85	28.1	4.54	26.3	4.33	25.5	4.16	24.6	3.99	23.0	3.71	
13.0	11.8	29.7	4.54	28.1	4.25	26.3	4.05	25.5	3.90	24.6	3.74	23.0	3.48	
15.0	13.7	29.7	4.29	28.1	4.02	26.3	3.83	25.5	3.68	24.6	3.53	23.0	3.29	
50	-24.8	-25	24.8	9.57	23.4	9.83	21.9	9.32	21.2	8.84	20.5	8.38	19.1	7.96
	-21.8	-22	24.8	9.83	23.4	9.32	21.9	8.84	21.2	8.38	20.5	7.96	19.1	7.55
	-19.8	-20	24.8	9.47	23.4	8.97	21.9	8.52	21.2	8.08	20.5	7.68	19.1	7.28
	-18.8	-19	24.8	9.29	23.4	8.80	21.9	8.36	21.2	7.93	20.5	7.54	19.1	7.14
	-16.7	-17	24.8	8.92	23.4	8.44	21.9	8.02	21.2	7.61	20.5	7.24	19.1	6.86
	-13.7	-15	24.8	8.38	23.4	7.93	21.9	7.54	21.2	7.16	20.5	6.82	19.1	6.45
	-11.8	-13	24.8	8.04	23.4	7.61	21.9	7.24	21.2	6.87	20.5	6.55	19.1	6.19
	-9.8	-11	24.8	7.69	23.4	7.26	21.9	6.92	21.2	6.56	20.5	6.27	19.1	5.92
	-9.5	-10	24.8	7.63	23.4	7.21	21.9	6.87	21.2	6.52	20.5	6.22	19.1	5.88
	-8.5	-9.1	24.8	7.46	23.4	7.04	21.9	6.71	21.2	6.37	20.5	6.08	19.1	5.74
	-7.0	-7.6	24.8	7.19	23.4	6.79	21.9	6.47	21.2	6.14	20.5	5.87	19.1	5.54
	-5.0	-5.6	24.8	6.83	23.4	6.44	21.9	6.15	21.2	5.84	20.5	5.59	19.1	5.27
	-3.0	-3.7	24.8	6.48	23.4	6.10	21.9	5.83	21.2	5.54	20.5	5.31	19.1	4.99
	0.0	-0.7	24.8	5.94	23.4	5.59	21.9	5.35	21.2	5.08	20.5	4.88	19.1	4.59
	3.0	2.2	24.8	5.41	23.4	5.08	21.9	4.87	21.2	4.63	20.5	4.46	19.1	4.18
	5.0	4.1	24.8	5.05	23.4	4.74	21.9	4.55	21.2	4.32	20.5	4.18	19.1	3.91
	7.0	6	24.8	4.69	23.4	4.39	21.9	4.23	21.2	4.02	20.5	3.90	19.1	3.64
9.0	7.9	24.8	4.24	23.4	3.97	21.9	3.82	21.2	3.63	20.5	3.52	19.1	3.28	
11.0	9.8	24.8	3.97	23.4	3.71	21.9	3.58	21.2	3.40	20.5	3.29	19.1	3.07	
13.0	11.8	24.8	3.72	23.4	3.49	21.9	3.36	21.2	3.19	20.5	3.09	19.1	2.88	
15.0	13.7	24.8	3.52	23.4	3.30	21.9	3.18	21.2	3.02	20.5	2.93	19.1	2.73	

Notes:

1. TC: Total Capacity(kW) PI : Power Input(kW)(Comp. + Outdoor fan motor)
2. Capacity tables show the average value of conditions which may occur.
3. ■■■ is shown as reference. When selecting the outdoor units, avoid the outdoor air temperature range shown by ■■■ .

7. Capacity Tables

ARUB160LTE4

Heating Capacity(16HP)

Combination (%)	Outdoor air temp		Indoor air temp. °C DB											
			16		18		20		21		22		24	
	°C DB	°C WB	TC	PI	TC	PI	TC	PI	TC	PI	TC	PI	TC	PI
130	-24.8	-25	28.5	13.50	28.5	13.75	28.3	13.97	28.3	14.31	28.3	14.62	28.3	15.13
	-21.8	-22	34.9	14.00	34.9	14.26	34.7	14.47	34.7	14.81	34.7	15.13	34.7	15.63
	-19.8	-20	37.0	14.34	37.0	14.59	36.8	14.81	36.8	15.14	36.8	15.46	36.8	15.96
	-18.8	-19	38.0	14.51	38.0	14.76	37.8	14.98	37.8	15.31	37.8	15.63	37.8	16.13
	-16.7	-17	40.0	14.86	40.0	15.11	39.8	15.33	39.8	15.66	39.8	15.98	39.8	16.48
	-13.7	-15	42.9	15.36	42.9	15.61	42.6	15.83	42.6	16.17	42.6	16.48	42.6	15.93
	-11.8	-13	44.3	15.68	44.3	15.93	44.1	16.15	44.1	16.48	44.1	16.11	44.1	15.57
	-9.8	-11	45.9	16.01	45.9	16.27	45.6	16.48	45.6	16.10	45.6	15.72	45.6	15.20
	-9.5	-10	46.5	16.06	46.5	16.32	46.2	16.43	46.2	16.04	45.8	15.67	45.8	15.15
	-8.5	-9.1	48.3	16.23	48.3	16.48	48.0	16.23	48.0	15.84	46.6	15.47	46.6	14.96
	-7.0	-7.6	51.2	16.48	51.2	16.21	50.8	15.94	50.8	15.55	50.8	15.18	49.0	14.68
	-5.0	-5.6	54.9	16.14	54.9	15.84	54.6	15.55	54.6	15.16	54.6	14.79	50.9	14.31
	-3.0	-3.7	58.7	15.79	58.7	15.47	58.3	15.16	58.3	14.78	58.3	14.40	52.8	13.94
	0.0	-0.7	64.3	15.28	64.3	14.91	63.9	14.58	62.8	14.19	60.6	13.82	55.6	13.38
	3.0	2.2	64.6	14.76	64.6	14.36	64.4	14.00	62.8	13.61	60.6	13.23	56.4	12.82
	5.0	4.1	64.6	14.42	64.6	13.99	64.4	13.61	62.8	13.22	60.6	12.84	56.4	12.45
	7.0	6	64.6	14.07	64.6	13.62	64.4	13.22	62.8	12.84	60.6	12.45	56.4	12.08
9.0	7.9	64.6	13.79	64.6	13.35	64.4	12.96	62.8	12.58	60.6	12.21	56.4	11.84	
11.0	9.8	64.6	13.64	64.6	13.20	64.4	12.82	62.8	12.44	60.6	12.07	56.4	11.71	
13.0	11.8	64.6	13.47	64.6	13.04	64.4	12.66	62.8	12.29	60.6	11.92	56.4	11.57	
15.0	13.7	64.6	13.29	64.6	12.86	64.4	12.48	62.8	12.12	60.6	11.76	56.4	11.41	
120	-24.8	-25	28.3	13.75	28.3	13.97	28.1	14.31	28.1	14.62	28.1	15.13	28.1	15.48
	-21.8	-22	34.7	14.26	34.7	14.47	34.5	14.81	34.5	15.13	34.5	15.63	34.5	15.98
	-19.8	-20	36.8	14.59	36.8	14.81	36.5	15.14	36.5	15.46	36.5	15.96	36.5	16.32
	-18.8	-19	37.7	14.76	37.7	14.98	37.5	15.31	37.5	15.63	37.5	16.13	37.5	16.48
	-16.7	-17	39.7	15.11	39.7	15.33	39.5	15.66	39.5	15.98	39.5	16.48	39.5	16.12
	-13.7	-15	42.6	15.61	42.6	15.83	42.3	16.17	42.3	16.48	42.3	15.95	42.3	15.61
	-11.8	-13	44.0	15.93	44.0	16.15	43.8	16.48	43.8	16.11	43.8	15.62	43.8	15.29
	-9.8	-11	45.6	16.27	45.6	16.48	45.3	16.08	45.3	15.72	45.3	15.26	45.3	14.95
	-9.5	-10	46.1	16.32	46.1	16.42	45.8	16.02	45.8	15.66	45.8	15.21	45.8	14.90
	-8.5	-9.1	48.0	16.48	48.0	16.21	47.7	15.81	47.7	15.46	47.2	15.03	47.2	14.72
	-7.0	-7.6	50.8	16.17	50.8	15.89	50.5	15.51	50.5	15.17	48.6	14.77	48.6	14.47
	-5.0	-5.6	54.5	15.76	54.5	15.46	54.2	15.10	54.2	14.77	54.2	14.42	50.5	14.13
	-3.0	-3.7	58.3	15.34	58.3	15.04	57.9	14.69	57.9	14.38	57.1	14.06	52.4	13.79
	0.0	-0.7	63.9	14.72	63.4	14.40	60.9	14.08	58.9	13.79	57.1	13.53	53.0	13.27
	3.0	2.2	64.1	14.10	63.4	13.76	60.9	13.47	58.9	13.20	57.1	13.00	53.0	12.76
	5.0	4.1	64.1	13.68	63.4	13.34	60.9	13.06	58.9	12.81	57.1	12.65	53.0	12.42
	7.0	6	64.1	13.27	63.4	12.91	60.9	12.66	58.9	12.41	57.1	12.30	53.0	12.08
9.0	7.9	64.1	12.97	63.4	12.62	60.9	12.37	58.9	12.13	57.1	12.02	53.0	11.81	
11.0	9.8	64.1	12.79	63.4	12.44	60.9	12.20	58.9	11.96	57.1	11.85	53.0	11.64	
13.0	11.8	64.1	12.59	63.4	12.25	60.9	12.01	58.9	11.78	57.1	11.67	53.0	11.46	
15.0	13.7	64.1	12.37	63.4	12.04	60.9	11.80	58.9	11.57	57.1	11.46	53.0	11.26	
110	-24.8	-25	28.1	13.97	28.1	14.31	27.9	14.62	27.9	15.13	27.9	15.48	27.9	15.65
	-21.8	-22	34.5	14.47	34.5	14.81	34.3	15.13	34.3	15.63	34.3	15.98	34.3	16.15
	-19.8	-20	36.6	14.81	36.6	15.14	36.3	15.46	36.3	15.96	36.3	16.32	36.3	16.48
	-18.8	-19	37.5	14.98	37.5	15.31	37.3	15.63	37.3	16.13	37.3	16.48	37.3	16.29
	-16.7	-17	39.5	15.33	39.5	15.66	39.3	15.98	39.3	16.48	39.3	16.09	39.3	15.88
	-13.7	-15	42.3	15.83	42.3	16.17	42.1	16.48	42.1	15.89	42.1	15.53	42.1	15.30
	-11.8	-13	43.8	16.15	43.8	16.48	43.5	16.07	43.5	15.52	43.5	15.17	43.5	14.93
	-9.8	-11	45.3	16.48	45.3	16.02	45.0	15.63	45.0	15.12	45.0	14.80	45.0	14.54
	-9.5	-10	45.9	16.41	45.9	15.94	45.6	15.56	45.6	15.06	45.6	14.74	45.6	14.49
	-8.5	-9.1	47.7	16.16	47.7	15.71	47.4	15.34	47.4	14.86	47.2	14.55	47.2	14.29
	-7.0	-7.6	50.5	15.78	50.5	15.36	50.2	15.01	50.2	14.57	48.7	14.27	47.7	14.00
	-5.0	-5.6	54.2	15.28	54.2	14.89	53.9	14.58	52.9	14.17	50.2	13.90	47.7	13.61
	-3.0	-3.7	58.0	14.78	58.0	14.42	54.7	14.14	52.9	13.78	51.1	13.52	47.7	13.23
	0.0	-0.7	61.6	14.02	58.3	13.72	54.7	13.48	52.9	13.18	51.1	12.96	47.7	12.64
	3.0	2.2	61.6	13.27	58.3	13.02	54.7	12.82	52.9	12.59	51.1	12.40	47.7	12.06
	5.0	4.1	61.6	12.77	58.3	12.55	54.7	12.38	52.9	12.19	51.1	12.02	47.7	11.68
	7.0	6	61.6	12.26	58.3	12.08	54.7	11.94	52.9	11.80	51.1	11.65	47.7	11.29
9.0	7.9	61.6	11.93	58.3	11.75	54.7	11.62	52.9	11.48	51.1	11.33	47.7	10.98	
11.0	9.8	61.6	11.70	58.3	11.53	54.7	11.40	52.9	11.26	51.1	11.12	47.7	10.77	
13.0	11.8	61.6	11.46	58.3	11.29	54.7	11.16	52.9	11.02	51.1	10.88	47.7	10.55	
15.0	13.7	61.6	11.20	58.3	11.03	54.7	10.90	52.9	10.77	51.1	10.63	47.7	10.30	

Outdoor Units

Notes:

1. TC: Total Capacity(kW) PI : Power Input(kW)(Comp. + Outdoor fan motor)
2. Capacity tables show the average value of conditions which may occur.
3. ■■■ is shown as reference. When selecting the outdoor units, avoid the outdoor air temperature range shown by ■■■ .

7. Capacity Tables

Heating Capacity(16HP)

Combination (%)	Outdoor air temp		Indoor air temp. °C DB											
			16		18		20		21		22		24	
	°C DB	°C WB	TC	PI	TC	PI	TC	PI	TC	PI	TC	PI	TC	PI
100	-24.8	-25	28.0	15.40	28.0	15.54	27.8	15.15	27.8	15.90	27.8	16.05	27.8	16.12
	-21.8	-22	34.4	15.62	34.4	15.76	34.2	15.63	34.2	16.12	34.2	16.47	34.2	16.34
	-19.8	-20	36.4	15.76	36.4	15.91	36.2	15.95	36.2	16.26	36.2	16.48	36.2	16.48
	-18.8	-19	37.4	15.83	37.1	15.98	37.1	16.12	37.1	16.33	37.1	16.48	37.1	16.24
	-16.7	-17	39.1	15.99	39.1	16.13	39.1	16.47	38.9	16.48	38.9	15.98	38.9	15.73
	-13.7	-15	42.1	16.20	42.1	16.35	41.9	16.48	41.9	15.77	41.9	15.27	41.9	15.00
	-11.8	-13	43.6	16.34	43.3	16.48	43.3	16.01	43.3	15.31	43.3	14.82	43.3	14.53
	-9.8	-11	45.1	16.48	45.1	15.95	44.8	15.51	44.8	14.83	44.8	14.34	43.6	14.04
	-9.5	-10	45.6	16.40	45.6	15.87	45.4	15.43	45.4	14.76	45.4	14.27	43.6	13.97
	-8.5	-9.1	47.5	16.13	47.5	15.61	47.2	15.18	48.4	14.52	46.8	14.03	43.6	13.73
	-7.0	-7.6	51.1	15.72	50.9	15.21	50.0	14.81	48.4	14.16	46.8	13.68	43.6	13.36
	-5.0	-5.6	53.3	15.17	52.8	14.68	50.0	14.31	48.4	13.68	46.8	13.20	43.6	12.87
	-3.0	-3.7	54.9	14.62	53.2	14.15	50.0	13.80	48.4	13.20	46.8	12.72	43.6	12.39
	0.0	-0.7	56.4	13.79	53.2	13.36	50.0	13.05	48.4	12.49	46.8	12.01	43.6	11.65
	3.0	2.2	56.4	12.97	53.2	12.56	50.0	12.30	48.4	11.77	46.8	11.30	43.6	10.92
	5.0	4.1	56.4	12.42	53.2	12.03	50.0	11.80	48.4	11.29	46.8	10.82	43.6	10.44
	7.0	6	56.4	11.87	53.2	11.50	50.0	11.30	48.4	10.81	46.8	10.34	43.6	9.95
	9.0	7.9	56.4	11.44	53.2	11.08	50.0	10.89	48.4	10.42	46.8	9.97	43.6	9.58
11.0	9.8	56.4	11.10	53.2	10.75	50.0	10.57	48.4	10.11	46.8	9.67	43.6	9.30	
13.0	11.8	56.4	10.75	53.2	10.41	50.0	10.23	48.4	9.78	46.8	9.36	43.6	9.00	
15.0	13.7	56.4	10.37	53.2	10.04	50.0	9.87	48.4	9.44	46.8	9.03	43.6	8.68	
90	-24.8	-25	27.9	13.75	27.9	14.25	27.7	14.61	27.7	14.77	27.7	15.11	27.7	15.61
	-21.8	-22	34.2	14.25	34.2	14.76	34.0	15.11	34.0	15.28	34.0	15.61	34.0	14.99
	-19.8	-20	36.3	14.59	36.3	15.09	36.0	15.44	36.0	15.61	36.0	15.19	36.0	14.58
	-18.8	-19	37.4	14.76	37.1	15.26	37.0	15.61	37.0	15.40	37.0	14.98	37.0	14.37
	-16.7	-17	39.1	15.11	39.1	15.61	38.9	15.17	38.9	14.95	38.9	14.55	38.9	13.94
	-13.7	-15	42.1	15.61	42.1	14.97	41.7	14.55	41.7	14.31	41.7	13.92	39.9	13.32
	-11.8	-13	43.6	15.17	43.3	14.56	43.2	14.15	43.2	13.90	42.9	13.52	39.9	12.93
	-9.8	-11	45.1	14.71	45.1	14.13	44.7	13.74	44.3	13.47	42.9	13.10	39.9	12.51
	-9.5	-10	45.6	14.65	45.6	14.06	45.2	13.67	44.3	13.41	42.9	13.04	39.9	12.45
	-8.5	-9.1	47.5	14.42	47.2	13.85	45.7	13.46	44.3	13.20	42.9	12.83	39.9	12.25
	-7.0	-7.6	51.1	14.07	48.6	13.53	45.7	13.15	44.3	12.88	42.9	12.52	39.9	11.94
	-5.0	-5.6	51.6	13.61	48.6	13.10	45.7	12.74	44.3	12.45	42.9	12.10	39.9	11.52
	-3.0	-3.7	51.6	13.15	48.6	12.67	45.7	12.32	44.3	12.02	42.9	11.68	39.9	11.11
	0.0	-0.7	51.6	12.46	48.6	12.02	45.7	11.69	44.3	11.38	42.9	11.05	39.9	10.49
	3.0	2.2	51.6	11.77	48.6	11.38	45.7	11.07	44.3	10.74	42.9	10.43	39.9	9.87
	5.0	4.1	51.6	11.31	48.6	10.95	45.7	10.65	44.3	10.31	42.9	10.01	39.9	9.46
	7.0	6	51.6	10.85	48.6	10.52	45.7	10.23	44.3	9.88	42.9	9.59	39.9	9.04
	9.0	7.9	51.6	10.41	48.6	10.09	45.7	9.82	44.3	9.48	42.9	9.20	39.9	8.68
11.0	9.8	51.6	9.97	48.6	9.66	45.7	9.40	44.3	9.08	42.9	8.81	39.9	8.31	
13.0	11.8	51.6	9.52	48.6	9.23	45.7	8.98	44.3	8.68	42.9	8.42	39.9	7.94	
15.0	13.7	51.6	9.08	48.6	8.80	45.7	8.57	44.3	8.27	42.9	8.03	39.9	7.57	
80	-24.8	-25	27.8	11.98	27.8	12.49	27.6	12.84	27.6	13.01	27.6	13.84	27.6	13.30
	-21.8	-22	33.9	12.49	33.9	12.99	33.9	13.34	33.9	13.84	33.9	13.30	33.9	12.77
	-19.8	-20	35.9	12.82	35.9	13.32	35.9	13.84	35.9	13.46	35.9	12.94	35.6	12.42
	-18.8	-19	36.8	12.99	36.8	13.84	36.8	13.65	36.8	13.27	36.8	12.75	35.6	12.24
	-16.7	-17	38.9	13.84	38.9	13.45	38.9	13.25	38.9	12.87	38.3	12.37	35.6	11.87
	-13.7	-15	40.9	13.26	40.9	12.88	40.9	12.67	39.7	12.30	38.3	11.83	35.6	11.35
	-11.8	-13	41.3	12.89	40.9	12.52	40.9	12.31	39.7	11.93	38.3	11.48	35.6	11.01
	-9.8	-11	43.3	12.50	42.3	12.14	40.9	11.93	39.7	11.55	38.3	11.12	35.6	10.66
	-9.5	-10	43.7	12.45	42.6	12.09	40.9	11.87	39.7	11.50	38.3	11.07	35.6	10.61
	-8.5	-9.1	44.7	12.25	43.6	11.90	40.9	11.68	39.7	11.30	38.3	10.88	35.6	10.43
	-7.0	-7.6	46.2	11.96	43.6	11.62	40.9	11.39	39.7	11.02	38.3	10.61	35.6	10.17
	-5.0	-5.6	46.2	11.57	43.6	11.24	40.9	11.01	39.7	10.64	38.3	10.25	35.6	9.82
	-3.0	-3.7	46.2	11.18	43.6	10.86	40.9	10.62	39.7	10.25	38.3	9.89	35.6	9.47
	0.0	-0.7	46.2	10.60	43.6	10.29	40.9	10.05	39.7	9.68	38.3	9.34	35.6	8.94
	3.0	2.2	46.2	10.02	43.6	9.73	40.9	9.47	39.7	9.11	38.3	8.80	35.6	8.41
	5.0	4.1	46.2	9.63	43.6	9.35	40.9	9.09	39.7	8.73	38.3	8.43	35.6	8.06
	7.0	6	46.2	9.24	43.6	8.97	40.9	8.71	39.7	8.35	38.3	8.07	35.6	7.71
	9.0	7.9	46.2	8.68	43.6	8.43	40.9	8.18	39.7	7.84	38.3	7.58	35.6	7.24
11.0	9.8	46.2	8.05	43.6	7.82	40.9	7.59	39.7	7.27	38.3	7.03	35.6	6.72	
13.0	11.8	46.2	7.52	43.6	7.30	40.9	7.08	39.7	6.79	38.3	6.57	35.6	6.27	
15.0	13.7	46.2	7.08	43.6	6.87	40.9	6.67	39.7	6.39	38.3	6.18	35.6	5.90	

Notes:

1. TC: Total Capacity(kW) PI : Power Input(kW)(Comp. + Outdoor fan motor)
2. Capacity tables show the average value of conditions which may occur.
3. ■■■ is shown as reference. When selecting the outdoor units, avoid the outdoor air temperature range shown by ■■■ .

7. Capacity Tables

Heating Capacity(16HP)

Combination (%)	Outdoor air temp		Indoor air temp. °C DB											
			16		18		20		21		22		24	
	°C DB	°C WB	TC	PI	TC	PI	TC	PI	TC	PI	TC	PI	TC	PI
70	-24.8	-25	27.8	12.34	27.8	12.50	27.6	12.84	27.6	13.34	27.6	12.75	27.6	12.20
	-21.8	-22	33.9	12.84	34.1	13.01	33.9	13.34	33.6	12.75	32.6	12.20	30.5	11.67
	-19.8	-20	35.9	13.17	35.9	13.34	34.8	12.93	33.6	12.36	32.6	11.84	30.5	11.31
	-18.8	-19	36.8	13.34	36.8	13.13	34.8	12.73	33.6	12.17	32.6	11.65	30.5	11.13
	-16.7	-17	38.9	12.91	37.0	12.69	34.8	12.30	33.6	11.76	32.6	11.27	30.5	10.75
	-13.7	-15	39.2	12.29	37.0	12.06	34.8	11.69	33.6	11.17	32.6	10.72	30.5	10.21
	-11.8	-13	39.2	11.90	37.0	11.66	34.8	11.30	33.6	10.80	32.6	10.37	30.5	9.87
	-9.8	-11	39.2	11.49	37.0	11.24	34.8	10.89	33.6	10.41	32.6	10.00	30.5	9.51
	-9.5	-10	39.2	11.43	37.0	11.18	34.8	10.83	33.6	10.35	32.6	9.94	30.5	9.46
	-8.5	-9.1	39.2	11.23	37.0	10.97	34.8	10.63	33.6	10.16	32.6	9.76	30.5	9.28
	-7.0	-7.6	39.2	10.92	37.0	10.66	34.8	10.32	33.6	9.86	32.6	9.48	30.5	9.01
	-5.0	-5.6	39.2	10.51	37.0	10.24	34.8	9.91	33.6	9.47	32.6	9.12	30.5	8.65
	-3.0	-3.7	39.2	10.10	37.0	9.82	34.8	9.51	33.6	9.08	32.6	8.75	30.5	8.29
	0.0	-0.7	39.2	9.48	37.0	9.19	34.8	8.89	33.6	8.50	32.6	8.20	30.5	7.75
	3.0	2.2	39.2	8.87	37.0	8.56	34.8	8.28	33.6	7.91	32.6	7.65	30.5	7.22
	5.0	4.1	39.2	8.46	37.0	8.14	34.8	7.87	33.6	7.52	32.6	7.28	30.5	6.86
	7.0	6	39.2	8.05	37.0	7.72	34.8	7.47	33.6	7.13	32.6	6.91	30.5	6.50
	9.0	7.9	39.2	7.27	37.0	6.98	34.8	6.74	33.6	6.44	32.6	6.24	30.5	5.87
11.0	9.8	39.2	6.77	37.0	6.49	34.8	6.28	33.6	5.99	32.6	5.81	30.5	5.46	
13.0	11.8	39.2	6.33	37.0	6.08	34.8	5.87	33.6	5.61	32.6	5.44	30.5	5.11	
15.0	13.7	39.2	5.97	37.0	5.73	34.8	5.54	33.6	5.29	32.6	5.13	30.5	4.82	
60	-24.8	-25	27.8	12.00	27.8	12.34	27.6	12.84	27.6	12.23	27.6	11.65	26.1	11.11
	-21.8	-22	31.3	12.50	31.9	12.84	29.9	12.23	28.9	11.65	27.9	11.11	26.1	10.58
	-19.8	-20	33.6	12.84	31.9	12.41	29.9	11.82	28.9	11.27	27.9	10.74	26.1	10.22
	-18.8	-19	33.6	12.63	31.9	12.20	29.9	11.62	28.9	11.08	27.9	10.56	26.1	10.04
	-16.7	-17	33.6	12.18	31.9	11.75	29.9	11.19	28.9	10.67	27.9	10.18	26.1	9.67
	-13.7	-15	33.6	11.54	31.9	11.11	29.9	10.58	28.9	10.10	27.9	9.64	26.1	9.14
	-11.8	-13	33.6	11.14	31.9	10.70	29.9	10.20	28.9	9.73	27.9	9.29	26.1	8.80
	-9.8	-11	33.6	10.71	31.9	10.27	29.9	9.79	28.9	9.35	27.9	8.93	26.1	8.45
	-9.5	-10	33.6	10.65	31.9	10.21	29.9	9.73	28.9	9.29	27.9	8.87	26.1	8.39
	-8.5	-9.1	33.6	10.43	31.9	10.00	29.9	9.53	28.9	9.10	27.9	8.69	26.1	8.22
	-7.0	-7.6	33.6	10.12	31.9	9.68	29.9	9.22	28.9	8.81	27.9	8.42	26.1	7.95
	-5.0	-5.6	33.6	9.69	31.9	9.25	29.9	8.81	28.9	8.43	27.9	8.06	26.1	7.59
	-3.0	-3.7	33.6	9.27	31.9	8.82	29.9	8.41	28.9	8.05	27.9	7.69	26.1	7.24
	0.0	-0.7	33.6	8.63	31.9	8.18	29.9	7.80	28.9	7.47	27.9	7.15	26.1	6.71
	3.0	2.2	33.6	7.99	31.9	7.54	29.9	7.19	28.9	6.89	27.9	6.60	26.1	6.17
	5.0	4.1	33.6	7.56	31.9	7.11	29.9	6.78	28.9	6.51	27.9	6.24	26.1	5.82
	7.0	6	33.6	7.14	31.9	6.69	29.9	6.37	28.9	6.13	27.9	5.88	26.1	5.46
	9.0	7.9	33.6	6.37	31.9	5.97	29.9	5.69	28.9	5.47	27.9	5.24	26.1	4.88
11.0	9.8	33.6	5.95	31.9	5.57	29.9	5.31	28.9	5.10	27.9	4.90	26.1	4.55	
13.0	11.8	33.6	5.57	31.9	5.22	29.9	4.98	28.9	4.78	27.9	4.59	26.1	4.27	
15.0	13.7	33.6	5.27	31.9	4.93	29.9	4.70	28.9	4.52	27.9	4.33	26.1	4.03	
50	-24.8	-25	28.1	10.99	26.5	11.49	24.9	10.92	24.1	10.38	23.3	9.86	21.7	9.38
	-21.8	-22	28.1	11.49	26.5	10.92	24.9	10.38	24.1	9.86	23.3	9.38	21.7	8.92
	-19.8	-20	28.1	11.09	26.5	10.53	24.9	10.02	24.1	9.52	23.3	9.06	21.7	8.61
	-18.8	-19	28.1	10.89	26.5	10.34	24.9	9.84	24.1	9.35	23.3	8.90	21.7	8.45
	-16.7	-17	28.1	10.48	26.5	9.94	24.9	9.46	24.1	8.99	23.3	8.57	21.7	8.13
	-13.7	-15	28.1	9.88	26.5	9.36	24.9	8.92	24.1	8.48	23.3	8.09	21.7	7.66
	-11.8	-13	28.1	9.50	26.5	9.00	24.9	8.58	24.1	8.15	23.3	7.79	21.7	7.37
	-9.8	-11	28.1	9.10	26.5	8.61	24.9	8.22	24.1	7.81	23.3	7.47	21.7	7.06
	-9.5	-10	28.1	9.04	26.5	8.56	24.9	8.16	24.1	7.76	23.3	7.42	21.7	7.01
	-8.5	-9.1	28.1	8.84	26.5	8.37	24.9	7.98	24.1	7.59	23.3	7.26	21.7	6.86
	-7.0	-7.6	28.1	8.55	26.5	8.08	24.9	7.71	24.1	7.33	23.3	7.02	21.7	6.63
	-5.0	-5.6	28.1	8.15	26.5	7.69	24.9	7.35	24.1	6.99	23.3	6.70	21.7	6.32
	-3.0	-3.7	28.1	7.75	26.5	7.31	24.9	6.99	24.1	6.65	23.3	6.38	21.7	6.01
	0.0	-0.7	28.1	7.15	26.5	6.73	24.9	6.45	24.1	6.13	23.3	5.90	21.7	5.54
	3.0	2.2	28.1	6.55	26.5	6.16	24.9	5.91	24.1	5.62	23.3	5.42	21.7	5.08
	5.0	4.1	28.1	6.16	26.5	5.78	24.9	5.55	24.1	5.28	23.3	5.10	21.7	4.77
	7.0	6	28.1	5.76	26.5	5.39	24.9	5.19	24.1	4.93	23.3	4.78	21.7	4.46
	9.0	7.9	28.1	5.20	26.5	4.87	24.9	4.69	24.1	4.46	23.3	4.32	21.7	4.03
11.0	9.8	28.1	4.87	26.5	4.56	24.9	4.39	24.1	4.17	23.3	4.04	21.7	3.77	
13.0	11.8	28.1	4.57	26.5	4.28	24.9	4.12	24.1	3.91	23.3	3.79	21.7	3.54	
15.0	13.7	28.1	4.32	26.5	4.05	24.9	3.90	24.1	3.70	23.3	3.59	21.7	3.35	

Notes:

1. TC: Total Capacity(kW) PI : Power Input(kW)(Comp. + Outdoor fan motor)
2. Capacity tables show the average value of conditions which may occur.
3. ■■■ is shown as reference. When selecting the outdoor units, avoid the outdoor air temperature range shown by ■■■ .

7. Capacity Tables

ARUB180LTE4

Heating Capacity(18HP)

Outdoor Units

Combination (%)	Outdoor air temp		Indoor air temp. °C DB											
			16		18		20		21		22		24	
	°C DB	°C WB	TC	PI	TC	PI	TC	PI	TC	PI	TC	PI	TC	PI
130	-24.8	-25	37.3	18.90	37.3	19.02	37.0	19.13	37.0	19.29	37.0	19.45	36.3	19.70
	-21.8	-22	44.2	19.15	44.2	19.27	43.9	19.38	43.9	19.54	43.9	19.70	43.1	19.94
	-19.8	-20	46.1	19.31	46.1	19.43	45.8	19.54	45.8	19.70	45.8	19.86	44.9	20.11
	-18.8	-19	47.0	19.39	47.0	19.51	46.7	19.62	46.7	19.79	46.7	19.94	45.8	20.19
	-16.7	-17	48.9	19.56	48.9	19.69	48.5	19.79	48.5	19.96	48.5	20.11	47.6	20.36
	-13.7	-15	51.6	19.81	51.6	19.93	51.2	20.04	51.2	20.20	51.2	20.36	50.3	19.52
	-11.8	-13	53.2	19.97	53.2	20.09	52.9	20.20	52.9	20.36	52.9	19.79	51.9	18.98
	-9.8	-11	55.0	20.13	55.0	20.25	54.7	20.36	54.7	19.74	54.7	19.18	53.7	18.42
	-9.5	-10	55.3	20.15	55.3	20.28	55.0	20.26	55.0	19.65	54.9	19.09	54.0	18.33
	-8.5	-9.1	56.4	20.24	56.4	20.36	56.1	19.94	56.1	19.34	55.8	18.79	54.8	18.05
	-7.0	-7.6	58.0	20.36	58.0	19.88	57.7	19.46	57.7	18.88	57.7	18.34	56.2	17.63
	-5.0	-5.6	60.2	19.73	60.2	19.25	59.8	18.82	59.8	18.26	59.8	17.74	57.9	17.07
	-3.0	-3.7	62.3	19.10	62.3	18.61	61.9	18.19	61.9	17.64	61.9	17.13	59.7	16.51
	0.0	-0.7	65.5	18.15	65.5	17.66	65.1	17.23	65.1	16.71	65.1	16.23	62.3	15.66
	3.0	2.2	68.8	17.21	68.8	16.71	68.3	16.27	68.3	15.79	68.3	15.32	64.0	14.82
	5.0	4.1	70.9	16.58	70.9	16.07	70.5	15.63	70.5	15.17	68.8	14.72	64.0	14.26
	7.0	6	73.1	15.95	73.1	15.44	72.6	14.99	71.2	14.55	68.8	14.12	64.0	13.70
9.0	7.9	73.3	15.42	73.3	14.93	73.1	14.49	71.2	14.07	68.8	13.65	64.0	13.24	
11.0	9.8	73.3	15.03	73.3	14.54	73.1	14.12	71.2	13.71	68.8	13.30	64.0	12.90	
13.0	11.8	73.3	14.60	73.3	14.13	73.1	13.72	71.2	13.32	68.8	12.93	64.0	12.54	
15.0	13.7	73.3	14.15	73.3	13.70	73.1	13.30	71.2	12.91	68.8	12.53	64.0	12.15	
120	-24.8	-25	37.0	19.02	37.0	19.13	36.8	19.29	36.8	19.45	36.8	19.70	36.1	19.87
	-21.8	-22	43.9	19.27	43.9	19.38	43.6	19.54	43.6	19.70	43.6	19.94	42.8	20.11
	-19.8	-20	45.7	19.43	45.7	19.54	45.4	19.70	45.4	19.86	45.4	20.11	44.6	20.28
	-18.8	-19	46.6	19.51	46.6	19.62	46.3	19.79	46.3	19.94	46.3	20.19	45.5	20.36
	-16.7	-17	48.5	19.69	48.5	19.79	48.2	19.96	48.2	20.11	48.2	20.36	47.3	19.82
	-13.7	-15	51.2	19.93	51.2	20.04	50.9	20.20	50.9	20.36	50.9	19.55	49.9	19.04
	-11.8	-13	52.9	20.09	52.9	20.20	52.5	20.36	52.5	19.78	52.5	19.03	51.6	18.55
	-9.8	-11	54.6	20.25	54.6	20.36	54.3	19.72	54.3	19.18	54.3	18.49	53.3	18.03
	-9.5	-10	54.9	20.28	54.9	20.26	54.6	19.62	54.6	19.08	54.6	18.41	53.6	17.96
	-8.5	-9.1	56.0	20.36	56.0	19.92	55.7	19.30	55.7	18.78	55.5	18.14	54.5	17.70
	-7.0	-7.6	57.6	19.84	57.6	19.41	57.2	18.82	57.2	18.32	56.8	17.73	55.8	17.31
	-5.0	-5.6	59.7	19.16	59.7	18.72	59.4	18.18	59.4	17.72	59.4	17.19	57.5	16.79
	-3.0	-3.7	61.9	18.47	61.9	18.04	61.5	17.55	61.5	17.11	61.5	16.65	59.3	16.28
	0.0	-0.7	65.1	17.44	65.1	17.02	64.7	16.59	64.7	16.20	64.7	15.84	60.1	15.50
	3.0	2.2	68.3	16.42	68.3	16.00	67.8	15.63	66.8	15.29	64.7	15.02	60.1	14.72
	5.0	4.1	70.4	15.73	70.4	15.32	69.1	14.99	66.8	14.68	64.7	14.48	60.1	14.21
	7.0	6	72.5	15.04	71.9	14.64	69.1	14.35	66.8	14.07	64.7	13.94	60.1	13.69
9.0	7.9	72.7	14.52	71.9	14.12	69.1	13.84	66.8	13.58	64.7	13.45	60.1	13.21	
11.0	9.8	72.7	14.11	71.9	13.73	69.1	13.46	66.8	13.20	64.7	13.08	60.1	12.84	
13.0	11.8	72.7	13.68	71.9	13.31	69.1	13.05	66.8	12.80	64.7	12.68	60.1	12.45	
15.0	13.7	72.7	13.23	71.9	12.87	69.1	12.61	66.8	12.37	64.7	12.26	60.1	12.04	
110	-24.8	-25	36.8	19.13	36.8	19.29	36.6	19.45	36.6	19.70	36.6	19.87	35.9	19.95
	-21.8	-22	43.7	19.38	43.7	19.54	43.4	19.70	43.4	19.94	43.4	20.11	42.6	20.20
	-19.8	-20	45.5	19.54	45.5	19.70	45.2	19.86	45.2	20.11	45.2	20.28	44.3	20.36
	-18.8	-19	46.4	19.62	46.4	19.79	46.1	19.94	46.1	20.19	46.1	20.36	45.2	20.08
	-16.7	-17	48.2	19.79	48.2	19.96	47.9	20.11	47.9	20.36	47.9	19.78	47.0	19.48
	-13.7	-15	50.9	20.04	50.9	20.20	50.6	20.36	50.6	19.48	50.6	18.95	50.6	18.64
	-11.8	-13	52.6	20.20	52.6	20.36	52.2	19.73	52.2	18.92	52.2	18.42	52.2	18.10
	-9.8	-11	54.3	20.36	54.3	19.65	54.0	19.07	54.0	18.33	54.0	17.86	53.3	17.54
	-9.5	-10	54.6	20.24	54.6	19.54	54.3	18.98	54.3	18.24	54.3	17.78	54.1	17.45
	-8.5	-9.1	55.7	19.86	55.7	19.19	55.4	18.65	55.4	17.94	55.4	17.50	54.1	17.17
	-7.0	-7.6	57.3	19.28	57.3	18.66	56.9	18.15	56.9	17.50	56.9	17.09	54.1	16.75
	-5.0	-5.6	59.4	18.51	59.4	17.95	59.0	17.49	59.0	16.91	57.9	16.53	54.1	16.18
	-3.0	-3.7	61.5	17.75	61.5	17.24	61.2	16.83	60.0	16.32	57.9	15.98	54.1	15.62
	0.0	-0.7	64.7	16.59	64.7	16.18	62.0	15.85	60.0	15.44	57.9	15.15	54.1	14.77
	3.0	2.2	67.9	15.44	66.1	15.11	62.0	14.86	60.0	14.55	57.9	14.31	54.1	13.92
	5.0	4.1	69.9	14.67	66.1	14.40	62.0	14.20	60.0	13.96	57.9	13.76	54.1	13.36
	7.0	6	69.9	13.90	66.1	13.69	62.0	13.54	60.0	13.38	57.9	13.20	54.1	12.80
9.0	7.9	69.9	13.36	66.1	13.16	62.0	13.01	60.0	12.85	57.9	12.69	54.1	12.30	
11.0	9.8	69.9	12.93	66.1	12.73	62.0	12.59	60.0	12.44	57.9	12.28	54.1	11.90	
13.0	11.8	69.9	12.47	66.1	12.28	62.0	12.14	60.0	11.99	57.9	11.84	54.1	11.47	
15.0	13.7	69.9	11.98	66.1	11.80	62.0	11.67	60.0	11.53	57.9	11.38	54.1	11.03	

Notes:

1. TC: Total Capacity(kW) PI : Power Input(kW)(Comp. + Outdoor fan motor)
2. Capacity tables show the average value of conditions which may occur.
3. ■■■ is shown as reference. When selecting the outdoor units, avoid the outdoor air temperature range shown by ■■■ .

7. Capacity Tables

Heating Capacity(18HP)

Combination (%)	Outdoor air temp		Indoor air temp. °C DB											
			16		18		20		21		22		24	
	°C DB	°C WB	TC	PI	TC	PI	TC	PI	TC	PI	TC	PI	TC	PI
100	-24.8	-25	36.6	19.88	36.6	19.94	36.4	19.13	36.4	20.10	36.4	20.17	35.7	20.20
	-21.8	-22	43.5	19.97	43.5	20.04	43.2	19.74	43.2	20.20	43.2	20.37	42.4	20.30
	-19.8	-20	45.3	20.04	45.3	20.10	45.0	20.11	45.0	20.26	45.0	20.36	44.2	20.36
	-18.8	-19	46.2	20.07	45.9	20.13	45.9	20.20	45.9	20.29	45.9	20.36	45.0	20.02
	-16.7	-17	47.7	20.14	47.7	20.20	47.7	20.37	47.5	20.36	47.5	19.66	46.6	19.31
	-13.7	-15	50.7	20.23	50.7	20.30	50.4	20.36	50.4	19.33	50.4	18.65	49.4	18.29
	-11.8	-13	52.3	20.30	52.0	20.36	52.0	19.67	52.0	18.68	52.0	18.02	49.4	17.65
	-9.8	-11	54.0	20.36	54.0	19.58	53.8	18.94	53.8	18.00	53.1	17.35	49.4	16.97
	-9.5	-10	54.3	20.24	54.3	19.46	54.1	18.83	54.1	17.90	53.1	17.25	49.4	16.87
	-8.5	-9.1	55.4	19.83	55.4	19.07	55.1	18.46	54.9	17.56	53.1	16.91	49.4	16.53
	-7.0	-7.6	57.9	19.21	57.7	18.49	56.7	17.92	54.9	17.04	53.1	16.41	49.4	16.02
	-5.0	-5.6	60.5	18.39	59.9	17.71	56.7	17.19	54.9	16.36	53.1	15.74	49.4	15.34
	-3.0	-3.7	62.2	17.57	60.3	16.93	56.7	16.46	54.9	15.67	53.1	15.07	49.4	14.67
	0.0	-0.7	64.0	16.33	60.3	15.76	56.7	15.36	54.9	14.65	53.1	14.07	49.4	13.65
	3.0	2.2	64.0	15.10	60.3	14.59	56.7	14.27	54.9	13.62	53.1	13.06	49.4	12.63
	5.0	4.1	64.0	14.28	60.3	13.82	56.7	13.54	54.9	12.94	53.1	12.39	49.4	11.95
	7.0	6	64.0	13.46	60.3	13.04	56.7	12.81	54.9	12.26	53.1	11.73	49.4	11.28
9.0	7.9	64.0	12.70	60.3	12.30	56.7	12.09	54.9	11.57	53.1	11.07	49.4	10.64	
11.0	9.8	64.0	12.05	60.3	11.67	56.7	11.47	54.9	10.97	53.1	10.50	49.4	10.09	
13.0	11.8	64.0	11.36	60.3	11.00	56.7	10.81	54.9	10.34	53.1	9.89	49.4	9.52	
15.0	13.7	64.0	10.63	60.3	10.30	56.7	10.12	54.9	9.68	53.1	9.26	49.4	8.91	
90	-24.8	-25	36.5	18.40	36.5	18.65	36.3	18.82	36.3	18.90	36.3	19.06	35.6	19.31
	-21.8	-22	43.3	18.65	43.3	18.89	43.0	19.06	43.0	19.15	43.0	19.31	42.2	18.46
	-19.8	-20	45.1	18.81	45.1	19.06	44.8	19.23	44.8	19.31	44.8	18.72	44.0	17.89
	-18.8	-19	46.2	18.89	45.9	19.14	45.7	19.31	45.7	19.01	45.7	18.43	44.8	17.60
	-16.7	-17	47.7	19.06	47.7	19.31	47.5	18.68	47.5	18.37	47.5	17.82	45.2	17.00
	-13.7	-15	50.7	19.31	50.7	18.37	50.2	17.79	50.2	17.47	48.7	16.94	45.2	16.15
	-11.8	-13	52.3	18.67	52.0	17.78	51.8	17.22	50.3	16.89	48.7	16.38	45.2	15.61
	-9.8	-11	54.0	17.99	54.0	17.16	51.9	16.62	50.3	16.29	48.7	15.79	45.2	15.04
	-9.5	-10	54.3	17.89	54.3	17.07	51.9	16.53	50.3	16.20	48.7	15.71	45.2	14.95
	-8.5	-9.1	55.4	17.55	55.0	16.75	51.9	16.23	50.3	15.89	48.7	15.41	45.2	14.67
	-7.0	-7.6	57.9	17.04	55.1	16.29	51.9	15.78	50.3	15.44	48.7	14.97	45.2	14.24
	-5.0	-5.6	58.6	16.36	55.1	15.66	51.9	15.19	50.3	14.83	48.7	14.39	45.2	13.67
	-3.0	-3.7	58.6	15.69	55.1	15.04	51.9	14.59	50.3	14.23	48.7	13.80	45.2	13.10
	0.0	-0.7	58.6	14.67	55.1	14.10	51.9	13.69	50.3	13.32	48.7	12.92	45.2	12.25
	3.0	2.2	58.6	13.65	55.1	13.17	51.9	12.80	50.3	12.42	48.7	12.04	45.2	11.39
	5.0	4.1	58.6	12.98	55.1	12.54	51.9	12.20	50.3	11.81	48.7	11.46	45.2	10.82
	7.0	6	58.6	12.30	55.1	11.92	51.9	11.60	50.3	11.21	48.7	10.87	45.2	10.25
9.0	7.9	58.6	11.67	55.1	11.31	51.9	11.00	50.3	10.63	48.7	10.31	45.2	9.72	
11.0	9.8	58.6	11.03	55.1	10.69	51.9	10.41	50.3	10.05	48.7	9.75	45.2	9.20	
13.0	11.8	58.6	10.40	55.1	10.08	51.9	9.81	50.3	9.47	48.7	9.19	45.2	8.67	
15.0	13.7	58.6	9.77	55.1	9.47	51.9	9.21	50.3	8.90	48.7	8.63	45.2	8.14	
80	-24.8	-25	36.3	16.21	36.3	16.46	36.1	16.63	36.1	16.71	36.1	17.12	35.4	16.37
	-21.8	-22	42.9	16.46	42.9	16.70	42.9	16.88	42.9	17.12	42.9	16.37	40.4	15.65
	-19.8	-20	44.6	16.62	44.6	16.87	44.6	17.12	44.6	16.59	43.4	15.87	40.4	15.17
	-18.8	-19	45.5	16.70	45.5	17.12	45.5	16.85	45.0	16.32	43.4	15.62	40.4	14.93
	-16.7	-17	46.4	17.12	46.4	16.56	46.4	16.28	45.0	15.77	43.4	15.09	40.4	14.43
	-13.7	-15	46.4	16.28	46.4	15.75	46.4	15.47	45.0	14.97	43.4	14.34	40.4	13.71
	-11.8	-13	48.1	15.75	46.8	15.24	46.4	14.96	45.0	14.46	43.4	13.86	40.4	13.25
	-9.8	-11	49.9	15.19	48.4	14.70	46.4	14.42	45.0	13.93	43.4	13.36	40.4	12.77
	-9.5	-10	50.2	15.10	48.6	14.62	46.4	14.34	45.0	13.85	43.4	13.29	40.4	12.70
	-8.5	-9.1	51.1	14.82	49.4	14.35	46.4	14.07	45.0	13.58	43.4	13.04	40.4	12.46
	-7.0	-7.6	52.4	14.40	49.4	13.94	46.4	13.66	45.0	13.19	43.4	12.66	40.4	12.10
	-5.0	-5.6	52.4	13.84	49.4	13.40	46.4	13.12	45.0	12.65	43.4	12.16	40.4	11.62
	-3.0	-3.7	52.4	13.28	49.4	12.87	46.4	12.58	45.0	12.12	43.4	11.66	40.4	11.14
	0.0	-0.7	52.4	12.44	49.4	12.06	46.4	11.77	45.0	11.32	43.4	10.91	40.4	10.42
	3.0	2.2	52.4	11.60	49.4	11.25	46.4	10.95	45.0	10.53	43.4	10.15	40.4	9.70
	5.0	4.1	52.4	11.04	49.4	10.71	46.4	10.41	45.0	9.99	43.4	9.65	40.4	9.22
	7.0	6	52.4	10.48	49.4	10.17	46.4	9.87	45.0	9.46	43.4	9.15	40.4	8.74
9.0	7.9	52.4	9.84	49.4	9.55	46.4	9.27	45.0	8.88	43.4	8.59	40.4	8.20	
11.0	9.8	52.4	9.13	49.4	8.86	46.4	8.60	45.0	8.24	43.4	7.97	40.4	7.61	
13.0	11.8	52.4	8.52	49.4	8.27	46.4	8.03	45.0	7.70	43.4	7.44	40.4	7.11	
15.0	13.7	52.4	8.02	49.4	7.79	46.4	7.56	45.0	7.25	43.4	7.01	40.4	6.69	

Notes:

1. TC: Total Capacity(kW) PI : Power Input(kW)(Comp. + Outdoor fan motor)
2. Capacity tables show the average value of conditions which may occur.
3. ■■■ is shown as reference. When selecting the outdoor units, avoid the outdoor air temperature range shown by ■■■ .

7. Capacity Tables

Heating Capacity(18HP)

Combination (%)	Outdoor air temp		Indoor air temp. °C DB											
			16		18		20		21		22		24	
	°C DB	°C WB	TC	PI	TC	PI	TC	PI	TC	PI	TC	PI	TC	PI
70	-24.8	-25	36.3	16.23	36.3	16.31	36.1	16.48	36.1	16.72	36.1	15.91	34.5	15.15
	-21.8	-22	39.8	16.48	39.8	16.56	39.5	16.72	38.2	15.91	37.0	15.15	34.5	14.41
	-19.8	-20	42.0	16.64	42.0	16.72	39.5	16.15	38.2	15.36	37.0	14.64	34.5	13.92
	-18.8	-19	43.2	16.72	42.0	16.42	39.5	15.86	38.2	15.09	37.0	14.38	34.5	13.68
	-16.7	-17	44.5	16.10	42.0	15.80	39.5	15.26	38.2	14.52	37.0	13.85	34.5	13.16
	-13.7	-15	44.5	15.22	42.0	14.91	39.5	14.40	38.2	13.71	37.0	13.09	34.5	12.43
	-11.8	-13	44.5	14.66	42.0	14.34	39.5	13.85	38.2	13.19	37.0	12.61	34.5	11.97
	-9.8	-11	44.5	14.07	42.0	13.75	39.5	13.28	38.2	12.65	37.0	12.10	34.5	11.48
	-9.5	-10	44.5	13.98	42.0	13.66	39.5	13.19	38.2	12.56	37.0	12.02	34.5	11.40
	-8.5	-9.1	44.5	13.69	42.0	13.36	39.5	12.91	38.2	12.29	37.0	11.77	34.5	11.16
	-7.0	-7.6	44.5	13.25	42.0	12.92	39.5	12.48	38.2	11.88	37.0	11.39	34.5	10.79
	-5.0	-5.6	44.5	12.66	42.0	12.32	39.5	11.90	38.2	11.34	37.0	10.88	34.5	10.30
	-3.0	-3.7	44.5	12.07	42.0	11.73	39.5	11.33	38.2	10.80	37.0	10.37	34.5	9.81
	0.0	-0.7	44.5	11.18	42.0	10.84	39.5	10.47	38.2	9.98	37.0	9.61	34.5	9.08
	3.0	2.2	44.5	10.30	42.0	9.94	39.5	9.61	38.2	9.17	37.0	8.85	34.5	8.35
	5.0	4.1	44.5	9.71	42.0	9.35	39.5	9.04	38.2	8.62	37.0	8.34	34.5	7.86
	7.0	6	44.5	9.12	42.0	8.76	39.5	8.46	38.2	8.08	37.0	7.84	34.5	7.37
9.0	7.9	44.5	8.24	42.0	7.91	39.5	7.64	38.2	7.30	37.0	7.08	34.5	6.65	
11.0	9.8	44.5	7.67	42.0	7.36	39.5	7.12	38.2	6.79	37.0	6.59	34.5	6.19	
13.0	11.8	44.5	7.18	42.0	6.89	39.5	6.66	38.2	6.36	37.0	6.16	34.5	5.80	
15.0	13.7	44.5	6.77	42.0	6.49	39.5	6.28	38.2	5.99	37.0	5.81	34.5	5.46	
60	-24.8	-25	34.1	16.07	34.1	16.23	33.9	16.48	32.7	15.60	31.6	14.79	29.6	14.02
	-21.8	-22	36.5	16.31	36.1	16.48	33.9	15.60	32.7	14.79	31.6	14.02	29.6	13.28
	-19.8	-20	38.2	16.48	36.1	15.86	33.9	15.02	32.7	14.24	31.6	13.51	29.6	12.79
	-18.8	-19	38.2	16.16	36.1	15.55	33.9	14.73	32.7	13.97	31.6	13.25	29.6	12.54
	-16.7	-17	38.2	15.51	36.1	14.90	33.9	14.12	32.7	13.40	31.6	12.72	29.6	12.03
	-13.7	-15	38.2	14.57	36.1	13.97	33.9	13.25	32.7	12.58	31.6	11.95	29.6	11.29
	-11.8	-13	38.2	13.97	36.1	13.39	33.9	12.69	32.7	12.06	31.6	11.47	29.6	10.82
	-9.8	-11	38.2	13.35	36.1	12.77	33.9	12.11	32.7	11.52	31.6	10.95	29.6	10.33
	-9.5	-10	38.2	13.25	36.1	12.68	33.9	12.03	32.7	11.44	31.6	10.88	29.6	10.26
	-8.5	-9.1	38.2	12.94	36.1	12.37	33.9	11.73	32.7	11.17	31.6	10.62	29.6	10.01
	-7.0	-7.6	38.2	12.47	36.1	11.90	33.9	11.30	32.7	10.76	31.6	10.24	29.6	9.64
	-5.0	-5.6	38.2	11.85	36.1	11.29	33.9	10.72	32.7	10.21	31.6	9.73	29.6	9.15
	-3.0	-3.7	38.2	11.22	36.1	10.67	33.9	10.14	32.7	9.67	31.6	9.22	29.6	8.66
	0.0	-0.7	38.2	10.28	36.1	9.74	33.9	9.26	32.7	8.85	31.6	8.45	29.6	7.92
	3.0	2.2	38.2	9.34	36.1	8.82	33.9	8.39	32.7	8.03	31.6	7.68	29.6	7.18
	5.0	4.1	38.2	8.72	36.1	8.20	33.9	7.81	32.7	7.49	31.6	7.17	29.6	6.69
	7.0	6	38.2	8.09	36.1	7.58	33.9	7.23	32.7	6.95	31.6	6.66	29.6	6.20
9.0	7.9	38.2	7.22	36.1	6.76	33.9	6.45	32.7	6.20	31.6	5.94	29.6	5.53	
11.0	9.8	38.2	6.74	36.1	6.32	33.9	6.02	32.7	5.79	31.6	5.55	29.6	5.16	
13.0	11.8	38.2	6.32	36.1	5.92	33.9	5.64	32.7	5.42	31.6	5.20	29.6	4.84	
15.0	13.7	38.2	5.97	36.1	5.59	33.9	5.33	32.7	5.12	31.6	4.91	29.6	4.57	
50	-24.8	-25	31.8	13.97	30.0	14.21	28.2	13.45	27.3	12.74	26.4	12.06	24.6	11.44
	-21.8	-22	31.8	14.21	30.0	13.45	28.2	12.74	27.3	12.06	26.4	11.44	24.6	10.83
	-19.8	-20	31.8	13.68	30.0	12.94	28.2	12.26	27.3	11.61	26.4	11.02	24.6	10.43
	-18.8	-19	31.8	13.41	30.0	12.69	28.2	12.02	27.3	11.39	26.4	10.81	24.6	10.23
	-16.7	-17	31.8	12.85	30.0	12.15	28.2	11.52	27.3	10.92	26.4	10.37	24.6	9.81
	-13.7	-15	31.8	12.05	30.0	11.39	28.2	10.81	27.3	10.24	26.4	9.74	24.6	9.21
	-11.8	-13	31.8	11.55	30.0	10.90	28.2	10.36	27.3	9.82	26.4	9.35	24.6	8.83
	-9.8	-11	31.8	11.01	30.0	10.39	28.2	9.88	27.3	9.37	26.4	8.93	24.6	8.43
	-9.5	-10	31.8	10.93	30.0	10.32	28.2	9.81	27.3	9.30	26.4	8.87	24.6	8.37
	-8.5	-9.1	31.8	10.66	30.0	10.06	28.2	9.57	27.3	9.07	26.4	8.66	24.6	8.17
	-7.0	-7.6	31.8	10.26	30.0	9.68	28.2	9.22	27.3	8.74	26.4	8.34	24.6	7.86
	-5.0	-5.6	31.8	9.73	30.0	9.17	28.2	8.74	27.3	8.29	26.4	7.93	24.6	7.46
	-3.0	-3.7	31.8	9.20	30.0	8.66	28.2	8.27	27.3	7.84	26.4	7.51	24.6	7.06
	0.0	-0.7	31.8	8.40	30.0	7.90	28.2	7.55	27.3	7.17	26.4	6.88	24.6	6.46
	3.0	2.2	31.8	7.60	30.0	7.13	28.2	6.84	27.3	6.49	26.4	6.26	24.6	5.86
	5.0	4.1	31.8	7.06	30.0	6.62	28.2	6.36	27.3	6.04	26.4	5.84	24.6	5.46
	7.0	6	31.8	6.53	30.0	6.11	28.2	5.89	27.3	5.59	26.4	5.42	24.6	5.06
9.0	7.9	31.8	5.89	30.0	5.52	28.2	5.32	27.3	5.05	26.4	4.89	24.6	4.57	
11.0	9.8	31.8	5.52	30.0	5.16	28.2	4.97	27.3	4.73	26.4	4.58	24.6	4.27	
13.0	11.8	31.8	5.18	30.0	4.85	28.2	4.67	27.3	4.44	26.4	4.30	24.6	4.01	
15.0	13.7	31.8	4.90	30.0	4.59	28.2	4.42	27.3	4.20	26.4	4.07	24.6	3.80	

Notes:

1. TC: Total Capacity(kW) PI : Power Input(kW)(Comp. + Outdoor fan motor)
2. Capacity tables show the average value of conditions which may occur.
3. ■ is shown as reference. When selecting the outdoor units, avoid the outdoor air temperature range shown by ■.

7. Capacity Tables

ARUB200LTE4

Heating Capacity(20HP)

Combination (%)	Outdoor air temp		Indoor air temp. °C DB											
			16		18		20		21		22		24	
	°C DB	°C WB	TC	PI	TC	PI	TC	PI	TC	PI	TC	PI	TC	PI
130	-24.8	-25	39.5	21.41	39.5	21.48	39.2	21.54	39.2	21.63	39.2	21.72	38.5	21.85
	-21.8	-22	48.0	21.55	48.0	21.62	47.7	21.68	47.7	21.77	47.7	21.85	46.8	21.99
	-19.8	-20	50.7	21.64	50.7	21.71	50.3	21.77	50.3	21.86	50.3	21.94	49.4	22.08
	-18.8	-19	51.7	21.68	51.7	21.75	51.4	21.81	51.4	21.90	51.4	21.99	50.4	22.13
	-16.7	-17	54.0	21.78	54.0	21.85	53.7	21.91	53.7	22.00	53.7	22.09	52.7	22.22
	-13.7	-15	57.3	21.92	57.3	21.99	57.0	22.05	57.0	22.14	57.0	22.22	55.9	21.42
	-11.8	-13	59.2	22.00	59.2	22.07	58.8	22.13	58.8	22.22	58.8	22.22	57.9	22.90
	-9.8	-11	61.1	22.10	61.1	22.16	60.8	22.22	60.8	21.65	60.8	21.11	60.0	20.37
	-9.5	-10	61.5	22.11	61.5	22.18	61.1	22.14	61.1	21.56	61.1	21.03	60.3	20.29
	-8.5	-9.1	62.7	22.16	62.7	22.22	62.3	21.85	62.3	21.28	62.0	20.74	61.4	20.02
	-7.0	-7.6	64.5	22.22	64.5	21.80	64.1	21.41	64.1	20.85	64.1	20.32	63.0	19.61
	-5.0	-5.6	66.8	21.69	66.8	21.24	66.4	20.83	66.4	20.27	66.4	19.75	65.1	19.07
	-3.0	-3.7	69.2	21.15	69.2	20.67	68.8	20.25	68.8	19.70	68.8	19.18	67.2	18.54
	0.0	-0.7	72.7	20.34	72.7	19.83	72.3	19.37	72.3	18.84	72.3	18.33	70.4	17.73
	3.0	2.2	76.3	19.53	76.3	18.98	75.8	18.50	75.8	17.98	75.8	17.47	71.1	16.92
	5.0	4.1	78.7	18.99	78.7	18.42	78.2	17.92	78.2	17.41	76.4	16.90	71.1	16.38
	7.0	6	81.0	18.45	81.0	17.86	80.5	17.34	79.2	16.83	76.4	16.33	71.1	15.84
9.0	7.9	81.4	18.01	81.4	17.43	81.2	16.93	79.2	16.43	76.4	15.94	71.1	15.47	
11.0	9.8	81.4	17.73	81.4	17.16	81.2	16.66	79.2	16.18	76.4	15.70	71.1	15.22	
13.0	11.8	81.4	17.43	81.4	16.86	81.2	16.37	79.2	15.90	76.4	15.43	71.1	14.96	
15.0	13.7	81.4	17.10	81.4	16.55	81.2	16.06	79.2	15.60	76.4	15.13	71.1	14.68	
120	-24.8	-25	39.2	21.48	39.2	21.54	38.9	21.63	38.9	21.72	38.9	21.85	38.2	21.95
	-21.8	-22	47.7	21.62	47.7	21.68	47.4	21.77	47.4	21.85	47.4	21.99	46.5	22.09
	-19.8	-20	50.3	21.71	50.3	21.77	50.0	21.86	50.0	21.94	50.0	22.08	49.0	22.18
	-18.8	-19	51.4	21.75	51.4	21.81	51.1	21.90	51.1	21.99	51.1	22.13	50.1	22.22
	-16.7	-17	53.7	21.85	53.7	21.91	53.3	22.00	53.3	22.09	53.3	22.22	52.3	21.70
	-13.7	-15	56.9	21.99	56.9	22.05	56.6	22.14	56.6	22.22	56.6	21.45	55.5	20.96
	-11.8	-13	58.8	22.07	58.8	22.13	58.4	22.22	58.4	21.68	58.4	20.96	57.5	20.49
	-9.8	-11	60.7	22.16	60.7	22.22	60.3	21.63	60.3	21.10	60.3	20.45	59.6	20.00
	-9.5	-10	61.1	22.18	61.1	22.13	60.7	21.54	60.7	21.02	60.7	20.37	59.9	19.92
	-8.5	-9.1	62.2	22.22	62.2	21.81	61.9	21.24	61.9	20.73	61.9	20.11	61.0	19.67
	-7.0	-7.6	64.0	21.76	64.0	21.34	63.6	20.79	63.6	20.30	63.6	19.73	62.5	19.30
	-5.0	-5.6	66.4	21.14	66.4	20.71	65.9	20.19	65.9	19.73	65.9	19.21	64.7	18.81
	-3.0	-3.7	68.7	20.51	68.7	20.08	68.3	19.59	68.3	19.15	68.3	18.70	66.8	18.31
	0.0	-0.7	72.2	19.58	72.2	19.14	71.8	18.69	71.8	18.29	71.8	17.93	66.8	17.57
	3.0	2.2	75.8	18.65	75.8	18.19	75.3	17.80	74.2	17.43	71.9	17.16	66.8	16.83
	5.0	4.1	78.1	18.03	78.1	17.56	76.8	17.20	74.2	16.86	71.9	16.64	66.8	16.33
	7.0	6	80.5	17.40	79.9	16.93	76.8	16.60	74.2	16.28	71.9	16.13	66.8	15.84
9.0	7.9	80.8	16.94	79.9	16.48	76.8	16.16	74.2	15.85	71.9	15.70	66.8	15.42	
11.0	9.8	80.8	16.63	79.9	16.18	76.8	15.86	74.2	15.56	71.9	15.41	66.8	15.14	
13.0	11.8	80.8	16.30	79.9	15.86	76.8	15.54	74.2	15.25	71.9	15.10	66.8	14.83	
15.0	13.7	80.8	15.94	79.9	15.50	76.8	15.20	74.2	14.91	71.9	14.77	66.8	14.50	
110	-24.8	-25	39.0	21.54	39.0	21.63	38.7	21.72	38.7	21.85	38.7	21.95	38.0	22.00
	-21.8	-22	47.4	21.68	47.4	21.77	47.1	21.85	47.1	21.99	47.1	22.09	46.2	22.13
	-19.8	-20	50.0	21.77	50.0	21.86	49.7	21.94	49.7	22.08	49.7	22.18	48.7	22.22
	-18.8	-19	51.1	21.81	51.1	21.90	50.8	21.99	50.8	22.13	50.8	22.22	49.8	22.15
	-16.7	-17	53.4	21.91	53.4	22.00	53.0	22.09	53.0	22.22	53.0	21.66	52.0	21.37
	-13.7	-15	56.6	22.05	56.6	22.14	56.2	22.22	56.2	21.37	56.2	20.85	56.2	20.53
	-11.8	-13	58.4	22.13	58.4	22.22	58.1	21.62	58.1	20.83	58.1	20.34	58.1	20.01
	-9.8	-11	60.4	22.22	60.4	21.54	60.0	20.99	60.0	20.26	60.0	19.80	59.6	19.46
	-9.5	-10	60.7	22.11	60.7	21.44	60.4	20.89	60.4	20.17	60.4	19.72	60.1	19.37
	-8.5	-9.1	61.9	21.75	61.9	21.10	61.5	20.58	61.5	19.89	61.5	19.45	60.1	19.10
	-7.0	-7.6	63.7	21.20	63.7	20.59	63.3	20.10	63.3	19.46	63.3	19.05	60.1	18.68
	-5.0	-5.6	66.0	20.47	66.0	19.92	65.6	19.47	65.6	18.89	64.4	18.51	60.1	18.13
	-3.0	-3.7	68.3	19.74	68.3	19.24	67.9	18.83	66.6	18.32	64.4	17.97	60.1	17.57
	0.0	-0.7	71.8	18.64	71.8	18.22	68.9	17.88	66.6	17.47	64.4	17.16	60.1	16.74
	3.0	2.2	75.3	17.55	73.4	17.20	68.9	16.93	66.6	16.61	64.4	16.35	60.1	15.91
	5.0	4.1	77.7	16.82	73.4	16.52	68.9	16.30	66.6	16.04	64.4	15.81	60.1	15.36
	7.0	6	77.7	16.08	73.4	15.84	68.9	15.66	66.6	15.47	64.4	15.28	60.1	14.80
9.0	7.9	77.7	15.59	73.4	15.35	68.9	15.18	66.6	15.00	64.4	14.80	60.1	14.35	
11.0	9.8	77.7	15.23	73.4	15.00	68.9	14.83	66.6	14.65	64.4	14.46	60.1	14.01	
13.0	11.8	77.7	14.84	73.4	14.62	68.9	14.45	66.6	14.28	64.4	14.09	60.1	13.66	
15.0	13.7	77.7	14.43	73.4	14.21	68.9	14.05	66.6	13.88	64.4	13.70	60.1	13.28	

Outdoor Units

Notes:

1. TC: Total Capacity(kW) PI: Power Input(kW)(Comp. + Outdoor fan motor)
2. Capacity tables show the average value of conditions which may occur.
3. ■■■ is shown as reference. When selecting the outdoor units, avoid the outdoor air temperature range shown by ■■■.

7. Capacity Tables

Heating Capacity(20HP)

Outdoor Units

Combination (%)	Outdoor air temp		Indoor air temp. °C DB											
			16		18		20		21		22		24	
	°C DB	°C WB	TC	PI	TC	PI	TC	PI	TC	PI	TC	PI	TC	PI
100	-24.8	-25	38.8	23.56	38.8	23.38	38.6	21.54	38.6	22.94	38.6	22.76	37.8	22.67
	-21.8	-22	47.2	23.29	47.2	23.11	46.9	22.22	46.9	22.68	46.9	22.77	46.0	22.40
	-19.8	-20	49.8	23.11	49.8	22.94	49.5	22.63	49.5	22.50	49.5	22.41	48.5	22.22
	-18.8	-19	50.9	23.02	50.6	22.85	50.6	22.68	50.6	22.41	50.6	22.22	49.6	21.88
	-16.7	-17	52.8	22.84	52.8	22.66	52.8	22.77	52.5	22.22	52.5	21.52	51.5	21.16
	-13.7	-15	56.3	22.57	56.3	22.39	56.0	22.22	56.0	21.21	56.0	20.51	54.9	20.13
	-11.8	-13	58.1	22.40	57.8	22.22	57.8	21.54	57.8	20.56	57.8	19.87	54.9	19.48
	-9.8	-11	60.1	22.22	60.1	21.46	59.8	20.83	59.8	19.88	59.0	19.20	54.9	18.80
	-9.5	-10	60.4	22.10	60.4	21.35	60.1	20.72	60.1	19.78	59.0	19.10	54.9	18.70
	-8.5	-9.1	61.6	21.71	61.6	20.97	61.3	20.36	61.0	19.44	59.0	18.77	54.9	18.35
	-7.0	-7.6	64.4	21.11	64.1	20.40	63.0	19.83	61.0	18.93	59.0	18.26	54.9	17.84
	-5.0	-5.6	67.2	20.32	66.5	19.64	63.0	19.11	61.0	18.25	59.0	17.59	54.9	17.16
	-3.0	-3.7	69.1	19.53	67.0	18.88	63.0	18.40	61.0	17.57	59.0	16.92	54.9	16.47
	0.0	-0.7	71.1	18.34	67.0	17.74	63.0	17.32	61.0	16.55	59.0	15.91	54.9	15.44
	3.0	2.2	71.1	17.16	67.0	16.60	63.0	16.25	61.0	15.54	59.0	14.91	54.9	14.42
	5.0	4.1	71.1	16.36	67.0	15.84	63.0	15.54	61.0	14.86	59.0	14.24	54.9	13.73
	7.0	6	71.1	15.57	67.0	15.08	63.0	14.82	61.0	14.18	59.0	13.57	54.9	13.05
9.0	7.9	71.1	15.03	67.0	14.55	63.0	14.30	61.0	13.68	59.0	13.09	54.9	12.59	
11.0	9.8	71.1	14.61	67.0	14.15	63.0	13.90	61.0	13.30	59.0	12.73	54.9	12.24	
13.0	11.8	71.1	14.16	67.0	13.72	63.0	13.48	61.0	12.90	59.0	12.34	54.9	11.87	
15.0	13.7	71.1	13.69	67.0	13.26	63.0	13.03	61.0	12.46	59.0	11.93	54.9	11.47	
90	-24.8	-25	38.7	21.08	38.7	21.22	38.4	21.32	38.4	21.36	38.4	21.45	37.7	21.59
	-21.8	-22	47.0	21.22	47.0	21.36	46.7	21.45	46.7	21.50	46.7	21.59	45.8	20.67
	-19.8	-20	49.6	21.31	49.6	21.45	49.3	21.55	49.3	21.59	49.3	20.97	48.4	20.06
	-18.8	-19	50.9	21.36	50.6	21.49	50.4	21.59	50.4	21.27	50.4	20.65	49.4	19.76
	-16.7	-17	52.8	21.45	52.8	21.59	52.6	20.93	52.6	20.59	52.6	19.99	50.2	19.11
	-13.7	-15	56.3	21.59	56.3	20.60	55.8	19.98	55.8	19.63	54.1	19.06	50.2	18.19
	-11.8	-13	58.1	20.92	57.8	19.98	57.6	19.37	55.9	19.02	54.1	18.46	50.2	17.61
	-9.8	-11	60.1	20.20	60.1	19.32	57.6	18.74	55.9	18.37	54.1	17.84	50.2	17.00
	-9.5	-10	60.4	20.10	60.4	19.22	57.6	18.65	55.9	18.28	54.1	17.74	50.2	16.91
	-8.5	-9.1	61.6	19.74	61.1	18.89	57.6	18.33	55.9	17.95	54.1	17.43	50.2	16.60
	-7.0	-7.6	64.4	19.21	61.2	18.40	57.6	17.85	55.9	17.47	54.1	16.96	50.2	16.14
	-5.0	-5.6	65.1	18.50	61.2	17.74	57.6	17.22	55.9	16.83	54.1	16.33	50.2	15.53
	-3.0	-3.7	65.1	17.79	61.2	17.08	57.6	16.59	55.9	16.18	54.1	15.71	50.2	14.92
	0.0	-0.7	65.1	16.72	61.2	16.10	57.6	15.64	55.9	15.22	54.1	14.77	50.2	14.00
	3.0	2.2	65.1	15.65	61.2	15.11	57.6	14.69	55.9	14.25	54.1	13.83	50.2	13.09
	5.0	4.1	65.1	14.94	61.2	14.45	57.6	14.05	55.9	13.61	54.1	13.20	50.2	12.47
	7.0	6	65.1	14.23	61.2	13.79	57.6	13.42	55.9	12.96	54.1	12.58	50.2	11.86
9.0	7.9	65.1	13.56	61.2	13.14	57.6	12.79	55.9	12.35	54.1	11.98	50.2	11.30	
11.0	9.8	65.1	12.89	61.2	12.49	57.6	12.15	55.9	11.74	54.1	11.39	50.2	10.74	
13.0	11.8	65.1	12.22	61.2	11.84	57.6	11.52	55.9	11.13	54.1	10.80	50.2	10.18	
15.0	13.7	65.1	11.54	61.2	11.19	57.6	10.89	55.9	10.52	54.1	10.20	50.2	9.62	
80	-24.8	-25	38.5	18.64	38.5	18.77	38.3	18.87	38.3	18.92	38.3	19.15	37.5	18.34
	-21.8	-22	46.5	18.77	46.5	18.91	46.5	19.01	46.5	19.15	46.5	18.34	44.9	17.56
	-19.8	-20	49.1	18.87	49.1	19.00	49.1	19.15	49.1	18.58	48.2	17.80	44.9	17.04
	-18.8	-19	50.2	18.91	50.2	19.15	50.2	18.86	50.0	18.29	48.2	17.53	44.9	16.78
	-16.7	-17	51.6	19.15	51.6	18.54	51.6	18.25	50.0	17.69	48.2	16.96	44.9	16.24
	-13.7	-15	51.6	18.26	51.6	17.69	51.6	17.39	50.0	16.84	48.2	16.16	44.9	15.46
	-11.8	-13	52.9	17.69	51.6	17.14	51.6	16.84	50.0	16.30	48.2	15.65	44.9	14.97
	-9.8	-11	55.2	17.10	53.6	16.57	51.6	16.26	50.0	15.73	48.2	15.11	44.9	14.46
	-9.5	-10	55.5	17.01	53.9	16.49	51.6	16.18	50.0	15.64	48.2	15.03	44.9	14.38
	-8.5	-9.1	56.6	16.71	54.9	16.20	51.6	15.89	50.0	15.36	48.2	14.76	44.9	14.12
	-7.0	-7.6	58.3	16.27	54.9	15.77	51.6	15.46	50.0	14.93	48.2	14.35	44.9	13.73
	-5.0	-5.6	58.3	15.68	54.9	15.20	51.6	14.88	50.0	14.36	48.2	13.82	44.9	13.21
	-3.0	-3.7	58.3	15.08	54.9	14.63	51.6	14.30	50.0	13.79	48.2	13.28	44.9	12.70
	0.0	-0.7	58.3	14.20	54.9	13.77	51.6	13.44	50.0	12.94	48.2	12.47	44.9	11.92
	3.0	2.2	58.3	13.31	54.9	12.91	51.6	12.57	50.0	12.08	48.2	11.66	44.9	11.14
	5.0	4.1	58.3	12.71	54.9	12.34	51.6	12.00	50.0	11.52	48.2	11.12	44.9	10.63
	7.0	6	58.3	12.12	54.9	11.77	51.6	11.42	50.0	10.95	48.2	10.59	44.9	10.11
9.0	7.9	58.3	11.38	54.9	11.05	51.6	10.72	50.0	10.28	48.2	9.94	44.9	9.49	
11.0	9.8	58.3	10.56	54.9	10.26	51.6	9.95	50.0	9.54	48.2	9.23	44.9	8.81	
13.0	11.8	58.3	9.86	54.9	9.57	51.6	9.29	50.0	8.90	48.2	8.61	44.9	8.22	
15.0	13.7	58.3	9.28	54.9	9.01	51.6	8.75	50.0	8.38	48.2	8.11	44.9	7.74	

Notes:

1. TC: Total Capacity(kW) PI : Power Input(kW)(Comp. + Outdoor fan motor)
2. Capacity tables show the average value of conditions which may occur.
3. ■ is shown as reference. When selecting the outdoor units, avoid the outdoor air temperature range shown by ■.

7. Capacity Tables

Heating Capacity(20HP)

Combination (%)	Outdoor air temp		Indoor air temp. °C DB											
			16		18		20		21		22		24	
	°C DB	°C WB	TC	PI	TC	PI	TC	PI	TC	PI	TC	PI	TC	PI
70	-24.8	-25	38.5	18.42	38.5	18.47	38.3	18.56	38.3	18.70	38.3	17.82	37.5	16.99
	-21.8	-22	44.2	18.56	44.2	18.61	43.9	18.70	42.4	17.82	41.1	16.99	38.4	16.19
	-19.8	-20	48.0	18.65	46.7	18.70	43.9	18.08	42.4	17.23	41.1	16.44	38.4	15.66
	-18.8	-19	49.4	18.70	46.7	18.38	43.9	17.77	42.4	16.93	41.1	16.16	38.4	15.39
	-16.7	-17	49.4	18.03	46.7	17.71	43.9	17.12	42.4	16.32	41.1	15.59	38.4	14.83
	-13.7	-15	49.4	17.09	46.7	16.75	43.9	16.19	42.4	15.43	41.1	14.76	38.4	14.03
	-11.8	-13	49.4	16.49	46.7	16.14	43.9	15.60	42.4	14.87	41.1	14.24	38.4	13.53
	-9.8	-11	49.4	15.86	46.7	15.50	43.9	14.99	42.4	14.29	41.1	13.69	38.4	13.00
	-9.5	-10	49.4	15.76	46.7	15.40	43.9	14.89	42.4	14.20	41.1	13.61	38.4	12.92
	-8.5	-9.1	49.4	15.45	46.7	15.08	43.9	14.58	42.4	13.90	41.1	13.33	38.4	12.65
	-7.0	-7.6	49.4	14.97	46.7	14.61	43.9	14.12	42.4	13.46	41.1	12.92	38.4	12.25
	-5.0	-5.6	49.4	14.34	46.7	13.97	43.9	13.50	42.4	12.88	41.1	12.37	38.4	11.72
	-3.0	-3.7	49.4	13.71	46.7	13.33	43.9	12.88	42.4	12.29	41.1	11.82	38.4	11.19
	0.0	-0.7	49.4	12.76	46.7	12.37	43.9	11.96	42.4	11.41	41.1	10.99	38.4	10.39
	3.0	2.2	49.4	11.82	46.7	11.41	43.9	11.03	42.4	10.52	41.1	10.17	38.4	9.59
	5.0	4.1	49.4	11.19	46.7	10.77	43.9	10.41	42.4	9.94	41.1	9.62	38.4	9.06
	7.0	6	49.4	10.55	46.7	10.13	43.9	9.79	42.4	9.35	41.1	9.07	38.4	8.52
	9.0	7.9	49.4	9.53	46.7	9.15	43.9	8.84	42.4	8.44	41.1	8.19	38.4	7.70
11.0	9.8	49.4	8.87	46.7	8.52	43.9	8.23	42.4	7.86	41.1	7.62	38.4	7.17	
13.0	11.8	49.4	8.30	46.7	7.97	43.9	7.70	42.4	7.35	41.1	7.13	38.4	6.70	
15.0	13.7	49.4	7.83	46.7	7.51	43.9	7.26	42.4	6.93	41.1	6.72	38.4	6.32	
60	-24.8	-25	37.9	18.26	37.9	18.36	37.6	18.49	36.4	17.54	35.1	16.64	32.9	15.80
	-21.8	-22	40.6	18.40	40.1	18.49	37.6	17.54	36.4	16.64	35.1	15.80	32.9	14.98
	-19.8	-20	42.4	18.49	40.1	17.82	37.6	16.90	36.4	16.04	35.1	15.24	32.9	14.44
	-18.8	-19	42.4	18.15	40.1	17.48	37.6	16.58	36.4	15.74	35.1	14.95	32.9	14.17
	-16.7	-17	42.4	17.44	40.1	16.77	37.6	15.91	36.4	15.12	35.1	14.36	32.9	13.60
	-13.7	-15	42.4	16.41	40.1	15.76	37.6	14.96	36.4	14.22	35.1	13.52	32.9	12.78
	-11.8	-13	42.4	15.77	40.1	15.12	37.6	14.35	36.4	13.65	35.1	12.99	32.9	12.27
	-9.8	-11	42.4	15.09	40.1	14.44	37.6	13.71	36.4	13.05	35.1	12.43	32.9	11.73
	-9.5	-10	42.4	14.98	40.1	14.34	37.6	13.62	36.4	12.96	35.1	12.34	32.9	11.65
	-8.5	-9.1	42.4	14.64	40.1	14.00	37.6	13.30	36.4	12.67	35.1	12.06	32.9	11.37
	-7.0	-7.6	42.4	14.13	40.1	13.50	37.6	12.82	36.4	12.22	35.1	11.64	32.9	10.97
	-5.0	-5.6	42.4	13.45	40.1	12.82	37.6	12.18	36.4	11.62	35.1	11.08	32.9	10.42
	-3.0	-3.7	42.4	12.77	40.1	12.15	37.6	11.55	36.4	11.02	35.1	10.52	32.9	9.88
	0.0	-0.7	42.4	11.75	40.1	11.13	37.6	10.59	36.4	10.13	35.1	9.67	32.9	9.07
	3.0	2.2	42.4	10.72	40.1	10.12	37.6	9.63	36.4	9.23	35.1	8.83	32.9	8.25
	5.0	4.1	42.4	10.04	40.1	9.44	37.6	9.00	36.4	8.63	35.1	8.27	32.9	7.71
	7.0	6	42.4	9.36	40.1	8.77	37.6	8.36	36.4	8.03	35.1	7.71	32.9	7.17
	9.0	7.9	42.4	8.35	40.1	7.82	37.6	7.46	36.4	7.17	35.1	6.88	32.9	6.40
11.0	9.8	42.4	7.80	40.1	7.31	37.6	6.97	36.4	6.69	35.1	6.42	32.9	5.97	
13.0	11.8	42.4	7.31	40.1	6.84	37.6	6.52	36.4	6.27	35.1	6.02	32.9	5.59	
15.0	13.7	42.4	6.91	40.1	6.47	37.6	6.17	36.4	5.93	35.1	5.69	32.9	5.29	
50	-24.8	-25	35.4	15.76	33.4	15.89	31.4	15.06	30.4	14.28	29.3	13.55	27.3	12.86
	-21.8	-22	35.4	15.89	33.4	15.06	31.4	14.28	30.4	13.55	29.3	12.86	27.3	12.20
	-19.8	-20	35.4	15.31	33.4	14.51	31.4	13.76	30.4	13.05	29.3	12.40	27.3	11.76
	-18.8	-19	35.4	15.02	33.4	14.23	31.4	13.50	30.4	12.81	29.3	12.17	27.3	11.54
	-16.7	-17	35.4	14.42	33.4	13.65	31.4	12.96	30.4	12.29	29.3	11.69	27.3	11.07
	-13.7	-15	35.4	13.55	33.4	12.81	31.4	12.18	30.4	11.56	29.3	11.01	27.3	10.41
	-11.8	-13	35.4	13.00	33.4	12.29	31.4	11.69	30.4	11.09	29.3	10.57	27.3	9.99
	-9.8	-11	35.4	12.42	33.4	11.73	31.4	11.17	30.4	10.60	29.3	10.11	27.3	9.55
	-9.5	-10	35.4	12.33	33.4	11.65	31.4	11.09	30.4	10.52	29.3	10.05	27.3	9.49
	-8.5	-9.1	35.4	12.04	33.4	11.37	31.4	10.83	30.4	10.28	29.3	9.82	27.3	9.27
	-7.0	-7.6	35.4	11.61	33.4	10.96	31.4	10.44	30.4	9.91	29.3	9.47	27.3	8.94
	-5.0	-5.6	35.4	11.03	33.4	10.40	31.4	9.92	30.4	9.42	29.3	9.02	27.3	8.49
	-3.0	-3.7	35.4	10.45	33.4	9.85	31.4	9.41	30.4	8.93	29.3	8.56	27.3	8.05
	0.0	-0.7	35.4	9.58	33.4	9.01	31.4	8.63	30.4	8.19	29.3	7.87	27.3	7.39
	3.0	2.2	35.4	8.71	33.4	8.18	31.4	7.85	30.4	7.45	29.3	7.19	27.3	6.73
	5.0	4.1	35.4	8.13	33.4	7.63	31.4	7.33	30.4	6.96	29.3	6.73	27.3	6.29
	7.0	6	35.4	7.55	33.4	7.07	31.4	6.81	30.4	6.47	29.3	6.27	27.3	5.85
	9.0	7.9	35.4	6.82	33.4	6.39	31.4	6.15	30.4	5.84	29.3	5.66	27.3	5.28
11.0	9.8	35.4	6.38	33.4	5.97	31.4	5.75	30.4	5.47	29.3	5.30	27.3	4.94	
13.0	11.8	35.4	5.99	33.4	5.61	31.4	5.40	30.4	5.13	29.3	4.97	27.3	4.64	
15.0	13.7	35.4	5.67	33.4	5.31	31.4	5.11	30.4	4.86	29.3	4.71	27.3	4.39	

Notes:

1. TC: Total Capacity(kW) PI : Power Input(kW)(Comp. + Outdoor fan motor)
2. Capacity tables show the average value of conditions which may occur.
3. ■■■ is shown as reference. When selecting the outdoor units, avoid the outdoor air temperature range shown by ■■■ .

7. Capacity Tables

ARUB220LTE4

Heating Capacity(22HP)

Outdoor Units

Combination (%)	Outdoor air temp		Indoor air temp. °C DB											
			16		18		20		21		22		24	
	°C DB	°C WB	TC	PI	TC	PI	TC	PI	TC	PI	TC	PI	TC	PI
130	-24.8	-25	44.3	21.7	44.3	22.07	44.0	22.35	44.0	22.77	44.0	23.18	43.4	23.82
	-21.8	-22	53.1	22.39	53.1	22.71	52.8	22.99	52.8	23.41	52.8	23.82	52.1	24.47
	-19.8	-20	55.7	22.81	55.7	23.13	55.3	23.41	55.3	23.85	55.3	24.26	54.6	24.90
	-18.8	-19	56.9	23.03	56.9	23.35	56.5	23.63	56.5	24.06	56.5	24.47	55.7	25.11
	-16.7	-17	59.3	23.48	59.3	23.80	58.9	24.08	58.9	24.51	58.9	24.91	58.0	25.57
	-13.7	-15	62.7	24.12	62.7	24.45	62.4	24.72	62.4	25.16	62.4	25.57	61.4	24.31
	-11.8	-13	64.7	24.53	64.7	24.85	64.3	25.13	64.3	25.57	64.3	24.70	63.6	23.51
	-9.8	-11	66.7	24.96	66.7	25.29	66.2	25.57	66.2	24.61	66.2	23.78	65.5	22.66
	-9.5	-10	67.1	25.03	67.1	25.35	66.7	25.41	66.7	24.47	66.6	23.64	65.9	22.54
	-8.5	-9.1	68.6	25.24	68.6	25.57	68.2	24.90	68.2	23.99	67.6	23.19	66.9	22.12
	-7.0	-7.6	70.9	25.57	70.9	24.80	70.4	24.15	70.4	23.27	70.4	22.50	69.0	21.50
	-5.0	-5.6	73.9	24.51	73.9	23.76	73.4	23.14	73.4	22.32	73.4	21.59	71.2	20.65
	-3.0	-3.7	77.0	23.46	77.0	22.74	76.4	22.14	76.4	21.36	76.4	20.67	73.5	19.81
	0.0	-0.7	81.4	21.88	81.4	21.20	81.0	20.63	81.0	19.94	81.0	19.31	76.6	18.55
	3.0	2.2	85.9	20.30	85.9	19.66	85.4	19.11	85.4	18.50	83.9	17.93	77.9	17.30
	5.0	4.1	88.4	19.25	88.4	18.63	88.0	18.11	86.8	17.55	84.0	17.01	78.3	16.46
	7.0	6	89.6	18.20	89.6	17.60	89.2	17.10	87.1	16.60	84.0	16.10	78.3	15.62
	9.0	7.9	89.6	17.29	89.6	16.74	89.3	16.24	87.1	15.78	84.0	15.30	78.3	14.84
11.0	9.8	89.6	16.53	89.6	15.99	89.3	15.53	87.1	15.08	84.0	14.63	78.3	14.19	
13.0	11.8	89.6	15.72	89.6	15.21	89.3	14.77	87.1	14.34	84.0	13.92	78.3	13.50	
15.0	13.7	89.6	14.87	89.6	14.39	89.3	13.97	87.1	13.57	84.0	13.16	78.3	12.77	
120	-24.8	-25	44.0	22.07	44.0	22.35	43.7	22.77	43.7	23.18	43.7	23.82	43.1	24.27
	-21.8	-22	52.8	22.71	52.8	22.99	52.4	23.41	52.4	23.82	52.4	24.47	51.7	24.91
	-19.8	-20	55.3	23.13	55.3	23.41	55.0	23.85	55.0	24.26	55.0	24.90	54.2	25.35
	-18.8	-19	56.5	23.35	56.5	23.63	56.1	24.06	56.1	24.47	56.1	25.11	55.3	25.57
	-16.7	-17	58.9	23.80	58.9	24.08	58.5	24.51	58.5	24.91	58.5	25.57	57.6	24.76
	-13.7	-15	62.2	24.45	62.2	24.72	61.9	25.16	61.9	25.57	61.9	24.34	61.0	23.60
	-11.8	-13	64.2	24.85	64.2	25.13	63.8	25.57	63.8	24.69	63.8	23.56	63.1	22.87
	-9.8	-11	66.2	25.29	66.2	25.57	65.8	24.58	65.8	23.77	65.8	22.75	65.1	22.10
	-9.5	-10	66.7	25.35	66.7	25.40	66.3	24.44	66.3	23.63	66.3	22.63	65.5	21.98
	-8.5	-9.1	68.2	25.57	68.2	24.88	67.7	23.95	67.7	23.17	67.6	22.22	66.8	21.59
	-7.0	-7.6	70.4	24.75	70.4	24.09	70.0	23.21	70.0	22.48	69.4	21.60	68.5	21.01
	-5.0	-5.6	73.4	23.66	73.4	23.03	72.9	22.24	72.9	21.57	72.9	20.79	70.8	20.24
	-3.0	-3.7	76.4	22.58	76.4	21.97	75.9	21.26	75.9	20.65	75.9	19.98	72.4	19.47
	0.0	-0.7	80.8	20.95	80.8	20.39	80.3	19.79	80.3	19.27	78.9	18.76	73.5	18.31
	3.0	2.2	85.3	19.33	85.3	18.81	83.9	18.32	81.6	17.88	78.9	17.53	73.5	17.16
	5.0	4.1	87.8	18.24	87.3	17.75	84.5	17.34	81.6	16.97	79.1	16.71	73.5	16.39
	7.0	6	88.9	17.15	88.0	16.69	84.5	16.36	81.6	16.05	79.1	15.90	73.5	15.62
	9.0	7.9	88.9	16.30	88.0	15.85	84.5	15.53	81.6	15.24	79.1	15.10	73.5	14.83
11.0	9.8	88.9	15.56	88.0	15.14	84.5	14.84	81.6	14.55	79.1	14.41	73.5	14.16	
13.0	11.8	88.9	14.78	88.0	14.39	84.5	14.10	81.6	13.83	79.1	13.70	73.5	13.45	
15.0	13.7	88.9	13.97	88.0	13.58	84.5	13.32	81.6	13.06	79.1	12.95	73.5	12.71	
110	-24.8	-25	43.7	22.35	43.7	22.77	43.5	23.18	43.5	23.82	43.5	24.27	42.9	24.49
	-21.8	-22	52.5	22.99	52.5	23.41	52.2	23.82	52.2	24.47	52.2	24.91	51.5	25.13
	-19.8	-20	55.0	23.41	55.0	23.85	54.7	24.26	54.7	24.90	54.7	25.35	53.9	25.57
	-18.8	-19	56.1	23.63	56.1	24.06	55.8	24.47	55.8	25.11	55.8	25.57	55.0	25.16
	-16.7	-17	58.6	24.08	58.6	24.51	58.2	24.91	58.2	25.57	58.2	24.71	57.3	24.29
	-13.7	-15	62.0	24.72	62.0	25.16	61.5	25.57	61.5	24.26	61.5	23.48	61.5	23.06
	-11.8	-13	63.9	25.13	63.9	25.57	63.4	24.63	63.4	23.43	63.4	22.71	63.4	22.29
	-9.8	-11	65.8	25.57	65.8	24.50	65.5	23.66	65.5	22.56	65.5	21.89	64.9	21.47
	-9.5	-10	66.3	25.38	66.3	24.35	65.9	23.51	65.9	22.43	65.9	21.78	65.6	21.35
	-8.5	-9.1	67.8	24.81	67.8	23.82	67.3	23.02	67.3	22.00	67.3	21.37	66.2	20.94
	-7.0	-7.6	70.0	23.95	70.0	23.02	69.6	22.29	69.6	21.34	69.6	20.75	66.2	20.32
	-5.0	-5.6	73.0	22.79	73.0	21.97	72.5	21.31	72.5	20.48	70.8	19.95	66.2	19.50
	-3.0	-3.7	75.9	21.64	75.9	20.91	75.3	20.33	73.3	19.60	70.8	19.13	66.2	18.69
	0.0	-0.7	80.4	19.90	80.0	19.32	75.7	18.86	73.3	18.30	70.8	17.91	66.2	17.46
	3.0	2.2	84.4	18.16	80.7	17.73	75.7	17.40	73.3	17.00	70.8	16.68	66.2	16.23
	5.0	4.1	85.4	17.01	80.7	16.68	75.7	16.42	73.3	16.12	70.8	15.88	66.2	15.41
	7.0	6	85.4	15.86	80.7	15.62	75.7	15.45	73.3	15.26	70.8	15.06	66.2	14.59
	9.0	7.9	85.4	15.00	80.7	14.78	75.7	14.61	73.3	14.43	70.8	14.25	66.2	13.81
11.0	9.8	85.4	14.26	80.7	14.05	75.7	13.89	73.3	13.72	70.8	13.55	66.2	13.13	
13.0	11.8	85.4	13.49	80.7	13.28	75.7	13.13	73.3	12.98	70.8	12.81	66.2	12.41	
15.0	13.7	85.4	12.67	80.7	12.47	75.7	12.34	73.3	12.19	70.8	12.04	66.2	11.66	

Notes:

1. TC: Total Capacity(kW) PI : Power Input(kW)(Comp. + Outdoor fan motor)
2. Capacity tables show the average value of conditions which may occur.
3. ■ is shown as reference. When selecting the outdoor units, avoid the outdoor air temperature range shown by ■.

7. Capacity Tables

Heating Capacity(22HP)

Combination (%)	Outdoor air temp		Indoor air temp. °C DB											
			16		18		20		21		22		24	
	°C DB	°C WB	TC	PI	TC	PI	TC	PI	TC	PI	TC	PI	TC	PI
100	-24.8	-25	43.5	24.32	43.5	24.49	43.3	23.69	43.3	24.89	43.3	25.06	42.7	25.15
	-21.8	-22	52.2	24.57	52.2	24.73	52.0	24.44	52.0	25.14	52.0	25.59	51.2	25.40
	-19.8	-20	54.8	24.73	54.8	24.90	54.4	24.93	54.4	25.30	54.4	25.58	53.7	25.57
	-18.8	-19	55.9	24.81	55.5	24.98	55.5	25.14	55.5	25.39	55.5	25.57	54.8	25.09
	-16.7	-17	58.0	25.00	58.0	25.15	58.0	25.59	57.6	25.57	57.6	24.57	56.7	24.10
	-13.7	-15	61.6	25.24	61.6	25.40	61.3	25.57	61.3	24.09	61.3	23.15	60.5	22.68
	-11.8	-13	63.5	25.40	63.2	25.57	63.2	24.56	63.2	23.16	63.2	22.25	60.5	21.78
	-9.8	-11	65.5	25.57	65.5	24.43	65.2	23.50	65.2	22.19	64.9	21.31	60.5	20.82
	-9.5	-10	66.0	25.38	66.0	24.26	65.6	23.34	65.6	22.05	64.9	21.17	60.5	20.68
	-8.5	-9.1	67.5	24.77	67.5	23.69	67.1	22.81	67.1	21.55	64.9	20.70	60.5	20.21
	-7.0	-7.6	70.8	23.86	70.5	22.83	69.3	22.02	67.1	20.82	64.9	19.98	60.5	19.50
	-5.0	-5.6	73.9	22.65	73.2	21.69	69.3	20.96	67.1	19.84	64.9	19.04	60.5	18.55
	-3.0	-3.7	76.1	21.43	73.7	20.56	69.3	19.90	67.1	18.86	64.9	18.10	60.5	17.60
	0.0	-0.7	78.1	19.60	73.7	18.85	69.3	18.31	67.1	17.40	64.9	16.68	60.5	16.18
	3.0	2.2	78.1	17.78	73.7	17.14	69.3	16.73	67.1	15.94	64.9	15.26	60.5	14.76
	5.0	4.1	78.1	16.57	73.7	16.01	69.3	15.67	67.1	14.96	64.9	14.32	60.5	13.81
	7.0	6	78.1	15.35	73.7	14.87	69.3	14.61	67.1	13.98	64.9	13.37	60.5	12.86
	9.0	7.9	78.1	14.28	73.7	13.83	69.3	13.59	67.1	13.00	64.9	12.44	60.5	11.96
11.0	9.8	78.1	13.30	73.7	12.89	69.3	12.66	67.1	12.11	64.9	11.59	60.5	11.15	
13.0	11.8	78.1	12.29	73.7	11.91	69.3	11.70	67.1	11.19	64.9	10.71	60.5	10.30	
15.0	13.7	78.1	11.22	73.7	10.87	69.3	10.68	67.1	10.22	64.9	9.77	60.5	9.40	
90	-24.8	-25	43.3	21.88	43.3	22.53	43.1	22.98	43.1	23.18	43.1	23.62	42.5	24.26
	-21.8	-22	52.0	22.53	52.0	23.17	51.8	23.62	51.8	23.84	51.8	24.26	51.0	23.08
	-19.8	-20	54.6	22.95	54.6	23.59	54.2	24.04	54.2	24.26	54.2	23.44	53.5	22.28
	-18.8	-19	55.9	23.17	55.5	23.81	55.3	24.26	55.3	23.84	55.3	23.02	54.5	21.90
	-16.7	-17	58.0	23.62	58.0	24.26	57.7	23.36	57.7	22.93	57.7	22.16	55.2	21.06
	-13.7	-15	61.6	24.26	61.6	22.92	61.1	22.08	60.9	21.65	59.4	20.93	55.2	19.88
	-11.8	-13	63.5	23.32	63.2	22.06	62.9	21.27	61.4	20.83	59.4	20.14	55.2	19.12
	-9.8	-11	65.5	22.33	65.5	21.16	63.4	20.41	61.4	19.98	59.4	19.32	55.2	18.34
	-9.5	-10	66.0	22.18	66.0	21.03	63.4	20.29	61.4	19.84	59.4	19.19	55.2	18.21
	-8.5	-9.1	67.5	21.69	66.9	20.57	63.4	19.86	61.4	19.42	59.4	18.79	55.2	17.82
	-7.0	-7.6	70.8	20.95	67.3	19.89	63.4	19.22	61.4	18.78	59.4	18.17	55.2	17.23
	-5.0	-5.6	71.5	19.96	67.3	18.99	63.4	18.36	61.4	17.92	59.4	17.34	55.2	16.43
	-3.0	-3.7	71.5	18.98	67.3	18.09	63.4	17.50	61.4	17.06	59.4	16.52	55.2	15.65
	0.0	-0.7	71.5	17.49	67.3	16.75	63.4	16.22	61.4	15.78	59.4	15.28	55.2	14.46
	3.0	2.2	71.5	16.01	67.3	15.40	63.4	14.94	61.4	14.49	59.4	14.05	55.2	13.27
	5.0	4.1	71.5	15.02	67.3	14.50	63.4	14.08	61.4	13.63	59.4	13.22	55.2	12.49
	7.0	6	71.5	14.03	67.3	13.60	63.4	13.23	61.4	12.78	59.4	12.40	55.2	11.69
	9.0	7.9	71.5	13.13	67.3	12.72	63.4	12.38	61.4	11.95	59.4	11.60	55.2	10.94
11.0	9.8	71.5	12.21	67.3	11.84	63.4	11.52	61.4	11.13	59.4	10.80	55.2	10.19	
13.0	11.8	71.5	11.31	67.3	10.96	63.4	10.67	61.4	10.30	59.4	10.00	55.2	9.42	
15.0	13.7	71.5	10.40	67.3	10.08	63.4	9.81	61.4	9.48	59.4	9.19	55.2	8.67	
80	-24.8	-25	43.2	19.13	43.2	19.77	42.9	20.22	42.9	20.44	42.9	21.52	42.3	20.47
	-21.8	-22	51.5	19.77	51.5	20.41	51.5	20.87	51.5	21.52	51.5	20.47	49.3	19.47
	-19.8	-20	54.0	20.21	54.0	20.85	54.0	21.52	53.7	20.77	52.8	19.77	49.3	18.82
	-18.8	-19	55.1	20.41	55.1	21.52	55.1	21.13	54.4	20.39	53.0	19.43	49.3	18.49
	-16.7	-17	56.7	21.52	56.7	20.70	56.7	20.33	55.0	19.61	53.0	18.69	49.3	17.79
	-13.7	-15	56.7	20.31	56.7	19.55	56.7	19.18	55.0	18.50	53.0	17.65	49.3	16.80
	-11.8	-13	58.4	19.54	56.9	18.83	56.7	18.45	55.0	17.79	53.0	16.98	49.3	16.17
	-9.8	-11	60.8	18.73	59.1	18.06	56.7	17.69	55.0	17.04	53.0	16.29	49.3	15.52
	-9.5	-10	61.1	18.61	59.4	17.94	56.7	17.58	55.0	16.93	53.0	16.18	49.3	15.41
	-8.5	-9.1	62.4	18.20	60.5	17.55	56.7	17.19	55.0	16.57	53.0	15.83	49.3	15.09
	-7.0	-7.6	64.1	17.60	60.5	16.98	56.7	16.61	55.0	16.00	53.0	15.31	49.3	14.59
	-5.0	-5.6	64.1	16.79	60.5	16.21	56.7	15.85	55.0	15.26	53.0	14.62	49.3	13.93
	-3.0	-3.7	64.1	15.98	60.5	15.45	56.7	15.08	55.0	14.51	53.0	13.92	49.3	13.27
	0.0	-0.7	64.1	14.77	60.5	14.29	56.7	13.94	55.0	13.40	53.0	12.87	49.3	12.28
	3.0	2.2	64.1	13.56	60.5	13.14	56.7	12.79	55.0	12.28	53.0	11.83	49.3	11.28
	5.0	4.1	64.1	12.76	60.5	12.37	56.7	12.03	55.0	11.53	53.0	11.13	49.3	10.63
	7.0	6	64.1	11.95	60.5	11.60	56.7	11.26	55.0	10.80	53.0	10.44	49.3	9.96
	9.0	7.9	64.1	11.21	60.5	10.90	56.7	10.57	55.0	10.13	53.0	9.80	49.3	9.36
11.0	9.8	64.1	10.42	60.5	10.11	56.7	9.81	55.0	9.41	53.0	9.10	49.3	8.69	
13.0	11.8	64.1	9.72	60.5	9.44	56.7	9.16	55.0	8.78	53.0	8.49	49.3	8.10	
15.0	13.7	64.1	9.15	60.5	8.88	56.7	8.62	55.0	8.26	53.0	7.99	49.3	7.63	

Notes:

1. TC: Total Capacity(kW) PI : Power Input(kW)(Comp. + Outdoor fan motor)
2. Capacity tables show the average value of conditions which may occur.
3. ■■■ is shown as reference. When selecting the outdoor units, avoid the outdoor air temperature range shown by ■■■ .

7. Capacity Tables

Heating Capacity(22HP)

Outdoor Units

Combination (%)	Outdoor air temp		Indoor air temp. °C DB											
			16		18		20		21		22		24	
	°C DB	°C WB	TC	PI	TC	PI	TC	PI	TC	PI	TC	PI	TC	PI
70	-24.8	-25	43.2	19.57	43.2	19.78	42.9	20.21	42.9	20.85	42.9	19.75	42.2	18.73
	-21.8	-22	48.6	20.21	48.6	20.42	48.2	20.85	46.6	19.75	45.3	18.73	42.2	17.76
	-19.8	-20	52.2	20.64	51.3	20.85	48.2	20.08	46.6	19.02	45.3	18.05	42.2	17.11
	-18.8	-19	53.7	20.85	51.3	20.44	48.2	19.69	46.6	18.65	45.3	17.71	42.2	16.78
	-16.7	-17	54.3	20.00	51.3	19.60	48.2	18.87	46.6	17.89	45.3	17.00	42.2	16.11
	-13.7	-15	54.3	18.79	51.3	18.38	48.2	17.70	46.6	16.79	45.3	15.97	42.2	15.13
	-11.8	-13	54.3	18.01	51.3	17.61	48.2	16.96	46.6	16.09	45.3	15.33	42.2	14.51
	-9.8	-11	54.3	17.20	51.3	16.80	48.2	16.19	46.6	15.36	45.3	14.66	42.2	13.86
	-9.5	-10	54.3	17.09	51.3	16.68	48.2	16.07	46.6	15.25	45.3	14.55	42.2	13.76
	-8.5	-9.1	54.3	16.68	51.3	16.27	48.2	15.68	46.6	14.89	45.3	14.21	42.2	13.44
	-7.0	-7.6	54.3	16.08	51.3	15.67	48.2	15.09	46.6	14.34	45.3	13.70	42.2	12.95
	-5.0	-5.6	54.3	15.27	51.3	14.86	48.2	14.32	46.6	13.61	45.3	13.02	42.2	12.30
	-3.0	-3.7	54.3	14.45	51.3	14.04	48.2	13.54	46.6	12.88	45.3	12.34	42.2	11.65
	0.0	-0.7	54.3	13.24	51.3	12.82	48.2	12.38	46.6	11.78	45.3	11.32	42.2	10.67
	3.0	2.2	54.3	12.02	51.3	11.61	48.2	11.21	46.6	10.68	45.3	10.30	42.2	9.70
	5.0	4.1	54.3	11.21	51.3	10.80	48.2	10.43	46.6	9.95	45.3	9.62	42.2	9.05
	7.0	6	54.3	10.40	51.3	9.99	48.2	9.65	46.6	9.22	45.3	8.94	42.2	8.40
	9.0	7.9	54.3	9.39	51.3	9.02	48.2	8.72	46.6	8.32	45.3	8.07	42.2	7.59
11.0	9.8	54.3	8.75	51.3	8.40	48.2	8.12	46.6	7.75	45.3	7.52	42.2	7.07	
13.0	11.8	54.3	8.19	51.3	7.86	48.2	7.59	46.6	7.25	45.3	7.03	42.2	6.61	
15.0	13.7	54.3	7.71	51.3	7.40	48.2	7.16	46.6	6.83	45.3	6.63	42.2	6.23	
60	-24.8	-25	41.6	19.14	41.6	19.57	41.4	20.21	40.0	19.08	38.7	18.03	36.1	17.04
	-21.8	-22	44.6	19.78	44.2	20.21	41.4	19.08	40.0	18.03	38.7	17.04	36.1	16.11
	-19.8	-20	46.6	20.21	44.2	19.41	41.4	18.33	40.0	17.33	38.7	16.38	36.1	15.47
	-18.8	-19	46.6	19.80	44.2	19.00	41.4	17.95	40.0	16.97	38.7	16.06	36.1	15.16
	-16.7	-17	46.6	18.94	44.2	18.16	41.4	17.16	40.0	16.23	38.7	15.37	36.1	14.50
	-13.7	-15	46.6	17.71	44.2	16.95	41.4	16.04	40.0	15.18	38.7	14.38	36.1	13.56
	-11.8	-13	46.6	16.94	44.2	16.19	41.4	15.32	40.0	14.52	38.7	13.76	36.1	12.96
	-9.8	-11	46.6	16.11	44.2	15.40	41.4	14.56	40.0	13.82	38.7	13.11	36.1	12.34
	-9.5	-10	46.6	15.99	44.2	15.27	41.4	14.45	40.0	13.71	38.7	13.01	36.1	12.25
	-8.5	-9.1	46.6	15.58	44.2	14.87	41.4	14.07	40.0	13.36	38.7	12.69	36.1	11.92
	-7.0	-7.6	46.6	14.97	44.2	14.27	41.4	13.51	40.0	12.83	38.7	12.19	36.1	11.46
	-5.0	-5.6	46.6	14.14	44.2	13.46	41.4	12.76	40.0	12.13	38.7	11.53	36.1	10.83
	-3.0	-3.7	46.6	13.32	44.2	12.66	41.4	12.00	40.0	11.43	38.7	10.88	36.1	10.20
	0.0	-0.7	46.6	12.10	44.2	11.46	41.4	10.88	40.0	10.38	38.7	9.90	36.1	9.27
	3.0	2.2	46.6	10.87	44.2	10.25	41.4	9.75	40.0	9.33	38.7	8.91	36.1	8.32
	5.0	4.1	46.6	10.05	44.2	9.45	41.4	9.00	40.0	8.63	38.7	8.25	36.1	7.69
	7.0	6	46.6	9.23	44.2	8.65	41.4	8.24	40.0	7.92	38.7	7.60	36.1	7.07
	9.0	7.9	46.6	8.24	44.2	7.71	41.4	7.35	40.0	7.07	38.7	6.78	36.1	6.30
11.0	9.8	46.6	7.69	44.2	7.21	41.4	6.87	40.0	6.60	38.7	6.33	36.1	5.89	
13.0	11.8	46.6	7.21	44.2	6.75	41.4	6.44	40.0	6.18	38.7	5.93	36.1	5.51	
15.0	13.7	46.6	6.81	44.2	6.37	41.4	6.08	40.0	5.84	38.7	5.60	36.1	5.22	
50	-24.8	-25	38.9	17.22	36.7	17.86	34.5	16.84	33.4	15.88	32.3	14.98	30.1	14.15
	-21.8	-22	38.9	17.86	36.7	16.84	34.5	15.88	33.4	14.98	32.3	14.15	30.1	13.36
	-19.8	-20	38.9	17.14	36.7	16.15	34.5	15.24	33.4	14.38	32.3	13.60	30.1	12.84
	-18.8	-19	38.9	16.78	36.7	15.81	34.5	14.93	33.4	14.09	32.3	13.32	30.1	12.57
	-16.7	-17	38.9	16.02	36.7	15.09	34.5	14.25	33.4	13.46	32.3	12.74	30.1	12.01
	-13.7	-15	38.9	14.93	36.7	14.06	34.5	13.30	33.4	12.56	32.3	11.91	30.1	11.23
	-11.8	-13	38.9	14.24	36.7	13.41	34.5	12.70	33.4	11.99	32.3	11.38	30.1	10.72
	-9.8	-11	38.9	13.52	36.7	12.73	34.5	12.06	33.4	11.40	32.3	10.83	30.1	10.19
	-9.5	-10	38.9	13.41	36.7	12.62	34.5	11.96	33.4	11.31	32.3	10.75	30.1	10.12
	-8.5	-9.1	38.9	13.05	36.7	12.28	34.5	11.64	33.4	11.00	32.3	10.47	30.1	9.85
	-7.0	-7.6	38.9	12.51	36.7	11.76	34.5	11.17	33.4	10.56	32.3	10.05	30.1	9.46
	-5.0	-5.6	38.9	11.78	36.7	11.08	34.5	10.53	33.4	9.96	32.3	9.50	30.1	8.93
	-3.0	-3.7	38.9	11.06	36.7	10.39	34.5	9.90	33.4	9.37	32.3	8.95	30.1	8.40
	0.0	-0.7	38.9	9.98	36.7	9.37	34.5	8.94	33.4	8.47	32.3	8.12	30.1	7.61
	3.0	2.2	38.9	8.89	36.7	8.34	34.5	7.99	33.4	7.57	32.3	7.29	30.1	6.82
	5.0	4.1	38.9	8.17	36.7	7.66	34.5	7.35	33.4	6.98	32.3	6.74	30.1	6.29
	7.0	6	38.9	7.45	36.7	6.97	34.5	6.71	33.4	6.38	32.3	6.18	30.1	5.77
	9.0	7.9	38.9	6.73	36.7	6.30	34.5	6.06	33.4	5.76	32.3	5.58	30.1	5.20
11.0	9.8	38.9	6.29	36.7	5.89	34.5	5.67	33.4	5.39	32.3	5.22	30.1	4.87	
13.0	11.8	38.9	5.91	36.7	5.53	34.5	5.32	33.4	5.06	32.3	4.91	30.1	4.57	
15.0	13.7	38.9	5.59	36.7	5.23	34.5	5.04	33.4	4.79	32.3	4.64	30.1	4.33	

Notes:

1. TC: Total Capacity(kW) PI : Power Input(kW)(Comp. + Outdoor fan motor)
2. Capacity tables show the average value of conditions which may occur.
3. ■■■ is shown as reference. When selecting the outdoor units, avoid the outdoor air temperature range shown by ■■■ .

7. Capacity Tables

ARUB240LTE4

Heating Capacity(24HP)

Combination (%)	Outdoor air temp		Indoor air temp. °C DB											
			16		18		20		21		22		24	
	°C DB	°C WB	TC	PI	TC	PI	TC	PI	TC	PI	TC	PI	TC	PI
130	-24.8	-25	47.8	23.5	47.8	24.00	47.6	24.38	47.6	24.96	47.6	25.52	47.4	26.40
	-21.8	-22	56.8	24.44	56.8	24.88	56.4	25.26	56.4	25.84	56.4	26.40	56.2	27.30
	-19.8	-20	59.2	25.02	59.2	25.46	58.8	25.84	58.8	26.44	58.8	27.00	58.6	27.88
	-18.8	-19	60.6	25.32	60.6	25.76	60.2	26.14	60.2	26.74	60.2	27.30	60.0	28.18
	-16.7	-17	63.6	25.94	63.6	26.38	63.2	26.76	63.2	27.34	63.2	27.90	62.8	28.80
	-13.7	-15	67.8	26.82	67.8	27.26	67.4	27.64	67.4	28.24	67.4	28.80	67.0	27.46
	-11.8	-13	70.0	27.38	70.0	27.82	69.6	28.20	69.6	28.80	69.6	27.88	69.6	26.60
	-9.8	-11	72.4	27.96	72.4	28.42	71.8	28.80	71.8	27.78	71.8	26.90	71.8	25.70
	-9.5	-10	72.8	28.06	72.8	28.50	72.4	28.64	72.4	27.64	72.2	26.76	72.2	25.58
	-8.5	-9.1	74.6	28.36	74.6	28.80	74.2	28.10	74.2	27.14	73.4	26.28	73.4	25.12
	-7.0	-7.6	77.4	28.80	77.4	28.00	76.8	27.32	76.8	26.38	76.8	25.54	76.4	24.46
	-5.0	-5.6	81.0	27.70	81.0	26.92	80.4	26.26	80.4	25.38	80.4	24.58	79.0	23.56
	-3.0	-3.7	84.6	26.62	84.6	25.86	84.0	25.20	84.0	24.36	84.0	23.60	81.8	22.66
	0.0	-0.7	89.8	25.00	89.8	24.26	89.4	23.62	89.4	22.86	89.4	22.16	85.4	21.32
	3.0	2.2	95.2	23.36	95.2	22.64	94.6	22.02	94.6	21.34	91.6	20.70	85.4	19.98
	5.0	4.1	97.8	22.28	97.8	21.58	97.4	20.98	95.0	20.34	91.6	19.72	85.4	19.10
	7.0	6	97.8	21.20	97.8	20.50	97.4	19.92	95.0	19.34	91.6	18.76	85.4	18.20
9.0	7.9	97.8	20.26	97.8	19.62	97.4	19.04	95.0	18.50	91.6	17.94	85.4	17.40	
11.0	9.8	97.8	19.52	97.8	18.88	97.4	18.34	95.0	17.80	91.6	17.28	85.4	16.76	
13.0	11.8	97.8	18.70	97.8	18.10	97.4	17.58	95.0	17.06	91.6	16.56	85.4	16.06	
15.0	13.7	97.8	17.86	97.8	17.28	97.4	16.78	95.0	16.30	91.6	15.80	85.4	15.34	
120	-24.8	-25	47.6	24.00	47.6	24.38	47.2	24.96	47.2	25.52	47.2	26.40	47.0	27.02
	-21.8	-22	56.4	24.88	56.4	25.26	56.0	25.84	56.0	26.40	56.0	27.30	55.8	27.90
	-19.8	-20	58.8	25.46	58.8	25.84	58.4	26.44	58.4	27.00	58.4	27.88	58.2	28.50
	-18.8	-19	60.2	25.76	60.2	26.14	59.8	26.74	59.8	27.30	59.8	28.18	59.6	28.80
	-16.7	-17	63.2	26.38	63.2	26.76	62.8	27.34	62.8	27.90	62.8	28.80	62.4	27.94
	-13.7	-15	67.2	27.26	67.2	27.64	66.8	28.24	66.8	28.80	66.8	27.50	66.6	26.70
	-11.8	-13	69.4	27.82	69.4	28.20	69.0	28.80	69.0	27.86	69.0	26.66	69.0	25.92
	-9.8	-11	71.8	28.42	71.8	28.80	71.4	27.76	71.4	26.90	71.4	25.80	71.4	25.10
	-9.5	-10	72.4	28.50	72.4	28.62	72.0	27.60	72.0	26.74	72.0	25.68	72.0	24.98
	-8.5	-9.1	74.2	28.80	74.2	28.08	73.6	27.08	73.6	26.26	73.6	25.24	73.6	24.56
	-7.0	-7.6	76.8	27.94	76.8	27.24	76.4	26.30	76.4	25.52	76.0	24.58	75.8	23.94
	-5.0	-5.6	80.4	26.80	80.4	26.12	79.8	25.28	79.8	24.56	79.8	23.72	78.6	23.12
	-3.0	-3.7	84.0	25.66	84.0	25.00	83.4	24.24	83.4	23.58	83.4	22.86	80.2	22.30
	0.0	-0.7	89.2	23.96	89.2	23.34	88.6	22.68	88.6	22.12	86.2	21.56	80.2	21.06
	3.0	2.2	94.6	22.26	94.6	21.68	92.2	21.14	89.0	20.64	86.2	20.26	80.2	19.84
	5.0	4.1	97.0	21.12	96.0	20.56	92.2	20.10	89.0	19.68	86.2	19.38	80.2	19.02
	7.0	6	97.0	19.98	96.0	19.44	92.2	19.06	89.0	18.70	86.2	18.52	80.2	18.20
9.0	7.9	97.0	19.10	96.0	18.58	92.2	18.20	89.0	17.86	86.2	17.70	80.2	17.38	
11.0	9.8	97.0	18.36	96.0	17.86	92.2	17.50	89.0	17.16	86.2	17.00	80.2	16.70	
13.0	11.8	97.0	17.56	96.0	17.10	92.2	16.76	89.0	16.44	86.2	16.28	80.2	15.98	
15.0	13.7	97.0	16.74	96.0	16.28	92.2	15.96	89.0	15.66	86.2	15.52	80.2	15.24	
110	-24.8	-25	47.2	24.38	47.2	24.96	47.0	25.52	47.0	26.40	47.0	27.02	46.8	27.32
	-21.8	-22	56.2	25.26	56.2	25.84	55.8	26.40	55.8	27.30	55.8	27.90	55.6	28.20
	-19.8	-20	58.4	25.84	58.4	26.44	58.2	27.00	58.2	27.88	58.2	28.50	57.8	28.80
	-18.8	-19	59.8	26.14	59.8	26.74	59.4	27.30	59.4	28.18	59.4	28.80	59.2	28.36
	-16.7	-17	62.8	26.76	62.8	27.34	62.4	27.90	62.4	28.80	62.4	27.88	62.0	27.42
	-13.7	-15	67.0	27.64	67.0	28.24	66.4	28.80	66.4	27.40	66.4	26.56	66.4	26.10
	-11.8	-13	69.2	28.20	69.2	28.80	68.6	27.80	68.6	26.52	68.6	25.74	68.6	25.28
	-9.8	-11	71.4	28.80	71.4	27.66	71.0	26.76	71.0	25.58	71.0	24.86	71.0	24.40
	-9.5	-10	72.0	28.60	72.0	27.50	71.6	26.60	71.6	25.44	71.6	24.74	71.6	24.26
	-8.5	-9.1	73.8	28.00	73.8	26.94	73.2	26.08	73.2	24.98	73.2	24.30	72.2	23.82
	-7.0	-7.6	76.4	27.08	76.4	26.08	76.0	25.30	76.0	24.28	76.0	23.64	72.2	23.16
	-5.0	-5.6	80.0	25.84	80.0	24.96	79.4	24.26	79.4	23.36	77.2	22.78	72.2	22.28
	-3.0	-3.7	83.4	24.62	83.4	23.84	82.6	23.20	80.0	22.42	77.2	21.90	72.2	21.40
	0.0	-0.7	88.8	22.78	88.0	22.14	82.6	21.64	80.0	21.02	77.2	20.60	72.2	20.08
	3.0	2.2	93.2	20.92	88.0	20.44	82.6	20.08	80.0	19.64	77.2	19.28	72.2	18.76
	5.0	4.1	93.2	19.70	88.0	19.32	82.6	19.04	80.0	18.70	77.2	18.42	72.2	17.88
	7.0	6	93.2	18.48	88.0	18.20	82.6	18.00	80.0	17.78	77.2	17.54	72.2	17.00
9.0	7.9	93.2	17.58	88.0	17.32	82.6	17.12	80.0	16.90	77.2	16.70	72.2	16.18	
11.0	9.8	93.2	16.82	88.0	16.56	82.6	16.38	80.0	16.18	77.2	15.98	72.2	15.48	
13.0	11.8	93.2	16.02	88.0	15.78	82.6	15.60	80.0	15.42	77.2	15.22	72.2	14.74	
15.0	13.7	93.2	15.18	88.0	14.94	82.6	14.78	80.0	14.60	77.2	14.42	72.2	13.96	

Outdoor Units

Notes:

1. TC: Total Capacity(kW) PI : Power Input(kW)(Comp. + Outdoor fan motor)
2. Capacity tables show the average value of conditions which may occur.
3. ■■■ is shown as reference. When selecting the outdoor units, avoid the outdoor air temperature range shown by ■■■ .

7. Capacity Tables

Heating Capacity(24HP)

Outdoor Units

Combination (%)	Outdoor air temp		Indoor air temp. °C DB											
			16		18		20		21		22		24	
	°C DB	°C WB	TC	PI	TC	PI	TC	PI	TC	PI	TC	PI	TC	PI
100	-24.8	-25	47.0	27.48	47.0	27.66	46.8	26.66	46.8	28.08	46.8	28.26	46.6	28.36
	-21.8	-22	55.8	27.74	55.8	27.92	55.6	27.50	55.6	28.34	55.6	28.96	55.2	28.62
	-19.8	-20	58.2	27.92	58.2	28.10	57.8	28.06	57.8	28.52	57.8	28.86	57.6	28.80
	-18.8	-19	59.6	28.00	59.2	28.18	59.2	28.34	59.2	28.62	59.2	28.80	59.0	28.28
	-16.7	-17	62.2	28.20	62.2	28.36	62.2	28.96	61.8	28.80	61.8	27.72	61.4	27.20
	-13.7	-15	66.6	28.46	66.6	28.62	66.2	28.80	66.2	27.20	66.2	26.18	66.0	25.66
	-11.8	-13	68.8	28.62	68.4	28.80	68.4	27.72	68.4	26.20	68.4	25.20	66.0	24.68
	-9.8	-11	71.0	28.80	71.0	27.58	70.8	26.58	70.8	25.16	70.8	24.18	66.0	23.64
	-9.5	-10	71.6	28.60	71.6	27.40	71.2	26.40	71.2	25.00	70.8	24.04	66.0	23.48
	-8.5	-9.1	73.4	27.94	73.4	26.78	73.0	25.84	73.2	24.46	70.8	23.52	66.0	22.98
	-7.0	-7.6	77.2	26.98	77.0	25.86	75.6	24.98	73.2	23.68	70.8	22.74	66.0	22.20
	-5.0	-5.6	80.6	25.68	79.8	24.64	75.6	23.84	73.2	22.62	70.8	21.72	66.0	21.16
	-3.0	-3.7	83.0	24.38	80.4	23.42	75.6	22.70	73.2	21.56	70.8	20.70	66.0	20.14
	0.0	-0.7	85.2	22.42	80.4	21.60	75.6	21.00	73.2	19.98	70.8	19.16	66.0	18.60
	3.0	2.2	85.2	20.48	80.4	19.76	75.6	19.30	73.2	18.40	70.8	17.62	66.0	17.04
	5.0	4.1	85.2	19.18	80.4	18.54	75.6	18.16	73.2	17.34	70.8	16.60	66.0	16.02
	7.0	6	85.2	17.88	80.4	17.32	75.6	17.02	73.2	16.28	70.8	15.58	66.0	14.98
9.0	7.9	85.2	16.84	80.4	16.30	75.6	16.02	73.2	15.32	70.8	14.66	66.0	14.10	
11.0	9.8	85.2	15.90	80.4	15.42	75.6	15.14	73.2	14.48	70.8	13.86	66.0	13.34	
13.0	11.8	85.2	14.94	80.4	14.48	75.6	14.22	73.2	13.60	70.8	13.02	66.0	12.52	
15.0	13.7	85.2	13.92	80.4	13.48	75.6	13.24	73.2	12.68	70.8	12.12	66.0	11.66	
90	-24.8	-25	46.8	24.20	46.8	25.08	46.6	25.70	46.6	25.98	46.6	26.58	46.4	27.46
	-21.8	-22	55.6	25.08	55.6	25.96	55.4	26.58	55.4	26.88	55.4	27.46	55.0	26.16
	-19.8	-20	58.0	25.66	58.0	26.54	57.6	27.16	57.6	27.46	57.6	26.56	57.4	25.28
	-18.8	-19	59.6	25.96	59.2	26.84	59.0	27.46	59.0	27.00	59.0	26.10	58.8	24.86
	-16.7	-17	62.2	26.58	62.2	27.46	61.8	26.48	61.8	26.00	61.8	25.16	60.2	23.94
	-13.7	-15	66.6	27.46	66.6	26.00	66.0	25.08	66.0	24.60	64.8	23.80	60.2	22.64
	-11.8	-13	68.8	26.44	68.4	25.06	68.2	24.20	67.0	23.70	64.8	22.94	60.2	21.80
	-9.8	-11	71.0	25.36	71.0	24.08	69.2	23.26	67.0	22.78	64.8	22.04	60.2	20.94
	-9.5	-10	71.6	25.20	71.6	23.94	69.2	23.12	67.0	22.62	64.8	21.90	60.2	20.80
	-8.5	-9.1	73.4	24.66	72.8	23.44	69.2	22.66	67.0	22.16	64.8	21.46	60.2	20.36
	-7.0	-7.6	77.2	23.86	73.4	22.70	69.2	21.96	67.0	21.46	64.8	20.78	60.2	19.72
	-5.0	-5.6	78.0	22.78	73.4	21.72	69.2	21.02	67.0	20.52	64.8	19.86	60.2	18.84
	-3.0	-3.7	78.0	21.72	73.4	20.74	69.2	20.08	67.0	19.58	64.8	18.96	60.2	17.98
	0.0	-0.7	78.0	20.10	73.4	19.28	69.2	18.68	67.0	18.18	64.8	17.60	60.2	16.66
	3.0	2.2	78.0	18.50	73.4	17.80	69.2	17.28	67.0	16.76	64.8	16.26	60.2	15.36
	5.0	4.1	78.0	17.42	73.4	16.82	69.2	16.34	67.0	15.82	64.8	15.34	60.2	14.50
	7.0	6	78.0	16.34	73.4	15.84	69.2	15.42	67.0	14.88	64.8	14.44	60.2	13.62
9.0	7.9	78.0	15.36	73.4	14.88	69.2	14.48	67.0	13.98	64.8	13.58	60.2	12.80	
11.0	9.8	78.0	14.36	73.4	13.92	69.2	13.54	67.0	13.08	64.8	12.70	60.2	11.98	
13.0	11.8	78.0	13.38	73.4	12.96	69.2	12.62	67.0	12.18	64.8	11.82	60.2	11.14	
15.0	13.7	78.0	12.38	73.4	12.00	69.2	11.68	67.0	11.28	64.8	10.94	60.2	10.32	
80	-24.8	-25	46.6	21.08	46.6	21.96	46.4	22.58	46.4	22.88	46.4	24.36	46.2	23.20
	-21.8	-22	55.0	21.96	55.0	22.84	55.0	23.46	55.0	24.36	55.0	23.20	53.8	22.10
	-19.8	-20	57.4	22.56	57.4	23.44	57.4	24.36	57.4	23.54	57.4	22.44	53.8	21.38
	-18.8	-19	58.8	22.84	58.8	24.36	58.8	23.94	58.8	23.12	57.8	22.06	53.8	21.02
	-16.7	-17	61.8	24.36	61.8	23.46	61.8	23.06	60.0	22.26	57.8	21.24	53.8	20.24
	-13.7	-15	61.8	23.04	61.8	22.20	61.8	21.80	60.0	21.04	57.8	20.10	53.8	19.16
	-11.8	-13	63.6	22.20	62.0	21.42	61.8	21.00	60.0	20.26	57.8	19.36	53.8	18.46
	-9.8	-11	66.2	21.32	64.4	20.58	61.8	20.16	60.0	19.44	57.8	18.60	53.8	17.74
	-9.5	-10	66.6	21.18	64.8	20.44	61.8	20.04	60.0	19.32	57.8	18.48	53.8	17.62
	-8.5	-9.1	68.0	20.74	66.0	20.02	61.8	19.62	60.0	18.92	57.8	18.10	53.8	17.26
	-7.0	-7.6	70.0	20.08	66.0	19.40	61.8	18.98	60.0	18.30	57.8	17.52	53.8	16.72
	-5.0	-5.6	70.0	19.20	66.0	18.56	61.8	18.14	60.0	17.48	57.8	16.76	53.8	15.98
	-3.0	-3.7	70.0	18.32	66.0	17.72	61.8	17.30	60.0	16.66	57.8	16.00	53.8	15.26
	0.0	-0.7	70.0	17.00	66.0	16.46	61.8	16.06	60.0	15.44	57.8	14.84	53.8	14.16
	3.0	2.2	70.0	15.68	66.0	15.20	61.8	14.80	60.0	14.20	57.8	13.70	53.8	13.06
	5.0	4.1	70.0	14.80	66.0	14.36	61.8	13.96	60.0	13.38	57.8	12.92	53.8	12.34
	7.0	6	70.0	13.92	66.0	13.52	61.8	13.12	60.0	12.58	57.8	12.16	53.8	11.60
9.0	7.9	70.0	13.06	66.0	12.70	61.8	12.32	60.0	11.80	57.8	11.42	53.8	10.90	
11.0	9.8	70.0	12.14	66.0	11.78	61.8	11.42	60.0	10.96	57.8	10.60	53.8	10.12	
13.0	11.8	70.0	11.32	66.0	11.00	61.8	10.68	60.0	10.22	57.8	9.90	53.8	9.44	
15.0	13.7	70.0	10.66	66.0	10.34	61.8	10.04	60.0	9.62	57.8	9.30	53.8	8.88	

Notes:

1. TC: Total Capacity(kW) PI : Power Input(kW)(Comp. + Outdoor fan motor)
2. Capacity tables show the average value of conditions which may occur.
3. ■ is shown as reference. When selecting the outdoor units, avoid the outdoor air temperature range shown by ■.

7. Capacity Tables

Heating Capacity(24HP)

Combination (%)	Outdoor air temp		Indoor air temp. °C DB											
			16		18		20		21		22		24	
	°C DB	°C WB	TC	PI	TC	PI	TC	PI	TC	PI	TC	PI	TC	PI
70	-24.8	-25	46.6	21.70	46.6	22.00	46.4	22.58	46.4	23.46	46.4	22.26	46.0	21.14
	-21.8	-22	53.0	22.58	53.0	22.88	52.6	23.46	50.8	22.26	49.4	21.14	46.0	20.08
	-19.8	-20	57.2	23.18	56.0	23.46	52.6	22.62	50.8	21.46	49.4	20.40	46.0	19.36
	-18.8	-19	58.8	23.46	56.0	23.02	52.6	22.20	50.8	21.06	49.4	20.02	46.0	19.00
	-16.7	-17	59.2	22.54	56.0	22.10	52.6	21.30	50.8	20.22	49.4	19.24	46.0	18.26
	-13.7	-15	59.2	21.22	56.0	20.78	52.6	20.02	50.8	19.02	49.4	18.12	46.0	17.18
	-11.8	-13	59.2	20.38	56.0	19.94	52.6	19.22	50.8	18.26	49.4	17.42	46.0	16.50
	-9.8	-11	59.2	19.50	56.0	19.06	52.6	18.38	50.8	17.46	49.4	16.68	46.0	15.78
	-9.5	-10	59.2	19.38	56.0	18.92	52.6	18.24	50.8	17.34	49.4	16.56	46.0	15.68
	-8.5	-9.1	59.2	18.94	56.0	18.48	52.6	17.82	50.8	16.94	49.4	16.18	46.0	15.32
	-7.0	-7.6	59.2	18.28	56.0	17.82	52.6	17.18	50.8	16.34	49.4	15.64	46.0	14.78
	-5.0	-5.6	59.2	17.40	56.0	16.94	52.6	16.34	50.8	15.54	49.4	14.88	46.0	14.08
	-3.0	-3.7	59.2	16.52	56.0	16.04	52.6	15.48	50.8	14.74	49.4	14.14	46.0	13.36
	0.0	-0.7	59.2	15.20	56.0	14.72	52.6	14.22	50.8	13.54	49.4	13.02	46.0	12.28
	3.0	2.2	59.2	13.88	56.0	13.40	52.6	12.94	50.8	12.34	49.4	11.90	46.0	11.22
	5.0	4.1	59.2	13.00	56.0	12.52	52.6	12.10	50.8	11.54	49.4	11.16	46.0	10.50
	7.0	6	59.2	12.12	56.0	11.64	52.6	11.24	50.8	10.74	49.4	10.42	46.0	9.78
	9.0	7.9	59.2	10.94	56.0	10.50	52.6	10.16	50.8	9.70	49.4	9.40	46.0	8.84
	11.0	9.8	59.2	10.20	56.0	9.78	52.6	9.46	50.8	9.02	49.4	8.76	46.0	8.24
	13.0	11.8	59.2	9.54	56.0	9.16	52.6	8.84	50.8	8.44	49.4	8.18	46.0	7.70
15.0	13.7	59.2	8.98	56.0	8.62	52.6	8.34	50.8	7.96	49.4	7.72	46.0	7.26	
60	-24.8	-25	45.4	21.12	45.4	21.70	45.2	22.58	43.6	21.36	42.2	20.22	39.4	19.14
	-21.8	-22	48.6	22.00	48.2	22.58	45.2	21.36	43.6	20.22	42.2	19.14	39.4	18.12
	-19.8	-20	50.8	22.58	48.2	21.72	45.2	20.54	43.6	19.46	42.2	18.42	39.4	17.42
	-18.8	-19	50.8	22.14	48.2	21.28	45.2	20.14	43.6	19.06	42.2	18.08	39.4	17.08
	-16.7	-17	50.8	21.22	48.2	20.36	45.2	19.28	43.6	18.26	42.2	17.32	39.4	16.36
	-13.7	-15	50.8	19.90	48.2	19.06	45.2	18.06	43.6	17.12	42.2	16.24	39.4	15.34
	-11.8	-13	50.8	19.06	48.2	18.24	45.2	17.28	43.6	16.40	42.2	15.56	39.4	14.68
	-9.8	-11	50.8	18.16	48.2	17.38	45.2	16.46	43.6	15.64	42.2	14.86	39.4	14.00
	-9.5	-10	50.8	18.04	48.2	17.24	45.2	16.34	43.6	15.52	42.2	14.74	39.4	13.90
	-8.5	-9.1	50.8	17.60	48.2	16.80	45.2	15.92	43.6	15.14	42.2	14.40	39.4	13.54
	-7.0	-7.6	50.8	16.94	48.2	16.16	45.2	15.32	43.6	14.56	42.2	13.86	39.4	13.04
	-5.0	-5.6	50.8	16.04	48.2	15.28	45.2	14.50	43.6	13.80	42.2	13.14	39.4	12.34
	-3.0	-3.7	50.8	15.16	48.2	14.42	45.2	13.68	43.6	13.04	42.2	12.42	39.4	11.66
	0.0	-0.7	50.8	13.84	48.2	13.12	45.2	12.46	43.6	11.90	42.2	11.36	39.4	10.64
	3.0	2.2	50.8	12.52	48.2	11.80	45.2	11.24	43.6	10.76	42.2	10.28	39.4	9.60
	5.0	4.1	50.8	11.64	48.2	10.94	45.2	10.42	43.6	10.00	42.2	9.56	39.4	8.92
	7.0	6	50.8	10.76	48.2	10.08	45.2	9.60	43.6	9.22	42.2	8.86	39.4	8.24
	9.0	7.9	50.8	9.60	48.2	8.98	45.2	8.56	43.6	8.24	42.2	7.90	39.4	7.34
	11.0	9.8	50.8	8.96	48.2	8.40	45.2	8.00	43.6	7.68	42.2	7.38	39.4	6.86
	13.0	11.8	50.8	8.40	48.2	7.86	45.2	7.50	43.6	7.20	42.2	6.90	39.4	6.42
15.0	13.7	50.8	7.94	48.2	7.42	45.2	7.08	43.6	6.80	42.2	6.52	39.4	6.08	
50	-24.8	-25	42.4	19.34	40.0	20.22	37.6	19.08	36.4	18.02	35.2	17.02	32.8	16.08
	-21.8	-22	42.4	20.22	40.0	19.08	37.6	18.02	36.4	17.02	35.2	16.08	32.8	15.20
	-19.8	-20	42.4	19.42	40.0	18.32	37.6	17.30	36.4	16.34	35.2	15.48	32.8	14.62
	-18.8	-19	42.4	19.02	40.0	17.94	37.6	16.96	36.4	16.02	35.2	15.16	32.8	14.32
	-16.7	-17	42.4	18.18	40.0	17.14	37.6	16.20	36.4	15.32	35.2	14.52	32.8	13.70
	-13.7	-15	42.4	16.96	40.0	16.00	37.6	15.14	36.4	14.32	35.2	13.58	32.8	12.82
	-11.8	-13	42.4	16.20	40.0	15.28	37.6	14.48	36.4	13.68	35.2	13.00	32.8	12.26
	-9.8	-11	42.4	15.40	40.0	14.52	37.6	13.76	36.4	13.02	35.2	12.38	32.8	11.66
	-9.5	-10	42.4	15.28	40.0	14.40	37.6	13.66	36.4	12.92	35.2	12.30	32.8	11.58
	-8.5	-9.1	42.4	14.88	40.0	14.02	37.6	13.30	36.4	12.58	35.2	11.98	32.8	11.28
	-7.0	-7.6	42.4	14.28	40.0	13.44	37.6	12.78	36.4	12.08	35.2	11.52	32.8	10.84
	-5.0	-5.6	42.4	13.48	40.0	12.68	37.6	12.06	36.4	11.42	35.2	10.90	32.8	10.26
	-3.0	-3.7	42.4	12.68	40.0	11.92	37.6	11.36	36.4	10.76	35.2	10.28	32.8	9.66
	0.0	-0.7	42.4	11.48	40.0	10.78	37.6	10.30	36.4	9.76	35.2	9.36	32.8	8.78
	3.0	2.2	42.4	10.28	40.0	9.64	37.6	9.24	36.4	8.76	35.2	8.44	32.8	7.90
	5.0	4.1	42.4	9.48	40.0	8.88	37.6	8.52	36.4	8.10	35.2	7.82	32.8	7.30
	7.0	6	42.4	8.68	40.0	8.12	37.6	7.82	36.4	7.44	35.2	7.20	32.8	6.72
	9.0	7.9	42.4	7.84	40.0	7.34	37.6	7.06	36.4	6.72	35.2	6.50	32.8	6.06
	11.0	9.8	42.4	7.32	40.0	6.86	37.6	6.60	36.4	6.28	35.2	6.08	32.8	5.68
	13.0	11.8	42.4	6.88	40.0	6.44	37.6	6.20	36.4	5.90	35.2	5.72	32.8	5.32
15.0	13.7	42.4	6.52	40.0	6.10	37.6	5.88	36.4	5.58	35.2	5.40	32.8	5.04	

Notes:

1. TC: Total Capacity(kW) PI : Power Input(kW)(Comp. + Outdoor fan motor)
2. Capacity tables show the average value of conditions which may occur.
3. ■■■ is shown as reference. When selecting the outdoor units, avoid the outdoor air temperature range shown by ■■■ .

7. Capacity Tables

ARUB260LTE4

Heating Capacity(26HP)

Outdoor Units

Combination (%)	Outdoor air temp		Indoor air temp. °C DB											
			16		18		20		21		22		24	
	°C DB	°C WB	TC	PI	TC	PI	TC	PI	TC	PI	TC	PI	TC	PI
130	-24.8	-25	51.2	24.2	51.2	24.51	51.0	24.81	51.0	25.27	51.0	25.71	50.3	26.41
	-21.8	-22	61.7	24.86	61.7	25.21	61.2	25.51	61.2	25.97	61.2	26.41	60.5	27.12
	-19.8	-20	64.7	25.32	64.7	25.67	64.3	25.97	64.3	26.44	64.3	26.88	63.5	27.58
	-18.8	-19	66.2	25.55	66.2	25.90	65.8	26.20	65.8	26.67	65.8	27.12	65.0	27.81
	-16.7	-17	69.5	26.04	69.5	26.39	69.0	26.69	69.0	27.15	69.0	27.60	68.1	28.30
	-13.7	-15	74.0	26.74	74.0	27.09	73.6	27.39	73.6	27.86	73.6	28.30	72.6	27.12
	-11.8	-13	76.4	27.18	76.4	27.53	76.0	27.83	76.0	28.30	76.0	27.50	75.4	26.36
	-9.8	-11	79.0	27.64	79.0	28.00	78.4	28.30	78.4	27.43	78.4	26.64	78.1	25.57
	-9.5	-10	79.5	27.72	79.5	28.07	79.0	28.17	79.0	27.30	78.9	26.52	78.6	25.46
	-8.5	-9.1	81.2	27.95	81.2	28.30	80.7	27.71	80.7	26.87	80.1	26.10	80.0	25.06
	-7.0	-7.6	83.8	28.30	83.8	27.63	83.2	27.04	83.2	26.21	83.2	25.46	82.7	24.47
	-5.0	-5.6	87.3	27.40	87.3	26.73	86.7	26.14	86.7	25.35	86.7	24.62	85.6	23.68
	-3.0	-3.7	90.7	26.52	90.7	25.84	90.1	25.24	90.1	24.47	90.1	23.76	88.6	22.89
	0.0	-0.7	95.8	25.18	95.8	24.49	95.3	23.89	95.3	23.17	95.3	22.50	92.5	21.70
	3.0	2.2	101.0	23.84	101.0	23.14	100.3	22.53	100.3	21.86	98.8	21.23	92.5	20.52
	5.0	4.1	103.9	22.96	103.9	22.25	103.4	21.64	102.2	21.00	99.3	20.37	92.5	19.74
	7.0	6	105.6	22.07	105.6	21.35	105.0	20.74	102.9	20.13	99.3	19.53	92.5	18.95
	9.0	7.9	105.9	21.31	105.9	20.63	105.5	20.03	102.9	19.45	99.3	18.87	92.5	18.30
11.0	9.8	105.9	20.76	105.9	20.08	105.5	19.50	102.9	18.93	99.3	18.37	92.5	17.82	
13.0	11.8	105.9	20.14	105.9	19.50	105.5	18.93	102.9	18.38	99.3	17.83	92.5	17.30	
15.0	13.7	105.9	19.51	105.9	18.87	105.5	18.33	102.9	17.80	99.3	17.26	92.5	16.75	
120	-24.8	-25	50.9	24.51	50.9	24.81	50.6	25.27	50.6	25.71	50.6	26.41	49.9	26.90
	-21.8	-22	61.2	25.21	61.2	25.51	60.8	25.97	60.8	26.41	60.8	27.12	60.1	27.60
	-19.8	-20	64.2	25.67	64.2	25.97	63.8	26.44	63.8	26.88	63.8	27.58	63.0	28.07
	-18.8	-19	65.8	25.90	65.8	26.20	65.3	26.67	65.3	27.12	65.3	27.81	64.5	28.30
	-16.7	-17	69.0	26.39	69.0	26.69	68.6	27.15	68.6	27.60	68.6	28.30	67.6	27.54
	-13.7	-15	73.4	27.09	73.4	27.39	73.0	27.86	73.0	28.30	73.0	27.16	72.1	26.45
	-11.8	-13	75.8	27.53	75.8	27.83	75.4	28.30	75.4	27.48	75.4	26.43	74.8	25.76
	-9.8	-11	78.4	28.00	78.4	28.30	77.9	27.40	77.9	26.64	77.9	25.67	77.6	25.04
	-9.5	-10	79.0	28.07	79.0	28.15	78.5	27.26	78.5	26.50	78.5	25.56	78.2	24.93
	-8.5	-9.1	80.7	28.30	80.7	27.68	80.1	26.81	80.1	26.08	80.1	25.18	79.8	24.56
	-7.0	-7.6	83.2	27.57	83.2	26.96	82.7	26.14	82.7	25.44	82.5	24.60	82.1	24.02
	-5.0	-5.6	86.6	26.60	86.6	26.00	86.0	25.24	86.0	24.59	86.0	23.85	85.1	23.29
	-3.0	-3.7	90.1	25.64	90.1	25.03	89.5	24.34	89.5	23.74	89.5	23.09	86.9	22.57
	0.0	-0.7	95.1	24.19	95.1	23.60	94.5	22.99	94.5	22.46	93.3	21.95	86.9	21.47
	3.0	2.2	100.3	22.74	100.3	22.17	98.7	21.65	96.5	21.17	93.4	20.81	86.9	20.39
	5.0	4.1	103.1	21.77	102.6	21.20	99.8	20.75	96.5	20.32	93.4	20.04	86.9	19.67
	7.0	6	104.8	20.81	103.9	20.24	99.8	19.85	96.5	19.47	93.4	19.28	86.9	18.94
	9.0	7.9	105.0	20.07	103.9	19.52	99.8	19.13	96.5	18.77	93.4	18.60	86.9	18.26
11.0	9.8	105.0	19.50	103.9	18.97	99.8	18.59	96.5	18.23	93.4	18.06	86.9	17.74	
13.0	11.8	105.0	18.88	103.9	18.37	99.8	18.01	96.5	17.66	93.4	17.50	86.9	17.18	
15.0	13.7	105.0	18.23	103.9	17.73	99.8	17.38	96.5	17.05	93.4	16.90	86.9	16.59	
110	-24.8	-25	50.6	24.81	50.6	25.27	50.3	25.71	50.3	26.41	50.3	26.90	49.7	27.13
	-21.8	-22	60.9	25.51	60.9	25.97	60.5	26.41	60.5	27.12	60.5	27.60	59.8	27.83
	-19.8	-20	63.9	25.97	63.9	26.44	63.5	26.88	63.5	27.58	63.5	28.07	62.7	28.30
	-18.8	-19	65.4	26.20	65.4	26.67	64.9	27.12	64.9	27.81	64.9	28.30	64.2	27.91
	-16.7	-17	68.6	26.69	68.6	27.15	68.2	27.60	68.2	28.30	68.2	27.48	67.2	27.07
	-13.7	-15	73.1	27.39	73.1	27.86	72.6	28.30	72.6	27.06	72.6	26.31	72.6	25.88
	-11.8	-13	75.5	27.83	75.5	28.30	75.0	27.42	75.0	26.28	75.0	25.58	75.0	25.14
	-9.8	-11	78.0	28.30	78.0	27.30	77.5	26.50	77.5	25.44	77.5	24.79	77.5	24.35
	-9.5	-10	78.5	28.13	78.5	27.16	78.1	26.36	78.1	25.32	78.1	24.68	77.9	24.22
	-8.5	-9.1	80.2	27.60	80.2	26.66	79.7	25.89	79.7	24.91	79.7	24.29	78.2	23.83
	-7.0	-7.6	82.8	26.79	82.8	25.91	82.3	25.20	82.3	24.29	82.3	23.71	78.2	23.24
	-5.0	-5.6	86.2	25.71	86.2	24.91	85.6	24.28	85.6	23.47	83.7	22.93	78.2	22.45
	-3.0	-3.7	89.5	24.63	89.5	23.92	88.8	23.35	86.6	22.63	83.7	22.15	78.2	21.65
	0.0	-0.7	94.7	23.01	94.3	22.43	89.5	21.96	86.6	21.39	83.7	20.99	78.2	20.47
	3.0	2.2	99.3	21.39	95.4	20.93	89.5	20.58	86.6	20.16	83.7	19.82	78.2	19.28
	5.0	4.1	100.9	20.31	95.4	19.94	89.5	19.66	86.6	19.33	83.7	19.05	78.2	18.49
	7.0	6	101.0	19.24	95.4	18.95	89.5	18.73	86.6	18.51	83.7	18.26	78.2	17.70
	9.0	7.9	101.0	18.47	95.4	18.19	89.5	17.99	86.6	17.76	83.7	17.54	78.2	17.00
11.0	9.8	101.0	17.85	95.4	17.58	89.5	17.39	86.6	17.18	83.7	16.96	78.2	16.43	
13.0	11.8	101.0	17.20	95.4	16.95	89.5	16.75	86.6	16.55	83.7	16.34	78.2	15.83	
15.0	13.7	101.0	16.52	95.4	16.26	89.5	16.08	86.6	15.89	83.7	15.69	78.2	15.20	

Notes:

1. TC: Total Capacity(kW) PI : Power Input(kW)(Comp. + Outdoor fan motor)
2. Capacity tables show the average value of conditions which may occur.
3. ■ is shown as reference. When selecting the outdoor units, avoid the outdoor air temperature range shown by ■.

7. Capacity Tables

Heating Capacity(26HP)

Combination (%)	Outdoor air temp		Indoor air temp. °C DB											
			16		18		20		21		22		24	
	°C DB	°C WB	TC	PI	TC	PI	TC	PI	TC	PI	TC	PI	TC	PI
100	-24.8	-25	50.4	27.64	50.4	27.73	50.1	26.47	50.1	27.94	50.1	28.03	49.5	28.08
	-21.8	-22	60.6	27.77	60.6	27.86	60.3	27.30	60.3	28.07	60.3	28.56	59.5	28.21
	-19.8	-20	63.6	27.86	63.6	27.95	63.2	27.85	63.2	28.16	63.2	28.39	62.4	28.30
	-18.8	-19	65.1	27.90	64.7	27.99	64.7	28.07	64.7	28.21	64.7	28.30	63.9	27.83
	-16.7	-17	67.9	28.00	67.9	28.08	67.9	28.56	67.5	28.30	67.5	27.32	66.6	26.83
	-13.7	-15	72.7	28.13	72.7	28.21	72.3	28.30	72.3	26.86	72.3	25.91	71.5	25.41
	-11.8	-13	75.1	28.21	74.7	28.30	74.7	27.33	74.7	25.95	74.7	25.02	71.5	24.51
	-9.8	-11	77.6	28.30	77.6	27.21	77.2	26.31	77.2	25.00	76.7	24.08	71.5	23.56
	-9.5	-10	78.1	28.13	78.1	27.05	77.7	26.15	77.7	24.86	76.7	23.95	71.5	23.41
	-8.5	-9.1	79.8	27.54	79.8	26.50	79.4	25.64	79.3	24.37	76.7	23.48	71.5	22.95
	-7.0	-7.6	83.7	26.69	83.4	25.68	81.9	24.87	79.3	23.66	76.7	22.77	71.5	22.23
	-5.0	-5.6	87.3	25.53	86.5	24.58	81.9	23.85	79.3	22.70	76.7	21.84	71.5	21.28
	-3.0	-3.7	89.9	24.38	87.1	23.49	81.9	22.83	79.3	21.74	76.7	20.90	71.5	20.34
	0.0	-0.7	92.3	22.65	87.1	21.86	81.9	21.30	79.3	20.30	76.7	19.49	71.5	18.92
	3.0	2.2	92.3	20.92	87.1	20.22	81.9	19.77	79.3	18.87	76.7	18.09	71.5	17.49
	5.0	4.1	92.3	19.77	87.1	19.12	81.9	18.74	79.3	17.91	76.7	17.15	71.5	16.55
	7.0	6	92.3	18.62	87.1	18.03	81.9	17.72	79.3	16.95	76.7	16.22	71.5	15.60
	9.0	7.9	92.3	17.72	87.1	17.16	81.9	16.86	79.3	16.13	76.7	15.44	71.5	14.85
11.0	9.8	92.3	16.96	87.1	16.44	81.9	16.14	79.3	15.44	76.7	14.78	71.5	14.22	
13.0	11.8	92.3	16.16	87.1	15.66	81.9	15.39	79.3	14.72	76.7	14.08	71.5	13.55	
15.0	13.7	92.3	15.32	87.1	14.84	81.9	14.58	79.3	13.95	76.7	13.35	71.5	12.84	
90	-24.8	-25	50.2	24.50	50.2	25.20	49.9	25.69	49.9	25.91	49.9	26.38	49.3	27.08
	-21.8	-22	60.4	25.20	60.4	25.90	60.1	26.38	60.1	26.62	60.1	27.08	59.2	25.87
	-19.8	-20	63.4	25.66	63.4	26.36	63.0	26.85	63.0	27.08	63.0	26.25	62.2	25.05
	-18.8	-19	65.1	25.90	64.7	26.59	64.5	27.08	64.5	26.65	64.5	25.82	63.7	24.65
	-16.7	-17	67.9	26.38	67.9	27.08	67.5	26.18	67.5	25.74	67.5	24.95	65.2	23.80
	-13.7	-15	72.7	27.08	72.7	25.75	72.1	24.90	72.1	24.45	70.2	23.69	65.2	22.58
	-11.8	-13	75.1	26.16	74.7	24.89	74.4	24.09	72.6	23.62	70.2	22.90	65.2	21.81
	-9.8	-11	77.6	25.18	77.6	24.00	75.0	23.23	72.6	22.77	70.2	22.07	65.2	21.00
	-9.5	-10	78.1	25.04	78.1	23.87	75.0	23.10	72.6	22.63	70.2	21.94	65.2	20.87
	-8.5	-9.1	79.8	24.55	79.2	23.42	75.0	22.68	72.6	22.20	70.2	21.53	65.2	20.47
	-7.0	-7.6	83.7	23.82	79.6	22.74	75.0	22.04	72.6	21.55	70.2	20.90	65.2	19.86
	-5.0	-5.6	84.6	22.85	79.6	21.85	75.0	21.18	72.6	20.69	70.2	20.05	65.2	19.05
	-3.0	-3.7	84.6	21.88	79.6	20.96	75.0	20.32	72.6	19.82	70.2	19.22	65.2	18.24
	0.0	-0.7	84.6	20.42	79.6	19.62	75.0	19.04	72.6	18.53	70.2	17.96	65.2	17.02
	3.0	2.2	84.6	18.96	79.6	18.28	75.0	17.76	72.6	17.23	70.2	16.72	65.2	15.80
	5.0	4.1	84.6	17.99	79.6	17.38	75.0	16.90	72.6	16.36	70.2	15.87	65.2	15.00
	7.0	6	84.6	17.01	79.6	16.49	75.0	16.05	72.6	15.50	70.2	15.04	65.2	14.18
	9.0	7.9	84.6	16.11	79.6	15.61	75.0	15.19	72.6	14.67	70.2	14.24	65.2	13.43
11.0	9.8	84.6	15.20	79.6	14.73	75.0	14.33	72.6	13.85	70.2	13.44	65.2	12.67	
13.0	11.8	84.6	14.30	79.6	13.85	75.0	13.49	72.6	13.02	70.2	12.64	65.2	11.91	
15.0	13.7	84.6	13.39	79.6	12.97	75.0	12.63	72.6	12.20	70.2	11.83	65.2	11.16	
80	-24.8	-25	50.0	21.43	50.0	22.13	49.7	22.62	49.7	22.85	49.7	24.02	49.1	22.94
	-21.8	-22	59.7	22.13	59.7	22.82	59.7	23.31	59.7	24.02	59.7	22.94	58.3	21.91
	-19.8	-20	62.7	22.60	62.7	23.29	62.7	24.02	62.7	23.26	62.4	22.23	58.3	21.24
	-18.8	-19	64.2	22.82	64.2	24.02	64.2	23.63	64.2	22.87	62.6	21.88	58.3	20.90
	-16.7	-17	67.0	24.02	67.0	23.20	67.0	22.82	65.0	22.08	62.6	21.12	58.3	20.17
	-13.7	-15	67.0	22.81	67.0	22.04	67.0	21.66	65.0	20.94	62.6	20.05	58.3	19.16
	-11.8	-13	68.8	22.05	67.1	21.32	67.0	20.92	65.0	20.22	62.6	19.37	58.3	18.50
	-9.8	-11	71.7	21.24	69.7	20.55	67.0	20.15	65.0	19.46	62.6	18.66	58.3	17.83
	-9.5	-10	72.1	21.12	70.1	20.43	67.0	20.04	65.0	19.35	62.6	18.55	58.3	17.72
	-8.5	-9.1	73.6	20.72	71.4	20.04	67.0	19.65	65.0	18.97	62.6	18.19	58.3	17.38
	-7.0	-7.6	75.8	20.12	71.4	19.47	67.0	19.06	65.0	18.40	62.6	17.65	58.3	16.87
	-5.0	-5.6	75.8	19.31	71.4	18.70	67.0	18.29	65.0	17.64	62.6	16.94	58.3	16.18
	-3.0	-3.7	75.8	18.51	71.4	17.93	67.0	17.52	65.0	16.88	62.6	16.23	58.3	15.50
	0.0	-0.7	75.8	17.30	71.4	16.77	67.0	16.37	65.0	15.75	62.6	15.16	58.3	14.48
	3.0	2.2	75.8	16.10	71.4	15.61	67.0	15.21	65.0	14.60	62.6	14.09	58.3	13.45
	5.0	4.1	75.8	15.30	71.4	14.84	67.0	14.43	65.0	13.84	62.6	13.37	58.3	12.77
	7.0	6	75.8	14.49	71.4	14.07	67.0	13.66	65.0	13.09	62.6	12.66	58.3	12.08
	9.0	7.9	75.8	13.60	71.4	13.22	67.0	12.82	65.0	12.29	62.6	11.89	58.3	11.35
11.0	9.8	75.8	12.63	71.4	12.26	67.0	11.90	65.0	11.41	62.6	11.03	58.3	10.53	
13.0	11.8	75.8	11.79	71.4	11.45	67.0	11.11	65.0	10.64	62.6	10.30	58.3	9.83	
15.0	13.7	75.8	11.10	71.4	10.77	67.0	10.46	65.0	10.02	62.6	9.69	58.3	9.25	

Notes:

1. TC: Total Capacity(kW) PI : Power Input(kW)(Comp. + Outdoor fan motor)
2. Capacity tables show the average value of conditions which may occur.
3. ■■■ is shown as reference. When selecting the outdoor units, avoid the outdoor air temperature range shown by ■■■ .

7. Capacity Tables

Heating Capacity(26HP)

Combination (%)	Outdoor air temp		Indoor air temp. °C DB											
			16		18		20		21		22		24	
	°C DB	°C WB	TC	PI	TC	PI	TC	PI	TC	PI	TC	PI	TC	PI
70	-24.8	-25	50.0	21.90	50.0	22.13	49.7	22.60	49.7	23.29	49.7	22.15	49.0	21.08
	-21.8	-22	57.4	22.60	57.4	22.83	57.0	23.29	55.1	22.15	53.5	21.08	49.9	20.06
	-19.8	-20	62.4	23.07	60.7	23.29	57.0	22.49	55.1	21.39	53.5	20.37	49.9	19.37
	-18.8	-19	64.0	23.29	60.7	22.87	57.0	22.09	55.1	21.01	53.5	20.01	49.9	19.03
	-16.7	-17	64.2	22.42	60.7	22.00	57.0	21.24	55.1	20.21	53.5	19.27	49.9	18.31
	-13.7	-15	64.2	21.18	60.7	20.75	57.0	20.03	55.1	19.06	53.5	18.20	49.9	17.28
	-11.8	-13	64.2	20.39	60.7	19.96	57.0	19.27	55.1	18.34	53.5	17.53	49.9	16.63
	-9.8	-11	64.2	19.57	60.7	19.13	57.0	18.47	55.1	17.58	53.5	16.82	49.9	15.94
	-9.5	-10	64.2	19.45	60.7	19.00	57.0	18.34	55.1	17.46	53.5	16.71	49.9	15.84
	-8.5	-9.1	64.2	19.03	60.7	18.58	57.0	17.94	55.1	17.08	53.5	16.35	49.9	15.50
	-7.0	-7.6	64.2	18.41	60.7	17.96	57.0	17.34	55.1	16.51	53.5	15.82	49.9	14.98
	-5.0	-5.6	64.2	17.59	60.7	17.12	57.0	16.54	55.1	15.75	53.5	15.11	49.9	14.30
	-3.0	-3.7	64.2	16.76	60.7	16.28	57.0	15.73	55.1	14.99	53.5	14.40	49.9	13.62
	0.0	-0.7	64.2	15.52	60.7	15.03	57.0	14.53	55.1	13.85	53.5	13.33	49.9	12.58
	3.0	2.2	64.2	14.27	60.7	13.78	57.0	13.32	55.1	12.70	53.5	12.26	49.9	11.56
	5.0	4.1	64.2	13.45	60.7	12.95	57.0	12.51	55.1	11.94	53.5	11.55	49.9	10.87
	7.0	6	64.2	12.62	60.7	12.12	57.0	11.70	55.1	11.18	53.5	10.84	49.9	10.19
9.0	7.9	64.2	11.39	60.7	10.93	57.0	10.57	55.1	10.10	53.5	9.79	49.9	9.20	
11.0	9.8	64.2	10.61	60.7	10.18	57.0	9.85	55.1	9.39	53.5	9.12	49.9	8.57	
13.0	11.8	64.2	9.93	60.7	9.53	57.0	9.21	55.1	8.79	53.5	8.52	49.9	8.02	
15.0	13.7	64.2	9.35	60.7	8.98	57.0	8.68	55.1	8.29	53.5	8.04	49.9	7.56	
60	-24.8	-25	49.2	21.44	49.2	21.90	48.9	22.60	47.3	21.41	45.7	20.30	42.7	19.25
	-21.8	-22	52.7	22.13	52.2	22.60	48.9	21.41	47.3	20.30	45.7	19.25	42.7	18.25
	-19.8	-20	55.1	22.60	52.2	21.76	48.9	20.61	47.3	19.56	45.7	18.55	42.7	17.57
	-18.8	-19	55.1	22.17	52.2	21.34	48.9	20.22	47.3	19.18	45.7	18.21	42.7	17.23
	-16.7	-17	55.1	21.28	52.2	20.45	48.9	19.39	47.3	18.40	45.7	17.47	42.7	16.53
	-13.7	-15	55.1	20.01	52.2	19.19	48.9	18.20	47.3	17.29	45.7	16.42	42.7	15.52
	-11.8	-13	55.1	19.20	52.2	18.39	48.9	17.45	47.3	16.58	45.7	15.76	42.7	14.88
	-9.8	-11	55.1	18.34	52.2	17.56	48.9	16.65	47.3	15.84	45.7	15.07	42.7	14.21
	-9.5	-10	55.1	18.22	52.2	17.42	48.9	16.54	47.3	15.73	45.7	14.96	42.7	14.11
	-8.5	-9.1	55.1	17.79	52.2	17.00	48.9	16.13	47.3	15.36	45.7	14.62	42.7	13.77
	-7.0	-7.6	55.1	17.15	52.2	16.38	48.9	15.55	47.3	14.80	45.7	14.10	42.7	13.27
	-5.0	-5.6	55.1	16.30	52.2	15.53	48.9	14.75	47.3	14.06	45.7	13.40	42.7	12.60
	-3.0	-3.7	55.1	15.45	52.2	14.69	48.9	13.96	47.3	13.32	45.7	12.70	42.7	11.93
	0.0	-0.7	55.1	14.17	52.2	13.43	48.9	12.77	47.3	12.21	45.7	11.66	42.7	10.92
	3.0	2.2	55.1	12.90	52.2	12.16	48.9	11.58	47.3	11.09	45.7	10.61	42.7	9.91
	5.0	4.1	55.1	12.05	52.2	11.33	48.9	10.79	47.3	10.35	45.7	9.91	42.7	9.24
	7.0	6	55.1	11.20	52.2	10.49	48.9	10.00	47.3	9.60	45.7	9.22	42.7	8.57
9.0	7.9	55.1	9.99	52.2	9.35	48.9	8.92	47.3	8.58	45.7	8.22	42.7	7.64	
11.0	9.8	55.1	9.33	52.2	8.74	48.9	8.33	47.3	8.00	45.7	7.68	42.7	7.14	
13.0	11.8	55.1	8.74	52.2	8.18	48.9	7.80	47.3	7.50	45.7	7.19	42.7	6.69	
15.0	13.7	55.1	8.26	52.2	7.73	48.9	7.37	47.3	7.08	45.7	6.79	42.7	6.33	
50	-24.8	-25	46.0	19.24	43.4	19.94	40.7	18.86	39.4	17.85	38.1	16.89	35.5	16.00
	-21.8	-22	46.0	19.94	43.4	18.86	40.7	17.85	39.4	16.89	38.1	16.00	35.5	15.15
	-19.8	-20	46.0	19.18	43.4	18.13	40.7	17.17	39.4	16.25	38.1	15.42	35.5	14.59
	-18.8	-19	46.0	18.80	43.4	17.77	40.7	16.84	39.4	15.94	38.1	15.12	35.5	14.30
	-16.7	-17	46.0	18.01	43.4	17.01	40.7	16.12	39.4	15.27	38.1	14.50	35.5	13.71
	-13.7	-15	46.0	16.86	43.4	15.93	40.7	15.11	39.4	14.32	38.1	13.61	35.5	12.86
	-11.8	-13	46.0	16.14	43.4	15.25	40.7	14.48	39.4	13.71	38.1	13.05	35.5	12.32
	-9.8	-11	46.0	15.39	43.4	14.52	40.7	13.80	39.4	13.07	38.1	12.46	35.5	11.75
	-9.5	-10	46.0	15.27	43.4	14.41	40.7	13.70	39.4	12.98	38.1	12.37	35.5	11.67
	-8.5	-9.1	46.0	14.90	43.4	14.05	40.7	13.36	39.4	12.66	38.1	12.07	35.5	11.38
	-7.0	-7.6	46.0	14.33	43.4	13.51	40.7	12.86	39.4	12.18	38.1	11.63	35.5	10.96
	-5.0	-5.6	46.0	13.57	43.4	12.78	40.7	12.18	39.4	11.55	38.1	11.04	35.5	10.40
	-3.0	-3.7	46.0	12.82	43.4	12.06	40.7	11.51	39.4	10.92	38.1	10.45	35.5	9.82
	0.0	-0.7	46.0	11.68	43.4	10.98	40.7	10.50	39.4	9.96	38.1	9.56	35.5	8.98
	3.0	2.2	46.0	10.55	43.4	9.90	40.7	9.49	39.4	9.01	38.1	8.68	35.5	8.13
	5.0	4.1	46.0	9.79	43.4	9.18	40.7	8.81	39.4	8.37	38.1	8.09	35.5	7.56
	7.0	6	46.0	9.03	43.4	8.45	40.7	8.14	39.4	7.74	38.1	7.50	35.5	7.00
9.0	7.9	46.0	8.16	43.4	7.64	40.7	7.35	39.4	6.99	38.1	6.77	35.5	6.31	
11.0	9.8	46.0	7.63	43.4	7.14	40.7	6.88	39.4	6.54	38.1	6.33	35.5	5.91	
13.0	11.8	46.0	7.16	43.4	6.71	40.7	6.46	39.4	6.14	38.1	5.95	35.5	5.54	
15.0	13.7	46.0	6.78	43.4	6.35	40.7	6.12	39.4	5.81	38.1	5.63	35.5	5.25	

Notes:

1. TC: Total Capacity(kW) PI : Power Input(kW)(Comp. + Outdoor fan motor)
2. Capacity tables show the average value of conditions which may occur.
3. ■■■ is shown as reference. When selecting the outdoor units, avoid the outdoor air temperature range shown by ■■■ .

7. Capacity Tables

ARUB280LTE4

Heating Capacity(28HP)

Combination (%)	Outdoor air temp		Indoor air temp. °C DB											
			16		18		20		21		22		24	
	°C DB	°C WB	TC	PI	TC	PI	TC	PI	TC	PI	TC	PI	TC	PI
130	-24.8	-25	52.4	25.3	52.4	25.75	52.1	26.16	52.1	26.79	52.1	27.38	52.0	28.33
	-21.8	-22	63.3	26.22	63.3	26.70	62.9	27.10	62.9	27.73	62.9	28.33	62.8	29.28
	-19.8	-20	66.6	26.85	66.6	27.32	66.2	27.73	66.2	28.36	66.2	28.96	66.1	29.90
	-18.8	-19	68.3	27.17	68.3	27.64	67.9	28.05	67.9	28.68	67.9	29.28	67.8	30.22
	-16.7	-17	71.8	27.83	71.8	28.30	71.4	28.71	71.4	29.33	71.4	29.93	71.2	30.88
	-13.7	-15	76.8	28.77	76.8	29.24	76.3	29.65	76.3	30.29	76.3	30.88	76.1	29.66
	-11.8	-13	79.3	29.37	79.3	29.84	78.9	30.25	78.9	30.88	78.9	30.88	78.9	28.87
	-9.8	-11	82.1	29.99	82.1	30.48	81.5	30.88	81.5	29.99	81.5	29.17	81.5	28.05
	-9.5	-10	82.9	30.09	82.9	30.57	82.4	30.75	82.4	29.86	81.9	29.05	81.9	27.94
	-8.5	-9.1	85.6	30.41	85.6	30.88	85.1	30.28	85.1	29.41	83.3	28.61	83.3	27.52
	-7.0	-7.6	89.9	30.88	89.9	30.21	89.2	29.60	89.2	28.74	89.2	27.95	87.2	26.91
	-5.0	-5.6	95.4	29.99	95.4	29.30	94.8	28.68	94.8	27.85	94.8	27.08	90.4	26.09
	-3.0	-3.7	101.0	29.10	101.0	28.40	100.3	27.76	100.3	26.96	100.3	26.20	93.7	25.27
	0.0	-0.7	109.2	27.78	109.2	27.04	108.6	26.39	107.5	25.62	105.3	24.90	98.3	24.04
	3.0	2.2	112.2	26.44	112.2	25.68	111.7	25.01	110.1	24.28	106.4	23.58	99.1	22.81
	5.0	4.1	113.5	25.56	113.5	24.78	113.1	24.10	110.3	23.39	106.4	22.70	99.1	22.00
	7.0	6	113.5	24.67	113.5	23.87	113.1	23.18	110.3	22.51	106.4	21.83	99.1	21.18
9.0	7.9	113.5	23.92	113.5	23.16	113.1	22.48	110.3	21.83	106.4	21.18	99.1	20.54	
11.0	9.8	113.5	23.40	113.5	22.64	113.1	21.99	110.3	21.34	106.4	20.71	99.1	20.09	
13.0	11.8	113.5	22.82	113.5	22.09	113.1	21.45	110.3	20.82	106.4	20.20	99.1	19.60	
15.0	13.7	113.5	22.22	113.5	21.50	113.1	20.87	110.3	20.27	106.4	19.66	99.1	19.08	
120	-24.8	-25	52.1	25.75	52.1	26.16	51.7	26.79	51.7	27.38	51.7	28.33	51.6	28.99
	-21.8	-22	62.9	26.70	62.9	27.10	62.5	27.73	62.5	28.33	62.5	29.28	62.4	29.93
	-19.8	-20	66.2	27.32	66.2	27.73	65.7	28.36	65.7	28.96	65.7	29.90	65.6	30.57
	-18.8	-19	67.8	27.64	67.8	28.05	67.4	28.68	67.4	29.28	67.4	30.22	67.3	30.88
	-16.7	-17	71.3	28.30	71.3	28.71	70.9	29.33	70.9	29.93	70.9	30.88	70.7	30.09
	-13.7	-15	76.2	29.24	76.2	29.65	75.7	30.29	75.7	30.88	75.7	29.70	75.6	28.96
	-11.8	-13	78.7	29.84	78.7	30.25	78.3	30.88	78.3	30.47	78.3	28.95	78.3	28.25
	-9.8	-11	81.5	30.48	81.5	30.88	81.0	29.96	81.0	29.17	81.0	28.16	81.0	27.50
	-9.5	-10	82.3	30.57	82.3	30.73	81.8	29.82	81.8	29.03	81.8	28.05	81.8	27.39
	-8.5	-9.1	85.1	30.88	85.1	30.25	84.5	29.35	84.5	28.59	84.0	27.65	84.0	27.00
	-7.0	-7.6	89.2	30.14	89.2	29.51	88.7	28.66	88.7	27.93	86.6	27.06	86.5	26.44
	-5.0	-5.6	94.7	29.16	94.7	28.52	94.1	27.74	94.1	27.05	94.1	26.28	89.8	25.69
	-3.0	-3.7	100.3	28.17	100.3	27.54	99.6	26.81	99.6	26.17	98.8	25.49	92.5	24.94
	0.0	-0.7	108.5	26.70	108.0	26.07	105.2	25.42	103.2	24.85	100.2	24.31	93.1	23.80
	3.0	2.2	111.4	25.23	110.7	24.60	107.0	24.04	103.4	23.52	100.2	23.13	93.1	22.68
	5.0	4.1	112.6	24.24	111.4	23.62	107.0	23.11	103.4	22.65	100.2	22.34	93.1	21.93
	7.0	6	112.6	23.26	111.4	22.63	107.0	22.19	103.4	21.76	100.2	21.56	93.1	21.18
9.0	7.9	112.6	22.52	111.4	21.91	107.0	21.47	103.4	21.06	100.2	20.87	93.1	20.50	
11.0	9.8	112.6	21.97	111.4	21.37	107.0	20.95	103.4	20.54	100.2	20.35	93.1	19.99	
13.0	11.8	112.6	21.37	111.4	20.80	107.0	20.39	103.4	20.00	100.2	19.81	93.1	19.45	
15.0	13.7	112.6	20.74	111.4	20.18	107.0	19.78	103.4	19.40	100.2	19.22	93.1	18.88	
110	-24.8	-25	51.7	26.16	51.7	26.79	51.4	27.38	51.4	28.33	51.4	28.99	51.3	29.31
	-21.8	-22	62.6	27.10	62.6	27.73	62.2	28.33	62.2	29.28	62.2	29.93	62.1	30.25
	-19.8	-20	65.8	27.73	65.8	28.36	65.4	28.96	65.4	29.90	65.4	30.57	65.2	30.88
	-18.8	-19	67.4	28.05	67.4	28.68	67.0	29.28	67.0	30.22	67.0	30.88	66.9	30.47
	-16.7	-17	70.9	28.71	70.9	29.33	70.5	29.93	70.5	30.88	70.5	30.03	70.3	29.59
	-13.7	-15	75.8	29.65	75.8	30.29	75.3	30.88	75.3	29.59	75.3	28.81	75.3	28.35
	-11.8	-13	78.4	30.25	78.4	30.88	77.8	29.97	77.8	28.78	77.8	28.04	77.8	27.57
	-9.8	-11	81.0	30.88	81.0	29.85	80.5	29.01	80.5	27.91	80.5	27.23	80.5	26.74
	-9.5	-10	81.9	30.71	81.9	29.69	81.4	28.86	81.4	27.78	81.4	27.11	81.4	26.62
	-8.5	-9.1	84.6	30.16	84.6	29.18	84.0	28.38	84.0	27.35	83.8	26.70	83.3	26.20
	-7.0	-7.6	88.7	29.32	88.7	28.40	88.2	27.66	88.2	26.71	86.7	26.09	83.8	25.58
	-5.0	-5.6	94.2	28.20	94.2	27.37	93.6	26.71	92.6	25.85	88.8	25.29	83.8	24.75
	-3.0	-3.7	99.7	27.09	99.7	26.34	96.0	25.74	92.9	24.99	89.7	24.47	83.8	23.93
	0.0	-0.7	106.0	25.41	102.3	24.79	96.0	24.30	92.9	23.69	89.7	23.26	83.8	22.68
	3.0	2.2	108.2	23.73	102.3	23.24	96.0	22.86	92.9	22.41	89.7	22.04	83.8	21.44
	5.0	4.1	108.2	22.62	102.3	22.21	96.0	21.90	92.9	21.54	89.7	21.23	83.8	20.62
	7.0	6	108.2	21.50	102.3	21.18	96.0	20.94	92.9	20.69	89.7	20.42	83.8	19.79
9.0	7.9	108.2	20.72	102.3	20.41	96.0	20.18	92.9	19.93	89.7	19.68	83.8	19.07	
11.0	9.8	108.2	20.11	102.3	19.81	96.0	19.59	92.9	19.35	89.7	19.11	83.8	18.51	
13.0	11.8	108.2	19.47	102.3	19.18	96.0	18.96	92.9	18.73	89.7	18.49	83.8	17.92	
15.0	13.7	108.2	18.79	102.3	18.50	96.0	18.29	92.9	18.07	89.7	17.84	83.8	17.28	

Notes:

1. TC: Total Capacity(kW) PI : Power Input(kW)(Comp. + Outdoor fan motor)
2. Capacity tables show the average value of conditions which may occur.
3. ■■■ is shown as reference. When selecting the outdoor units, avoid the outdoor air temperature range shown by ■■■ .

7. Capacity Tables

Heating Capacity(28HP)

Outdoor Units

Combination (%)	Outdoor air temp		Indoor air temp. °C DB											
			16		18		20		21		22		24	
	°C DB	°C WB	TC	PI	TC	PI	TC	PI	TC	PI	TC	PI	TC	PI
100	-24.8	-25	51.5	29.14	51.5	29.37	51.2	28.48	51.2	29.94	51.2	30.18	51.1	30.30
	-21.8	-22	62.3	29.49	62.3	29.72	62.0	29.38	62.0	30.29	62.0	30.95	61.8	30.65
	-19.8	-20	65.5	29.72	65.5	29.96	65.1	29.98	65.1	30.52	65.1	30.91	65.0	30.88
	-18.8	-19	67.2	29.83	66.7	30.07	66.7	30.29	66.7	30.64	66.7	30.88	66.6	30.38
	-16.7	-17	70.2	30.09	70.2	30.31	70.2	30.95	69.8	30.88	69.8	29.84	69.6	29.33
	-13.7	-15	75.4	30.43	75.4	30.66	75.0	30.88	75.0	29.37	75.0	28.36	74.9	27.83
	-11.8	-13	78.0	30.65	77.5	30.88	77.5	29.87	77.5	28.41	77.5	27.42	76.3	26.87
	-9.8	-11	80.6	30.88	80.6	29.74	80.2	28.80	80.2	27.41	80.2	26.43	76.6	25.86
	-9.5	-10	81.4	30.70	81.4	29.57	81.0	28.63	81.0	27.26	80.8	26.29	76.6	25.71
	-8.5	-9.1	84.2	30.10	84.2	29.00	83.7	28.10	85.0	26.75	82.2	25.79	76.6	25.22
	-7.0	-7.6	89.7	29.21	89.4	28.14	87.8	27.30	85.0	26.00	82.2	25.05	76.6	24.46
	-5.0	-5.6	93.6	28.01	92.7	27.00	87.8	26.23	85.0	24.99	82.2	24.06	76.6	23.45
	-3.0	-3.7	96.4	26.81	93.4	25.86	87.8	25.15	85.0	23.98	82.2	23.07	76.6	22.46
	0.0	-0.7	99.0	25.00	93.4	24.16	87.8	23.55	85.0	22.48	82.2	21.59	76.6	20.95
	3.0	2.2	99.0	23.21	93.4	22.44	87.8	21.95	85.0	20.97	82.2	20.11	76.6	19.44
	5.0	4.1	99.0	22.01	93.4	21.30	87.8	20.88	85.0	19.96	82.2	19.12	76.6	18.45
	7.0	6	99.0	20.81	93.4	20.16	87.8	19.81	85.0	18.95	82.2	18.13	76.6	17.44
	9.0	7.9	99.0	19.86	93.4	19.23	87.8	18.90	85.0	18.08	82.2	17.30	76.6	16.63
11.0	9.8	99.0	19.05	93.4	18.46	87.8	18.14	85.0	17.35	82.2	16.60	76.6	15.97	
13.0	11.8	99.0	18.22	93.4	17.65	87.8	17.34	85.0	16.58	82.2	15.87	76.6	15.26	
15.0	13.7	99.0	17.33	93.4	16.78	87.8	16.49	85.0	15.78	82.2	15.09	76.6	14.51	
90	-24.8	-25	51.3	25.85	51.3	26.79	51.0	27.46	51.0	27.76	51.0	28.40	50.9	29.34
	-21.8	-22	62.0	26.79	62.0	27.74	61.7	28.40	61.7	28.72	61.7	29.34	61.5	28.07
	-19.8	-20	65.3	27.42	65.3	28.36	64.8	29.02	64.8	29.34	64.8	28.47	64.7	27.22
	-18.8	-19	67.2	27.74	66.7	28.68	66.5	29.34	66.5	28.90	66.5	28.03	66.4	26.80
	-16.7	-17	70.2	28.40	70.2	29.34	69.8	28.41	69.8	27.95	69.8	27.13	69.0	25.91
	-13.7	-15	75.4	29.34	75.4	27.97	74.7	27.09	74.7	26.61	74.1	25.82	70.0	24.64
	-11.8	-13	78.0	28.39	77.5	27.09	77.3	26.25	76.7	25.75	75.3	24.99	70.0	23.83
	-9.8	-11	80.6	27.39	80.6	26.17	79.3	25.37	77.8	24.86	75.3	24.12	70.0	22.98
	-9.5	-10	81.4	27.25	81.4	26.03	79.8	25.23	77.8	24.72	75.3	23.99	70.0	22.85
	-8.5	-9.1	84.2	26.75	83.6	25.57	80.3	24.79	77.8	24.28	75.3	23.56	70.0	22.43
	-7.0	-7.6	89.7	26.00	85.3	24.88	80.3	24.13	77.8	23.61	75.3	22.91	70.0	21.80
	-5.0	-5.6	90.6	25.00	85.3	23.96	80.3	23.25	77.8	22.71	75.3	22.03	70.0	20.94
	-3.0	-3.7	90.6	24.01	85.3	23.04	80.3	22.36	77.8	21.81	75.3	21.16	70.0	20.10
	0.0	-0.7	90.6	22.51	85.3	21.66	80.3	21.03	77.8	20.47	75.3	19.85	70.0	18.82
	3.0	2.2	90.6	21.02	85.3	20.28	80.3	19.71	77.8	19.12	75.3	18.56	70.0	17.55
	5.0	4.1	90.6	20.02	85.3	19.36	80.3	18.82	77.8	18.22	75.3	17.68	70.0	16.71
	7.0	6	90.6	19.02	85.3	18.44	80.3	17.94	77.8	17.32	75.3	16.81	70.0	15.85
	9.0	7.9	90.6	18.09	85.3	17.53	80.3	17.06	77.8	16.47	75.3	15.99	70.0	15.08
11.0	9.8	90.6	17.15	85.3	16.62	80.3	16.17	77.8	15.62	75.3	15.16	70.0	14.30	
13.0	11.8	90.6	16.21	85.3	15.71	80.3	15.29	77.8	14.77	75.3	14.33	70.0	13.51	
15.0	13.7	90.6	15.27	85.3	14.80	80.3	14.41	77.8	13.91	75.3	13.50	70.0	12.73	
80	-24.8	-25	51.1	22.52	51.1	23.47	50.8	24.13	50.8	24.45	50.8	26.02	50.7	24.90
	-21.8	-22	61.4	23.47	61.4	24.41	61.4	25.07	61.4	26.02	61.4	24.90	60.8	23.82
	-19.8	-20	64.6	24.10	64.6	25.04	64.6	26.02	64.6	25.23	64.6	24.16	62.5	23.11
	-18.8	-19	66.2	24.41	66.2	26.02	66.2	25.62	66.2	24.83	65.7	23.78	62.5	22.75
	-16.7	-17	69.8	26.02	69.8	25.18	69.8	24.78	68.9	24.00	67.2	22.99	62.5	21.99
	-13.7	-15	71.8	24.78	71.8	23.98	71.8	23.57	69.7	22.82	67.2	21.88	62.5	20.93
	-11.8	-13	73.1	23.99	71.9	23.23	71.8	22.81	69.7	22.06	67.2	21.16	62.5	20.24
	-9.8	-11	76.4	23.16	74.5	22.43	71.8	22.01	69.7	21.27	67.2	20.42	62.5	19.53
	-9.5	-10	77.0	23.04	75.0	22.31	71.8	21.89	69.7	21.16	67.2	20.31	62.5	19.42
	-8.5	-9.1	78.7	22.62	76.6	21.91	71.8	21.49	69.7	20.76	67.2	19.93	62.5	19.06
	-7.0	-7.6	81.2	22.00	76.6	21.32	71.8	20.88	69.7	20.17	67.2	19.37	62.5	18.53
	-5.0	-5.6	81.2	21.17	76.6	20.52	71.8	20.08	69.7	19.38	67.2	18.63	62.5	17.81
	-3.0	-3.7	81.2	20.34	76.6	19.72	71.8	19.27	69.7	18.58	67.2	17.89	62.5	17.10
	0.0	-0.7	81.2	19.10	76.6	18.52	71.8	18.08	69.7	17.40	67.2	16.76	62.5	16.02
	3.0	2.2	81.2	17.86	76.6	17.33	71.8	16.87	69.7	16.21	67.2	15.65	62.5	14.94
	5.0	4.1	81.2	17.03	76.6	16.53	71.8	16.07	69.7	15.42	67.2	14.89	62.5	14.23
	7.0	6	81.2	16.20	76.6	15.73	71.8	15.27	69.7	14.64	67.2	14.15	62.5	13.51
	9.0	7.9	81.2	15.21	76.6	14.78	71.8	14.34	69.7	13.74	67.2	13.29	62.5	12.69
11.0	9.8	81.2	14.12	76.6	13.71	71.8	13.30	69.7	12.75	67.2	12.33	62.5	11.78	
13.0	11.8	81.2	13.18	76.6	12.80	71.8	12.42	69.7	11.90	67.2	11.52	62.5	10.99	
15.0	13.7	81.2	12.41	76.6	12.04	71.8	11.69	69.7	11.20	67.2	10.83	62.5	10.34	

Notes:

1. TC: Total Capacity(kW) PI : Power Input(kW)(Comp. + Outdoor fan motor)
2. Capacity tables show the average value of conditions which may occur.
3. ■■■ is shown as reference. When selecting the outdoor units, avoid the outdoor air temperature range shown by ■■■ .

7. Capacity Tables

Heating Capacity(28HP)

Combination (%)	Outdoor air temp		Indoor air temp. °C DB											
			16		18		20		21		22		24	
	°C DB	°C WB	TC	PI	TC	PI	TC	PI	TC	PI	TC	PI	TC	PI
70	-24.8	-25	51.1	23.19	51.1	23.50	50.8	24.13	50.8	25.07	50.8	23.88	50.6	22.77
	-21.8	-22	60.4	24.13	60.6	24.45	60.2	25.07	59.0	23.88	57.3	22.77	53.5	21.71
	-19.8	-20	64.5	24.76	63.9	25.07	61.1	24.24	59.0	23.09	57.3	22.04	53.5	20.99
	-18.8	-19	66.2	25.07	64.8	24.64	61.1	23.83	59.0	22.70	57.3	21.66	53.5	20.63
	-16.7	-17	68.5	24.18	65.0	23.74	61.1	22.95	59.0	21.87	57.3	20.89	53.5	19.88
	-13.7	-15	68.8	22.90	65.0	22.45	61.1	21.70	59.0	20.68	57.3	19.78	53.5	18.80
	-11.8	-13	68.8	22.09	65.0	21.63	61.1	20.91	59.0	19.93	57.3	19.08	53.5	18.12
	-9.8	-11	68.8	21.24	65.0	20.77	61.1	20.08	59.0	19.14	57.3	18.34	53.5	17.40
	-9.5	-10	68.8	21.12	65.0	20.64	61.1	19.95	59.0	19.02	57.3	18.22	53.5	17.30
	-8.5	-9.1	68.8	20.70	65.0	20.21	61.1	19.54	59.0	18.63	57.3	17.85	53.5	16.94
	-7.0	-7.6	68.8	20.06	65.0	19.57	61.1	18.91	59.0	18.03	57.3	17.30	53.5	16.40
	-5.0	-5.6	68.8	19.21	65.0	18.71	61.1	18.08	59.0	17.24	57.3	16.56	53.5	15.69
	-3.0	-3.7	68.8	18.36	65.0	17.84	61.1	17.25	59.0	16.45	57.3	15.82	53.5	14.97
	0.0	-0.7	68.8	17.08	65.0	16.55	61.1	16.00	59.0	15.27	57.3	14.71	53.5	13.89
	3.0	2.2	68.8	15.81	65.0	15.26	61.1	14.75	59.0	14.08	57.3	13.60	53.5	12.83
	5.0	4.1	68.8	14.96	65.0	14.40	61.1	13.92	59.0	13.29	57.3	12.86	53.5	12.11
	7.0	6	68.8	14.11	65.0	13.54	61.1	13.09	59.0	12.50	57.3	12.12	53.5	11.39
	9.0	7.9	68.8	12.74	65.0	12.23	61.1	11.82	59.0	11.29	57.3	10.94	53.5	10.29
11.0	9.8	68.8	11.87	65.0	11.38	61.1	11.01	59.0	10.50	57.3	10.19	53.5	9.58	
13.0	11.8	68.8	11.10	65.0	10.66	61.1	10.29	59.0	9.83	57.3	9.53	53.5	8.96	
15.0	13.7	68.8	10.46	65.0	10.04	61.1	9.71	59.0	9.27	57.3	8.99	53.5	8.45	
60	-24.8	-25	50.5	22.56	50.5	23.19	50.2	24.13	49.4	22.91	48.7	21.76	45.8	20.68
	-21.8	-22	55.6	23.50	56.0	24.13	52.5	22.91	50.7	21.76	49.0	20.68	45.8	19.64
	-19.8	-20	59.0	24.13	56.0	23.27	52.5	22.09	50.7	21.00	49.0	19.95	45.8	18.93
	-18.8	-19	59.0	23.70	56.0	22.84	52.5	21.69	50.7	20.61	49.0	19.60	45.8	18.58
	-16.7	-17	59.0	22.79	56.0	21.93	52.5	20.83	50.7	19.80	49.0	18.84	45.8	17.85
	-13.7	-15	59.0	21.49	56.0	20.64	52.5	19.61	50.7	18.66	49.0	17.76	45.8	16.81
	-11.8	-13	59.0	20.67	56.0	19.82	52.5	18.84	50.7	17.93	49.0	17.07	45.8	16.14
	-9.8	-11	59.0	19.79	56.0	18.96	52.5	18.02	50.7	17.17	49.0	16.36	45.8	15.45
	-9.5	-10	59.0	19.67	56.0	18.83	52.5	17.90	50.7	17.05	49.0	16.24	45.8	15.34
	-8.5	-9.1	59.0	19.23	56.0	18.40	52.5	17.49	50.7	16.67	49.0	15.89	45.8	14.99
	-7.0	-7.6	59.0	18.59	56.0	17.76	52.5	16.88	50.7	16.09	49.0	15.35	45.8	14.47
	-5.0	-5.6	59.0	17.71	56.0	16.89	52.5	16.06	50.7	15.33	49.0	14.63	45.8	13.76
	-3.0	-3.7	59.0	16.85	56.0	16.03	52.5	15.25	50.7	14.57	49.0	13.90	45.8	13.07
	0.0	-0.7	59.0	15.55	56.0	14.74	52.5	14.03	50.7	13.42	49.0	12.83	45.8	12.03
	3.0	2.2	59.0	14.25	56.0	13.44	52.5	12.81	50.7	12.27	49.0	11.74	45.8	10.97
	5.0	4.1	59.0	13.38	56.0	12.58	52.5	11.99	50.7	11.51	49.0	11.02	45.8	10.28
	7.0	6	59.0	12.52	56.0	11.73	52.5	11.17	50.7	10.74	49.0	10.31	45.8	9.58
	9.0	7.9	59.0	11.17	56.0	10.46	52.5	9.97	50.7	9.59	49.0	9.19	45.8	8.55
11.0	9.8	59.0	10.43	56.0	9.77	52.5	9.31	50.7	8.94	49.0	8.59	45.8	7.98	
13.0	11.8	59.0	9.77	56.0	9.15	52.5	8.73	50.7	8.38	49.0	8.04	45.8	7.48	
15.0	13.7	59.0	9.24	56.0	8.64	52.5	8.24	50.7	7.92	49.0	7.59	45.8	7.07	
50	-24.8	-25	49.3	20.66	46.5	21.60	43.7	20.46	42.3	19.39	40.9	18.37	38.1	17.42
	-21.8	-22	49.3	21.60	46.5	20.46	43.7	19.39	42.3	18.37	40.9	17.42	38.1	16.52
	-19.8	-20	49.3	20.80	46.5	19.69	43.7	18.67	42.3	17.69	40.9	16.80	38.1	15.92
	-18.8	-19	49.3	20.40	46.5	19.31	43.7	18.32	42.3	17.36	40.9	16.48	38.1	15.61
	-16.7	-17	49.3	19.57	46.5	18.51	43.7	17.56	42.3	16.65	40.9	15.83	38.1	14.98
	-13.7	-15	49.3	18.36	46.5	17.36	43.7	16.49	42.3	15.64	40.9	14.88	38.1	14.07
	-11.8	-13	49.3	17.60	46.5	16.64	43.7	15.82	42.3	14.99	40.9	14.29	38.1	13.50
	-9.8	-11	49.3	16.80	46.5	15.87	43.7	15.10	42.3	14.32	40.9	13.66	38.1	12.89
	-9.5	-10	49.3	16.68	46.5	15.76	43.7	14.99	42.3	14.22	40.9	13.57	38.1	12.80
	-8.5	-9.1	49.3	16.28	46.5	15.38	43.7	14.63	42.3	13.88	40.9	13.25	38.1	12.50
	-7.0	-7.6	49.3	15.69	46.5	14.80	43.7	14.10	42.3	13.37	40.9	12.78	38.1	12.05
	-5.0	-5.6	49.3	14.89	46.5	14.03	43.7	13.38	42.3	12.70	40.9	12.15	38.1	11.45
	-3.0	-3.7	49.3	14.09	46.5	13.27	43.7	12.67	42.3	12.03	40.9	11.52	38.1	10.84
	0.0	-0.7	49.3	12.89	46.5	12.12	43.7	11.60	42.3	11.01	40.9	10.58	38.1	9.93
	3.0	2.2	49.3	11.69	46.5	10.98	43.7	10.53	42.3	10.00	40.9	9.64	38.1	9.03
	5.0	4.1	49.3	10.90	46.5	10.22	43.7	9.81	42.3	9.33	40.9	9.01	38.1	8.42
	7.0	6	49.3	10.10	46.5	9.45	43.7	9.10	42.3	8.65	40.9	8.38	38.1	7.82
	9.0	7.9	49.3	9.12	46.5	8.54	43.7	8.22	42.3	7.82	40.9	7.57	38.1	7.06
11.0	9.8	49.3	8.53	46.5	7.99	43.7	7.69	42.3	7.31	40.9	7.08	38.1	6.61	
13.0	11.8	49.3	8.01	46.5	7.50	43.7	7.22	42.3	6.86	40.9	6.65	38.1	6.20	
15.0	13.7	49.3	7.58	46.5	7.10	43.7	6.84	42.3	6.49	40.9	6.29	38.1	5.87	

Notes:

1. TC: Total Capacity(kW) PI : Power Input(kW)(Comp. + Outdoor fan motor)
2. Capacity tables show the average value of conditions which may occur.
3. ■■■ is shown as reference. When selecting the outdoor units, avoid the outdoor air temperature range shown by ■■■ .

7. Capacity Tables

ARUB300LTE4

Heating Capacity(30HP)

Outdoor Units

Combination (%)	Outdoor air temp		Indoor air temp. °C DB											
			16		18		20		21		22		24	
	°C DB	°C WB	TC	PI	TC	PI	TC	PI	TC	PI	TC	PI	TC	PI
130	-24.8	-25	61.2	30.7	61.2	31.02	60.8	31.32	60.8	31.77	60.8	32.21	60.0	32.90
	-21.8	-22	72.6	31.37	72.6	31.71	72.1	32.01	72.1	32.46	72.1	32.90	71.2	33.59
	-19.8	-20	75.7	31.82	75.7	32.16	75.2	32.46	75.2	32.92	75.2	33.36	74.2	34.05
	-18.8	-19	77.3	32.05	77.3	32.39	76.8	32.69	76.8	33.16	76.8	33.59	75.8	34.28
	-16.7	-17	80.7	32.53	80.7	32.88	80.1	33.17	80.1	33.63	80.1	34.06	79.0	34.76
	-13.7	-15	85.5	33.22	85.5	33.56	84.9	33.86	84.9	34.32	84.9	34.76	83.8	33.25
	-11.8	-13	88.2	33.66	88.2	34.00	87.7	34.30	87.7	34.76	87.7	33.73	86.7	32.28
	-9.8	-11	91.2	34.11	91.2	34.46	90.6	34.76	90.6	33.63	90.6	32.63	89.6	31.27
	-9.5	-10	91.7	34.18	91.7	34.53	91.2	34.58	91.2	33.47	91.0	32.47	90.1	31.12
	-8.5	-9.1	93.7	34.42	93.7	34.76	93.2	33.99	93.2	32.91	92.5	31.93	91.5	30.61
	-7.0	-7.6	96.7	34.76	96.7	33.88	96.1	33.12	96.1	32.07	96.1	31.11	94.4	29.86
	-5.0	-5.6	100.7	33.58	100.7	32.71	100.0	31.95	100.0	30.95	100.0	30.03	97.4	28.85
	-3.0	-3.7	104.6	32.41	104.6	31.54	103.9	30.79	103.9	29.82	103.9	28.93	100.6	27.84
	0.0	-0.7	110.4	30.65	110.4	29.79	109.8	29.04	109.8	28.14	109.8	27.31	105.0	26.32
	3.0	2.2	116.4	28.89	116.4	28.03	115.6	27.28	115.6	26.46	114.1	25.67	106.7	24.81
	5.0	4.1	119.8	27.72	119.8	26.86	119.2	26.12	118.0	25.34	114.6	24.58	106.7	23.81
	7.0	6	122.0	26.55	122.0	25.69	121.3	24.95	118.7	24.22	114.6	23.50	106.7	22.80
	9.0	7.9	122.2	25.55	122.2	24.74	121.8	24.01	118.7	23.32	114.6	22.62	106.7	21.94
11.0	9.8	122.2	24.79	122.2	23.98	121.8	23.29	118.7	22.61	114.6	21.94	106.7	21.28	
13.0	11.8	122.2	23.95	122.2	23.18	121.8	22.51	118.7	21.85	114.6	21.21	106.7	20.57	
15.0	13.7	122.2	23.08	122.2	22.34	121.8	21.69	118.7	21.06	114.6	20.43	106.7	19.82	
120	-24.8	-25	60.8	31.02	60.8	31.32	60.4	31.77	60.4	32.21	60.4	32.90	59.6	33.38
	-21.8	-22	72.1	31.71	72.1	32.01	71.6	32.46	71.6	32.90	71.6	33.59	70.7	34.06
	-19.8	-20	75.1	32.16	75.1	32.46	74.6	32.92	74.6	33.36	74.6	34.05	73.7	34.53
	-18.8	-19	76.7	32.39	76.7	32.69	76.2	33.16	76.2	33.59	76.2	34.28	75.3	34.76
	-16.7	-17	80.1	32.88	80.1	33.17	79.6	33.63	79.6	34.06	79.6	34.76	78.5	33.79
	-13.7	-15	84.8	33.56	84.8	33.86	84.3	34.32	84.3	34.76	84.3	33.30	83.2	32.39
	-11.8	-13	87.6	34.00	87.6	34.30	87.0	34.76	87.0	33.71	87.0	32.36	86.1	31.51
	-9.8	-11	90.5	34.46	90.5	34.76	90.0	33.60	90.0	32.63	90.0	31.39	89.0	30.58
	-9.5	-10	91.1	34.53	91.1	34.57	90.6	33.42	90.6	32.45	90.6	31.25	89.6	30.45
	-8.5	-9.1	93.1	34.76	93.1	33.96	92.5	32.84	92.5	31.91	92.3	30.76	91.3	29.98
	-7.0	-7.6	96.0	33.81	96.0	33.03	95.4	31.97	95.4	31.08	94.8	30.02	93.7	29.28
	-5.0	-5.6	99.9	32.56	99.9	31.78	99.3	30.82	99.3	30.00	99.3	29.05	96.8	28.35
	-3.0	-3.7	103.9	31.30	103.9	30.54	103.2	29.67	103.2	28.90	103.2	28.08	99.4	27.43
	0.0	-0.7	109.7	29.42	109.7	28.69	109.0	27.93	109.0	27.26	107.8	26.62	100.2	26.03
	3.0	2.2	115.6	27.55	115.6	26.84	113.9	26.20	111.3	25.61	107.8	25.15	100.2	24.64
	5.0	4.1	118.9	26.29	118.4	25.60	115.2	25.04	111.3	24.52	107.8	24.17	100.2	23.72
	7.0	6	121.0	25.03	119.9	24.36	115.2	23.88	111.3	23.42	107.8	23.20	100.2	22.79
	9.0	7.9	121.2	24.07	119.9	23.41	115.2	22.94	111.3	22.51	107.8	22.30	100.2	21.90
11.0	9.8	121.2	23.29	119.9	22.66	115.2	22.21	111.3	21.78	107.8	21.58	100.2	21.19	
13.0	11.8	121.2	22.46	119.9	21.86	115.2	21.43	111.3	21.02	107.8	20.82	100.2	20.44	
15.0	13.7	121.2	21.60	119.9	21.01	115.2	20.59	111.3	20.20	107.8	20.02	100.2	19.66	
110	-24.8	-25	60.4	31.32	60.4	31.77	60.1	32.21	60.1	32.90	60.1	33.38	59.3	33.61
	-21.8	-22	71.8	32.01	71.8	32.46	71.3	32.90	71.3	33.59	71.3	34.06	70.4	34.30
	-19.8	-20	74.7	32.46	74.7	32.92	74.3	33.36	74.3	34.05	74.3	34.53	73.2	34.76
	-18.8	-19	76.3	32.69	76.3	33.16	75.8	33.59	75.8	34.28	75.8	34.76	74.8	34.26
	-16.7	-17	79.6	33.17	79.6	33.63	79.1	34.06	79.1	34.76	79.1	33.72	78.0	33.19
	-13.7	-15	84.4	33.86	84.4	34.32	83.8	34.76	83.8	33.18	83.8	32.23	83.8	31.69
	-11.8	-13	87.2	34.30	87.2	34.76	86.5	33.63	86.5	32.18	86.5	31.29	86.5	30.74
	-9.8	-11	90.0	34.76	90.0	33.48	89.5	32.45	89.5	31.12	89.5	30.29	88.8	29.74
	-9.5	-10	90.6	34.54	90.6	33.29	90.1	32.28	90.1	30.96	90.1	30.15	89.9	29.58
	-8.5	-9.1	92.6	33.86	92.6	32.66	92.0	31.69	92.0	30.43	92.0	29.65	90.2	29.08
	-7.0	-7.6	95.5	32.82	95.5	31.70	94.9	30.80	94.9	29.64	94.9	28.91	90.2	28.33
	-5.0	-5.6	99.4	31.43	99.4	30.43	98.7	29.62	98.7	28.59	96.5	27.92	90.2	27.32
	-3.0	-3.7	103.2	30.06	103.2	29.16	102.5	28.43	100.0	27.53	96.5	26.93	90.2	26.32
	0.0	-0.7	109.1	27.98	108.7	27.25	103.3	26.67	100.0	25.95	96.5	25.45	90.2	24.81
	3.0	2.2	114.5	25.90	110.1	25.33	103.3	24.90	100.0	24.37	96.5	23.95	90.2	23.30
	5.0	4.1	116.5	24.52	110.1	24.06	103.3	23.72	100.0	23.31	96.5	22.97	90.2	22.30
	7.0	6	116.5	23.14	110.1	22.79	103.3	22.54	100.0	22.27	96.5	21.97	90.2	21.30
	9.0	7.9	116.5	22.15	110.1	21.82	103.3	21.57	100.0	21.30	96.5	21.04	90.2	20.39
11.0	9.8	116.5	21.34	110.1	21.01	103.3	20.78	100.0	20.53	96.5	20.27	90.2	19.64	
13.0	11.8	116.5	20.48	110.1	20.17	103.3	19.94	100.0	19.70	96.5	19.45	90.2	18.84	
15.0	13.7	116.5	19.57	110.1	19.27	103.3	19.06	100.0	18.83	96.5	18.59	90.2	18.01	

Notes:

1. TC: Total Capacity(kW) PI : Power Input(kW)(Comp. + Outdoor fan motor)
2. Capacity tables show the average value of conditions which may occur.
3. ■ is shown as reference. When selecting the outdoor units, avoid the outdoor air temperature range shown by ■.

7. Capacity Tables

Heating Capacity(30HP)

Combination (%)	Outdoor air temp		Indoor air temp. °C DB											
			16		18		20		21		22		24	
	°C DB	°C WB	TC	PI	TC	PI	TC	PI	TC	PI	TC	PI	TC	PI
100	-24.8	-25	60.1	33.62	60.1	33.77	59.8	32.46	59.8	34.14	59.8	34.30	59.0	34.38
	-21.8	-22	71.4	33.84	71.4	34.00	71.0	33.49	71.0	34.37	71.0	34.85	70.0	34.61
	-19.8	-20	74.4	34.00	74.4	34.15	73.9	34.14	73.9	34.52	73.9	34.79	73.0	34.76
	-18.8	-19	76.0	34.07	75.5	34.22	75.5	34.37	75.5	34.60	75.5	34.76	74.5	34.16
	-16.7	-17	78.8	34.24	78.8	34.38	78.8	34.85	78.4	34.76	78.4	33.52	77.3	32.91
	-13.7	-15	84.0	34.46	84.0	34.61	83.5	34.76	83.5	32.93	83.5	31.74	82.4	31.12
	-11.8	-13	86.7	34.61	86.2	34.76	86.2	33.53	86.2	31.78	86.2	30.62	82.4	29.99
	-9.8	-11	89.5	34.76	89.5	33.37	89.2	32.23	89.2	30.58	88.5	29.44	82.4	28.79
	-9.5	-10	90.1	34.54	90.1	33.16	89.7	32.03	89.7	30.40	88.5	29.27	82.4	28.61
	-8.5	-9.1	92.1	33.80	92.1	32.46	91.6	31.38	91.5	29.79	88.5	28.67	82.4	28.02
	-7.0	-7.6	96.5	32.70	96.2	31.42	94.5	30.41	91.5	28.88	88.5	27.78	82.4	27.12
	-5.0	-5.6	100.8	31.23	99.8	30.03	94.5	29.11	91.5	27.67	88.5	26.60	82.4	25.92
	-3.0	-3.7	103.7	29.76	100.5	28.64	94.5	27.81	91.5	26.45	88.5	25.42	82.4	24.74
	0.0	-0.7	106.6	27.54	100.5	26.56	94.5	25.86	91.5	24.64	88.5	23.65	82.4	22.95
	3.0	2.2	106.6	25.34	100.5	24.47	94.5	23.92	91.5	22.82	88.5	21.87	82.4	21.15
	5.0	4.1	106.6	23.87	100.5	23.09	94.5	22.62	91.5	21.61	88.5	20.69	82.4	19.96
	7.0	6	106.6	22.40	100.5	21.70	94.5	21.32	91.5	20.40	88.5	19.52	82.4	18.77
	9.0	7.9	106.6	21.12	100.5	20.45	94.5	20.10	91.5	19.23	88.5	18.40	82.4	17.69
11.0	9.8	106.6	20.00	100.5	19.38	94.5	19.04	91.5	18.21	88.5	17.43	82.4	16.76	
13.0	11.8	106.6	18.83	100.5	18.24	94.5	17.92	91.5	17.14	88.5	16.40	82.4	15.78	
15.0	13.7	106.6	17.59	100.5	17.04	94.5	16.74	91.5	16.02	88.5	15.32	82.4	14.74	
90	-24.8	-25	59.9	30.50	59.9	31.19	59.6	31.67	59.6	31.89	59.6	32.35	58.8	33.04
	-21.8	-22	71.1	31.19	71.1	31.87	70.7	32.35	70.7	32.59	70.7	33.04	69.7	31.54
	-19.8	-20	74.1	31.64	74.1	32.33	73.6	32.81	73.6	33.04	73.6	32.00	72.7	30.53
	-18.8	-19	76.0	31.87	75.5	32.56	75.2	33.04	75.2	32.51	75.2	31.48	74.2	30.03
	-16.7	-17	78.8	32.35	78.8	33.04	78.4	31.92	78.4	31.37	78.4	30.40	75.3	28.97
	-13.7	-15	84.0	33.04	84.0	31.37	83.2	30.33	83.2	29.77	81.1	28.84	75.3	27.47
	-11.8	-13	86.7	31.89	86.2	30.31	85.9	29.32	83.8	28.74	81.1	27.85	75.3	26.51
	-9.8	-11	89.5	30.67	89.5	29.20	86.5	28.25	83.8	27.68	81.1	26.81	75.3	25.51
	-9.5	-10	90.1	30.49	90.1	29.04	86.5	28.09	83.8	27.51	81.1	26.66	75.3	25.35
	-8.5	-9.1	92.1	29.88	91.4	28.47	86.5	27.56	83.8	26.97	81.1	26.14	75.3	24.85
	-7.0	-7.6	96.5	28.97	91.8	27.64	86.5	26.76	83.8	26.17	81.1	25.36	75.3	24.10
	-5.0	-5.6	97.6	27.75	91.8	26.52	86.5	25.70	83.8	25.09	81.1	24.32	75.3	23.09
	-3.0	-3.7	97.6	26.55	91.8	25.41	86.5	24.63	83.8	24.02	81.1	23.28	75.3	22.09
	0.0	-0.7	97.6	24.72	91.8	23.74	86.5	23.03	83.8	22.41	81.1	21.72	75.3	20.58
	3.0	2.2	97.6	22.90	91.8	22.07	86.5	21.44	83.8	20.80	81.1	20.17	75.3	19.07
	5.0	4.1	97.6	21.69	91.8	20.95	86.5	20.37	83.8	19.72	81.1	19.13	75.3	18.07
	7.0	6	97.6	20.47	91.8	19.84	86.5	19.31	83.8	18.65	81.1	18.09	75.3	17.06
	9.0	7.9	97.6	19.35	91.8	18.75	86.5	18.24	83.8	17.62	81.1	17.10	75.3	16.12
11.0	9.8	97.6	18.21	91.8	17.65	86.5	17.18	83.8	16.59	81.1	16.10	75.3	15.19	
13.0	11.8	97.6	17.09	91.8	16.56	86.5	16.12	83.8	15.56	81.1	15.10	75.3	14.24	
15.0	13.7	97.6	15.96	91.8	15.47	86.5	15.05	83.8	14.54	81.1	14.10	75.3	13.30	
80	-24.8	-25	59.6	26.75	59.6	27.44	59.3	27.92	59.3	28.15	59.3	29.30	58.5	27.97
	-21.8	-22	70.4	27.44	70.4	28.12	70.4	28.61	70.4	29.30	70.4	27.97	67.3	26.70
	-19.8	-20	73.3	27.90	73.3	28.59	73.3	29.30	73.3	28.36	72.1	27.09	67.3	25.86
	-18.8	-19	74.9	28.12	74.9	29.30	74.9	28.82	74.4	27.88	72.3	26.65	67.3	25.44
	-16.7	-17	77.3	29.30	77.3	28.29	77.3	27.81	75.0	26.90	72.3	25.71	67.3	24.55
	-13.7	-15	77.3	27.80	77.3	26.85	77.3	26.37	75.0	25.49	72.3	24.39	67.3	23.29
	-11.8	-13	79.9	26.85	77.8	25.95	77.3	25.46	75.0	24.59	72.3	23.54	67.3	22.48
	-9.8	-11	83.0	25.85	80.6	24.99	77.3	24.50	75.0	23.65	72.3	22.66	67.3	21.64
	-9.5	-10	83.5	25.69	81.0	24.84	77.3	24.36	75.0	23.51	72.3	22.53	67.3	21.51
	-8.5	-9.1	85.1	25.19	82.4	24.36	77.3	23.88	75.0	23.04	72.3	22.09	67.3	21.09
	-7.0	-7.6	87.4	24.44	82.4	23.64	77.3	23.15	75.0	22.34	72.3	21.42	67.3	20.46
	-5.0	-5.6	87.4	23.44	82.4	22.68	77.3	22.19	75.0	21.39	72.3	20.54	67.3	19.61
	-3.0	-3.7	87.4	22.44	82.4	21.73	77.3	21.23	75.0	20.45	72.3	19.66	67.3	18.77
	0.0	-0.7	87.4	20.94	82.4	20.29	77.3	19.80	75.0	19.04	72.3	18.33	67.3	17.50
	3.0	2.2	87.4	19.44	82.4	18.85	77.3	18.35	75.0	17.63	72.3	17.00	67.3	16.23
	5.0	4.1	87.4	18.44	82.4	17.89	77.3	17.39	75.0	16.68	72.3	16.11	67.3	15.39
	7.0	6	87.4	17.44	82.4	16.93	77.3	16.43	75.0	15.75	72.3	15.23	67.3	14.54
	9.0	7.9	87.4	16.37	82.4	15.90	77.3	15.43	75.0	14.78	72.3	14.30	67.3	13.65
11.0	9.8	87.4	15.20	82.4	14.75	77.3	14.31	75.0	13.72	72.3	13.27	67.3	12.67	
13.0	11.8	87.4	14.18	82.4	13.77	77.3	13.37	75.0	12.81	72.3	12.39	67.3	11.83	
15.0	13.7	87.4	13.35	82.4	12.96	77.3	12.58	75.0	12.06	72.3	11.66	67.3	11.13	

Notes:

1. TC: Total Capacity(kW) PI : Power Input(kW)(Comp. + Outdoor fan motor)
2. Capacity tables show the average value of conditions which may occur.
3. ■ is shown as reference. When selecting the outdoor units, avoid the outdoor air temperature range shown by ■.

7. Capacity Tables

Heating Capacity(30HP)

Combination (%)	Outdoor air temp		Indoor air temp. °C DB											
			16		18		20		21		22		24	
	°C DB	°C WB	TC	PI	TC	PI	TC	PI	TC	PI	TC	PI	TC	PI
70	-24.8	-25	59.6	27.08	59.6	27.31	59.3	27.77	59.3	28.45	59.3	27.04	57.5	25.72
	-21.8	-22	66.3	27.77	66.3	28.00	65.8	28.45	63.6	27.04	61.7	25.72	57.5	24.45
	-19.8	-20	70.6	28.23	70.0	28.45	65.8	27.46	63.6	26.09	61.7	24.84	57.5	23.60
	-18.8	-19	72.6	28.45	70.0	27.93	65.8	26.96	63.6	25.62	61.7	24.39	57.5	23.18
	-16.7	-17	74.1	27.37	70.0	26.85	65.8	25.91	63.6	24.63	61.7	23.47	57.5	22.29
	-13.7	-15	74.1	25.83	70.0	25.30	65.8	24.41	63.6	23.22	61.7	22.15	57.5	21.02
	-11.8	-13	74.1	24.85	70.0	24.31	65.8	23.46	63.6	22.32	61.7	21.32	57.5	20.22
	-9.8	-11	74.1	23.82	70.0	23.28	65.8	22.47	63.6	21.38	61.7	20.44	57.5	19.37
	-9.5	-10	74.1	23.67	70.0	23.12	65.8	22.31	63.6	21.23	61.7	20.30	57.5	19.24
	-8.5	-9.1	74.1	23.16	70.0	22.60	65.8	21.82	63.6	20.76	61.7	19.86	57.5	18.82
	-7.0	-7.6	74.1	22.39	70.0	21.83	65.8	21.07	63.6	20.05	61.7	19.21	57.5	18.18
	-5.0	-5.6	74.1	21.36	70.0	20.79	65.8	20.07	63.6	19.11	61.7	18.32	57.5	17.34
	-3.0	-3.7	74.1	20.33	70.0	19.75	65.8	19.07	63.6	18.17	61.7	17.44	57.5	16.49
	0.0	-0.7	74.1	18.78	70.0	18.20	65.8	17.58	63.6	16.75	61.7	16.12	57.5	15.22
	3.0	2.2	74.1	17.24	70.0	16.64	65.8	16.08	63.6	15.34	61.7	14.80	57.5	13.96
	5.0	4.1	74.1	16.21	70.0	15.61	65.8	15.09	63.6	14.39	61.7	13.92	57.5	13.11
	7.0	6	74.1	15.18	70.0	14.58	65.8	14.08	63.6	13.45	61.7	13.05	57.5	12.26
	9.0	7.9	74.1	13.71	70.0	13.16	65.8	12.72	63.6	12.15	61.7	11.78	57.5	11.07
11.0	9.8	74.1	12.77	70.0	12.25	65.8	11.85	63.6	11.30	61.7	10.97	57.5	10.31	
13.0	11.8	74.1	11.95	70.0	11.47	65.8	11.08	63.6	10.58	61.7	10.25	57.5	9.65	
15.0	13.7	74.1	11.26	70.0	10.80	65.8	10.45	63.6	9.97	61.7	9.67	57.5	9.09	
60	-24.8	-25	56.8	26.63	56.8	27.08	56.5	27.77	54.5	26.28	52.7	24.90	49.3	23.59
	-21.8	-22	60.8	27.31	60.2	27.77	56.5	26.28	54.5	24.90	52.7	23.59	49.3	22.34
	-19.8	-20	63.6	27.77	60.2	26.72	56.5	25.29	54.5	23.97	52.7	22.72	49.3	21.50
	-18.8	-19	63.6	27.23	60.2	26.19	56.5	24.80	54.5	23.50	52.7	22.29	49.3	21.08
	-16.7	-17	63.6	26.12	60.2	25.08	56.5	23.76	54.5	22.53	52.7	21.38	49.3	20.21
	-13.7	-15	63.6	24.52	60.2	23.50	56.5	22.28	54.5	21.14	52.7	20.07	49.3	18.96
	-11.8	-13	63.6	23.50	60.2	22.51	56.5	21.33	54.5	20.26	52.7	19.25	49.3	18.16
	-9.8	-11	63.6	22.43	60.2	21.46	56.5	20.34	54.5	19.34	52.7	18.38	49.3	17.33
	-9.5	-10	63.6	22.27	60.2	21.30	56.5	20.20	54.5	19.20	52.7	18.25	49.3	17.21
	-8.5	-9.1	63.6	21.74	60.2	20.77	56.5	19.69	54.5	18.74	52.7	17.82	49.3	16.78
	-7.0	-7.6	63.6	20.94	60.2	19.98	56.5	18.96	54.5	18.04	52.7	17.17	49.3	16.16
	-5.0	-5.6	63.6	19.87	60.2	18.93	56.5	17.97	54.5	17.11	52.7	16.30	49.3	15.32
	-3.0	-3.7	63.6	18.80	60.2	17.88	56.5	16.98	54.5	16.19	52.7	15.43	49.3	14.49
	0.0	-0.7	63.6	17.20	60.2	16.30	56.5	15.49	54.5	14.80	52.7	14.13	49.3	13.24
	3.0	2.2	63.6	15.60	60.2	14.72	56.5	14.01	54.5	13.41	52.7	12.82	49.3	11.98
	5.0	4.1	63.6	14.54	60.2	13.67	56.5	13.02	54.5	12.49	52.7	11.95	49.3	11.15
	7.0	6	63.6	13.47	60.2	12.62	56.5	12.03	54.5	11.56	52.7	11.09	49.3	10.32
	9.0	7.9	63.6	12.02	60.2	11.25	56.5	10.73	54.5	10.32	52.7	9.89	49.3	9.20
11.0	9.8	63.6	11.22	60.2	10.52	56.5	10.02	54.5	9.63	52.7	9.24	49.3	8.59	
13.0	11.8	63.6	10.52	60.2	9.85	56.5	9.39	54.5	9.02	52.7	8.65	49.3	8.05	
15.0	13.7	63.6	9.94	60.2	9.30	56.5	8.87	54.5	8.52	52.7	8.17	49.3	7.61	
50	-24.8	-25	53.0	23.64	50.0	24.32	47.0	22.99	45.5	21.75	44.0	20.57	41.0	19.48
	-21.8	-22	53.0	24.32	50.0	22.99	47.0	21.75	45.5	20.57	44.0	19.48	41.0	18.43
	-19.8	-20	53.0	23.39	50.0	22.10	47.0	20.91	45.5	19.78	44.0	18.76	41.0	17.74
	-18.8	-19	53.0	22.92	50.0	21.66	47.0	20.50	45.5	19.40	44.0	18.39	41.0	17.39
	-16.7	-17	53.0	21.94	50.0	20.72	47.0	19.62	45.5	18.58	44.0	17.63	41.0	16.66
	-13.7	-15	53.0	20.53	50.0	19.39	47.0	18.38	45.5	17.40	44.0	16.53	41.0	15.62
	-11.8	-13	53.0	19.65	50.0	18.54	47.0	17.60	45.5	16.66	44.0	15.85	41.0	14.96
	-9.8	-11	53.0	18.71	50.0	17.65	47.0	16.76	45.5	15.88	44.0	15.12	41.0	14.26
	-9.5	-10	53.0	18.57	50.0	17.52	47.0	16.64	45.5	15.76	44.0	15.02	41.0	14.16
	-8.5	-9.1	53.0	18.10	50.0	17.07	47.0	16.22	45.5	15.36	44.0	14.65	41.0	13.81
	-7.0	-7.6	53.0	17.40	50.0	16.40	47.0	15.61	45.5	14.78	44.0	14.10	41.0	13.28
	-5.0	-5.6	53.0	16.47	50.0	15.51	47.0	14.77	45.5	14.00	44.0	13.38	41.0	12.59
	-3.0	-3.7	53.0	15.54	50.0	14.62	47.0	13.95	45.5	13.22	44.0	12.65	41.0	11.89
	0.0	-0.7	53.0	14.14	50.0	13.29	47.0	12.70	45.5	12.05	44.0	11.56	41.0	10.85
	3.0	2.2	53.0	12.74	50.0	11.95	47.0	11.46	45.5	10.87	44.0	10.48	41.0	9.81
	5.0	4.1	53.0	11.80	50.0	11.06	47.0	10.62	45.5	10.09	44.0	9.75	41.0	9.11
	7.0	6	53.0	10.87	50.0	10.17	47.0	9.80	45.5	9.31	44.0	9.02	41.0	8.42
	9.0	7.9	53.0	9.81	50.0	9.19	47.0	8.85	45.5	8.41	44.0	8.14	41.0	7.60
11.0	9.8	53.0	9.18	50.0	8.59	47.0	8.27	45.5	7.87	44.0	7.62	41.0	7.11	
13.0	11.8	53.0	8.62	50.0	8.07	47.0	7.77	45.5	7.39	44.0	7.16	41.0	6.67	
15.0	13.7	53.0	8.16	50.0	7.64	47.0	7.36	45.5	6.99	44.0	6.77	41.0	6.32	

Notes:

1. TC: Total Capacity(kW) PI : Power Input(kW)(Comp. + Outdoor fan motor)
2. Capacity tables show the average value of conditions which may occur.
3. ■■■ is shown as reference. When selecting the outdoor units, avoid the outdoor air temperature range shown by ■■■ .

7. Capacity Tables

ARUB320LTE4

Heating Capacity(32HP)

Combination (%)	Outdoor air temp		Indoor air temp. °C DB											
			16		18		20		21		22		24	
	°C DB	°C WB	TC	PI	TC	PI	TC	PI	TC	PI	TC	PI	TC	PI
130	-24.8	-25	63.4	33.2	63.4	33.48	63.0	33.73	63.0	34.11	63.0	34.48	62.2	35.05
	-21.8	-22	76.4	33.77	76.4	34.06	75.9	34.31	75.9	34.69	75.9	35.05	74.9	35.64
	-19.8	-20	80.3	34.15	80.3	34.44	79.7	34.69	79.7	35.08	79.7	35.44	78.7	36.02
	-18.8	-19	82.0	34.34	82.0	34.63	81.5	34.88	81.5	35.27	81.5	35.64	80.4	36.22
	-16.7	-17	85.8	34.75	85.8	35.04	85.3	35.29	85.3	35.67	85.3	36.04	84.1	36.62
	-13.7	-15	91.2	35.33	91.2	35.62	90.7	35.87	90.7	36.26	90.7	36.62	89.4	35.15
	-11.8	-13	94.2	35.69	94.2	35.98	93.6	36.23	93.6	36.62	93.6	36.62	92.7	34.20
	-9.8	-11	97.3	36.08	97.3	36.37	96.7	36.62	96.7	35.54	96.7	34.56	95.9	33.22
	-9.5	-10	97.9	36.14	97.9	36.43	97.3	36.46	97.3	35.38	97.2	34.41	96.4	33.08
	-8.5	-9.1	100.0	36.34	100.0	36.62	99.4	35.90	99.4	34.85	98.7	33.88	98.1	32.58
	-7.0	-7.6	103.2	36.62	103.2	35.80	102.5	35.07	102.5	34.04	102.5	33.09	101.2	31.84
	-5.0	-5.6	107.3	35.54	107.3	34.70	106.6	33.96	106.6	32.96	106.6	32.04	104.6	30.85
	-3.0	-3.7	111.5	34.46	111.5	33.60	110.8	32.85	110.8	31.88	110.8	30.98	108.1	29.87
	0.0	-0.7	117.6	32.84	117.6	31.96	117.0	31.18	117.0	30.27	117.0	29.41	113.1	28.39
	3.0	2.2	123.9	31.21	123.9	30.30	123.1	29.51	123.1	28.65	121.6	27.82	113.8	26.91
	5.0	4.1	127.6	30.13	127.6	29.21	126.9	28.41	125.7	27.58	122.2	26.76	113.8	25.93
	7.0	6	129.9	29.05	129.9	28.11	129.2	27.30	126.7	26.50	122.2	25.71	113.8	24.94
9.0	7.9	130.3	28.14	130.3	27.24	129.9	26.45	126.7	25.68	122.2	24.91	113.8	24.17	
11.0	9.8	130.3	27.49	130.3	26.60	129.9	25.83	126.7	25.08	122.2	24.34	113.8	23.60	
13.0	11.8	130.3	26.78	130.3	25.91	129.9	25.16	126.7	24.43	122.2	23.71	113.8	22.99	
15.0	13.7	130.3	26.03	130.3	25.19	129.9	24.45	126.7	23.75	122.2	23.03	113.8	22.35	
120	-24.8	-25	63.0	33.48	63.0	33.73	62.5	34.11	62.5	34.48	62.5	35.05	61.7	35.46
	-21.8	-22	75.9	34.06	75.9	34.31	75.4	34.69	75.4	35.05	75.4	35.64	74.4	36.04
	-19.8	-20	79.7	34.44	79.7	34.69	79.2	35.08	79.2	35.44	79.2	36.02	78.1	36.43
	-18.8	-19	81.5	34.63	81.5	34.88	81.0	35.27	81.0	35.64	81.0	36.22	79.9	36.62
	-16.7	-17	85.3	35.04	85.3	35.29	84.7	35.67	84.7	36.04	84.7	36.62	83.5	35.67
	-13.7	-15	90.5	35.62	90.5	35.87	90.0	36.26	90.0	36.62	90.0	35.20	88.8	34.31
	-11.8	-13	93.5	35.98	93.5	36.23	92.9	36.62	92.9	35.61	92.9	34.29	92.0	33.45
	-9.8	-11	96.6	36.37	96.6	36.62	96.0	35.51	96.0	34.55	96.0	33.35	95.3	32.55
	-9.5	-10	97.3	36.43	97.3	36.44	96.7	35.34	96.7	34.39	96.7	33.21	95.9	32.41
	-8.5	-9.1	99.3	36.62	99.3	35.85	98.7	34.78	98.7	33.86	98.7	32.73	97.8	31.95
	-7.0	-7.6	102.4	35.73	102.4	34.96	101.8	33.94	101.8	33.06	101.6	32.02	100.4	31.27
	-5.0	-5.6	106.6	34.54	106.6	33.77	105.8	32.83	105.8	32.01	105.8	31.07	104.0	30.37
	-3.0	-3.7	110.7	33.34	110.7	32.58	110.0	31.71	110.0	30.94	110.0	30.13	106.9	29.46
	0.0	-0.7	116.8	31.56	116.8	30.81	116.1	30.03	116.1	29.35	114.9	28.71	106.9	28.10
	3.0	2.2	123.1	29.78	123.1	29.03	121.4	28.37	118.7	27.75	115.0	27.29	106.9	26.75
	5.0	4.1	126.6	28.59	126.1	27.84	122.9	27.25	118.7	26.70	115.0	26.33	106.9	25.84
	7.0	6	129.0	27.39	127.9	26.65	122.9	26.13	118.7	25.63	115.0	25.39	106.9	24.94
9.0	7.9	129.3	26.49	127.9	25.77	122.9	25.26	118.7	24.78	115.0	24.55	106.9	24.11	
11.0	9.8	129.3	25.81	127.9	25.11	122.9	24.61	118.7	24.14	115.0	23.91	106.9	23.49	
13.0	11.8	129.3	25.08	127.9	24.41	122.9	23.92	118.7	23.47	115.0	23.24	106.9	22.82	
15.0	13.7	129.3	24.31	127.9	23.64	122.9	23.18	118.7	22.74	115.0	22.53	106.9	22.12	
110	-24.8	-25	62.6	33.73	62.6	34.11	62.2	34.48	62.2	35.05	62.2	35.46	61.4	35.66
	-21.8	-22	75.5	34.31	75.5	34.69	75.0	35.05	75.0	35.64	75.0	36.04	74.0	36.23
	-19.8	-20	79.2	34.69	79.2	35.08	78.8	35.44	78.8	36.02	78.8	36.43	77.6	36.62
	-18.8	-19	81.0	34.88	81.0	35.27	80.5	35.64	80.5	36.22	80.5	36.62	79.4	36.13
	-16.7	-17	84.8	35.29	84.8	35.67	84.2	36.04	84.2	36.62	84.2	35.60	83.0	35.08
	-13.7	-15	90.1	35.87	90.1	36.26	89.4	36.62	89.4	35.07	89.4	34.13	89.4	33.58
	-11.8	-13	93.0	36.23	93.0	36.62	92.4	35.52	92.4	34.09	92.4	33.21	92.4	32.65
	-9.8	-11	96.1	36.62	96.1	35.37	95.5	34.37	95.5	33.05	95.5	32.23	95.1	31.66
	-9.5	-10	96.7	36.41	96.7	35.19	96.2	34.19	96.2	32.89	96.2	32.09	95.9	31.50
	-8.5	-9.1	98.8	35.75	98.8	34.57	98.1	33.62	98.1	32.38	98.1	31.60	96.2	31.01
	-7.0	-7.6	101.9	34.74	101.9	33.63	101.3	32.75	101.3	31.60	101.3	30.87	96.2	30.26
	-5.0	-5.6	106.0	33.39	106.0	32.40	105.3	31.60	105.3	30.57	103.0	29.90	96.2	29.27
	-3.0	-3.7	110.0	32.05	110.0	31.16	109.2	30.43	106.6	29.53	103.0	28.92	96.2	28.27
	0.0	-0.7	116.2	30.03	115.8	29.29	110.2	28.70	106.6	27.98	103.0	27.46	96.2	26.78
	3.0	2.2	121.9	28.01	117.4	27.42	110.2	26.97	106.6	26.43	103.0	25.99	96.2	25.29
	5.0	4.1	124.3	26.67	117.4	26.18	110.2	25.82	106.6	25.39	103.0	25.02	96.2	24.30
	7.0	6	124.3	25.32	117.4	24.94	110.2	24.66	106.6	24.36	103.0	24.05	96.2	23.30
9.0	7.9	124.3	24.38	117.4	24.01	110.2	23.74	106.6	23.45	103.0	23.15	96.2	22.44	
11.0	9.8	124.3	23.64	117.4	23.28	110.2	23.02	106.6	22.74	103.0	22.45	96.2	21.75	
13.0	11.8	124.3	22.85	117.4	22.51	110.2	22.25	106.6	21.99	103.0	21.70	96.2	21.03	
15.0	13.7	124.3	22.02	117.4	21.68	110.2	21.44	106.6	21.18	103.0	20.91	96.2	20.26	

Outdoor Units

Notes:

1. TC: Total Capacity(kW) PI : Power Input(kW)(Comp. + Outdoor fan motor)
2. Capacity tables show the average value of conditions which may occur.
3. ■■■ is shown as reference. When selecting the outdoor units, avoid the outdoor air temperature range shown by ■■■ .

7. Capacity Tables

Heating Capacity(32HP)

Outdoor Units

Combination (%)	Outdoor air temp		Indoor air temp. °C DB											
			16		18		20		21		22		24	
	°C DB	°C WB	TC	PI	TC	PI	TC	PI	TC	PI	TC	PI	TC	PI
100	-24.8	-25	62.3	37.30	62.3	37.21	62.0	34.87	62.0	36.98	62.0	36.89	61.1	36.85
	-21.8	-22	75.1	37.16	75.1	37.07	74.7	35.97	74.7	36.85	74.7	37.25	73.6	36.71
	-19.8	-20	78.9	37.07	78.9	36.99	78.4	36.66	78.4	36.76	78.4	36.84	77.3	36.62
	-18.8	-19	80.7	37.02	80.2	36.94	80.2	36.85	80.2	36.72	80.2	36.62	79.1	36.02
	-16.7	-17	83.9	36.94	83.9	36.84	83.9	37.25	83.4	36.62	83.4	35.38	82.2	34.76
	-13.7	-15	89.6	36.80	89.6	36.70	89.1	36.62	89.1	34.81	89.1	33.60	87.9	32.96
	-11.8	-13	92.5	36.71	92.0	36.62	92.0	35.40	92.0	33.66	92.0	32.47	87.9	31.82
	-9.8	-11	95.6	36.62	95.6	35.25	95.2	34.12	95.2	32.46	94.4	31.29	87.9	30.62
	-9.5	-10	96.2	36.40	96.2	35.05	95.7	33.92	95.7	32.28	94.4	31.12	87.9	30.44
	-8.5	-9.1	98.3	35.68	98.3	34.36	97.8	33.28	97.6	31.67	94.4	30.53	87.9	29.84
	-7.0	-7.6	103.0	34.60	102.6	33.33	100.8	32.32	97.6	30.77	94.4	29.63	87.9	28.94
	-5.0	-5.6	107.5	33.16	106.4	31.96	100.8	31.03	97.6	29.56	94.4	28.45	87.9	27.74
	-3.0	-3.7	110.6	31.72	107.2	30.59	100.8	29.75	97.6	28.35	94.4	27.27	87.9	26.54
	0.0	-0.7	113.7	29.55	107.2	28.54	100.8	27.82	97.6	26.54	94.4	25.49	87.9	24.74
	3.0	2.2	113.7	27.40	107.2	26.48	100.8	25.90	97.6	24.74	94.4	23.72	87.9	22.94
	5.0	4.1	113.7	25.95	107.2	25.11	100.8	24.62	97.6	23.53	94.4	22.54	87.9	21.74
	7.0	6	113.7	24.51	107.2	23.74	100.8	23.33	97.6	22.32	94.4	21.36	87.9	20.54
	9.0	7.9	113.7	23.45	107.2	22.70	100.8	22.31	97.6	21.34	94.4	20.42	87.9	19.64
11.0	9.8	113.7	22.56	107.2	21.86	100.8	21.47	97.6	20.54	94.4	19.66	87.9	18.91	
13.0	11.8	113.7	21.63	107.2	20.96	100.8	20.59	97.6	19.70	94.4	18.85	87.9	18.13	
15.0	13.7	113.7	20.65	107.2	20.00	100.8	19.65	97.6	18.80	94.4	17.99	87.9	17.30	
90	-24.8	-25	62.1	33.18	62.1	33.76	61.7	34.17	61.7	34.35	61.7	34.74	60.9	35.32
	-21.8	-22	74.8	33.76	74.8	34.34	74.4	34.74	74.4	34.94	74.4	35.32	73.3	33.75
	-19.8	-20	78.6	34.14	78.6	34.72	78.1	35.13	78.1	35.32	78.1	34.25	77.1	32.70
	-18.8	-19	80.7	34.34	80.2	34.91	79.9	35.32	79.9	34.77	79.9	33.70	78.8	32.19
	-16.7	-17	83.9	34.74	83.9	35.32	83.5	34.17	83.5	33.59	83.5	32.57	80.3	31.08
	-13.7	-15	89.6	35.32	89.6	33.60	88.8	32.52	88.8	31.93	86.5	30.96	80.3	29.51
	-11.8	-13	92.5	34.14	92.0	32.51	91.7	31.47	89.4	30.87	86.5	29.93	80.3	28.51
	-9.8	-11	95.6	32.88	95.6	31.36	92.2	30.37	89.4	29.76	86.5	28.86	80.3	27.47
	-9.5	-10	96.2	32.70	96.2	31.19	92.2	30.21	89.4	29.59	86.5	28.69	80.3	27.31
	-8.5	-9.1	98.3	32.07	97.5	30.61	92.2	29.66	89.4	29.03	86.5	28.16	80.3	26.78
	-7.0	-7.6	103.0	31.14	97.9	29.75	92.2	28.83	89.4	28.20	86.5	27.35	80.3	26.00
	-5.0	-5.6	104.1	29.89	97.9	28.60	92.2	27.73	89.4	27.09	86.5	26.26	80.3	24.95
	-3.0	-3.7	104.1	28.65	97.9	27.45	92.2	26.63	89.4	25.97	86.5	25.19	80.3	23.91
	0.0	-0.7	104.1	26.77	97.9	25.74	92.2	24.98	89.4	24.31	86.5	23.57	80.3	22.33
	3.0	2.2	104.1	24.90	97.9	24.01	92.2	23.33	89.4	22.63	86.5	21.96	80.3	20.77
	5.0	4.1	104.1	23.65	97.9	22.86	92.2	22.22	89.4	21.52	86.5	20.87	80.3	19.72
	7.0	6	104.1	22.40	97.9	21.71	92.2	21.13	89.4	20.40	86.5	19.80	80.3	18.67
	9.0	7.9	104.1	21.24	97.9	20.58	92.2	20.03	89.4	19.34	86.5	18.77	80.3	17.70
11.0	9.8	104.1	20.07	97.9	19.45	92.2	18.92	89.4	18.28	86.5	17.74	80.3	16.73	
13.0	11.8	104.1	18.91	97.9	18.32	92.2	17.83	89.4	17.22	86.5	16.71	80.3	15.75	
15.0	13.7	104.1	17.73	97.9	17.19	92.2	16.73	89.4	16.16	86.5	15.67	80.3	14.78	
80	-24.8	-25	61.8	29.18	61.8	29.75	61.5	30.16	61.5	30.36	61.5	31.33	60.6	29.94
	-21.8	-22	74.0	29.75	74.0	30.33	74.0	30.74	74.0	31.33	74.0	29.94	71.8	28.61
	-19.8	-20	77.8	30.15	77.8	30.72	77.8	31.33	77.8	30.35	76.9	29.02	71.8	27.73
	-18.8	-19	79.6	30.33	79.6	31.33	79.6	30.83	79.4	29.85	77.1	28.56	71.8	27.29
	-16.7	-17	82.5	31.33	82.5	30.27	82.5	29.78	80.0	28.82	77.1	27.58	71.8	26.36
	-13.7	-15	82.5	29.78	82.5	28.79	82.5	28.29	80.0	27.36	77.1	26.21	71.8	25.04
	-11.8	-13	84.7	28.79	82.6	27.85	82.5	27.34	80.0	26.43	77.1	25.33	71.8	24.20
	-9.8	-11	88.3	27.76	85.8	26.86	82.5	26.34	80.0	25.45	77.1	24.41	71.8	23.33
	-9.5	-10	88.8	27.60	86.3	26.71	82.5	26.20	80.0	25.30	77.1	24.27	71.8	23.19
	-8.5	-9.1	90.6	27.08	87.9	26.21	82.5	25.70	80.0	24.82	77.1	23.81	71.8	22.75
	-7.0	-7.6	93.3	26.31	87.9	25.47	82.5	24.95	80.0	24.08	77.1	23.11	71.8	22.09
	-5.0	-5.6	93.3	25.28	87.9	24.48	82.5	23.95	80.0	23.10	77.1	22.20	71.8	21.20
	-3.0	-3.7	93.3	24.24	87.9	23.49	82.5	22.95	80.0	22.12	77.1	21.28	71.8	20.33
	0.0	-0.7	93.3	22.70	87.9	22.00	82.5	21.47	80.0	20.66	77.1	19.89	71.8	19.00
	3.0	2.2	93.3	21.15	87.9	20.51	82.5	19.97	80.0	19.18	77.1	18.51	71.8	17.67
	5.0	4.1	93.3	20.11	87.9	19.52	82.5	18.98	80.0	18.21	77.1	17.58	71.8	16.80
	7.0	6	93.3	19.08	87.9	18.53	82.5	17.98	80.0	17.24	77.1	16.67	71.8	15.91
	9.0	7.9	93.3	17.91	87.9	17.40	82.5	16.88	80.0	16.18	77.1	15.65	71.8	14.94
11.0	9.8	93.3	16.63	87.9	16.15	82.5	15.66	80.0	15.02	77.1	14.53	71.8	13.87	
13.0	11.8	93.3	15.52	87.9	15.07	82.5	14.63	80.0	14.01	77.1	13.56	71.8	12.94	
15.0	13.7	93.3	14.61	87.9	14.18	82.5	13.77	80.0	13.19	77.1	12.76	71.8	12.18	

Notes:

1. TC: Total Capacity(kW) PI : Power Input(kW)(Comp. + Outdoor fan motor)
2. Capacity tables show the average value of conditions which may occur.
3. ■■■ is shown as reference. When selecting the outdoor units, avoid the outdoor air temperature range shown by ■■■ .

7. Capacity Tables

Heating Capacity(32HP)

Combination (%)	Outdoor air temp		Indoor air temp. °C DB											
			16		18		20		21		22		24	
	°C DB	°C WB	TC	PI	TC	PI	TC	PI	TC	PI	TC	PI	TC	PI
70	-24.8	-25	61.8	29.27	61.8	29.47	61.5	29.85	61.5	30.43	61.5	28.95	60.5	27.56
	-21.8	-22	70.7	29.85	70.7	30.05	70.2	30.43	67.8	28.95	65.8	27.56	61.4	26.23
	-19.8	-20	76.6	30.24	74.7	30.43	70.2	29.39	67.8	27.96	65.8	26.64	61.4	25.34
	-18.8	-19	78.8	30.43	74.7	29.89	70.2	28.87	67.8	27.46	65.8	26.17	61.4	24.89
	-16.7	-17	79.0	29.30	74.7	28.76	70.2	27.77	67.8	26.43	65.8	25.21	61.4	23.96
	-13.7	-15	79.0	27.70	74.7	27.14	70.2	26.20	67.8	24.94	65.8	23.82	61.4	22.62
	-11.8	-13	79.0	26.68	74.7	26.11	70.2	25.21	67.8	24.00	65.8	22.95	61.4	21.78
	-9.8	-11	79.0	25.61	74.7	25.03	70.2	24.18	67.8	23.02	65.8	22.03	61.4	20.89
	-9.5	-10	79.0	25.45	74.7	24.86	70.2	24.01	67.8	22.87	65.8	21.89	61.4	20.76
	-8.5	-9.1	79.0	24.92	74.7	24.32	70.2	23.49	67.8	22.37	65.8	21.42	61.4	20.31
	-7.0	-7.6	79.0	24.11	74.7	23.52	70.2	22.71	67.8	21.63	65.8	20.74	61.4	19.64
	-5.0	-5.6	79.0	23.04	74.7	22.44	70.2	21.67	67.8	20.65	65.8	19.81	61.4	18.76
	-3.0	-3.7	79.0	21.97	74.7	21.35	70.2	20.62	67.8	19.66	65.8	18.89	61.4	17.87
	0.0	-0.7	79.0	20.36	74.7	19.73	70.2	19.07	67.8	18.18	65.8	17.50	61.4	16.53
	3.0	2.2	79.0	18.76	74.7	18.11	70.2	17.50	67.8	16.69	65.8	16.12	61.4	15.20
	5.0	4.1	79.0	17.69	74.7	17.03	70.2	16.46	67.8	15.71	65.8	15.20	61.4	14.31
	7.0	6	79.0	16.61	74.7	15.95	70.2	15.41	67.8	14.72	65.8	14.28	61.4	13.41
9.0	7.9	79.0	15.00	74.7	14.40	70.2	13.92	67.8	13.29	65.8	12.89	61.4	12.12	
11.0	9.8	79.0	13.97	74.7	13.41	70.2	12.96	67.8	12.37	65.8	12.00	61.4	11.29	
13.0	11.8	79.0	13.07	74.7	12.55	70.2	12.12	67.8	11.57	65.8	11.22	61.4	10.55	
15.0	13.7	79.0	12.32	74.7	11.82	70.2	11.43	67.8	10.91	65.8	10.58	61.4	9.95	
60	-24.8	-25	60.6	28.82	60.6	29.21	60.2	29.78	58.2	28.22	56.2	26.75	52.6	25.37
	-21.8	-22	64.9	29.40	64.2	29.78	60.2	28.22	58.2	26.75	56.2	25.37	52.6	24.04
	-19.8	-20	67.8	29.78	64.2	28.68	60.2	27.17	58.2	25.77	56.2	24.45	52.6	23.15
	-18.8	-19	67.8	29.22	64.2	28.12	60.2	26.65	58.2	25.27	56.2	23.99	52.6	22.71
	-16.7	-17	67.8	28.05	64.2	26.95	60.2	25.55	58.2	24.25	56.2	23.02	52.6	21.78
	-13.7	-15	67.8	26.36	64.2	25.29	60.2	23.99	58.2	22.78	56.2	21.64	52.6	20.45
	-11.8	-13	67.8	25.30	64.2	24.24	60.2	22.99	58.2	21.85	56.2	20.77	52.6	19.61
	-9.8	-11	67.8	24.17	64.2	23.13	60.2	21.94	58.2	20.87	56.2	19.86	52.6	18.73
	-9.5	-10	67.8	24.00	64.2	22.96	60.2	21.79	58.2	20.72	56.2	19.71	52.6	18.60
	-8.5	-9.1	67.8	23.44	64.2	22.40	60.2	21.26	58.2	20.24	56.2	19.26	52.6	18.14
	-7.0	-7.6	67.8	22.60	64.2	21.58	60.2	20.48	58.2	19.50	56.2	18.57	52.6	17.49
	-5.0	-5.6	67.8	21.47	64.2	20.46	60.2	19.43	58.2	18.52	56.2	17.65	52.6	16.59
	-3.0	-3.7	67.8	20.35	64.2	19.36	60.2	18.39	58.2	17.54	56.2	16.73	52.6	15.71
	0.0	-0.7	67.8	18.67	64.2	17.69	60.2	16.82	58.2	16.08	56.2	15.35	52.6	14.39
	3.0	2.2	67.8	16.98	64.2	16.02	60.2	15.25	58.2	14.61	56.2	13.97	52.6	13.05
	5.0	4.1	67.8	15.86	64.2	14.91	60.2	14.21	58.2	13.63	56.2	13.05	52.6	12.17
	7.0	6	67.8	14.74	64.2	13.81	60.2	13.16	58.2	12.64	56.2	12.14	52.6	11.29
9.0	7.9	67.8	13.15	64.2	12.31	60.2	11.74	58.2	11.29	56.2	10.83	52.6	10.07	
11.0	9.8	67.8	12.28	64.2	11.51	60.2	10.97	58.2	10.53	56.2	10.11	52.6	9.40	
13.0	11.8	67.8	11.51	64.2	10.77	60.2	10.27	58.2	9.87	56.2	9.47	52.6	8.80	
15.0	13.7	67.8	10.88	64.2	10.18	60.2	9.71	58.2	9.33	56.2	8.95	52.6	8.33	
50	-24.8	-25	56.6	25.43	53.4	26.00	50.2	24.60	48.6	23.29	46.9	22.06	43.7	20.90
	-21.8	-22	56.6	26.00	53.4	24.60	50.2	23.29	48.6	22.06	46.9	20.90	43.7	19.80
	-19.8	-20	56.6	25.02	53.4	23.67	50.2	22.41	48.6	21.22	46.9	20.14	43.7	19.07
	-18.8	-19	56.6	24.53	53.4	23.20	50.2	21.98	48.6	20.82	46.9	19.75	43.7	18.70
	-16.7	-17	56.6	23.51	53.4	22.22	50.2	21.06	48.6	19.95	46.9	18.95	43.7	17.92
	-13.7	-15	56.6	22.03	53.4	20.81	50.2	19.75	48.6	18.72	46.9	17.80	43.7	16.82
	-11.8	-13	56.6	21.10	53.4	19.93	50.2	18.93	48.6	17.93	46.9	17.07	43.7	16.12
	-9.8	-11	56.6	20.12	53.4	18.99	50.2	18.05	48.6	17.11	46.9	16.30	43.7	15.38
	-9.5	-10	56.6	19.97	53.4	18.85	50.2	17.92	48.6	16.98	46.9	16.20	43.7	15.28
	-8.5	-9.1	56.6	19.48	53.4	18.38	50.2	17.48	48.6	16.57	46.9	15.81	43.7	14.91
	-7.0	-7.6	56.6	18.75	53.4	17.68	50.2	16.83	48.6	15.95	46.9	15.23	43.7	14.36
	-5.0	-5.6	56.6	17.77	53.4	16.74	50.2	15.95	48.6	15.13	46.9	14.47	43.7	13.62
	-3.0	-3.7	56.6	16.79	53.4	15.81	50.2	15.09	48.6	14.31	46.9	13.70	43.7	12.88
	0.0	-0.7	56.6	15.32	53.4	14.40	50.2	13.78	48.6	13.07	46.9	12.55	43.7	11.78
	3.0	2.2	56.6	13.85	53.4	13.00	50.2	12.47	48.6	11.83	46.9	11.41	43.7	10.68
	5.0	4.1	56.6	12.87	53.4	12.07	50.2	11.59	48.6	11.01	46.9	10.64	43.7	9.94
	7.0	6	56.6	11.89	53.4	11.13	50.2	10.72	48.6	10.19	46.9	9.87	43.7	9.21
9.0	7.9	56.6	10.74	53.4	10.06	50.2	9.68	48.6	9.20	46.9	8.91	43.7	8.31	
11.0	9.8	56.6	10.04	53.4	9.40	50.2	9.05	48.6	8.61	46.9	8.34	43.7	7.78	
13.0	11.8	56.6	9.43	53.4	8.83	50.2	8.50	48.6	8.08	46.9	7.83	43.7	7.30	
15.0	13.7	56.6	8.93	53.4	8.36	50.2	8.05	48.6	7.65	46.9	7.41	43.7	6.91	

Notes:

1. TC: Total Capacity(kW) PI : Power Input(kW)(Comp. + Outdoor fan motor)
2. Capacity tables show the average value of conditions which may occur.
3. ■■■ is shown as reference. When selecting the outdoor units, avoid the outdoor air temperature range shown by ■■■ .

7. Capacity Tables

ARUB340LTE4

Heating Capacity(34HP)

Outdoor Units

Combination (%)	Outdoor air temp		Indoor air temp. °C DB											
			16		18		20		21		22		24	
	°C DB	°C WB	TC	PI	TC	PI	TC	PI	TC	PI	TC	PI	TC	PI
130	-24.8	-25	66.8	33.8	66.8	33.99	66.4	34.16	66.4	34.42	66.4	34.67	65.1	35.06
	-21.8	-22	81.3	34.19	81.3	34.39	80.7	34.56	80.7	34.82	80.7	35.06	79.2	35.46
	-19.8	-20	85.8	34.45	85.8	34.65	85.2	34.82	85.2	35.08	85.2	35.32	83.6	35.72
	-18.8	-19	87.6	34.57	87.6	34.77	87.1	34.94	87.1	35.20	87.1	35.46	85.4	35.85
	-16.7	-17	91.7	34.85	91.7	35.05	91.1	35.22	91.1	35.48	91.1	35.74	89.4	36.12
	-13.7	-15	97.4	35.25	97.4	35.45	96.9	35.62	96.9	35.88	96.9	36.12	95.0	34.81
	-11.8	-13	100.6	35.49	100.6	35.69	100.0	35.86	100.0	36.12	100.0	36.24	98.5	33.96
	-9.8	-11	103.9	35.76	103.9	35.95	103.3	36.12	103.3	35.19	103.3	34.30	102.2	33.09
	-9.5	-10	104.6	35.80	104.6	36.00	103.9	35.99	103.9	35.04	103.9	34.17	102.8	32.96
	-8.5	-9.1	106.6	35.93	106.6	36.12	105.9	35.51	105.9	34.58	105.4	33.70	104.7	32.52
	-7.0	-7.6	109.6	36.12	109.6	35.43	108.9	34.79	108.9	33.87	108.9	33.01	107.5	31.85
	-5.0	-5.6	113.6	35.24	113.6	34.51	112.9	33.84	112.9	32.93	112.9	32.08	111.2	30.97
	-3.0	-3.7	117.6	34.36	117.6	33.58	116.9	32.89	116.9	31.99	116.9	31.14	114.9	30.10
	0.0	-0.7	123.6	33.02	123.6	32.19	122.9	31.45	122.9	30.58	122.9	29.75	120.2	28.77
	3.0	2.2	129.7	31.69	129.7	30.80	128.8	30.02	128.8	29.17	128.8	28.35	120.9	27.45
	5.0	4.1	133.7	30.81	133.7	29.88	132.9	29.07	132.9	28.24	129.9	27.41	120.9	26.57
	7.0	6	137.7	29.92	137.7	28.96	136.8	28.12	134.6	27.29	129.9	26.48	120.9	25.69
	9.0	7.9	138.4	29.19	138.4	28.25	138.0	27.44	134.6	26.63	129.9	25.84	120.9	25.07
11.0	9.8	138.4	28.73	138.4	27.80	138.0	26.99	134.6	26.21	129.9	25.43	120.9	24.66	
13.0	11.8	138.4	28.22	138.4	27.31	138.0	26.51	134.6	25.75	129.9	24.98	120.9	24.23	
15.0	13.7	138.4	27.68	138.4	26.78	138.0	26.00	134.6	25.25	129.9	24.49	120.9	23.76	
120	-24.8	-25	66.3	33.99	66.3	34.16	65.9	34.42	65.9	34.67	65.9	35.06	64.6	35.34
	-21.8	-22	80.7	34.39	80.7	34.56	80.2	34.82	80.2	35.06	80.2	35.46	78.7	35.74
	-19.8	-20	85.1	34.65	85.1	34.82	84.6	35.08	84.6	35.32	84.6	35.72	82.9	36.00
	-18.8	-19	87.1	34.77	87.1	34.94	86.5	35.20	86.5	35.46	86.5	35.85	84.8	36.12
	-16.7	-17	91.1	35.05	91.1	35.22	90.5	35.48	90.5	35.74	90.5	36.12	88.7	35.27
	-13.7	-15	96.7	35.45	96.7	35.62	96.2	35.88	96.2	36.12	96.2	36.46	94.3	34.06
	-11.8	-13	99.9	35.69	99.9	35.86	99.3	36.12	99.3	35.23	99.3	34.06	97.8	33.29
	-9.8	-11	103.2	35.95	103.2	36.12	102.5	35.15	102.5	34.29	102.5	33.22	101.5	32.49
	-9.5	-10	103.9	36.00	103.9	35.97	103.2	35.00	103.2	34.15	103.2	33.09	102.1	32.36
	-8.5	-9.1	105.8	36.12	105.8	35.45	105.2	34.51	105.2	33.68	105.2	32.67	104.0	31.95
	-7.0	-7.6	108.8	35.36	108.8	34.68	108.1	33.78	108.1	32.98	108.1	32.04	106.7	31.35
	-5.0	-5.6	112.8	34.34	112.8	33.65	112.0	32.79	112.0	32.04	112.0	31.20	110.5	30.54
	-3.0	-3.7	116.8	33.32	116.8	32.61	116.1	31.81	116.1	31.10	116.1	30.36	113.6	29.73
	0.0	-0.7	122.7	31.79	122.7	31.07	122.0	30.34	122.0	29.69	122.0	29.10	113.6	28.51
	3.0	2.2	128.8	30.26	128.8	29.52	127.9	28.88	126.2	28.28	122.2	27.84	113.6	27.30
	5.0	4.1	132.7	29.24	132.7	28.48	130.5	27.90	126.2	27.34	122.2	26.99	113.6	26.49
	7.0	6	136.8	28.22	135.8	27.45	130.5	26.92	126.2	26.40	122.2	26.15	113.6	25.68
	9.0	7.9	137.3	27.46	135.8	26.71	130.5	26.19	126.2	25.69	122.2	25.45	113.6	24.99
11.0	9.8	137.3	26.95	135.8	26.22	130.5	25.70	126.2	25.21	122.2	24.97	113.6	24.53	
13.0	11.8	137.3	26.40	135.8	25.68	130.5	25.17	126.2	24.69	122.2	24.46	113.6	24.02	
15.0	13.7	137.3	25.80	135.8	25.09	130.5	24.60	126.2	24.13	122.2	23.91	113.6	23.47	
110	-24.8	-25	66.0	34.16	66.0	34.42	65.5	34.67	65.5	35.06	65.5	35.34	64.3	35.47
	-21.8	-22	80.2	34.56	80.2	34.82	79.7	35.06	79.7	35.46	79.7	35.74	78.2	35.86
	-19.8	-20	84.7	34.82	84.7	35.08	84.1	35.32	84.1	35.72	84.1	36.00	82.5	36.12
	-18.8	-19	86.6	34.94	86.6	35.20	86.0	35.46	86.0	35.85	86.0	36.12	84.4	35.68
	-16.7	-17	90.6	35.22	90.6	35.48	90.0	35.74	90.0	36.12	90.0	36.24	88.2	34.73
	-13.7	-15	96.2	35.62	96.2	35.88	95.6	36.12	95.6	36.43	95.6	36.88	95.6	33.36
	-11.8	-13	99.3	35.86	99.3	36.12	98.8	36.43	98.8	36.85	98.8	37.35	98.8	32.51
	-9.8	-11	102.7	36.12	102.7	35.01	102.0	34.11	102.0	32.91	102.0	32.16	101.6	31.61
	-9.5	-10	103.2	35.94	103.2	34.85	102.7	33.95	102.7	32.77	102.7	32.03	102.2	31.46
	-8.5	-9.1	105.2	35.35	105.2	34.29	104.6	33.43	104.6	32.31	104.6	31.59	102.2	31.02
	-7.0	-7.6	108.3	34.45	108.3	33.46	107.6	32.65	107.6	31.61	107.6	30.94	102.2	30.34
	-5.0	-5.6	112.2	33.26	112.2	32.35	111.5	31.62	111.5	30.68	109.5	30.05	102.2	29.44
	-3.0	-3.7	116.1	32.06	116.1	31.24	115.4	30.58	113.2	29.74	109.5	29.17	102.2	28.52
	0.0	-0.7	122.1	30.26	122.1	29.58	117.1	29.02	113.2	28.35	109.5	27.85	102.2	27.17
	3.0	2.2	128.0	28.48	124.8	27.91	117.1	27.47	113.2	26.95	109.5	26.53	102.2	25.81
	5.0	4.1	132.0	27.28	124.8	26.80	117.1	26.44	113.2	26.02	109.5	25.65	102.2	24.91
	7.0	6	132.1	26.08	124.8	25.69	117.1	25.39	113.2	25.09	109.5	24.77	102.2	24.00
	9.0	7.9	132.1	25.27	124.8	24.88	117.1	24.61	113.2	24.31	109.5	23.99	102.2	23.26
11.0	9.8	132.1	24.67	124.8	24.30	117.1	24.03	113.2	23.74	109.5	23.43	102.2	22.70	
13.0	11.8	132.1	24.03	124.8	23.68	117.1	23.40	113.2	23.12	109.5	22.82	102.2	22.12	
15.0	13.7	132.1	23.36	124.8	23.00	117.1	22.74	113.2	22.47	109.5	22.18	102.2	21.50	

Notes:

1. TC: Total Capacity(kW) PI : Power Input(kW)(Comp. + Outdoor fan motor)
2. Capacity tables show the average value of conditions which may occur.
3. ■■■ is shown as reference. When selecting the outdoor units, avoid the outdoor air temperature range shown by ■■■ .

7. Capacity Tables

Heating Capacity(34HP)

Combination (%)	Outdoor air temp		Indoor air temp. °C DB											
			16		18		20		21		22		24	
	°C DB	°C WB	TC	PI	TC	PI	TC	PI	TC	PI	TC	PI	TC	PI
100	-24.8	-25	65.7	37.46	65.7	37.28	65.3	34.68	65.3	36.84	65.3	36.66	64.0	36.57
	-21.8	-22	79.9	37.19	79.9	37.01	79.4	35.77	79.4	36.58	79.4	36.85	77.9	36.30
	-19.8	-20	84.3	37.01	84.3	36.84	83.8	36.45	83.8	36.40	83.8	36.37	82.1	36.12
	-18.8	-19	86.2	36.92	85.7	36.75	85.7	36.58	85.7	36.31	85.7	36.12	84.0	35.57
	-16.7	-17	89.6	36.74	89.6	36.56	89.6	36.85	89.1	36.12	89.1	34.98	87.4	34.39
	-13.7	-15	95.7	36.47	95.7	36.29	95.2	36.12	95.2	34.47	95.2	33.33	93.4	32.71
	-11.8	-13	98.8	36.30	98.3	36.12	98.3	35.01	98.3	33.41	98.3	32.29	93.4	31.65
	-9.8	-11	102.2	36.12	102.2	34.88	101.6	33.85	101.6	32.30	100.3	31.19	93.4	30.54
	-9.5	-10	102.7	35.93	102.7	34.70	102.2	33.67	102.2	32.14	100.3	31.03	93.4	30.37
	-8.5	-9.1	104.7	35.28	104.7	34.08	104.2	33.08	103.7	31.58	100.3	30.49	93.4	29.81
	-7.0	-7.6	109.5	34.31	109.0	33.15	107.1	32.21	103.7	30.75	100.3	29.66	93.4	28.97
	-5.0	-5.6	114.2	33.01	113.1	31.90	107.1	31.04	103.7	29.64	100.3	28.57	93.4	27.86
	-3.0	-3.7	117.5	31.72	113.9	30.66	107.1	29.88	103.7	28.53	100.3	27.47	93.4	26.74
	0.0	-0.7	120.8	29.78	113.9	28.80	107.1	28.12	103.7	26.86	100.3	25.82	93.4	25.06
	3.0	2.2	120.8	27.84	113.9	26.94	107.1	26.37	103.7	25.21	100.3	24.19	93.4	23.39
	5.0	4.1	120.8	26.54	113.9	25.69	107.1	25.20	103.7	24.10	100.3	23.09	93.4	22.27
	7.0	6	120.8	25.25	113.9	24.45	107.1	24.03	103.7	22.99	100.3	22.00	93.4	21.16
	9.0	7.9	120.8	24.33	113.9	23.56	107.1	23.15	103.7	22.15	100.3	21.20	93.4	20.39
11.0	9.8	120.8	23.62	113.9	22.88	107.1	22.47	103.7	21.50	100.3	20.58	93.4	19.79	
13.0	11.8	120.8	22.85	113.9	22.14	107.1	21.76	103.7	20.82	100.3	19.91	93.4	19.16	
15.0	13.7	120.8	22.05	113.9	21.36	107.1	20.99	103.7	20.07	100.3	19.22	93.4	18.48	
90	-24.8	-25	65.5	33.48	65.5	33.88	65.0	34.16	65.0	34.28	65.0	34.54	63.8	34.94
	-21.8	-22	79.6	33.88	79.6	34.28	79.1	34.54	79.1	34.68	79.1	34.94	77.5	33.46
	-19.8	-20	84.0	34.14	84.0	34.54	83.5	34.82	83.5	34.94	83.5	33.94	81.9	32.47
	-18.8	-19	86.2	34.28	85.7	34.66	85.4	34.94	85.4	34.42	85.4	33.42	83.7	31.98
	-16.7	-17	89.6	34.54	89.6	34.94	89.2	33.87	89.2	33.33	89.2	32.36	85.3	30.94
	-13.7	-15	95.7	34.94	95.7	33.35	94.9	32.34	94.9	31.78	91.9	30.85	85.3	29.45
	-11.8	-13	98.8	33.86	98.3	32.34	97.9	31.36	95.0	30.79	91.9	29.89	85.3	28.52
	-9.8	-11	102.2	32.70	102.2	31.28	98.0	30.34	95.0	29.75	91.9	28.89	85.3	27.53
	-9.5	-10	102.7	32.54	102.7	31.12	98.0	30.19	95.0	29.60	91.9	28.73	85.3	27.38
	-8.5	-9.1	104.7	31.96	103.9	30.59	98.0	29.68	95.0	29.07	91.9	28.23	85.3	26.89
	-7.0	-7.6	109.5	31.10	104.1	29.79	98.0	28.91	95.0	28.29	91.9	27.47	85.3	26.14
	-5.0	-5.6	110.7	29.96	104.1	28.73	98.0	27.89	95.0	27.26	91.9	26.45	85.3	25.16
	-3.0	-3.7	110.7	28.81	104.1	27.67	98.0	26.87	95.0	26.21	91.9	25.45	85.3	24.17
	0.0	-0.7	110.7	27.09	104.1	26.08	98.0	25.34	95.0	24.66	91.9	23.93	85.3	22.69
	3.0	2.2	110.7	25.36	104.1	24.49	98.0	23.81	95.0	23.10	91.9	22.42	85.3	21.21
	5.0	4.1	110.7	24.22	104.1	23.42	98.0	22.78	95.0	22.06	91.9	21.40	85.3	20.22
	7.0	6	110.7	23.07	104.1	22.36	98.0	21.76	95.0	21.02	91.9	20.40	85.3	19.23
	9.0	7.9	110.7	21.99	104.1	21.31	98.0	20.74	95.0	20.03	91.9	19.43	85.3	18.33
11.0	9.8	110.7	20.91	104.1	20.26	98.0	19.71	95.0	19.05	91.9	18.48	85.3	17.42	
13.0	11.8	110.7	19.83	104.1	19.21	98.0	18.70	95.0	18.06	91.9	17.53	85.3	16.52	
15.0	13.7	110.7	18.74	104.1	18.16	98.0	17.68	95.0	17.08	91.9	16.56	85.3	15.62	
80	-24.8	-25	65.2	29.53	65.2	29.92	64.8	30.20	64.8	30.33	64.8	30.99	63.5	29.68
	-21.8	-22	78.7	29.92	78.7	30.31	78.7	30.59	78.7	30.99	78.7	29.68	76.3	28.42
	-19.8	-20	83.1	30.19	83.1	30.57	83.1	30.99	83.1	30.07	81.9	28.81	76.3	27.59
	-18.8	-19	85.0	30.31	85.0	30.99	85.0	30.52	84.8	29.60	81.9	28.38	76.3	27.17
	-16.7	-17	87.7	30.99	87.7	30.01	87.7	29.54	85.0	28.64	81.9	27.46	76.3	26.29
	-13.7	-15	87.7	29.55	87.7	28.63	87.7	28.15	85.0	27.26	81.9	26.16	76.3	25.04
	-11.8	-13	89.9	28.64	87.7	27.75	87.7	27.26	85.0	26.39	81.9	25.34	76.3	24.24
	-9.8	-11	93.8	27.68	91.1	26.83	87.7	26.33	85.0	25.47	81.9	24.47	76.3	23.42
	-9.5	-10	94.3	27.54	91.6	26.70	87.7	26.20	85.0	25.33	81.9	24.34	76.3	23.29
	-8.5	-9.1	96.2	27.06	93.3	26.23	87.7	25.73	85.0	24.87	81.9	23.90	76.3	22.87
	-7.0	-7.6	99.1	26.35	93.3	25.54	87.7	25.03	85.0	24.18	81.9	23.24	76.3	22.24
	-5.0	-5.6	99.1	25.39	93.3	24.62	87.7	24.10	85.0	23.26	81.9	22.38	76.3	21.40
	-3.0	-3.7	99.1	24.43	93.3	23.70	87.7	23.17	85.0	22.34	81.9	21.51	76.3	20.57
	0.0	-0.7	99.1	23.00	93.3	22.31	87.7	21.78	85.0	20.97	81.9	20.21	76.3	19.32
	3.0	2.2	99.1	21.57	93.3	20.92	87.7	20.38	85.0	19.58	81.9	18.90	76.3	18.06
	5.0	4.1	99.1	20.61	93.3	20.00	87.7	19.45	85.0	18.67	81.9	18.03	76.3	17.23
	7.0	6	99.1	19.65	93.3	19.08	87.7	18.52	85.0	17.75	81.9	17.17	76.3	16.39
	9.0	7.9	99.1	18.45	93.3	17.92	87.7	17.38	85.0	16.67	81.9	16.12	76.3	15.39
11.0	9.8	99.1	17.12	93.3	16.63	87.7	16.14	85.0	15.47	81.9	14.96	76.3	14.28	
13.0	11.8	99.1	15.99	93.3	15.52	87.7	15.06	85.0	14.43	81.9	13.96	76.3	13.33	
15.0	13.7	99.1	15.05	93.3	14.61	87.7	14.19	85.0	13.59	81.9	13.15	76.3	12.55	

Notes:

1. TC: Total Capacity(kW) PI : Power Input(kW)(Comp. + Outdoor fan motor)
2. Capacity tables show the average value of conditions which may occur.
3. ■■■■ is shown as reference. When selecting the outdoor units, avoid the outdoor air temperature range shown by ■■■■.

7. Capacity Tables

Heating Capacity(34HP)

Outdoor Units

Combination (%)	Outdoor air temp		Indoor air temp. °C DB											
			16		18		20		21		22		24	
	°C DB	°C WB	TC	PI	TC	PI	TC	PI	TC	PI	TC	PI	TC	PI
70	-24.8	-25	65.2	29.47	65.2	29.60	64.8	29.87	64.8	30.26	64.8	28.84	63.5	27.50
	-21.8	-22	75.1	29.87	75.1	30.00	74.6	30.26	72.1	28.84	69.9	27.50	65.3	26.21
	-19.8	-20	81.8	30.13	79.4	30.26	74.6	29.26	72.1	27.89	69.9	26.61	65.3	25.35
	-18.8	-19	84.0	30.26	79.4	29.74	74.6	28.76	72.1	27.41	69.9	26.16	65.3	24.92
	-16.7	-17	84.0	29.18	79.4	28.66	74.6	27.71	72.1	26.42	69.9	25.24	65.3	24.01
	-13.7	-15	84.0	27.66	79.4	27.11	74.6	26.21	72.1	24.98	69.9	23.90	65.3	22.72
	-11.8	-13	84.0	26.69	79.4	26.13	74.6	25.26	72.1	24.08	69.9	23.06	65.3	21.91
	-9.8	-11	84.0	25.68	79.4	25.10	74.6	24.27	72.1	23.14	69.9	22.17	65.3	21.05
	-9.5	-10	84.0	25.52	79.4	24.94	74.6	24.11	72.1	22.99	69.9	22.04	65.3	20.92
	-8.5	-9.1	84.0	25.01	79.4	24.42	74.6	23.61	72.1	22.51	69.9	21.59	65.3	20.49
	-7.0	-7.6	84.0	24.24	79.4	23.66	74.6	22.87	72.1	21.80	69.9	20.92	65.3	19.84
	-5.0	-5.6	84.0	23.23	79.4	22.62	74.6	21.87	72.1	20.86	69.9	20.04	65.3	18.98
	-3.0	-3.7	84.0	22.21	79.4	21.59	74.6	20.87	72.1	19.91	69.9	19.15	65.3	18.13
	0.0	-0.7	84.0	20.68	79.4	20.04	74.6	19.38	72.1	18.49	69.9	17.81	65.3	16.83
	3.0	2.2	84.0	19.15	79.4	18.49	74.6	17.88	72.1	17.05	69.9	16.48	65.3	15.54
	5.0	4.1	84.0	18.14	79.4	17.46	74.6	16.87	72.1	16.11	69.9	15.59	65.3	14.68
	7.0	6	84.0	17.11	79.4	16.43	74.6	15.87	72.1	15.16	69.9	14.70	65.3	13.82
9.0	7.9	84.0	15.45	79.4	14.83	74.6	14.33	72.1	13.69	69.9	13.28	65.3	12.48	
11.0	9.8	84.0	14.38	79.4	13.81	74.6	13.35	72.1	12.74	69.9	12.36	65.3	11.62	
13.0	11.8	84.0	13.46	79.4	12.92	74.6	12.49	72.1	11.92	69.9	11.56	65.3	10.87	
15.0	13.7	84.0	12.69	79.4	12.18	74.6	11.77	72.1	11.24	69.9	10.90	65.3	10.25	
60	-24.8	-25	64.4	29.14	64.4	29.41	63.9	29.80	61.9	28.27	59.7	26.83	55.9	25.48
	-21.8	-22	69.0	29.53	68.2	29.80	63.9	28.27	61.9	26.83	59.7	25.48	55.9	24.17
	-19.8	-20	72.1	29.80	68.2	28.72	63.9	27.24	61.9	25.87	59.7	24.58	55.9	23.30
	-18.8	-19	72.1	29.25	68.2	28.18	63.9	26.73	61.9	25.39	59.7	24.12	55.9	22.86
	-16.7	-17	72.1	28.11	68.2	27.04	63.9	25.66	61.9	24.39	59.7	23.17	55.9	21.95
	-13.7	-15	72.1	26.47	68.2	25.42	63.9	24.13	61.9	22.95	59.7	21.82	55.9	20.63
	-11.8	-13	72.1	25.44	68.2	24.39	63.9	23.16	61.9	22.03	59.7	20.97	55.9	19.81
	-9.8	-11	72.1	24.35	68.2	23.31	63.9	22.13	61.9	21.07	59.7	20.07	55.9	18.94
	-9.5	-10	72.1	24.18	68.2	23.14	63.9	21.99	61.9	20.93	59.7	19.93	55.9	18.81
	-8.5	-9.1	72.1	23.63	68.2	22.60	63.9	21.47	61.9	20.46	59.7	19.48	55.9	18.37
	-7.0	-7.6	72.1	22.81	68.2	21.80	63.9	20.71	61.9	19.74	59.7	18.81	55.9	17.72
	-5.0	-5.6	72.1	21.73	68.2	20.71	63.9	19.68	61.9	18.78	59.7	17.91	55.9	16.85
	-3.0	-3.7	72.1	20.64	68.2	19.63	63.9	18.67	61.9	17.82	59.7	17.01	55.9	15.98
	0.0	-0.7	72.1	19.00	68.2	18.00	63.9	17.13	61.9	16.39	59.7	15.65	55.9	14.67
	3.0	2.2	72.1	17.36	68.2	16.38	63.9	15.59	61.9	14.94	59.7	14.30	55.9	13.36
	5.0	4.1	72.1	16.27	68.2	15.30	63.9	14.58	61.9	13.98	59.7	13.40	55.9	12.49
	7.0	6	72.1	15.18	68.2	14.22	63.9	13.56	61.9	13.02	59.7	12.50	55.9	11.62
9.0	7.9	72.1	13.54	68.2	12.68	63.9	12.10	61.9	11.63	59.7	11.15	55.9	10.37	
11.0	9.8	72.1	12.65	68.2	11.85	63.9	11.30	61.9	10.85	59.7	10.41	55.9	9.68	
13.0	11.8	72.1	11.85	68.2	11.09	63.9	10.57	61.9	10.17	59.7	9.76	55.9	9.07	
15.0	13.7	72.1	11.20	68.2	10.49	63.9	10.00	61.9	9.61	59.7	9.22	55.9	8.58	
50	-24.8	-25	60.2	25.33	56.8	25.72	53.3	24.38	51.6	23.12	49.8	21.93	46.4	20.82
	-21.8	-22	60.2	25.72	56.8	24.38	53.3	23.12	51.6	21.93	49.8	20.82	46.4	19.75
	-19.8	-20	60.2	24.78	56.8	23.48	53.3	22.28	51.6	21.13	49.8	20.08	46.4	19.04
	-18.8	-19	60.2	24.31	56.8	23.03	53.3	21.86	51.6	20.74	49.8	19.71	46.4	18.68
	-16.7	-17	60.2	23.34	56.8	22.09	53.3	20.98	51.6	19.90	49.8	18.93	46.4	17.93
	-13.7	-15	60.2	21.93	56.8	20.74	53.3	19.72	51.6	18.72	49.8	17.83	46.4	16.86
	-11.8	-13	60.2	21.04	56.8	19.90	53.3	18.93	51.6	17.96	49.8	17.12	46.4	16.18
	-9.8	-11	60.2	20.11	56.8	18.99	53.3	18.09	51.6	17.16	49.8	16.38	46.4	15.47
	-9.5	-10	60.2	19.96	56.8	18.86	53.3	17.96	51.6	17.04	49.8	16.27	46.4	15.37
	-8.5	-9.1	60.2	19.50	56.8	18.41	53.3	17.54	51.6	16.65	49.8	15.90	46.4	15.01
	-7.0	-7.6	60.2	18.80	56.8	17.75	53.3	16.91	51.6	16.05	49.8	15.34	46.4	14.48
	-5.0	-5.6	60.2	17.86	56.8	16.84	53.3	16.07	51.6	15.26	49.8	14.61	46.4	13.76
	-3.0	-3.7	60.2	16.93	56.8	15.95	53.3	15.24	51.6	14.47	49.8	13.87	46.4	13.04
	0.0	-0.7	60.2	15.52	56.8	14.60	53.3	13.98	51.6	13.27	49.8	12.75	46.4	11.98
	3.0	2.2	60.2	14.12	56.8	13.26	53.3	12.72	51.6	12.08	49.8	11.65	46.4	10.91
	5.0	4.1	60.2	13.18	56.8	12.37	53.3	11.88	51.6	11.28	49.8	10.91	46.4	10.20
	7.0	6	60.2	12.24	56.8	11.46	53.3	11.04	51.6	10.49	49.8	10.17	46.4	9.49
9.0	7.9	60.2	11.06	56.8	10.36	53.3	9.97	51.6	9.47	49.8	9.18	46.4	8.56	
11.0	9.8	60.2	10.35	56.8	9.68	53.3	9.33	51.6	8.87	49.8	8.59	46.4	8.01	
13.0	11.8	60.2	9.71	56.8	9.10	53.3	8.76	51.6	8.32	49.8	8.06	46.4	7.52	
15.0	13.7	60.2	9.19	56.8	8.61	53.3	8.29	51.6	7.88	49.8	7.64	46.4	7.12	

Notes:

1. TC: Total Capacity(kW) PI : Power Input(kW)(Comp. + Outdoor fan motor)
2. Capacity tables show the average value of conditions which may occur.
3. ■ is shown as reference. When selecting the outdoor units, avoid the outdoor air temperature range shown by ■ .

7. Capacity Tables

ARUB360LTE4

Heating Capacity(36HP)

Combination (%)	Outdoor air temp		Indoor air temp. °C DB											
			16		18		20		21		22		24	
	°C DB	°C WB	TC	PI	TC	PI	TC	PI	TC	PI	TC	PI	TC	PI
130	-24.8	-25	68.0	34.9	68.0	35.23	67.5	35.51	67.5	35.94	67.5	36.34	66.8	36.98
	-21.8	-22	82.9	35.55	82.9	35.88	82.4	36.15	82.4	36.58	82.4	36.98	81.5	37.62
	-19.8	-20	87.7	35.98	87.7	36.30	87.1	36.58	87.1	37.00	87.1	37.40	86.2	38.04
	-18.8	-19	89.7	36.19	89.7	36.51	89.2	36.79	89.2	37.21	89.2	37.62	88.2	38.26
	-16.7	-17	94.0	36.64	94.0	36.96	93.5	37.24	93.5	37.66	93.5	38.07	92.5	38.70
	-13.7	-15	100.2	37.28	100.2	37.60	99.6	37.88	99.6	38.31	99.6	38.70	98.5	37.35
	-11.8	-13	103.5	37.68	103.5	38.00	102.9	38.28	102.9	38.70	102.9	37.79	102.0	36.47
	-9.8	-11	107.0	38.11	107.0	38.43	106.4	38.70	106.4	37.75	106.4	36.83	105.6	35.57
	-9.5	-10	108.0	38.17	108.0	38.50	107.3	38.57	107.3	37.60	106.9	36.70	106.1	35.44
	-8.5	-9.1	111.0	38.39	111.0	38.70	110.3	38.08	110.3	37.12	108.6	36.21	108.0	34.98
	-7.0	-7.6	115.7	38.70	115.7	38.01	114.9	37.35	114.9	36.40	114.9	35.50	112.0	34.29
	-5.0	-5.6	121.7	37.83	121.7	37.08	121.0	36.38	121.0	35.43	121.0	34.54	116.0	33.38
	-3.0	-3.7	127.9	36.94	127.9	36.14	127.1	35.41	127.1	34.48	127.1	33.58	120.0	32.48
	0.0	-0.7	137.0	35.62	137.0	34.74	136.2	33.95	135.1	33.03	132.9	32.15	126.0	31.11
	3.0	2.2	140.9	34.29	140.9	33.34	140.2	32.50	138.6	31.59	136.4	30.70	127.5	29.74
	5.0	4.1	143.3	33.41	143.3	32.41	142.6	31.53	141.0	30.63	137.0	29.74	127.5	28.83
	7.0	6	145.6	32.52	145.6	31.48	144.9	30.56	142.0	29.67	137.0	28.78	127.5	27.92
9.0	7.9	146.0	31.80	146.0	30.78	145.6	29.89	142.0	29.01	137.0	28.15	127.5	27.31	
11.0	9.8	146.0	31.37	146.0	30.36	145.6	29.48	142.0	28.62	137.0	27.77	127.5	26.93	
13.0	11.8	146.0	30.90	146.0	29.90	145.6	29.03	142.0	28.19	137.0	27.35	127.5	26.53	
15.0	13.7	146.0	30.39	146.0	29.41	145.6	28.54	142.0	27.72	137.0	26.89	127.5	26.09	
120	-24.8	-25	67.5	35.23	67.5	35.51	67.0	35.94	67.0	36.34	67.0	36.98	66.3	37.43
	-21.8	-22	82.4	35.88	82.4	36.15	81.9	36.58	81.9	36.98	81.9	37.62	81.0	38.07
	-19.8	-20	87.1	36.30	87.1	36.58	86.5	37.00	86.5	37.40	86.5	38.04	85.5	38.50
	-18.8	-19	89.1	36.51	89.1	36.79	88.6	37.21	88.6	37.62	88.6	38.26	87.6	38.70
	-16.7	-17	93.4	36.96	93.4	37.24	92.8	37.66	92.8	38.07	92.8	38.70	91.8	37.82
	-13.7	-15	99.5	37.60	99.5	37.88	98.9	38.31	98.9	38.70	98.9	37.40	97.8	36.57
	-11.8	-13	102.8	38.00	102.8	38.28	102.2	38.70	102.2	37.79	102.2	36.58	101.3	35.78
	-9.8	-11	106.3	38.43	106.3	38.70	105.6	37.71	105.6	36.82	105.6	35.71	104.9	34.95
	-9.5	-10	107.2	38.50	107.2	38.55	106.5	37.56	106.5	36.68	106.5	35.58	105.7	34.82
	-8.5	-9.1	110.2	38.70	110.2	38.02	109.6	37.05	109.6	36.19	109.1	35.14	108.2	34.39
	-7.0	-7.6	114.8	37.93	114.8	37.23	114.1	36.30	114.1	35.47	112.2	34.50	111.1	33.77
	-5.0	-5.6	120.9	36.90	120.9	36.17	120.1	35.29	120.1	34.50	120.1	33.63	115.2	32.94
	-3.0	-3.7	127.0	35.85	127.0	35.12	126.2	34.28	126.2	33.53	125.4	32.76	119.2	32.10
	0.0	-0.7	136.1	34.30	135.6	33.54	132.7	32.77	130.7	32.08	128.9	31.46	119.8	30.84
	3.0	2.2	139.9	32.75	139.2	31.95	136.2	31.27	133.1	30.63	129.0	30.16	119.8	29.59
	5.0	4.1	142.2	31.71	141.5	30.90	137.7	30.26	133.1	29.67	129.0	29.29	119.8	28.75
	7.0	6	144.6	30.67	143.3	29.84	137.7	29.26	133.1	28.69	129.0	28.43	119.8	27.92
9.0	7.9	144.9	29.91	143.3	29.10	137.7	28.53	133.1	27.98	129.0	27.72	119.8	27.23	
11.0	9.8	144.9	29.42	143.3	28.62	137.7	28.06	133.1	27.52	129.0	27.26	119.8	26.78	
13.0	11.8	144.9	28.89	143.3	28.11	137.7	27.55	133.1	27.03	129.0	26.77	119.8	26.29	
15.0	13.7	144.9	28.31	143.3	27.54	137.7	27.00	133.1	26.48	129.0	26.23	119.8	25.76	
110	-24.8	-25	67.1	35.51	67.1	35.94	66.6	36.34	66.6	36.98	66.6	37.43	65.9	37.65
	-21.8	-22	81.9	36.15	81.9	36.58	81.4	36.98	81.4	37.62	81.4	38.07	80.5	38.28
	-19.8	-20	86.6	36.58	86.6	37.00	86.0	37.40	86.0	38.04	86.0	38.50	85.0	38.70
	-18.8	-19	88.6	36.79	88.6	37.21	88.1	37.62	88.1	38.26	88.1	38.70	87.1	38.24
	-16.7	-17	92.9	37.24	92.9	37.66	92.3	38.07	92.3	38.70	92.3	37.75	91.3	37.25
	-13.7	-15	98.9	37.88	98.9	38.31	98.3	38.70	98.3	37.26	98.3	36.38	98.3	35.83
	-11.8	-13	102.2	38.28	102.2	38.70	101.6	37.69	101.6	36.35	101.6	35.51	101.6	34.94
	-9.8	-11	105.7	38.70	105.7	37.56	105.0	36.62	105.0	35.38	105.0	34.60	104.6	34.00
	-9.5	-10	106.6	38.52	106.6	37.38	106.0	36.45	106.0	35.23	106.0	34.46	105.7	33.86
	-8.5	-9.1	109.6	37.91	109.6	36.81	108.9	35.92	108.9	34.75	108.7	34.00	107.3	33.39
	-7.0	-7.6	114.2	36.98	114.2	35.95	113.5	35.11	113.5	34.03	112.0	33.32	107.8	32.68
	-5.0	-5.6	120.2	35.75	120.2	34.81	119.5	34.05	118.5	33.06	114.6	32.41	107.8	31.74
	-3.0	-3.7	126.3	34.52	126.3	33.66	122.6	32.97	119.5	32.10	115.5	31.49	107.8	30.80
	0.0	-0.7	133.4	32.66	130.1	31.94	123.6	31.36	119.5	30.65	115.5	30.12	107.8	29.38
	3.0	2.2	136.9	30.82	131.7	30.22	123.6	29.75	119.5	29.20	115.5	28.75	107.8	27.97
	5.0	4.1	139.3	29.59	131.7	29.07	123.6	28.68	119.5	28.23	115.5	27.83	107.8	27.04
	7.0	6	139.3	28.34	131.7	27.92	123.6	27.60	119.5	27.27	115.5	26.93	107.8	26.09
9.0	7.9	139.3	27.52	131.7	27.10	123.6	26.80	119.5	26.48	115.5	26.13	107.8	25.33	
11.0	9.8	139.3	26.93	131.7	26.53	123.6	26.23	119.5	25.91	115.5	25.58	107.8	24.78	
13.0	11.8	139.3	26.30	131.7	25.91	123.6	25.61	119.5	25.30	115.5	24.97	107.8	24.21	
15.0	13.7	139.3	25.63	131.7	25.24	123.6	24.95	119.5	24.65	115.5	24.33	107.8	23.58	

Outdoor Units

Notes:

1. TC: Total Capacity(kW) PI : Power Input(kW)(Comp. + Outdoor fan motor)
2. Capacity tables show the average value of conditions which may occur.
3. ■■■ is shown as reference. When selecting the outdoor units, avoid the outdoor air temperature range shown by ■■■ .

7. Capacity Tables

Heating Capacity(36HP)

Outdoor Units

Combination (%)	Outdoor air temp		Indoor air temp. °C DB											
			16		18		20		21		22		24	
	°C DB	°C WB	TC	PI	TC	PI	TC	PI	TC	PI	TC	PI	TC	PI
100	-24.8	-25	66.8	38.96	66.8	38.92	66.4	36.69	66.4	38.84	66.4	38.81	65.6	38.79
	-21.8	-22	81.6	38.91	81.6	38.87	81.1	37.85	81.1	38.80	81.1	39.24	80.2	38.74
	-19.8	-20	86.2	38.87	86.2	38.85	85.7	38.58	85.7	38.76	85.7	38.89	84.7	38.70
	-18.8	-19	88.3	38.85	87.7	38.83	87.7	38.80	87.7	38.74	87.7	38.70	86.7	38.12
	-16.7	-17	91.9	38.83	91.9	38.79	91.9	39.24	91.4	38.70	91.4	37.50	90.4	36.89
	-13.7	-15	98.4	38.77	98.4	38.74	97.9	38.70	97.9	36.98	97.9	35.78	96.8	35.13
	-11.8	-13	101.7	38.74	101.1	38.70	101.1	37.55	101.1	35.87	101.1	34.69	98.2	34.01
	-9.8	-11	105.2	38.70	105.2	37.41	104.6	36.34	104.6	34.71	103.8	33.54	98.5	32.84
	-9.5	-10	106.0	38.50	106.0	37.22	105.5	36.15	105.5	34.54	104.4	33.37	98.5	32.67
	-8.5	-9.1	109.1	37.84	109.1	36.58	108.5	35.54	109.4	33.96	105.8	32.80	98.5	32.08
	-7.0	-7.6	115.5	36.83	115.0	35.61	113.0	34.64	109.4	33.09	105.8	31.94	98.5	31.20
	-5.0	-5.6	120.5	35.49	119.3	34.32	113.0	33.42	109.4	31.93	105.8	30.79	98.5	30.03
	-3.0	-3.7	124.0	34.15	120.2	33.03	113.0	32.20	109.4	30.77	105.8	29.64	98.5	28.86
	0.0	-0.7	127.5	32.13	120.2	31.10	113.0	30.37	109.4	29.04	105.8	27.92	98.5	27.09
	3.0	2.2	127.5	30.13	120.2	29.16	113.0	28.55	109.4	27.31	105.8	26.21	98.5	25.34
	5.0	4.1	127.5	28.78	120.2	27.87	113.0	27.34	109.4	26.15	105.8	25.06	98.5	24.17
	7.0	6	127.5	27.44	120.2	26.58	113.0	26.12	109.4	24.99	105.8	23.91	98.5	23.00
9.0	7.9	127.5	26.47	120.2	25.63	113.0	25.19	109.4	24.10	105.8	23.06	98.5	22.17	
11.0	9.8	127.5	25.71	120.2	24.90	113.0	24.47	109.4	23.41	105.8	22.40	98.5	21.54	
13.0	11.8	127.5	24.91	120.2	24.13	113.0	23.71	109.4	22.68	105.8	21.70	98.5	20.87	
15.0	13.7	127.5	24.06	120.2	23.30	113.0	22.90	109.4	21.90	105.8	20.96	98.5	20.15	
90	-24.8	-25	66.6	34.83	66.6	35.47	66.1	35.93	66.1	36.13	66.1	36.56	65.4	37.20
	-21.8	-22	81.2	35.47	81.2	36.12	80.7	36.56	80.7	36.78	80.7	37.20	79.8	35.66
	-19.8	-20	85.9	35.90	85.9	36.54	85.3	36.99	85.3	37.20	85.3	36.16	84.4	34.64
	-18.8	-19	88.3	36.12	87.7	36.75	87.4	37.20	87.4	36.67	87.4	35.63	86.4	34.13
	-16.7	-17	91.9	36.56	91.9	37.20	91.5	36.10	91.5	35.54	91.5	34.54	89.1	33.05
	-13.7	-15	98.4	37.20	98.4	35.57	97.5	34.53	97.5	33.94	95.8	32.98	90.1	31.51
	-11.8	-13	101.7	36.09	101.1	34.54	100.8	33.52	99.1	32.92	97.0	31.98	90.1	30.54
	-9.8	-11	105.2	34.91	105.2	33.45	102.3	32.48	100.2	31.84	97.0	30.94	90.1	29.51
	-9.5	-10	106.0	34.75	106.0	33.28	102.8	32.32	100.2	31.69	97.0	30.78	90.1	29.36
	-8.5	-9.1	109.1	34.16	108.3	32.74	103.3	31.79	100.2	31.15	97.0	30.26	90.1	28.85
	-7.0	-7.6	115.5	33.28	109.8	31.93	103.3	31.00	100.2	30.35	97.0	29.48	90.1	28.08
	-5.0	-5.6	116.7	32.11	109.8	30.84	103.3	29.96	100.2	29.28	97.0	28.43	90.1	27.05
	-3.0	-3.7	116.7	30.94	109.8	29.75	103.3	28.91	100.2	28.20	97.0	27.39	90.1	26.03
	0.0	-0.7	116.7	29.18	109.8	28.12	103.3	27.33	100.2	26.60	97.0	25.82	90.1	24.49
	3.0	2.2	116.7	27.42	109.8	26.49	103.3	25.76	100.2	24.99	97.0	24.26	90.1	22.96
	5.0	4.1	116.7	26.25	109.8	25.40	103.3	24.70	100.2	23.92	97.0	23.21	90.1	21.93
	7.0	6	116.7	25.08	109.8	24.31	103.3	23.65	100.2	22.84	97.0	22.17	90.1	20.90
9.0	7.9	116.7	23.97	109.8	23.23	103.3	22.61	100.2	21.83	97.0	21.18	90.1	19.98	
11.0	9.8	116.7	22.86	109.8	22.15	103.3	21.55	100.2	20.82	97.0	20.20	90.1	19.05	
13.0	11.8	116.7	21.74	109.8	21.07	103.3	20.50	100.2	19.81	97.0	19.22	90.1	18.12	
15.0	13.7	116.7	20.62	109.8	19.99	103.3	19.46	100.2	18.79	97.0	18.23	90.1	17.19	
80	-24.8	-25	66.3	30.62	66.3	31.26	65.9	31.71	65.9	31.93	65.9	32.99	65.1	31.64
	-21.8	-22	80.4	31.26	80.4	31.90	80.4	32.35	80.4	32.99	80.4	31.64	78.8	30.33
	-19.8	-20	85.0	31.69	85.0	32.32	85.0	32.99	85.0	32.04	84.1	30.74	80.5	29.46
	-18.8	-19	87.0	31.90	87.0	32.99	87.0	32.51	86.8	31.56	85.0	30.28	80.5	29.02
	-16.7	-17	90.5	32.99	90.5	31.99	90.5	31.50	88.9	30.56	86.5	29.33	80.5	28.11
	-13.7	-15	92.5	31.52	92.5	30.57	92.5	30.06	89.7	29.14	86.5	27.99	80.5	26.81
	-11.8	-13	94.2	30.58	92.5	29.66	92.5	29.15	89.7	28.23	86.5	27.13	80.5	25.98
	-9.8	-11	98.5	29.60	95.9	28.71	92.5	28.19	89.7	27.28	86.5	26.23	80.5	25.12
	-9.5	-10	99.2	29.46	96.5	28.58	92.5	28.05	89.7	27.14	86.5	26.10	80.5	24.99
	-8.5	-9.1	101.3	28.96	98.5	28.10	92.5	27.57	89.7	26.66	86.5	25.64	80.5	24.55
	-7.0	-7.6	104.5	28.23	98.5	27.39	92.5	26.85	89.7	25.95	86.5	24.96	80.5	23.90
	-5.0	-5.6	104.5	27.25	98.5	26.44	92.5	25.89	89.7	25.00	86.5	24.07	80.5	23.03
	-3.0	-3.7	104.5	26.26	98.5	25.49	92.5	24.92	89.7	24.04	86.5	23.17	80.5	22.17
	0.0	-0.7	104.5	24.80	98.5	24.06	92.5	23.49	89.7	22.62	86.5	21.81	80.5	20.86
	3.0	2.2	104.5	23.33	98.5	22.64	92.5	22.04	89.7	21.19	86.5	20.46	80.5	19.55
	5.0	4.1	104.5	22.34	98.5	21.69	92.5	21.09	89.7	20.25	86.5	19.55	80.5	18.69
	7.0	6	104.5	21.36	98.5	20.74	92.5	20.13	89.7	19.30	86.5	18.66	80.5	17.82
9.0	7.9	104.5	20.06	98.5	19.48	92.5	18.90	89.7	18.12	86.5	17.52	80.5	16.73	
11.0	9.8	104.5	18.61	98.5	18.08	92.5	17.54	89.7	16.81	86.5	16.26	80.5	15.53	
13.0	11.8	104.5	17.38	98.5	16.87	92.5	16.37	89.7	15.69	86.5	15.18	80.5	14.49	
15.0	13.7	104.5	16.36	98.5	15.88	92.5	15.42	89.7	14.77	86.5	14.29	80.5	13.64	

Notes:

1. TC: Total Capacity(kW) PI : Power Input(kW)(Comp. + Outdoor fan motor)
2. Capacity tables show the average value of conditions which may occur.
3. ■■■ is shown as reference. When selecting the outdoor units, avoid the outdoor air temperature range shown by ■■■ .

7. Capacity Tables

Heating Capacity(36HP)

Combination (%)	Outdoor air temp		Indoor air temp. °C DB											
			16		18		20		21		22		24	
	°C DB	°C WB	TC	PI	TC	PI	TC	PI	TC	PI	TC	PI	TC	PI
70	-24.8	-25	66.3	30.76	66.3	30.97	65.9	31.40	65.9	32.04	65.9	30.57	65.1	29.19
	-21.8	-22	78.1	31.40	78.3	31.62	77.8	32.04	76.0	30.57	73.7	29.19	68.9	27.86
	-19.8	-20	83.9	31.82	82.6	32.04	78.7	31.01	76.0	29.59	73.7	28.28	68.9	26.97
	-18.8	-19	86.2	32.04	83.5	31.51	78.7	30.50	76.0	29.10	73.7	27.81	68.9	26.52
	-16.7	-17	88.3	30.94	83.7	30.40	78.7	29.42	76.0	28.08	73.7	26.86	68.9	25.58
	-13.7	-15	88.6	29.38	83.7	28.81	78.7	27.88	76.0	26.60	73.7	25.48	68.9	24.24
	-11.8	-13	88.6	28.39	83.7	27.80	78.7	26.90	76.0	25.67	73.7	24.61	68.9	23.40
	-9.8	-11	88.6	27.35	83.7	26.74	78.7	25.88	76.0	24.70	73.7	23.69	68.9	22.51
	-9.5	-10	88.6	27.19	83.7	26.58	78.7	25.72	76.0	24.55	73.7	23.55	68.9	22.38
	-8.5	-9.1	88.6	26.68	83.7	26.05	78.7	25.21	76.0	24.06	73.7	23.09	68.9	21.93
	-7.0	-7.6	88.6	25.89	83.7	25.27	78.7	24.44	76.0	23.32	73.7	22.40	68.9	21.26
	-5.0	-5.6	88.6	24.85	83.7	24.21	78.7	23.41	76.0	22.35	73.7	21.49	68.9	20.37
	-3.0	-3.7	88.6	23.81	83.7	23.15	78.7	22.39	76.0	21.37	73.7	20.57	68.9	19.48
	0.0	-0.7	88.6	22.24	83.7	21.56	78.7	20.85	76.0	19.91	73.7	19.19	68.9	18.14
	3.0	2.2	88.6	20.69	83.7	19.97	78.7	19.31	76.0	18.43	73.7	17.82	68.9	16.81
	5.0	4.1	88.6	19.65	83.7	18.91	78.7	18.28	76.0	17.46	73.7	16.90	68.9	15.92
	7.0	6	88.6	18.60	83.7	17.85	78.7	17.26	76.0	16.48	73.7	15.98	68.9	15.02
	9.0	7.9	88.6	16.80	83.7	16.13	78.7	15.58	76.0	14.88	73.7	14.43	68.9	13.57
11.0	9.8	88.6	15.64	83.7	15.01	78.7	14.51	76.0	13.85	73.7	13.43	68.9	12.63	
13.0	11.8	88.6	14.63	83.7	14.05	78.7	13.57	76.0	12.96	73.7	12.57	68.9	11.81	
15.0	13.7	88.6	13.80	83.7	13.24	78.7	12.80	76.0	12.22	73.7	11.85	68.9	11.14	
60	-24.8	-25	65.7	30.26	65.7	30.70	65.2	31.33	64.0	29.77	62.7	28.29	59.0	26.91
	-21.8	-22	71.9	30.90	72.0	31.33	67.5	29.77	65.3	28.29	63.0	26.91	59.0	25.56
	-19.8	-20	76.0	31.33	72.0	30.23	67.5	28.72	65.3	27.31	63.0	25.98	59.0	24.66
	-18.8	-19	76.0	30.78	72.0	29.68	67.5	28.20	65.3	26.82	63.0	25.51	59.0	24.21
	-16.7	-17	76.0	29.62	72.0	28.52	67.5	27.10	65.3	25.79	63.0	24.54	59.0	23.27
	-13.7	-15	76.0	27.95	72.0	26.87	67.5	25.54	65.3	24.32	63.0	23.16	59.0	21.92
	-11.8	-13	76.0	26.91	72.0	25.82	67.5	24.55	65.3	23.38	63.0	22.28	59.0	21.07
	-9.8	-11	76.0	25.80	72.0	24.71	67.5	23.50	65.3	22.40	63.0	21.36	59.0	20.18
	-9.5	-10	76.0	25.63	72.0	24.55	67.5	23.35	65.3	22.25	63.0	21.21	59.0	20.04
	-8.5	-9.1	76.0	25.07	72.0	24.00	67.5	22.83	65.3	21.77	63.0	20.75	59.0	19.59
	-7.0	-7.6	76.0	24.25	72.0	23.18	67.5	22.04	65.3	21.03	63.0	20.06	59.0	18.92
	-5.0	-5.6	76.0	23.14	72.0	22.07	67.5	20.99	65.3	20.05	63.0	19.14	59.0	18.01
	-3.0	-3.7	76.0	22.04	72.0	20.97	67.5	19.96	65.3	19.07	63.0	18.21	59.0	17.12
	0.0	-0.7	76.0	20.38	72.0	19.31	67.5	18.39	65.3	17.60	63.0	16.82	59.0	15.78
	3.0	2.2	76.0	18.71	72.0	17.66	67.5	16.82	65.3	16.12	63.0	15.43	59.0	14.42
	5.0	4.1	76.0	17.60	72.0	16.55	67.5	15.78	65.3	15.14	63.0	14.51	59.0	13.53
	7.0	6	76.0	16.50	72.0	15.46	67.5	14.73	65.3	14.16	63.0	13.59	59.0	12.63
	9.0	7.9	76.0	14.72	72.0	13.79	67.5	13.15	65.3	12.64	63.0	12.12	59.0	11.28
11.0	9.8	76.0	13.75	72.0	12.88	67.5	12.28	65.3	11.79	63.0	11.32	59.0	10.52	
13.0	11.8	76.0	12.88	72.0	12.06	67.5	11.50	65.3	11.05	63.0	10.61	59.0	9.86	
15.0	13.7	76.0	12.18	72.0	11.40	67.5	10.87	65.3	10.45	63.0	10.02	59.0	9.32	
50	-24.8	-25	63.5	26.75	59.9	27.38	56.3	25.98	54.5	24.66	52.6	23.41	49.0	22.24
	-21.8	-22	63.5	27.38	59.9	25.98	56.3	24.66	54.5	23.41	52.6	22.24	49.0	21.12
	-19.8	-20	63.5	26.40	59.9	25.04	56.3	23.78	54.5	22.57	52.6	21.46	49.0	20.37
	-18.8	-19	63.5	25.91	59.9	24.57	56.3	23.34	54.5	22.16	52.6	21.07	49.0	19.99
	-16.7	-17	63.5	24.90	59.9	23.59	56.3	22.42	54.5	21.28	52.6	20.26	49.0	19.20
	-13.7	-15	63.5	23.43	59.9	22.17	56.3	21.10	54.5	20.04	52.6	19.10	49.0	18.07
	-11.8	-13	63.5	22.50	59.9	21.29	56.3	20.27	54.5	19.24	52.6	18.36	49.0	17.36
	-9.8	-11	63.5	21.52	59.9	20.34	56.3	19.39	54.5	18.41	52.6	17.58	49.0	16.61
	-9.5	-10	63.5	21.37	59.9	20.21	56.3	19.25	54.5	18.28	52.6	17.47	49.0	16.50
	-8.5	-9.1	63.5	20.88	59.9	19.74	56.3	18.81	54.5	17.87	52.6	17.08	49.0	16.13
	-7.0	-7.6	63.5	20.16	59.9	19.04	56.3	18.15	54.5	17.24	52.6	16.49	49.0	15.57
	-5.0	-5.6	63.5	19.18	59.9	18.09	56.3	17.27	54.5	16.41	52.6	15.72	49.0	14.81
	-3.0	-3.7	63.5	18.20	59.9	17.16	56.3	16.40	54.5	15.58	52.6	14.94	49.0	14.06
	0.0	-0.7	63.5	16.73	59.9	15.74	56.3	15.08	54.5	14.32	52.6	13.77	49.0	12.93
	3.0	2.2	63.5	15.26	59.9	14.34	56.3	13.76	54.5	13.07	52.6	12.61	49.0	11.81
	5.0	4.1	63.5	14.29	59.9	13.41	56.3	12.88	54.5	12.24	52.6	11.83	49.0	11.06
	7.0	6	63.5	13.31	59.9	12.46	56.3	12.00	54.5	11.40	52.6	11.05	49.0	10.31
	9.0	7.9	63.5	12.02	59.9	11.26	56.3	10.84	54.5	10.30	52.6	9.98	49.0	9.31
11.0	9.8	63.5	11.25	59.9	10.53	56.3	10.14	54.5	9.64	52.6	9.34	49.0	8.71	
13.0	11.8	63.5	10.56	59.9	9.89	56.3	9.52	54.5	9.04	52.6	8.76	49.0	8.18	
15.0	13.7	63.5	9.99	59.9	9.36	56.3	9.01	54.5	8.56	52.6	8.30	49.0	7.74	

Notes:

1. TC: Total Capacity(kW) PI : Power Input(kW)(Comp. + Outdoor fan motor)
2. Capacity tables show the average value of conditions which may occur.
3. ■■■ is shown as reference. When selecting the outdoor units, avoid the outdoor air temperature range shown by ■■■ .

7. Capacity Tables

ARUB380LTE4

Heating Capacity(38HP)

Outdoor Units

Combination (%)	Outdoor air temp		Indoor air temp. °C DB											
			16		18		20		21		22		24	
	°C DB	°C WB	TC	PI	TC	PI	TC	PI	TC	PI	TC	PI	TC	PI
130	-24.8	-25	76.8	40.3	76.8	40.50	76.2	40.67	76.2	40.92	76.2	41.17	74.8	41.55
	-21.8	-22	92.2	40.70	92.2	40.89	91.6	41.06	91.6	41.31	91.6	41.55	89.9	41.93
	-19.8	-20	96.8	40.95	96.8	41.14	96.1	41.31	96.1	41.56	96.1	41.80	94.3	42.19
	-18.8	-19	98.7	41.07	98.7	41.26	98.1	41.43	98.1	41.69	98.1	41.93	96.2	42.32
	-16.7	-17	102.9	41.34	102.9	41.54	102.2	41.70	102.2	41.96	102.2	42.20	100.3	42.58
	-13.7	-15	108.9	41.73	108.9	41.92	108.2	42.09	108.2	42.34	108.2	42.58	106.2	40.94
	-11.8	-13	112.4	41.97	112.4	42.16	111.7	42.33	111.7	42.58	111.7	41.47	109.8	39.88
	-9.8	-11	116.1	42.23	116.1	42.41	115.5	42.58	115.5	41.39	115.5	40.29	113.7	38.79
	-9.5	-10	116.8	42.26	116.8	42.46	116.1	42.40	116.1	41.21	116.0	40.12	114.3	38.62
	-8.5	-9.1	119.1	42.40	119.1	42.58	118.4	41.79	118.4	40.62	117.8	39.53	116.2	38.07
	-7.0	-7.6	122.5	42.58	122.5	41.68	121.8	40.87	121.8	39.73	121.8	38.66	119.2	37.24
	-5.0	-5.6	127.0	41.42	127.0	40.49	126.2	39.65	126.2	38.53	126.2	37.49	123.0	36.14
	-3.0	-3.7	131.5	40.25	131.5	39.28	130.7	38.44	130.7	37.34	130.7	36.31	126.9	35.05
	0.0	-0.7	138.2	38.49	138.2	37.49	137.4	36.60	137.4	35.55	137.4	34.56	132.7	33.39
	3.0	2.2	145.1	36.74	145.1	35.69	144.1	34.77	144.1	33.77	144.1	32.79	135.1	31.74
	5.0	4.1	149.6	35.57	149.6	34.49	148.7	33.55	148.7	32.58	145.2	31.62	135.1	30.64
	7.0	6	154.1	34.40	154.1	33.30	153.1	32.33	150.4	31.38	145.2	30.45	135.1	29.54
	9.0	7.9	154.7	33.43	154.7	32.36	154.3	31.42	150.4	30.50	145.2	29.59	135.1	28.71
	11.0	9.8	154.7	32.76	154.7	31.70	154.3	30.78	150.4	29.89	145.2	29.00	135.1	28.12
	13.0	11.8	154.7	32.03	154.7	30.99	154.3	30.09	150.4	29.22	145.2	28.36	135.1	27.50
15.0	13.7	154.7	31.25	154.7	30.25	154.3	29.36	150.4	28.51	145.2	27.66	135.1	26.83	
120	-24.8	-25	76.2	40.50	76.2	40.67	75.7	40.92	75.7	41.17	75.7	41.55	74.3	41.82
	-21.8	-22	91.6	40.89	91.6	41.06	91.0	41.31	91.0	41.55	91.0	41.93	89.3	42.20
	-19.8	-20	96.0	41.14	96.0	41.31	95.4	41.56	95.4	41.80	95.4	42.19	93.6	42.46
	-18.8	-19	98.0	41.26	98.0	41.43	97.4	41.69	97.4	41.93	97.4	42.32	95.6	42.58
	-16.7	-17	102.2	41.54	102.2	41.70	101.5	41.96	101.5	42.20	101.5	42.58	99.6	41.52
	-13.7	-15	108.1	41.92	108.1	42.09	107.5	42.34	107.5	42.58	107.5	41.00	105.4	40.00
	-11.8	-13	111.7	42.16	111.7	42.33	110.9	42.58	110.9	41.46	110.9	39.99	109.1	39.04
	-9.8	-11	115.3	42.41	115.3	42.58	114.6	41.35	114.6	40.28	114.6	38.94	112.9	38.03
	-9.5	-10	116.0	42.46	116.0	42.39	115.3	41.16	115.3	40.10	115.3	38.78	113.5	37.88
	-8.5	-9.1	118.2	42.58	118.2	41.73	117.6	40.54	117.6	39.51	117.4	38.25	115.5	37.37
	-7.0	-7.6	121.6	41.60	121.6	40.75	120.8	39.61	120.8	38.62	120.4	37.46	118.3	36.61
	-5.0	-5.6	126.1	40.30	126.1	39.43	125.3	38.37	125.3	37.45	125.3	36.40	122.2	35.60
	-3.0	-3.7	130.6	38.98	130.6	38.12	129.8	37.14	129.8	36.26	129.8	35.35	126.1	34.59
	0.0	-0.7	137.3	37.02	137.3	36.16	136.5	35.28	136.5	34.49	136.5	33.77	126.9	33.07
	3.0	2.2	144.1	35.07	144.1	34.19	143.1	33.43	141.0	32.72	136.6	32.18	126.9	31.55
	5.0	4.1	148.5	33.76	148.5	32.88	145.9	32.19	141.0	31.54	136.6	31.12	126.9	30.54
	7.0	6	153.0	32.44	151.8	31.57	145.9	30.95	141.0	30.35	136.6	30.07	126.9	29.53
	9.0	7.9	153.5	31.46	151.8	30.60	145.9	30.00	141.0	29.43	136.6	29.15	126.9	28.63
	11.0	9.8	153.5	30.74	151.8	29.91	145.9	29.32	141.0	28.76	136.6	28.49	126.9	27.98
	13.0	11.8	153.5	29.98	151.8	29.17	145.9	28.59	141.0	28.05	136.6	27.78	126.9	27.28
15.0	13.7	153.5	29.17	151.8	28.37	145.9	27.81	141.0	27.28	136.6	27.03	126.9	26.54	
110	-24.8	-25	75.8	40.67	75.8	40.92	75.3	41.17	75.3	41.55	75.3	41.82	73.9	41.95
	-21.8	-22	91.1	41.06	91.1	41.31	90.5	41.55	90.5	41.93	90.5	42.20	88.8	42.33
	-19.8	-20	95.5	41.31	95.5	41.56	94.9	41.80	94.9	42.19	94.9	42.46	93.0	42.58
	-18.8	-19	97.5	41.43	97.5	41.69	96.9	41.93	96.9	42.32	96.9	42.58	95.0	42.03
	-16.7	-17	101.6	41.70	101.6	41.96	100.9	42.20	100.9	42.58	100.9	41.44	99.0	40.85
	-13.7	-15	107.5	42.09	107.5	42.34	106.8	42.58	106.8	40.85	106.8	39.80	106.8	39.17
	-11.8	-13	111.0	42.33	111.0	42.58	110.3	41.35	110.3	39.75	110.3	38.76	110.3	38.11
	-9.8	-11	114.7	42.58	114.7	41.19	114.0	40.06	114.0	38.59	114.0	37.66	112.9	37.00
	-9.5	-10	115.3	42.35	115.3	40.98	114.7	39.87	114.7	38.41	114.7	37.50	114.2	36.82
	-8.5	-9.1	117.6	41.61	117.6	40.29	116.9	39.23	116.9	37.83	116.9	36.95	114.2	36.27
	-7.0	-7.6	121.0	40.48	121.0	39.25	120.2	38.25	120.2	36.96	120.2	36.14	114.2	35.43
	-5.0	-5.6	125.4	38.98	125.4	37.87	124.6	36.96	124.6	35.80	122.3	35.04	114.2	34.31
	-3.0	-3.7	129.8	37.49	129.8	36.48	129.1	35.66	126.6	34.64	122.3	33.95	114.2	33.19
	0.0	-0.7	136.5	35.23	136.5	34.40	130.9	33.73	126.6	32.91	122.3	32.31	114.2	31.51
	3.0	2.2	143.2	32.99	139.5	32.31	130.9	31.79	126.6	31.16	122.3	30.66	114.2	29.83
	5.0	4.1	147.6	31.49	139.5	30.92	130.9	30.50	126.6	30.00	122.3	29.57	114.2	28.72
	7.0	6	147.6	29.98	139.5	29.53	130.9	29.20	126.6	28.85	122.3	28.48	114.2	27.60
	9.0	7.9	147.6	28.95	139.5	28.51	130.9	28.19	126.6	27.85	122.3	27.49	114.2	26.65
	11.0	9.8	147.6	28.16	139.5	27.73	130.9	27.42	126.6	27.09	122.3	26.74	114.2	25.91
	13.0	11.8	147.6	27.31	139.5	26.90	130.9	26.59	126.6	26.27	122.3	25.93	114.2	25.13
15.0	13.7	147.6	26.41	139.5	26.01	130.9	25.72	126.6	25.41	122.3	25.08	114.2	24.31	

Notes:

1. TC: Total Capacity(kW) PI : Power Input(kW)(Comp. + Outdoor fan motor)
2. Capacity tables show the average value of conditions which may occur.
3. ■■■ is shown as reference. When selecting the outdoor units, avoid the outdoor air temperature range shown by ■■■ .

7. Capacity Tables

Heating Capacity(38HP)

Combination (%)	Outdoor air temp		Indoor air temp. °C DB											
			16		18		20		21		22		24	
	°C DB	°C WB	TC	PI	TC	PI	TC	PI	TC	PI	TC	PI	TC	PI
100	-24.8	-25	75.4	43.44	75.4	43.32	75.0	40.67	75.0	43.04	75.0	42.93	73.5	42.87
	-21.8	-22	90.7	43.26	90.7	43.15	90.1	41.96	90.1	42.88	90.1	43.14	88.4	42.70
	-19.8	-20	95.1	43.15	95.1	43.04	94.5	42.74	94.5	42.76	94.5	42.77	92.7	42.58
	-18.8	-19	97.1	43.09	96.5	42.98	96.5	42.88	96.5	42.70	96.5	42.58	94.6	41.90
	-16.7	-17	100.5	42.98	100.5	42.86	100.5	43.14	100.0	42.58	100.0	41.18	98.1	40.47
	-13.7	-15	107.0	42.80	107.0	42.69	106.4	42.58	106.4	40.54	106.4	39.16	104.3	38.42
	-11.8	-13	110.4	42.70	109.8	42.58	109.8	41.21	109.8	39.24	109.8	37.89	104.3	37.13
	-9.8	-11	114.1	42.58	114.1	41.04	113.6	39.77	113.6	37.88	112.1	36.55	104.3	35.77
	-9.5	-10	114.7	42.34	114.7	40.81	114.2	39.55	114.2	37.68	112.1	36.35	104.3	35.57
	-8.5	-9.1	117.0	41.54	117.0	40.04	116.4	38.82	115.9	37.00	112.1	35.68	104.3	34.88
	-7.0	-7.6	122.3	40.32	121.8	38.89	119.7	37.75	115.9	35.97	112.1	34.67	104.3	33.86
	-5.0	-5.6	127.7	38.71	126.4	37.35	119.7	36.30	115.9	34.61	112.1	33.33	104.3	32.50
	-3.0	-3.7	131.3	37.10	127.3	35.81	119.7	34.86	115.9	33.24	112.1	31.99	104.3	31.14
	0.0	-0.7	135.1	34.67	127.3	33.50	119.7	32.68	115.9	31.20	112.1	29.98	104.3	29.09
	3.0	2.2	135.1	32.26	127.3	31.19	119.7	30.52	115.9	29.16	112.1	27.97	104.3	27.05
	5.0	4.1	135.1	30.64	127.3	29.66	119.7	29.08	115.9	27.80	112.1	26.63	104.3	25.68
	7.0	6	135.1	29.03	127.3	28.12	119.7	27.63	115.9	26.44	112.1	25.30	104.3	24.33
	9.0	7.9	135.1	27.73	127.3	26.85	119.7	26.39	115.9	25.25	112.1	24.16	104.3	23.23
	11.0	9.8	135.1	26.66	127.3	25.82	119.7	25.37	115.9	24.27	112.1	23.23	104.3	22.33
	13.0	11.8	135.1	25.52	127.3	24.72	119.7	24.29	115.9	23.24	112.1	22.23	104.3	21.39
15.0	13.7	135.1	24.32	127.3	23.56	119.7	23.15	115.9	22.14	112.1	21.19	104.3	20.38	
90	-24.8	-25	75.2	39.48	75.2	39.87	74.7	40.14	74.7	40.26	74.7	40.51	73.3	40.90
	-21.8	-22	90.3	39.87	90.3	40.25	89.7	40.51	89.7	40.65	89.7	40.90	88.0	39.13
	-19.8	-20	94.7	40.12	94.7	40.51	94.1	40.78	94.1	40.90	94.1	39.69	92.4	37.95
	-18.8	-19	97.1	40.25	96.5	40.63	96.1	40.90	96.1	40.28	96.1	39.08	94.2	37.36
	-16.7	-17	100.5	40.51	100.5	40.90	100.1	39.61	100.1	38.96	100.1	37.81	95.4	36.11
	-13.7	-15	107.0	40.90	107.0	38.97	106.0	37.77	106.0	37.10	102.8	36.00	95.4	34.34
	-11.8	-13	110.4	39.59	109.8	37.76	109.4	36.59	106.2	35.91	102.8	34.84	95.4	33.22
	-9.8	-11	114.1	38.19	114.1	36.48	109.5	35.36	106.2	34.66	102.8	33.63	95.4	32.04
	-9.5	-10	114.7	37.99	114.7	36.29	109.5	35.18	106.2	34.48	102.8	33.45	95.4	31.86
	-8.5	-9.1	117.0	37.29	116.1	35.64	109.5	34.56	106.2	33.84	102.8	32.84	95.4	31.27
	-7.0	-7.6	122.3	36.25	116.3	34.69	109.5	33.63	106.2	32.91	102.8	31.93	95.4	30.38
	-5.0	-5.6	123.7	34.86	116.3	33.40	109.5	32.41	106.2	31.66	102.8	30.72	95.4	29.20
	-3.0	-3.7	123.7	33.48	116.3	32.12	109.5	31.18	106.2	30.41	102.8	29.51	95.4	28.02
	0.0	-0.7	123.7	31.39	116.3	30.20	109.5	29.33	106.2	28.54	102.8	27.69	95.4	26.25
	3.0	2.2	123.7	29.30	116.3	28.28	109.5	27.49	106.2	26.67	102.8	25.87	95.4	24.48
	5.0	4.1	123.7	27.92	116.3	26.99	109.5	26.25	106.2	25.42	102.8	24.66	95.4	23.29
	7.0	6	123.7	26.53	116.3	25.71	109.5	25.02	106.2	24.17	102.8	23.45	95.4	22.11
	9.0	7.9	123.7	25.23	116.3	24.45	109.5	23.79	106.2	22.98	102.8	22.29	95.4	21.02
	11.0	9.8	123.7	23.92	116.3	23.18	109.5	22.56	106.2	21.79	102.8	21.14	95.4	19.94
	13.0	11.8	123.7	22.62	116.3	21.92	109.5	21.33	106.2	20.60	102.8	19.99	95.4	18.85
15.0	13.7	123.7	21.31	116.3	20.66	109.5	20.10	106.2	19.42	102.8	18.83	95.4	17.76	
80	-24.8	-25	74.8	34.85	74.8	35.23	74.4	35.50	74.4	35.63	74.4	36.27	72.9	34.71
	-21.8	-22	89.4	35.23	89.4	35.61	89.4	35.89	89.4	36.27	89.4	34.71	85.3	33.21
	-19.8	-20	93.7	35.49	93.7	35.87	93.7	36.27	93.7	35.17	91.6	33.67	85.3	32.21
	-18.8	-19	95.7	35.61	95.7	36.27	95.7	35.71	95.0	34.61	91.6	33.15	85.3	31.71
	-16.7	-17	98.0	36.27	98.0	35.10	98.0	34.53	95.0	33.46	91.6	32.05	85.3	30.67
	-13.7	-15	98.0	34.54	98.0	33.44	98.0	32.86	95.0	31.81	91.6	30.50	85.3	29.17
	-11.8	-13	101.0	33.44	98.4	32.38	98.0	31.80	95.0	30.76	91.6	29.51	85.3	28.22
	-9.8	-11	105.1	32.29	102.0	31.27	98.0	30.68	95.0	29.66	91.6	28.47	85.3	27.23
	-9.5	-10	105.7	32.11	102.5	31.11	98.0	30.52	95.0	29.49	91.6	28.32	85.3	27.08
	-8.5	-9.1	107.7	31.53	104.3	30.55	98.0	29.96	95.0	28.94	91.6	27.80	85.3	26.58
	-7.0	-7.6	110.7	30.67	104.3	29.71	98.0	29.12	95.0	28.12	91.6	27.01	85.3	25.83
	-5.0	-5.6	110.7	29.52	104.3	28.60	98.0	28.00	95.0	27.01	91.6	25.98	85.3	24.83
	-3.0	-3.7	110.7	28.36	104.3	27.50	98.0	26.88	95.0	25.91	91.6	24.94	85.3	23.84
	0.0	-0.7	110.7	26.64	104.3	25.83	98.0	25.21	95.0	24.26	91.6	23.38	85.3	22.34
	3.0	2.2	110.7	24.91	104.3	24.16	98.0	23.52	95.0	22.61	91.6	21.81	85.3	20.84
	5.0	4.1	110.7	23.75	104.3	23.05	98.0	22.41	95.0	21.51	91.6	20.77	85.3	19.85
	7.0	6	110.7	22.60	104.3	21.94	98.0	21.29	95.0	20.41	91.6	19.74	85.3	18.85
	9.0	7.9	110.7	21.22	104.3	20.60	98.0	19.99	95.0	19.16	91.6	18.53	85.3	17.69
	11.0	9.8	110.7	19.69	104.3	19.12	98.0	18.55	95.0	17.78	91.6	17.20	85.3	16.42
	13.0	11.8	110.7	18.38	104.3	17.84	98.0	17.32	95.0	16.60	91.6	16.05	85.3	15.33
15.0	13.7	110.7	17.30	104.3	16.80	98.0	16.31	95.0	15.63	91.6	15.12	85.3	14.43	

Notes:

1. TC: Total Capacity(kW) PI : Power Input(kW)(Comp. + Outdoor fan motor)
2. Capacity tables show the average value of conditions which may occur.
3. ■■■ is shown as reference. When selecting the outdoor units, avoid the outdoor air temperature range shown by ■■■ .

7. Capacity Tables

Heating Capacity(38HP)

Outdoor Units

Combination (%)	Outdoor air temp		Indoor air temp. °C DB											
			16		18		20		21		22		24	
	°C DB	°C WB	TC	PI	TC	PI	TC	PI	TC	PI	TC	PI	TC	PI
70	-24.8	-25	74.8	34.65	74.8	34.78	74.4	35.04	74.4	35.42	74.4	33.73	72.0	32.14
	-21.8	-22	84.0	35.04	84.0	35.17	83.4	35.42	80.6	33.73	78.1	32.14	72.9	30.60
	-19.8	-20	90.0	35.29	88.7	35.42	83.4	34.23	80.6	32.59	78.1	31.08	72.9	29.58
	-18.8	-19	92.6	35.42	88.7	34.80	83.4	33.63	80.6	32.02	78.1	30.54	72.9	29.07
	-16.7	-17	93.9	34.13	88.7	33.51	83.4	32.38	80.6	30.84	78.1	29.44	72.9	27.99
	-13.7	-15	93.9	32.31	88.7	31.66	83.4	30.59	80.6	29.14	78.1	27.85	72.9	26.46
	-11.8	-13	93.9	31.15	88.7	30.48	83.4	29.45	80.6	28.06	78.1	26.85	72.9	25.50
	-9.8	-11	93.9	29.93	88.7	29.25	83.4	28.27	80.6	26.94	78.1	25.79	72.9	24.48
	-9.5	-10	93.9	29.74	88.7	29.06	83.4	28.08	80.6	26.76	78.1	25.63	72.9	24.32
	-8.5	-9.1	93.9	29.14	88.7	28.44	83.4	27.49	80.6	26.19	78.1	25.10	72.9	23.81
	-7.0	-7.6	93.9	28.22	88.7	27.53	83.4	26.60	80.6	25.34	78.1	24.31	72.9	23.04
	-5.0	-5.6	93.9	27.00	88.7	26.29	83.4	25.40	80.6	24.22	78.1	23.25	72.9	22.02
	-3.0	-3.7	93.9	25.78	88.7	25.06	83.4	24.21	80.6	23.09	78.1	22.19	72.9	21.00
	0.0	-0.7	93.9	23.94	88.7	23.21	83.4	22.43	80.6	21.39	78.1	20.60	72.9	19.47
	3.0	2.2	93.9	22.12	88.7	21.35	83.4	20.64	80.6	19.69	78.1	19.02	72.9	17.94
	5.0	4.1	93.9	20.90	88.7	20.12	83.4	19.45	80.6	18.56	78.1	17.96	72.9	16.92
	7.0	6	93.9	19.67	88.7	18.89	83.4	18.25	80.6	17.43	78.1	16.91	72.9	15.89
	9.0	7.9	93.9	17.77	88.7	17.06	83.4	16.48	80.6	15.74	78.1	15.27	72.9	14.35
11.0	9.8	93.9	16.54	88.7	15.88	83.4	15.35	80.6	14.65	78.1	14.21	72.9	13.36	
13.0	11.8	93.9	15.48	88.7	14.86	83.4	14.36	80.6	13.71	78.1	13.29	72.9	12.50	
15.0	13.7	93.9	14.60	88.7	14.00	83.4	13.54	80.6	12.92	78.1	12.53	72.9	11.78	
60	-24.8	-25	72.0	34.33	72.0	34.59	71.5	34.97	69.1	33.14	66.7	31.43	62.5	29.82
	-21.8	-22	77.1	34.71	76.2	34.97	71.5	33.14	69.1	31.43	66.7	29.82	62.5	28.26
	-19.8	-20	80.6	34.97	76.2	33.68	71.5	31.92	69.1	30.28	66.7	28.75	62.5	27.23
	-18.8	-19	80.6	34.31	76.2	33.03	71.5	31.31	69.1	29.71	66.7	28.20	62.5	26.71
	-16.7	-17	80.6	32.95	76.2	31.67	71.5	30.03	69.1	28.52	66.7	27.08	62.5	25.63
	-13.7	-15	80.6	30.98	76.2	29.73	71.5	28.21	69.1	26.80	66.7	25.47	62.5	24.07
	-11.8	-13	80.6	29.74	76.2	28.51	71.5	27.04	69.1	25.71	66.7	24.46	62.5	23.09
	-9.8	-11	80.6	28.44	76.2	27.21	71.5	25.82	69.1	24.57	66.7	23.38	62.5	22.06
	-9.5	-10	80.6	28.23	76.2	27.02	71.5	25.65	69.1	24.40	66.7	23.22	62.5	21.91
	-8.5	-9.1	80.6	27.58	76.2	26.37	71.5	25.03	69.1	23.84	66.7	22.68	62.5	21.38
	-7.0	-7.6	80.6	26.60	76.2	25.40	71.5	24.12	69.1	22.98	66.7	21.88	62.5	20.61
	-5.0	-5.6	80.6	25.30	76.2	24.11	71.5	22.90	69.1	21.83	66.7	20.81	62.5	19.57
	-3.0	-3.7	80.6	23.99	76.2	22.82	71.5	21.69	69.1	20.69	66.7	19.74	62.5	18.54
	0.0	-0.7	80.6	22.03	76.2	20.87	71.5	19.85	69.1	18.98	66.7	18.12	62.5	16.99
	3.0	2.2	80.6	20.06	76.2	18.94	71.5	18.02	69.1	17.26	66.7	16.51	62.5	15.43
	5.0	4.1	80.6	18.76	76.2	17.64	71.5	16.81	69.1	16.12	66.7	15.44	62.5	14.40
	7.0	6	80.6	17.45	76.2	16.35	71.5	15.59	69.1	14.98	66.7	14.37	62.5	13.37
	9.0	7.9	80.6	15.57	76.2	14.58	71.5	13.91	69.1	13.37	66.7	12.82	62.5	11.93
11.0	9.8	80.6	14.54	76.2	13.63	71.5	12.99	69.1	12.48	66.7	11.97	62.5	11.13	
13.0	11.8	80.6	13.63	76.2	12.76	71.5	12.16	69.1	11.69	66.7	11.22	62.5	10.43	
15.0	13.7	80.6	12.88	76.2	12.06	71.5	11.50	69.1	11.05	66.7	10.60	62.5	9.86	
50	-24.8	-25	67.2	29.73	63.4	30.10	59.6	28.51	57.7	27.02	55.7	25.61	51.9	24.30
	-21.8	-22	67.2	30.10	63.4	28.51	59.6	27.02	57.7	25.61	55.7	24.30	51.9	23.03
	-19.8	-20	67.2	28.99	63.4	27.45	59.6	26.02	57.7	24.66	55.7	23.42	51.9	22.19
	-18.8	-19	67.2	28.43	63.4	26.92	59.6	25.52	57.7	24.20	55.7	22.98	51.9	21.77
	-16.7	-17	67.2	27.27	63.4	25.80	59.6	24.48	57.7	23.21	55.7	22.06	51.9	20.88
	-13.7	-15	67.2	25.60	63.4	24.20	59.6	22.99	57.7	21.80	55.7	20.75	51.9	19.62
	-11.8	-13	67.2	24.55	63.4	23.19	59.6	22.05	57.7	20.91	55.7	19.92	51.9	18.82
	-9.8	-11	67.2	23.43	63.4	22.12	59.6	21.05	57.7	19.97	55.7	19.04	51.9	17.98
	-9.5	-10	67.2	23.26	63.4	21.97	59.6	20.90	57.7	19.82	55.7	18.92	51.9	17.86
	-8.5	-9.1	67.2	22.70	63.4	21.43	59.6	20.40	57.7	19.35	55.7	18.48	51.9	17.44
	-7.0	-7.6	67.2	21.87	63.4	20.64	59.6	19.66	57.7	18.65	55.7	17.81	51.9	16.80
	-5.0	-5.6	67.2	20.76	63.4	19.57	59.6	18.66	57.7	17.71	55.7	16.95	51.9	15.95
	-3.0	-3.7	67.2	19.65	63.4	18.51	59.6	17.68	57.7	16.77	55.7	16.07	51.9	15.11
	0.0	-0.7	67.2	17.98	63.4	16.91	59.6	16.18	57.7	15.36	55.7	14.75	51.9	13.85
	3.0	2.2	67.2	16.31	63.4	15.31	59.6	14.69	57.7	13.94	55.7	13.45	51.9	12.59
	5.0	4.1	67.2	15.19	63.4	14.25	59.6	13.69	57.7	13.00	55.7	12.57	51.9	11.75
	7.0	6	67.2	14.08	63.4	13.18	59.6	12.70	57.7	12.06	55.7	11.69	51.9	10.91
	9.0	7.9	67.2	12.71	63.4	11.91	59.6	11.47	57.7	10.89	55.7	10.55	51.9	9.85
11.0	9.8	67.2	11.90	63.4	11.13	59.6	10.72	57.7	10.20	55.7	9.88	51.9	9.21	
13.0	11.8	67.2	11.17	63.4	10.46	59.6	10.07	57.7	9.57	55.7	9.27	51.9	8.65	
15.0	13.7	67.2	10.57	63.4	9.90	59.6	9.53	57.7	9.06	55.7	8.78	51.9	8.19	

Notes:

1. TC: Total Capacity(kW) PI : Power Input(kW)(Comp. + Outdoor fan motor)
2. Capacity tables show the average value of conditions which may occur.
3. ■■■ is shown as reference. When selecting the outdoor units, avoid the outdoor air temperature range shown by ■■■ .

7. Capacity Tables

ARUB400LTE4

Heating Capacity(40HP)

Combination (%)	Outdoor air temp		Indoor air temp. °C DB											
			16		18		20		21		22		24	
	°C DB	°C WB	TC	PI	TC	PI	TC	PI	TC	PI	TC	PI	TC	PI
130	-24.8	-25	79.0	42.8	79.0	42.96	78.4	43.08	78.4	43.26	78.4	43.44	77.0	43.70
	-21.8	-22	96.0	43.10	96.0	43.24	95.4	43.36	95.4	43.54	95.4	43.70	93.6	43.98
	-19.8	-20	101.4	43.28	101.4	43.42	100.6	43.54	100.6	43.72	100.6	43.88	98.8	44.16
	-18.8	-19	103.4	43.36	103.4	43.50	102.8	43.62	102.8	43.80	102.8	43.98	100.8	44.26
	-16.7	-17	108.0	43.56	108.0	43.70	107.4	43.82	107.4	44.00	107.4	44.18	105.4	44.44
	-13.7	-15	114.6	43.84	114.6	43.98	114.0	44.10	114.0	44.28	114.0	44.44	111.8	42.84
	-11.8	-13	118.4	44.00	118.4	44.14	117.6	44.26	117.6	44.44	117.6	44.62	115.8	41.80
	-9.8	-11	122.2	44.20	122.2	44.32	121.6	44.44	121.6	43.30	121.6	42.22	120.0	40.74
	-9.5	-10	123.0	44.22	123.0	44.36	122.2	44.28	122.2	43.12	122.2	42.06	120.6	40.58
	-8.5	-9.1	125.4	44.32	125.4	44.44	124.6	43.70	124.6	42.56	124.0	41.48	122.8	40.04
	-7.0	-7.6	129.0	44.44	129.0	43.60	128.2	42.82	128.2	41.70	128.2	40.64	126.0	39.22
	-5.0	-5.6	133.6	43.38	133.6	42.48	132.8	41.66	132.8	40.54	132.8	39.50	130.2	38.14
	-3.0	-3.7	138.4	42.30	138.4	41.34	137.6	40.50	137.6	39.40	137.6	38.36	134.4	37.08
	0.0	-0.7	145.4	40.68	145.4	39.66	144.6	38.74	144.6	37.68	144.6	36.66	140.8	35.46
	3.0	2.2	152.6	39.06	152.6	37.96	151.6	37.00	151.6	35.96	151.6	34.94	142.2	33.84
	5.0	4.1	157.4	37.98	157.4	36.84	156.4	35.84	156.4	34.82	152.8	33.80	142.2	32.76
	7.0	6	162.0	36.90	162.0	35.72	161.0	34.68	158.4	33.66	152.8	32.66	142.2	31.68
	9.0	7.9	162.8	36.02	162.8	34.86	162.4	33.86	158.4	32.86	152.8	31.88	142.2	30.94
11.0	9.8	162.8	35.46	162.8	34.32	162.4	33.32	158.4	32.36	152.8	31.40	142.2	30.44	
13.0	11.8	162.8	34.86	162.8	33.72	162.4	32.74	158.4	31.80	152.8	30.86	142.2	29.92	
15.0	13.7	162.8	34.20	162.8	33.10	162.4	32.12	158.4	31.20	152.8	30.26	142.2	29.36	
120	-24.8	-25	78.4	42.96	78.4	43.08	77.8	43.26	77.8	43.44	77.8	43.70	76.4	43.90
	-21.8	-22	95.4	43.24	95.4	43.36	94.8	43.54	94.8	43.70	94.8	43.98	93.0	44.18
	-19.8	-20	100.6	43.42	100.6	43.54	100.0	43.72	100.0	43.88	100.0	44.16	98.0	44.36
	-18.8	-19	102.8	43.50	102.8	43.62	102.2	43.80	102.2	43.98	102.2	44.26	100.2	44.44
	-16.7	-17	107.4	43.70	107.4	43.82	106.6	44.00	106.6	44.18	106.6	44.44	104.6	43.40
	-13.7	-15	113.8	43.98	113.8	44.10	113.2	44.28	113.2	44.44	113.2	42.90	111.0	41.92
	-11.8	-13	117.6	44.14	117.6	44.26	116.8	44.44	116.8	43.36	116.8	41.92	115.0	40.98
	-9.8	-11	121.4	44.32	121.4	44.44	120.6	43.26	120.6	42.20	120.6	40.90	119.2	40.00
	-9.5	-10	122.2	44.36	122.2	44.26	121.4	43.08	121.4	42.04	121.4	40.74	119.8	39.84
	-8.5	-9.1	124.4	44.44	124.4	43.62	123.8	42.48	123.8	41.46	123.8	40.22	122.0	39.34
	-7.0	-7.6	128.0	43.52	128.0	42.68	127.2	41.58	127.2	40.60	127.2	39.46	125.0	38.60
	-5.0	-5.6	132.8	42.28	132.8	41.42	131.8	40.38	131.8	39.46	131.8	38.42	129.4	37.62
	-3.0	-3.7	137.4	41.02	137.4	40.16	136.6	39.18	136.6	38.30	136.6	37.40	133.6	36.62
	0.0	-0.7	144.4	39.16	144.4	38.28	143.6	37.38	143.6	36.58	143.6	35.86	133.6	35.14
	3.0	2.2	151.6	37.30	151.6	36.38	150.6	35.60	148.4	34.86	143.8	34.32	133.6	33.66
	5.0	4.1	156.2	36.06	156.2	35.12	153.6	34.40	148.4	33.72	143.8	33.28	133.6	32.66
	7.0	6	161.0	34.80	159.8	33.86	153.6	33.20	148.4	32.56	143.8	32.26	133.6	31.68
	9.0	7.9	161.6	33.88	159.8	32.96	153.6	32.32	148.4	31.70	143.8	31.40	133.6	30.84
11.0	9.8	161.6	33.26	159.8	32.36	153.6	31.72	148.4	31.12	143.8	30.82	133.6	30.28	
13.0	11.8	161.6	32.60	159.8	31.72	153.6	31.08	148.4	30.50	143.8	30.20	133.6	29.66	
15.0	13.7	161.6	31.88	159.8	31.00	153.6	30.40	148.4	29.82	143.8	29.54	133.6	29.00	
110	-24.8	-25	78.0	43.08	78.0	43.26	77.4	43.44	77.4	43.70	77.4	43.90	76.0	44.00
	-21.8	-22	94.8	43.36	94.8	43.54	94.2	43.70	94.2	43.98	94.2	44.18	92.4	44.26
	-19.8	-20	100.0	43.54	100.0	43.72	99.4	43.88	99.4	44.16	99.4	44.36	97.4	44.44
	-18.8	-19	102.2	43.62	102.2	43.80	101.6	43.98	101.6	44.26	101.6	44.44	99.6	43.90
	-16.7	-17	106.8	43.82	106.8	44.00	106.0	44.18	106.0	44.44	106.0	43.32	104.0	42.74
	-13.7	-15	113.2	44.10	113.2	44.28	112.4	44.44	112.4	42.74	112.4	41.70	112.4	41.06
	-11.8	-13	116.8	44.26	116.8	44.44	116.2	43.24	116.2	41.66	116.2	40.68	116.2	40.02
	-9.8	-11	120.8	44.44	120.8	43.08	120.0	41.98	120.0	40.52	120.0	39.60	119.2	38.92
	-9.5	-10	121.4	44.22	121.4	42.88	120.8	41.78	120.8	40.34	120.8	39.44	120.2	38.74
	-8.5	-9.1	123.8	43.50	123.8	42.20	123.0	41.16	123.0	39.78	123.0	38.90	120.2	38.20
	-7.0	-7.6	127.4	42.40	127.4	41.18	126.6	40.20	126.6	38.92	126.6	38.10	120.2	37.36
	-5.0	-5.6	132.0	40.94	132.0	39.84	131.2	38.94	131.2	37.78	128.8	37.02	120.2	36.26
	-3.0	-3.7	136.6	39.48	136.6	38.48	135.8	37.66	133.2	36.64	128.8	35.94	120.2	35.14
	0.0	-0.7	143.6	37.28	143.6	36.44	137.8	35.76	133.2	34.94	128.8	34.32	120.2	33.48
	3.0	2.2	150.6	35.10	146.8	34.40	137.8	33.86	133.2	33.22	128.8	32.70	120.2	31.82
	5.0	4.1	155.4	33.64	146.8	33.04	137.8	32.60	133.2	32.08	128.8	31.62	120.2	30.72
	7.0	6	155.4	32.16	146.8	31.68	137.8	31.32	133.2	30.94	128.8	30.56	120.2	29.60
	9.0	7.9	155.4	31.18	146.8	30.70	137.8	30.36	133.2	30.00	128.8	29.60	120.2	28.70
11.0	9.8	155.4	30.46	146.8	30.00	137.8	29.66	133.2	29.30	128.8	28.92	120.2	28.02	
13.0	11.8	155.4	29.68	146.8	29.24	137.8	28.90	133.2	28.56	128.8	28.18	120.2	27.32	
15.0	13.7	155.4	28.86	146.8	28.42	137.8	28.10	133.2	27.76	128.8	27.40	120.2	26.56	

Notes:

1. TC: Total Capacity(kW) PI : Power Input(kW)(Comp. + Outdoor fan motor)
2. Capacity tables show the average value of conditions which may occur.
3. ■■■ is shown as reference. When selecting the outdoor units, avoid the outdoor air temperature range shown by ■■■ .

7. Capacity Tables

Heating Capacity(40HP)

Outdoor Units

Combination (%)	Outdoor air temp		Indoor air temp. °C DB											
			16		18		20		21		22		24	
	°C DB	°C WB	TC	PI	TC	PI	TC	PI	TC	PI	TC	PI	TC	PI
100	-24.8	-25	77.6	47.12	77.6	46.76	77.2	43.08	77.2	45.88	77.2	45.52	75.6	45.34
	-21.8	-22	94.4	46.58	94.4	46.22	93.8	44.44	93.8	45.36	93.8	45.54	92.0	44.80
	-19.8	-20	99.6	46.22	99.6	45.88	99.0	45.26	99.0	45.00	99.0	44.82	97.0	44.44
	-18.8	-19	101.8	46.04	101.2	45.70	101.2	45.36	101.2	44.82	101.2	44.44	99.2	43.76
	-16.7	-17	105.6	45.68	105.6	45.32	105.6	45.54	105.0	44.44	105.0	43.04	103.0	42.32
	-13.7	-15	112.6	45.14	112.6	44.78	112.0	44.44	112.0	42.42	112.0	41.02	109.8	40.26
	-11.8	-13	116.2	44.80	115.6	44.44	115.6	43.08	115.6	41.12	115.6	39.74	109.8	38.96
	-9.8	-11	120.2	44.44	120.2	42.92	119.6	41.66	119.6	39.76	118.0	38.40	109.8	37.60
	-9.5	-10	120.8	44.20	120.8	42.70	120.2	41.44	120.2	39.56	118.0	38.20	109.8	37.40
	-8.5	-9.1	123.2	43.42	123.2	41.94	122.6	40.72	122.0	38.88	118.0	37.54	109.8	36.70
	-7.0	-7.6	128.8	42.22	128.2	40.80	126.0	39.66	122.0	37.86	118.0	36.52	109.8	35.68
	-5.0	-5.6	134.4	40.64	133.0	39.28	126.0	38.22	122.0	36.50	118.0	35.18	109.8	34.32
	-3.0	-3.7	138.2	39.06	134.0	37.76	126.0	36.80	122.0	35.14	118.0	33.84	109.8	32.94
	0.0	-0.7	142.2	36.68	134.0	35.48	126.0	34.64	122.0	33.10	118.0	31.82	109.8	30.88
	3.0	2.2	142.2	34.32	134.0	33.20	126.0	32.50	122.0	31.08	118.0	29.82	109.8	28.84
	5.0	4.1	142.2	32.72	134.0	31.68	126.0	31.08	122.0	29.72	118.0	28.48	109.8	27.46
	7.0	6	142.2	31.14	134.0	30.16	126.0	29.64	122.0	28.36	118.0	27.14	109.8	26.10
9.0	7.9	142.2	30.06	134.0	29.10	126.0	28.60	122.0	27.36	118.0	26.18	109.8	25.18	
11.0	9.8	142.2	29.22	134.0	28.30	126.0	27.80	122.0	26.60	118.0	25.46	109.8	24.48	
13.0	11.8	142.2	28.32	134.0	27.44	126.0	26.96	122.0	25.80	118.0	24.68	109.8	23.74	
15.0	13.7	142.2	27.38	134.0	26.52	126.0	26.06	122.0	24.92	118.0	23.86	109.8	22.94	
90	-24.8	-25	77.4	42.16	77.4	42.44	76.8	42.64	76.8	42.72	76.8	42.90	75.4	43.18
	-21.8	-22	94.0	42.44	94.0	42.72	93.4	42.90	93.4	43.00	93.4	43.18	91.6	41.34
	-19.8	-20	99.2	42.62	99.2	42.90	98.6	43.10	98.6	43.18	98.6	41.94	96.8	40.12
	-18.8	-19	101.8	42.72	101.2	42.98	100.8	43.18	100.8	42.54	100.8	41.30	98.8	39.52
	-16.7	-17	105.6	42.90	105.6	43.18	105.2	41.86	105.2	41.18	105.2	39.98	100.4	38.22
	-13.7	-15	112.6	43.18	112.6	41.20	111.6	39.96	111.6	39.26	108.2	38.12	100.4	36.38
	-11.8	-13	116.2	41.84	115.6	39.96	115.2	38.74	111.8	38.04	108.2	36.92	100.4	35.22
	-9.8	-11	120.2	40.40	120.2	38.64	115.2	37.48	111.8	36.74	108.2	35.68	100.4	34.00
	-9.5	-10	120.8	40.20	120.8	38.44	115.2	37.30	111.8	36.56	108.2	35.48	100.4	33.82
	-8.5	-9.1	123.2	39.48	122.2	37.78	115.2	36.66	111.8	35.90	108.2	34.86	100.4	33.20
	-7.0	-7.6	128.8	38.42	122.4	36.80	115.2	35.70	111.8	34.94	108.2	33.92	100.4	32.28
	-5.0	-5.6	130.2	37.00	122.4	35.48	115.2	34.44	111.8	33.66	108.2	32.66	100.4	31.06
	-3.0	-3.7	130.2	35.58	122.4	34.16	115.2	33.18	111.8	32.36	108.2	31.42	100.4	29.84
	0.0	-0.7	130.2	33.44	122.4	32.20	115.2	31.28	111.8	30.44	108.2	29.54	100.4	28.00
	3.0	2.2	130.2	31.30	122.4	30.22	115.2	29.38	111.8	28.50	108.2	27.66	100.4	26.18
	5.0	4.1	130.2	29.88	122.4	28.90	115.2	28.10	111.8	27.22	108.2	26.40	100.4	24.94
	7.0	6	130.2	28.46	122.4	27.58	115.2	26.84	111.8	25.92	108.2	25.16	100.4	23.72
9.0	7.9	130.2	27.12	122.4	26.28	115.2	25.58	111.8	24.70	108.2	23.96	100.4	22.60	
11.0	9.8	130.2	25.78	122.4	24.98	115.2	24.30	111.8	23.48	108.2	22.78	100.4	21.48	
13.0	11.8	130.2	24.44	122.4	23.68	115.2	23.04	111.8	22.26	108.2	21.60	100.4	20.36	
15.0	13.7	130.2	23.08	122.4	22.38	115.2	21.78	111.8	21.04	108.2	20.40	100.4	19.24	
80	-24.8	-25	77.0	37.28	77.0	37.54	76.6	37.74	76.6	37.84	76.6	38.30	75.0	36.68
	-21.8	-22	93.0	37.54	93.0	37.82	93.0	38.02	93.0	38.30	93.0	36.68	89.8	35.12
	-19.8	-20	98.2	37.74	98.2	38.00	98.2	38.30	98.2	37.16	96.4	35.60	89.8	34.08
	-18.8	-19	100.4	37.82	100.4	38.30	100.4	37.72	100.0	36.58	96.4	35.06	89.8	33.56
	-16.7	-17	103.2	38.30	103.2	37.08	103.2	36.50	100.0	35.38	96.4	33.92	89.8	32.48
	-13.7	-15	103.2	36.52	103.2	35.38	103.2	34.78	100.0	33.68	96.4	32.32	89.8	30.92
	-11.8	-13	105.8	35.38	103.2	34.28	103.2	33.68	100.0	32.60	96.4	31.30	89.8	29.94
	-9.8	-11	110.4	34.20	107.2	33.14	103.2	32.52	100.0	31.46	96.4	30.22	89.8	28.92
	-9.5	-10	111.0	34.02	107.8	32.98	103.2	32.36	100.0	31.28	96.4	30.06	89.8	28.76
	-8.5	-9.1	113.2	33.42	109.8	32.40	103.2	31.78	100.0	30.72	96.4	29.52	89.8	28.24
	-7.0	-7.6	116.6	32.54	109.8	31.54	103.2	30.92	100.0	29.86	96.4	28.70	89.8	27.46
	-5.0	-5.6	116.6	31.36	109.8	30.40	103.2	29.76	100.0	28.72	96.4	27.64	89.8	26.42
	-3.0	-3.7	116.6	30.16	109.8	29.26	103.2	28.60	100.0	27.58	96.4	26.56	89.8	25.40
	0.0	-0.7	116.6	28.40	109.8	27.54	103.2	26.88	100.0	25.88	96.4	24.94	89.8	23.84
	3.0	2.2	116.6	26.62	109.8	25.82	103.2	25.14	100.0	24.16	96.4	23.32	89.8	22.28
	5.0	4.1	116.6	25.42	109.8	24.68	103.2	24.00	100.0	23.04	96.4	22.24	89.8	21.26
	7.0	6	116.6	24.24	109.8	23.54	103.2	22.84	100.0	21.90	96.4	21.18	89.8	20.22
9.0	7.9	116.6	22.76	109.8	22.10	103.2	21.44	100.0	20.56	96.4	19.88	89.8	18.98	
11.0	9.8	116.6	21.12	109.8	20.52	103.2	19.90	100.0	19.08	96.4	18.46	89.8	17.62	
13.0	11.8	116.6	19.72	109.8	19.14	103.2	18.58	100.0	17.80	96.4	17.22	89.8	16.44	
15.0	13.7	116.6	18.56	109.8	18.02	103.2	17.50	100.0	16.76	96.4	16.22	89.8	15.48	

Notes:

1. TC: Total Capacity(kW) PI : Power Input(kW)(Comp. + Outdoor fan motor)
2. Capacity tables show the average value of conditions which may occur.
3. ■■■ is shown as reference. When selecting the outdoor units, avoid the outdoor air temperature range shown by ■■■ .

7. Capacity Tables

Heating Capacity(40HP)

Combination (%)	Outdoor air temp		Indoor air temp. °C DB											
			16		18		20		21		22		24	
	°C DB	°C WB	TC	PI	TC	PI	TC	PI	TC	PI	TC	PI	TC	PI
70	-24.8	-25	77.0	36.84	77.0	36.94	76.6	37.12	76.6	37.40	76.6	35.64	75.0	33.98
	-21.8	-22	88.4	37.12	88.4	37.22	87.8	37.40	84.8	35.64	82.2	33.98	76.8	32.38
	-19.8	-20	96.0	37.30	93.4	37.40	87.8	36.16	84.8	34.46	82.2	32.88	76.8	31.32
	-18.8	-19	98.8	37.40	93.4	36.76	87.8	35.54	84.8	33.86	82.2	32.32	76.8	30.78
	-16.7	-17	98.8	36.06	93.4	35.42	87.8	34.24	84.8	32.64	82.2	31.18	76.8	29.66
	-13.7	-15	98.8	34.18	93.4	33.50	87.8	32.38	84.8	30.86	82.2	29.52	76.8	28.06
	-11.8	-13	98.8	32.98	93.4	32.28	87.8	31.20	84.8	29.74	82.2	28.48	76.8	27.06
	-9.8	-11	98.8	31.72	93.4	31.00	87.8	29.98	84.8	28.58	82.2	27.38	76.8	26.00
	-9.5	-10	98.8	31.52	93.4	30.80	87.8	29.78	84.8	28.40	82.2	27.22	76.8	25.84
	-8.5	-9.1	98.8	30.90	93.4	30.16	87.8	29.16	84.8	27.80	82.2	26.66	76.8	25.30
	-7.0	-7.6	98.8	29.94	93.4	29.22	87.8	28.24	84.8	26.92	82.2	25.84	76.8	24.50
	-5.0	-5.6	98.8	28.68	93.4	27.94	87.8	27.00	84.8	25.76	82.2	24.74	76.8	23.44
	-3.0	-3.7	98.8	27.42	93.4	26.66	87.8	25.76	84.8	24.58	82.2	23.64	76.8	22.38
	0.0	-0.7	98.8	25.52	93.4	24.74	87.8	23.92	84.8	22.82	82.2	21.98	76.8	20.78
	3.0	2.2	98.8	23.64	93.4	22.82	87.8	22.06	84.8	21.04	82.2	20.34	76.8	19.18
	5.0	4.1	98.8	22.38	93.4	21.54	87.8	20.82	84.8	19.88	82.2	19.24	76.8	18.12
	7.0	6	98.8	21.10	93.4	20.26	87.8	19.58	84.8	18.70	82.2	18.14	76.8	17.04
	9.0	7.9	98.8	19.06	93.4	18.30	87.8	17.68	84.8	16.88	82.2	16.38	76.8	15.40
11.0	9.8	98.8	17.74	93.4	17.04	87.8	16.46	84.8	15.72	82.2	15.24	76.8	14.34	
13.0	11.8	98.8	16.60	93.4	15.94	87.8	15.40	84.8	14.70	82.2	14.26	76.8	13.40	
15.0	13.7	98.8	15.66	93.4	15.02	87.8	14.52	84.8	13.86	82.2	13.44	76.8	12.64	
60	-24.8	-25	75.8	36.52	75.8	36.72	75.2	36.98	72.8	35.08	70.2	33.28	65.8	31.60
	-21.8	-22	81.2	36.80	80.2	36.98	75.2	35.08	72.8	33.28	70.2	31.60	65.8	29.96
	-19.8	-20	84.8	36.98	80.2	35.64	75.2	33.80	72.8	32.08	70.2	30.48	65.8	28.88
	-18.8	-19	84.8	36.30	80.2	34.96	75.2	33.16	72.8	31.48	70.2	29.90	65.8	28.34
	-16.7	-17	84.8	34.88	80.2	33.54	75.2	31.82	72.8	30.24	70.2	28.72	65.8	27.20
	-13.7	-15	84.8	32.82	80.2	31.52	75.2	29.92	72.8	28.44	70.2	27.04	65.8	25.56
	-11.8	-13	84.8	31.54	80.2	30.24	75.2	28.70	72.8	27.30	70.2	25.98	65.8	24.54
	-9.8	-11	84.8	30.18	80.2	28.88	75.2	27.42	72.8	26.10	70.2	24.86	65.8	23.46
	-9.5	-10	84.8	29.96	80.2	28.68	75.2	27.24	72.8	25.92	70.2	24.68	65.8	23.30
	-8.5	-9.1	84.8	29.28	80.2	28.00	75.2	26.60	72.8	25.34	70.2	24.12	65.8	22.74
	-7.0	-7.6	84.8	28.26	80.2	27.00	75.2	25.64	72.8	24.44	70.2	23.28	65.8	21.94
	-5.0	-5.6	84.8	26.90	80.2	25.64	75.2	24.36	72.8	23.24	70.2	22.16	65.8	20.84
	-3.0	-3.7	84.8	25.54	80.2	24.30	75.2	23.10	72.8	22.04	70.2	21.04	65.8	19.76
	0.0	-0.7	84.8	23.50	80.2	22.26	75.2	21.18	72.8	20.26	70.2	19.34	65.8	18.14
	3.0	2.2	84.8	21.44	80.2	20.24	75.2	19.26	72.8	18.46	70.2	17.66	65.8	16.50
	5.0	4.1	84.8	20.08	80.2	18.88	75.2	18.00	72.8	17.26	70.2	16.54	65.8	15.42
	7.0	6	84.8	18.72	80.2	17.54	75.2	16.72	72.8	16.06	70.2	15.42	65.8	14.34
	9.0	7.9	84.8	16.70	80.2	15.64	75.2	14.92	72.8	14.34	70.2	13.76	65.8	12.80
11.0	9.8	84.8	15.60	80.2	14.62	75.2	13.94	72.8	13.38	70.2	12.84	65.8	11.94	
13.0	11.8	84.8	14.62	80.2	13.68	75.2	13.04	72.8	12.54	70.2	12.04	65.8	11.18	
15.0	13.7	84.8	13.82	80.2	12.94	75.2	12.34	72.8	11.86	70.2	11.38	65.8	10.58	
50	-24.8	-25	70.8	31.52	66.8	31.78	62.8	30.12	60.8	28.56	58.6	27.10	54.6	25.72
	-21.8	-22	70.8	31.78	66.8	30.12	62.8	28.56	60.8	27.10	58.6	25.72	54.6	24.40
	-19.8	-20	70.8	30.62	66.8	29.02	62.8	27.52	60.8	26.10	58.6	24.80	54.6	23.52
	-18.8	-19	70.8	30.04	66.8	28.46	62.8	27.00	60.8	25.62	58.6	24.34	54.6	23.08
	-16.7	-17	70.8	28.84	66.8	27.30	62.8	25.92	60.8	24.58	58.6	23.38	54.6	22.14
	-13.7	-15	70.8	27.10	66.8	25.62	62.8	24.36	60.8	23.12	58.6	22.02	54.6	20.82
	-11.8	-13	70.8	26.00	66.8	24.58	62.8	23.38	60.8	22.18	58.6	21.14	54.6	19.98
	-9.8	-11	70.8	24.84	66.8	23.46	62.8	22.34	60.8	21.20	58.6	20.22	54.6	19.10
	-9.5	-10	70.8	24.66	66.8	23.30	62.8	22.18	60.8	21.04	58.6	20.10	54.6	18.98
	-8.5	-9.1	70.8	24.08	66.8	22.74	62.8	21.66	60.8	20.56	58.6	19.64	54.6	18.54
	-7.0	-7.6	70.8	23.22	66.8	21.92	62.8	20.88	60.8	19.82	58.6	18.94	54.6	17.88
	-5.0	-5.6	70.8	22.06	66.8	20.80	62.8	19.84	60.8	18.84	58.6	18.04	54.6	16.98
	-3.0	-3.7	70.8	20.90	66.8	19.70	62.8	18.82	60.8	17.86	58.6	17.12	54.6	16.10
	0.0	-0.7	70.8	19.16	66.8	18.02	62.8	17.26	60.8	16.38	58.6	15.74	54.6	14.78
	3.0	2.2	70.8	17.42	66.8	16.36	62.8	15.70	60.8	14.90	58.6	14.38	54.6	13.46
	5.0	4.1	70.8	16.26	66.8	15.26	62.8	14.66	60.8	13.92	58.6	13.46	54.6	12.58
	7.0	6	70.8	15.10	66.8	14.14	62.8	13.62	60.8	12.94	58.6	12.54	54.6	11.70
	9.0	7.9	70.8	13.64	66.8	12.78	62.8	12.30	60.8	11.68	58.6	11.32	54.6	10.56
11.0	9.8	70.8	12.76	66.8	11.94	62.8	11.50	60.8	10.94	58.6	10.60	54.6	9.88	
13.0	11.8	70.8	11.98	66.8	11.22	62.8	10.80	60.8	10.26	58.6	9.94	54.6	9.28	
15.0	13.7	70.8	11.34	66.8	10.62	62.8	10.22	60.8	9.72	58.6	9.42	54.6	8.78	

Notes:

1. TC: Total Capacity(kW) PI : Power Input(kW)(Comp. + Outdoor fan motor)
2. Capacity tables show the average value of conditions which may occur.
3. ■■■ is shown as reference. When selecting the outdoor units, avoid the outdoor air temperature range shown by ■■■ .

7. Capacity Tables

ARUB420LTE4

Heating Capacity(42HP)

Outdoor Units

Combination (%)	Outdoor air temp		Indoor air temp. °C DB											
			16		18		20		21		22		24	
	°C DB	°C WB	TC	PI	TC	PI	TC	PI	TC	PI	TC	PI	TC	PI
130	-24.8	-25	85.0	41.3	85.0	41.60	84.4	41.91	84.4	42.37	84.4	42.82	82.6	43.53
	-21.8	-22	102.2	41.96	102.2	42.31	101.5	42.62	101.5	43.08	101.5	43.53	99.5	44.23
	-19.8	-20	107.3	42.42	107.3	42.77	106.6	43.08	106.6	43.55	106.6	44.00	104.4	44.71
	-18.8	-19	109.5	42.65	109.5	43.00	108.8	43.31	108.8	43.78	108.8	44.23	106.5	44.93
	-16.7	-17	114.1	43.14	114.1	43.50	113.2	43.80	113.2	44.28	113.2	44.72	110.9	45.43
	-13.7	-15	120.5	43.85	120.5	44.21	119.8	44.51	119.8	44.98	119.8	45.43	117.3	43.49
	-11.8	-13	124.3	44.30	124.3	44.65	123.6	44.96	123.6	45.43	123.6	44.11	121.3	42.25
	-9.8	-11	128.3	44.77	128.3	45.12	127.5	45.43	127.5	44.00	127.5	42.70	125.5	40.95
	-9.5	-10	129.1	44.84	129.1	45.20	128.3	45.20	128.3	43.78	128.2	42.49	126.3	40.75
	-8.5	-9.1	131.6	45.07	131.6	45.43	130.8	44.45	130.8	43.06	130.1	41.80	128.3	40.11
	-7.0	-7.6	135.3	45.43	135.3	44.31	134.5	43.33	134.5	41.98	134.5	40.76	131.5	39.14
	-5.0	-5.6	140.4	43.94	140.4	42.82	139.5	41.84	139.5	40.55	139.5	39.37	135.7	37.84
	-3.0	-3.7	145.4	42.46	145.4	41.33	144.4	40.37	144.4	39.11	144.4	37.96	140.0	36.55
	0.0	-0.7	152.9	40.21	152.9	39.09	152.0	38.13	152.0	36.96	152.0	35.88	146.0	34.59
	3.0	2.2	160.5	37.99	160.5	36.87	159.4	35.89	159.4	34.81	159.4	33.78	149.0	32.66
	5.0	4.1	165.4	36.51	165.4	35.37	164.5	34.40	164.5	33.38	160.5	32.38	149.4	31.36
	7.0	6	170.5	35.02	170.5	33.89	169.4	32.91	166.2	31.94	160.5	30.99	149.4	30.07
	9.0	7.9	171.0	33.76	171.0	32.68	170.5	31.72	166.2	30.80	160.5	29.88	149.4	28.98
11.0	9.8	171.0	32.80	171.0	31.73	170.5	30.81	166.2	29.92	160.5	29.02	149.4	28.15	
13.0	11.8	171.0	31.76	171.0	30.74	170.5	29.84	166.2	28.98	160.5	28.12	149.4	27.28	
15.0	13.7	171.0	30.67	171.0	29.68	170.5	28.82	166.2	27.98	160.5	27.15	149.4	26.33	
120	-24.8	-25	84.3	41.60	84.3	41.91	83.9	42.37	83.9	42.82	83.9	43.53	82.1	44.02
	-21.8	-22	101.5	42.31	101.5	42.62	100.8	43.08	100.8	43.53	100.8	44.23	98.8	44.72
	-19.8	-20	106.4	42.77	106.4	43.08	105.8	43.55	105.8	44.00	105.8	44.71	103.6	45.20
	-18.8	-19	108.7	43.00	108.7	43.31	107.9	43.78	107.9	44.23	107.9	44.93	105.7	45.43
	-16.7	-17	113.2	43.50	113.2	43.80	112.5	44.28	112.5	44.72	112.5	45.43	110.1	44.18
	-13.7	-15	119.6	44.21	119.6	44.51	119.0	44.98	119.0	45.43	119.0	43.55	116.4	42.39
	-11.8	-13	123.5	44.65	123.5	44.96	122.7	45.43	122.7	44.09	122.7	42.36	120.5	41.26
	-9.8	-11	127.4	45.12	127.4	45.43	126.6	43.94	126.6	42.69	126.6	41.11	124.6	40.07
	-9.5	-10	128.2	45.20	128.2	45.19	127.4	43.72	127.4	42.47	127.4	40.92	125.3	39.89
	-8.5	-9.1	130.7	45.43	130.7	44.40	129.9	42.98	129.9	41.77	129.6	40.30	127.5	39.29
	-7.0	-7.6	134.4	44.22	134.4	43.22	133.5	41.87	133.5	40.72	132.7	39.35	130.6	38.40
	-5.0	-5.6	139.3	42.62	139.3	41.63	138.5	40.38	138.5	39.32	138.5	38.11	134.8	37.20
	-3.0	-3.7	144.4	41.03	144.4	40.04	143.5	38.91	143.5	37.92	143.5	36.86	138.4	36.02
	0.0	-0.7	151.8	38.62	151.8	37.67	150.9	36.69	150.9	35.81	150.7	34.99	140.3	34.22
	3.0	2.2	159.3	36.23	159.3	35.30	158.2	34.46	155.9	33.70	150.8	33.10	140.3	32.43
	5.0	4.1	164.3	34.62	164.3	33.71	161.2	32.98	155.9	32.29	151.0	31.85	140.3	31.25
	7.0	6	169.2	33.02	167.8	32.13	161.2	31.50	155.9	30.89	151.0	30.60	140.3	30.05
	9.0	7.9	169.6	31.79	167.8	30.91	161.2	30.30	155.9	29.73	151.0	29.45	140.3	28.92
11.0	9.8	169.6	30.81	167.8	29.98	161.2	29.39	155.9	28.82	151.0	28.55	140.3	28.04	
13.0	11.8	169.6	29.78	167.8	28.97	161.2	28.40	155.9	27.85	151.0	27.60	140.3	27.10	
15.0	13.7	169.6	28.69	167.8	27.90	161.2	27.35	155.9	26.82	151.0	26.59	140.3	26.10	
110	-24.8	-25	83.9	41.91	83.9	42.37	83.4	42.82	83.4	43.53	83.4	44.02	81.7	44.25
	-21.8	-22	100.9	42.62	100.9	43.08	100.3	43.53	100.3	44.23	100.3	44.72	98.3	44.96
	-19.8	-20	106.0	43.08	106.0	43.55	105.2	44.00	105.2	44.71	105.2	45.20	103.1	45.43
	-18.8	-19	108.1	43.31	108.1	43.78	107.4	44.23	107.4	44.93	107.4	45.43	105.2	44.79
	-16.7	-17	112.6	43.80	112.6	44.28	111.9	44.72	111.9	45.43	111.9	44.09	109.5	43.42
	-13.7	-15	119.0	44.51	119.0	44.98	118.3	45.43	118.3	43.40	118.3	42.18	118.3	41.48
	-11.8	-13	122.8	44.96	122.8	45.43	122.0	43.98	122.0	42.11	122.0	40.97	122.0	40.25
	-9.8	-11	126.7	45.43	126.7	43.79	126.0	42.47	126.0	40.75	126.0	39.68	124.7	38.96
	-9.5	-10	127.4	45.15	127.4	43.55	126.7	42.25	126.7	40.55	126.7	39.50	126.0	38.76
	-8.5	-9.1	129.9	44.27	129.9	42.73	129.2	41.48	129.2	39.87	129.2	38.86	126.3	38.12
	-7.0	-7.6	133.7	42.94	133.7	41.51	132.8	40.34	132.8	38.85	132.8	37.91	126.3	37.15
	-5.0	-5.6	138.6	41.17	138.6	39.87	137.7	38.82	137.7	37.50	135.2	36.63	126.3	35.85
	-3.0	-3.7	143.5	39.40	143.5	38.23	142.7	37.31	139.9	36.13	135.2	35.36	126.3	34.56
	0.0	-0.7	151.0	36.72	151.0	35.79	144.6	35.03	139.9	34.11	135.2	33.45	126.3	32.62
	3.0	2.2	158.4	34.07	154.2	33.33	144.6	32.76	139.9	32.07	135.2	31.53	126.3	30.67
	5.0	4.1	163.0	32.29	154.2	31.70	144.6	31.24	139.9	30.71	135.2	30.27	126.3	29.38
	7.0	6	163.1	30.52	154.2	30.06	144.6	29.72	139.9	29.37	135.2	28.98	126.3	28.09
	9.0	7.9	163.1	29.25	154.2	28.81	144.6	28.49	139.9	28.14	135.2	27.78	126.3	26.93
11.0	9.8	163.1	28.22	154.2	27.80	144.6	27.49	139.9	27.16	135.2	26.81	126.3	25.98	
13.0	11.8	163.1	27.14	154.2	26.73	144.6	26.42	139.9	26.10	135.2	25.77	126.3	24.97	
15.0	13.7	163.1	25.99	154.2	25.59	144.6	25.31	139.9	25.01	135.2	24.69	126.3	23.93	

Notes:

1. TC: Total Capacity(kW) PI : Power Input(kW)(Comp. + Outdoor fan motor)
2. Capacity tables show the average value of conditions which may occur.
3. ■■■ is shown as reference. When selecting the outdoor units, avoid the outdoor air temperature range shown by ■■■ .

7. Capacity Tables

Heating Capacity(42HP)

Combination (%)	Outdoor air temp		Indoor air temp. °C DB											
			16		18		20		21		22		24	
	°C DB	°C WB	TC	PI	TC	PI	TC	PI	TC	PI	TC	PI	TC	PI
100	-24.8	-25	83.5	44.36	83.5	44.50	83.0	42.63	83.0	44.85	83.0	45.00	81.3	45.07
	-21.8	-22	100.5	44.57	100.5	44.71	99.9	43.98	99.9	45.07	99.9	45.56	97.9	45.29
	-19.8	-20	105.5	44.71	105.5	44.85	104.8	44.83	104.8	45.20	104.8	45.47	102.7	45.43
	-18.8	-19	107.6	44.78	106.9	44.92	106.9	45.07	106.9	45.27	106.9	45.43	104.7	44.66
	-16.7	-17	111.4	44.94	111.4	45.07	111.4	45.56	110.8	45.43	110.8	43.83	108.5	43.04
	-13.7	-15	118.4	45.14	118.4	45.29	117.8	45.43	117.8	43.08	117.8	41.53	115.4	40.72
	-11.8	-13	122.1	45.29	121.5	45.43	121.5	43.84	121.5	41.59	121.5	40.09	115.4	39.26
	-9.8	-11	126.1	45.43	126.1	43.64	125.4	42.17	125.4	40.03	123.9	38.56	115.4	37.71
	-9.5	-10	126.8	45.15	126.8	43.37	126.2	41.92	126.2	39.81	123.9	38.33	115.4	37.48
	-8.5	-9.1	129.3	44.20	129.3	42.48	128.6	41.07	128.1	39.02	123.9	37.57	115.4	36.71
	-7.0	-7.6	135.2	42.78	134.6	41.14	132.3	39.83	128.1	37.84	123.9	36.42	115.4	35.55
	-5.0	-5.6	141.1	40.89	139.8	39.34	132.3	38.16	128.1	36.28	123.9	34.90	115.4	34.01
	-3.0	-3.7	145.2	39.00	140.7	37.56	132.3	36.49	128.1	34.71	123.9	33.37	115.4	32.47
	0.0	-0.7	149.2	36.16	140.7	34.87	132.3	33.97	128.1	32.37	123.9	31.08	115.4	30.15
	3.0	2.2	149.2	33.32	140.7	32.19	132.3	31.47	128.1	30.03	123.9	28.79	115.4	27.84
	5.0	4.1	149.2	31.44	140.7	30.41	132.3	29.79	128.1	28.47	123.9	27.26	115.4	26.29
	7.0	6	149.2	29.55	140.7	28.62	132.3	28.12	128.1	26.91	123.9	25.74	115.4	24.76
	9.0	7.9	149.2	27.86	140.7	26.99	132.3	26.52	128.1	25.38	123.9	24.29	115.4	23.35
	11.0	9.8	149.2	26.41	140.7	25.58	132.3	25.13	128.1	24.04	123.9	23.01	115.4	22.12
	13.0	11.8	149.2	24.87	140.7	24.09	132.3	23.68	128.1	22.65	123.9	21.66	115.4	20.85
15.0	13.7	149.2	23.25	140.7	22.53	132.3	22.14	128.1	21.17	123.9	20.26	115.4	19.49	
90	-24.8	-25	83.2	40.58	83.2	41.30	82.7	41.79	82.7	42.01	82.7	42.48	81.0	43.19
	-21.8	-22	100.1	41.30	100.1	42.00	99.5	42.48	99.5	42.73	99.5	43.19	97.4	41.25
	-19.8	-20	105.1	41.76	105.1	42.47	104.4	42.96	104.4	43.19	104.4	41.85	102.3	39.94
	-18.8	-19	107.6	42.00	106.9	42.70	106.5	43.19	106.5	42.50	106.5	41.17	104.2	39.29
	-16.7	-17	111.4	42.48	111.4	43.19	110.9	41.74	110.9	41.04	110.9	39.77	105.4	37.92
	-13.7	-15	118.4	43.19	118.4	41.04	117.4	39.69	117.2	38.97	113.5	37.76	105.4	35.97
	-11.8	-13	122.1	41.71	121.5	39.67	120.9	38.38	117.3	37.64	113.5	36.48	105.4	34.74
	-9.8	-11	126.1	40.14	126.1	38.24	121.1	37.00	117.3	36.26	113.5	35.14	105.4	33.44
	-9.5	-10	126.8	39.91	126.8	38.03	121.1	36.80	117.3	36.05	113.5	34.94	105.4	33.23
	-8.5	-9.1	129.3	39.13	128.3	37.30	121.1	36.11	117.3	35.35	113.5	34.27	105.4	32.60
	-7.0	-7.6	135.2	37.95	128.6	36.22	121.1	35.08	117.3	34.31	113.5	33.26	105.4	31.61
	-5.0	-5.6	136.7	36.39	128.6	34.78	121.1	33.71	117.3	32.92	113.5	31.92	105.4	30.31
	-3.0	-3.7	136.7	34.83	128.6	33.35	121.1	32.33	117.3	31.53	113.5	30.58	105.4	29.01
	0.0	-0.7	136.7	32.48	128.6	31.19	121.1	30.27	117.3	29.45	113.5	28.56	105.4	27.07
	3.0	2.2	136.7	30.12	128.6	29.05	121.1	28.22	117.3	27.38	113.5	26.55	105.4	25.10
	5.0	4.1	136.7	28.57	128.6	27.60	121.1	26.84	117.3	25.98	113.5	25.21	105.4	23.81
	7.0	6	136.7	27.00	128.6	26.17	121.1	25.46	117.3	24.61	113.5	23.87	105.4	22.50
	9.0	7.9	136.7	25.55	128.6	24.76	121.1	24.09	117.3	23.27	113.5	22.57	105.4	21.29
	11.0	9.8	136.7	24.08	128.6	23.34	121.1	22.72	117.3	21.95	113.5	21.29	105.4	20.08
	13.0	11.8	136.7	22.63	128.6	21.93	121.1	21.35	117.3	20.61	113.5	20.01	105.4	18.86
15.0	13.7	136.7	21.18	128.6	20.52	121.1	19.97	117.3	19.30	113.5	18.71	105.4	17.65	
80	-24.8	-25	82.9	35.69	82.9	36.40	82.3	36.89	82.3	37.12	82.3	38.30	80.6	36.58
	-21.8	-22	99.1	36.40	99.1	37.09	99.1	37.60	99.1	38.30	99.1	36.58	94.2	34.93
	-19.8	-20	103.9	36.87	103.9	37.57	103.9	38.30	103.6	37.08	101.2	35.43	94.2	33.85
	-18.8	-19	106.0	37.09	106.0	38.30	106.0	37.67	104.8	36.46	101.2	34.87	94.2	33.30
	-16.7	-17	108.3	38.30	108.3	37.00	108.3	36.37	105.0	35.20	101.2	33.66	94.2	32.15
	-13.7	-15	108.3	36.36	108.3	35.14	108.3	34.51	105.0	33.37	101.2	31.94	94.2	30.51
	-11.8	-13	111.7	35.14	108.8	33.97	108.3	33.33	105.0	32.21	101.2	30.85	94.2	29.46
	-9.8	-11	116.2	33.84	112.8	32.73	108.3	32.10	105.0	30.99	101.2	29.71	94.2	28.38
	-9.5	-10	116.8	33.65	113.3	32.55	108.3	31.92	105.0	30.81	101.2	29.54	94.2	28.21
	-8.5	-9.1	119.1	33.00	115.3	31.92	108.3	31.29	105.0	30.20	101.2	28.96	94.2	27.67
	-7.0	-7.6	122.3	32.04	115.3	30.99	108.3	30.35	105.0	29.29	101.2	28.10	94.2	26.84
	-5.0	-5.6	122.3	30.74	115.3	29.75	108.3	29.12	105.0	28.07	101.2	26.96	94.2	25.75
	-3.0	-3.7	122.3	29.45	115.3	28.53	108.3	27.88	105.0	26.85	101.2	25.81	94.2	24.65
	0.0	-0.7	122.3	27.51	115.3	26.66	108.3	26.02	105.0	25.03	101.2	24.10	94.2	23.02
	3.0	2.2	122.3	25.58	115.3	24.80	108.3	24.15	105.0	23.21	101.2	22.37	94.2	21.37
	5.0	4.1	122.3	24.30	115.3	23.56	108.3	22.91	105.0	21.98	101.2	21.23	94.2	20.28
	7.0	6	122.3	23.00	115.3	22.32	108.3	21.67	105.0	20.77	101.2	20.09	94.2	19.18
	9.0	7.9	122.3	21.59	115.3	20.97	108.3	20.34	105.0	19.50	101.2	18.86	94.2	18.01
	11.0	9.8	122.3	20.04	115.3	19.45	108.3	18.89	105.0	18.10	101.2	17.50	94.2	16.71
	13.0	11.8	122.3	18.71	115.3	18.16	108.3	17.62	105.0	16.90	101.2	16.33	94.2	15.60
15.0	13.7	122.3	17.61	115.3	17.10	108.3	16.60	105.0	15.91	101.2	15.39	94.2	14.69	

Notes:

1. TC: Total Capacity(kW) PI : Power Input(kW)(Comp. + Outdoor fan motor)
2. Capacity tables show the average value of conditions which may occur.
3. ■■■ is shown as reference. When selecting the outdoor units, avoid the outdoor air temperature range shown by ■■■ .

7. Capacity Tables

Heating Capacity(42HP)

Outdoor Units

Combination (%)	Outdoor air temp		Indoor air temp. °C DB											
			16		18		20		21		22		24	
	°C DB	°C WB	TC	PI	TC	PI	TC	PI	TC	PI	TC	PI	TC	PI
70	-24.8	-25	82.9	36.00	82.9	36.22	82.3	36.71	82.3	37.40	82.3	35.55	79.7	33.82
	-21.8	-22	92.8	36.71	92.8	36.93	92.1	37.40	89.1	35.55	86.4	33.82	80.6	32.15
	-19.8	-20	99.4	37.17	98.0	37.40	92.1	36.10	89.1	34.31	86.4	32.66	80.6	31.04
	-18.8	-19	102.1	37.40	98.0	36.71	92.1	35.44	89.1	33.69	86.4	32.08	80.6	30.49
	-16.7	-17	103.8	35.98	98.0	35.30	92.1	34.07	89.1	32.40	86.4	30.88	80.6	29.32
	-13.7	-15	103.8	33.97	98.0	33.26	92.1	32.11	89.1	30.54	86.4	29.14	80.6	27.66
	-11.8	-13	103.8	32.68	98.0	31.97	92.1	30.86	89.1	29.36	86.4	28.05	80.6	26.61
	-9.8	-11	103.8	31.34	98.0	30.62	92.1	29.56	89.1	28.13	86.4	26.90	80.6	25.50
	-9.5	-10	103.8	31.14	98.0	30.42	92.1	29.36	89.1	27.93	86.4	26.72	80.6	25.32
	-8.5	-9.1	103.8	30.46	98.0	29.73	92.1	28.71	89.1	27.32	86.4	26.15	80.6	24.78
	-7.0	-7.6	103.8	29.46	98.0	28.73	92.1	27.73	89.1	26.39	86.4	25.27	80.6	23.94
	-5.0	-5.6	103.8	28.12	98.0	27.36	92.1	26.42	89.1	25.16	86.4	24.13	80.6	22.82
	-3.0	-3.7	103.8	26.76	98.0	26.01	92.1	25.12	89.1	23.93	86.4	22.97	80.6	21.72
	0.0	-0.7	103.8	24.74	98.0	23.97	92.1	23.16	89.1	22.07	86.4	21.24	80.6	20.05
	3.0	2.2	103.8	22.71	98.0	21.93	92.1	21.20	89.1	20.21	86.4	19.51	80.6	18.39
	5.0	4.1	103.8	21.37	98.0	20.58	92.1	19.88	89.1	18.97	86.4	18.35	80.6	17.28
	7.0	6	103.8	20.02	98.0	19.23	92.1	18.57	89.1	17.74	86.4	17.20	80.6	16.18
	9.0	7.9	103.8	18.08	98.0	17.36	92.1	16.77	89.1	16.02	86.4	15.54	80.6	14.60
11.0	9.8	103.8	16.83	98.0	16.16	92.1	15.63	89.1	14.91	86.4	14.47	80.6	13.59	
13.0	11.8	103.8	15.76	98.0	15.12	92.1	14.62	89.1	13.96	86.4	13.53	80.6	12.73	
15.0	13.7	103.8	14.85	98.0	14.25	92.1	13.78	89.1	13.15	86.4	12.76	80.6	11.99	
60	-24.8	-25	79.5	35.53	79.5	36.00	79.0	36.71	76.4	34.73	73.8	32.90	69.0	31.17
	-21.8	-22	85.2	36.22	84.3	36.71	79.0	34.73	76.4	32.90	73.8	31.17	69.0	29.52
	-19.8	-20	89.1	36.71	84.3	35.31	79.0	33.42	76.4	31.67	73.8	30.02	69.0	28.41
	-18.8	-19	89.1	35.99	84.3	34.61	79.0	32.76	76.4	31.06	73.8	29.44	69.0	27.85
	-16.7	-17	89.1	34.51	84.3	33.15	79.0	31.39	76.4	29.77	73.8	28.24	69.0	26.70
	-13.7	-15	89.1	32.39	84.3	31.05	79.0	29.43	76.4	27.93	73.8	26.51	69.0	25.03
	-11.8	-13	89.1	31.05	84.3	29.73	79.0	28.18	76.4	26.76	73.8	25.43	69.0	23.98
	-9.8	-11	89.1	29.64	84.3	28.35	79.0	26.86	76.4	25.54	73.8	24.27	69.0	22.88
	-9.5	-10	89.1	29.42	84.3	28.13	79.0	26.68	76.4	25.36	73.8	24.11	69.0	22.72
	-8.5	-9.1	89.1	28.71	84.3	27.44	79.0	26.01	76.4	24.75	73.8	23.53	69.0	22.16
	-7.0	-7.6	89.1	27.65	84.3	26.39	79.0	25.04	76.4	23.83	73.8	22.67	69.0	21.33
	-5.0	-5.6	89.1	26.25	84.3	25.00	79.0	23.73	76.4	22.60	73.8	21.52	69.0	20.24
	-3.0	-3.7	89.1	24.83	84.3	23.60	79.0	22.42	76.4	21.38	73.8	20.38	69.0	19.13
	0.0	-0.7	89.1	22.71	84.3	21.51	79.0	20.45	76.4	19.54	73.8	18.65	69.0	17.47
	3.0	2.2	89.1	20.59	84.3	19.43	79.0	18.48	76.4	17.69	73.8	16.92	69.0	15.81
	5.0	4.1	89.1	19.18	84.3	18.04	79.0	17.18	76.4	16.47	73.8	15.77	69.0	14.70
	7.0	6	89.1	17.76	84.3	16.64	79.0	15.87	76.4	15.25	73.8	14.62	69.0	13.60
	9.0	7.9	89.1	15.85	84.3	14.84	79.0	14.16	76.4	13.61	73.8	13.04	69.0	12.13
11.0	9.8	89.1	14.80	84.3	13.87	79.0	13.22	76.4	12.71	73.8	12.18	69.0	11.33	
13.0	11.8	89.1	13.87	84.3	12.99	79.0	12.38	76.4	11.90	73.8	11.42	69.0	10.62	
15.0	13.7	89.1	13.10	84.3	12.27	79.0	11.70	76.4	11.24	73.8	10.78	69.0	10.04	
50	-24.8	-25	74.3	31.09	70.1	31.79	65.8	30.07	63.7	28.45	61.6	26.91	57.4	25.51
	-21.8	-22	74.3	31.79	70.1	30.07	65.8	28.45	63.7	26.91	61.6	25.51	57.4	24.14
	-19.8	-20	74.3	30.58	70.1	28.90	65.8	27.37	63.7	25.90	61.6	24.56	57.4	23.24
	-18.8	-19	74.3	29.97	70.1	28.33	65.8	26.83	63.7	25.40	61.6	24.09	57.4	22.78
	-16.7	-17	74.3	28.70	70.1	27.11	65.8	25.69	63.7	24.33	61.6	23.09	57.4	21.83
	-13.7	-15	74.3	26.88	70.1	25.38	65.8	24.08	63.7	22.80	61.6	21.68	57.4	20.48
	-11.8	-13	74.3	25.73	70.1	24.28	65.8	23.06	63.7	21.84	61.6	20.78	57.4	19.61
	-9.8	-11	74.3	24.52	70.1	23.12	65.8	21.98	63.7	20.82	61.6	19.84	57.4	18.71
	-9.5	-10	74.3	24.33	70.1	22.95	65.8	21.81	63.7	20.67	61.6	19.69	57.4	18.58
	-8.5	-9.1	74.3	23.73	70.1	22.37	65.8	21.27	63.7	20.15	61.6	19.22	57.4	18.12
	-7.0	-7.6	74.3	22.82	70.1	21.51	65.8	20.47	63.7	19.40	61.6	18.50	57.4	17.44
	-5.0	-5.6	74.3	21.60	70.1	20.35	65.8	19.39	63.7	18.38	61.6	17.57	57.4	16.53
	-3.0	-3.7	74.3	20.40	70.1	19.19	65.8	18.32	63.7	17.37	61.6	16.63	57.4	15.62
	0.0	-0.7	74.3	18.58	70.1	17.47	65.8	16.69	63.7	15.84	61.6	15.20	57.4	14.27
	3.0	2.2	74.3	16.76	70.1	15.73	65.8	15.08	63.7	14.31	61.6	13.79	57.4	12.91
	5.0	4.1	74.3	15.54	70.1	14.58	65.8	14.00	63.7	13.29	61.6	12.85	57.4	12.01
	7.0	6	74.3	14.33	70.1	13.41	65.8	12.92	63.7	12.27	61.6	11.90	57.4	11.11
	9.0	7.9	74.3	12.94	70.1	12.12	65.8	11.67	63.7	11.08	61.6	10.74	57.4	10.02
11.0	9.8	74.3	12.12	70.1	11.33	65.8	10.92	63.7	10.38	61.6	10.05	57.4	9.37	
13.0	11.8	74.3	11.37	70.1	10.65	65.8	10.25	63.7	9.74	61.6	9.44	57.4	8.80	
15.0	13.7	74.3	10.75	70.1	10.07	65.8	9.70	63.7	9.22	61.6	8.94	57.4	8.34	

Notes:

1. TC: Total Capacity(kW) PI : Power Input(kW)(Comp. + Outdoor fan motor)
2. Capacity tables show the average value of conditions which may occur.
3. ■■■ is shown as reference. When selecting the outdoor units, avoid the outdoor air temperature range shown by ■■■ .

7. Capacity Tables

ARUB440LTE4

Heating Capacity(44HP)

Combination (%)	Outdoor air temp		Indoor air temp. °C DB											
			16		18		20		21		22		24	
	°C DB	°C WB	TC	PI	TC	PI	TC	PI	TC	PI	TC	PI	TC	PI
130	-24.8	-25	87.2	43.8	87.2	44.06	86.6	44.32	86.6	44.71	86.6	45.09	84.8	45.68
	-21.8	-22	106.0	44.36	106.0	44.66	105.3	44.92	105.3	45.31	105.3	45.68	103.2	46.28
	-19.8	-20	111.9	44.75	111.9	45.05	111.1	45.31	111.1	45.71	111.1	46.08	108.9	46.68
	-18.8	-19	114.2	44.94	114.2	45.24	113.5	45.50	113.5	45.89	113.5	46.28	111.1	46.87
	-16.7	-17	119.2	45.36	119.2	45.66	118.4	45.92	118.4	46.32	118.4	46.70	116.0	47.29
	-13.7	-15	126.2	45.96	126.2	46.27	125.6	46.52	125.6	46.92	125.6	47.29	122.9	45.39
	-11.8	-13	130.3	46.33	130.3	46.63	129.5	46.89	129.5	47.29	129.5	46.00	127.3	44.17
	-9.8	-11	134.4	46.74	134.4	47.03	133.6	47.29	133.6	45.91	133.6	44.63	131.8	42.90
	-9.5	-10	135.3	46.80	135.3	47.10	134.4	47.08	134.4	45.69	134.4	44.43	132.6	42.71
	-8.5	-9.1	137.9	46.99	137.9	47.29	137.0	46.36	137.0	45.00	136.3	43.75	134.9	42.08
	-7.0	-7.6	141.8	47.29	141.8	46.23	140.9	45.28	140.9	43.95	140.9	42.74	138.3	41.12
	-5.0	-5.6	147.0	45.90	147.0	44.81	146.1	43.85	146.1	42.56	146.1	41.38	142.9	39.84
	-3.0	-3.7	152.3	44.51	152.3	43.39	151.3	42.43	151.3	41.17	151.3	40.01	147.5	38.58
	0.0	-0.7	160.1	42.40	160.1	41.26	159.2	40.27	159.2	39.09	159.2	37.98	154.1	36.66
	3.0	2.2	168.0	40.31	168.0	39.14	166.9	38.12	166.9	37.00	166.9	35.93	156.1	34.76
	5.0	4.1	173.2	38.92	173.2	37.72	172.2	36.69	172.2	35.62	168.1	34.56	156.5	33.48
	7.0	6	178.4	37.52	178.4	36.31	177.3	35.26	174.2	34.22	168.1	33.20	156.5	32.21
9.0	7.9	179.1	36.35	179.1	35.18	178.6	34.16	174.2	33.16	168.1	32.17	156.5	31.21	
11.0	9.8	179.1	35.50	179.1	34.35	178.6	33.35	174.2	32.39	168.1	31.42	156.5	30.47	
13.0	11.8	179.1	34.59	179.1	33.47	178.6	32.49	174.2	31.56	168.1	30.62	156.5	29.70	
15.0	13.7	179.1	33.62	179.1	32.53	178.6	31.58	174.2	30.67	168.1	29.75	156.5	28.86	
120	-24.8	-25	86.5	44.06	86.5	44.32	86.0	44.71	86.0	45.09	86.0	45.68	84.2	46.10
	-21.8	-22	105.3	44.66	105.3	44.92	104.6	45.31	104.6	45.68	104.6	46.28	102.5	46.70
	-19.8	-20	111.0	45.05	111.0	45.31	110.4	45.71	110.4	46.08	110.4	46.68	108.0	47.10
	-18.8	-19	113.5	45.24	113.5	45.50	112.7	45.89	112.7	46.28	112.7	46.87	110.3	47.29
	-16.7	-17	118.4	45.66	118.4	45.92	117.6	46.32	117.6	46.70	117.6	47.29	115.1	46.06
	-13.7	-15	125.3	46.27	125.3	46.52	124.7	46.92	124.7	47.29	124.7	45.45	122.0	44.31
	-11.8	-13	129.4	46.63	129.4	46.89	128.6	47.29	128.6	45.99	128.6	44.29	126.4	43.20
	-9.8	-11	133.5	47.03	133.5	47.29	132.6	45.85	132.6	44.61	132.6	43.07	130.9	42.04
	-9.5	-10	134.4	47.10	134.4	47.06	133.5	45.64	133.5	44.41	133.5	42.88	131.6	41.85
	-8.5	-9.1	136.9	47.29	136.9	46.29	136.1	44.92	136.1	43.72	136.0	42.27	134.0	41.26
	-7.0	-7.6	140.8	46.14	140.8	45.15	139.9	43.84	139.9	42.70	139.5	41.35	137.3	40.39
	-5.0	-5.6	146.0	44.60	146.0	43.62	145.0	42.39	145.0	41.33	145.0	40.13	142.0	39.22
	-3.0	-3.7	151.2	43.07	151.2	42.08	150.3	40.95	150.3	39.96	150.3	38.91	145.9	38.05
	0.0	-0.7	158.9	40.76	158.9	39.79	158.0	38.79	158.0	37.90	157.8	37.08	147.0	36.29
	3.0	2.2	166.8	38.46	166.8	37.49	165.7	36.63	163.3	35.84	158.0	35.24	147.0	34.54
	5.0	4.1	172.0	36.92	172.0	35.95	168.9	35.19	163.3	34.47	158.2	34.01	147.0	33.37
	7.0	6	177.2	35.38	175.8	34.42	168.9	33.75	163.3	33.10	158.2	32.79	147.0	32.20
9.0	7.9	177.7	34.21	175.8	33.27	168.9	32.62	163.3	32.00	158.2	31.70	147.0	31.13	
11.0	9.8	177.7	33.33	175.8	32.43	168.9	31.79	163.3	31.18	158.2	30.88	147.0	30.34	
13.0	11.8	177.7	32.40	175.8	31.52	168.9	30.89	163.3	30.30	158.2	30.02	147.0	29.48	
15.0	13.7	177.7	31.40	175.8	30.53	168.9	29.94	163.3	29.36	158.2	29.10	147.0	28.56	
110	-24.8	-25	86.1	44.32	86.1	44.71	85.5	45.09	85.5	45.68	85.5	46.10	83.8	46.30
	-21.8	-22	104.6	44.92	104.6	45.31	104.0	45.68	104.0	46.28	104.0	46.70	101.9	46.89
	-19.8	-20	110.5	45.31	110.5	45.71	109.7	46.08	109.7	46.68	109.7	47.10	107.5	47.29
	-18.8	-19	112.8	45.50	112.8	45.89	112.1	46.28	112.1	46.87	112.1	47.29	109.8	46.66
	-16.7	-17	117.8	45.92	117.8	46.32	117.0	46.70	117.0	47.29	117.0	45.97	114.5	45.31
	-13.7	-15	124.7	46.52	124.7	46.92	123.9	47.29	123.9	45.29	123.9	44.08	123.9	43.37
	-11.8	-13	128.6	46.89	128.6	47.29	127.9	45.87	127.9	44.02	127.9	42.89	127.9	42.16
	-9.8	-11	132.8	47.29	132.8	45.68	132.0	44.39	132.0	42.68	132.0	41.62	131.0	40.88
	-9.5	-10	133.5	47.02	133.5	45.45	132.8	44.16	132.8	42.48	132.8	41.44	132.0	40.68
	-8.5	-9.1	136.1	46.16	136.1	44.64	135.3	43.41	135.3	41.82	135.3	40.81	132.3	40.05
	-7.0	-7.6	140.1	44.86	140.1	43.44	139.2	42.29	139.2	40.81	139.2	39.87	132.3	39.08
	-5.0	-5.6	145.2	43.13	145.2	41.84	144.3	40.80	144.3	39.48	141.7	38.61	132.3	37.80
	-3.0	-3.7	150.3	41.39	150.3	40.23	149.4	39.31	146.5	38.13	141.7	37.35	132.3	36.51
	0.0	-0.7	158.1	38.77	158.1	37.83	151.5	37.06	146.5	36.14	141.7	35.46	132.3	34.59
	3.0	2.2	165.8	36.18	161.5	35.42	151.5	34.83	146.5	34.13	141.7	33.57	132.3	32.66
	5.0	4.1	170.8	34.44	161.5	33.82	151.5	33.34	146.5	32.79	141.7	32.32	132.3	31.38
	7.0	6	170.9	32.70	161.5	32.21	151.5	31.84	146.5	31.46	141.7	31.06	132.3	30.09
9.0	7.9	170.9	31.48	161.5	31.00	151.5	30.66	146.5	30.29	141.7	29.89	132.3	28.98	
11.0	9.8	170.9	30.52	161.5	30.07	151.5	29.73	146.5	29.37	141.7	28.99	132.3	28.09	
13.0	11.8	170.9	29.51	161.5	29.07	151.5	28.73	146.5	28.39	141.7	28.02	132.3	27.16	
15.0	13.7	170.9	28.44	161.5	28.00	151.5	27.69	146.5	27.36	141.7	27.01	132.3	26.18	

Outdoor Units

Notes:

1. TC: Total Capacity(kW) PI: Power Input(kW)(Comp. + Outdoor fan motor)
2. Capacity tables show the average value of conditions which may occur.
3. ■■■ is shown as reference. When selecting the outdoor units, avoid the outdoor air temperature range shown by ■■■.

7. Capacity Tables

Heating Capacity(44HP)

Outdoor Units

Combination (%)	Outdoor air temp		Indoor air temp. °C DB											
			16		18		20		21		22		24	
	°C DB	°C WB	TC	PI	TC	PI	TC	PI	TC	PI	TC	PI	TC	PI
100	-24.8	-25	85.7	48.04	85.7	47.94	85.2	45.04	85.2	47.69	85.2	47.59	83.4	47.54
	-21.8	-22	104.2	47.89	104.2	47.78	103.6	46.46	103.6	47.55	103.6	47.96	101.5	47.39
	-19.8	-20	110.0	47.78	110.0	47.69	109.3	47.35	109.3	47.44	109.3	47.52	107.0	47.29
	-18.8	-19	112.3	47.73	111.6	47.64	111.6	47.55	111.6	47.39	111.6	47.29	109.3	46.52
	-16.7	-17	116.5	47.64	116.5	47.53	116.5	47.96	115.8	47.29	115.8	45.69	113.4	44.89
	-13.7	-15	124.0	47.48	124.0	47.38	123.4	47.29	123.4	44.96	123.4	43.39	120.9	42.56
	-11.8	-13	127.9	47.39	127.3	47.29	127.3	45.71	127.3	43.47	127.3	41.94	120.9	41.09
	-9.8	-11	132.2	47.29	132.2	45.52	131.4	44.06	131.4	41.91	129.8	40.41	120.9	39.54
	-9.5	-10	132.9	47.01	132.9	45.26	132.2	43.81	132.2	41.69	129.8	40.18	120.9	39.31
	-8.5	-9.1	135.5	46.08	135.5	44.38	134.8	42.97	134.2	40.90	129.8	39.43	120.9	38.53
	-7.0	-7.6	141.7	44.68	141.0	43.05	138.6	41.74	134.2	39.73	129.8	38.27	120.9	37.37
	-5.0	-5.6	147.8	42.82	146.4	41.27	138.6	40.08	134.2	38.17	129.8	36.75	120.9	35.83
	-3.0	-3.7	152.1	40.96	147.4	39.51	138.6	38.43	134.2	36.61	129.8	35.22	120.9	34.27
	0.0	-0.7	156.3	38.17	147.4	36.85	138.6	35.93	134.2	34.27	129.8	32.92	120.9	31.94
	3.0	2.2	156.3	35.38	147.4	34.20	138.6	33.45	134.2	31.95	129.8	30.64	120.9	29.63
	5.0	4.1	156.3	33.52	147.4	32.43	138.6	31.79	134.2	30.39	129.8	29.11	120.9	28.07
	7.0	6	156.3	31.66	147.4	30.66	138.6	30.13	134.2	28.83	129.8	27.58	120.9	26.53
9.0	7.9	156.3	30.19	147.4	29.24	138.6	28.73	134.2	27.49	129.8	26.31	120.9	25.30	
11.0	9.8	156.3	28.97	147.4	28.06	138.6	27.56	134.2	26.37	129.8	25.24	120.9	24.27	
13.0	11.8	156.3	27.67	147.4	26.81	138.6	26.35	134.2	25.21	129.8	24.11	120.9	23.20	
15.0	13.7	156.3	26.31	147.4	25.49	138.6	25.05	134.2	23.95	129.8	22.93	120.9	22.05	
90	-24.8	-25	85.4	43.26	85.4	43.87	84.8	44.29	84.8	44.47	84.8	44.87	83.1	45.47
	-21.8	-22	103.8	43.87	103.8	44.47	103.2	44.87	103.2	45.08	103.2	45.47	101.0	43.46
	-19.8	-20	109.6	44.26	109.6	44.86	108.9	45.28	108.9	45.47	108.9	44.10	106.7	42.11
	-18.8	-19	112.3	44.47	111.6	45.05	111.2	45.47	111.2	44.76	111.2	43.39	108.8	41.45
	-16.7	-17	116.5	44.87	116.5	45.47	116.0	43.99	116.0	43.26	116.0	41.94	110.4	40.03
	-13.7	-15	124.0	45.47	124.0	43.27	123.0	41.88	122.8	41.13	118.9	39.88	110.4	38.01
	-11.8	-13	127.9	43.96	127.3	41.87	126.7	40.53	122.9	39.77	118.9	38.56	110.4	36.74
	-9.8	-11	132.2	42.35	132.2	40.40	126.8	39.12	122.9	38.34	118.9	37.19	110.4	35.40
	-9.5	-10	132.9	42.12	132.9	40.18	126.8	38.92	122.9	38.13	118.9	36.97	110.4	35.19
	-8.5	-9.1	135.5	41.32	134.4	39.44	126.8	38.21	122.9	37.41	118.9	36.29	110.4	34.53
	-7.0	-7.6	141.7	40.12	134.7	38.33	126.8	37.15	122.9	36.34	118.9	35.25	110.4	33.51
	-5.0	-5.6	143.2	38.53	134.7	36.86	126.8	35.74	122.9	34.92	118.9	33.86	110.4	32.17
	-3.0	-3.7	143.2	36.93	134.7	35.39	126.8	34.33	122.9	33.48	118.9	32.49	110.4	30.83
	0.0	-0.7	143.2	34.53	134.7	33.19	126.8	32.22	122.9	31.35	118.9	30.41	110.4	28.82
	3.0	2.2	143.2	32.12	134.7	30.99	126.8	30.11	122.9	29.21	118.9	28.34	110.4	26.80
	5.0	4.1	143.2	30.53	134.7	29.51	126.8	28.69	122.9	27.78	118.9	26.95	110.4	25.46
	7.0	6	143.2	28.93	134.7	28.04	126.8	27.28	122.9	26.36	118.9	25.58	110.4	24.11
9.0	7.9	143.2	27.44	134.7	26.59	126.8	25.88	122.9	24.99	118.9	24.24	110.4	22.87	
11.0	9.8	143.2	25.94	134.7	25.14	126.8	24.46	122.9	23.64	118.9	22.93	110.4	21.62	
13.0	11.8	143.2	24.45	134.7	23.69	126.8	23.06	122.9	22.27	118.9	21.62	110.4	20.37	
15.0	13.7	143.2	22.95	134.7	22.24	126.8	21.65	122.9	20.92	118.9	20.28	110.4	19.13	
80	-24.8	-25	85.1	38.12	85.1	38.71	84.5	39.13	84.5	39.33	84.5	40.33	82.7	38.55
	-21.8	-22	102.7	38.71	102.7	39.30	102.7	39.73	102.7	40.33	102.7	38.55	98.7	36.84
	-19.8	-20	108.4	39.12	108.4	39.70	108.4	40.33	108.1	39.07	106.0	37.36	98.7	35.72
	-18.8	-19	110.7	39.30	110.7	40.33	110.7	39.68	109.8	38.43	106.0	36.78	98.7	35.15
	-16.7	-17	113.5	40.33	113.5	38.98	113.5	38.34	110.0	37.12	106.0	35.53	98.7	33.96
	-13.7	-15	113.5	38.34	113.5	37.08	113.5	36.43	110.0	35.24	106.0	33.76	98.7	32.26
	-11.8	-13	116.5	37.08	113.6	35.87	113.5	35.21	110.0	34.05	106.0	32.64	98.7	31.18
	-9.8	-11	121.5	35.75	118.0	34.60	113.5	33.94	110.0	32.79	106.0	31.46	98.7	30.07
	-9.5	-10	122.1	35.56	118.6	34.42	113.5	33.76	110.0	32.60	106.0	31.28	98.7	29.89
	-8.5	-9.1	124.6	34.89	120.8	33.77	113.5	33.11	110.0	31.98	106.0	30.68	98.7	29.33
	-7.0	-7.6	128.2	33.91	120.8	32.82	113.5	32.15	110.0	31.03	106.0	29.79	98.7	28.47
	-5.0	-5.6	128.2	32.58	120.8	31.55	113.5	30.88	110.0	29.78	106.0	28.62	98.7	27.34
	-3.0	-3.7	128.2	31.25	120.8	30.29	113.5	29.60	110.0	28.52	106.0	27.43	98.7	26.21
	0.0	-0.7	128.2	29.27	120.8	28.37	113.5	27.69	110.0	26.65	106.0	25.66	98.7	24.52
	3.0	2.2	128.2	27.29	120.8	26.46	113.5	25.77	110.0	24.76	106.0	23.88	98.7	22.81
	5.0	4.1	128.2	25.97	120.8	25.19	113.5	24.50	110.0	23.51	106.0	22.70	98.7	21.69
	7.0	6	128.2	24.64	120.8	23.92	113.5	23.22	110.0	22.26	106.0	21.53	98.7	20.55
9.0	7.9	128.2	23.13	120.8	22.47	113.5	21.79	110.0	20.90	106.0	20.21	98.7	19.30	
11.0	9.8	128.2	21.47	120.8	20.85	113.5	20.24	110.0	19.40	106.0	18.76	98.7	17.91	
13.0	11.8	128.2	20.05	120.8	19.46	113.5	18.88	110.0	18.10	106.0	17.50	98.7	16.71	
15.0	13.7	128.2	18.87	120.8	18.32	113.5	17.79	110.0	17.04	106.0	16.49	98.7	15.74	

Notes:

1. TC: Total Capacity(kW) PI : Power Input(kW)(Comp. + Outdoor fan motor)
2. Capacity tables show the average value of conditions which may occur.
3. ■■■ is shown as reference. When selecting the outdoor units, avoid the outdoor air temperature range shown by ■■■ .

7. Capacity Tables

Heating Capacity(44HP)

Combination (%)	Outdoor air temp		Indoor air temp. °C DB											
			16		18		20		21		22		24	
	°C DB	°C WB	TC	PI	TC	PI	TC	PI	TC	PI	TC	PI	TC	PI
70	-24.8	-25	85.1	38.19	85.1	38.38	84.5	38.79	84.5	39.38	84.5	37.46	82.7	35.66
	-21.8	-22	97.2	38.79	97.2	38.98	96.5	39.38	93.3	37.46	90.5	35.66	84.5	33.93
	-19.8	-20	105.4	39.18	102.7	39.38	96.5	38.03	93.3	36.18	90.5	34.46	84.5	32.78
	-18.8	-19	108.3	39.38	102.7	38.67	96.5	37.35	93.3	35.53	90.5	33.86	84.5	32.20
	-16.7	-17	108.7	37.91	102.7	37.21	96.5	35.93	93.3	34.20	90.5	32.62	84.5	30.99
	-13.7	-15	108.7	35.84	102.7	35.10	96.5	33.90	93.3	32.26	90.5	30.81	84.5	29.26
	-11.8	-13	108.7	34.51	102.7	33.77	96.5	32.61	93.3	31.04	90.5	29.68	84.5	28.17
	-9.8	-11	108.7	33.13	102.7	32.37	96.5	31.27	93.3	29.77	90.5	28.49	84.5	27.02
	-9.5	-10	108.7	32.92	102.7	32.16	96.5	31.06	93.3	29.57	90.5	28.31	84.5	26.84
	-8.5	-9.1	108.7	32.22	102.7	31.45	96.5	30.38	93.3	28.93	90.5	27.71	84.5	26.27
	-7.0	-7.6	108.7	31.18	102.7	30.42	96.5	29.37	93.3	27.97	90.5	26.80	84.5	25.40
	-5.0	-5.6	108.7	29.80	102.7	29.01	96.5	28.02	93.3	26.70	90.5	25.62	84.5	24.24
	-3.0	-3.7	108.7	28.40	102.7	27.61	96.5	26.67	93.3	25.42	90.5	24.42	84.5	23.10
	0.0	-0.7	108.7	26.32	102.7	25.50	96.5	24.65	93.3	23.50	90.5	22.62	84.5	21.36
	3.0	2.2	108.7	24.23	102.7	23.40	96.5	22.62	93.3	21.56	90.5	20.83	84.5	19.63
	5.0	4.1	108.7	22.85	102.7	22.00	96.5	21.25	93.3	20.29	90.5	19.63	84.5	18.48
	7.0	6	108.7	21.45	102.7	20.60	96.5	19.90	93.3	19.01	90.5	18.43	84.5	17.33
	9.0	7.9	108.7	19.37	102.7	18.60	96.5	17.97	93.3	17.16	90.5	16.65	84.5	15.65
11.0	9.8	108.7	18.03	102.7	17.32	96.5	16.74	93.3	15.98	90.5	15.50	84.5	14.57	
13.0	11.8	108.7	16.88	102.7	16.20	96.5	15.66	93.3	14.95	90.5	14.50	84.5	13.63	
15.0	13.7	108.7	15.91	102.7	15.27	96.5	14.76	93.3	14.09	90.5	13.67	84.5	12.85	
60	-24.8	-25	83.3	37.72	83.3	38.13	82.7	38.72	80.1	36.67	77.3	34.75	72.3	32.95
	-21.8	-22	89.3	38.31	88.3	38.72	82.7	36.67	80.1	34.75	77.3	32.95	72.3	31.22
	-19.8	-20	93.3	38.72	88.3	37.27	82.7	35.30	80.1	33.47	77.3	31.75	72.3	30.06
	-18.8	-19	93.3	37.98	88.3	36.54	82.7	34.61	80.1	32.83	77.3	31.14	72.3	29.48
	-16.7	-17	93.3	36.44	88.3	35.02	82.7	33.18	80.1	31.49	77.3	29.88	72.3	28.27
	-13.7	-15	93.3	34.23	88.3	32.84	82.7	31.14	80.1	29.57	77.3	28.08	72.3	26.52
	-11.8	-13	93.3	32.85	88.3	31.46	82.7	29.84	80.1	28.35	77.3	26.95	72.3	25.43
	-9.8	-11	93.3	31.38	88.3	30.02	82.7	28.46	80.1	27.07	77.3	25.75	72.3	24.28
	-9.5	-10	93.3	31.15	88.3	29.79	82.7	28.27	80.1	26.88	77.3	25.57	72.3	24.11
	-8.5	-9.1	93.3	30.41	88.3	29.07	82.7	27.58	80.1	26.25	77.3	24.97	72.3	23.52
	-7.0	-7.6	93.3	29.31	88.3	27.99	82.7	26.56	80.1	25.29	77.3	24.07	72.3	22.66
	-5.0	-5.6	93.3	27.85	88.3	26.53	82.7	25.19	80.1	24.01	77.3	22.87	72.3	21.51
	-3.0	-3.7	93.3	26.38	88.3	25.08	82.7	23.83	80.1	22.73	77.3	21.68	72.3	20.35
	0.0	-0.7	93.3	24.18	88.3	22.90	82.7	21.78	80.1	20.82	77.3	19.87	72.3	18.62
	3.0	2.2	93.3	21.97	88.3	20.73	82.7	19.72	80.1	18.89	77.3	18.07	72.3	16.88
	5.0	4.1	93.3	20.50	88.3	19.28	82.7	18.37	80.1	17.61	77.3	16.87	72.3	15.72
	7.0	6	93.3	19.03	88.3	17.83	82.7	17.00	80.1	16.33	77.3	15.67	72.3	14.57
	9.0	7.9	93.3	16.98	88.3	15.90	82.7	15.17	80.1	14.58	77.3	13.98	72.3	13.00
11.0	9.8	93.3	15.86	88.3	14.86	82.7	14.17	80.1	13.61	77.3	13.05	72.3	12.14	
13.0	11.8	93.3	14.86	88.3	13.91	82.7	13.26	80.1	12.75	77.3	12.24	72.3	11.37	
15.0	13.7	93.3	14.04	88.3	13.15	82.7	12.54	80.1	12.05	77.3	11.56	72.3	10.76	
50	-24.8	-25	77.9	32.88	73.5	33.47	69.0	31.68	66.8	29.99	64.5	28.40	60.1	26.93
	-21.8	-22	77.9	33.47	73.5	31.68	69.0	29.99	66.8	28.40	64.5	26.93	60.1	25.51
	-19.8	-20	77.9	32.21	73.5	30.47	69.0	28.87	66.8	27.34	64.5	25.94	60.1	24.57
	-18.8	-19	77.9	31.58	73.5	29.87	69.0	28.31	66.8	26.82	64.5	25.45	60.1	24.09
	-16.7	-17	77.9	30.27	73.5	28.61	69.0	27.13	66.8	25.70	64.5	24.41	60.1	23.09
	-13.7	-15	77.9	28.38	73.5	26.80	69.0	25.45	66.8	24.12	64.5	22.95	60.1	21.68
	-11.8	-13	77.9	27.18	73.5	25.67	69.0	24.39	66.8	23.11	64.5	22.00	60.1	20.77
	-9.8	-11	77.9	25.93	73.5	24.46	69.0	23.27	66.8	22.05	64.5	21.02	60.1	19.83
	-9.5	-10	77.9	25.73	73.5	24.28	69.0	23.09	66.8	21.89	64.5	20.87	60.1	19.70
	-8.5	-9.1	77.9	25.11	73.5	23.68	69.0	22.53	66.8	21.36	64.5	20.38	60.1	19.22
	-7.0	-7.6	77.9	24.17	73.5	22.79	69.0	21.69	66.8	20.57	64.5	19.63	60.1	18.52
	-5.0	-5.6	77.9	22.90	73.5	21.58	69.0	20.57	66.8	19.51	64.5	18.66	60.1	17.56
	-3.0	-3.7	77.9	21.65	73.5	20.38	69.0	19.46	66.8	18.46	64.5	17.68	60.1	16.61
	0.0	-0.7	77.9	19.76	73.5	18.58	69.0	17.77	66.8	16.86	64.5	16.19	60.1	15.20
	3.0	2.2	77.9	17.87	73.5	16.78	69.0	16.09	66.8	15.27	64.5	14.72	60.1	13.78
	5.0	4.1	77.9	16.61	73.5	15.59	69.0	14.97	66.8	14.21	64.5	13.74	60.1	12.84
	7.0	6	77.9	15.35	73.5	14.37	69.0	13.84	66.8	13.15	64.5	12.75	60.1	11.90
	9.0	7.9	77.9	13.87	73.5	12.99	69.0	12.50	66.8	11.87	64.5	11.51	60.1	10.73
11.0	9.8	77.9	12.98	73.5	12.14	69.0	11.70	66.8	11.12	64.5	10.77	60.1	10.04	
13.0	11.8	77.9	12.18	73.5	11.41	69.0	10.98	66.8	10.43	64.5	10.11	60.1	9.43	
15.0	13.7	77.9	11.52	73.5	10.79	69.0	10.39	66.8	9.88	64.5	9.58	60.1	8.93	

Notes:

1. TC: Total Capacity(kW) PI : Power Input(kW)(Comp. + Outdoor fan motor)
2. Capacity tables show the average value of conditions which may occur.
3. ■■■■ is shown as reference. When selecting the outdoor units, avoid the outdoor air temperature range shown by ■■■■ .

7. Capacity Tables

ARUB460LTE4

Heating Capacity(46HP)

Outdoor Units

Combination (%)	Outdoor air temp		Indoor air temp. °C DB											
			16		18		20		21		22		24	
	°C DB	°C WB	TC	PI	TC	PI	TC	PI	TC	PI	TC	PI	TC	PI
130	-24.8	-25	88.4	44.9	88.4	45.30	87.7	45.67	87.7	46.23	87.7	46.76	86.5	47.60
	-21.8	-22	107.6	45.72	107.6	46.15	107.0	46.51	107.0	47.07	107.0	47.60	105.5	48.44
	-19.8	-20	113.8	46.28	113.8	46.70	113.0	47.07	113.0	47.63	113.0	48.16	111.5	49.00
	-18.8	-19	116.3	46.56	116.3	46.98	115.6	47.35	115.6	47.90	115.6	48.44	113.9	49.28
	-16.7	-17	121.5	47.15	121.5	47.57	120.8	47.94	120.8	48.50	120.8	49.03	119.1	49.87
	-13.7	-15	129.0	47.99	129.0	48.42	128.3	48.78	128.3	49.35	128.3	49.87	126.4	47.93
	-11.8	-13	133.2	48.52	133.2	48.94	132.4	49.31	132.4	49.87	132.4	48.55	130.8	46.68
	-9.8	-11	137.5	49.09	137.5	49.51	136.7	49.87	136.7	48.47	136.7	47.16	135.2	45.38
	-9.5	-10	138.7	49.17	138.7	49.60	137.8	49.66	137.8	48.25	137.4	46.96	135.9	45.19
	-8.5	-9.1	142.3	49.45	142.3	49.87	141.4	48.93	141.4	47.54	139.5	46.26	138.2	44.54
	-7.0	-7.6	147.9	49.87	147.9	48.81	146.9	47.84	146.9	46.48	146.9	45.23	142.8	43.56
	-5.0	-5.6	155.1	48.49	155.1	47.38	154.2	46.39	154.2	45.06	154.2	43.84	147.7	42.25
	-3.0	-3.7	162.6	47.09	162.6	45.95	161.5	44.95	161.5	43.66	161.5	42.45	152.6	40.96
	0.0	-0.7	173.5	45.00	173.5	43.81	172.5	42.77	171.4	41.54	169.2	40.38	159.9	39.00
	3.0	2.2	179.2	42.91	179.2	41.68	178.3	40.60	176.7	39.42	174.5	38.28	162.7	37.05
	5.0	4.1	182.8	41.52	182.8	40.25	181.9	39.15	180.3	38.01	175.2	36.89	163.1	35.74
	7.0	6	186.3	40.12	186.3	38.83	185.4	37.70	181.6	36.60	175.2	35.50	163.1	34.44
	9.0	7.9	186.7	38.96	186.7	37.71	186.2	36.61	181.6	35.54	175.2	34.48	163.1	33.45
11.0	9.8	186.7	38.14	186.7	36.91	186.2	35.84	181.6	34.80	175.2	33.76	163.1	32.74	
13.0	11.8	186.7	37.27	186.7	36.06	186.2	35.01	181.6	34.00	175.2	32.99	163.1	32.00	
15.0	13.7	186.7	36.33	186.7	35.16	186.2	34.12	181.6	33.14	175.2	32.15	163.1	31.19	
120	-24.8	-25	87.7	45.30	87.7	45.67	87.1	46.23	87.1	46.76	87.1	47.60	85.9	48.19
	-21.8	-22	107.0	46.15	107.0	46.51	106.3	47.07	106.3	47.60	106.3	48.44	104.8	49.03
	-19.8	-20	113.0	46.70	113.0	47.07	112.3	47.63	112.3	48.16	112.3	49.00	110.6	49.60
	-18.8	-19	115.5	46.98	115.5	47.35	114.8	47.90	114.8	48.44	114.8	49.28	113.1	49.87
	-16.7	-17	120.7	47.57	120.7	47.94	119.9	48.50	119.9	49.03	119.9	49.87	118.2	48.61
	-13.7	-15	128.1	48.42	128.1	48.78	127.4	49.35	127.4	49.87	127.4	47.99	125.5	46.82
	-11.8	-13	132.3	48.94	132.3	49.31	131.5	49.87	131.5	48.55	131.5	46.81	129.9	45.69
	-9.8	-11	136.6	49.51	136.6	49.87	135.7	48.41	135.7	47.14	135.7	45.56	134.3	44.50
	-9.5	-10	137.7	49.60	137.7	49.64	136.8	48.20	136.8	46.94	136.8	45.37	135.2	44.31
	-8.5	-9.1	141.3	49.87	141.3	48.86	140.5	47.46	140.5	46.23	139.9	44.74	138.2	43.70
	-7.0	-7.6	146.8	48.71	146.8	47.70	145.9	46.36	145.9	45.19	143.6	43.81	141.7	42.81
	-5.0	-5.6	154.1	47.16	154.1	46.14	153.1	44.89	153.1	43.79	153.1	42.56	146.7	41.62
	-3.0	-3.7	161.4	45.60	161.4	44.59	160.4	43.42	160.4	42.39	159.6	41.31	151.5	40.42
	0.0	-0.7	172.3	43.27	171.8	42.26	168.7	41.22	166.7	40.29	164.7	39.44	153.2	38.62
	3.0	2.2	177.9	40.95	177.2	39.92	174.0	39.02	170.2	38.19	164.8	37.56	153.2	36.83
	5.0	4.1	181.5	39.39	180.8	38.37	176.1	37.55	170.2	36.80	165.0	36.31	153.2	35.63
	7.0	6	185.0	37.83	183.3	36.81	176.1	36.09	170.2	35.39	165.0	35.07	153.2	34.44
	9.0	7.9	185.3	36.66	183.3	35.66	176.1	34.96	170.2	34.29	165.0	33.97	153.2	33.37
11.0	9.8	185.3	35.80	183.3	34.83	176.1	34.15	170.2	33.49	165.0	33.17	153.2	32.59	
13.0	11.8	185.3	34.89	183.3	33.95	176.1	33.27	170.2	32.64	165.0	32.33	153.2	31.75	
15.0	13.7	185.3	33.91	183.3	32.98	176.1	32.34	170.2	31.71	165.0	31.42	153.2	30.85	
110	-24.8	-25	87.2	45.67	87.2	46.23	86.6	46.76	86.6	47.60	86.6	48.19	85.4	48.48
	-21.8	-22	106.3	46.51	106.3	47.07	105.7	47.60	105.7	48.44	105.7	49.03	104.2	49.31
	-19.8	-20	112.4	47.07	112.4	47.63	111.6	48.16	111.6	49.00	111.6	49.60	110.0	49.87
	-18.8	-19	114.8	47.35	114.8	47.90	114.2	48.44	114.2	49.28	114.2	49.87	112.5	49.22
	-16.7	-17	120.1	47.94	120.1	48.50	119.3	49.03	119.3	49.87	119.3	48.52	117.6	47.83
	-13.7	-15	127.4	48.78	127.4	49.35	126.6	49.87	126.6	47.82	126.6	46.58	126.6	45.84
	-11.8	-13	131.5	49.31	131.5	49.87	130.7	48.42	130.7	46.52	130.7	45.35	130.7	44.59
	-9.8	-11	135.8	49.87	135.8	48.23	135.0	46.90	135.0	45.15	135.0	44.06	134.0	43.27
	-9.5	-10	136.9	49.60	136.9	47.98	136.1	46.66	136.1	44.94	136.1	43.87	135.5	43.08
	-8.5	-9.1	140.5	48.72	140.5	47.16	139.6	45.90	139.6	44.26	139.4	43.22	137.4	42.42
	-7.0	-7.6	146.0	47.39	146.0	45.93	145.1	44.75	145.1	43.23	143.6	42.25	137.9	41.42
	-5.0	-5.6	153.2	45.62	153.2	44.30	152.3	43.23	151.3	41.86	146.8	40.97	137.9	40.10
	-3.0	-3.7	160.5	43.85	160.5	42.65	156.6	41.70	152.8	40.49	147.7	39.67	137.9	38.79
	0.0	-0.7	169.4	41.17	166.1	40.19	158.0	39.40	152.8	38.44	147.7	37.73	137.9	36.80
	3.0	2.2	174.7	38.52	168.4	37.73	158.0	37.11	152.8	36.38	147.7	35.79	137.9	34.82
	5.0	4.1	178.1	36.75	168.4	36.09	158.0	35.58	152.8	35.00	147.7	34.50	137.9	33.51
	7.0	6	178.1	34.96	168.4	34.44	158.0	34.05	152.8	33.64	147.7	33.22	137.9	32.18
	9.0	7.9	178.1	33.73	168.4	33.22	158.0	32.85	152.8	32.46	147.7	32.03	137.9	31.05
11.0	9.8	178.1	32.78	168.4	32.30	158.0	31.93	152.8	31.54	147.7	31.14	137.9	30.17	
13.0	11.8	178.1	31.78	168.4	31.30	158.0	30.94	152.8	30.57	147.7	30.17	137.9	29.25	
15.0	13.7	178.1	30.71	168.4	30.24	158.0	29.90	152.8	29.54	147.7	29.16	137.9	28.26	

Notes:

1. TC: Total Capacity(kW) PI : Power Input(kW)(Comp. + Outdoor fan motor)
2. Capacity tables show the average value of conditions which may occur.
3. ■■■ is shown as reference. When selecting the outdoor units, avoid the outdoor air temperature range shown by ■■■ .

7. Capacity Tables

Heating Capacity(46HP)

Combination (%)	Outdoor air temp		Indoor air temp. °C DB											
			16		18		20		21		22		24	
	°C DB	°C WB	TC	PI	TC	PI	TC	PI	TC	PI	TC	PI	TC	PI
100	-24.8	-25	86.8	49.54	86.8	49.58	86.3	47.05	86.3	49.69	86.3	49.74	85.0	49.76
	-21.8	-22	105.9	49.61	105.9	49.64	105.3	48.54	105.3	49.77	105.3	50.35	103.8	49.83
	-19.8	-20	111.9	49.64	111.9	49.70	111.2	49.48	111.2	49.80	111.2	50.04	109.6	49.87
	-18.8	-19	114.4	49.66	113.6	49.72	113.6	49.77	113.6	49.82	113.6	49.87	112.0	49.07
	-16.7	-17	118.8	49.73	118.8	49.76	118.8	50.35	118.1	49.87	118.1	48.21	116.4	47.39
	-13.7	-15	126.7	49.78	126.7	49.83	126.1	49.87	126.1	47.47	126.1	45.84	124.3	44.98
	-11.8	-13	130.8	49.83	130.1	49.87	130.1	48.25	130.1	45.93	130.1	44.34	125.7	43.45
	-9.8	-11	135.2	49.87	135.2	48.05	134.4	46.55	134.4	44.32	133.3	42.76	126.0	41.84
	-9.5	-10	136.2	49.58	136.2	47.78	135.5	46.29	135.5	44.09	133.9	42.52	126.0	41.61
	-8.5	-9.1	139.9	48.64	139.9	46.88	139.1	45.43	139.9	43.28	135.3	41.74	126.0	40.80
	-7.0	-7.6	147.7	47.20	147.0	45.51	144.5	44.17	139.9	42.07	135.3	40.55	126.0	39.60
	-5.0	-5.6	154.1	45.30	152.6	43.69	144.5	42.46	139.9	40.46	135.3	38.97	126.0	38.00
	-3.0	-3.7	158.6	43.39	153.7	41.88	144.5	40.75	139.9	38.85	135.3	37.39	126.0	36.39
	0.0	-0.7	163.0	40.52	153.7	39.15	144.5	38.18	139.9	36.45	135.3	35.02	126.0	33.97
	3.0	2.2	163.0	37.67	153.7	36.42	144.5	35.63	139.9	34.05	135.3	32.66	126.0	31.58
	5.0	4.1	163.0	35.76	153.7	34.61	144.5	33.93	139.9	32.44	135.3	31.08	126.0	29.97
	7.0	6	163.0	33.85	153.7	32.79	144.5	32.22	139.9	30.83	135.3	29.49	126.0	28.37
	9.0	7.9	163.0	32.33	153.7	31.31	144.5	30.77	139.9	29.44	135.3	28.17	126.0	27.08
11.0	9.8	163.0	31.06	153.7	30.08	144.5	29.56	139.9	28.28	135.3	27.06	126.0	26.02	
13.0	11.8	163.0	29.73	153.7	28.80	144.5	28.30	139.9	27.07	135.3	25.90	126.0	24.91	
15.0	13.7	163.0	28.32	153.7	27.43	144.5	26.96	139.9	25.78	135.3	24.67	126.0	23.72	
90	-24.8	-25	86.5	44.61	86.5	45.46	85.9	46.06	85.9	46.32	85.9	46.89	84.7	47.73
	-21.8	-22	105.4	45.46	105.4	46.31	104.8	46.89	104.8	47.18	104.8	47.73	103.3	45.66
	-19.8	-20	111.5	46.02	111.5	46.86	110.7	47.45	110.7	47.73	110.7	46.32	109.2	44.28
	-18.8	-19	114.4	46.31	113.6	47.14	113.2	47.73	113.2	47.01	113.2	45.60	111.5	43.60
	-16.7	-17	118.8	46.89	118.8	47.73	118.3	46.22	118.3	45.47	118.3	44.12	114.2	42.14
	-13.7	-15	126.7	47.73	126.7	45.49	125.6	44.07	125.4	43.29	122.8	42.01	115.2	40.07
	-11.8	-13	130.8	46.19	130.1	44.07	129.6	42.69	127.0	41.90	124.0	40.65	115.2	38.76
	-9.8	-11	135.2	44.56	135.2	42.57	131.1	41.26	128.1	40.43	124.0	39.24	115.2	37.38
	-9.5	-10	136.2	44.33	136.2	42.34	131.6	41.05	128.1	40.22	124.0	39.02	115.2	37.17
	-8.5	-9.1	139.9	43.52	138.8	41.59	132.1	40.32	128.1	39.49	124.0	38.32	115.2	36.49
	-7.0	-7.6	147.7	42.30	140.4	40.47	132.1	39.24	128.1	38.40	124.0	37.26	115.2	35.45
	-5.0	-5.6	149.2	40.68	140.4	38.97	132.1	37.81	128.1	36.94	124.0	35.84	115.2	34.06
	-3.0	-3.7	149.2	39.06	140.4	37.47	132.1	36.37	128.1	35.47	124.0	34.43	115.2	32.69
	0.0	-0.7	149.2	36.62	140.4	35.23	132.1	34.21	128.1	33.29	124.0	32.30	115.2	30.62
	3.0	2.2	149.2	34.18	140.4	32.99	132.1	32.06	128.1	31.10	124.0	30.18	115.2	28.55
	5.0	4.1	149.2	32.56	140.4	31.49	132.1	30.61	128.1	29.64	124.0	28.76	115.2	27.17
	7.0	6	149.2	30.94	140.4	29.99	132.1	29.17	128.1	28.18	124.0	27.35	115.2	25.78
	9.0	7.9	149.2	29.42	140.4	28.51	132.1	27.75	128.1	26.79	124.0	25.99	115.2	24.52
11.0	9.8	149.2	27.89	140.4	27.03	132.1	26.30	128.1	25.41	124.0	24.65	115.2	23.25	
13.0	11.8	149.2	26.36	140.4	25.55	132.1	24.86	128.1	24.02	124.0	23.31	115.2	21.97	
15.0	13.7	149.2	24.83	140.4	24.07	132.1	23.43	128.1	22.63	124.0	21.95	115.2	20.70	
80	-24.8	-25	86.2	39.21	86.2	40.05	85.6	40.64	85.6	40.93	85.6	42.33	84.3	40.51
	-21.8	-22	104.4	40.05	104.4	40.89	104.4	41.49	104.4	42.33	104.4	40.51	101.2	38.75
	-19.8	-20	110.3	40.62	110.3	41.45	110.3	42.33	110.0	41.04	108.2	39.29	102.9	37.59
	-18.8	-19	112.7	40.89	112.7	42.33	112.7	41.67	111.8	40.39	109.1	38.68	102.9	37.00
	-16.7	-17	116.3	42.33	116.3	40.96	116.3	40.30	113.9	39.04	110.6	37.40	102.9	35.78
	-13.7	-15	118.3	40.31	118.3	39.02	118.3	38.34	114.7	37.12	110.6	35.59	102.9	34.03
	-11.8	-13	120.8	39.02	118.4	37.78	118.3	37.10	114.7	35.89	110.6	34.43	102.9	32.92
	-9.8	-11	126.2	37.67	122.8	36.48	118.3	35.80	114.7	34.60	110.6	33.22	102.9	31.77
	-9.5	-10	127.0	37.48	123.5	36.30	118.3	35.61	114.7	34.41	110.6	33.04	102.9	31.59
	-8.5	-9.1	129.7	36.79	126.0	35.64	118.3	34.95	114.7	33.77	110.6	32.42	102.9	31.01
	-7.0	-7.6	133.6	35.79	126.0	34.67	118.3	33.97	114.7	32.80	110.6	31.51	102.9	30.13
	-5.0	-5.6	133.6	34.44	126.0	33.37	118.3	32.67	114.7	31.52	110.6	30.31	102.9	28.97
	-3.0	-3.7	133.6	33.08	126.0	32.08	118.3	31.35	114.7	30.22	110.6	29.09	102.9	27.81
	0.0	-0.7	133.6	31.07	126.0	30.12	118.3	29.40	114.7	28.30	110.6	27.26	102.9	26.06
	3.0	2.2	133.6	29.05	126.0	28.18	118.3	27.43	114.7	26.37	110.6	25.44	102.9	24.30
	5.0	4.1	133.6	27.70	126.0	26.88	118.3	26.14	114.7	25.09	110.6	24.22	102.9	23.15
	7.0	6	133.6	26.35	126.0	25.58	118.3	24.83	114.7	23.81	110.6	23.02	102.9	21.98
	9.0	7.9	133.6	24.74	126.0	24.03	118.3	23.31	114.7	22.35	110.6	21.61	102.9	20.64
11.0	9.8	133.6	22.96	126.0	22.30	118.3	21.64	114.7	20.74	110.6	20.06	102.9	19.16	
13.0	11.8	133.6	21.44	126.0	20.81	118.3	20.19	114.7	19.36	110.6	18.72	102.9	17.87	
15.0	13.7	133.6	20.18	126.0	19.59	118.3	19.02	114.7	18.22	110.6	17.63	102.9	16.83	

Notes:

1. TC: Total Capacity(kW) PI : Power Input(kW)(Comp. + Outdoor fan motor)
2. Capacity tables show the average value of conditions which may occur.
3. ■■■ is shown as reference. When selecting the outdoor units, avoid the outdoor air temperature range shown by ■■■ .

7. Capacity Tables

Heating Capacity(46HP)

Outdoor Units

Combination (%)	Outdoor air temp		Indoor air temp. °C DB											
			16		18		20		21		22		24	
	°C DB	°C WB	TC	PI	TC	PI	TC	PI	TC	PI	TC	PI	TC	PI
70	-24.8	-25	86.2	39.48	86.2	39.75	85.6	40.32	85.6	41.16	85.6	39.19	84.3	37.35
	-21.8	-22	100.2	40.32	100.4	40.60	99.7	41.16	97.2	39.19	94.3	37.35	88.1	35.58
	-19.8	-20	107.5	40.87	105.9	41.16	100.6	39.78	97.2	37.88	94.3	36.13	88.1	34.40
	-18.8	-19	110.5	41.16	106.8	40.44	100.6	39.09	97.2	37.22	94.3	35.51	88.1	33.80
	-16.7	-17	113.0	39.67	107.0	38.95	100.6	37.64	97.2	35.86	94.3	34.24	88.1	32.56
	-13.7	-15	113.3	37.56	107.0	36.80	100.6	35.57	97.2	33.88	94.3	32.39	88.1	30.78
	-11.8	-13	113.3	36.21	107.0	35.44	100.6	34.25	97.2	32.63	94.3	31.23	88.1	29.66
	-9.8	-11	113.3	34.80	107.0	34.01	100.6	32.88	97.2	31.33	94.3	30.01	88.1	28.48
	-9.5	-10	113.3	34.59	107.0	33.80	100.6	32.67	97.2	31.13	94.3	29.82	88.1	28.30
	-8.5	-9.1	113.3	33.89	107.0	33.08	100.6	31.98	97.2	30.48	94.3	29.21	88.1	27.71
	-7.0	-7.6	113.3	32.83	107.0	32.03	100.6	30.94	97.2	29.49	94.3	28.28	88.1	26.82
	-5.0	-5.6	113.3	31.42	107.0	30.60	100.6	29.56	97.2	28.19	94.3	27.07	88.1	25.63
	-3.0	-3.7	113.3	30.00	107.0	29.17	100.6	28.19	97.2	26.88	94.3	25.84	88.1	24.45
	0.0	-0.7	113.3	27.88	107.0	27.02	100.6	26.12	97.2	24.92	94.3	24.00	88.1	22.67
	3.0	2.2	113.3	25.77	107.0	24.88	100.6	24.05	97.2	22.94	94.3	22.17	88.1	20.90
	5.0	4.1	113.3	24.36	107.0	23.45	100.6	22.66	97.2	21.64	94.3	20.94	88.1	19.72
	7.0	6	113.3	22.94	107.0	22.02	100.6	21.29	97.2	20.33	94.3	19.71	88.1	18.53
9.0	7.9	113.3	20.72	107.0	19.90	100.6	19.22	97.2	18.35	94.3	17.80	88.1	16.74	
11.0	9.8	113.3	19.29	107.0	18.52	100.6	17.90	97.2	17.09	94.3	16.57	88.1	15.58	
13.0	11.8	113.3	18.05	107.0	17.33	100.6	16.74	97.2	15.99	94.3	15.51	88.1	14.57	
15.0	13.7	113.3	17.02	107.0	16.33	100.6	15.79	97.2	15.07	94.3	14.62	88.1	13.74	
60	-24.8	-25	84.6	38.84	84.6	39.42	84.0	40.25	82.2	38.17	80.3	36.21	75.4	34.38
	-21.8	-22	92.2	39.68	92.1	40.25	86.3	38.17	83.5	36.21	80.6	34.38	75.4	32.61
	-19.8	-20	97.2	40.25	92.1	38.78	86.3	36.78	83.5	34.91	80.6	33.15	75.4	31.42
	-18.8	-19	97.2	39.51	92.1	38.04	86.3	36.08	83.5	34.26	80.6	32.53	75.4	30.83
	-16.7	-17	97.2	37.95	92.1	36.50	86.3	34.62	83.5	32.89	80.6	31.25	75.4	29.59
	-13.7	-15	97.2	35.71	92.1	34.29	86.3	32.55	83.5	30.94	80.6	29.42	75.4	27.81
	-11.8	-13	97.2	34.32	92.1	32.89	86.3	31.23	83.5	29.70	80.6	28.26	75.4	26.69
	-9.8	-11	97.2	32.83	92.1	31.42	86.3	29.83	83.5	28.40	80.6	27.04	75.4	25.52
	-9.5	-10	97.2	32.60	92.1	31.20	86.3	29.63	83.5	28.20	80.6	26.85	75.4	25.34
	-8.5	-9.1	97.2	31.85	92.1	30.47	86.3	28.94	83.5	27.56	80.6	26.24	75.4	24.74
	-7.0	-7.6	97.2	30.75	92.1	29.37	86.3	27.89	83.5	26.58	80.6	25.32	75.4	23.86
	-5.0	-5.6	97.2	29.26	92.1	27.89	86.3	26.50	83.5	25.28	80.6	24.10	75.4	22.67
	-3.0	-3.7	97.2	27.78	92.1	26.42	86.3	25.12	83.5	23.98	80.6	22.88	75.4	21.49
	0.0	-0.7	97.2	25.56	92.1	24.21	86.3	23.04	83.5	22.03	80.6	21.04	75.4	19.73
	3.0	2.2	97.2	23.32	92.1	22.01	86.3	20.95	83.5	20.07	80.6	19.20	75.4	17.94
	5.0	4.1	97.2	21.83	92.1	20.53	86.3	19.57	83.5	18.77	80.6	17.98	75.4	16.76
	7.0	6	97.2	20.35	92.1	19.07	86.3	18.17	83.5	17.47	80.6	16.76	75.4	15.58
9.0	7.9	97.2	18.16	92.1	17.01	86.3	16.22	83.5	15.59	80.6	14.95	75.4	13.91	
11.0	9.8	97.2	16.96	92.1	15.89	86.3	15.15	83.5	14.55	80.6	13.96	75.4	12.98	
13.0	11.8	97.2	15.89	92.1	14.88	86.3	14.19	83.5	13.63	80.6	13.09	75.4	12.16	
15.0	13.7	97.2	15.02	92.1	14.06	86.3	13.41	83.5	12.89	80.6	12.36	75.4	11.50	
50	-24.8	-25	81.2	34.30	76.6	35.13	72.0	33.28	69.7	31.53	67.3	29.88	62.7	28.35
	-21.8	-22	81.2	35.13	76.6	33.28	72.0	31.53	69.7	29.88	67.3	28.35	62.7	26.88
	-19.8	-20	81.2	33.83	76.6	32.03	72.0	30.37	69.7	28.78	67.3	27.32	62.7	25.90
	-18.8	-19	81.2	33.18	76.6	31.41	72.0	29.79	69.7	28.24	67.3	26.81	62.7	25.40
	-16.7	-17	81.2	31.83	76.6	30.11	72.0	28.57	69.7	27.08	67.3	25.74	62.7	24.36
	-13.7	-15	81.2	29.88	76.6	28.23	72.0	26.83	69.7	25.44	67.3	24.22	62.7	22.89
	-11.8	-13	81.2	28.64	76.6	27.06	72.0	25.73	69.7	24.39	67.3	23.24	62.7	21.95
	-9.8	-11	81.2	27.34	76.6	25.81	72.0	24.57	69.7	23.30	67.3	22.22	62.7	20.97
	-9.5	-10	81.2	27.14	76.6	25.63	72.0	24.38	69.7	23.13	67.3	22.07	62.7	20.83
	-8.5	-9.1	81.2	26.49	76.6	25.01	72.0	23.80	69.7	22.58	67.3	21.56	62.7	20.34
	-7.0	-7.6	81.2	25.53	76.6	24.08	72.0	22.93	69.7	21.76	67.3	20.78	62.7	19.61
	-5.0	-5.6	81.2	24.22	76.6	22.83	72.0	21.77	69.7	20.66	67.3	19.77	62.7	18.61
	-3.0	-3.7	81.2	22.92	76.6	21.59	72.0	20.62	69.7	19.57	67.3	18.75	62.7	17.63
	0.0	-0.7	81.2	20.97	76.6	19.72	72.0	18.87	69.7	17.91	67.3	17.21	62.7	16.15
	3.0	2.2	81.2	19.01	76.6	17.86	72.0	17.13	69.7	16.26	67.3	15.68	62.7	14.68
	5.0	4.1	81.2	17.72	76.6	16.63	72.0	15.97	69.7	15.17	67.3	14.66	62.7	13.70
	7.0	6	81.2	16.42	76.6	15.37	72.0	14.80	69.7	14.06	67.3	13.63	62.7	12.72
9.0	7.9	81.2	14.83	76.6	13.89	72.0	13.37	69.7	12.70	67.3	12.31	62.7	11.48	
11.0	9.8	81.2	13.88	76.6	12.99	72.0	12.51	69.7	11.89	67.3	11.52	62.7	10.74	
13.0	11.8	81.2	13.03	76.6	12.20	72.0	11.74	69.7	11.15	67.3	10.81	62.7	10.09	
15.0	13.7	81.2	12.32	76.6	11.54	72.0	11.11	69.7	10.56	67.3	10.24	62.7	9.55	

Notes:

1. TC: Total Capacity(kW) PI : Power Input(kW)(Comp. + Outdoor fan motor)
2. Capacity tables show the average value of conditions which may occur.
3. ■■■ is shown as reference. When selecting the outdoor units, avoid the outdoor air temperature range shown by ■■■ .

7. Capacity Tables

ARUB480LTE4

Heating Capacity(48HP)

Combination (%)	Outdoor air temp		Indoor air temp. °C DB											
			16		18		20		21		22		24	
	°C DB	°C WB	TC	PI	TC	PI	TC	PI	TC	PI	TC	PI	TC	PI
130	-24.8	-25	97.2	50.3	97.2	50.57	96.4	50.83	96.4	51.21	96.4	51.59	94.5	52.17
	-21.8	-22	116.9	50.87	116.9	51.16	116.2	51.42	116.2	51.80	116.2	52.17	113.9	52.75
	-19.8	-20	122.9	51.25	122.9	51.54	122.0	51.80	122.0	52.19	122.0	52.56	119.6	53.15
	-18.8	-19	125.3	51.44	125.3	51.73	124.5	51.99	124.5	52.38	124.5	52.75	121.9	53.34
	-16.7	-17	130.4	51.85	130.4	52.15	129.5	52.40	129.5	52.80	129.5	53.16	126.9	53.75
	-13.7	-15	137.7	52.44	137.7	52.74	136.9	52.99	136.9	53.38	136.9	53.75	134.1	51.52
	-11.8	-13	142.1	52.81	142.1	53.10	141.2	53.36	141.2	53.75	141.2	52.23	138.6	50.09
	-9.8	-11	146.6	53.21	146.6	53.49	145.8	53.75	145.8	52.11	145.8	50.62	143.3	48.60
	-9.5	-10	147.5	53.26	147.5	53.56	146.6	53.49	146.6	51.86	146.6	50.38	144.1	48.37
	-8.5	-9.1	150.4	53.46	150.4	53.75	149.5	52.64	149.5	51.04	148.7	49.58	146.4	47.63
	-7.0	-7.6	154.7	53.75	154.7	52.48	153.8	51.36	153.8	49.81	153.8	48.39	150.0	46.51
	-5.0	-5.6	160.4	52.08	160.4	50.79	159.4	49.66	159.4	48.16	159.4	46.79	154.7	45.01
	-3.0	-3.7	166.2	50.40	166.2	49.09	165.1	47.98	165.1	46.52	165.1	45.18	159.5	43.53
	0.0	-0.7	174.7	47.87	174.7	46.56	173.7	45.42	173.7	44.06	173.7	42.79	166.6	41.28
	3.0	2.2	183.4	45.36	183.4	44.03	182.2	42.87	182.2	41.60	182.2	40.37	170.3	39.05
	5.0	4.1	189.1	43.68	189.1	42.33	188.0	41.17	188.0	39.96	183.4	38.77	170.7	37.55
	7.0	6	194.8	42.00	194.8	40.65	193.6	39.47	190.0	38.31	183.4	37.17	170.7	36.06
	9.0	7.9	195.4	40.59	195.4	39.29	194.9	38.14	190.0	37.03	183.4	35.92	170.7	34.85
11.0	9.8	195.4	39.53	195.4	38.25	194.9	37.14	190.0	36.07	183.4	34.99	170.7	33.93	
13.0	11.8	195.4	38.40	195.4	37.15	194.9	36.07	190.0	35.03	183.4	34.00	170.7	32.97	
15.0	13.7	195.4	37.19	195.4	36.00	194.9	34.94	190.0	33.93	183.4	32.92	170.7	31.93	
120	-24.8	-25	96.4	50.57	96.4	50.83	95.8	51.21	95.8	51.59	95.8	52.17	93.9	52.58
	-21.8	-22	116.2	51.16	116.2	51.42	115.4	51.80	115.4	52.17	115.4	52.75	113.1	53.16
	-19.8	-20	121.9	51.54	121.9	51.80	121.2	52.19	121.2	52.56	121.2	53.15	118.7	53.56
	-18.8	-19	124.4	51.73	124.4	51.99	123.6	52.38	123.6	52.75	123.6	53.34	121.1	53.75
	-16.7	-17	129.5	52.15	129.5	52.40	128.6	52.80	128.6	53.16	128.6	53.75	126.0	52.31
	-13.7	-15	136.7	52.74	136.7	52.99	136.0	53.38	136.0	53.75	136.0	51.59	133.1	50.25
	-11.8	-13	141.2	53.10	141.2	53.36	140.2	53.75	140.2	52.22	140.2	50.22	137.7	48.95
	-9.8	-11	145.6	53.49	145.6	53.75	144.7	52.05	144.7	50.60	144.7	48.79	142.3	47.58
	-9.5	-10	146.5	53.56	146.5	53.48	145.6	51.80	145.6	50.36	145.6	48.57	143.0	47.37
	-8.5	-9.1	149.3	53.75	149.3	52.57	148.5	50.95	148.5	49.55	148.2	47.85	145.5	46.68
	-7.0	-7.6	153.6	52.38	153.6	51.22	152.6	49.67	152.6	48.34	151.8	46.77	148.9	45.65
	-5.0	-5.6	159.3	50.56	159.3	49.40	158.3	47.97	158.3	46.74	158.3	45.33	153.7	44.28
	-3.0	-3.7	165.0	48.73	165.0	47.59	164.0	46.28	164.0	45.12	164.0	43.90	158.4	42.91
	0.0	-0.7	173.5	45.99	173.5	44.88	172.5	43.73	172.5	42.70	172.3	41.75	160.3	40.85
	3.0	2.2	182.1	43.27	182.1	42.16	180.9	41.18	178.1	40.28	172.4	39.58	160.3	38.79
	5.0	4.1	187.8	41.44	187.8	40.35	184.3	39.48	178.1	38.67	172.6	38.14	160.3	37.42
	7.0	6	193.4	39.60	191.8	38.54	184.3	37.78	178.1	37.05	172.6	36.71	160.3	36.05
	9.0	7.9	193.9	38.21	191.8	37.16	184.3	36.43	178.1	35.74	172.6	35.40	160.3	34.77
11.0	9.8	193.9	37.12	191.8	36.12	184.3	35.41	178.1	34.73	172.6	34.40	160.3	33.79	
13.0	11.8	193.9	35.98	191.8	35.01	184.3	34.31	178.1	33.66	172.6	33.34	160.3	32.74	
15.0	13.7	193.9	34.77	191.8	33.81	184.3	33.15	178.1	32.51	172.6	32.22	160.3	31.63	
110	-24.8	-25	95.9	50.83	95.9	51.21	95.3	51.59	95.3	52.17	95.3	52.58	93.4	52.78
	-21.8	-22	115.5	51.42	115.5	51.80	114.8	52.17	114.8	52.75	114.8	53.16	112.5	53.36
	-19.8	-20	121.3	51.80	121.3	52.19	120.5	52.56	120.5	53.15	120.5	53.56	118.0	53.75
	-18.8	-19	123.7	51.99	123.7	52.38	123.0	52.75	123.0	53.34	123.0	53.75	120.4	53.01
	-16.7	-17	128.8	52.40	128.8	52.80	127.9	53.16	127.9	53.75	127.9	52.21	125.3	51.43
	-13.7	-15	136.0	52.99	136.0	53.38	135.1	53.75	135.1	51.41	135.1	50.00	135.1	49.18
	-11.8	-13	140.3	53.36	140.3	53.75	139.4	52.08	139.4	49.92	139.4	48.60	139.4	47.76
	-9.8	-11	144.8	53.75	144.8	51.86	144.0	50.34	144.0	48.36	144.0	47.12	142.3	46.27
	-9.5	-10	145.6	53.43	145.6	51.58	144.8	50.08	144.8	48.12	144.8	46.91	144.0	46.04
	-8.5	-9.1	148.5	52.42	148.5	50.64	147.6	49.21	147.6	47.34	147.6	46.17	144.3	45.30
	-7.0	-7.6	152.8	50.89	152.8	49.23	151.8	47.89	151.8	46.16	151.8	45.07	144.3	44.17
	-5.0	-5.6	158.4	48.85	158.4	47.36	157.4	46.14	157.4	44.60	154.5	43.60	144.3	42.67
	-3.0	-3.7	164.0	46.82	164.0	45.47	163.1	44.39	159.9	43.03	154.5	42.13	144.3	41.18
	0.0	-0.7	172.5	43.74	172.5	42.65	165.3	41.77	159.9	40.70	154.5	39.92	144.3	38.93
	3.0	2.2	181.0	40.69	176.2	39.82	165.3	39.15	159.9	38.34	154.5	37.70	144.3	36.68
	5.0	4.1	186.4	38.65	176.2	37.94	165.3	37.40	159.9	36.77	154.5	36.24	144.3	35.19
	7.0	6	186.4	36.60	176.2	36.05	165.3	35.65	159.9	35.22	154.5	34.77	144.3	33.69
	9.0	7.9	186.4	35.16	176.2	34.63	165.3	34.24	159.9	33.83	154.5	33.39	144.3	32.37
11.0	9.8	186.4	34.01	176.2	33.50	165.3	33.12	159.9	32.72	154.5	32.30	144.3	31.30	
13.0	11.8	186.4	32.79	176.2	32.29	165.3	31.92	159.9	31.54	154.5	31.13	144.3	30.17	
15.0	13.7	186.4	31.49	176.2	31.01	165.3	30.67	159.9	30.30	154.5	29.91	144.3	28.99	

Outdoor Units

Notes:

1. TC: Total Capacity(kW) PI : Power Input(kW)(Comp. + Outdoor fan motor)
2. Capacity tables show the average value of conditions which may occur.
3. ■■■ is shown as reference. When selecting the outdoor units, avoid the outdoor air temperature range shown by ■■■ .

7. Capacity Tables

Heating Capacity(48HP)

Outdoor Units

Combination (%)	Outdoor air temp		Indoor air temp. °C DB											
			16		18		20		21		22		24	
	°C DB	°C WB	TC	PI	TC	PI	TC	PI	TC	PI	TC	PI	TC	PI
100	-24.8	-25	95.4	54.02	95.4	53.98	94.9	51.03	94.9	53.89	94.9	53.86	92.9	53.84
	-21.8	-22	115.0	53.96	115.0	53.92	114.3	52.65	114.3	53.85	114.3	54.25	112.0	53.79
	-19.8	-20	120.8	53.92	120.8	53.89	120.0	53.64	120.0	53.80	120.0	53.92	117.6	53.75
	-18.8	-19	123.2	53.90	122.4	53.87	122.4	53.85	122.4	53.78	122.4	53.75	119.9	52.85
	-16.7	-17	127.4	53.88	127.4	53.83	127.4	54.25	126.7	53.75	126.7	51.89	124.1	50.97
	-13.7	-15	135.3	53.81	135.3	53.78	134.6	53.75	134.6	51.03	134.6	49.22	131.8	48.27
	-11.8	-13	139.5	53.79	138.8	53.75	138.8	51.91	138.8	49.30	138.8	47.54	131.8	46.57
	-9.8	-11	144.1	53.75	144.1	51.68	143.4	49.98	143.4	47.49	141.6	45.77	131.8	44.77
	-9.5	-10	144.9	53.42	144.9	51.37	144.2	49.69	144.2	47.23	141.6	45.50	131.8	44.51
	-8.5	-9.1	147.8	52.34	147.8	50.34	147.0	48.71	146.4	46.32	141.6	44.62	131.8	43.60
	-7.0	-7.6	154.5	50.69	153.8	48.79	151.2	47.28	146.4	44.95	141.6	43.28	131.8	42.26
	-5.0	-5.6	161.3	48.52	159.7	46.72	151.2	45.34	146.4	43.14	141.6	41.51	131.8	40.47
	-3.0	-3.7	165.9	46.34	160.8	44.66	151.2	43.41	146.4	41.32	141.6	39.74	131.8	38.67
	0.0	-0.7	170.6	43.06	160.8	41.55	151.2	40.49	146.4	38.61	141.6	37.08	131.8	35.97
	3.0	2.2	170.6	39.80	160.8	38.45	151.2	37.60	146.4	35.90	141.6	34.42	131.8	33.29
	5.0	4.1	170.6	37.62	160.8	36.40	151.2	35.67	146.4	34.09	141.6	32.65	131.8	31.48
	7.0	6	170.6	35.44	160.8	34.33	151.2	33.73	146.4	32.28	141.6	30.88	131.8	29.70
	9.0	7.9	170.6	33.59	160.8	32.53	151.2	31.97	146.4	30.59	141.6	29.27	131.8	28.14
11.0	9.8	170.6	32.01	160.8	31.00	151.2	30.46	146.4	29.14	141.6	27.89	131.8	26.81	
13.0	11.8	170.6	30.34	160.8	29.39	151.2	28.88	146.4	27.63	141.6	26.43	131.8	25.43	
15.0	13.7	170.6	28.58	160.8	27.69	151.2	27.21	146.4	26.02	141.6	24.90	131.8	23.95	
90	-24.8	-25	95.1	49.26	95.1	49.86	94.5	50.27	94.5	50.45	94.5	50.84	92.6	51.43
	-21.8	-22	114.5	49.86	114.5	50.44	113.8	50.84	113.8	51.05	113.8	51.43	111.5	49.13
	-19.8	-20	120.3	50.24	120.3	50.83	119.5	51.24	119.5	51.43	119.5	49.85	117.2	47.59
	-18.8	-19	123.2	50.44	122.4	51.02	121.9	51.43	121.9	50.62	121.9	49.05	119.3	46.83
	-16.7	-17	127.4	50.84	127.4	51.43	126.9	49.73	126.9	48.89	126.9	47.39	120.5	45.20
	-13.7	-15	135.3	51.43	135.3	48.89	134.1	47.31	133.9	46.45	129.8	45.03	120.5	42.90
	-11.8	-13	139.5	49.69	138.8	47.29	138.2	45.76	134.1	44.89	129.8	43.51	120.5	41.44
	-9.8	-11	144.1	47.84	144.1	45.60	138.3	44.14	134.1	43.25	129.8	41.93	120.5	39.91
	-9.5	-10	144.9	47.57	144.9	45.35	138.3	43.91	134.1	43.01	129.8	41.69	120.5	39.67
	-8.5	-9.1	147.8	46.65	146.6	44.49	138.3	43.09	134.1	42.18	129.8	40.90	120.5	38.91
	-7.0	-7.6	154.5	45.27	146.9	43.23	138.3	41.87	134.1	40.96	129.8	39.71	120.5	37.75
	-5.0	-5.6	156.2	43.43	146.9	41.53	138.3	40.26	134.1	39.32	129.8	38.13	120.5	36.21
	-3.0	-3.7	156.2	41.60	146.9	39.84	138.3	38.64	134.1	37.68	129.8	36.55	120.5	34.68
	0.0	-0.7	156.2	38.83	146.9	37.31	138.3	36.21	134.1	35.23	129.8	34.17	120.5	32.38
	3.0	2.2	156.2	36.06	146.9	34.78	138.3	33.79	134.1	32.78	129.8	31.79	120.5	30.07
	5.0	4.1	156.2	34.23	146.9	33.08	138.3	32.16	134.1	31.14	129.8	30.21	120.5	28.53
	7.0	6	156.2	32.39	146.9	31.39	138.3	30.54	134.1	29.51	129.8	28.63	120.5	26.99
	9.0	7.9	156.2	30.68	146.9	29.73	138.3	28.93	134.1	27.94	129.8	27.10	120.5	25.56
11.0	9.8	156.2	28.95	146.9	28.06	138.3	27.31	134.1	26.38	129.8	25.59	120.5	24.14	
13.0	11.8	156.2	27.24	146.9	26.40	138.3	25.69	134.1	24.81	129.8	24.08	120.5	22.70	
15.0	13.7	156.2	25.52	146.9	24.74	138.3	24.07	134.1	23.26	129.8	22.55	120.5	21.27	
80	-24.8	-25	94.7	43.44	94.7	44.02	94.1	44.43	94.1	44.63	94.1	45.61	92.1	43.58
	-21.8	-22	113.4	44.02	113.4	44.60	113.4	45.03	113.4	45.61	113.4	43.58	107.7	41.63
	-19.8	-20	119.0	44.42	119.0	45.00	119.0	45.61	118.7	44.17	115.7	42.22	107.7	40.34
	-18.8	-19	121.4	44.60	121.4	45.61	121.4	44.87	120.0	43.44	115.7	41.55	107.7	39.69
	-16.7	-17	123.8	45.61	123.8	44.07	123.8	43.33	120.0	41.94	115.7	40.12	107.7	38.34
	-13.7	-15	123.8	43.33	123.8	41.89	123.8	41.14	120.0	39.79	115.7	38.10	107.7	36.39
	-11.8	-13	127.6	41.88	124.3	40.50	123.8	39.75	120.0	38.42	115.7	36.81	107.7	35.16
	-9.8	-11	132.8	40.36	128.9	39.04	123.8	38.29	120.0	36.98	115.7	35.46	107.7	33.88
	-9.5	-10	133.5	40.13	129.5	38.83	123.8	38.08	120.0	36.76	115.7	35.26	107.7	33.68
	-8.5	-9.1	136.1	39.36	131.8	38.09	123.8	37.34	120.0	36.05	115.7	34.58	107.7	33.04
	-7.0	-7.6	139.8	38.23	131.8	36.99	123.8	36.24	120.0	34.97	115.7	33.56	107.7	32.06
	-5.0	-5.6	139.8	36.71	131.8	35.53	123.8	34.78	120.0	33.53	115.7	32.22	107.7	30.77
	-3.0	-3.7	139.8	35.18	131.8	34.09	123.8	33.31	120.0	32.09	115.7	30.86	107.7	29.48
	0.0	-0.7	139.8	32.91	131.8	31.89	123.8	31.12	120.0	29.94	115.7	28.83	107.7	27.54
	3.0	2.2	139.8	30.63	131.8	29.70	123.8	28.91	120.0	27.79	115.7	26.79	107.7	25.59
	5.0	4.1	139.8	29.11	131.8	28.24	123.8	27.46	120.0	26.35	115.7	25.44	107.7	24.31
	7.0	6	139.8	27.59	131.8	26.78	123.8	25.99	120.0	24.92	115.7	24.10	107.7	23.01
	9.0	7.9	139.8	25.90	131.8	25.15	123.8	24.40	120.0	23.39	115.7	22.62	107.7	21.60
11.0	9.8	139.8	24.04	131.8	23.34	123.8	22.65	120.0	21.71	115.7	21.00	107.7	20.05	
13.0	11.8	139.8	22.44	131.8	21.78	123.8	21.14	120.0	20.27	115.7	19.59	107.7	18.71	
15.0	13.7	139.8	21.12	131.8	20.51	123.8	19.91	120.0	19.08	115.7	18.46	107.7	17.62	

Notes:

1. TC: Total Capacity(kW) PI : Power Input(kW)(Comp. + Outdoor fan motor)
2. Capacity tables show the average value of conditions which may occur.
3. ■■■ is shown as reference. When selecting the outdoor units, avoid the outdoor air temperature range shown by ■■■ .

7. Capacity Tables

Heating Capacity(48HP)

Combination (%)	Outdoor air temp		Indoor air temp. °C DB											
			16		18		20		21		22		24	
	°C DB	°C WB	TC	PI	TC	PI	TC	PI	TC	PI	TC	PI	TC	PI
70	-24.8	-25	94.7	43.37	94.7	43.56	94.1	43.96	94.1	44.54	94.1	42.35	91.2	40.30
	-21.8	-22	106.1	43.96	106.1	44.15	105.3	44.54	101.8	42.35	98.7	40.30	92.1	38.32
	-19.8	-20	113.6	44.34	112.0	44.54	105.3	43.00	101.8	40.88	98.7	38.93	92.1	37.01
	-18.8	-19	116.9	44.54	112.0	43.73	105.3	42.22	101.8	40.14	98.7	38.24	92.1	36.35
	-16.7	-17	118.6	42.86	112.0	42.06	105.3	40.60	101.8	38.62	98.7	36.82	92.1	34.97
	-13.7	-15	118.6	40.49	112.0	39.65	105.3	38.28	101.8	36.42	98.7	34.76	92.1	33.00
	-11.8	-13	118.6	38.97	112.0	38.12	105.3	36.80	101.8	35.02	98.7	33.47	92.1	31.76
	-9.8	-11	118.6	37.38	112.0	36.52	105.3	35.27	101.8	33.57	98.7	32.11	92.1	30.45
	-9.5	-10	118.6	37.14	112.0	36.28	105.3	35.03	101.8	33.34	98.7	31.90	92.1	30.24
	-8.5	-9.1	118.6	36.35	112.0	35.47	105.3	34.26	101.8	32.61	98.7	31.22	92.1	29.59
	-7.0	-7.6	118.6	35.16	112.0	34.29	105.3	33.10	101.8	31.51	98.7	30.19	92.1	28.60
	-5.0	-5.6	118.6	33.57	112.0	32.68	105.3	31.55	101.8	30.06	98.7	28.83	92.1	27.28
	-3.0	-3.7	118.6	31.97	112.0	31.08	105.3	30.01	101.8	28.60	98.7	27.46	92.1	25.97
	0.0	-0.7	118.6	29.58	112.0	28.67	105.3	27.70	101.8	26.40	98.7	25.41	92.1	24.00
	3.0	2.2	118.6	27.20	112.0	26.26	105.3	25.38	101.8	24.20	98.7	23.37	92.1	22.03
	5.0	4.1	118.6	25.61	112.0	24.66	105.3	23.83	101.8	22.74	98.7	22.00	92.1	20.72
	7.0	6	118.6	24.01	112.0	23.06	105.3	22.28	101.8	21.28	98.7	20.64	92.1	19.40
9.0	7.9	118.6	21.69	112.0	20.83	105.3	20.12	101.8	19.21	98.7	18.64	92.1	17.52	
11.0	9.8	118.6	20.19	112.0	19.39	105.3	18.74	101.8	17.89	98.7	17.35	92.1	16.31	
13.0	11.8	118.6	18.90	112.0	18.14	105.3	17.53	101.8	16.74	98.7	16.23	92.1	15.26	
15.0	13.7	118.6	17.82	112.0	17.09	105.3	16.53	101.8	15.77	98.7	15.30	92.1	14.38	
60	-24.8	-25	90.9	42.91	90.9	43.31	90.3	43.89	87.3	41.54	84.3	39.35	78.9	37.29
	-21.8	-22	97.4	43.49	96.3	43.89	90.3	41.54	87.3	39.35	84.3	37.29	78.9	35.31
	-19.8	-20	101.8	43.89	96.3	42.23	90.3	39.98	87.3	37.88	84.3	35.92	78.9	33.99
	-18.8	-19	101.8	43.04	96.3	41.39	90.3	39.19	87.3	37.15	84.3	35.22	78.9	33.33
	-16.7	-17	101.8	41.28	96.3	39.65	90.3	37.55	87.3	35.62	84.3	33.79	78.9	31.95
	-13.7	-15	101.8	38.74	96.3	37.15	90.3	35.22	87.3	33.42	84.3	31.73	78.9	29.96
	-11.8	-13	101.8	37.15	96.3	35.58	90.3	33.72	87.3	32.03	84.3	30.44	78.9	28.71
	-9.8	-11	101.8	35.47	96.3	33.92	90.3	32.15	87.3	30.57	84.3	29.06	78.9	27.40
	-9.5	-10	101.8	35.20	96.3	33.67	90.3	31.93	87.3	30.35	84.3	28.86	78.9	27.21
	-8.5	-9.1	101.8	34.36	96.3	32.84	90.3	31.14	87.3	29.63	84.3	28.17	78.9	26.53
	-7.0	-7.6	101.8	33.10	96.3	31.59	90.3	29.97	87.3	28.53	84.3	27.14	78.9	25.55
	-5.0	-5.6	101.8	31.42	96.3	29.93	90.3	28.41	87.3	27.06	84.3	25.77	78.9	24.23
	-3.0	-3.7	101.8	29.73	96.3	28.27	90.3	26.85	87.3	25.60	84.3	24.41	78.9	22.91
	0.0	-0.7	101.8	27.21	96.3	25.77	90.3	24.50	87.3	23.41	84.3	22.34	78.9	20.94
	3.0	2.2	101.8	24.67	96.3	23.29	90.3	22.15	87.3	21.21	84.3	20.28	78.9	18.95
	5.0	4.1	101.8	22.99	96.3	21.62	90.3	20.60	87.3	19.75	84.3	18.91	78.9	17.63
	7.0	6	101.8	21.30	96.3	19.96	90.3	19.03	87.3	18.29	84.3	17.54	78.9	16.32
9.0	7.9	101.8	19.01	96.3	17.80	90.3	16.98	87.3	16.32	84.3	15.65	78.9	14.56	
11.0	9.8	101.8	17.75	96.3	16.64	90.3	15.86	87.3	15.24	84.3	14.61	78.9	13.59	
13.0	11.8	101.8	16.64	96.3	15.58	90.3	14.85	87.3	14.27	84.3	13.70	78.9	12.73	
15.0	13.7	101.8	15.72	96.3	14.72	90.3	14.04	87.3	13.49	84.3	12.94	78.9	12.04	
50	-24.8	-25	84.9	37.28	80.1	37.85	75.3	35.81	72.9	33.89	70.4	32.08	65.6	30.41
	-21.8	-22	84.9	37.85	80.1	35.81	75.3	33.89	72.9	32.08	70.4	30.41	65.6	28.79
	-19.8	-20	84.9	36.42	80.1	34.44	75.3	32.61	72.9	30.87	70.4	29.28	65.6	27.72
	-18.8	-19	84.9	35.70	80.1	33.76	75.3	31.97	72.9	30.28	70.4	28.72	65.6	27.18
	-16.7	-17	84.9	34.20	80.1	32.32	75.3	30.63	72.9	29.01	70.4	27.54	65.6	26.04
	-13.7	-15	84.9	32.05	80.1	30.26	75.3	28.72	72.9	27.20	70.4	25.87	65.6	24.44
	-11.8	-13	84.9	30.69	80.1	28.96	75.3	27.51	72.9	26.06	70.4	24.80	65.6	23.41
	-9.8	-11	84.9	29.25	80.1	27.59	75.3	26.23	72.9	24.86	70.4	23.68	65.6	22.34
	-9.5	-10	84.9	29.03	80.1	27.39	75.3	26.03	72.9	24.67	70.4	23.52	65.6	22.19
	-8.5	-9.1	84.9	28.31	80.1	26.70	75.3	25.39	72.9	24.06	70.4	22.96	65.6	21.65
	-7.0	-7.6	84.9	27.24	80.1	25.68	75.3	24.44	72.9	23.17	70.4	22.10	65.6	20.84
	-5.0	-5.6	84.9	25.80	80.1	24.31	75.3	23.16	72.9	21.96	70.4	21.00	65.6	19.75
	-3.0	-3.7	84.9	24.37	80.1	22.94	75.3	21.90	72.9	20.76	70.4	19.88	65.6	18.68
	0.0	-0.7	84.9	22.22	80.1	20.89	75.3	19.97	72.9	18.95	70.4	18.19	65.6	17.07
	3.0	2.2	84.9	20.06	80.1	18.83	75.3	18.06	72.9	17.13	70.4	16.52	65.6	15.46
	5.0	4.1	84.9	18.62	80.1	17.47	75.3	16.78	72.9	15.93	70.4	15.40	65.6	14.39
	7.0	6	84.9	17.19	80.1	16.09	75.3	15.50	72.9	14.72	70.4	14.27	65.6	13.32
9.0	7.9	84.9	15.52	80.1	14.54	75.3	14.00	72.9	13.29	70.4	12.88	65.6	12.02	
11.0	9.8	84.9	14.53	80.1	13.59	75.3	13.09	72.9	12.45	70.4	12.06	65.6	11.24	
13.0	11.8	84.9	13.64	80.1	12.77	75.3	12.29	72.9	11.68	70.4	11.32	65.6	10.56	
15.0	13.7	84.9	12.90	80.1	12.08	75.3	11.63	72.9	11.06	70.4	10.72	65.6	10.00	

Notes:

1. TC: Total Capacity(kW) PI : Power Input(kW)(Comp. + Outdoor fan motor)
2. Capacity tables show the average value of conditions which may occur.
3. ■■■ is shown as reference. When selecting the outdoor units, avoid the outdoor air temperature range shown by ■■■.

7. Capacity Tables

ARUB500LTE4

Heating Capacity(50HP)

Outdoor Units

Combination (%)	Outdoor air temp		Indoor air temp. °C DB											
			16		18		20		21		22		24	
	°C DB	°C WB	TC	PI	TC	PI	TC	PI	TC	PI	TC	PI	TC	PI
130	-24.8	-25	99.4	52.8	99.4	53.03	98.6	53.24	98.6	53.55	98.6	53.86	96.7	54.32
	-21.8	-22	120.7	53.27	120.7	53.51	120.0	53.72	120.0	54.03	120.0	54.32	117.6	54.80
	-19.8	-20	127.5	53.58	127.5	53.82	126.5	54.03	126.5	54.35	126.5	54.64	124.1	55.12
	-18.8	-19	130.0	53.73	130.0	53.97	129.2	54.18	129.2	54.49	129.2	54.80	126.5	55.28
	-16.7	-17	135.5	54.07	135.5	54.31	134.7	54.52	134.7	54.84	134.7	55.14	132.0	55.61
	-13.7	-15	143.4	54.55	143.4	54.80	142.7	55.00	142.7	55.32	142.7	55.61	139.7	53.42
	-11.8	-13	148.1	54.84	148.1	55.08	147.1	55.29	147.1	55.61	147.1	55.92	144.6	52.01
	-9.8	-11	152.7	55.18	152.7	55.40	151.9	55.61	151.9	55.92	151.9	56.24	149.6	50.55
	-9.5	-10	153.7	55.22	153.7	55.46	152.7	55.67	152.7	55.98	152.7	56.29	150.4	50.33
	-8.5	-9.1	156.7	55.38	156.7	55.61	155.7	55.82	155.7	56.13	155.7	56.44	153.0	49.60
	-7.0	-7.6	161.2	55.61	161.2	55.84	160.2	56.05	160.2	56.36	160.2	56.67	156.8	48.49
	-5.0	-5.6	167.0	56.04	167.0	56.28	166.0	56.51	166.0	56.82	166.0	57.13	161.9	47.01
	-3.0	-3.7	173.1	56.45	173.1	56.69	172.0	56.92	172.0	57.23	172.0	57.54	167.0	45.56
	0.0	-0.7	181.9	56.86	181.9	57.13	180.9	57.36	180.9	57.67	180.9	57.98	174.7	43.35
	3.0	2.2	190.9	57.27	190.9	57.50	189.7	57.73	189.7	58.04	189.7	58.35	177.4	41.15
	5.0	4.1	196.9	57.68	196.9	57.91	195.7	58.14	195.7	58.45	195.7	58.76	177.8	39.67
	7.0	6	202.7	58.09	202.7	58.32	201.5	58.55	201.5	58.86	201.5	59.17	177.8	38.20
	9.0	7.9	203.5	58.50	203.5	58.73	203.0	59.04	203.0	59.35	203.0	59.66	177.8	37.08
11.0	9.8	203.5	58.91	203.5	59.14	203.0	59.45	203.0	59.76	203.0	60.07	177.8	36.25	
13.0	11.8	203.5	59.32	203.5	59.55	203.0	59.86	203.0	60.17	203.0	60.48	177.8	35.39	
15.0	13.7	203.5	59.73	203.5	59.96	203.0	60.27	203.0	60.58	203.0	60.89	177.8	34.46	
120	-24.8	-25	98.6	53.03	98.6	53.24	97.9	53.55	97.9	53.86	97.9	54.17	96.0	54.66
	-21.8	-22	120.0	53.51	120.0	53.72	119.2	54.03	119.2	54.32	119.2	54.64	116.8	55.14
	-19.8	-20	126.5	53.82	126.5	54.03	125.8	54.35	125.8	54.64	125.8	54.95	123.1	55.46
	-18.8	-19	129.2	53.97	129.2	54.18	128.4	54.49	128.4	54.80	128.4	55.11	125.7	55.61
	-16.7	-17	134.7	54.31	134.7	54.52	133.7	54.84	133.7	55.14	133.7	55.45	131.0	54.19
	-13.7	-15	142.4	54.80	142.4	55.00	141.7	55.32	141.7	55.61	141.7	55.92	138.7	52.17
	-11.8	-13	147.1	55.08	147.1	55.29	146.1	55.61	146.1	55.92	146.1	56.23	143.6	50.89
	-9.8	-11	151.7	55.40	151.7	55.61	150.7	55.92	150.7	56.23	150.7	56.54	148.6	49.55
	-9.5	-10	152.7	55.46	152.7	55.67	151.7	55.98	151.7	56.29	151.7	56.60	149.3	49.33
	-8.5	-9.1	155.5	55.61	155.5	55.82	154.7	56.13	154.7	56.44	154.7	56.75	152.0	48.65
	-7.0	-7.6	160.0	56.04	160.0	56.28	159.0	56.51	159.0	56.82	159.0	57.13	156.6	47.64
	-5.0	-5.6	166.0	56.45	166.0	56.69	164.8	56.92	164.8	57.23	164.8	57.54	160.9	46.30
	-3.0	-3.7	171.8	56.86	171.8	57.10	170.8	57.33	170.8	57.64	170.8	57.95	165.9	44.94
	0.0	-0.7	180.6	57.27	180.6	57.50	179.6	57.73	179.6	58.04	179.6	58.35	167.0	42.92
	3.0	2.2	189.6	57.68	189.6	57.91	188.4	58.14	188.4	58.45	188.4	58.76	167.0	40.90
	5.0	4.1	195.5	58.09	195.5	58.32	192.0	58.55	192.0	58.86	192.0	59.17	167.0	39.54
	7.0	6	201.4	58.50	201.4	58.73	192.0	59.04	192.0	59.35	192.0	59.66	167.0	38.20
	9.0	7.9	202.0	58.91	202.0	59.14	192.0	59.45	192.0	59.76	192.0	60.07	167.0	36.98
11.0	9.8	202.0	59.32	202.0	59.55	192.0	59.86	192.0	60.17	192.0	60.48	167.0	36.09	
13.0	11.8	202.0	59.73	202.0	59.96	192.0	60.27	192.0	60.58	192.0	60.89	167.0	35.12	
15.0	13.7	202.0	60.14	202.0	60.37	192.0	60.68	192.0	61.09	192.0	61.40	167.0	34.09	
110	-24.8	-25	98.1	53.24	98.1	53.55	97.4	53.86	97.4	54.17	97.4	54.48	95.5	54.83
	-21.8	-22	119.2	53.72	119.2	54.03	118.5	54.32	118.5	54.64	118.5	54.95	116.1	55.29
	-19.8	-20	125.8	54.03	125.8	54.35	125.0	54.64	125.0	54.95	125.0	55.26	122.4	55.61
	-18.8	-19	128.4	54.18	128.4	54.49	127.7	54.80	127.7	55.11	127.7	55.42	125.0	54.88
	-16.7	-17	134.0	54.52	134.0	54.84	133.0	55.14	133.0	55.45	133.0	55.76	130.3	53.32
	-13.7	-15	141.7	55.00	141.7	55.32	140.7	55.61	140.7	55.92	140.7	56.23	140.7	51.07
	-11.8	-13	146.1	55.29	146.1	55.61	145.3	55.92	145.3	56.23	145.3	56.54	145.3	49.67
	-9.8	-11	150.9	55.61	150.9	55.92	150.0	56.23	150.0	56.54	150.0	56.85	148.6	48.19
	-9.5	-10	151.7	55.67	151.7	55.98	150.9	56.29	150.9	56.60	150.9	56.91	150.0	47.96
	-8.5	-9.1	154.7	55.82	154.7	56.13	153.7	56.44	153.7	56.75	153.7	57.06	150.3	47.23
	-7.0	-7.6	159.2	56.24	159.2	56.47	158.2	56.78	158.2	57.09	158.2	57.40	150.3	46.10
	-5.0	-5.6	165.0	56.65	165.0	56.88	164.0	57.19	164.0	57.50	164.0	57.81	150.3	44.62
	-3.0	-3.7	170.8	57.06	170.8	57.29	169.8	57.60	169.8	57.91	169.8	58.22	150.3	43.13
	0.0	-0.7	179.6	57.47	179.6	57.70	172.2	58.01	172.2	58.32	172.2	58.63	150.3	40.90
	3.0	2.2	188.4	57.88	188.4	58.11	172.2	58.42	172.2	58.73	172.2	59.04	150.3	38.67
	5.0	4.1	194.2	58.29	183.5	58.52	172.2	58.94	166.5	59.25	166.5	59.56	150.3	37.19
	7.0	6	194.2	58.70	183.5	58.93	172.2	59.35	166.5	59.66	166.5	59.97	150.3	35.69
	9.0	7.9	194.2	59.11	183.5	59.34	172.2	59.76	166.5	60.07	166.5	60.38	150.3	34.42
11.0	9.8	194.2	59.52	183.5	59.75	172.2	60.17	166.5	60.48	166.5	60.79	150.3	33.41	
13.0	11.8	194.2	59.93	183.5	60.16	172.2	60.58	166.5	60.89	166.5	61.20	150.3	32.36	
15.0	13.7	194.2	60.34	183.5	60.57	172.2	61.09	166.5	61.60	166.5	61.91	150.3	31.24	

Notes:

1. TC: Total Capacity(kW) PI : Power Input(kW)(Comp. + Outdoor fan motor)
2. Capacity tables show the average value of conditions which may occur.
3. ■ is shown as reference. When selecting the outdoor units, avoid the outdoor air temperature range shown by ■ .

7. Capacity Tables

Heating Capacity(50HP)

Combination (%)	Outdoor air temp		Indoor air temp. °C DB											
			16		18		20		21		22		24	
	°C DB	°C WB	TC	PI	TC	PI	TC	PI	TC	PI	TC	PI	TC	PI
100	-24.8	-25	97.6	57.70	97.6	57.42	97.1	53.44	97.1	56.73	97.1	56.45	95.0	56.31
	-21.8	-22	118.7	57.28	118.7	56.99	118.0	55.13	118.0	56.33	118.0	56.65	115.6	55.89
	-19.8	-20	125.3	56.99	125.3	56.73	124.5	56.16	124.5	56.04	124.5	55.97	121.9	55.61
	-18.8	-19	127.9	56.85	127.1	56.59	127.1	56.33	127.1	55.90	127.1	55.61	124.5	54.71
	-16.7	-17	132.5	56.58	132.5	56.29	132.5	56.65	131.7	55.61	131.7	53.75	129.0	52.82
	-13.7	-15	140.9	56.15	140.9	55.87	140.2	55.61	140.2	52.91	140.2	51.08	137.3	50.11
	-11.8	-13	145.3	55.89	144.6	55.61	144.6	53.78	144.6	51.18	144.6	49.39	137.3	48.40
	-9.8	-11	150.2	55.61	150.2	53.56	149.4	51.87	149.4	49.37	147.5	47.62	137.3	46.60
	-9.5	-10	151.0	55.28	151.0	53.26	150.2	51.58	150.2	49.11	147.5	47.35	137.3	46.34
	-8.5	-9.1	154.0	54.22	154.0	52.24	153.2	50.61	152.5	48.20	147.5	46.48	137.3	45.42
	-7.0	-7.6	161.0	52.59	160.2	50.70	157.5	49.19	152.5	46.84	147.5	45.13	137.3	44.08
	-5.0	-5.6	168.0	50.45	166.3	48.65	157.5	47.26	152.5	45.03	147.5	43.36	137.3	42.29
	-3.0	-3.7	172.8	48.30	167.5	46.61	157.5	45.35	152.5	43.22	147.5	41.59	137.3	40.47
	0.0	-0.7	177.7	45.07	167.5	43.53	157.5	42.45	152.5	40.51	147.5	38.92	137.3	37.76
	3.0	2.2	177.7	41.86	167.5	40.46	157.5	39.58	152.5	37.82	147.5	36.27	137.3	35.08
	5.0	4.1	177.7	39.70	167.5	38.42	157.5	37.67	152.5	36.01	147.5	34.50	137.3	33.26
	7.0	6	177.7	37.55	167.5	36.37	157.5	35.74	152.5	34.20	147.5	32.72	137.3	31.47
	9.0	7.9	177.7	35.92	167.5	34.78	157.5	34.18	152.5	32.70	147.5	31.29	137.3	30.09
11.0	9.8	177.7	34.57	167.5	33.48	157.5	32.89	152.5	31.47	147.5	30.12	137.3	28.96	
13.0	11.8	177.7	33.14	167.5	32.11	157.5	31.55	152.5	30.19	147.5	28.88	137.3	27.78	
15.0	13.7	177.7	31.64	167.5	30.65	157.5	30.12	152.5	28.80	147.5	27.57	137.3	26.51	
90	-24.8	-25	97.3	51.94	97.3	52.43	96.6	52.77	96.6	52.91	96.6	53.23	94.7	53.71
	-21.8	-22	118.2	52.43	118.2	52.91	117.5	53.23	117.5	53.40	117.5	53.71	115.1	51.34
	-19.8	-20	124.8	52.74	124.8	53.22	124.0	53.56	124.0	53.71	124.0	52.10	121.6	49.76
	-18.8	-19	127.9	52.91	127.1	53.37	126.6	53.71	126.6	52.88	126.6	51.27	123.9	48.99
	-16.7	-17	132.5	53.23	132.5	53.71	132.0	51.98	132.0	51.11	132.0	49.56	125.5	47.31
	-13.7	-15	140.9	53.71	140.9	51.12	139.7	49.50	139.5	48.61	135.2	47.15	125.5	44.94
	-11.8	-13	145.3	51.94	144.6	49.49	144.0	47.91	139.7	47.02	135.2	45.59	125.5	43.44
	-9.8	-11	150.2	50.05	150.2	47.76	144.0	46.26	139.7	45.33	135.2	43.98	125.5	41.87
	-9.5	-10	151.0	49.78	151.0	47.50	144.0	46.03	139.7	45.09	135.2	43.72	125.5	41.63
	-8.5	-9.1	154.0	48.84	152.7	46.63	144.0	45.19	139.7	44.24	135.2	42.92	125.5	40.84
	-7.0	-7.6	161.0	47.44	153.0	45.34	144.0	43.94	139.7	42.99	135.2	41.70	125.5	39.65
	-5.0	-5.6	162.7	45.57	153.0	43.61	144.0	42.29	139.7	41.32	135.2	40.07	125.5	38.07
	-3.0	-3.7	162.7	43.70	153.0	41.88	144.0	40.64	139.7	39.63	135.2	38.46	125.5	36.50
	0.0	-0.7	162.7	40.88	153.0	39.31	144.0	38.16	139.7	37.13	135.2	36.02	125.5	34.13
	3.0	2.2	162.7	38.06	153.0	36.72	144.0	35.68	139.7	34.61	135.2	33.58	125.5	31.77
	5.0	4.1	162.7	36.19	153.0	34.99	144.0	34.01	139.7	32.94	135.2	31.95	125.5	30.18
	7.0	6	162.7	34.32	153.0	33.26	144.0	32.36	139.7	31.26	135.2	30.34	125.5	28.60
	9.0	7.9	162.7	32.57	153.0	31.56	144.0	30.72	139.7	29.66	135.2	28.77	125.5	27.14
11.0	9.8	162.7	30.81	153.0	29.86	144.0	29.05	139.7	28.07	135.2	27.23	125.5	25.68	
13.0	11.8	162.7	29.06	153.0	28.16	144.0	27.40	139.7	26.47	135.2	25.69	125.5	24.21	
15.0	13.7	162.7	27.29	153.0	26.46	144.0	25.75	139.7	24.88	135.2	24.12	125.5	22.75	
80	-24.8	-25	96.9	45.87	96.9	46.33	96.3	46.67	96.3	46.84	96.3	47.64	94.2	45.55
	-21.8	-22	117.0	46.33	117.0	46.81	117.0	47.16	117.0	47.64	117.0	45.55	112.2	43.54
	-19.8	-20	123.5	46.67	123.5	47.13	123.5	47.64	123.2	46.16	120.5	44.15	112.2	42.21
	-18.8	-19	126.1	46.81	126.1	47.64	126.1	46.88	125.0	45.41	120.5	43.46	112.2	41.54
	-16.7	-17	129.0	47.64	129.0	46.05	129.0	45.30	125.0	43.86	120.5	41.99	112.2	40.15
	-13.7	-15	129.0	45.31	129.0	43.83	129.0	43.06	125.0	41.66	120.5	39.92	112.2	38.14
	-11.8	-13	132.4	43.82	129.1	42.40	129.0	41.63	125.0	40.26	120.5	38.60	112.2	36.88
	-9.8	-11	138.1	42.27	134.1	40.91	129.0	40.13	125.0	38.78	120.5	37.21	112.2	35.57
	-9.5	-10	138.8	42.04	134.8	40.70	129.0	39.92	125.0	38.55	120.5	37.00	112.2	35.36
	-8.5	-9.1	141.6	41.25	137.3	39.94	129.0	39.16	125.0	37.83	120.5	36.30	112.2	34.70
	-7.0	-7.6	145.7	40.10	137.3	38.82	129.0	38.04	125.0	36.71	120.5	35.25	112.2	33.69
	-5.0	-5.6	145.7	38.55	137.3	37.33	129.0	36.54	125.0	35.24	120.5	33.88	112.2	32.36
	-3.0	-3.7	145.7	36.98	137.3	35.85	129.0	35.03	125.0	33.76	120.5	32.48	112.2	31.04
	0.0	-0.7	145.7	34.67	137.3	33.60	129.0	32.79	125.0	31.56	120.5	30.39	112.2	29.04
	3.0	2.2	145.7	32.34	137.3	31.36	129.0	30.53	125.0	29.34	120.5	28.30	112.2	27.03
	5.0	4.1	145.7	30.78	137.3	29.87	129.0	29.05	125.0	27.88	120.5	26.91	112.2	25.72
	7.0	6	145.7	29.23	137.3	28.38	129.0	27.54	125.0	26.41	120.5	25.54	112.2	24.38
	9.0	7.9	145.7	27.44	137.3	26.65	129.0	25.85	125.0	24.79	120.5	23.97	112.2	22.89
11.0	9.8	145.7	25.47	137.3	24.74	129.0	24.00	125.0	23.01	120.5	22.26	112.2	21.25	
13.0	11.8	145.7	23.78	137.3	23.08	129.0	22.40	125.0	21.47	120.5	20.76	112.2	19.82	
15.0	13.7	145.7	22.38	137.3	21.73	129.0	21.10	125.0	20.21	120.5	19.56	112.2	18.67	

Notes:

1. TC: Total Capacity(kW) PI : Power Input(kW)(Comp. + Outdoor fan motor)
2. Capacity tables show the average value of conditions which may occur.
3. ■■■ is shown as reference. When selecting the outdoor units, avoid the outdoor air temperature range shown by ■■■ .

7. Capacity Tables

Heating Capacity(50HP)

Combination (%)	Outdoor air temp		Indoor air temp. °C DB											
			16		18		20		21		22		24	
	°C DB	°C WB	TC	PI	TC	PI	TC	PI	TC	PI	TC	PI	TC	PI
70	-24.8	-25	96.9	45.56	96.9	45.72	96.3	46.04	96.3	46.52	96.3	44.26	94.2	42.14
	-21.8	-22	110.5	46.04	110.5	46.20	109.7	46.52	106.0	44.26	102.8	42.14	96.0	40.10
	-19.8	-20	119.6	46.35	116.7	46.52	109.7	44.93	106.0	42.75	102.8	40.73	96.0	38.75
	-18.8	-19	123.1	46.52	116.7	45.69	109.7	44.13	106.0	41.98	102.8	40.02	96.0	38.06
	-16.7	-17	123.5	44.79	116.7	43.97	109.7	42.46	106.0	40.42	102.8	38.56	96.0	36.64
	-13.7	-15	123.5	42.36	116.7	41.49	109.7	40.07	106.0	38.14	102.8	36.43	96.0	34.60
	-11.8	-13	123.5	40.80	116.7	39.92	109.7	38.55	106.0	36.70	102.8	35.10	96.0	33.32
	-9.8	-11	123.5	39.17	116.7	38.27	109.7	36.98	106.0	35.21	102.8	33.70	96.0	31.97
	-9.5	-10	123.5	38.92	116.7	38.02	109.7	36.73	106.0	34.98	102.8	33.49	96.0	31.76
	-8.5	-9.1	123.5	38.11	116.7	37.19	109.7	35.93	106.0	34.22	102.8	32.78	96.0	31.08
	-7.0	-7.6	123.5	36.88	116.7	35.98	109.7	34.74	106.0	33.09	102.8	31.72	96.0	30.06
	-5.0	-5.6	123.5	35.25	116.7	34.33	109.7	33.15	106.0	31.60	102.8	30.32	96.0	28.70
	-3.0	-3.7	123.5	33.61	116.7	32.68	109.7	31.56	106.0	30.09	102.8	28.91	96.0	27.35
	0.0	-0.7	123.5	31.16	116.7	30.20	109.7	29.19	106.0	27.83	102.8	26.79	96.0	25.31
	3.0	2.2	123.5	28.72	116.7	27.73	109.7	26.80	106.0	25.55	102.8	24.69	96.0	23.27
	5.0	4.1	123.5	27.09	116.7	26.08	109.7	25.20	106.0	24.06	102.8	23.28	96.0	21.92
	7.0	6	123.5	25.44	116.7	24.43	109.7	23.61	106.0	22.55	102.8	21.87	96.0	20.55
	9.0	7.9	123.5	22.98	116.7	22.07	109.7	21.32	106.0	20.35	102.8	19.75	96.0	18.57
11.0	9.8	123.5	21.39	116.7	20.55	109.7	19.85	106.0	18.96	102.8	18.38	96.0	17.29	
13.0	11.8	123.5	20.02	116.7	19.22	109.7	18.57	106.0	17.73	102.8	17.20	96.0	16.16	
15.0	13.7	123.5	18.88	116.7	18.11	109.7	17.51	106.0	16.71	102.8	16.21	96.0	15.24	
60	-24.8	-25	94.7	45.10	94.7	45.44	94.0	45.90	91.0	43.48	87.8	41.20	82.2	39.07
	-21.8	-22	101.5	45.58	100.3	45.90	94.0	43.48	91.0	41.20	87.8	39.07	82.2	37.01
	-19.8	-20	106.0	45.90	100.3	44.19	94.0	41.86	91.0	39.68	87.8	37.65	82.2	35.64
	-18.8	-19	106.0	45.03	100.3	43.32	94.0	41.04	91.0	38.92	87.8	36.92	82.2	34.96
	-16.7	-17	106.0	43.21	100.3	41.52	94.0	39.34	91.0	37.34	87.8	35.43	82.2	33.52
	-13.7	-15	106.0	40.58	100.3	38.94	94.0	36.93	91.0	35.06	87.8	33.30	82.2	31.45
	-11.8	-13	106.0	38.95	100.3	37.31	94.0	35.38	91.0	33.62	87.8	31.96	82.2	30.16
	-9.8	-11	106.0	37.21	100.3	35.59	94.0	33.75	91.0	32.10	87.8	30.54	82.2	28.80
	-9.5	-10	106.0	36.93	100.3	35.33	94.0	33.52	91.0	31.87	87.8	30.32	82.2	28.60
	-8.5	-9.1	106.0	36.06	100.3	34.47	94.0	32.71	91.0	31.13	87.8	29.61	82.2	27.89
	-7.0	-7.6	106.0	34.76	100.3	33.19	94.0	31.49	91.0	29.99	87.8	28.54	82.2	26.88
	-5.0	-5.6	106.0	33.02	100.3	31.46	94.0	29.87	91.0	28.47	87.8	27.12	82.2	25.50
	-3.0	-3.7	106.0	31.28	100.3	29.75	94.0	28.26	91.0	26.95	87.8	25.71	82.2	24.13
	0.0	-0.7	106.0	28.68	100.3	27.16	94.0	25.83	91.0	24.69	87.8	23.56	82.2	22.09
	3.0	2.2	106.0	26.05	100.3	24.59	94.0	23.39	91.0	22.41	87.8	21.43	82.2	20.02
	5.0	4.1	106.0	24.31	100.3	22.86	94.0	21.79	91.0	20.89	87.8	20.01	82.2	18.65
	7.0	6	106.0	22.57	100.3	21.15	94.0	20.16	91.0	19.37	87.8	18.59	82.2	17.29
	9.0	7.9	106.0	20.14	100.3	18.86	94.0	17.99	91.0	17.29	87.8	16.59	82.2	15.43
11.0	9.8	106.0	18.81	100.3	17.63	94.0	16.81	91.0	16.14	87.8	15.48	82.2	14.40	
13.0	11.8	106.0	17.63	100.3	16.50	94.0	15.73	91.0	15.12	87.8	14.52	82.2	13.48	
15.0	13.7	106.0	16.66	100.3	15.60	94.0	14.88	91.0	14.30	87.8	13.72	82.2	12.76	
50	-24.8	-25	88.5	39.07	83.5	39.53	78.5	37.42	76.0	35.43	73.3	33.57	68.3	31.83
	-21.8	-22	88.5	39.53	83.5	37.42	78.5	35.43	76.0	33.57	73.3	31.83	68.3	30.16
	-19.8	-20	88.5	38.05	83.5	36.01	78.5	34.11	76.0	32.31	73.3	30.66	68.3	29.05
	-18.8	-19	88.5	37.31	83.5	35.30	78.5	33.45	76.0	31.70	73.3	30.08	68.3	28.49
	-16.7	-17	88.5	35.77	83.5	33.82	78.5	32.07	76.0	30.38	73.3	28.86	68.3	27.30
	-13.7	-15	88.5	33.55	83.5	31.68	78.5	30.09	76.0	28.52	73.3	27.14	68.3	25.64
	-11.8	-13	88.5	32.14	83.5	30.35	78.5	28.84	76.0	27.33	73.3	26.02	68.3	24.57
	-9.8	-11	88.5	30.66	83.5	28.93	78.5	27.52	76.0	26.09	73.3	24.86	68.3	23.46
	-9.5	-10	88.5	30.43	83.5	28.72	78.5	27.31	76.0	25.89	73.3	24.70	68.3	23.31
	-8.5	-9.1	88.5	29.69	83.5	28.01	78.5	26.65	76.0	25.27	73.3	24.12	68.3	22.75
	-7.0	-7.6	88.5	28.59	83.5	26.96	78.5	25.66	76.0	24.34	73.3	23.23	68.3	21.92
	-5.0	-5.6	88.5	27.10	83.5	25.54	78.5	24.34	76.0	23.09	73.3	22.09	68.3	20.78
	-3.0	-3.7	88.5	25.62	83.5	24.13	78.5	23.04	76.0	21.85	73.3	20.93	68.3	19.67
	0.0	-0.7	88.5	23.40	83.5	22.00	78.5	21.05	76.0	19.97	73.3	19.18	68.3	18.00
	3.0	2.2	88.5	21.17	83.5	19.88	78.5	19.07	76.0	18.09	73.3	17.45	68.3	16.33
	5.0	4.1	88.5	19.69	83.5	18.48	78.5	17.75	76.0	16.85	73.3	16.29	68.3	15.22
	7.0	6	88.5	18.21	83.5	17.05	78.5	16.42	76.0	15.60	73.3	15.12	68.3	14.11
	9.0	7.9	88.5	16.45	83.5	15.41	78.5	14.83	76.0	14.08	73.3	13.65	68.3	12.73
11.0	9.8	88.5	15.39	83.5	14.40	78.5	13.87	76.0	13.19	73.3	12.78	68.3	11.91	
13.0	11.8	88.5	14.45	83.5	13.53	78.5	13.02	76.0	12.37	73.3	11.99	68.3	11.19	
15.0	13.7	88.5	13.67	83.5	12.80	78.5	12.32	76.0	11.72	73.3	11.36	68.3	10.59	

Notes:

1. TC: Total Capacity(kW) PI : Power Input(kW)(Comp. + Outdoor fan motor)
2. Capacity tables show the average value of conditions which may occur.
3. ■ is shown as reference. When selecting the outdoor units, avoid the outdoor air temperature range shown by ■.

7. Capacity Tables

ARUB520LTE4

Heating Capacity(52HP)

Combination (%)	Outdoor air temp		Indoor air temp. °C DB											
			16		18		20		21		22		24	
	°C DB	°C WB	TC	PI	TC	PI	TC	PI	TC	PI	TC	PI	TC	PI
130	-24.8	-25	102.9	54.6	102.9	54.96	102.2	55.27	102.2	55.74	102.2	56.20	100.7	56.90
	-21.8	-22	124.4	55.32	124.4	55.68	123.6	55.99	123.6	56.46	123.6	56.90	121.7	57.63
	-19.8	-20	131.0	55.79	131.0	56.15	130.0	56.46	130.0	56.94	130.0	57.38	128.1	58.10
	-18.8	-19	133.7	56.02	133.7	56.38	132.9	56.69	132.9	57.17	132.9	57.63	130.8	58.35
	-16.7	-17	139.8	56.53	139.8	56.89	139.0	57.20	139.0	57.67	139.0	58.13	136.8	58.84
	-13.7	-15	148.5	57.25	148.5	57.61	147.7	57.92	147.7	58.40	147.7	58.84	145.3	56.57
	-11.8	-13	153.4	57.69	153.4	58.05	152.4	58.36	152.4	58.84	152.4	59.30	150.6	55.10
	-9.8	-11	158.4	58.18	158.4	58.53	157.5	58.84	157.5	57.19	157.5	55.67	155.9	53.59
	-9.5	-10	159.4	58.25	159.4	58.61	158.4	58.60	158.4	56.94	158.3	55.44	156.7	53.37
	-8.5	-9.1	162.7	58.50	162.7	58.84	161.7	57.75	161.7	56.13	160.7	54.62	159.5	52.60
	-7.0	-7.6	167.7	58.84	167.7	57.60	166.6	56.48	166.6	54.89	166.6	53.41	164.2	51.45
	-5.0	-5.6	174.1	57.23	174.1	55.94	173.0	54.79	173.0	53.23	173.0	51.79	169.7	49.92
	-3.0	-3.7	180.7	55.61	180.7	54.27	179.6	53.10	179.6	51.58	179.6	50.16	175.3	48.41
	0.0	-0.7	190.3	53.18	190.3	51.79	189.3	50.55	189.3	49.11	189.3	47.74	183.5	46.12
	3.0	2.2	200.2	50.74	200.2	49.28	198.9	48.01	198.9	46.63	197.4	45.29	184.9	43.83
	5.0	4.1	206.3	49.12	206.3	47.63	205.1	46.33	203.9	44.99	198.6	43.66	184.9	42.31
	7.0	6	210.9	47.50	210.9	45.97	209.7	44.64	205.9	43.33	198.6	42.04	184.9	40.78
9.0	7.9	211.7	46.15	211.7	44.67	211.1	43.38	205.9	42.11	198.6	40.85	184.9	39.64	
11.0	9.8	211.7	45.22	211.7	43.76	211.1	42.49	205.9	41.26	198.6	40.04	184.9	38.82	
13.0	11.8	211.7	44.21	211.7	42.77	211.1	41.53	205.9	40.33	198.6	39.14	184.9	37.95	
15.0	13.7	211.7	43.13	211.7	41.74	211.1	40.51	205.9	39.35	198.6	38.16	184.9	37.03	
120	-24.8	-25	102.2	54.96	102.2	55.27	101.4	55.74	101.4	56.20	101.4	56.90	99.9	57.41
	-21.8	-22	123.6	55.68	123.6	55.99	122.8	56.46	122.8	56.90	122.8	57.63	120.9	58.13
	-19.8	-20	130.0	56.15	130.0	56.46	129.2	56.94	129.2	57.38	129.2	58.10	127.1	58.61
	-18.8	-19	132.9	56.38	132.9	56.69	132.1	57.17	132.1	57.63	132.1	58.35	130.0	58.84
	-16.7	-17	139.0	56.89	139.0	57.20	138.0	57.67	138.0	58.13	138.0	58.84	135.8	57.37
	-13.7	-15	147.4	57.61	147.4	57.92	146.6	58.40	146.6	58.84	146.6	56.65	144.3	55.27
	-11.8	-13	152.3	58.05	152.3	58.36	151.3	58.84	151.3	57.29	151.3	55.25	149.5	53.94
	-9.8	-11	157.3	58.53	157.3	58.84	156.3	57.14	156.3	55.65	156.3	53.80	154.9	52.55
	-9.5	-10	158.4	58.61	158.4	58.57	157.4	56.88	157.4	55.41	157.4	53.58	155.8	52.33
	-8.5	-9.1	161.5	58.84	161.5	57.66	160.6	56.02	160.6	54.59	160.6	52.84	158.8	51.62
	-7.0	-7.6	166.4	57.49	166.4	56.30	165.4	54.73	165.4	53.36	165.2	51.75	162.9	50.57
	-5.0	-5.6	173.0	55.68	173.0	54.48	171.7	53.02	171.7	51.74	171.7	50.28	168.7	49.18
	-3.0	-3.7	179.4	53.85	179.4	52.66	178.3	51.30	178.3	50.09	178.3	48.83	173.7	47.77
	0.0	-0.7	189.0	51.14	189.0	49.95	187.9	48.72	187.9	47.64	186.7	46.64	173.7	45.67
	3.0	2.2	198.9	48.43	198.9	47.22	196.7	46.17	192.9	45.18	186.9	44.45	173.7	43.58
	5.0	4.1	204.7	46.62	204.2	45.40	199.7	44.45	192.9	43.56	186.9	42.97	173.7	42.17
	7.0	6	209.5	44.79	207.8	43.58	199.7	42.73	192.9	41.91	186.9	41.52	173.7	40.78
9.0	7.9	210.1	43.43	207.8	42.25	199.7	41.42	192.9	40.63	186.9	40.25	173.7	39.53	
11.0	9.8	210.1	42.44	207.8	41.29	199.7	40.47	192.9	39.70	186.9	39.32	173.7	38.63	
13.0	11.8	210.1	41.38	207.8	40.27	199.7	39.46	192.9	38.72	186.9	38.34	173.7	37.65	
15.0	13.7	210.1	40.25	207.8	39.14	199.7	38.38	192.9	37.65	186.9	37.30	173.7	36.62	
110	-24.8	-25	101.6	55.27	101.6	55.74	100.9	56.20	100.9	56.90	100.9	57.41	99.4	57.66
	-21.8	-22	122.9	55.99	122.9	56.46	122.1	56.90	122.1	57.63	122.1	58.13	120.2	58.36
	-19.8	-20	129.2	56.46	129.2	56.94	128.5	57.38	128.5	58.10	128.5	58.61	126.3	58.84
	-18.8	-19	132.1	56.69	132.1	57.17	131.3	57.63	131.3	58.35	131.3	58.84	129.2	58.08
	-16.7	-17	138.2	57.20	138.2	57.67	137.2	58.13	137.2	58.84	137.2	57.26	135.0	56.45
	-13.7	-15	146.7	57.92	146.7	58.40	145.6	58.84	145.6	56.44	145.6	54.98	145.6	54.11
	-11.8	-13	151.4	58.36	151.4	58.84	150.5	57.14	150.5	54.92	150.5	53.55	150.5	52.66
	-9.8	-11	156.5	58.84	156.5	56.91	155.5	55.36	155.5	53.31	155.5	52.03	154.7	51.12
	-9.5	-10	157.4	58.52	157.4	56.63	156.6	55.08	156.6	53.06	156.6	51.81	156.0	50.87
	-8.5	-9.1	160.7	57.50	160.7	55.67	159.6	54.20	159.6	52.27	159.6	51.05	156.3	50.11
	-7.0	-7.6	165.6	55.94	165.6	54.22	164.6	52.85	164.6	51.06	164.6	49.92	156.3	48.94
	-5.0	-5.6	172.0	53.86	172.0	52.32	170.9	51.07	170.9	49.46	167.4	48.41	156.3	47.40
	-3.0	-3.7	178.3	51.79	178.3	50.40	177.1	49.26	173.2	47.85	167.4	46.89	156.3	45.84
	0.0	-0.7	188.0	48.67	187.6	47.51	179.1	46.58	173.2	45.45	167.4	44.62	156.3	43.52
	3.0	2.2	197.2	45.56	190.8	44.62	179.1	43.90	173.2	43.04	167.4	42.34	156.3	41.20
	5.0	4.1	202.0	43.49	190.8	42.70	179.1	42.12	173.2	41.43	167.4	40.83	156.3	39.66
	7.0	6	202.0	41.40	190.8	40.78	179.1	40.32	173.2	39.83	167.4	39.33	156.3	38.10
9.0	7.9	202.0	39.97	190.8	39.36	179.1	38.92	173.2	38.45	167.4	37.95	156.3	36.79	
11.0	9.8	202.0	38.87	190.8	38.28	179.1	37.85	173.2	37.39	167.4	36.91	156.3	35.76	
13.0	11.8	202.0	37.69	190.8	37.13	179.1	36.70	173.2	36.27	167.4	35.79	156.3	34.69	
15.0	13.7	202.0	36.45	190.8	35.89	179.1	35.49	173.2	35.06	167.4	34.61	156.3	33.54	

Outdoor Units

Notes:

1. TC: Total Capacity(kW) PI : Power Input(kW)(Comp. + Outdoor fan motor)
2. Capacity tables show the average value of conditions which may occur.
3. ■■■ is shown as reference. When selecting the outdoor units, avoid the outdoor air temperature range shown by ■■■ .

7. Capacity Tables

Heating Capacity(52HP)

Outdoor Units

Combination (%)	Outdoor air temp		Indoor air temp. °C DB											
			16		18		20		21		22		24	
	°C DB	°C WB	TC	PI	TC	PI	TC	PI	TC	PI	TC	PI	TC	PI
100	-24.8	-25	101.1	60.86	101.1	60.59	100.6	56.41	100.6	59.92	100.6	59.65	98.9	59.52
	-21.8	-22	122.3	60.45	122.3	60.18	121.6	58.19	121.6	59.53	121.6	60.02	119.6	59.11
	-19.8	-20	128.7	60.18	128.7	59.93	127.9	59.29	127.9	59.26	127.9	59.25	125.8	58.84
	-18.8	-19	131.6	60.04	130.8	59.79	130.8	59.53	130.8	59.13	130.8	58.84	128.7	57.90
	-16.7	-17	136.7	59.78	136.7	59.50	136.7	60.02	135.9	58.84	135.9	56.90	133.7	55.92
	-13.7	-15	145.9	59.37	145.9	59.09	145.1	58.84	145.1	56.02	145.1	54.11	142.8	53.09
	-11.8	-13	150.6	59.11	149.8	58.84	149.8	56.94	149.8	54.22	149.8	52.34	142.8	51.30
	-9.8	-11	155.7	58.84	155.7	56.71	155.0	54.95	155.0	52.34	153.4	50.49	142.8	49.42
	-9.5	-10	156.6	58.50	156.6	56.40	155.8	54.64	155.8	52.06	153.4	50.22	142.8	49.14
	-8.5	-9.1	159.9	57.39	159.9	55.33	159.1	53.64	158.6	51.11	153.4	49.30	142.8	48.19
	-7.0	-7.6	167.4	55.71	166.7	53.73	163.8	52.15	158.6	49.70	153.4	47.89	142.8	46.78
	-5.0	-5.6	174.7	53.48	172.9	51.60	163.8	50.14	158.6	47.81	153.4	46.04	142.8	44.90
	-3.0	-3.7	179.7	51.25	174.2	49.47	163.8	48.15	158.6	45.92	153.4	44.19	142.8	43.01
	0.0	-0.7	184.8	47.89	174.2	46.28	163.8	45.14	158.6	43.09	153.4	41.40	142.8	40.18
	3.0	2.2	184.8	44.56	174.2	43.08	163.8	42.15	158.6	40.28	153.4	38.63	142.8	37.36
	5.0	4.1	184.8	42.31	174.2	40.95	163.8	40.16	158.6	38.39	153.4	36.78	142.8	35.47
	7.0	6	184.8	40.08	174.2	38.82	163.8	38.15	158.6	36.50	153.4	34.93	142.8	33.59
	9.0	7.9	184.8	38.48	174.2	37.25	163.8	36.61	158.6	35.02	153.4	33.51	142.8	32.23
11.0	9.8	184.8	37.17	174.2	36.01	163.8	35.37	158.6	33.84	153.4	32.39	142.8	31.15	
13.0	11.8	184.8	35.79	174.2	34.68	163.8	34.07	158.6	32.60	153.4	31.19	142.8	30.00	
15.0	13.7	184.8	34.34	174.2	33.26	163.8	32.68	158.6	31.26	153.4	29.92	142.8	28.77	
90	-24.8	-25	100.8	54.26	100.8	54.98	100.1	55.49	100.1	55.71	100.1	56.19	98.6	56.91
	-21.8	-22	121.8	54.98	121.8	55.70	121.1	56.19	121.1	56.44	121.1	56.91	119.1	54.42
	-19.8	-20	128.2	55.45	128.2	56.17	127.4	56.68	127.4	56.91	127.4	55.22	125.5	52.76
	-18.8	-19	131.6	55.70	130.8	56.40	130.3	56.91	130.3	56.04	130.3	54.35	128.2	51.95
	-16.7	-17	136.7	56.19	136.7	56.91	136.1	55.10	136.1	54.18	136.1	52.56	130.5	50.19
	-13.7	-15	145.9	56.91	145.9	54.20	144.6	52.50	144.6	51.56	140.6	50.02	130.5	47.70
	-11.8	-13	150.6	55.06	149.8	52.49	149.3	50.84	145.3	49.89	140.6	48.39	130.5	46.12
	-9.8	-11	155.7	53.08	155.7	50.68	149.8	49.11	145.3	48.13	140.6	46.70	130.5	44.47
	-9.5	-10	156.6	52.80	156.6	50.41	149.8	48.86	145.3	47.87	140.6	46.43	130.5	44.22
	-8.5	-9.1	159.9	51.81	158.6	49.50	149.8	47.99	145.3	46.98	140.6	45.59	130.5	43.38
	-7.0	-7.6	167.4	50.35	159.1	48.15	149.8	46.68	145.3	45.67	140.6	44.31	130.5	42.14
	-5.0	-5.6	169.2	48.39	159.1	46.34	149.8	44.95	145.3	43.92	140.6	42.59	130.5	40.48
	-3.0	-3.7	169.2	46.44	159.1	44.53	149.8	43.22	145.3	42.15	140.6	40.90	130.5	38.83
	0.0	-0.7	169.2	43.49	159.1	41.84	149.8	40.62	145.3	39.53	140.6	38.34	130.5	36.33
	3.0	2.2	169.2	40.55	159.1	39.12	149.8	38.02	145.3	36.88	140.6	35.79	130.5	33.86
	5.0	4.1	169.2	38.59	159.1	37.31	149.8	36.27	145.3	35.13	140.6	34.07	130.5	32.19
	7.0	6	169.2	36.63	159.1	35.50	149.8	34.55	145.3	33.36	140.6	32.38	130.5	30.53
	9.0	7.9	169.2	34.80	159.1	33.72	149.8	32.82	145.3	31.69	140.6	30.75	130.5	29.00
11.0	9.8	169.2	32.96	159.1	31.94	149.8	31.07	145.3	30.02	140.6	29.13	130.5	27.47	
13.0	11.8	169.2	31.13	159.1	30.16	149.8	29.35	145.3	28.35	140.6	27.51	130.5	25.93	
15.0	13.7	169.2	29.27	159.1	28.38	149.8	27.62	145.3	26.68	140.6	25.87	130.5	24.40	
80	-24.8	-25	100.3	47.82	100.3	48.52	99.8	49.03	99.8	49.28	99.8	50.48	98.1	48.28
	-21.8	-22	120.5	48.52	120.5	49.24	120.5	49.75	120.5	50.48	120.5	48.28	116.7	46.17
	-19.8	-20	126.9	49.02	126.9	49.72	126.9	50.48	126.9	48.93	125.1	46.82	116.7	44.77
	-18.8	-19	129.8	49.24	129.8	50.48	129.8	49.69	129.4	48.14	125.3	46.09	116.7	44.07
	-16.7	-17	134.1	50.48	134.1	48.81	134.1	48.03	130.0	46.51	125.3	44.54	116.7	42.60
	-13.7	-15	134.1	48.04	134.1	46.48	134.1	45.68	130.0	44.20	125.3	42.37	116.7	40.50
	-11.8	-13	137.6	46.48	134.2	44.99	134.1	44.18	130.0	42.73	125.3	40.98	116.7	39.17
	-9.8	-11	143.5	44.86	139.4	43.43	134.1	42.60	130.0	41.18	125.3	39.52	116.7	37.79
	-9.5	-10	144.3	44.61	140.2	43.20	134.1	42.38	130.0	40.94	125.3	39.30	116.7	37.57
	-8.5	-9.1	147.2	43.79	142.8	42.41	134.1	41.59	130.0	40.18	125.3	38.57	116.7	36.87
	-7.0	-7.6	151.6	42.58	142.8	41.24	134.1	40.41	130.0	39.01	125.3	37.46	116.7	35.82
	-5.0	-5.6	151.6	40.96	142.8	39.68	134.1	38.83	130.0	37.46	125.3	36.02	116.7	34.41
	-3.0	-3.7	151.6	39.32	142.8	38.12	134.1	37.25	130.0	35.91	125.3	34.56	116.7	33.03
	0.0	-0.7	151.6	36.90	142.8	35.77	134.1	34.91	130.0	33.60	125.3	32.36	116.7	30.92
	3.0	2.2	151.6	34.46	142.8	33.42	134.1	32.54	130.0	31.26	125.3	30.17	116.7	28.81
	5.0	4.1	151.6	32.82	142.8	31.86	134.1	30.98	130.0	29.73	125.3	28.70	116.7	27.43
	7.0	6	151.6	31.20	142.8	30.30	134.1	29.40	130.0	28.19	125.3	27.26	116.7	26.02
	9.0	7.9	151.6	29.29	142.8	28.45	134.1	27.60	130.0	26.46	125.3	25.59	116.7	24.43
11.0	9.8	151.6	27.19	142.8	26.41	134.1	25.61	130.0	24.56	125.3	23.76	116.7	22.68	
13.0	11.8	151.6	25.38	142.8	24.64	134.1	23.92	130.0	22.91	125.3	22.17	116.7	21.16	
15.0	13.7	151.6	23.89	142.8	23.19	134.1	22.52	130.0	21.57	125.3	20.87	116.7	19.92	

Notes:

1. TC: Total Capacity(kW) PI : Power Input(kW)(Comp. + Outdoor fan motor)
2. Capacity tables show the average value of conditions which may occur.
3. ■■■ is shown as reference. When selecting the outdoor units, avoid the outdoor air temperature range shown by ■■■ .

7. Capacity Tables

Heating Capacity(52HP)

Combination (%)	Outdoor air temp		Indoor air temp. °C DB											
			16		18		20		21		22		24	
	°C DB	°C WB	TC	PI	TC	PI	TC	PI	TC	PI	TC	PI	TC	PI
70	-24.8	-25	100.3	47.69	100.3	47.94	99.8	48.41	99.8	49.13	99.8	46.77	98.0	44.55
	-21.8	-22	114.9	48.41	114.9	48.66	114.1	49.13	110.2	46.77	106.9	44.55	99.8	42.42
	-19.8	-20	124.6	48.89	121.4	49.13	114.1	47.47	110.2	45.19	106.9	43.08	99.8	41.00
	-18.8	-19	128.2	49.13	121.4	48.27	114.1	46.64	110.2	44.39	106.9	42.33	99.8	40.28
	-16.7	-17	128.4	47.33	121.4	46.47	114.1	44.89	110.2	42.75	106.9	40.80	99.8	38.79
	-13.7	-15	128.4	44.79	121.4	43.89	114.1	42.39	110.2	40.37	106.9	38.58	99.8	36.65
	-11.8	-13	128.4	43.17	121.4	42.25	114.1	40.81	110.2	38.87	106.9	37.19	99.8	35.31
	-9.8	-11	128.4	41.47	121.4	40.53	114.1	39.17	110.2	37.31	106.9	35.72	99.8	33.89
	-9.5	-10	128.4	41.21	121.4	40.26	114.1	38.90	110.2	37.07	106.9	35.50	99.8	33.68
	-8.5	-9.1	128.4	40.37	121.4	39.40	114.1	38.07	110.2	36.27	106.9	34.75	99.8	32.96
	-7.0	-7.6	128.4	39.08	121.4	38.13	114.1	36.83	110.2	35.09	106.9	33.66	99.8	31.89
	-5.0	-5.6	128.4	37.38	121.4	36.41	114.1	35.17	110.2	33.53	106.9	32.18	99.8	30.48
	-3.0	-3.7	128.4	35.68	121.4	34.68	114.1	33.50	110.2	31.95	106.9	30.71	99.8	29.06
	0.0	-0.7	128.4	33.12	121.4	32.10	114.1	31.03	110.2	29.59	106.9	28.49	99.8	26.92
	3.0	2.2	128.4	30.58	121.4	29.52	114.1	28.53	110.2	27.21	106.9	26.29	99.8	24.79
	5.0	4.1	128.4	28.88	121.4	27.80	114.1	26.87	110.2	25.65	106.9	24.82	99.8	23.37
	7.0	6	128.4	27.16	121.4	26.08	114.1	25.20	110.2	24.07	106.9	23.35	99.8	21.93
	9.0	7.9	128.4	24.53	121.4	23.55	114.1	22.76	110.2	21.73	106.9	21.08	99.8	19.82
11.0	9.8	128.4	22.84	121.4	21.93	114.1	21.19	110.2	20.23	106.9	19.62	99.8	18.46	
13.0	11.8	128.4	21.37	121.4	20.52	114.1	19.82	110.2	18.92	106.9	18.35	99.8	17.25	
15.0	13.7	128.4	20.15	121.4	19.33	114.1	18.69	110.2	17.84	106.9	17.30	99.8	16.27	
60	-24.8	-25	98.5	47.08	98.5	47.57	97.8	48.27	94.6	45.76	91.3	43.39	85.5	41.17
	-21.8	-22	105.5	47.80	104.3	48.27	97.8	45.76	94.6	43.39	91.3	41.17	85.5	39.02
	-19.8	-20	110.2	48.27	104.3	46.50	97.8	44.07	94.6	41.81	91.3	39.69	85.5	37.59
	-18.8	-19	110.2	47.37	104.3	45.60	97.8	43.23	94.6	41.01	91.3	38.94	85.5	36.88
	-16.7	-17	110.2	45.49	104.3	43.72	97.8	41.46	94.6	39.37	91.3	37.38	85.5	35.38
	-13.7	-15	110.2	42.77	104.3	41.05	97.8	38.95	94.6	37.00	91.3	35.16	85.5	33.23
	-11.8	-13	110.2	41.07	104.3	39.36	97.8	37.34	94.6	35.50	91.3	33.76	85.5	31.88
	-9.8	-11	110.2	39.26	104.3	37.57	97.8	35.65	94.6	33.92	91.3	32.29	85.5	30.46
	-9.5	-10	110.2	38.98	104.3	37.30	97.8	35.41	94.6	33.68	91.3	32.05	85.5	30.25
	-8.5	-9.1	110.2	38.08	104.3	36.40	97.8	34.56	94.6	32.91	91.3	31.32	85.5	29.51
	-7.0	-7.6	110.2	36.73	104.3	35.08	97.8	33.30	94.6	31.72	91.3	30.21	85.5	28.46
	-5.0	-5.6	110.2	34.92	104.3	33.28	97.8	31.61	94.6	30.14	91.3	28.73	85.5	27.01
	-3.0	-3.7	110.2	33.12	104.3	31.51	97.8	29.94	94.6	28.56	91.3	27.25	85.5	25.59
	0.0	-0.7	110.2	30.42	104.3	28.82	97.8	27.41	94.6	26.21	91.3	25.02	85.5	23.46
	3.0	2.2	110.2	27.70	104.3	26.14	97.8	24.88	94.6	23.84	91.3	22.80	85.5	21.30
	5.0	4.1	110.2	25.90	104.3	24.35	97.8	23.21	94.6	22.26	91.3	21.32	85.5	19.88
	7.0	6	110.2	24.10	104.3	22.58	97.8	21.52	94.6	20.67	91.3	19.85	85.5	18.46
	9.0	7.9	110.2	21.50	104.3	20.13	97.8	19.20	94.6	18.46	91.3	17.71	85.5	16.47
11.0	9.8	110.2	20.08	104.3	18.82	97.8	17.94	94.6	17.22	91.3	16.53	85.5	15.37	
13.0	11.8	110.2	18.82	104.3	17.61	97.8	16.79	94.6	16.14	91.3	15.49	85.5	14.39	
15.0	13.7	110.2	17.79	104.3	16.65	97.8	15.88	94.6	15.26	91.3	14.64	85.5	13.62	
50	-24.8	-25	92.0	41.19	86.8	41.89	81.6	39.66	79.0	37.57	76.2	35.61	71.0	33.76
	-21.8	-22	92.0	41.89	86.8	39.66	81.6	37.57	79.0	35.61	76.2	33.76	71.0	32.00
	-19.8	-20	92.0	40.33	86.8	38.18	81.6	36.17	79.0	34.27	76.2	32.54	71.0	30.83
	-18.8	-19	92.0	39.55	86.8	37.43	81.6	35.48	79.0	33.63	76.2	31.92	71.0	30.24
	-16.7	-17	92.0	37.93	86.8	35.87	81.6	34.02	79.0	32.24	76.2	30.64	71.0	28.99
	-13.7	-15	92.0	35.58	86.8	33.62	81.6	31.93	79.0	30.28	76.2	28.81	71.0	27.23
	-11.8	-13	92.0	34.10	86.8	32.22	81.6	30.62	79.0	29.02	76.2	27.64	71.0	26.11
	-9.8	-11	92.0	32.54	86.8	30.72	81.6	29.22	79.0	27.71	76.2	26.41	71.0	24.93
	-9.5	-10	92.0	32.30	86.8	30.50	81.6	29.01	79.0	27.50	76.2	26.25	71.0	24.77
	-8.5	-9.1	92.0	31.52	86.8	29.75	81.6	28.31	79.0	26.85	76.2	25.63	71.0	24.18
	-7.0	-7.6	92.0	30.36	86.8	28.64	81.6	27.27	79.0	25.86	76.2	24.70	71.0	23.30
	-5.0	-5.6	92.0	28.80	86.8	27.14	81.6	25.87	79.0	24.55	76.2	23.49	71.0	22.11
	-3.0	-3.7	92.0	27.24	86.8	25.66	81.6	24.50	79.0	23.24	76.2	22.26	71.0	20.93
	0.0	-0.7	92.0	24.90	86.8	23.41	81.6	22.41	79.0	21.26	76.2	20.42	71.0	19.17
	3.0	2.2	92.0	22.56	86.8	21.18	81.6	20.32	79.0	19.28	76.2	18.60	71.0	17.41
	5.0	4.1	92.0	21.00	86.8	19.70	81.6	18.92	79.0	17.97	76.2	17.37	71.0	16.23
	7.0	6	92.0	19.44	86.8	18.20	81.6	17.53	79.0	16.66	76.2	16.14	71.0	15.06
	9.0	7.9	92.0	17.56	86.8	16.45	81.6	15.83	79.0	15.04	76.2	14.57	71.0	13.59
11.0	9.8	92.0	16.42	86.8	15.37	81.6	14.80	79.0	14.08	76.2	13.64	71.0	12.72	
13.0	11.8	92.0	15.42	86.8	14.44	81.6	13.90	79.0	13.21	76.2	12.80	71.0	11.94	
15.0	13.7	92.0	14.60	86.8	13.67	81.6	13.16	79.0	12.51	76.2	12.12	71.0	11.30	

Notes:

1. TC: Total Capacity(kW) PI : Power Input(kW)(Comp. + Outdoor fan motor)
2. Capacity tables show the average value of conditions which may occur.
3. ■■■ is shown as reference. When selecting the outdoor units, avoid the outdoor air temperature range shown by ■■■ .

7. Capacity Tables

ARUB540LTE4

Heating Capacity(54HP)

Combination (%)	Outdoor air temp		Indoor air temp. °C DB											
			16		18		20		21		22		24	
	°C DB	°C WB	TC	PI	TC	PI	TC	PI	TC	PI	TC	PI	TC	PI
130	-24.8	-25	106.3	55.2	106.3	55.47	105.6	55.70	105.6	56.05	105.6	56.39	103.6	56.91
	-21.8	-22	129.3	55.74	129.3	56.01	128.4	56.24	128.4	56.59	128.4	56.91	126.0	57.45
	-19.8	-20	136.5	56.09	136.5	56.36	135.5	56.59	135.5	56.94	135.5	57.26	133.0	57.80
	-18.8	-19	139.3	56.25	139.3	56.52	138.5	56.75	138.5	57.10	138.5	57.45	135.8	57.98
	-16.7	-17	145.7	56.63	145.7	56.90	144.8	57.13	144.8	57.48	144.8	57.83	142.1	58.34
	-13.7	-15	154.7	57.17	154.7	57.44	153.9	57.67	153.9	58.02	153.9	58.34	150.9	56.23
	-11.8	-13	159.8	57.49	159.8	57.76	158.8	57.99	158.8	58.34	158.8	58.69	156.4	54.86
	-9.8	-11	165.0	57.86	165.0	58.11	164.1	58.34	164.1	58.69	164.1	59.04	162.2	53.46
	-9.5	-10	166.1	57.91	166.1	58.18	165.0	58.13	165.0	58.48	165.0	58.83	163.1	53.25
	-8.5	-9.1	169.3	58.09	169.3	58.34	168.2	57.36	168.2	58.69	167.4	54.44	166.1	52.54
	-7.0	-7.6	174.1	58.34	174.1	57.23	173.0	56.20	173.0	54.72	173.0	53.33	170.5	51.46
	-5.0	-5.6	180.4	56.93	180.4	55.75	179.3	54.67	179.3	53.20	179.3	51.83	176.3	50.04
	-3.0	-3.7	186.8	55.51	186.8	54.25	185.7	53.14	185.7	51.69	185.7	50.32	182.1	48.64
	0.0	-0.7	196.3	53.36	196.3	52.02	195.2	50.82	195.2	49.42	195.2	48.08	190.6	46.50
	3.0	2.2	206.0	51.22	206.0	49.78	204.6	48.52	204.6	47.15	204.6	45.82	192.0	44.37
	5.0	4.1	212.4	49.80	212.4	48.30	211.1	46.99	211.1	45.65	206.3	44.31	192.0	42.95
	7.0	6	218.7	48.37	218.7	46.82	217.3	45.46	213.8	44.12	206.3	42.81	192.0	41.53
	9.0	7.9	219.8	47.20	219.8	45.68	219.2	44.37	213.8	43.06	206.3	41.78	192.0	40.54
11.0	9.8	219.8	46.46	219.8	44.96	219.2	43.65	213.8	42.39	206.3	41.13	192.0	39.88	
13.0	11.8	219.8	45.65	219.8	44.17	219.2	42.88	213.8	41.65	206.3	40.41	192.0	39.19	
15.0	13.7	219.8	44.78	219.8	43.33	219.2	42.06	213.8	40.85	206.3	39.62	192.0	38.44	
120	-24.8	-25	105.5	55.47	105.5	55.70	104.8	56.05	104.8	56.39	104.8	56.91	102.8	57.29
	-21.8	-22	128.4	56.01	128.4	56.24	127.6	56.59	127.6	56.91	127.6	57.45	125.2	57.83
	-19.8	-20	135.4	56.36	135.4	56.59	134.6	56.94	134.6	57.26	134.6	57.80	131.9	58.18
	-18.8	-19	138.5	56.52	138.5	56.75	137.6	57.10	137.6	57.45	137.6	57.98	134.9	58.34
	-16.7	-17	144.8	56.90	144.8	57.13	143.8	57.48	143.8	57.83	143.8	58.34	141.0	56.97
	-13.7	-15	153.6	57.44	153.6	57.67	152.8	58.02	152.8	58.34	152.8	58.69	149.8	55.02
	-11.8	-13	158.7	57.76	158.7	57.99	157.7	58.34	157.7	58.69	157.7	59.04	155.3	53.78
	-9.8	-11	163.9	58.11	163.9	58.34	162.8	58.69	162.8	59.04	162.8	59.39	161.1	52.49
	-9.5	-10	165.0	58.18	165.0	58.10	163.9	56.54	163.9	55.17	163.9	53.46	162.0	52.28
	-8.5	-9.1	168.0	58.34	168.0	57.26	167.1	55.75	167.1	54.41	167.1	52.78	165.0	51.62
	-7.0	-7.6	172.8	57.12	172.8	56.02	171.7	54.57	171.7	53.28	171.7	51.77	169.2	50.65
	-5.0	-5.6	179.2	55.48	179.2	54.36	177.9	52.98	177.9	51.77	177.9	50.41	175.2	49.35
	-3.0	-3.7	185.5	53.83	185.5	52.69	184.4	51.40	184.4	50.25	184.4	49.06	180.4	48.04
	0.0	-0.7	194.9	51.37	194.9	50.21	193.8	49.03	193.8	47.98	193.8	47.03	180.4	46.08
	3.0	2.2	204.6	48.91	204.6	47.71	203.2	46.68	200.4	45.71	194.1	45.00	180.4	44.13
	5.0	4.1	210.8	47.27	210.8	46.04	207.3	45.10	200.4	44.20	194.1	43.63	180.4	42.82
	7.0	6	217.3	45.62	215.7	44.38	207.3	43.52	200.4	42.68	194.1	42.28	180.4	41.52
	9.0	7.9	218.1	44.40	215.7	43.19	207.3	42.35	200.4	41.54	194.1	41.15	180.4	40.41
11.0	9.8	218.1	43.58	215.7	42.40	207.3	41.56	200.4	40.77	194.1	40.38	180.4	39.67	
13.0	11.8	218.1	42.70	215.7	41.54	207.3	40.71	200.4	39.94	194.1	39.56	180.4	38.85	
15.0	13.7	218.1	41.74	215.7	40.59	207.3	39.80	200.4	39.04	194.1	38.68	180.4	37.97	
110	-24.8	-25	105.0	55.70	105.0	56.05	104.2	56.39	104.2	56.91	104.2	57.29	102.3	57.47
	-21.8	-22	127.6	56.24	127.6	56.59	126.8	56.91	126.8	57.45	126.8	57.83	124.4	57.99
	-19.8	-20	134.7	56.59	134.7	56.94	133.8	57.26	133.8	57.80	133.8	58.18	131.2	58.34
	-18.8	-19	137.7	56.75	137.7	57.10	136.8	57.45	136.8	57.98	136.8	58.34	134.2	57.63
	-16.7	-17	144.0	57.13	144.0	57.48	143.0	57.83	143.0	58.34	143.0	58.69	140.2	56.10
	-13.7	-15	152.8	57.67	152.8	58.02	151.8	58.34	151.8	58.69	151.8	59.04	149.8	55.02
	-11.8	-13	157.7	57.99	157.7	58.34	156.9	58.69	156.9	59.04	156.9	59.39	155.3	53.78
	-9.8	-11	163.1	58.34	163.1	58.69	162.0	59.04	162.0	59.39	162.0	59.74	161.1	52.49
	-9.5	-10	163.9	58.05	163.9	56.29	163.1	54.84	163.1	52.94	163.1	51.75	162.3	50.83
	-8.5	-9.1	167.1	57.10	167.1	55.39	166.1	54.01	166.1	52.20	166.1	51.04	162.3	50.12
	-7.0	-7.6	172.0	55.65	172.0	54.05	170.9	52.75	170.9	51.07	170.9	49.99	162.3	49.02
	-5.0	-5.6	178.2	53.73	178.2	52.27	177.1	51.09	177.1	49.57	173.9	48.56	162.3	47.57
	-3.0	-3.7	184.4	51.80	184.4	50.48	183.3	49.41	179.8	48.06	173.9	47.14	162.3	46.09
	0.0	-0.7	193.9	48.90	193.9	47.80	186.0	46.90	179.8	45.82	173.9	45.01	162.3	43.91
	3.0	2.2	203.3	46.03	198.2	45.11	186.0	44.40	179.8	43.56	173.9	42.88	162.3	41.72
	5.0	4.1	209.7	44.10	198.2	43.32	186.0	42.74	179.8	42.06	173.9	41.46	162.3	40.27
	7.0	6	209.8	42.16	198.2	41.53	186.0	41.05	179.8	40.56	173.9	40.05	162.3	38.80
	9.0	7.9	209.8	40.86	198.2	40.23	186.0	39.79	179.8	39.31	173.9	38.79	162.3	37.61
11.0	9.8	209.8	39.90	198.2	39.30	186.0	38.86	179.8	38.39	173.9	37.89	162.3	36.71	
13.0	11.8	209.8	38.87	198.2	38.30	186.0	37.85	179.8	37.40	173.9	36.91	162.3	35.78	
15.0	13.7	209.8	37.79	198.2	37.21	186.0	36.79	179.8	36.35	173.9	35.88	162.3	34.78	

Notes:

1. TC: Total Capacity(kW) PI : Power Input(kW)(Comp. + Outdoor fan motor)
2. Capacity tables show the average value of conditions which may occur.
3. ■■■ is shown as reference. When selecting the outdoor units, avoid the outdoor air temperature range shown by ■■■ .

7. Capacity Tables

Heating Capacity(54HP)

Combination (%)	Outdoor air temp		Indoor air temp. °C DB											
			16		18		20		21		22		24	
	°C DB	°C WB	TC	PI	TC	PI	TC	PI	TC	PI	TC	PI	TC	PI
100	-24.8	-25	104.5	61.02	104.5	60.66	103.9	56.22	103.9	59.78	103.9	59.42	101.8	59.24
	-21.8	-22	127.1	60.48	127.1	60.12	126.3	57.99	126.3	59.26	126.3	59.62	123.9	58.70
	-19.8	-20	134.1	60.12	134.1	59.78	133.3	59.08	133.3	58.90	133.3	58.78	130.6	58.34
	-18.8	-19	137.1	59.94	136.3	59.60	136.3	59.26	136.3	58.72	136.3	58.34	133.6	57.45
	-16.7	-17	142.4	59.58	142.4	59.22	142.4	59.62	141.6	58.34	141.6	56.50	138.9	55.55
	-13.7	-15	152.0	59.04	152.0	58.68	151.2	58.34	151.2	55.68	151.2	53.84	148.3	52.84
	-11.8	-13	156.9	58.70	156.1	58.34	156.1	56.55	156.1	53.97	156.1	52.16	148.3	51.13
	-9.8	-11	162.3	58.34	162.3	56.34	161.4	54.68	161.4	52.18	159.3	50.39	148.3	49.34
	-9.5	-10	163.1	58.03	163.1	56.05	162.3	54.39	162.3	51.92	159.3	50.13	148.3	49.07
	-8.5	-9.1	166.3	56.99	166.3	55.05	165.5	53.44	164.7	51.02	159.3	49.26	148.3	48.16
	-7.0	-7.6	173.9	55.42	173.1	53.55	170.1	52.04	164.7	49.68	159.3	47.92	148.3	46.81
	-5.0	-5.6	181.4	53.33	179.6	51.54	170.1	50.15	164.7	47.89	159.3	46.16	148.3	45.02
	-3.0	-3.7	186.6	51.25	180.9	49.54	170.1	48.28	164.7	46.10	159.3	44.39	148.3	43.21
	0.0	-0.7	191.9	48.12	180.9	46.54	170.1	45.44	164.7	43.41	159.3	41.73	148.3	40.50
	3.0	2.2	191.9	45.00	180.9	43.54	170.1	42.62	164.7	40.75	159.3	39.10	148.3	37.81
	5.0	4.1	191.9	42.90	180.9	41.53	170.1	40.74	164.7	38.96	159.3	37.33	148.3	36.00
	7.0	6	191.9	40.82	180.9	39.53	170.1	38.85	164.7	37.17	159.3	35.57	148.3	34.21
	9.0	7.9	191.9	39.36	180.9	38.11	170.1	37.45	164.7	35.83	159.3	34.29	148.3	32.98
11.0	9.8	191.9	38.23	180.9	37.03	170.1	36.37	164.7	34.80	159.3	33.31	148.3	32.03	
13.0	11.8	191.9	37.01	180.9	35.86	170.1	35.24	164.7	33.72	159.3	32.25	148.3	31.03	
15.0	13.7	191.9	35.74	180.9	34.62	170.1	34.02	164.7	32.53	159.3	31.15	148.3	29.95	
90	-24.8	-25	104.2	54.56	104.2	55.10	103.4	55.48	103.4	55.64	103.4	55.99	101.5	56.53
	-21.8	-22	126.6	55.10	126.6	55.64	125.8	55.99	125.8	56.18	125.8	56.53	123.3	54.13
	-19.8	-20	133.6	55.45	133.6	55.99	132.8	56.37	132.8	56.53	132.8	54.91	130.3	52.53
	-18.8	-19	137.1	55.64	136.3	56.15	135.8	56.53	135.8	55.69	135.8	54.07	133.1	51.74
	-16.7	-17	142.4	55.99	142.4	56.53	141.8	54.80	141.8	53.92	141.8	52.35	135.5	50.05
	-13.7	-15	152.0	56.53	152.0	53.95	150.7	52.32	150.7	51.41	146.0	49.91	135.5	47.64
	-11.8	-13	156.9	54.78	156.1	52.32	155.5	50.73	150.9	49.81	146.0	48.35	135.5	46.13
	-9.8	-11	162.3	52.90	162.3	50.60	155.6	49.08	150.9	48.12	146.0	46.73	135.5	44.53
	-9.5	-10	163.1	52.64	163.1	50.34	155.6	48.84	150.9	47.88	146.0	46.47	135.5	44.29
	-8.5	-9.1	166.3	51.70	165.0	49.48	155.6	48.01	150.9	47.02	146.0	45.66	135.5	43.49
	-7.0	-7.6	173.9	50.31	165.3	48.19	155.6	46.76	150.9	45.76	146.0	44.43	135.5	42.28
	-5.0	-5.6	175.8	48.46	165.3	46.47	155.6	45.11	150.9	44.09	146.0	42.78	135.5	40.69
	-3.0	-3.7	175.8	46.60	165.3	44.75	155.6	43.46	150.9	42.39	146.0	41.16	135.5	39.09
	0.0	-0.7	175.8	43.81	165.3	42.18	155.6	40.98	150.9	39.88	146.0	38.70	135.5	36.69
	3.0	2.2	175.8	41.01	165.3	39.60	155.6	38.50	150.9	37.35	146.0	36.25	135.5	34.30
	5.0	4.1	175.8	39.16	165.3	37.87	155.6	36.83	150.9	35.67	146.0	34.60	135.5	32.69
	7.0	6	175.8	37.30	165.3	36.15	155.6	35.18	150.9	33.98	146.0	32.98	135.5	31.09
	9.0	7.9	175.8	35.55	165.3	34.45	155.6	33.53	150.9	32.38	146.0	31.41	135.5	29.63
11.0	9.8	175.8	33.80	165.3	32.75	155.6	31.86	150.9	30.79	146.0	29.87	135.5	28.16	
13.0	11.8	175.8	32.05	165.3	31.05	155.6	30.22	150.9	29.19	146.0	28.33	135.5	26.70	
15.0	13.7	175.8	30.28	165.3	29.35	155.6	28.57	150.9	27.60	146.0	26.76	135.5	25.24	
80	-24.8	-25	103.7	48.17	103.7	48.69	103.1	49.07	103.1	49.25	103.1	50.14	101.0	48.02
	-21.8	-22	125.2	48.69	125.2	49.22	125.2	49.60	125.2	50.14	125.2	48.02	121.2	45.98
	-19.8	-20	132.2	49.06	132.2	49.57	132.2	50.14	132.2	48.65	130.1	46.61	121.2	44.63
	-18.8	-19	135.2	49.22	135.2	50.14	135.2	49.38	134.8	47.89	130.1	45.91	121.2	43.95
	-16.7	-17	139.3	50.14	139.3	48.55	139.3	47.79	135.0	46.33	130.1	44.42	121.2	42.53
	-13.7	-15	139.3	47.81	139.3	46.32	139.3	45.54	135.0	44.10	130.1	42.32	121.2	40.50
	-11.8	-13	142.8	46.33	139.3	44.89	139.3	44.10	135.0	42.69	130.1	40.99	121.2	39.21
	-9.8	-11	149.0	44.78	144.7	43.40	139.3	42.59	135.0	41.20	130.1	39.58	121.2	37.88
	-9.5	-10	149.8	44.55	145.5	43.19	139.3	42.38	135.0	40.97	130.1	39.37	121.2	37.67
	-8.5	-9.1	152.8	43.77	148.2	42.43	139.3	41.62	135.0	40.23	130.1	38.66	121.2	36.99
	-7.0	-7.6	157.4	42.62	148.2	41.31	139.3	40.49	135.0	39.11	130.1	37.59	121.2	35.97
	-5.0	-5.6	157.4	41.07	148.2	39.82	139.3	38.98	135.0	37.62	130.1	36.20	121.2	34.61
	-3.0	-3.7	157.4	39.51	148.2	38.33	139.3	37.47	135.0	36.13	130.1	34.79	121.2	33.27
	0.0	-0.7	157.4	37.20	148.2	36.08	139.3	35.22	135.0	33.91	130.1	32.68	121.2	31.24
	3.0	2.2	157.4	34.88	148.2	33.83	139.3	32.95	135.0	31.66	130.1	30.56	121.2	29.20
	5.0	4.1	157.4	33.32	148.2	32.34	139.3	31.45	135.0	30.19	130.1	29.15	121.2	27.86
	7.0	6	157.4	31.77	148.2	30.85	139.3	29.94	135.0	28.70	130.1	27.76	121.2	26.50
	9.0	7.9	157.4	29.83	148.2	28.97	139.3	28.10	135.0	26.95	130.1	26.06	121.2	24.88
11.0	9.8	157.4	27.68	148.2	26.89	139.3	26.09	135.0	25.01	130.1	24.19	121.2	23.09	
13.0	11.8	157.4	25.85	148.2	25.09	139.3	24.35	135.0	23.33	130.1	22.57	121.2	21.55	
15.0	13.7	157.4	24.33	148.2	23.62	139.3	22.94	135.0	21.97	130.1	21.26	121.2	20.29	

Notes:

1. TC: Total Capacity(kW) PI : Power Input(kW)(Comp. + Outdoor fan motor)
2. Capacity tables show the average value of conditions which may occur.
3. ■■■ is shown as reference. When selecting the outdoor units, avoid the outdoor air temperature range shown by ■■■ .

7. Capacity Tables

Heating Capacity(54HP)

Combination (%)	Outdoor air temp		Indoor air temp. °C DB											
			16		18		20		21		22		24	
	°C DB	°C WB	TC	PI	TC	PI	TC	PI	TC	PI	TC	PI	TC	PI
70	-24.8	-25	103.7	47.89	103.7	48.07	103.1	48.43	103.1	48.96	103.1	46.66	101.0	44.49
	-21.8	-22	119.3	48.43	119.3	48.61	118.5	48.96	114.5	46.66	111.0	44.49	103.7	42.40
	-19.8	-20	129.8	48.78	126.1	48.96	118.5	47.34	114.5	45.12	111.0	43.05	103.7	41.01
	-18.8	-19	133.4	48.96	126.1	48.12	118.5	46.53	114.5	44.34	111.0	42.32	103.7	40.31
	-16.7	-17	133.4	47.21	126.1	46.37	118.5	44.83	114.5	42.74	111.0	40.83	103.7	38.84
	-13.7	-15	133.4	44.75	126.1	43.86	118.5	42.40	114.5	40.41	111.0	38.66	103.7	36.75
	-11.8	-13	133.4	43.18	126.1	42.27	118.5	40.86	114.5	38.95	111.0	37.30	103.7	35.44
	-9.8	-11	133.4	41.54	126.1	40.60	118.5	39.26	114.5	37.43	111.0	35.86	103.7	34.05
	-9.5	-10	133.4	41.28	126.1	40.34	118.5	39.00	114.5	37.19	111.0	35.65	103.7	33.84
	-8.5	-9.1	133.4	40.46	126.1	39.50	118.5	38.19	114.5	36.41	111.0	34.92	103.7	33.14
	-7.0	-7.6	133.4	39.21	126.1	38.27	118.5	36.99	114.5	35.26	111.0	33.84	103.7	32.09
	-5.0	-5.6	133.4	37.57	126.1	36.59	118.5	35.37	114.5	33.74	111.0	32.41	103.7	30.70
	-3.0	-3.7	133.4	35.92	126.1	34.92	118.5	33.75	114.5	32.20	111.0	30.97	103.7	29.32
	0.0	-0.7	133.4	33.44	126.1	32.41	118.5	31.34	114.5	29.90	111.0	28.80	103.7	27.22
	3.0	2.2	133.4	30.97	126.1	29.90	118.5	28.91	114.5	27.57	111.0	26.65	103.7	25.13
	5.0	4.1	133.4	29.33	126.1	28.23	118.5	27.28	114.5	26.05	111.0	25.21	103.7	23.74
	7.0	6	133.4	27.66	126.1	26.56	118.5	25.66	114.5	24.51	111.0	23.77	103.7	22.34
	9.0	7.9	133.4	24.98	126.1	23.98	118.5	23.17	114.5	22.13	111.0	21.47	103.7	20.18
11.0	9.8	133.4	23.25	126.1	22.33	118.5	21.58	114.5	20.60	111.0	19.98	103.7	18.79	
13.0	11.8	133.4	21.76	126.1	20.89	118.5	20.19	114.5	19.27	111.0	18.69	103.7	17.57	
15.0	13.7	133.4	20.52	126.1	19.69	118.5	19.03	114.5	18.17	111.0	17.62	103.7	16.57	
60	-24.8	-25	102.3	47.40	102.3	47.77	101.5	48.29	98.3	45.81	94.8	43.47	88.8	41.28
	-21.8	-22	109.6	47.93	108.3	48.29	101.5	45.81	98.3	43.47	94.8	41.28	88.8	39.15
	-19.8	-20	114.5	48.29	108.3	46.54	101.5	44.14	98.3	41.91	94.8	39.82	88.8	37.74
	-18.8	-19	114.5	47.40	108.3	45.66	101.5	43.31	98.3	41.13	94.8	39.07	88.8	37.03
	-16.7	-17	114.5	45.55	108.3	43.81	101.5	41.57	98.3	39.51	94.8	37.53	88.8	35.55
	-13.7	-15	114.5	42.88	108.3	41.18	101.5	39.09	98.3	37.17	94.8	35.34	88.8	33.41
	-11.8	-13	114.5	41.21	108.3	39.51	101.5	37.51	98.3	35.68	94.8	33.96	88.8	32.08
	-9.8	-11	114.5	39.44	108.3	37.75	101.5	35.84	98.3	34.12	94.8	32.50	88.8	30.67
	-9.5	-10	114.5	39.16	108.3	37.48	101.5	35.61	98.3	33.89	94.8	32.27	88.8	30.46
	-8.5	-9.1	114.5	38.27	108.3	36.60	101.5	34.77	98.3	33.13	94.8	31.54	88.8	29.74
	-7.0	-7.6	114.5	36.94	108.3	35.30	101.5	33.53	98.3	31.96	94.8	30.45	88.8	28.69
	-5.0	-5.6	114.5	35.18	108.3	33.53	101.5	31.86	98.3	30.40	94.8	28.99	88.8	27.27
	-3.0	-3.7	114.5	33.41	108.3	31.78	101.5	30.22	98.3	28.84	94.8	27.53	88.8	25.86
	0.0	-0.7	114.5	30.75	108.3	29.13	101.5	27.72	98.3	26.52	94.8	25.32	88.8	23.74
	3.0	2.2	114.5	28.08	108.3	26.50	101.5	25.22	98.3	24.17	94.8	23.13	88.8	21.61
	5.0	4.1	114.5	26.31	108.3	24.74	101.5	23.58	98.3	22.61	94.8	21.67	88.8	20.20
	7.0	6	114.5	24.54	108.3	22.99	101.5	21.92	98.3	21.05	94.8	20.21	88.8	18.79
	9.0	7.9	114.5	21.89	108.3	20.50	101.5	19.56	98.3	18.80	94.8	18.03	88.8	16.77
11.0	9.8	114.5	20.45	108.3	19.16	101.5	18.27	98.3	17.54	94.8	16.83	88.8	15.65	
13.0	11.8	114.5	19.16	108.3	17.93	101.5	17.09	98.3	16.44	94.8	15.78	88.8	14.66	
15.0	13.7	114.5	18.11	108.3	16.96	101.5	16.17	98.3	15.54	94.8	14.91	88.8	13.87	
50	-24.8	-25	95.6	41.09	90.2	41.61	84.7	39.44	82.0	37.40	79.1	35.48	73.7	33.68
	-21.8	-22	95.6	41.61	90.2	39.44	84.7	37.40	82.0	35.48	79.1	33.68	73.7	31.95
	-19.8	-20	95.6	40.09	90.2	37.99	84.7	36.04	82.0	34.18	79.1	32.48	73.7	30.80
	-18.8	-19	95.6	39.33	90.2	37.26	84.7	35.36	82.0	33.55	79.1	31.88	73.7	30.22
	-16.7	-17	95.6	37.76	90.2	35.74	84.7	33.94	82.0	32.19	79.1	30.62	73.7	29.00
	-13.7	-15	95.6	35.48	90.2	33.55	84.7	31.90	82.0	30.28	79.1	28.84	73.7	27.27
	-11.8	-13	95.6	34.04	90.2	32.19	84.7	30.62	82.0	29.05	79.1	27.69	73.7	26.17
	-9.8	-11	95.6	32.53	90.2	30.72	84.7	29.26	82.0	27.76	79.1	26.49	73.7	25.02
	-9.5	-10	95.6	32.29	90.2	30.51	84.7	29.05	82.0	27.56	79.1	26.32	73.7	24.86
	-8.5	-9.1	95.6	31.54	90.2	29.78	84.7	28.37	82.0	26.93	79.1	25.72	73.7	24.28
	-7.0	-7.6	95.6	30.41	90.2	28.71	84.7	27.35	82.0	25.96	79.1	24.81	73.7	23.42
	-5.0	-5.6	95.6	28.89	90.2	27.24	84.7	25.99	82.0	24.68	79.1	23.63	73.7	22.25
	-3.0	-3.7	95.6	27.38	90.2	25.80	84.7	24.65	82.0	23.40	79.1	22.43	73.7	21.09
	0.0	-0.7	95.6	25.10	90.2	23.61	84.7	22.61	82.0	21.46	79.1	20.62	73.7	19.37
	3.0	2.2	95.6	22.83	90.2	21.44	84.7	20.57	82.0	19.53	79.1	18.84	73.7	17.64
	5.0	4.1	95.6	21.31	90.2	20.00	84.7	19.21	82.0	18.24	79.1	17.64	73.7	16.49
	7.0	6	95.6	19.79	90.2	18.53	84.7	17.85	82.0	16.96	79.1	16.44	73.7	15.34
	9.0	7.9	95.6	17.88	90.2	16.75	84.7	16.12	82.0	15.31	79.1	14.84	73.7	13.84
11.0	9.8	95.6	16.73	90.2	15.65	84.7	15.08	82.0	14.34	79.1	13.89	73.7	12.95	
13.0	11.8	95.6	15.70	90.2	14.71	84.7	14.16	82.0	13.45	79.1	13.03	73.7	12.16	
15.0	13.7	95.6	14.86	90.2	13.92	84.7	13.40	82.0	12.74	79.1	12.35	73.7	11.51	

Notes:

1. TC: Total Capacity(kW) PI : Power Input(kW)(Comp. + Outdoor fan motor)
2. Capacity tables show the average value of conditions which may occur.
3. ■■■■ is shown as reference. When selecting the outdoor units, avoid the outdoor air temperature range shown by ■■■■.

7. Capacity Tables

ARUB560LTE4

Heating Capacity(56HP)

Combination (%)	Outdoor air temp		Indoor air temp. °C DB											
			16		18		20		21		22		24	
	°C DB	°C WB	TC	PI	TC	PI	TC	PI	TC	PI	TC	PI	TC	PI
130	-24.8	-25	107.5	56.3	107.5	56.71	106.7	57.05	106.7	57.57	106.7	58.06	105.3	58.83
	-21.8	-22	130.9	57.10	130.9	57.50	130.1	57.83	130.1	58.35	130.1	58.83	128.3	59.61
	-19.8	-20	138.4	57.62	138.4	58.01	137.4	58.35	137.4	58.86	137.4	59.34	135.6	60.12
	-18.8	-19	141.4	57.87	141.4	58.26	140.6	58.60	140.6	59.11	140.6	59.61	138.6	60.39
	-16.7	-17	148.0	58.42	148.0	58.81	147.2	59.15	147.2	59.66	147.2	60.16	145.2	60.92
	-13.7	-15	157.5	59.20	157.5	59.59	156.6	59.93	156.6	60.45	156.6	60.92	154.4	58.77
	-11.8	-13	162.7	59.68	162.7	60.07	161.7	60.41	161.7	60.92	161.7	61.43	159.9	57.37
	-9.8	-11	168.1	60.21	168.1	60.59	167.2	60.92	167.2	61.43	167.2	61.94	165.6	55.94
	-9.5	-10	169.5	60.28	169.5	60.68	168.4	60.71	168.4	61.22	168.0	61.73	166.4	55.73
	-8.5	-9.1	173.7	60.55	173.7	60.92	172.6	60.93	172.6	61.43	170.6	61.94	169.4	55.00
	-7.0	-7.6	180.2	60.92	180.2	59.81	179.0	58.76	179.0	57.25	179.0	55.82	175.0	53.90
	-5.0	-5.6	188.5	59.52	188.5	58.32	187.4	57.21	187.4	55.70	187.4	54.29	181.1	52.45
	-3.0	-3.7	197.1	58.09	197.1	56.81	195.9	55.66	195.9	54.18	195.9	52.76	187.2	51.02
	0.0	-0.7	209.7	55.96	209.7	54.57	208.5	53.32	207.4	51.87	205.2	50.48	196.4	48.84
	3.0	2.2	217.2	53.82	217.2	52.32	216.0	51.00	214.4	49.57	212.2	48.17	198.6	46.66
	5.0	4.1	222.0	52.40	222.0	50.83	220.8	49.45	219.2	48.04	213.4	46.64	198.6	45.21
	7.0	6	226.6	50.97	226.6	49.34	225.4	47.90	221.2	46.50	213.4	45.11	198.6	43.76
9.0	7.9	227.4	49.81	227.4	48.21	226.8	46.82	221.2	45.44	213.4	44.09	198.6	42.78	
11.0	9.8	227.4	49.10	227.4	47.52	226.8	46.14	221.2	44.80	213.4	43.47	198.6	42.15	
13.0	11.8	227.4	48.33	227.4	46.76	226.8	45.40	221.2	44.09	213.4	42.78	198.6	41.49	
15.0	13.7	227.4	47.49	227.4	45.96	226.8	44.60	221.2	43.32	213.4	42.02	198.6	40.77	
120	-24.8	-25	106.7	56.71	106.7	57.05	105.9	57.57	105.9	58.06	105.9	58.83	104.5	59.38
	-21.8	-22	130.1	57.50	130.1	57.83	129.3	58.35	129.3	58.83	129.3	59.61	127.5	60.16
	-19.8	-20	137.4	58.01	137.4	58.35	136.5	58.86	136.5	59.34	136.5	60.12	134.5	60.68
	-18.8	-19	140.5	58.26	140.5	58.60	139.7	59.11	139.7	59.61	139.7	60.39	137.7	60.92
	-16.7	-17	147.1	58.81	147.1	59.15	146.1	59.66	146.1	60.16	146.1	60.92	144.1	59.52
	-13.7	-15	156.4	59.59	156.4	59.93	155.5	60.45	155.5	60.92	155.5	61.43	153.3	57.53
	-11.8	-13	161.6	60.07	161.6	60.41	160.6	60.92	160.6	61.43	160.6	61.94	158.8	56.27
	-9.8	-11	167.0	60.59	167.0	60.92	165.9	60.41	165.9	60.92	165.9	61.43	164.5	54.95
	-9.5	-10	168.3	60.68	168.3	60.68	167.2	60.41	167.2	60.92	167.2	61.43	165.6	54.74
	-8.5	-9.1	172.4	60.92	172.4	59.83	171.5	58.29	171.5	56.92	171.0	55.25	169.2	54.06
	-7.0	-7.6	178.8	59.69	178.8	58.57	177.7	57.09	177.7	55.77	175.8	54.23	173.6	53.07
	-5.0	-5.6	187.3	58.04	187.3	56.88	186.0	55.48	186.0	54.23	186.0	52.84	179.9	51.75
	-3.0	-3.7	195.7	56.36	195.7	55.20	194.5	53.87	194.5	52.68	193.7	51.46	186.0	50.41
	0.0	-0.7	208.3	53.88	207.8	52.68	204.5	51.46	202.5	50.37	200.7	49.39	186.6	48.41
	3.0	2.2	215.7	51.40	215.0	50.14	211.5	49.07	207.3	48.06	200.9	47.32	186.6	46.42
	5.0	4.1	220.3	49.74	219.6	48.46	214.5	47.46	207.3	46.53	200.9	45.93	186.6	45.08
	7.0	6	225.1	48.07	223.2	46.77	214.5	45.86	207.3	44.97	200.9	44.56	186.6	43.76
9.0	7.9	225.7	46.85	223.2	45.58	214.5	44.69	207.3	43.83	200.9	43.42	186.6	42.65	
11.0	9.8	225.7	46.05	223.2	44.80	214.5	43.92	207.3	43.08	200.9	42.67	186.6	41.92	
13.0	11.8	225.7	45.19	223.2	43.97	214.5	43.09	207.3	42.28	200.9	41.87	186.6	41.12	
15.0	13.7	225.7	44.25	223.2	43.04	214.5	42.20	207.3	41.39	200.9	41.00	186.6	40.26	
110	-24.8	-25	106.1	57.05	106.1	57.57	105.3	58.06	105.3	58.83	105.3	59.38	103.9	59.65
	-21.8	-22	129.3	57.83	129.3	58.35	128.5	58.83	128.5	59.61	128.5	60.16	126.7	60.41
	-19.8	-20	136.6	58.35	136.6	58.86	135.7	59.34	135.7	60.12	135.7	60.68	133.7	60.92
	-18.8	-19	139.7	58.60	139.7	59.11	138.9	59.61	138.9	60.39	138.9	60.92	136.9	60.19
	-16.7	-17	146.3	59.15	146.3	59.66	145.3	60.16	145.3	60.92	145.3	61.43	143.3	58.62
	-13.7	-15	155.5	59.93	155.5	60.45	154.5	60.92	154.5	61.43	154.5	61.94	152.5	57.37
	-11.8	-13	160.6	60.41	160.6	60.92	159.7	61.43	159.7	61.94	159.7	62.45	157.7	56.07
	-9.8	-11	166.1	60.92	166.1	60.41	165.0	60.92	165.0	61.43	165.0	61.94	163.0	55.77
	-9.5	-10	167.3	60.63	167.3	58.82	166.4	57.34	166.4	55.40	166.4	54.18	165.8	53.23
	-8.5	-9.1	171.5	59.66	171.5	57.91	170.4	56.50	170.4	54.64	170.2	53.45	167.4	52.49
	-7.0	-7.6	177.9	58.18	177.9	56.54	176.8	55.21	176.8	53.49	175.3	52.37	167.9	51.36
	-5.0	-5.6	186.2	56.22	186.2	54.73	185.1	53.52	184.1	51.95	179.0	50.92	167.9	49.87
	-3.0	-3.7	194.6	54.26	194.6	52.90	190.5	51.80	186.1	50.42	179.9	49.46	167.9	48.37
	0.0	-0.7	205.2	51.30	201.9	50.16	192.5	49.24	186.1	48.12	179.9	47.28	167.9	46.12
	3.0	2.2	212.2	48.37	205.1	47.42	192.5	46.68	186.1	45.81	179.9	45.10	167.9	43.88
	5.0	4.1	217.0	46.41	205.1	45.59	192.5	44.98	186.1	44.27	179.9	43.64	167.9	42.40
	7.0	6	217.0	44.42	205.1	43.76	192.5	43.26	186.1	42.74	179.9	42.21	167.9	40.89
9.0	7.9	217.0	43.11	205.1	42.45	192.5	41.98	186.1	41.48	179.9	40.93	167.9	39.68	
11.0	9.8	217.0	42.16	205.1	41.53	192.5	41.06	186.1	40.56	179.9	40.04	167.9	38.79	
13.0	11.8	217.0	41.14	205.1	40.53	192.5	40.06	186.1	39.58	179.9	39.06	167.9	37.87	
15.0	13.7	217.0	40.06	205.1	39.45	192.5	39.00	186.1	38.53	179.9	38.03	167.9	36.86	

Notes:

1. TC: Total Capacity(kW) PI: Power Input(kW)(Comp. + Outdoor fan motor)
2. Capacity tables show the average value of conditions which may occur.
3. ■■■ is shown as reference. When selecting the outdoor units, avoid the outdoor air temperature range shown by ■■■.

7. Capacity Tables

Heating Capacity(56HP)

Outdoor Units

Combination (%)	Outdoor air temp		Indoor air temp. °C DB											
			16		18		20		21		22		24	
	°C DB	°C WB	TC	PI	TC	PI	TC	PI	TC	PI	TC	PI	TC	PI
100	-24.8	-25	105.6	62.52	105.6	62.30	105.0	58.23	105.0	61.78	105.0	61.57	103.4	61.46
	-21.8	-22	128.8	62.20	128.8	61.98	128.0	60.07	128.0	61.48	128.0	62.01	126.2	61.14
	-19.8	-20	136.0	61.98	136.0	61.79	135.2	61.21	135.2	61.26	135.2	61.30	133.2	60.92
	-18.8	-19	139.2	61.87	138.3	61.68	138.3	61.48	138.3	61.15	138.3	60.92	136.3	60.00
	-16.7	-17	144.7	61.67	144.7	61.45	144.7	62.01	143.9	60.92	143.9	59.02	141.9	58.05
	-13.7	-15	154.7	61.34	154.7	61.13	153.9	60.92	153.9	58.19	153.9	56.29	151.7	55.26
	-11.8	-13	159.8	61.14	158.9	60.92	158.9	59.09	158.9	56.43	158.9	54.56	153.1	53.49
	-9.8	-11	165.3	60.92	165.3	58.87	164.4	57.17	164.4	54.59	162.8	52.74	153.4	51.64
	-9.5	-10	166.4	60.60	166.4	58.57	165.6	56.87	165.6	54.32	163.4	52.47	153.4	51.37
	-8.5	-9.1	170.7	59.55	170.7	57.55	169.8	55.90	170.4	53.40	164.8	51.57	153.4	50.43
	-7.0	-7.6	179.9	57.94	179.1	56.01	176.0	54.47	170.4	52.02	164.8	50.20	153.4	49.04
	-5.0	-5.6	187.7	55.81	185.8	53.96	176.0	52.53	170.4	50.18	164.8	48.38	153.4	47.19
	-3.0	-3.7	193.1	53.68	187.2	51.91	176.0	50.60	170.4	48.34	164.8	46.56	153.4	45.33
	0.0	-0.7	198.6	50.47	187.2	48.84	176.0	47.69	170.4	45.59	164.8	43.83	153.4	42.53
	3.0	2.2	198.6	47.29	187.2	45.76	176.0	44.80	170.4	42.85	164.8	41.12	153.4	39.76
	5.0	4.1	198.6	45.14	187.2	43.71	176.0	42.88	170.4	41.01	164.8	39.30	153.4	37.90
	7.0	6	198.6	43.01	187.2	41.66	176.0	40.94	170.4	39.17	164.8	37.48	153.4	36.05
9.0	7.9	198.6	41.50	187.2	40.18	176.0	39.49	170.4	37.78	164.8	36.15	153.4	34.76	
11.0	9.8	198.6	40.32	187.2	39.05	176.0	38.37	170.4	36.71	164.8	35.13	153.4	33.78	
13.0	11.8	198.6	39.07	187.2	37.85	176.0	37.19	170.4	35.58	164.8	34.04	153.4	32.74	
15.0	13.7	198.6	37.75	187.2	36.56	176.0	35.93	170.4	34.36	164.8	32.89	153.4	31.62	
90	-24.8	-25	105.3	55.91	105.3	56.69	104.5	57.25	104.5	57.49	104.5	58.01	103.1	58.79
	-21.8	-22	128.2	56.69	128.2	57.48	127.4	58.01	127.4	58.28	127.4	58.79	125.6	56.33
	-19.8	-20	135.5	57.21	135.5	57.99	134.6	58.54	134.6	58.79	134.6	57.13	132.8	54.70
	-18.8	-19	139.2	57.48	138.3	58.24	137.8	58.79	137.8	57.94	137.8	56.28	135.8	53.89
	-16.7	-17	144.7	58.01	144.7	58.79	144.1	57.03	144.1	56.13	144.1	54.53	139.3	52.16
	-13.7	-15	154.7	58.79	154.7	56.17	153.3	54.51	153.3	53.57	149.9	52.04	140.3	49.70
	-11.8	-13	159.8	57.01	158.9	54.52	158.4	52.89	155.0	51.94	151.1	50.44	140.3	48.15
	-9.8	-11	165.3	55.11	165.3	52.77	159.9	51.22	156.1	50.21	151.1	48.78	140.3	46.51
	-9.5	-10	166.4	54.85	166.4	52.50	160.4	50.97	156.1	49.97	151.1	48.52	140.3	46.27
	-8.5	-9.1	170.7	53.90	169.4	51.63	160.9	50.12	156.1	49.10	151.1	47.69	140.3	45.45
	-7.0	-7.6	179.9	52.49	171.0	50.33	160.9	48.85	156.1	47.82	151.1	46.44	140.3	44.22
	-5.0	-5.6	181.8	50.61	171.0	48.58	160.9	47.18	156.1	46.11	151.1	44.76	140.3	42.58
	-3.0	-3.7	181.8	48.73	171.0	46.83	160.9	45.50	156.1	44.38	151.1	43.10	140.3	40.95
	0.0	-0.7	181.8	45.90	171.0	44.22	160.9	42.97	156.1	41.82	151.1	40.59	140.3	38.49
	3.0	2.2	181.8	43.07	171.0	41.60	160.9	40.45	156.1	39.24	151.1	38.09	140.3	36.05
	5.0	4.1	181.8	41.19	171.0	39.85	160.9	38.75	156.1	37.53	151.1	36.41	140.3	34.40
	7.0	6	181.8	39.31	171.0	38.10	160.9	37.07	156.1	35.80	151.1	34.75	140.3	32.76
9.0	7.9	181.8	37.53	171.0	36.37	160.9	35.40	156.1	34.18	151.1	33.16	140.3	31.28	
11.0	9.8	181.8	35.75	171.0	34.64	160.9	33.70	156.1	32.56	151.1	31.59	140.3	29.79	
13.0	11.8	181.8	33.96	171.0	32.91	160.9	32.02	156.1	30.94	151.1	30.02	140.3	28.30	
15.0	13.7	181.8	32.16	171.0	31.18	160.9	30.35	156.1	29.31	151.1	28.43	140.3	26.81	
80	-24.8	-25	104.8	49.26	104.8	50.03	104.2	50.58	104.2	50.85	104.2	52.14	102.6	49.98
	-21.8	-22	126.9	50.03	126.9	50.81	126.9	51.36	126.9	52.14	126.9	49.98	123.7	47.89
	-19.8	-20	134.1	50.56	134.1	51.32	134.1	52.14	134.1	50.62	132.3	48.54	125.4	46.50
	-18.8	-19	137.2	50.81	137.2	52.14	137.2	51.37	136.8	49.85	133.2	47.81	125.4	45.80
	-16.7	-17	142.1	52.14	142.1	50.53	142.1	49.75	138.9	48.25	134.7	46.29	125.4	44.35
	-13.7	-15	144.1	49.78	144.1	48.26	144.1	47.45	139.7	45.98	134.7	44.15	125.4	42.27
	-11.8	-13	147.1	48.27	144.1	46.80	144.1	45.99	139.7	44.53	134.7	42.78	125.4	40.95
	-9.8	-11	153.7	46.70	149.5	45.28	144.1	44.45	139.7	43.01	134.7	41.34	125.4	39.58
	-9.5	-10	154.7	46.47	150.4	45.07	144.1	44.23	139.7	42.78	134.7	41.13	125.4	39.37
	-8.5	-9.1	157.9	45.67	153.4	44.30	144.1	43.46	139.7	42.02	134.7	40.40	125.4	38.67
	-7.0	-7.6	162.8	44.50	153.4	43.16	144.1	42.31	139.7	40.88	134.7	39.31	125.4	37.63
	-5.0	-5.6	162.8	42.93	153.4	41.64	144.1	40.77	139.7	39.36	134.7	37.89	125.4	36.24
	-3.0	-3.7	162.8	41.34	153.4	40.12	144.1	39.22	139.7	37.83	134.7	36.45	125.4	34.87
	0.0	-0.7	162.8	39.00	153.4	37.83	144.1	36.93	139.7	35.56	134.7	34.28	125.4	32.78
	3.0	2.2	162.8	36.64	153.4	35.55	144.1	34.61	139.7	33.27	134.7	32.12	125.4	30.69
	5.0	4.1	162.8	35.05	153.4	34.03	144.1	33.09	139.7	31.77	134.7	30.67	125.4	29.32
	7.0	6	162.8	33.48	153.4	32.51	144.1	31.55	139.7	30.25	134.7	29.25	125.4	27.93
9.0	7.9	162.8	31.44	153.4	30.53	144.1	29.62	139.7	28.40	134.7	27.46	125.4	26.22	
11.0	9.8	162.8	29.17	153.4	28.34	144.1	27.49	139.7	26.35	134.7	25.49	125.4	24.34	
13.0	11.8	162.8	27.24	153.4	26.44	144.1	25.66	139.7	24.59	134.7	23.79	125.4	22.71	
15.0	13.7	162.8	25.64	153.4	24.89	144.1	24.17	139.7	23.15	134.7	22.40	125.4	21.38	

Notes:

1. TC: Total Capacity(kW) PI : Power Input(kW)(Comp. + Outdoor fan motor)
2. Capacity tables show the average value of conditions which may occur.
3. ■■■■ is shown as reference. When selecting the outdoor units, avoid the outdoor air temperature range shown by ■■■■.

7. Capacity Tables

Heating Capacity(56HP)

Combination (%)	Outdoor air temp		Indoor air temp. °C DB											
			16		18		20		21		22		24	
	°C DB	°C WB	TC	PI	TC	PI	TC	PI	TC	PI	TC	PI	TC	PI
70	-24.8	-25	104.8	49.18	104.8	49.44	104.2	49.96	104.2	50.74	104.2	48.39	102.6	46.18
	-21.8	-22	122.3	49.96	122.5	50.23	121.7	50.74	118.4	48.39	114.8	46.18	107.3	44.05
	-19.8	-20	131.9	50.47	129.3	50.74	122.6	49.09	118.4	46.82	114.8	44.72	107.3	42.63
	-18.8	-19	135.6	50.74	130.2	49.89	122.6	48.27	118.4	46.03	114.8	43.97	107.3	41.91
	-16.7	-17	137.7	48.97	130.4	48.11	122.6	46.54	118.4	44.40	114.8	42.45	107.3	40.41
	-13.7	-15	138.0	46.47	130.4	45.56	122.6	44.07	118.4	42.03	114.8	40.24	107.3	38.27
	-11.8	-13	138.0	44.88	130.4	43.94	122.6	42.50	118.4	40.54	114.8	38.85	107.3	36.93
	-9.8	-11	138.0	43.21	130.4	42.24	122.6	40.87	118.4	38.99	114.8	37.38	107.3	35.51
	-9.5	-10	138.0	42.95	130.4	41.98	122.6	40.61	118.4	38.75	114.8	37.16	107.3	35.30
	-8.5	-9.1	138.0	42.13	130.4	41.13	122.6	39.79	118.4	37.96	114.8	36.42	107.3	34.58
	-7.0	-7.6	138.0	40.86	130.4	39.88	122.6	38.56	118.4	36.78	114.8	35.32	107.3	33.51
	-5.0	-5.6	138.0	39.19	130.4	38.18	122.6	36.91	118.4	35.23	114.8	33.86	107.3	32.09
	-3.0	-3.7	138.0	37.52	130.4	36.48	122.6	35.27	118.4	33.66	114.8	32.39	107.3	30.67
	0.0	-0.7	138.0	35.00	130.4	33.93	122.6	32.81	118.4	31.32	114.8	30.18	107.3	28.53
	3.0	2.2	138.0	32.51	130.4	31.38	122.6	30.34	118.4	28.95	114.8	27.99	107.3	26.40
	5.0	4.1	138.0	30.84	130.4	29.68	122.6	28.69	118.4	27.40	114.8	26.52	107.3	24.98
	7.0	6	138.0	29.15	130.4	27.98	122.6	27.05	118.4	25.83	114.8	25.05	107.3	23.54
	9.0	7.9	138.0	26.33	130.4	25.28	122.6	24.42	118.4	23.32	114.8	22.62	107.3	21.27
11.0	9.8	138.0	24.51	130.4	23.53	122.6	22.74	118.4	21.71	114.8	21.05	107.3	19.80	
13.0	11.8	138.0	22.93	130.4	22.02	122.6	21.27	118.4	20.31	114.8	19.70	107.3	18.51	
15.0	13.7	138.0	21.63	130.4	20.75	122.6	20.06	118.4	19.15	114.8	18.57	107.3	17.46	
60	-24.8	-25	103.6	48.52	103.6	49.06	102.8	49.82	100.4	47.31	97.8	44.93	91.9	42.71
	-21.8	-22	112.5	49.30	112.1	49.82	105.1	47.31	101.7	44.93	98.1	42.71	91.9	40.54
	-19.8	-20	118.4	49.82	112.1	48.05	105.1	45.62	101.7	43.35	98.1	41.22	91.9	39.10
	-18.8	-19	118.4	48.93	112.1	47.16	105.1	44.78	101.7	42.56	98.1	40.46	91.9	38.38
	-16.7	-17	118.4	47.06	112.1	45.29	105.1	43.01	101.7	40.91	98.1	38.90	91.9	36.87
	-13.7	-15	118.4	44.36	112.1	42.63	105.1	40.50	101.7	38.54	98.1	36.68	91.9	34.70
	-11.8	-13	118.4	42.68	112.1	40.94	105.1	38.90	101.7	37.03	98.1	35.27	91.9	33.34
	-9.8	-11	118.4	40.89	112.1	39.15	105.1	37.21	101.7	35.45	98.1	33.79	91.9	31.91
	-9.5	-10	118.4	40.61	112.1	38.89	105.1	36.97	101.7	35.21	98.1	33.55	91.9	31.69
	-8.5	-9.1	118.4	39.71	112.1	38.00	105.1	36.13	101.7	34.44	98.1	32.81	91.9	30.96
	-7.0	-7.6	118.4	38.38	112.1	36.68	105.1	34.86	101.7	33.25	98.1	31.70	91.9	29.89
	-5.0	-5.6	118.4	36.59	112.1	34.89	105.1	33.17	101.7	31.67	98.1	30.22	91.9	28.43
	-3.0	-3.7	118.4	34.81	112.1	33.12	105.1	31.51	101.7	30.09	98.1	28.73	91.9	27.00
	0.0	-0.7	118.4	32.13	112.1	30.44	105.1	28.98	101.7	27.73	98.1	26.49	91.9	24.85
	3.0	2.2	118.4	29.43	112.1	27.78	105.1	26.45	101.7	25.35	98.1	24.26	91.9	22.67
	5.0	4.1	118.4	27.64	112.1	25.99	105.1	24.78	101.7	23.77	98.1	22.78	91.9	21.24
	7.0	6	118.4	25.86	112.1	24.23	105.1	23.09	101.7	22.19	98.1	21.30	91.9	19.80
	9.0	7.9	118.4	23.07	112.1	21.61	105.1	20.61	101.7	19.81	98.1	19.00	91.9	17.68
11.0	9.8	118.4	21.55	112.1	20.19	105.1	19.25	101.7	18.48	98.1	17.74	91.9	16.49	
13.0	11.8	118.4	20.19	112.1	18.90	105.1	18.02	101.7	17.32	98.1	16.63	91.9	15.45	
15.0	13.7	118.4	19.09	112.1	17.87	105.1	17.04	101.7	16.38	98.1	15.71	91.9	14.61	
50	-24.8	-25	98.9	42.51	93.3	43.27	87.7	41.04	84.9	38.94	81.9	36.96	76.3	35.10
	-21.8	-22	98.9	43.27	93.3	41.04	87.7	38.94	84.9	36.96	81.9	35.10	76.3	33.32
	-19.8	-20	98.9	41.71	93.3	39.55	87.7	37.54	84.9	35.62	81.9	33.86	76.3	32.13
	-18.8	-19	98.9	40.93	93.3	38.80	87.7	36.84	84.9	34.97	81.9	33.24	76.3	31.53
	-16.7	-17	98.9	39.32	93.3	37.24	87.7	35.38	84.9	33.57	81.9	31.95	76.3	30.27
	-13.7	-15	98.9	36.98	93.3	34.98	87.7	33.28	84.9	31.60	81.9	30.11	76.3	28.48
	-11.8	-13	98.9	35.50	93.3	33.58	87.7	31.96	84.9	30.33	81.9	28.93	76.3	27.35
	-9.8	-11	98.9	33.94	93.3	32.07	87.7	30.56	84.9	29.01	81.9	27.69	76.3	26.16
	-9.5	-10	98.9	33.70	93.3	31.86	87.7	30.34	84.9	28.80	81.9	27.52	76.3	25.99
	-8.5	-9.1	98.9	32.92	93.3	31.11	87.7	29.64	84.9	28.15	81.9	26.90	76.3	25.40
	-7.0	-7.6	98.9	31.77	93.3	30.00	87.7	28.59	84.9	27.15	81.9	25.96	76.3	24.51
	-5.0	-5.6	98.9	30.21	93.3	28.49	87.7	27.19	84.9	25.83	81.9	24.74	76.3	23.30
	-3.0	-3.7	98.9	28.65	93.3	27.01	87.7	25.81	84.9	24.51	81.9	23.50	76.3	22.11
	0.0	-0.7	98.9	26.31	93.3	24.75	87.7	23.71	84.9	22.51	81.9	21.64	76.3	20.32
	3.0	2.2	98.9	23.97	93.3	22.52	87.7	21.61	84.9	20.52	81.9	19.80	76.3	18.54
	5.0	4.1	98.9	22.42	93.3	21.04	87.7	20.21	84.9	19.20	81.9	18.56	76.3	17.35
	7.0	6	98.9	20.86	93.3	19.53	87.7	18.81	84.9	17.87	81.9	17.32	76.3	16.16
	9.0	7.9	98.9	18.84	93.3	17.65	87.7	16.99	84.9	16.14	81.9	15.64	76.3	14.59
11.0	9.8	98.9	17.63	93.3	16.50	87.7	15.89	84.9	15.11	81.9	14.64	76.3	13.65	
13.0	11.8	98.9	16.55	93.3	15.50	87.7	14.92	84.9	14.17	81.9	13.73	76.3	12.82	
15.0	13.7	98.9	15.66	93.3	14.67	87.7	14.12	84.9	13.42	81.9	13.01	76.3	12.13	

Notes:

1. TC: Total Capacity(kW) PI : Power Input(kW)(Comp. + Outdoor fan motor)
2. Capacity tables show the average value of conditions which may occur.
3. ■■■ is shown as reference. When selecting the outdoor units, avoid the outdoor air temperature range shown by ■■■ .

7. Capacity Tables

ARUB580LTE4

Heating Capacity(58HP)

Combination (%)	Outdoor air temp		Indoor air temp. °C DB											
			16		18		20		21		22		24	
	°C DB	°C WB	TC	PI	TC	PI	TC	PI	TC	PI	TC	PI	TC	PI
130	-24.8	-25	116.3	61.7	116.3	61.98	115.4	62.21	115.4	62.55	115.4	62.89	113.3	63.40
	-21.8	-22	140.2	62.25	140.2	62.51	139.3	62.74	139.3	63.08	139.3	63.40	136.7	63.92
	-19.8	-20	147.5	62.59	147.5	62.85	146.4	63.08	146.4	63.42	146.4	63.74	143.7	64.27
	-18.8	-19	150.4	62.75	150.4	63.01	149.5	63.24	149.5	63.59	149.5	63.92	146.6	64.45
	-16.7	-17	156.9	63.12	156.9	63.39	155.9	63.61	155.9	63.96	155.9	64.29	153.0	64.80
	-13.7	-15	166.2	63.65	166.2	63.91	165.2	64.14	165.2	64.48	165.2	64.80	162.1	62.36
	-11.8	-13	171.6	63.97	171.6	64.23	170.5	64.46	170.5	64.80	170.5	63.15	167.7	60.78
	-9.8	-11	177.2	64.33	177.2	64.57	176.3	64.80	176.3	63.04	176.3	61.40	173.7	59.16
	-9.5	-10	178.3	64.37	178.3	64.64	177.2	64.54	177.2	62.77	177.1	61.15	174.6	58.91
	-8.5	-9.1	181.8	64.56	181.8	64.80	180.7	63.64	180.7	61.90	179.8	60.27	177.6	58.09
	-7.0	-7.6	187.0	64.80	187.0	63.48	185.9	62.28	185.9	60.58	185.9	58.98	182.2	56.85
	-5.0	-5.6	193.8	63.11	193.8	61.73	192.6	60.48	192.6	58.80	192.6	57.24	188.1	55.21
	-3.0	-3.7	200.7	61.40	200.7	59.95	199.5	58.69	199.5	57.04	199.5	55.49	194.1	53.59
	0.0	-0.7	210.9	58.83	210.9	57.32	209.7	55.97	209.7	54.39	209.7	52.89	203.1	51.12
	3.0	2.2	221.4	56.27	221.4	54.67	219.9	53.27	219.9	51.75	219.9	50.26	206.2	48.66
	5.0	4.1	228.3	54.56	228.3	52.91	226.9	51.47	226.9	49.99	221.6	48.52	206.2	47.02
	7.0	6	235.1	52.85	235.1	51.16	233.6	49.67	229.6	48.21	221.6	46.78	206.2	45.38
	9.0	7.9	236.1	51.44	236.1	49.79	235.5	48.35	229.6	46.93	221.6	45.53	206.2	44.18
11.0	9.8	236.1	50.49	236.1	48.86	235.5	47.44	229.6	46.07	221.6	44.70	206.2	43.34	
13.0	11.8	236.1	49.46	236.1	47.85	235.5	46.46	229.6	45.12	221.6	43.79	206.2	42.46	
15.0	13.7	236.1	48.35	236.1	46.80	235.5	45.42	229.6	44.11	221.6	42.79	206.2	41.51	
120	-24.8	-25	115.4	61.98	115.4	62.21	114.6	62.55	114.6	62.89	114.6	63.40	112.5	63.77
	-21.8	-22	139.3	62.51	139.3	62.74	138.4	63.08	138.4	63.40	138.4	63.92	135.8	64.29
	-19.8	-20	146.3	62.85	146.3	63.08	145.4	63.42	145.4	63.74	145.4	64.27	142.6	64.64
	-18.8	-19	149.4	63.01	149.4	63.24	148.5	63.59	148.5	63.92	148.5	64.45	145.7	64.80
	-16.7	-17	155.9	63.39	155.9	63.61	154.8	63.96	154.8	64.29	154.8	64.80	151.9	63.22
	-13.7	-15	165.0	63.91	165.0	64.14	164.1	64.48	164.1	64.80	164.1	62.45	160.9	60.96
	-11.8	-13	170.5	64.23	170.5	64.46	169.3	64.80	169.3	63.14	169.3	60.95	166.6	59.53
	-9.8	-11	176.0	64.57	176.0	64.80	174.9	62.98	174.9	61.38	174.9	59.39	172.5	58.03
	-9.5	-10	177.1	64.64	177.1	64.52	176.0	62.70	176.0	61.12	176.0	59.15	173.4	57.80
	-8.5	-9.1	180.4	64.80	180.4	63.54	179.5	61.78	179.5	60.24	179.3	58.36	176.5	57.04
	-7.0	-7.6	185.6	63.36	185.6	62.09	184.4	60.40	184.4	58.92	184.0	57.19	180.8	55.91
	-5.0	-5.6	192.5	61.44	192.5	60.14	191.2	58.56	191.2	57.18	191.2	55.61	186.9	54.41
	-3.0	-3.7	199.3	59.49	199.3	58.20	198.1	56.73	198.1	55.41	198.1	54.05	192.9	52.90
	0.0	-0.7	209.5	56.60	209.5	55.30	208.3	53.97	208.3	52.78	208.3	51.70	193.7	50.64
	3.0	2.2	219.9	53.72	219.9	52.38	218.4	51.23	215.2	50.15	208.5	49.34	193.7	48.38
	5.0	4.1	226.6	51.79	226.6	50.44	222.7	49.39	215.2	48.40	208.5	47.76	193.7	46.87
	7.0	6	233.5	49.84	231.7	48.50	222.7	47.55	215.2	46.63	208.5	46.20	193.7	45.37
	9.0	7.9	234.3	48.40	231.7	47.08	222.7	46.16	215.2	45.28	208.5	44.85	193.7	44.05
11.0	9.8	234.3	47.37	231.7	46.09	222.7	45.18	215.2	44.32	208.5	43.90	193.7	43.12	
13.0	11.8	234.3	46.28	231.7	45.03	222.7	44.13	215.2	43.30	208.5	42.88	193.7	42.11	
15.0	13.7	234.3	45.11	231.7	43.87	222.7	43.01	215.2	42.19	208.5	41.80	193.7	41.04	
110	-24.8	-25	114.8	62.21	114.8	62.55	114.0	62.89	114.0	63.40	114.0	63.77	111.9	63.95
	-21.8	-22	138.5	62.74	138.5	63.08	137.6	63.40	137.6	63.92	137.6	64.29	135.0	64.46
	-19.8	-20	145.5	63.08	145.5	63.42	144.6	63.74	144.6	64.27	144.6	64.64	141.7	64.80
	-18.8	-19	148.6	63.24	148.6	63.59	147.7	63.92	147.7	64.45	147.7	64.80	144.8	63.98
	-16.7	-17	155.0	63.61	155.0	63.96	153.9	64.29	153.9	64.80	153.9	63.10	151.0	62.22
	-13.7	-15	164.1	64.14	164.1	64.48	163.0	64.80	163.0	62.22	163.0	60.65	163.0	59.70
	-11.8	-13	169.4	64.46	169.4	64.80	168.4	62.97	168.4	60.58	168.4	59.10	168.4	58.12
	-9.8	-11	175.1	64.80	175.1	62.73	174.0	61.05	174.0	58.85	174.0	57.46	172.5	56.46
	-9.5	-10	176.0	64.46	176.0	62.42	175.1	60.76	175.1	58.58	175.1	57.22	174.3	56.19
	-8.5	-9.1	179.5	63.36	179.5	61.39	178.4	59.81	178.4	57.72	178.4	56.40	174.3	55.37
	-7.0	-7.6	184.7	61.68	184.7	59.84	183.5	58.35	183.5	56.42	183.5	55.19	174.3	54.11
	-5.0	-5.6	191.4	59.45	191.4	57.79	190.2	56.43	190.2	54.69	186.7	53.55	174.3	52.44
	-3.0	-3.7	198.1	57.23	198.1	55.72	197.0	54.49	193.2	52.96	186.7	51.92	174.3	50.76
	0.0	-0.7	208.3	53.87	208.3	52.62	199.8	51.61	193.2	50.38	186.7	49.47	174.3	48.25
	3.0	2.2	218.5	50.54	212.9	49.51	199.8	48.72	193.2	47.77	186.7	47.01	174.3	45.74
	5.0	4.1	225.3	48.31	212.9	47.44	199.8	46.80	193.2	46.04	186.7	45.38	174.3	44.08
	7.0	6	225.3	46.06	212.9	45.37	199.8	44.86	193.2	44.32	186.7	43.76	174.3	42.40
	9.0	7.9	225.3	44.54	212.9	43.86	199.8	43.37	193.2	42.85	186.7	42.29	174.3	41.00
11.0	9.8	225.3	43.39	212.9	42.73	199.8	42.25	193.2	41.74	186.7	41.20	174.3	39.92	
13.0	11.8	225.3	42.15	212.9	41.52	199.8	41.04	193.2	40.55	186.7	40.02	174.3	38.79	
15.0	13.7	225.3	40.84	212.9	40.22	199.8	39.77	193.2	39.29	186.7	38.78	174.3	37.59	

Notes:

1. TC: Total Capacity(kW) PI : Power Input(kW)(Comp. + Outdoor fan motor)
2. Capacity tables show the average value of conditions which may occur.
3. ■■■ is shown as reference. When selecting the outdoor units, avoid the outdoor air temperature range shown by ■■■ .

7. Capacity Tables

Heating Capacity(58HP)

Combination (%)	Outdoor air temp		Indoor air temp. °C DB											
			16		18		20		21		22		24	
	°C DB	°C WB	TC	PI	TC	PI	TC	PI	TC	PI	TC	PI	TC	PI
100	-24.8	-25	114.2	67.00	114.2	66.70	113.6	62.21	113.6	65.98	113.6	65.69	111.3	65.54
	-21.8	-22	137.9	66.55	137.9	66.26	137.0	64.18	137.0	65.56	137.0	65.91	134.4	65.10
	-19.8	-20	144.9	66.26	144.9	65.98	144.0	65.37	144.0	65.26	144.0	65.18	141.2	64.80
	-18.8	-19	148.0	66.11	147.1	65.83	147.1	65.56	147.1	65.11	147.1	64.80	144.2	63.78
	-16.7	-17	153.3	65.82	153.3	65.52	153.3	65.91	152.5	64.80	152.5	62.70	149.6	61.63
	-13.7	-15	163.3	65.37	163.3	65.08	162.4	64.80	162.4	61.75	162.4	59.67	159.2	58.55
	-11.8	-13	168.5	65.10	167.6	64.80	167.6	62.75	167.6	59.80	167.6	57.76	159.2	56.61
	-9.8	-11	174.2	64.80	174.2	62.50	173.4	60.60	173.4	57.76	171.1	55.75	159.2	54.57
	-9.5	-10	175.1	64.44	175.1	62.16	174.3	60.27	174.3	57.46	171.1	55.45	159.2	54.27
	-8.5	-9.1	178.6	63.25	178.6	61.01	177.7	59.18	176.9	56.44	171.1	54.45	159.2	53.23
	-7.0	-7.6	186.7	61.43	185.9	59.29	182.7	57.58	176.9	54.90	171.1	52.93	159.2	51.70
	-5.0	-5.6	194.9	59.03	192.9	56.99	182.7	55.41	176.9	52.86	171.1	50.92	159.2	49.66
	-3.0	-3.7	200.4	56.63	194.3	54.69	182.7	53.26	176.9	50.81	171.1	48.91	159.2	47.61
	0.0	-0.7	206.2	53.01	194.3	51.24	182.7	50.00	176.9	47.75	171.1	45.89	159.2	44.53
	3.0	2.2	206.2	49.42	194.3	47.79	182.7	46.77	176.9	44.70	171.1	42.88	159.2	41.47
	5.0	4.1	206.2	47.00	194.3	45.50	182.7	44.62	176.9	42.66	171.1	40.87	159.2	39.41
	7.0	6	206.2	44.60	194.3	43.20	182.7	42.45	176.9	40.62	171.1	38.87	159.2	37.38
	9.0	7.9	206.2	42.76	194.3	41.40	182.7	40.69	176.9	38.93	171.1	37.25	159.2	35.82
11.0	9.8	206.2	41.27	194.3	39.97	182.7	39.27	176.9	37.57	171.1	35.96	159.2	34.57	
13.0	11.8	206.2	39.68	194.3	38.44	182.7	37.77	176.9	36.14	171.1	34.57	159.2	33.26	
15.0	13.7	206.2	38.01	194.3	36.82	182.7	36.18	176.9	34.60	171.1	33.12	159.2	31.85	
90	-24.8	-25	113.9	60.56	113.9	61.09	113.1	61.46	113.1	61.62	113.1	61.96	111.0	62.49
	-21.8	-22	137.3	61.09	137.3	61.61	136.4	61.96	136.4	62.15	136.4	62.49	133.8	59.80
	-19.8	-20	144.3	61.43	144.3	61.96	143.4	62.33	143.4	62.49	143.4	60.66	140.8	58.01
	-18.8	-19	148.0	61.61	147.1	62.12	146.5	62.49	146.5	61.55	146.5	59.73	143.6	57.12
	-16.7	-17	153.3	61.96	153.3	62.49	152.7	60.54	152.7	59.55	152.7	57.80	145.6	55.22
	-13.7	-15	163.3	62.49	163.3	59.57	161.8	57.75	161.8	56.73	156.9	55.06	145.6	52.53
	-11.8	-13	168.5	60.51	167.6	57.74	167.0	55.96	162.1	54.93	156.9	53.30	145.6	50.83
	-9.8	-11	174.2	58.39	174.2	55.80	167.1	54.10	162.1	53.03	156.9	51.47	145.6	49.04
	-9.5	-10	175.1	58.09	175.1	55.51	167.1	53.83	162.1	52.76	156.9	51.19	145.6	48.77
	-8.5	-9.1	178.6	57.03	177.2	54.53	167.1	52.89	162.1	51.79	156.9	50.27	145.6	47.87
	-7.0	-7.6	186.7	55.46	177.5	53.09	167.1	51.48	162.1	50.38	156.9	48.89	145.6	46.52
	-5.0	-5.6	188.8	53.36	177.5	51.14	167.1	49.63	162.1	48.49	156.9	47.05	145.6	44.73
	-3.0	-3.7	188.8	51.27	177.5	49.20	167.1	47.77	162.1	46.59	156.9	45.22	145.6	42.94
	0.0	-0.7	188.8	48.11	177.5	46.30	167.1	44.97	162.1	43.76	156.9	42.46	145.6	40.25
	3.0	2.2	188.8	44.95	177.5	43.39	167.1	42.18	162.1	40.92	156.9	39.70	145.6	37.57
	5.0	4.1	188.8	42.86	177.5	41.44	167.1	40.30	162.1	39.03	156.9	37.86	145.6	35.76
	7.0	6	188.8	40.76	177.5	39.50	167.1	38.44	162.1	37.13	156.9	36.03	145.6	33.97
	9.0	7.9	188.8	38.79	177.5	37.59	167.1	36.58	162.1	35.33	156.9	34.27	145.6	32.32
11.0	9.8	188.8	36.81	177.5	35.67	167.1	34.71	162.1	33.53	156.9	32.53	145.6	30.68	
13.0	11.8	188.8	34.84	177.5	33.76	167.1	32.85	162.1	31.73	156.9	30.79	145.6	29.03	
15.0	13.7	188.8	32.85	177.5	31.85	167.1	30.99	162.1	29.94	156.9	29.03	145.6	27.38	
80	-24.8	-25	113.3	53.49	113.3	54.00	112.7	54.37	112.7	54.55	112.7	55.42	110.4	53.05
	-21.8	-22	135.9	54.00	135.9	54.52	135.9	54.90	135.9	55.42	135.9	53.05	130.2	50.77
	-19.8	-20	142.8	54.36	142.8	54.87	142.8	55.42	142.8	53.75	139.8	51.47	130.2	49.25
	-18.8	-19	145.9	54.52	145.9	55.42	145.9	54.57	145.0	52.90	139.8	50.68	130.2	48.49
	-16.7	-17	149.6	55.42	149.6	53.64	149.6	52.78	145.0	51.15	139.8	49.01	130.2	46.91
	-13.7	-15	149.6	52.80	149.6	51.13	149.6	50.25	145.0	48.65	139.8	46.66	130.2	44.63
	-11.8	-13	153.9	51.13	150.0	49.52	149.6	48.64	145.0	47.06	139.8	45.16	130.2	43.19
	-9.8	-11	160.3	49.39	155.6	47.84	149.6	46.94	145.0	45.39	139.8	43.58	130.2	41.69
	-9.5	-10	161.2	49.12	156.4	47.60	149.6	46.70	145.0	45.13	139.8	43.35	130.2	41.46
	-8.5	-9.1	164.3	48.24	159.2	46.75	149.6	45.85	145.0	44.30	139.8	42.56	130.2	40.70
	-7.0	-7.6	169.0	46.94	159.2	45.48	149.6	44.58	145.0	43.05	139.8	41.36	130.2	39.56
	-5.0	-5.6	169.0	45.20	159.2	43.80	149.6	42.88	145.0	41.37	139.8	39.80	130.2	38.04
	-3.0	-3.7	169.0	43.44	159.2	42.13	149.6	41.18	145.0	39.70	139.8	38.22	130.2	36.54
	0.0	-0.7	169.0	40.84	159.2	39.60	149.6	38.65	145.0	37.20	139.8	35.85	130.2	34.26
	3.0	2.2	169.0	38.22	159.2	37.07	149.6	36.09	145.0	34.69	139.8	33.47	130.2	31.98
	5.0	4.1	169.0	36.46	159.2	35.39	149.6	34.41	145.0	33.03	139.8	31.89	130.2	30.48
	7.0	6	169.0	34.72	159.2	33.71	149.6	32.71	145.0	31.36	139.8	30.33	130.2	28.96
	9.0	7.9	169.0	32.60	159.2	31.65	149.6	30.71	145.0	29.44	139.8	28.47	130.2	27.18
11.0	9.8	169.0	30.25	159.2	29.38	149.6	28.50	145.0	27.32	139.8	26.43	130.2	25.23	
13.0	11.8	169.0	28.24	159.2	27.41	149.6	26.61	145.0	25.50	139.8	24.66	130.2	23.55	
15.0	13.7	169.0	26.58	159.2	25.81	149.6	25.06	145.0	24.01	139.8	23.23	130.2	22.17	

Notes:

1. TC: Total Capacity(kW) PI : Power Input(kW)(Comp. + Outdoor fan motor)
2. Capacity tables show the average value of conditions which may occur.
3. ■■■ is shown as reference. When selecting the outdoor units, avoid the outdoor air temperature range shown by ■■■ .

7. Capacity Tables

Heating Capacity(58HP)

Combination (%)	Outdoor air temp		Indoor air temp. °C DB											
			16		18		20		21		22		24	
	°C DB	°C WB	TC	PI	TC	PI	TC	PI	TC	PI	TC	PI	TC	PI
70	-24.8	-25	113.3	53.07	113.3	53.25	112.7	53.60	112.7	54.12	112.7	51.55	109.5	49.13
	-21.8	-22	128.2	53.60	128.2	53.78	127.3	54.12	123.0	51.55	119.2	49.13	111.3	46.79
	-19.8	-20	138.0	53.94	135.4	54.12	127.3	52.31	123.0	49.82	119.2	47.52	111.3	45.24
	-18.8	-19	142.0	54.12	135.4	53.18	127.3	51.40	123.0	48.95	119.2	46.70	111.3	44.46
	-16.7	-17	143.3	52.16	135.4	51.22	127.3	49.50	123.0	47.16	119.2	45.03	111.3	42.82
	-13.7	-15	143.3	49.40	135.4	48.41	127.3	46.78	123.0	44.57	119.2	42.61	111.3	40.49
	-11.8	-13	143.3	47.64	135.4	46.62	127.3	45.05	123.0	42.93	119.2	41.09	111.3	39.03
	-9.8	-11	143.3	45.79	135.4	44.75	127.3	43.26	123.0	41.23	119.2	39.48	111.3	37.48
	-9.5	-10	143.3	45.50	135.4	44.46	127.3	42.97	123.0	40.96	119.2	39.24	111.3	37.24
	-8.5	-9.1	143.3	44.59	135.4	43.52	127.3	42.07	123.0	40.09	119.2	38.43	111.3	36.46
	-7.0	-7.6	143.3	43.19	135.4	42.14	127.3	40.72	123.0	38.80	119.2	37.23	111.3	35.29
	-5.0	-5.6	143.3	41.34	135.4	40.26	127.3	38.90	123.0	37.10	119.2	35.62	111.3	33.74
	-3.0	-3.7	143.3	39.49	135.4	38.39	127.3	37.09	123.0	35.38	119.2	34.01	111.3	32.19
	0.0	-0.7	143.3	36.70	135.4	35.58	127.3	34.39	123.0	32.80	119.2	31.59	111.3	29.86
	3.0	2.2	143.3	33.94	135.4	32.76	127.3	31.67	123.0	30.21	119.2	29.19	111.3	27.53
	5.0	4.1	143.3	32.09	135.4	30.89	127.3	29.86	123.0	28.50	119.2	27.58	111.3	25.98
	7.0	6	143.3	30.22	135.4	29.02	127.3	28.04	123.0	26.78	119.2	25.98	111.3	24.41
9.0	7.9	143.3	27.30	135.4	26.21	127.3	25.32	123.0	24.18	119.2	23.46	111.3	22.05	
11.0	9.8	143.3	25.41	135.4	24.40	127.3	23.58	123.0	22.51	119.2	21.83	111.3	20.53	
13.0	11.8	143.3	23.78	135.4	22.83	127.3	22.06	123.0	21.06	119.2	20.42	111.3	19.20	
15.0	13.7	143.3	22.43	135.4	21.51	127.3	20.80	123.0	19.85	119.2	19.25	111.3	18.10	
60	-24.8	-25	109.9	52.59	109.9	52.95	109.1	53.46	105.5	50.68	101.8	48.07	95.4	45.62
	-21.8	-22	117.7	53.11	116.3	53.46	109.1	50.68	105.5	48.07	101.8	45.62	95.4	43.24
	-19.8	-20	123.0	53.46	116.3	51.50	109.1	48.82	105.5	46.32	101.8	43.99	95.4	41.67
	-18.8	-19	123.0	52.46	116.3	50.51	109.1	47.89	105.5	45.45	101.8	43.15	95.4	40.88
	-16.7	-17	123.0	50.39	116.3	48.44	109.1	45.94	105.5	43.64	101.8	41.44	95.4	39.23
	-13.7	-15	123.0	47.39	116.3	45.49	109.1	43.17	105.5	41.02	101.8	38.99	95.4	36.85
	-11.8	-13	123.0	45.51	116.3	43.63	109.1	41.39	105.5	39.36	101.8	37.45	95.4	35.36
	-9.8	-11	123.0	43.53	116.3	41.65	109.1	39.53	105.5	37.62	101.8	35.81	95.4	33.79
	-9.5	-10	123.0	43.21	116.3	41.36	109.1	39.27	105.5	37.36	101.8	35.56	95.4	33.56
	-8.5	-9.1	123.0	42.22	116.3	40.37	109.1	38.33	105.5	36.51	101.8	34.74	95.4	32.75
	-7.0	-7.6	123.0	40.73	116.3	38.90	109.1	36.94	105.5	35.20	101.8	33.52	95.4	31.58
	-5.0	-5.6	123.0	38.75	116.3	36.93	109.1	35.08	105.5	33.45	101.8	31.89	95.4	29.99
	-3.0	-3.7	123.0	36.76	116.3	34.97	109.1	33.24	105.5	31.71	101.8	30.26	95.4	28.42
	0.0	-0.7	123.0	33.78	116.3	32.00	109.1	30.44	105.5	29.11	101.8	27.79	95.4	26.06
	3.0	2.2	123.0	30.78	116.3	29.06	109.1	27.65	105.5	26.49	101.8	25.34	95.4	23.68
	5.0	4.1	123.0	28.80	116.3	27.08	109.1	25.81	105.5	24.75	101.8	23.71	95.4	22.11
	7.0	6	123.0	26.81	116.3	25.12	109.1	23.95	105.5	23.01	101.8	22.08	95.4	20.54
9.0	7.9	123.0	23.92	116.3	22.40	109.1	21.37	105.5	20.54	101.8	19.70	95.4	18.33	
11.0	9.8	123.0	22.34	116.3	20.94	109.1	19.96	105.5	19.17	101.8	18.39	95.4	17.10	
13.0	11.8	123.0	20.94	116.3	19.60	109.1	18.68	105.5	17.96	101.8	17.24	95.4	16.02	
15.0	13.7	123.0	19.79	116.3	18.53	109.1	17.67	105.5	16.98	101.8	16.29	95.4	15.15	
50	-24.8	-25	102.6	45.49	96.8	45.99	91.0	43.57	88.1	41.30	85.0	39.16	79.2	37.16
	-21.8	-22	102.6	45.99	96.8	43.57	91.0	41.30	88.1	39.16	85.0	37.16	79.2	35.23
	-19.8	-20	102.6	44.30	96.8	41.96	91.0	39.78	88.1	37.71	85.0	35.82	79.2	33.95
	-18.8	-19	102.6	43.45	96.8	41.15	91.0	39.02	88.1	37.01	85.0	35.15	79.2	33.31
	-16.7	-17	102.6	41.69	96.8	39.45	91.0	37.44	88.1	35.50	85.0	33.75	79.2	31.95
	-13.7	-15	102.6	39.15	96.8	37.01	91.0	35.17	88.1	33.36	85.0	31.76	79.2	30.03
	-11.8	-13	102.6	37.55	96.8	35.48	91.0	33.74	88.1	32.00	85.0	30.49	79.2	28.81
	-9.8	-11	102.6	35.85	96.8	33.85	91.0	32.22	88.1	30.57	85.0	29.15	79.2	27.53
	-9.5	-10	102.6	35.59	96.8	33.62	91.0	31.99	88.1	30.34	85.0	28.97	79.2	27.35
	-8.5	-9.1	102.6	34.74	96.8	32.80	91.0	31.23	88.1	29.63	85.0	28.30	79.2	26.71
	-7.0	-7.6	102.6	33.48	96.8	31.60	91.0	30.10	88.1	28.56	85.0	27.28	79.2	25.74
	-5.0	-5.6	102.6	31.79	96.8	29.97	91.0	28.58	88.1	27.13	85.0	25.97	79.2	24.44
	-3.0	-3.7	102.6	30.10	96.8	28.36	91.0	27.09	88.1	25.70	85.0	24.63	79.2	23.16
	0.0	-0.7	102.6	27.56	96.8	25.92	91.0	24.81	88.1	23.55	85.0	22.62	79.2	21.24
	3.0	2.2	102.6	25.02	96.8	23.49	91.0	22.54	88.1	21.39	85.0	20.64	79.2	19.32
	5.0	4.1	102.6	23.32	96.8	21.88	91.0	21.02	88.1	19.96	85.0	19.30	79.2	18.04
	7.0	6	102.6	21.63	96.8	20.25	91.0	19.51	88.1	18.53	85.0	17.96	79.2	16.76
9.0	7.9	102.6	19.53	96.8	18.30	91.0	17.62	88.1	16.73	85.0	16.21	79.2	15.13	
11.0	9.8	102.6	18.28	96.8	17.10	91.0	16.47	88.1	15.67	85.0	15.18	79.2	14.15	
13.0	11.8	102.6	17.16	96.8	16.07	91.0	15.47	88.1	14.70	85.0	14.24	79.2	13.29	
15.0	13.7	102.6	16.24	96.8	15.21	91.0	14.64	88.1	13.92	85.0	13.49	79.2	12.58	

Notes:

1. TC: Total Capacity(kW) PI : Power Input(kW)(Comp. + Outdoor fan motor)
2. Capacity tables show the average value of conditions which may occur.
3. ■■■ is shown as reference. When selecting the outdoor units, avoid the outdoor air temperature range shown by ■■■ .

7. Capacity Tables

ARUB600LTE4

Heating Capacity(60HP)

Combination (%)	Outdoor air temp		Indoor air temp. °C DB											
			16		18		20		21		22		24	
	°C DB	°C WB	TC	PI	TC	PI	TC	PI	TC	PI	TC	PI	TC	PI
130	-24.8	-25	118.5	64.2	118.5	64.44	117.6	64.62	117.6	64.89	117.6	65.16	115.5	65.55
	-21.8	-22	144.0	64.65	144.0	64.86	143.1	65.04	143.1	65.31	143.1	65.55	140.4	65.97
	-19.8	-20	152.1	64.92	152.1	65.13	150.9	65.31	150.9	65.58	150.9	65.82	148.2	66.24
	-18.8	-19	155.1	65.04	155.1	65.25	154.2	65.43	154.2	65.70	154.2	65.97	151.2	66.39
	-16.7	-17	162.0	65.34	162.0	65.55	161.1	65.73	161.1	66.00	161.1	66.27	158.1	66.66
	-13.7	-15	171.9	65.76	171.9	65.97	171.0	66.15	171.0	66.42	171.0	66.66	167.7	64.26
	-11.8	-13	177.6	66.00	177.6	66.21	176.4	66.39	176.4	66.66	176.4	66.94	173.7	62.70
	-9.8	-11	183.3	66.30	183.3	66.48	182.4	66.66	182.4	64.95	182.4	63.33	180.0	61.11
	-9.5	-10	184.5	66.33	184.5	66.54	183.3	66.42	183.3	64.68	183.3	63.09	180.9	60.87
	-8.5	-9.1	188.1	66.48	188.1	66.66	186.9	65.55	186.9	63.84	186.0	62.22	184.2	60.06
	-7.0	-7.6	193.5	66.66	193.5	65.40	192.3	64.23	192.3	62.55	192.3	60.96	189.0	58.83
	-5.0	-5.6	200.4	65.07	200.4	63.72	199.2	62.49	199.2	60.81	199.2	59.25	195.3	57.21
	-3.0	-3.7	207.6	63.45	207.6	62.01	206.4	60.75	206.4	59.10	206.4	57.54	201.6	55.62
	0.0	-0.7	218.1	61.02	218.1	59.49	216.9	58.11	216.9	56.52	216.9	54.99	211.2	53.19
	3.0	2.2	228.9	58.59	228.9	56.94	227.4	55.50	227.4	53.94	227.4	52.41	213.3	50.76
	5.0	4.1	236.1	56.97	236.1	55.26	234.6	53.76	234.6	52.23	229.2	50.70	213.3	49.14
	7.0	6	243.0	55.35	243.0	53.58	241.5	52.02	237.6	50.49	229.2	48.99	213.3	47.52
9.0	7.9	244.2	54.03	244.2	52.29	243.6	50.79	237.6	49.29	229.2	47.82	213.3	46.41	
11.0	9.8	244.2	53.19	244.2	51.48	243.6	49.98	237.6	48.54	229.2	47.10	213.3	45.66	
13.0	11.8	244.2	52.29	244.2	50.58	243.6	49.11	237.6	47.70	229.2	46.29	213.3	44.88	
15.0	13.7	244.2	51.30	244.2	49.65	243.6	48.18	237.6	46.80	229.2	45.39	213.3	44.04	
120	-24.8	-25	117.6	64.44	117.6	64.62	116.7	64.89	116.7	65.16	116.7	65.55	114.6	65.85
	-21.8	-22	143.1	64.86	143.1	65.04	142.2	65.31	142.2	65.55	142.2	65.97	139.5	66.27
	-19.8	-20	150.9	65.13	150.9	65.31	150.0	65.58	150.0	65.82	150.0	66.24	147.0	66.54
	-18.8	-19	154.2	65.25	154.2	65.43	153.3	65.70	153.3	65.97	153.3	66.39	150.3	66.66
	-16.7	-17	161.1	65.55	161.1	65.73	159.9	66.00	159.9	66.27	159.9	66.66	156.9	65.10
	-13.7	-15	170.7	65.97	170.7	66.15	169.8	66.42	169.8	66.66	169.8	64.35	166.5	62.88
	-11.8	-13	176.4	66.21	176.4	66.39	175.2	66.66	175.2	65.04	175.2	62.88	172.5	61.47
	-9.8	-11	182.1	66.48	182.1	66.66	180.9	64.89	180.9	63.30	180.9	61.35	178.8	60.00
	-9.5	-10	183.3	66.54	183.3	66.39	182.1	64.62	182.1	63.06	182.1	61.11	179.7	59.76
	-8.5	-9.1	186.6	66.66	186.6	65.43	185.7	63.72	185.7	62.19	185.7	60.33	183.0	59.01
	-7.0	-7.6	192.0	65.28	192.0	64.02	190.8	62.37	190.8	60.90	190.8	59.19	187.5	57.90
	-5.0	-5.6	199.2	63.42	199.2	62.13	197.7	60.57	197.7	59.19	197.7	57.63	194.1	56.43
	-3.0	-3.7	206.1	61.53	206.1	60.24	204.9	58.77	204.9	57.45	204.9	56.10	200.4	54.93
	0.0	-0.7	216.6	58.74	216.6	57.42	215.4	56.07	215.4	54.87	215.4	53.79	200.4	52.71
	3.0	2.2	227.4	55.95	227.4	54.57	225.9	53.40	222.6	52.29	215.7	51.48	200.4	50.49
	5.0	4.1	234.3	54.09	234.3	52.68	230.4	51.60	222.6	50.58	215.7	49.92	200.4	48.99
	7.0	6	241.5	52.20	239.7	50.79	230.4	49.80	222.6	48.84	215.7	48.39	200.4	47.52
9.0	7.9	242.4	50.82	239.7	49.44	230.4	48.48	222.6	47.55	215.7	47.10	200.4	46.26	
11.0	9.8	242.4	49.89	239.7	48.54	230.4	47.58	222.6	46.68	215.7	46.23	200.4	45.42	
13.0	11.8	242.4	48.90	239.7	47.58	230.4	46.62	222.6	45.75	215.7	45.30	200.4	44.49	
15.0	13.7	242.4	47.82	239.7	46.50	230.4	45.60	222.6	44.73	215.7	44.31	200.4	43.50	
110	-24.8	-25	117.0	64.62	117.0	64.89	116.1	65.16	116.1	65.55	116.1	65.85	114.0	66.00
	-21.8	-22	142.2	65.04	142.2	65.31	141.3	65.55	141.3	65.97	141.3	66.27	138.6	66.39
	-19.8	-20	150.0	65.31	150.0	65.58	149.1	65.82	149.1	66.24	149.1	66.54	146.1	66.66
	-18.8	-19	153.3	65.43	153.3	65.70	152.4	65.97	152.4	66.39	152.4	66.66	149.4	65.85
	-16.7	-17	160.2	65.73	160.2	66.00	159.0	66.27	159.0	66.66	159.0	64.98	156.0	64.11
	-13.7	-15	169.8	66.15	169.8	66.42	168.6	66.66	168.6	64.11	168.6	62.55	168.6	61.59
	-11.8	-13	175.2	66.39	175.2	66.66	174.3	64.86	174.3	62.49	174.3	61.02	174.3	60.03
	-9.8	-11	181.2	66.66	181.2	64.62	180.0	62.97	180.0	60.78	180.0	59.40	178.8	58.38
	-9.5	-10	182.1	66.33	182.1	64.32	181.2	62.67	181.2	60.51	181.2	59.16	180.3	58.11
	-8.5	-9.1	185.7	65.25	185.7	63.30	184.5	61.74	184.5	59.67	184.5	58.35	180.3	57.30
	-7.0	-7.6	191.1	63.60	191.1	61.77	189.9	60.30	189.9	58.38	189.9	57.15	180.3	56.04
	-5.0	-5.6	198.0	61.41	198.0	59.76	196.8	58.41	196.8	56.67	193.2	55.53	180.3	54.39
	-3.0	-3.7	204.9	59.22	204.9	57.72	203.7	56.49	199.8	54.96	193.2	53.91	180.3	52.71
	0.0	-0.7	215.4	55.92	215.4	54.66	206.7	53.64	199.8	52.41	193.2	51.48	180.3	50.22
	3.0	2.2	225.9	52.65	220.2	51.60	206.7	50.79	199.8	49.83	193.2	49.05	180.3	47.73
	5.0	4.1	233.1	50.46	220.2	49.56	206.7	48.90	199.8	48.12	193.2	47.43	180.3	46.08
	7.0	6	233.1	48.24	220.2	47.52	206.7	46.98	199.8	46.41	193.2	45.84	180.3	44.40
9.0	7.9	233.1	46.77	220.2	46.05	206.7	45.54	199.8	45.00	193.2	44.40	180.3	43.05	
11.0	9.8	233.1	45.69	220.2	45.00	206.7	44.49	199.8	43.95	193.2	43.38	180.3	42.03	
13.0	11.8	233.1	44.52	220.2	43.86	206.7	43.35	199.8	42.84	193.2	42.27	180.3	40.98	
15.0	13.7	233.1	43.29	220.2	42.63	206.7	42.15	199.8	41.64	193.2	41.10	180.3	39.84	

Outdoor Units

Notes:

1. TC: Total Capacity(kW) PI: Power Input(kW)(Comp. + Outdoor fan motor)
2. Capacity tables show the average value of conditions which may occur.
3. ■■■ is shown as reference. When selecting the outdoor units, avoid the outdoor air temperature range shown by ■■■.

7. Capacity Tables

Heating Capacity(60HP)

Outdoor Units

Combination (%)	Outdoor air temp		Indoor air temp. °C DB											
			16		18		20		21		22		24	
	°C DB	°C WB	TC	PI	TC	PI	TC	PI	TC	PI	TC	PI	TC	PI
100	-24.8	-25	116.4	70.68	116.4	70.14	115.8	64.62	115.8	68.82	115.8	68.28	113.4	68.01
	-21.8	-22	141.6	69.87	141.6	69.33	140.7	66.66	140.7	68.04	140.7	68.31	138.0	67.20
	-19.8	-20	149.4	69.33	149.4	68.82	148.5	67.89	148.5	67.50	148.5	67.23	145.5	66.66
	-18.8	-19	152.7	69.06	151.8	68.55	151.8	68.04	151.8	67.23	151.8	66.66	148.8	65.64
	-16.7	-17	158.4	68.52	158.4	67.98	158.4	68.31	157.5	66.66	157.5	64.56	154.5	63.48
	-13.7	-15	168.9	67.71	168.9	67.17	168.0	66.66	168.0	63.63	168.0	61.53	164.7	60.39
	-11.8	-13	174.3	67.20	173.4	66.66	173.4	64.62	173.4	61.68	173.4	59.61	164.7	58.44
	-9.8	-11	180.3	66.66	180.3	64.38	179.4	62.49	179.4	59.64	177.0	57.60	164.7	56.40
	-9.5	-10	181.2	66.30	181.2	64.05	180.3	62.16	180.3	59.34	177.0	57.30	164.7	56.10
	-8.5	-9.1	184.8	65.13	184.8	62.91	183.9	61.08	183.0	58.32	177.0	56.31	164.7	55.05
	-7.0	-7.6	193.2	63.33	192.3	61.20	189.0	59.49	183.0	56.79	177.0	54.78	164.7	53.52
	-5.0	-5.6	201.6	60.96	199.5	58.92	189.0	57.33	183.0	54.75	177.0	52.77	164.7	51.48
	-3.0	-3.7	207.3	58.59	201.0	56.64	189.0	55.20	183.0	52.71	177.0	50.76	164.7	49.41
	0.0	-0.7	213.3	55.02	201.0	53.22	189.0	51.96	183.0	49.65	177.0	47.73	164.7	46.32
	3.0	2.2	213.3	51.48	201.0	49.80	189.0	48.75	183.0	46.62	177.0	44.73	164.7	43.26
	5.0	4.1	213.3	49.08	201.0	47.52	189.0	46.62	183.0	44.58	177.0	42.72	164.7	41.19
	7.0	6	213.3	46.71	201.0	45.24	189.0	44.46	183.0	42.54	177.0	40.71	164.7	39.15
9.0	7.9	213.3	45.09	201.0	43.65	189.0	42.90	183.0	41.04	177.0	39.27	164.7	37.77	
11.0	9.8	213.3	43.83	201.0	42.45	189.0	41.70	183.0	39.90	177.0	38.19	164.7	36.72	
13.0	11.8	213.3	42.48	201.0	41.16	189.0	40.44	183.0	38.70	177.0	37.02	164.7	35.61	
15.0	13.7	213.3	41.07	201.0	39.78	189.0	39.09	183.0	37.38	177.0	35.79	164.7	34.41	
90	-24.8	-25	116.1	63.24	116.1	63.66	115.2	63.96	115.2	64.08	115.2	64.35	113.1	64.77
	-21.8	-22	141.0	63.66	141.0	64.08	140.1	64.35	140.1	64.50	140.1	64.77	137.4	62.01
	-19.8	-20	148.8	63.93	148.8	64.35	147.9	64.65	147.9	64.77	147.9	62.91	145.2	60.18
	-18.8	-19	152.7	64.08	151.8	64.47	151.2	64.77	151.2	63.81	151.2	61.95	148.2	59.28
	-16.7	-17	158.4	64.35	158.4	64.77	157.8	62.79	157.8	61.77	157.8	59.97	150.6	57.33
	-13.7	-15	168.9	64.77	168.9	61.80	167.4	59.94	167.4	58.89	162.3	57.18	150.6	54.57
	-11.8	-13	174.3	62.76	173.4	59.94	172.8	58.11	167.7	57.06	162.3	55.38	150.6	52.83
	-9.8	-11	180.3	60.60	180.3	57.96	172.8	56.22	167.7	55.11	162.3	53.52	150.6	51.00
	-9.5	-10	181.2	60.30	181.2	57.66	172.8	55.95	167.7	54.84	162.3	53.22	150.6	50.73
	-8.5	-9.1	184.8	59.22	183.3	56.67	172.8	54.99	167.7	53.85	162.3	52.29	150.6	49.80
	-7.0	-7.6	193.2	57.63	183.6	55.20	172.8	53.55	167.7	52.41	162.3	50.88	150.6	48.42
	-5.0	-5.6	195.3	55.50	183.6	53.22	172.8	51.66	167.7	50.49	162.3	48.99	150.6	46.59
	-3.0	-3.7	195.3	53.37	183.6	51.24	172.8	49.77	167.7	48.54	162.3	47.13	150.6	44.76
	0.0	-0.7	195.3	50.16	183.6	48.30	172.8	46.92	167.7	45.66	162.3	44.31	150.6	42.00
	3.0	2.2	195.3	46.95	183.6	45.33	172.8	44.07	167.7	42.75	162.3	41.49	150.6	39.27
	5.0	4.1	195.3	44.82	183.6	43.35	172.8	42.15	167.7	40.83	162.3	39.60	150.6	37.41
	7.0	6	195.3	42.69	183.6	41.37	172.8	40.26	167.7	38.88	162.3	37.74	150.6	35.58
9.0	7.9	195.3	40.68	183.6	39.42	172.8	38.37	167.7	37.05	162.3	35.94	150.6	33.90	
11.0	9.8	195.3	38.67	183.6	37.47	172.8	36.45	167.7	35.22	162.3	34.17	150.6	32.22	
13.0	11.8	195.3	36.66	183.6	35.52	172.8	34.56	167.7	33.39	162.3	32.40	150.6	30.54	
15.0	13.7	195.3	34.62	183.6	33.57	172.8	32.67	167.7	31.56	162.3	30.60	150.6	28.86	
80	-24.8	-25	115.5	55.92	115.5	56.31	114.9	56.61	114.9	56.76	114.9	57.45	112.5	55.02
	-21.8	-22	139.5	56.31	139.5	56.73	139.5	57.03	139.5	57.45	139.5	55.02	134.7	52.68
	-19.8	-20	147.3	56.61	147.3	57.00	147.3	57.45	147.3	55.74	144.6	53.40	134.7	51.12
	-18.8	-19	150.6	56.73	150.6	57.45	150.6	56.58	150.0	54.87	144.6	52.59	134.7	50.34
	-16.7	-17	154.8	57.45	154.8	55.62	154.8	54.75	150.0	53.07	144.6	50.88	134.7	48.72
	-13.7	-15	154.8	54.78	154.8	53.07	154.8	52.17	150.0	50.52	144.6	48.48	134.7	46.38
	-11.8	-13	158.7	53.07	154.8	51.42	154.8	50.52	150.0	48.90	144.6	46.95	134.7	44.91
	-9.8	-11	165.6	51.30	160.8	49.71	154.8	48.78	150.0	47.19	144.6	45.33	134.7	43.38
	-9.5	-10	166.5	51.03	161.7	49.47	154.8	48.54	150.0	46.92	144.6	45.09	134.7	43.14
	-8.5	-9.1	169.8	50.13	164.7	48.60	154.8	47.67	150.0	46.08	144.6	44.28	134.7	42.36
	-7.0	-7.6	174.9	48.81	164.7	47.31	154.8	46.38	150.0	44.79	144.6	43.05	134.7	41.19
	-5.0	-5.6	174.9	47.04	164.7	45.60	154.8	44.64	150.0	43.08	144.6	41.46	134.7	39.63
	-3.0	-3.7	174.9	45.24	164.7	43.89	154.8	42.90	150.0	41.37	144.6	39.84	134.7	38.10
	0.0	-0.7	174.9	42.60	164.7	41.31	154.8	40.32	150.0	38.82	144.6	37.41	134.7	35.76
	3.0	2.2	174.9	39.93	164.7	38.73	154.8	37.71	150.0	36.24	144.6	34.98	134.7	33.42
	5.0	4.1	174.9	38.13	164.7	37.02	154.8	36.00	150.0	34.56	144.6	33.36	134.7	31.89
	7.0	6	174.9	36.36	164.7	35.31	154.8	34.26	150.0	32.85	144.6	31.77	134.7	30.33
9.0	7.9	174.9	34.14	164.7	33.15	154.8	32.16	150.0	30.84	144.6	29.82	134.7	28.47	
11.0	9.8	174.9	31.68	164.7	30.78	154.8	29.85	150.0	28.62	144.6	27.69	134.7	26.43	
13.0	11.8	174.9	29.58	164.7	28.71	154.8	27.87	150.0	26.70	144.6	25.83	134.7	24.66	
15.0	13.7	174.9	27.84	164.7	27.03	154.8	26.25	150.0	25.14	144.6	24.33	134.7	23.22	

Notes:

1. TC: Total Capacity(kW) PI : Power Input(kW)(Comp. + Outdoor fan motor)
2. Capacity tables show the average value of conditions which may occur.
3. ■■■ is shown as reference. When selecting the outdoor units, avoid the outdoor air temperature range shown by ■■■ .

7. Capacity Tables

Heating Capacity(60HP)

Combination (%)	Outdoor air temp		Indoor air temp. °C DB											
			16		18		20		21		22		24	
	°C DB	°C WB	TC	PI	TC	PI	TC	PI	TC	PI	TC	PI	TC	PI
70	-24.8	-25	115.5	55.26	115.5	55.41	114.9	55.68	114.9	56.10	114.9	53.46	112.5	50.97
	-21.8	-22	132.6	55.68	132.6	55.83	131.7	56.10	127.2	53.46	123.3	50.97	115.2	48.57
	-19.8	-20	144.0	55.95	140.1	56.10	131.7	54.24	127.2	51.69	123.3	49.32	115.2	46.98
	-18.8	-19	148.2	56.10	140.1	55.14	131.7	53.31	127.2	50.79	123.3	48.48	115.2	46.17
	-16.7	-17	148.2	54.09	140.1	53.13	131.7	51.36	127.2	48.96	123.3	46.77	115.2	44.49
	-13.7	-15	148.2	51.27	140.1	50.25	131.7	48.57	127.2	46.29	123.3	44.28	115.2	42.09
	-11.8	-13	148.2	49.47	140.1	48.42	131.7	46.80	127.2	44.61	123.3	42.72	115.2	40.59
	-9.8	-11	148.2	47.58	140.1	46.50	131.7	44.97	127.2	42.87	123.3	41.07	115.2	39.00
	-9.5	-10	148.2	47.28	140.1	46.20	131.7	44.67	127.2	42.60	123.3	40.83	115.2	38.76
	-8.5	-9.1	148.2	46.35	140.1	45.24	131.7	43.74	127.2	41.70	123.3	39.99	115.2	37.95
	-7.0	-7.6	148.2	44.91	140.1	43.83	131.7	42.36	127.2	40.38	123.3	38.76	115.2	36.75
	-5.0	-5.6	148.2	43.02	140.1	41.91	131.7	40.50	127.2	38.64	123.3	37.11	115.2	35.16
	-3.0	-3.7	148.2	41.13	140.1	39.99	131.7	38.64	127.2	36.87	123.3	35.46	115.2	33.57
	0.0	-0.7	148.2	38.28	140.1	37.11	131.7	35.88	127.2	34.23	123.3	32.97	115.2	31.17
	3.0	2.2	148.2	35.46	140.1	34.23	131.7	33.09	127.2	31.56	123.3	30.51	115.2	28.77
	5.0	4.1	148.2	33.57	140.1	32.31	131.7	31.23	127.2	29.82	123.3	28.86	115.2	27.18
	7.0	6	148.2	31.65	140.1	30.39	131.7	29.37	127.2	28.05	123.3	27.21	115.2	25.56
	9.0	7.9	148.2	28.59	140.1	27.45	131.7	26.52	127.2	25.32	123.3	24.57	115.2	23.10
11.0	9.8	148.2	26.61	140.1	25.56	131.7	24.69	127.2	23.58	123.3	22.86	115.2	21.51	
13.0	11.8	148.2	24.90	140.1	23.91	131.7	23.10	127.2	22.05	123.3	21.39	115.2	20.10	
15.0	13.7	148.2	23.49	140.1	22.53	131.7	21.78	127.2	20.79	123.3	20.16	115.2	18.96	
60	-24.8	-25	113.7	54.78	113.7	55.08	112.8	55.47	109.2	52.62	105.3	49.92	98.7	47.40
	-21.8	-22	121.8	55.20	120.3	55.47	112.8	52.62	109.2	49.92	105.3	47.40	98.7	44.94
	-19.8	-20	127.2	55.47	120.3	53.46	112.8	50.70	109.2	48.12	105.3	45.72	98.7	43.32
	-18.8	-19	127.2	54.45	120.3	52.44	112.8	49.74	109.2	47.22	105.3	44.85	98.7	42.51
	-16.7	-17	127.2	52.32	120.3	50.31	112.8	47.73	109.2	45.36	105.3	43.08	98.7	40.80
	-13.7	-15	127.2	49.23	120.3	47.28	112.8	44.88	109.2	42.66	105.3	40.56	98.7	38.34
	-11.8	-13	127.2	47.31	120.3	45.36	112.8	43.05	109.2	40.95	105.3	38.97	98.7	36.81
	-9.8	-11	127.2	45.27	120.3	43.32	112.8	41.13	109.2	39.15	105.3	37.29	98.7	35.19
	-9.5	-10	127.2	44.94	120.3	43.02	112.8	40.86	109.2	38.88	105.3	37.02	98.7	34.95
	-8.5	-9.1	127.2	43.92	120.3	42.00	112.8	39.90	109.2	38.01	105.3	36.18	98.7	34.11
	-7.0	-7.6	127.2	42.39	120.3	40.50	112.8	38.46	109.2	36.66	105.3	34.92	98.7	32.91
	-5.0	-5.6	127.2	40.35	120.3	38.46	112.8	36.54	109.2	34.86	105.3	33.24	98.7	31.26
	-3.0	-3.7	127.2	38.31	120.3	36.45	112.8	34.65	109.2	33.06	105.3	31.56	98.7	29.64
	0.0	-0.7	127.2	35.25	120.3	33.39	112.8	31.77	109.2	30.39	105.3	29.01	98.7	27.21
	3.0	2.2	127.2	32.16	120.3	30.36	112.8	28.89	109.2	27.69	105.3	26.49	98.7	24.75
	5.0	4.1	127.2	30.12	120.3	28.32	112.8	27.00	109.2	25.89	105.3	24.81	98.7	23.13
	7.0	6	127.2	28.08	120.3	26.31	112.8	25.08	109.2	24.09	105.3	23.13	98.7	21.51
	9.0	7.9	127.2	25.05	120.3	23.46	112.8	22.38	109.2	21.51	105.3	20.64	98.7	19.20
11.0	9.8	127.2	23.40	120.3	21.93	112.8	20.91	109.2	20.07	105.3	19.26	98.7	17.91	
13.0	11.8	127.2	21.93	120.3	20.52	112.8	19.56	109.2	18.81	105.3	18.06	98.7	16.77	
15.0	13.7	127.2	20.73	120.3	19.41	112.8	18.51	109.2	17.79	105.3	17.07	98.7	15.87	
50	-24.8	-25	106.2	47.28	100.2	47.67	94.2	45.18	91.2	42.84	87.9	40.65	81.9	38.58
	-21.8	-22	106.2	47.67	100.2	45.18	94.2	42.84	91.2	40.65	87.9	38.58	81.9	36.60
	-19.8	-20	106.2	45.93	100.2	43.53	94.2	41.28	91.2	39.15	87.9	37.20	81.9	35.28
	-18.8	-19	106.2	45.06	100.2	42.69	94.2	40.50	91.2	38.43	87.9	36.51	81.9	34.62
	-16.7	-17	106.2	43.26	100.2	40.95	94.2	38.88	91.2	36.87	87.9	35.07	81.9	33.21
	-13.7	-15	106.2	40.65	100.2	38.43	94.2	36.54	91.2	34.68	87.9	33.03	81.9	31.23
	-11.8	-13	106.2	39.00	100.2	36.87	94.2	35.07	91.2	33.27	87.9	31.71	81.9	29.97
	-9.8	-11	106.2	37.26	100.2	35.19	94.2	33.51	91.2	31.80	87.9	30.33	81.9	28.65
	-9.5	-10	106.2	36.99	100.2	34.95	94.2	33.27	91.2	31.56	87.9	30.15	81.9	28.47
	-8.5	-9.1	106.2	36.12	100.2	34.11	94.2	32.49	91.2	30.84	87.9	29.46	81.9	27.81
	-7.0	-7.6	106.2	34.83	100.2	32.88	94.2	31.32	91.2	29.73	87.9	28.41	81.9	26.82
	-5.0	-5.6	106.2	33.09	100.2	31.20	94.2	29.76	91.2	28.26	87.9	27.06	81.9	25.47
	-3.0	-3.7	106.2	31.35	100.2	29.55	94.2	28.23	91.2	26.79	87.9	25.68	81.9	24.15
	0.0	-0.7	106.2	28.74	100.2	27.03	94.2	25.89	91.2	24.57	87.9	23.61	81.9	22.17
	3.0	2.2	106.2	26.13	100.2	24.54	94.2	23.55	91.2	22.35	87.9	21.57	81.9	20.19
	5.0	4.1	106.2	24.39	100.2	22.89	94.2	21.99	91.2	20.88	87.9	20.19	81.9	18.87
	7.0	6	106.2	22.65	100.2	21.21	94.2	20.43	91.2	19.41	87.9	18.81	81.9	17.55
	9.0	7.9	106.2	20.46	100.2	19.17	94.2	18.45	91.2	17.52	87.9	16.98	81.9	15.84
11.0	9.8	106.2	19.14	100.2	17.91	94.2	17.25	91.2	16.41	87.9	15.90	81.9	14.82	
13.0	11.8	106.2	17.97	100.2	16.83	94.2	16.20	91.2	15.39	87.9	14.91	81.9	13.92	
15.0	13.7	106.2	17.01	100.2	15.93	94.2	15.33	91.2	14.58	87.9	14.13	81.9	13.17	

Notes:

1. TC: Total Capacity(kW) PI : Power Input(kW)(Comp. + Outdoor fan motor)
2. Capacity tables show the average value of conditions which may occur.
3. ■■■ is shown as reference. When selecting the outdoor units, avoid the outdoor air temperature range shown by ■■■ .

7. Capacity Tables

ARUB620LTE4

Heating Capacity(62HP)

Combination (%)	Outdoor air temp		Indoor air temp. °C DB											
			16		18		20		21		22		24	
	°C DB	°C WB	TC	PI	TC	PI	TC	PI	TC	PI	TC	PI	TC	PI
130	-24.8	-25	120.4	57.2	120.4	57.79	119.7	58.34	119.7	59.18	119.7	59.97	117.8	61.25
	-21.8	-22	145.7	58.43	145.7	59.07	144.6	59.61	144.6	60.45	144.6	61.25	142.6	62.51
	-19.8	-20	153.3	59.27	153.3	59.90	152.4	60.45	152.4	61.28	152.4	62.08	150.1	63.35
	-18.8	-19	156.8	59.68	156.8	60.31	155.9	60.86	155.9	61.70	155.9	62.51	153.6	63.76
	-16.7	-17	164.3	60.56	164.3	61.20	163.1	61.74	163.1	62.58	163.1	63.39	160.8	64.64
	-13.7	-15	174.7	61.83	174.7	62.46	173.6	63.01	173.6	63.85	173.6	64.64	171.1	62.23
	-11.8	-13	180.3	62.63	180.3	63.26	179.4	63.81	179.4	64.64	179.4	63.02	177.2	60.67
	-9.8	-11	186.5	63.46	186.5	64.10	185.3	64.64	185.3	62.92	185.3	61.28	183.7	59.06
	-9.5	-10	188.0	63.59	188.0	64.24	186.8	64.39	186.8	62.65	186.3	61.04	184.8	58.82
	-8.5	-9.1	192.5	64.01	192.5	64.64	191.3	63.49	191.3	61.78	189.2	60.18	188.0	58.01
	-7.0	-7.6	199.4	64.64	199.4	63.35	198.1	62.16	198.1	60.47	198.1	58.90	194.2	56.79
	-5.0	-5.6	208.7	62.97	208.7	61.63	207.4	60.39	207.4	58.74	207.4	57.19	201.0	55.18
	-3.0	-3.7	217.8	61.31	217.8	59.90	216.4	58.63	216.4	57.00	216.4	55.45	207.9	53.57
	0.0	-0.7	231.6	58.79	231.6	57.29	230.2	55.97	229.1	54.38	226.9	52.89	217.5	51.12
	3.0	2.2	240.2	56.29	240.2	54.71	238.7	53.31	237.1	51.78	234.9	50.31	220.0	48.70
	5.0	4.1	245.5	54.64	245.5	52.98	244.3	51.54	242.7	50.05	236.4	48.58	220.0	47.09
	7.0	6	251.1	52.96	251.1	51.26	249.6	49.77	244.8	48.31	236.4	46.87	220.0	45.48
	9.0	7.9	251.9	51.57	251.9	49.92	251.1	48.47	244.8	47.05	236.4	45.66	220.0	44.28
11.0	9.8	251.9	50.67	251.9	49.02	251.1	47.60	244.8	46.21	236.4	44.83	220.0	43.49	
13.0	11.8	251.9	49.65	251.9	48.07	251.1	46.66	244.8	45.31	236.4	43.95	220.0	42.65	
15.0	13.7	251.9	48.60	251.9	47.02	251.1	45.66	244.8	44.33	236.4	43.01	220.0	41.72	
120	-24.8	-25	119.5	57.79	119.5	58.34	118.9	59.18	118.9	59.97	118.9	61.25	117.0	62.13
	-21.8	-22	144.6	59.07	144.6	59.61	143.7	60.45	143.7	61.25	143.7	62.51	141.7	63.39
	-19.8	-20	152.1	59.90	152.1	60.45	151.1	61.28	151.1	62.08	151.1	63.35	148.9	64.24
	-18.8	-19	155.7	60.31	155.7	60.86	154.6	61.70	154.6	62.51	154.6	63.76	152.4	64.64
	-16.7	-17	163.0	61.20	163.0	61.74	162.1	62.58	162.1	63.39	162.1	64.64	159.6	63.08
	-13.7	-15	173.4	62.46	173.4	63.01	172.4	63.85	172.4	64.64	172.4	62.32	169.8	60.85
	-11.8	-13	179.1	63.26	179.1	63.81	178.1	64.64	178.1	62.99	178.1	60.85	176.0	59.44
	-9.8	-11	185.2	64.10	185.2	64.64	184.0	62.84	184.0	61.28	184.0	59.29	182.4	57.96
	-9.5	-10	186.6	64.24	186.6	64.36	185.4	62.56	185.4	61.00	185.4	59.06	183.8	57.74
	-8.5	-9.1	191.2	64.64	191.2	63.41	190.0	61.65	190.0	60.14	189.3	58.29	187.7	56.98
	-7.0	-7.6	198.0	63.21	198.0	61.98	196.7	60.31	196.7	58.85	194.4	57.12	192.8	55.88
	-5.0	-5.6	207.0	61.32	207.0	60.06	205.8	58.48	205.8	57.11	205.8	55.59	199.6	54.38
	-3.0	-3.7	216.4	59.43	216.4	58.14	215.0	56.68	215.0	55.39	214.2	54.03	205.3	52.91
	0.0	-0.7	230.0	56.58	229.5	55.28	226.0	53.97	224.0	52.79	222.2	51.71	206.7	50.65
	3.0	2.2	238.4	53.74	237.7	52.42	233.9	51.26	229.7	50.19	222.4	49.38	206.7	48.42
	5.0	4.1	243.7	51.83	243.0	50.50	237.4	49.45	229.7	48.45	222.4	47.83	206.7	46.95
	7.0	6	249.2	49.95	247.1	48.59	237.4	47.65	229.7	46.72	222.4	46.28	206.7	45.45
	9.0	7.9	249.8	48.53	247.1	47.20	237.4	46.27	229.7	45.39	222.4	44.97	206.7	44.16
11.0	9.8	249.8	47.54	247.1	46.25	237.4	45.34	229.7	44.46	222.4	44.05	206.7	43.26	
13.0	11.8	249.8	46.47	247.1	45.20	237.4	44.32	229.7	43.46	222.4	43.07	206.7	42.29	
15.0	13.7	249.8	45.32	247.1	44.09	237.4	43.21	229.7	42.38	222.4	42.00	206.7	41.24	
110	-24.8	-25	118.9	58.34	118.9	59.18	118.1	59.97	118.1	61.25	118.1	62.13	116.4	62.54
	-21.8	-22	143.8	59.61	143.8	60.45	142.9	61.25	142.9	62.51	142.9	63.39	140.9	63.81
	-19.8	-20	151.5	60.45	151.5	61.28	150.3	62.08	150.3	63.35	150.3	64.24	148.2	64.64
	-18.8	-19	154.9	60.86	154.9	61.70	153.8	62.51	153.8	63.76	153.8	64.64	151.7	63.83
	-16.7	-17	162.1	61.74	162.1	62.58	161.2	63.39	161.2	64.64	161.2	62.95	158.7	62.08
	-13.7	-15	172.4	63.01	172.4	63.85	171.5	64.64	171.5	62.09	171.5	60.54	171.5	59.60
	-11.8	-13	178.2	63.81	178.2	64.64	177.1	62.84	177.1	60.48	177.1	59.01	177.1	58.03
	-9.8	-11	184.2	64.64	184.2	62.61	183.0	60.94	183.0	58.75	183.0	57.38	182.3	56.38
	-9.5	-10	185.5	64.31	185.5	62.30	184.5	60.66	184.5	58.50	184.5	57.14	183.9	56.12
	-8.5	-9.1	190.0	63.22	190.0	61.28	189.0	59.69	189.0	57.64	188.8	56.33	185.5	55.30
	-7.0	-7.6	197.0	61.56	197.0	59.76	195.7	58.26	195.7	56.37	194.2	55.14	186.0	54.07
	-5.0	-5.6	206.0	59.37	206.0	57.70	204.7	56.37	203.7	54.66	198.3	53.51	186.0	52.41
	-3.0	-3.7	215.1	57.17	215.1	55.66	210.9	54.47	206.1	52.94	199.2	51.90	186.0	50.75
	0.0	-0.7	226.9	53.85	223.6	52.62	213.1	51.61	206.1	50.38	199.2	49.49	186.0	48.27
	3.0	2.2	234.9	50.57	227.2	49.55	213.1	48.76	206.1	47.82	199.2	47.07	186.0	45.78
	5.0	4.1	240.1	48.36	227.2	47.51	213.1	46.86	206.1	46.11	199.2	45.46	186.0	44.14
	7.0	6	240.3	46.16	227.2	45.47	213.1	44.94	206.1	44.42	199.2	43.83	186.0	42.49
	9.0	7.9	240.3	44.65	227.2	43.97	213.1	43.49	206.1	42.95	199.2	42.40	186.0	41.10
11.0	9.8	240.3	43.51	227.2	42.86	213.1	42.39	206.1	41.88	199.2	41.34	186.0	40.05	
13.0	11.8	240.3	42.31	227.2	41.69	213.1	41.20	206.1	40.69	199.2	40.18	186.0	38.94	
15.0	13.7	240.3	41.04	227.2	40.41	213.1	39.95	206.1	39.48	199.2	38.97	186.0	37.77	

Notes:

1. TC: Total Capacity(kW) PI : Power Input(kW)(Comp. + Outdoor fan motor)
2. Capacity tables show the average value of conditions which may occur.
3. ■■■ is shown as reference. When selecting the outdoor units, avoid the outdoor air temperature range shown by ■■■ .

7. Capacity Tables

Heating Capacity(62HP)

Combination (%)	Outdoor air temp		Indoor air temp. °C DB											
			16		18		20		21		22		24	
	°C DB	°C WB	TC	PI	TC	PI	TC	PI	TC	PI	TC	PI	TC	PI
100	-24.8	-25	118.4	63.08	118.4	63.28	117.6	60.56	117.6	63.80	117.6	64.02	115.9	64.12
	-21.8	-22	143.3	63.39	143.3	63.60	142.4	62.47	142.4	64.12	142.4	65.00	140.4	64.44
	-19.8	-20	150.7	63.60	150.7	63.81	149.8	63.70	149.8	64.32	149.8	64.76	147.6	64.64
	-18.8	-19	154.2	63.70	153.2	63.91	153.2	64.12	153.2	64.42	153.2	64.64	150.9	63.64
	-16.7	-17	160.4	63.93	160.4	64.13	160.4	65.00	159.6	64.64	159.6	62.56	157.3	61.50
	-13.7	-15	171.6	64.23	171.6	64.45	170.7	64.64	170.7	61.62	170.7	59.56	168.3	58.45
	-11.8	-13	177.3	64.44	176.3	64.64	176.3	62.62	176.3	59.69	176.3	57.68	169.7	56.52
	-9.8	-11	183.3	64.64	183.3	62.37	182.2	60.49	182.2	57.67	180.5	55.67	170.0	54.49
	-9.5	-10	184.5	64.30	184.5	62.03	183.7	60.16	183.7	57.38	181.1	55.38	170.0	54.18
	-8.5	-9.1	189.1	63.10	189.1	60.90	188.1	59.08	188.7	56.36	182.5	54.38	170.0	53.18
	-7.0	-7.6	199.2	61.33	198.4	59.20	194.9	57.49	188.7	54.84	182.5	52.89	170.0	51.64
	-5.0	-5.6	207.8	58.94	205.9	56.91	194.9	55.36	188.7	52.82	182.5	50.90	170.0	49.61
	-3.0	-3.7	213.9	56.57	207.3	54.64	194.9	53.22	188.7	50.79	182.5	48.89	170.0	47.60
	0.0	-0.7	219.8	53.00	207.3	51.24	194.9	50.01	188.7	47.76	182.5	45.90	170.0	44.54
	3.0	2.2	219.8	49.43	207.3	47.83	194.9	46.81	188.7	44.73	182.5	42.92	170.0	41.49
	5.0	4.1	219.8	47.06	207.3	45.55	194.9	44.66	188.7	42.71	182.5	40.91	170.0	39.47
	7.0	6	219.8	44.69	207.3	43.28	194.9	42.53	188.7	40.69	182.5	38.93	170.0	37.45
	9.0	7.9	219.8	42.74	207.3	41.40	194.9	40.68	188.7	38.93	182.5	37.26	170.0	35.82
11.0	9.8	219.8	41.17	207.3	39.88	194.9	39.18	188.7	37.48	182.5	35.87	170.0	34.49	
13.0	11.8	219.8	39.49	207.3	38.25	194.9	37.60	188.7	35.96	182.5	34.39	170.0	33.10	
15.0	13.7	219.8	37.72	207.3	36.54	194.9	35.91	188.7	34.34	182.5	32.87	170.0	31.61	
90	-24.8	-25	118.0	56.95	118.0	58.22	117.2	59.11	117.2	59.51	117.2	60.35	115.5	61.62
	-21.8	-22	142.7	58.22	142.7	59.49	141.8	60.35	141.8	60.79	141.8	61.62	139.6	59.03
	-19.8	-20	150.2	59.06	150.2	60.33	149.2	61.21	149.2	61.62	149.2	59.85	147.0	57.29
	-18.8	-19	154.2	59.49	153.2	60.74	152.7	61.62	152.7	60.71	152.7	58.95	150.4	56.41
	-16.7	-17	160.4	60.35	160.4	61.62	159.6	59.73	159.6	58.80	159.6	57.11	154.3	54.60
	-13.7	-15	171.6	61.62	171.6	58.84	170.1	57.06	170.1	56.08	166.0	54.44	155.3	51.99
	-11.8	-13	177.3	59.72	176.3	57.06	175.6	55.35	171.7	54.33	167.2	52.76	155.3	50.36
	-9.8	-11	183.3	57.70	183.3	55.21	177.4	53.56	172.8	52.52	167.2	50.99	155.3	48.61
	-9.5	-10	184.5	57.42	184.5	54.93	177.9	53.28	172.8	52.25	167.2	50.73	155.3	48.34
	-8.5	-9.1	189.1	56.41	187.8	54.00	178.4	52.39	172.8	51.33	167.2	49.84	155.3	47.50
	-7.0	-7.6	199.2	54.89	189.5	52.60	178.4	51.05	172.8	49.96	167.2	48.51	155.3	46.18
	-5.0	-5.6	201.4	52.89	189.5	50.74	178.4	49.27	172.8	48.14	167.2	46.73	155.3	44.45
	-3.0	-3.7	201.4	50.88	189.5	48.89	178.4	47.47	172.8	46.31	167.2	44.96	155.3	42.71
	0.0	-0.7	201.4	47.87	189.5	46.08	178.4	44.78	172.8	43.58	167.2	42.29	155.3	40.12
	3.0	2.2	201.4	44.84	189.5	43.31	178.4	42.11	172.8	40.86	167.2	39.65	155.3	37.50
	5.0	4.1	201.4	42.85	189.5	41.43	178.4	40.31	172.8	39.02	167.2	37.87	155.3	35.78
	7.0	6	201.4	40.83	189.5	39.58	178.4	38.51	172.8	37.21	167.2	36.10	155.3	34.03
	9.0	7.9	201.4	38.94	189.5	37.74	178.4	36.72	172.8	35.47	167.2	34.41	155.3	32.46
11.0	9.8	201.4	37.04	189.5	35.89	178.4	34.93	172.8	33.75	167.2	32.74	155.3	30.87	
13.0	11.8	201.4	35.14	189.5	34.05	178.4	33.15	172.8	32.01	167.2	31.07	155.3	29.29	
15.0	13.7	201.4	33.25	189.5	32.21	178.4	31.36	172.8	30.29	167.2	29.38	155.3	27.71	
80	-24.8	-25	117.5	49.97	117.5	51.25	116.7	52.13	116.7	52.54	116.7	54.64	115.0	52.35
	-21.8	-22	141.2	51.25	141.2	52.49	141.2	53.38	141.2	54.64	141.2	52.35	137.1	50.14
	-19.8	-20	148.5	52.08	148.5	53.33	148.5	54.64	148.5	53.03	146.7	50.83	138.8	48.69
	-18.8	-19	151.9	52.49	151.9	54.64	151.9	53.82	151.4	52.21	147.6	50.07	138.8	47.95
	-16.7	-17	157.5	54.64	157.5	52.95	157.5	52.11	153.9	50.54	149.1	48.46	138.8	46.40
	-13.7	-15	159.5	52.12	159.5	50.51	159.5	49.66	154.7	48.11	149.1	46.17	138.8	44.22
	-11.8	-13	163.4	50.54	159.9	48.98	159.5	48.11	154.7	46.57	149.1	44.72	138.8	42.80
	-9.8	-11	170.4	48.85	165.7	47.36	159.5	46.49	154.7	44.96	149.1	43.20	138.8	41.35
	-9.5	-10	171.5	48.61	166.6	47.13	159.5	46.25	154.7	44.73	149.1	42.98	138.8	41.13
	-8.5	-9.1	175.0	47.77	169.8	46.31	159.5	45.43	154.7	43.90	149.1	42.20	138.8	40.39
	-7.0	-7.6	180.2	46.52	169.8	45.10	159.5	44.19	154.7	42.71	149.1	41.05	138.8	39.29
	-5.0	-5.6	180.2	44.83	169.8	43.48	159.5	42.57	154.7	41.09	149.1	39.53	138.8	37.82
	-3.0	-3.7	180.2	43.16	169.8	41.87	159.5	40.94	154.7	39.47	149.1	38.01	138.8	36.35
	0.0	-0.7	180.2	40.64	169.8	39.43	159.5	38.50	154.7	37.06	149.1	35.73	138.8	34.16
	3.0	2.2	180.2	38.14	169.8	37.00	159.5	36.04	154.7	34.64	149.1	33.43	138.8	31.95
	5.0	4.1	180.2	36.47	169.8	35.38	159.5	34.40	154.7	33.02	149.1	31.90	138.8	30.48
	7.0	6	180.2	34.78	169.8	33.76	159.5	32.78	154.7	31.41	149.1	30.38	138.8	29.01
	9.0	7.9	180.2	32.66	169.8	31.72	159.5	30.77	154.7	29.50	149.1	28.53	138.8	27.24
11.0	9.8	180.2	30.30	169.8	29.42	159.5	28.57	154.7	27.37	149.1	26.46	138.8	25.27	
13.0	11.8	180.2	28.30	169.8	27.47	159.5	26.65	154.7	25.55	149.1	24.71	138.8	23.60	
15.0	13.7	180.2	26.64	169.8	25.86	159.5	25.11	154.7	24.06	149.1	23.27	138.8	22.21	

Notes:

1. TC: Total Capacity(kW) PI : Power Input(kW)(Comp. + Outdoor fan motor)
2. Capacity tables show the average value of conditions which may occur.
3. ■■■ is shown as reference. When selecting the outdoor units, avoid the outdoor air temperature range shown by ■■■ .

7. Capacity Tables

Heating Capacity(62HP)

Combination (%)	Outdoor air temp		Indoor air temp. °C DB											
			16		18		20		21		22		24	
	°C DB	°C WB	TC	PI	TC	PI	TC	PI	TC	PI	TC	PI	TC	PI
70	-24.8	-25	117.5	50.67	117.5	51.07	116.7	51.94	116.7	53.18	116.7	50.70	114.1	48.37
	-21.8	-22	135.5	51.94	135.7	52.35	134.8	53.18	131.2	50.70	127.2	48.37	118.8	46.12
	-19.8	-20	145.5	52.77	143.3	53.18	135.7	51.44	131.2	49.04	127.2	46.82	118.8	44.61
	-18.8	-19	149.2	53.18	144.2	52.27	135.7	50.57	131.2	48.22	127.2	46.03	118.8	43.87
	-16.7	-17	152.6	51.31	144.4	50.39	135.7	48.74	131.2	46.48	127.2	44.42	118.8	42.27
	-13.7	-15	152.9	48.65	144.4	47.69	135.7	46.13	131.2	43.98	127.2	42.09	118.8	40.02
	-11.8	-13	152.9	46.96	144.4	45.98	135.7	44.47	131.2	42.41	127.2	40.62	118.8	38.60
	-9.8	-11	152.9	45.20	144.4	44.19	135.7	42.73	131.2	40.76	127.2	39.06	118.8	37.09
	-9.5	-10	152.9	44.93	144.4	43.92	135.7	42.46	131.2	40.49	127.2	38.82	118.8	36.86
	-8.5	-9.1	152.9	44.04	144.4	43.01	135.7	41.60	131.2	39.67	127.2	38.05	118.8	36.12
	-7.0	-7.6	152.9	42.71	144.4	41.68	135.7	40.30	131.2	38.42	127.2	36.87	118.8	34.98
	-5.0	-5.6	152.9	40.95	144.4	39.86	135.7	38.55	131.2	36.77	127.2	35.34	118.8	33.47
	-3.0	-3.7	152.9	39.17	144.4	38.07	135.7	36.82	131.2	35.12	127.2	33.78	118.8	31.98
	0.0	-0.7	152.9	36.50	144.4	35.37	135.7	34.20	131.2	32.64	127.2	31.45	118.8	29.71
	3.0	2.2	152.9	33.83	144.4	32.66	135.7	31.59	131.2	30.14	127.2	29.12	118.8	27.47
	5.0	4.1	152.9	32.07	144.4	30.87	135.7	29.83	131.2	28.48	127.2	27.56	118.8	25.96
	7.0	6	152.9	30.29	144.4	29.08	135.7	28.09	131.2	26.83	127.2	26.01	118.8	24.47
	9.0	7.9	152.9	27.35	144.4	26.25	135.7	25.36	131.2	24.24	127.2	23.50	118.8	22.08
11.0	9.8	152.9	25.46	144.4	24.43	135.7	23.64	131.2	22.54	127.2	21.88	118.8	20.55	
13.0	11.8	152.9	23.83	144.4	22.87	135.7	22.11	131.2	21.11	127.2	20.46	118.8	19.25	
15.0	13.7	152.9	22.46	144.4	21.56	135.7	20.84	131.2	19.90	127.2	19.30	118.8	18.14	
60	-24.8	-25	114.9	49.83	114.9	50.67	114.1	51.94	111.3	49.29	108.4	46.82	101.7	44.49
	-21.8	-22	124.6	51.07	124.2	51.94	116.4	49.29	112.6	46.82	108.7	44.49	101.7	42.24
	-19.8	-20	131.2	51.94	124.2	50.07	116.4	47.52	112.6	45.17	108.7	42.93	101.7	40.73
	-18.8	-19	131.2	50.99	124.2	49.15	116.4	46.65	112.6	44.35	108.7	42.15	101.7	39.96
	-16.7	-17	131.2	49.03	124.2	47.19	116.4	44.81	112.6	42.61	108.7	40.52	101.7	38.40
	-13.7	-15	131.2	46.23	124.2	44.40	116.4	42.17	112.6	40.14	108.7	38.19	101.7	36.13
	-11.8	-13	131.2	44.45	124.2	42.63	116.4	40.51	112.6	38.55	108.7	36.72	101.7	34.70
	-9.8	-11	131.2	42.58	124.2	40.78	116.4	38.74	112.6	36.91	108.7	35.16	101.7	33.20
	-9.5	-10	131.2	42.30	124.2	40.49	116.4	38.50	112.6	36.67	108.7	34.93	101.7	32.97
	-8.5	-9.1	131.2	41.35	124.2	39.57	116.4	37.60	112.6	35.85	108.7	34.15	101.7	32.23
	-7.0	-7.6	131.2	39.95	124.2	38.18	116.4	36.30	112.6	34.61	108.7	33.00	101.7	31.09
	-5.0	-5.6	131.2	38.10	124.2	36.32	116.4	34.53	112.6	32.96	108.7	31.45	101.7	29.60
	-3.0	-3.7	131.2	36.23	124.2	34.45	116.4	32.79	112.6	31.32	108.7	29.89	101.7	28.10
	0.0	-0.7	131.2	33.41	124.2	31.66	116.4	30.14	112.6	28.84	108.7	27.56	101.7	25.83
	3.0	2.2	131.2	30.61	124.2	28.88	116.4	27.50	112.6	26.34	108.7	25.22	101.7	23.57
	5.0	4.1	131.2	28.74	124.2	27.03	116.4	25.75	112.6	24.70	108.7	23.67	101.7	22.07
	7.0	6	131.2	26.87	124.2	25.17	116.4	24.00	112.6	23.06	108.7	22.12	101.7	20.56
	9.0	7.9	131.2	23.97	124.2	22.45	116.4	21.42	112.6	20.59	108.7	19.72	101.7	18.35
11.0	9.8	131.2	22.39	124.2	20.97	116.4	19.99	112.6	19.21	108.7	18.43	101.7	17.13	
13.0	11.8	131.2	20.97	124.2	19.64	116.4	18.72	112.6	18.00	108.7	17.27	101.7	16.07	
15.0	13.7	131.2	19.82	124.2	18.56	116.4	17.69	112.6	17.00	108.7	16.30	101.7	15.18	
50	-24.8	-25	109.5	44.10	103.3	45.36	96.9	43.01	93.8	40.80	90.7	38.68	84.5	36.74
	-21.8	-22	109.5	45.36	103.3	43.01	96.9	40.80	93.8	38.68	90.7	36.74	84.5	34.85
	-19.8	-20	109.5	43.71	103.3	41.41	96.9	39.32	93.8	37.29	90.7	35.44	84.5	33.60
	-18.8	-19	109.5	42.88	103.3	40.63	96.9	38.58	93.8	36.60	90.7	34.79	84.5	32.96
	-16.7	-17	109.5	41.17	103.3	38.97	96.9	37.02	93.8	35.13	90.7	33.42	84.5	31.66
	-13.7	-15	109.5	38.69	103.3	36.61	96.9	34.81	93.8	33.04	90.7	31.47	84.5	29.77
	-11.8	-13	109.5	37.13	103.3	35.12	96.9	33.42	93.8	31.71	90.7	30.24	84.5	28.58
	-9.8	-11	109.5	35.49	103.3	33.52	96.9	31.94	93.8	30.30	90.7	28.94	84.5	27.33
	-9.5	-10	109.5	35.23	103.3	33.30	96.9	31.71	93.8	30.10	90.7	28.73	84.5	27.14
	-8.5	-9.1	109.5	34.42	103.3	32.51	96.9	30.97	93.8	29.40	90.7	28.08	84.5	26.51
	-7.0	-7.6	109.5	33.19	103.3	31.34	96.9	29.87	93.8	28.35	90.7	27.10	84.5	25.57
	-5.0	-5.6	109.5	31.54	103.3	29.74	96.9	28.39	93.8	26.96	90.7	25.81	84.5	24.32
	-3.0	-3.7	109.5	29.91	103.3	28.17	96.9	26.92	93.8	25.57	90.7	24.51	84.5	23.05
	0.0	-0.7	109.5	27.43	103.3	25.81	96.9	24.70	93.8	23.46	90.7	22.54	84.5	21.18
	3.0	2.2	109.5	24.97	103.3	23.45	96.9	22.49	93.8	21.37	90.7	20.60	84.5	19.30
	5.0	4.1	109.5	23.32	103.3	21.88	96.9	21.01	93.8	19.96	90.7	19.30	84.5	18.05
	7.0	6	109.5	21.67	103.3	20.28	96.9	19.54	93.8	18.56	90.7	18.00	84.5	16.80
	9.0	7.9	109.5	19.57	103.3	18.33	96.9	17.65	93.8	16.77	90.7	16.25	84.5	15.16
11.0	9.8	109.5	18.33	103.3	17.14	96.9	16.52	93.8	15.70	90.7	15.20	84.5	14.18	
13.0	11.8	109.5	17.19	103.3	16.11	96.9	15.51	93.8	14.73	90.7	14.27	84.5	13.31	
15.0	13.7	109.5	16.26	103.3	15.24	96.9	14.68	93.8	13.94	90.7	13.52	84.5	12.61	

Notes:

1. TC: Total Capacity(kW) PI : Power Input(kW)(Comp. + Outdoor fan motor)
2. Capacity tables show the average value of conditions which may occur.
3. ■■■ is shown as reference. When selecting the outdoor units, avoid the outdoor air temperature range shown by ■■■ .

7. Capacity Tables

ARUB640LTE4

Heating Capacity(64HP)

Combination (%)	Outdoor air temp		Indoor air temp. °C DB											
			16		18		20		21		22		24	
	°C DB	°C WB	TC	PI	TC	PI	TC	PI	TC	PI	TC	PI	TC	PI
130	-24.8	-25	129.2	62.6	129.2	63.06	128.4	63.50	128.4	64.16	128.4	64.80	125.8	65.82
	-21.8	-22	155.0	63.58	155.0	64.08	153.8	64.52	153.8	65.18	153.8	65.82	151.0	66.82
	-19.8	-20	162.4	64.24	162.4	64.74	161.4	65.18	161.4	65.84	161.4	66.48	158.2	67.50
	-18.8	-19	165.8	64.56	165.8	65.06	164.8	65.50	164.8	66.18	164.8	66.82	161.6	67.82
	-16.7	-17	173.2	65.26	173.2	65.78	171.8	66.20	171.8	66.88	171.8	67.52	168.6	68.52
	-13.7	-15	183.4	66.28	183.4	66.78	182.2	67.22	182.2	67.88	182.2	68.52	178.8	69.28
	-11.8	-13	189.2	66.92	189.2	67.42	188.2	67.86	188.2	68.52	188.2	69.18	185.0	70.08
	-9.8	-11	195.6	67.58	195.6	68.08	194.4	68.52	194.4	69.18	194.4	70.08	191.8	70.98
	-9.5	-10	196.8	67.68	196.8	68.20	195.6	68.62	195.6	69.28	195.6	70.18	193.0	71.20
	-8.5	-9.1	200.6	68.02	200.6	68.52	199.4	69.02	199.4	69.72	199.4	70.62	196.2	71.80
	-7.0	-7.6	206.2	68.52	206.2	69.02	205.0	69.58	205.0	70.28	205.0	71.18	201.4	72.54
	-5.0	-5.6	214.0	69.56	214.0	70.06	212.6	70.62	212.6	71.32	212.6	72.02	208.0	73.54
	-3.0	-3.7	221.4	70.62	221.4	71.18	220.0	71.74	220.0	72.40	220.0	73.02	214.8	74.54
	0.0	-0.7	232.8	71.66	232.8	72.22	231.4	72.78	231.4	73.40	231.4	74.02	221.8	75.54
	3.0	2.2	244.4	72.74	244.4	73.30	242.6	73.86	242.6	74.48	242.6	75.12	228.6	76.54
	5.0	4.1	251.8	73.80	251.8	74.36	250.4	74.92	250.4	75.60	250.4	76.26	235.4	77.54
	7.0	6	259.6	74.84	259.6	75.40	257.8	75.96	257.8	76.64	257.8	77.38	242.2	78.54
9.0	7.9	260.6	75.20	260.6	75.76	259.8	76.32	259.8	77.06	259.8	77.78	246.6	79.14	
11.0	9.8	260.6	75.06	260.6	75.62	259.8	76.18	259.8	76.88	259.8	77.60	246.6	79.14	
13.0	11.8	260.6	75.08	260.6	75.64	259.8	76.20	259.8	76.90	259.8	77.62	246.6	79.16	
15.0	13.7	260.6	74.94	260.6	75.50	259.8	76.06	259.8	76.76	259.8	77.48	246.6	79.16	
120	-24.8	-25	128.2	63.06	128.2	63.50	127.6	64.16	127.6	64.80	127.6	65.82	125.0	66.52
	-21.8	-22	153.8	64.08	153.8	64.52	152.8	65.18	152.8	65.82	152.8	66.82	150.0	67.52
	-19.8	-20	161.0	64.74	161.0	65.18	160.0	65.84	160.0	66.48	160.0	67.50	157.0	68.20
	-18.8	-19	164.6	65.06	164.6	65.50	163.4	66.18	163.4	66.82	163.4	67.82	160.4	68.52
	-16.7	-17	171.8	65.78	171.8	66.20	170.8	66.88	170.8	67.52	170.8	68.52	167.4	69.28
	-13.7	-15	182.0	66.78	182.0	67.22	181.0	67.88	181.0	68.52	181.0	69.18	174.4	70.08
	-11.8	-13	188.0	67.42	188.0	67.86	186.8	68.52	186.8	69.18	186.8	70.08	181.8	70.98
	-9.8	-11	194.2	68.08	194.2	68.52	193.0	69.02	193.0	69.72	193.0	70.62	189.0	71.80
	-9.5	-10	195.4	68.20	195.4	68.70	194.2	69.20	194.2	69.90	194.2	70.80	190.6	72.00
	-8.5	-9.1	199.2	68.52	199.2	69.02	198.0	69.52	198.0	70.22	198.0	71.12	193.0	72.60
	-7.0	-7.6	204.8	68.88	204.8	69.38	203.4	69.88	203.4	70.58	203.4	71.48	196.0	73.20
	-5.0	-5.6	212.2	69.72	212.2	70.22	211.0	70.72	211.0	71.42	211.0	72.32	201.0	74.20
	-3.0	-3.7	220.0	70.66	220.0	71.16	218.6	71.66	218.6	72.36	218.6	73.26	208.0	75.20
	0.0	-0.7	231.2	71.70	231.2	72.20	229.8	72.70	229.8	73.40	229.8	74.30	214.0	76.20
	3.0	2.2	242.6	72.74	242.6	73.24	240.8	73.74	240.8	74.44	240.8	75.34	220.0	77.20
	5.0	4.1	250.0	73.88	250.0	74.38	248.6	74.88	248.6	75.58	248.6	76.48	226.0	78.20
	7.0	6	257.6	74.92	257.6	75.42	256.0	75.92	256.0	76.62	256.0	77.52	232.0	79.20
9.0	7.9	258.4	75.08	258.4	75.58	256.6	76.08	256.6	76.78	256.6	77.68	234.0	79.80	
11.0	9.8	258.4	75.06	258.4	75.56	256.6	76.06	256.6	76.76	256.6	77.66	234.0	79.80	
13.0	11.8	258.4	75.08	258.4	75.58	256.6	76.08	256.6	76.78	256.6	77.68	234.0	79.80	
15.0	13.7	258.4	75.06	258.4	75.56	256.6	76.06	256.6	76.76	256.6	77.66	234.0	79.80	
110	-24.8	-25	127.6	63.50	127.6	64.16	126.8	64.80	126.8	65.82	126.8	66.52	124.4	67.84
	-21.8	-22	153.0	64.52	153.0	65.18	152.0	65.82	152.0	66.82	152.0	67.52	149.2	68.84
	-19.8	-20	160.4	65.18	160.4	65.84	159.2	66.48	159.2	67.50	159.2	68.20	156.2	69.84
	-18.8	-19	163.8	65.50	163.8	66.18	162.6	66.82	162.6	67.82	162.6	68.52	159.2	70.84
	-16.7	-17	170.8	66.20	170.8	66.88	169.8	67.52	169.8	68.52	169.8	69.28	166.4	71.84
	-13.7	-15	181.0	67.22	181.0	67.88	180.0	68.52	180.0	69.18	180.0	70.08	173.4	72.84
	-11.8	-13	187.0	67.86	187.0	68.52	185.8	69.18	185.8	69.88	185.8	70.78	180.8	73.84
	-9.8	-11	193.2	68.52	193.2	69.02	192.0	69.52	192.0	70.22	192.0	71.12	187.0	74.84
	-9.5	-10	194.2	68.64	194.2	69.14	193.0	69.64	193.0	70.34	193.0	71.24	188.0	75.04
	-8.5	-9.1	198.0	68.92	198.0	69.42	197.0	69.92	197.0	70.62	197.0	71.52	190.0	75.64
	-7.0	-7.6	203.8	69.30	203.8	69.80	202.4	70.30	202.4	71.00	202.4	71.90	193.0	76.24
	-5.0	-5.6	211.2	70.24	211.2	70.74	209.8	71.24	209.8	71.94	209.8	72.84	198.0	77.24
	-3.0	-3.7	218.6	71.30	218.6	71.80	217.4	72.30	217.4	73.00	217.4	73.90	203.0	78.24
	0.0	-0.7	230.0	72.34	230.0	72.84	228.6	73.34	228.6	74.04	228.6	74.94	208.0	79.24
	3.0	2.2	241.2	73.38	241.2	73.88	240.0	74.38	240.0	75.08	240.0	75.98	213.0	80.24
	5.0	4.1	248.4	74.42	248.4	74.92	247.0	75.42	247.0	76.12	247.0	77.02	218.0	81.24
	7.0	6	248.6	74.80	248.6	75.30	247.4	75.80	247.4	76.50	247.4	77.40	218.0	81.24
9.0	7.9	248.6	74.80	248.6	75.30	247.4	75.80	247.4	76.50	247.4	77.40	218.0	81.24	
11.0	9.8	248.6	74.74	248.6	75.24	247.4	75.74	247.4	76.44	247.4	77.34	218.0	81.24	
13.0	11.8	248.6	74.74	248.6	75.24	247.4	75.74	247.4	76.44	247.4	77.34	218.0	81.24	
15.0	13.7	248.6	74.60	248.6	75.10	247.4	75.60	247.4	76.30	247.4	77.20	218.0	81.24	

Notes:

1. TC: Total Capacity(kW) PI : Power Input(kW)(Comp. + Outdoor fan motor)
2. Capacity tables show the average value of conditions which may occur.
3. ■■■ is shown as reference. When selecting the outdoor units, avoid the outdoor air temperature range shown by ■■■ .

7. Capacity Tables

Heating Capacity(64HP)

Combination (%)	Outdoor air temp		Indoor air temp. °C DB											
			16		18		20		21		22		24	
	°C DB	°C WB	TC	PI	TC	PI	TC	PI	TC	PI	TC	PI	TC	PI
100	-24.8	-25	127.0	67.56	127.0	67.68	126.2	64.54	126.2	68.00	126.2	68.14	123.8	68.20
	-21.8	-22	152.4	67.74	152.4	67.88	151.4	66.58	151.4	68.20	151.4	68.90	148.6	68.40
	-19.8	-20	159.6	67.88	159.6	68.00	158.6	67.86	158.6	68.32	158.6	68.64	155.6	68.52
	-18.8	-19	163.0	67.94	162.0	68.06	162.0	68.20	162.0	68.38	162.0	68.52	158.8	67.42
	-16.7	-17	169.0	68.08	169.0	68.20	169.0	68.90	168.2	68.52	168.2	66.24	165.0	65.08
	-13.7	-15	180.2	68.26	180.2	68.40	179.2	68.52	179.2	65.18	179.2	62.94	175.8	61.74
	-11.8	-13	186.0	68.40	185.0	68.52	185.0	66.28	185.0	63.06	185.0	60.88	175.8	59.64
	-9.8	-11	192.2	68.52	192.2	66.00	191.2	63.92	191.2	60.84	188.8	58.68	175.8	57.42
	-9.5	-10	193.2	68.14	193.2	65.62	192.4	63.56	192.4	60.52	188.8	58.36	175.8	57.08
	-8.5	-9.1	197.0	66.80	197.0	64.36	196.0	62.36	195.2	59.40	188.8	57.26	175.8	55.98
	-7.0	-7.6	206.0	64.82	205.2	62.48	201.6	60.60	195.2	57.72	188.8	55.62	175.8	54.30
	-5.0	-5.6	215.0	62.16	213.0	59.94	201.6	58.24	195.2	55.50	188.8	53.44	175.8	52.08
	-3.0	-3.7	221.2	59.52	214.4	57.42	201.6	55.88	195.2	53.26	188.8	51.24	175.8	49.88
	0.0	-0.7	227.4	55.54	214.4	53.64	201.6	52.32	195.2	49.92	188.8	47.96	175.8	46.54
	3.0	2.2	227.4	51.56	214.4	49.86	201.6	48.78	195.2	46.58	188.8	44.68	175.8	43.20
	5.0	4.1	227.4	48.92	214.4	47.34	201.6	46.40	195.2	44.36	188.8	42.48	175.8	40.98
	7.0	6	227.4	46.28	214.4	44.82	201.6	44.04	195.2	42.14	188.8	40.32	175.8	38.78
	9.0	7.9	227.4	44.00	214.4	42.62	201.6	41.88	195.2	40.08	188.8	38.36	175.8	36.88
11.0	9.8	227.4	42.12	214.4	40.80	201.6	40.08	195.2	38.34	188.8	36.70	175.8	35.28	
13.0	11.8	227.4	40.10	214.4	38.84	201.6	38.18	195.2	36.52	188.8	34.92	175.8	33.62	
15.0	13.7	227.4	37.98	214.4	36.80	201.6	36.16	195.2	34.58	188.8	33.10	175.8	31.84	
90	-24.8	-25	126.6	61.60	126.6	62.62	125.8	63.32	125.8	63.64	125.8	64.30	123.4	65.32
	-21.8	-22	151.8	62.62	151.8	63.62	150.8	64.30	150.8	64.66	150.8	65.32	147.8	62.50
	-19.8	-20	159.0	63.28	159.0	64.30	158.0	65.00	158.0	65.32	158.0	63.38	155.0	60.60
	-18.8	-19	163.0	63.62	162.0	64.62	161.4	65.32	161.4	64.32	161.4	62.40	158.2	59.64
	-16.7	-17	169.0	64.30	169.0	65.32	168.2	63.24	168.2	62.22	168.2	60.38	160.6	57.66
	-13.7	-15	180.2	65.32	180.2	62.24	178.6	60.30	178.6	59.24	173.0	57.46	160.6	54.82
	-11.8	-13	186.0	63.22	185.0	60.28	184.2	58.42	178.8	57.32	173.0	55.62	160.6	53.04
	-9.8	-11	192.2	60.98	192.2	58.24	184.6	56.44	178.8	55.34	173.0	53.68	160.6	51.14
	-9.5	-10	193.2	60.66	193.2	57.94	184.6	56.14	178.8	55.04	173.0	53.40	160.6	50.84
	-8.5	-9.1	197.0	59.54	195.6	56.90	184.6	55.16	178.8	54.02	173.0	52.42	160.6	49.92
	-7.0	-7.6	206.0	57.86	196.0	55.36	184.6	53.68	178.8	52.52	173.0	50.96	160.6	48.48
	-5.0	-5.6	208.4	55.64	196.0	53.30	184.6	51.72	178.8	50.52	173.0	49.02	160.6	46.60
	-3.0	-3.7	208.4	53.42	196.0	51.26	184.6	49.74	178.8	48.52	173.0	47.08	160.6	44.70
	0.0	-0.7	208.4	50.08	196.0	48.16	184.6	46.78	178.8	45.52	173.0	44.16	160.6	41.88
	3.0	2.2	208.4	46.72	196.0	45.10	184.6	43.84	178.8	42.54	173.0	41.26	160.6	39.02
	5.0	4.1	208.4	44.52	196.0	43.02	184.6	41.86	178.8	40.52	173.0	39.32	160.6	37.14
	7.0	6	208.4	42.28	196.0	40.98	184.6	39.88	178.8	38.54	173.0	37.38	160.6	35.24
	9.0	7.9	208.4	40.20	196.0	38.96	184.6	37.90	178.8	36.62	173.0	35.52	160.6	33.50
11.0	9.8	208.4	38.10	196.0	36.92	184.6	35.94	178.8	34.72	173.0	33.68	160.6	31.76	
13.0	11.8	208.4	36.02	196.0	34.90	184.6	33.98	178.8	32.80	173.0	31.84	160.6	30.02	
15.0	13.7	208.4	33.94	196.0	32.88	184.6	32.00	178.8	30.92	173.0	29.98	160.6	28.28	
80	-24.8	-25	126.0	54.20	126.0	55.22	125.2	55.92	125.2	56.24	125.2	57.92	122.8	55.42
	-21.8	-22	150.2	55.22	150.2	56.20	150.2	56.92	150.2	57.92	150.2	55.42	143.6	53.02
	-19.8	-20	157.2	55.88	157.2	56.88	157.2	57.92	157.2	56.16	154.2	53.76	143.6	51.44
	-18.8	-19	160.6	56.20	160.6	57.92	160.6	57.02	159.6	55.26	154.2	52.94	143.6	50.64
	-16.7	-17	165.0	57.92	165.0	56.06	165.0	55.14	160.0	53.44	154.2	51.18	143.6	48.96
	-13.7	-15	165.0	55.14	165.0	53.38	165.0	52.46	160.0	50.78	154.2	48.68	143.6	46.58
	-11.8	-13	170.2	53.40	165.8	51.70	165.0	50.76	160.0	49.10	154.2	47.10	143.6	45.04
	-9.8	-11	177.0	51.54	171.8	49.92	165.0	48.98	160.0	47.34	154.2	45.44	143.6	43.46
	-9.5	-10	178.0	51.26	172.6	49.66	165.0	48.72	160.0	47.08	154.2	45.20	143.6	43.22
	-8.5	-9.1	181.4	50.34	175.6	48.76	165.0	47.82	160.0	46.18	154.2	44.36	143.6	42.42
	-7.0	-7.6	186.4	48.96	175.6	47.42	165.0	46.46	160.0	44.88	154.2	43.10	143.6	41.22
	-5.0	-5.6	186.4	47.10	175.6	45.64	165.0	44.68	160.0	43.10	154.2	41.44	143.6	39.62
	-3.0	-3.7	186.4	45.26	175.6	43.88	165.0	42.90	160.0	41.34	154.2	39.78	143.6	38.02
	0.0	-0.7	186.4	42.48	175.6	41.20	165.0	40.22	160.0	38.70	154.2	37.30	143.6	35.64
	3.0	2.2	186.4	39.72	175.6	38.52	165.0	37.52	160.0	36.06	154.2	34.78	143.6	33.24
	5.0	4.1	186.4	37.88	175.6	36.74	165.0	35.72	160.0	34.28	154.2	33.12	143.6	31.64
	7.0	6	186.4	36.02	175.6	34.96	165.0	33.94	160.0	32.52	154.2	31.46	143.6	30.04
	9.0	7.9	186.4	33.82	175.6	32.84	165.0	31.86	160.0	30.54	154.2	29.54	143.6	28.20
11.0	9.8	186.4	31.38	175.6	30.46	165.0	29.58	160.0	28.34	154.2	27.40	143.6	26.16	
13.0	11.8	186.4	29.30	175.6	28.44	165.0	27.60	160.0	26.46	154.2	25.58	143.6	24.44	
15.0	13.7	186.4	27.58	175.6	26.78	165.0	26.00	160.0	24.92	154.2	24.10	143.6	23.00	

Notes:

1. TC: Total Capacity(kW) PI : Power Input(kW)(Comp. + Outdoor fan motor)
2. Capacity tables show the average value of conditions which may occur.
3. ■■■ is shown as reference. When selecting the outdoor units, avoid the outdoor air temperature range shown by ■■■ .

7. Capacity Tables

Heating Capacity(64HP)

Combination (%)	Outdoor air temp		Indoor air temp. °C DB											
			16		18		20		21		22		24	
	°C DB	°C WB	TC	PI	TC	PI	TC	PI	TC	PI	TC	PI	TC	PI
70	-24.8	-25	126.0	54.56	126.0	54.88	125.2	55.58	125.2	56.56	125.2	53.86	121.0	51.32
	-21.8	-22	141.4	55.58	141.4	55.90	140.4	56.56	135.8	53.86	131.6	51.32	122.8	48.86
	-19.8	-20	151.6	56.24	149.4	56.56	140.4	54.66	135.8	52.04	131.6	49.62	122.8	47.22
	-18.8	-19	155.6	56.56	149.4	55.56	140.4	53.70	135.8	51.14	131.6	48.76	122.8	46.42
	-16.7	-17	158.2	54.50	149.4	53.50	140.4	51.70	135.8	49.24	131.6	47.00	122.8	44.68
	-13.7	-15	158.2	51.58	149.4	50.54	140.4	48.84	135.8	46.52	131.6	44.46	122.8	42.24
	-11.8	-13	158.2	49.72	149.4	48.66	140.4	47.02	135.8	44.80	131.6	42.86	122.8	40.70
	-9.8	-11	158.2	47.78	149.4	46.70	140.4	45.12	135.8	43.00	131.6	41.16	122.8	39.06
	-9.5	-10	158.2	47.48	149.4	46.40	140.4	44.82	135.8	42.70	131.6	40.90	122.8	38.80
	-8.5	-9.1	158.2	46.50	149.4	45.40	140.4	43.88	135.8	41.80	131.6	40.06	122.8	38.00
	-7.0	-7.6	158.2	45.04	149.4	43.94	140.4	42.46	135.8	40.44	131.6	38.78	122.8	36.76
	-5.0	-5.6	158.2	43.10	149.4	41.94	140.4	40.54	135.8	38.64	131.6	37.10	122.8	35.12
	-3.0	-3.7	158.2	41.14	149.4	39.98	140.4	38.64	135.8	36.84	131.6	35.40	122.8	33.50
	0.0	-0.7	158.2	38.20	149.4	37.02	140.4	35.78	135.8	34.12	131.6	32.86	122.8	31.04
	3.0	2.2	158.2	35.26	149.4	34.04	140.4	32.92	135.8	31.40	131.6	30.32	122.8	28.60
	5.0	4.1	158.2	33.32	149.4	32.08	140.4	31.00	135.8	29.58	131.6	28.62	122.8	26.96
	7.0	6	158.2	31.36	149.4	30.12	140.4	29.08	135.8	27.78	131.6	26.94	122.8	25.34
	9.0	7.9	158.2	28.32	149.4	27.18	140.4	26.26	135.8	25.10	131.6	24.34	122.8	22.86
11.0	9.8	158.2	26.36	149.4	25.30	140.4	24.48	135.8	23.34	131.6	22.66	122.8	21.28	
13.0	11.8	158.2	24.68	149.4	23.68	140.4	22.90	135.8	21.86	131.6	21.18	122.8	19.94	
15.0	13.7	158.2	23.26	149.4	22.32	140.4	21.58	135.8	20.60	131.6	19.98	122.8	18.78	
60	-24.8	-25	121.2	53.90	121.2	54.56	120.4	55.58	116.4	52.66	112.4	49.96	105.2	47.40
	-21.8	-22	129.8	54.88	128.4	55.58	120.4	52.66	116.4	49.96	112.4	47.40	105.2	44.94
	-19.8	-20	135.8	55.58	128.4	53.52	120.4	50.72	116.4	48.14	112.4	45.70	105.2	43.30
	-18.8	-19	135.8	54.52	128.4	52.50	120.4	49.76	116.4	47.24	112.4	44.84	105.2	42.46
	-16.7	-17	135.8	52.36	128.4	50.34	120.4	47.74	116.4	45.34	112.4	43.06	105.2	40.76
	-13.7	-15	135.8	49.26	128.4	47.26	120.4	44.84	116.4	42.62	112.4	40.50	105.2	38.28
	-11.8	-13	135.8	47.28	128.4	45.32	120.4	43.00	116.4	40.88	112.4	38.90	105.2	36.72
	-9.8	-11	135.8	45.22	128.4	43.28	120.4	41.06	116.4	39.08	112.4	37.18	105.2	35.08
	-9.5	-10	135.8	44.90	128.4	42.96	120.4	40.80	116.4	38.82	112.4	36.94	105.2	34.84
	-8.5	-9.1	135.8	43.86	128.4	41.94	120.4	39.80	116.4	37.92	112.4	36.08	105.2	34.02
	-7.0	-7.6	135.8	42.30	128.4	40.40	120.4	38.38	116.4	36.56	112.4	34.82	105.2	32.78
	-5.0	-5.6	135.8	40.26	128.4	38.36	120.4	36.44	116.4	34.74	112.4	33.12	105.2	31.16
	-3.0	-3.7	135.8	38.18	128.4	36.30	120.4	34.52	116.4	32.94	112.4	31.42	105.2	29.52
	0.0	-0.7	135.8	35.06	128.4	33.22	120.4	31.60	116.4	30.22	112.4	28.86	105.2	27.04
	3.0	2.2	135.8	31.96	128.4	30.16	120.4	28.70	116.4	27.48	112.4	26.30	105.2	24.58
	5.0	4.1	135.8	29.90	128.4	28.12	120.4	26.78	116.4	25.68	112.4	24.60	105.2	22.94
	7.0	6	135.8	27.82	128.4	26.06	120.4	24.86	116.4	23.88	112.4	22.90	105.2	21.30
	9.0	7.9	135.8	24.82	128.4	23.24	120.4	22.18	116.4	21.32	112.4	20.42	105.2	19.00
11.0	9.8	135.8	23.18	128.4	21.72	120.4	20.70	116.4	19.90	112.4	19.08	105.2	17.74	
13.0	11.8	135.8	21.72	128.4	20.34	120.4	19.38	116.4	18.64	112.4	17.88	105.2	16.64	
15.0	13.7	135.8	20.52	128.4	19.22	120.4	18.32	116.4	17.60	112.4	16.88	105.2	15.72	
50	-24.8	-25	113.2	47.08	106.8	48.08	100.2	45.54	97.0	43.16	93.8	40.88	87.4	38.80
	-21.8	-22	113.2	48.08	106.8	45.54	100.2	43.16	97.0	40.88	93.8	38.80	87.4	36.76
	-19.8	-20	113.2	46.30	106.8	43.82	100.2	41.56	97.0	39.38	93.8	37.40	87.4	35.42
	-18.8	-19	113.2	45.40	106.8	42.98	100.2	40.76	97.0	38.64	93.8	36.70	87.4	34.74
	-16.7	-17	113.2	43.54	106.8	41.18	100.2	39.08	97.0	37.06	93.8	35.22	87.4	33.34
	-13.7	-15	113.2	40.86	106.8	38.64	100.2	36.70	97.0	34.80	93.8	33.12	87.4	31.32
	-11.8	-13	113.2	39.18	106.8	37.02	100.2	35.20	97.0	33.38	93.8	31.80	87.4	30.04
	-9.8	-11	113.2	37.40	106.8	35.30	100.2	33.60	97.0	31.86	93.8	30.40	87.4	28.70
	-9.5	-10	113.2	37.12	106.8	35.06	100.2	33.36	97.0	31.64	93.8	30.18	87.4	28.50
	-8.5	-9.1	113.2	36.24	106.8	34.20	100.2	32.56	97.0	30.88	93.8	29.48	87.4	27.82
	-7.0	-7.6	113.2	34.90	106.8	32.94	100.2	31.38	97.0	29.76	93.8	28.42	87.4	26.80
	-5.0	-5.6	113.2	33.12	106.8	31.22	100.2	29.78	97.0	28.26	93.8	27.04	87.4	25.46
	-3.0	-3.7	113.2	31.36	106.8	29.52	100.2	28.20	97.0	26.76	93.8	25.64	87.4	24.10
	0.0	-0.7	113.2	28.68	106.8	26.98	100.2	25.80	97.0	24.50	93.8	23.52	87.4	22.10
	3.0	2.2	113.2	26.02	106.8	24.42	100.2	23.42	97.0	22.24	93.8	21.44	87.4	20.08
	5.0	4.1	113.2	24.22	106.8	22.72	100.2	21.82	97.0	20.72	93.8	20.04	87.4	18.74
	7.0	6	113.2	22.44	106.8	21.00	100.2	20.24	97.0	19.22	93.8	18.64	87.4	17.40
	9.0	7.9	113.2	20.26	106.8	18.98	100.2	18.28	97.0	17.36	93.8	16.82	87.4	15.70
11.0	9.8	113.2	18.98	106.8	17.74	100.2	17.10	97.0	16.26	93.8	15.74	87.4	14.68	
13.0	11.8	113.2	17.80	106.8	16.68	100.2	16.06	97.0	15.26	93.8	14.78	87.4	13.78	
15.0	13.7	113.2	16.84	106.8	15.78	100.2	15.20	97.0	14.44	93.8	14.00	87.4	13.06	

Notes:

1. TC: Total Capacity(kW) PI : Power Input(kW)(Comp. + Outdoor fan motor)
2. Capacity tables show the average value of conditions which may occur.
3. ■■■ is shown as reference. When selecting the outdoor units, avoid the outdoor air temperature range shown by ■■■ .

7. Capacity Tables

ARUB660LTE4

Heating Capacity(66HP)

Outdoor Units

Combination (%)	Outdoor air temp		Indoor air temp. °C DB											
			16		18		20		21		22		24	
	°C DB	°C WB	TC	PI	TC	PI	TC	PI	TC	PI	TC	PI	TC	PI
130	-24.8	-25	130.4	63.7	130.4	64.30	129.5	64.85	129.5	65.68	129.5	66.47	127.5	67.74
	-21.8	-22	156.6	64.94	156.6	65.57	155.5	66.11	155.5	66.94	155.5	67.74	153.3	68.98
	-19.8	-20	164.3	65.77	164.3	66.39	163.3	66.94	163.3	67.76	163.3	68.56	160.8	69.82
	-18.8	-19	167.9	66.18	167.9	66.80	166.9	67.35	166.9	68.19	166.9	68.98	164.4	70.23
	-16.7	-17	175.5	67.05	175.5	67.69	174.2	68.22	174.2	69.06	174.2	69.85	171.7	71.10
	-13.7	-15	186.2	68.31	186.2	68.93	184.9	69.48	184.9	70.31	184.9	71.10	182.3	68.36
	-11.8	-13	192.1	69.11	192.1	69.73	191.1	70.28	191.1	71.10	191.1	69.25	188.5	66.59
	-9.8	-11	198.7	69.93	198.7	70.56	197.5	71.10	197.5	69.12	197.5	67.27	195.2	64.76
	-9.5	-10	200.2	70.05	200.2	70.70	199.0	70.80	199.0	68.82	198.4	66.99	196.3	64.48
	-8.5	-9.1	205.0	70.48	205.0	71.10	203.8	69.77	203.8	67.82	201.6	66.01	199.5	63.56
	-7.0	-7.6	212.3	71.10	212.3	69.60	211.0	68.24	211.0	66.33	211.0	64.55	205.9	62.18
	-5.0	-5.6	222.1	69.15	222.1	67.61	220.7	66.20	220.7	64.34	220.7	62.60	212.8	60.35
	-3.0	-3.7	231.7	67.20	231.7	65.60	230.2	64.18	230.2	62.35	230.2	60.62	219.9	58.52
	0.0	-0.7	246.2	64.26	246.2	62.59	244.7	61.12	243.6	59.35	241.4	57.70	230.0	55.74
	3.0	2.2	255.6	61.34	255.6	59.60	254.0	58.06	252.4	56.38	250.2	54.75	234.2	52.99
	5.0	4.1	261.4	59.40	261.4	57.59	260.1	56.02	258.5	54.39	251.7	52.79	234.2	51.16
	7.0	6	267.5	57.44	267.5	55.60	265.9	53.98	260.6	52.40	251.7	50.84	234.2	49.33
	9.0	7.9	268.2	55.81	268.2	54.03	267.4	52.45	260.6	50.92	251.7	49.41	234.2	47.92
11.0	9.8	268.2	54.70	268.2	52.92	267.4	51.39	260.6	49.89	251.7	48.40	234.2	46.95	
13.0	11.8	268.2	53.46	268.2	51.75	267.4	50.24	260.6	48.78	251.7	47.33	234.2	45.92	
15.0	13.7	268.2	52.17	268.2	50.49	267.4	49.02	260.6	47.59	251.7	46.18	234.2	44.79	
120	-24.8	-25	129.4	64.30	129.4	64.85	128.7	65.68	128.7	66.47	128.7	67.74	126.7	68.61
	-21.8	-22	155.5	65.57	155.5	66.11	154.5	66.94	154.5	67.74	154.5	68.98	152.3	69.85
	-19.8	-20	163.0	66.39	163.0	66.94	161.9	67.76	161.9	68.56	161.9	69.82	159.6	70.70
	-18.8	-19	166.6	66.80	166.6	67.35	165.5	68.19	165.5	68.98	165.5	70.23	163.2	71.10
	-16.7	-17	174.1	67.69	174.1	68.22	173.1	69.06	173.1	69.85	173.1	71.10	170.5	69.33
	-13.7	-15	184.8	68.93	184.8	69.48	183.7	70.31	183.7	71.10	183.7	68.46	180.9	66.79
	-11.8	-13	190.9	69.73	190.9	70.28	189.7	71.10	189.7	69.22	189.7	66.78	187.3	65.19
	-9.8	-11	197.3	70.56	197.3	71.10	196.1	69.04	196.1	67.27	196.1	65.01	193.8	63.50
	-9.5	-10	198.7	70.70	198.7	70.78	197.5	68.72	197.5	66.95	197.5	64.75	195.2	63.26
	-8.5	-9.1	203.6	71.10	203.6	69.69	202.4	67.68	202.4	65.97	201.5	63.87	199.2	62.40
	-7.0	-7.6	210.8	69.45	210.8	68.05	209.4	66.14	209.4	64.49	206.7	62.54	204.4	61.14
	-5.0	-5.6	220.3	67.28	220.3	65.84	219.1	64.06	219.1	62.52	219.1	60.79	211.3	59.44
	-3.0	-3.7	230.2	65.09	230.2	63.65	228.7	62.01	228.7	60.55	227.9	59.02	217.8	57.77
	0.0	-0.7	244.6	61.81	244.1	60.37	240.5	58.91	238.5	57.59	236.7	56.38	220.0	55.21
	3.0	2.2	253.7	58.55	253.0	57.09	249.1	55.81	244.5	54.63	236.8	53.72	220.0	52.67
	5.0	4.1	259.5	56.35	258.8	54.90	252.8	53.74	244.5	52.65	236.8	51.96	220.0	51.00
	7.0	6	265.4	54.17	263.1	52.71	252.8	51.68	244.5	50.67	236.8	50.20	220.0	49.30
	9.0	7.9	266.0	52.53	263.1	51.09	252.8	50.08	244.5	49.13	236.8	48.67	220.0	47.80
11.0	9.8	266.0	51.33	263.1	49.94	252.8	48.96	244.5	48.01	236.8	47.57	220.0	46.71	
13.0	11.8	266.0	50.05	263.1	48.69	252.8	47.74	244.5	46.82	236.8	46.39	220.0	45.55	
15.0	13.7	266.0	48.69	263.1	47.37	252.8	46.42	244.5	45.53	236.8	45.12	220.0	44.31	
110	-24.8	-25	128.7	64.85	128.7	65.68	127.9	66.47	127.9	67.74	127.9	68.61	126.0	69.02
	-21.8	-22	154.7	66.11	154.7	66.94	153.7	67.74	153.7	68.98	153.7	69.85	151.5	70.28
	-19.8	-20	162.3	66.94	162.3	67.76	161.1	68.56	161.1	69.82	161.1	70.70	158.7	71.10
	-18.8	-19	165.8	67.35	165.8	68.19	164.7	68.98	164.7	70.23	164.7	71.10	162.3	70.18
	-16.7	-17	173.1	68.22	173.1	69.06	172.1	69.85	172.1	71.10	172.1	69.19	169.5	68.20
	-13.7	-15	183.7	69.48	183.7	70.31	182.7	71.10	182.7	68.21	182.7	66.46	182.7	65.41
	-11.8	-13	189.9	70.28	189.9	71.10	188.6	69.05	188.6	66.38	188.6	64.72	188.6	63.63
	-9.8	-11	196.2	71.10	196.2	68.79	195.0	66.89	195.0	64.43	195.0	62.88	193.6	61.77
	-9.5	-10	197.6	70.72	197.6	68.43	196.5	66.58	196.5	64.14	196.5	62.61	195.9	61.48
	-8.5	-9.1	202.4	69.48	202.4	67.28	201.3	65.49	201.3	63.16	201.1	61.69	197.5	60.55
	-7.0	-7.6	209.7	67.59	209.7	65.55	208.3	63.86	208.3	61.72	206.8	60.34	198.0	59.16
	-5.0	-5.6	219.2	65.09	219.2	63.22	217.8	61.71	216.8	59.78	211.1	58.50	198.0	57.28
	-3.0	-3.7	228.8	62.60	228.8	60.90	224.6	59.55	219.5	57.84	212.0	56.68	198.0	55.42
	0.0	-0.7	241.3	58.82	238.0	57.44	226.9	56.32	219.5	54.94	212.0	53.95	198.0	52.61
	3.0	2.2	250.1	55.08	241.9	53.95	226.9	53.08	219.5	52.03	212.0	51.20	198.0	49.80
	5.0	4.1	255.7	52.57	241.9	51.63	226.9	50.92	219.5	50.09	212.0	49.38	198.0	47.95
	7.0	6	255.8	50.06	241.9	49.31	226.9	48.75	219.5	48.18	212.0	47.54	198.0	46.09
	9.0	7.9	255.8	48.33	241.9	47.60	226.9	47.07	219.5	46.49	212.0	45.90	198.0	44.49
11.0	9.8	255.8	47.00	241.9	46.29	226.9	45.78	219.5	45.23	212.0	44.65	198.0	43.26	
13.0	11.8	255.8	45.59	241.9	44.91	226.9	44.39	219.5	43.84	212.0	43.29	198.0	41.95	
15.0	13.7	255.8	44.09	241.9	43.42	226.9	42.93	219.5	42.42	212.0	41.87	198.0	40.58	

Notes:

1. TC: Total Capacity(kW) PI : Power Input(kW)(Comp. + Outdoor fan motor)
2. Capacity tables show the average value of conditions which may occur.
3. ■ is shown as reference. When selecting the outdoor units, avoid the outdoor air temperature range shown by ■.

7. Capacity Tables

Heating Capacity(66HP)

Combination (%)	Outdoor air temp		Indoor air temp. °C DB											
			16		18		20		21		22		24	
	°C DB	°C WB	TC	PI	TC	PI	TC	PI	TC	PI	TC	PI	TC	PI
100	-24.8	-25	128.1	69.06	128.1	69.32	127.3	66.55	127.3	70.00	127.3	70.29	125.4	70.42
	-21.8	-22	154.1	69.46	154.1	69.74	153.1	68.66	153.1	70.42	153.1	71.29	150.9	70.84
	-19.8	-20	161.5	69.74	161.5	70.01	160.5	69.99	160.5	70.68	160.5	71.16	158.2	71.10
	-18.8	-19	165.1	69.87	164.0	70.14	164.0	70.42	164.0	70.81	164.0	71.10	161.5	69.97
	-16.7	-17	171.3	70.17	171.3	70.43	171.3	71.29	170.5	71.10	170.5	68.76	168.0	67.58
	-13.7	-15	182.9	70.56	182.9	70.85	181.9	71.10	181.9	67.69	181.9	65.39	179.2	64.16
	-11.8	-13	188.9	70.84	187.8	71.10	187.8	68.82	187.8	65.52	187.8	63.28	180.6	62.00
	-9.8	-11	195.2	71.10	195.2	68.53	194.2	66.41	194.2	63.25	192.3	61.03	180.9	59.72
	-9.5	-10	196.5	70.71	196.5	68.14	195.7	66.04	195.7	62.92	192.9	60.70	180.9	59.38
	-8.5	-9.1	201.4	69.36	201.4	66.86	200.3	64.82	200.9	61.78	194.3	59.57	180.9	58.25
	-7.0	-7.6	212.0	67.34	211.2	64.94	207.5	63.03	200.9	60.06	194.3	57.90	180.9	56.53
	-5.0	-5.6	221.3	64.64	219.2	62.36	207.5	60.62	200.9	57.79	194.3	55.66	180.9	54.25
	-3.0	-3.7	227.7	61.95	220.7	59.79	207.5	58.20	200.9	55.50	194.3	53.41	180.9	52.00
	0.0	-0.7	234.1	57.89	220.7	55.94	207.5	54.57	200.9	52.10	194.3	50.06	180.9	48.57
	3.0	2.2	234.1	53.85	220.7	52.08	207.5	50.96	200.9	48.68	194.3	46.70	180.9	45.15
	5.0	4.1	234.1	51.16	220.7	49.52	207.5	48.54	200.9	46.41	194.3	44.45	180.9	42.88
	7.0	6	234.1	48.47	220.7	46.95	207.5	46.13	200.9	44.14	194.3	42.23	180.9	40.62
	9.0	7.9	234.1	46.14	220.7	44.69	207.5	43.92	200.9	42.03	194.3	40.22	180.9	38.66
11.0	9.8	234.1	44.21	220.7	42.82	207.5	42.08	200.9	40.25	194.3	38.52	180.9	37.03	
13.0	11.8	234.1	42.16	220.7	40.83	207.5	40.13	200.9	38.38	194.3	36.71	180.9	35.33	
15.0	13.7	234.1	39.99	220.7	38.74	207.5	38.07	200.9	36.41	194.3	34.84	180.9	33.51	
90	-24.8	-25	127.7	62.95	127.7	64.21	126.9	65.09	126.9	65.49	126.9	66.32	125.0	67.58
	-21.8	-22	153.4	64.21	153.4	65.46	152.4	66.32	152.4	66.76	152.4	67.58	150.1	64.70
	-19.8	-20	160.9	65.04	160.9	66.30	159.8	67.17	159.8	67.58	159.8	68.60	157.5	62.77
	-18.8	-19	165.1	65.46	164.0	66.71	163.4	67.58	163.4	66.57	163.4	64.61	160.9	61.79
	-16.7	-17	171.3	66.32	171.3	67.58	170.5	65.47	170.5	64.43	170.5	62.56	164.4	59.77
	-13.7	-15	182.9	67.58	182.9	64.46	181.2	62.49	181.2	61.40	176.9	59.59	165.4	56.88
	-11.8	-13	188.9	65.45	187.8	62.48	187.1	60.58	182.9	59.45	178.1	57.71	165.4	55.06
	-9.8	-11	195.2	63.19	195.2	60.41	188.9	58.58	184.0	57.43	178.1	55.73	165.4	53.12
	-9.5	-10	196.5	62.87	196.5	60.10	189.4	58.27	184.0	57.13	178.1	55.45	165.4	52.82
	-8.5	-9.1	201.4	61.74	200.0	59.05	189.9	57.27	184.0	56.10	178.1	54.45	165.4	51.88
	-7.0	-7.6	212.0	60.04	201.7	57.50	189.9	55.77	184.0	54.58	178.1	52.97	165.4	50.42
	-5.0	-5.6	214.4	57.79	201.7	55.41	189.9	53.79	184.0	52.54	178.1	51.00	165.4	48.49
	-3.0	-3.7	214.4	55.55	201.7	53.34	189.9	51.78	184.0	50.51	178.1	49.02	165.4	46.56
	0.0	-0.7	214.4	52.17	201.7	50.20	189.9	48.77	184.0	47.46	178.1	46.05	165.4	43.68
	3.0	2.2	214.4	48.78	201.7	47.10	189.9	45.79	184.0	44.43	178.1	43.10	165.4	40.77
	5.0	4.1	214.4	46.55	201.7	45.00	189.9	43.78	184.0	42.38	178.1	41.13	165.4	38.85
	7.0	6	214.4	44.29	201.7	42.93	189.9	41.77	184.0	40.36	178.1	39.15	165.4	36.91
	9.0	7.9	214.4	42.18	201.7	40.88	189.9	39.77	184.0	38.42	178.1	37.27	165.4	35.15
11.0	9.8	214.4	40.05	201.7	38.81	189.9	37.78	184.0	36.49	178.1	35.40	165.4	33.39	
13.0	11.8	214.4	37.93	201.7	36.76	189.9	35.78	184.0	34.55	178.1	33.53	165.4	31.62	
15.0	13.7	214.4	35.82	201.7	34.71	189.9	33.78	184.0	32.63	178.1	31.65	165.4	29.85	
80	-24.8	-25	127.1	55.29	127.1	56.56	126.3	57.43	126.3	57.84	126.3	59.92	124.4	57.38
	-21.8	-22	151.9	56.56	151.9	57.79	151.9	58.68	151.9	59.92	151.9	57.38	146.1	54.93
	-19.8	-20	159.1	57.38	159.1	58.63	159.1	59.92	159.1	58.13	156.4	55.69	147.8	53.31
	-18.8	-19	162.6	57.79	162.6	59.92	162.6	59.01	161.6	57.22	157.3	54.84	147.8	52.49
	-16.7	-17	167.8	59.92	167.8	58.04	167.8	57.10	163.9	55.36	158.8	53.05	147.8	50.78
	-13.7	-15	169.8	57.11	169.8	55.32	169.8	54.37	164.7	52.66	158.8	50.51	147.8	48.35
	-11.8	-13	174.5	55.34	170.6	53.61	169.8	52.65	164.7	50.94	158.8	48.89	147.8	46.78
	-9.8	-11	181.7	53.46	176.6	51.80	169.8	50.84	164.7	49.15	158.8	47.20	147.8	45.16
	-9.5	-10	182.9	53.18	177.5	51.54	169.8	50.57	164.7	48.89	158.8	46.96	147.8	44.92
	-8.5	-9.1	186.5	52.24	180.8	50.63	169.8	49.66	164.7	47.97	158.8	46.10	147.8	44.10
	-7.0	-7.6	191.8	50.84	180.8	49.27	169.8	48.28	164.7	46.65	158.8	44.82	147.8	42.88
	-5.0	-5.6	191.8	48.96	180.8	47.46	169.8	46.47	164.7	44.84	158.8	43.13	147.8	41.25
	-3.0	-3.7	191.8	47.09	180.8	45.67	169.8	44.65	164.7	43.04	158.8	41.44	147.8	39.62
	0.0	-0.7	191.8	44.28	180.8	42.95	169.8	41.93	164.7	40.35	158.8	38.90	147.8	37.18
	3.0	2.2	191.8	41.48	180.8	40.24	169.8	39.18	164.7	37.67	158.8	36.34	147.8	34.73
	5.0	4.1	191.8	39.61	180.8	38.43	169.8	37.36	164.7	35.86	158.8	34.64	147.8	33.10
	7.0	6	191.8	37.73	180.8	36.62	169.8	35.55	164.7	34.07	158.8	32.95	147.8	31.47
	9.0	7.9	191.8	35.43	180.8	34.40	169.8	33.38	164.7	31.99	158.8	30.94	147.8	29.54
11.0	9.8	191.8	32.87	180.8	31.91	169.8	30.98	164.7	29.68	158.8	28.70	147.8	27.41	
13.0	11.8	191.8	30.69	180.8	29.79	169.8	28.91	164.7	27.72	158.8	26.80	147.8	25.60	
15.0	13.7	191.8	28.89	180.8	28.05	169.8	27.23	164.7	26.10	158.8	25.24	147.8	24.09	

Notes:

1. TC: Total Capacity(kW) PI : Power Input(kW)(Comp. + Outdoor fan motor)
2. Capacity tables show the average value of conditions which may occur.
3. ■■■ is shown as reference. When selecting the outdoor units, avoid the outdoor air temperature range shown by ■■■ .

7. Capacity Tables

Heating Capacity(66HP)

Outdoor Units

Combination (%)	Outdoor air temp		Indoor air temp. °C DB											
			16		18		20		21		22		24	
	°C DB	°C WB	TC	PI	TC	PI	TC	PI	TC	PI	TC	PI	TC	PI
70	-24.8	-25	127.1	55.85	127.1	56.25	126.3	57.11	126.3	58.34	126.3	55.59	122.6	53.01
	-21.8	-22	144.4	57.11	144.6	57.52	143.6	58.34	139.7	55.59	135.4	53.01	126.4	50.51
	-19.8	-20	153.7	57.93	152.6	58.34	144.5	56.41	139.7	53.74	135.4	51.29	126.4	48.84
	-18.8	-19	157.8	58.34	153.5	57.33	144.5	55.44	139.7	52.83	135.4	50.41	126.4	48.02
	-16.7	-17	162.5	56.26	153.7	55.24	144.5	53.41	139.7	50.90	135.4	48.62	126.4	46.25
	-13.7	-15	162.8	53.30	153.7	52.24	144.5	50.51	139.7	48.14	135.4	46.04	126.4	43.76
	-11.8	-13	162.8	51.42	153.7	50.33	144.5	48.66	139.7	46.39	135.4	44.41	126.4	42.19
	-9.8	-11	162.8	49.45	153.7	48.34	144.5	46.73	139.7	44.56	135.4	42.68	126.4	40.52
	-9.5	-10	162.8	49.15	153.7	48.04	144.5	46.43	139.7	44.26	135.4	42.41	126.4	40.26
	-8.5	-9.1	162.8	48.17	153.7	47.03	144.5	45.48	139.7	43.35	135.4	41.56	126.4	39.44
	-7.0	-7.6	162.8	46.69	153.7	45.55	144.5	44.03	139.7	41.96	135.4	40.26	126.4	38.18
	-5.0	-5.6	162.8	44.72	153.7	43.53	144.5	42.08	139.7	40.13	135.4	38.55	126.4	36.51
	-3.0	-3.7	162.8	42.74	153.7	41.54	144.5	40.16	139.7	38.30	135.4	36.82	126.4	34.85
	0.0	-0.7	162.8	39.76	153.7	38.54	144.5	37.25	139.7	35.54	135.4	34.24	126.4	32.35
	3.0	2.2	162.8	36.80	153.7	35.52	144.5	34.35	139.7	32.78	135.4	31.66	126.4	29.87
	5.0	4.1	162.8	34.83	153.7	33.53	144.5	32.41	139.7	30.93	135.4	29.93	126.4	28.20
	7.0	6	162.8	32.85	153.7	31.54	144.5	30.47	139.7	29.10	135.4	28.22	126.4	26.54
	9.0	7.9	162.8	29.67	153.7	28.48	144.5	27.51	139.7	26.29	135.4	25.49	126.4	23.95
11.0	9.8	162.8	27.62	153.7	26.50	144.5	25.64	139.7	24.45	135.4	23.73	126.4	22.29	
13.0	11.8	162.8	25.85	153.7	24.81	144.5	23.98	139.7	22.90	135.4	22.19	126.4	20.88	
15.0	13.7	162.8	24.37	153.7	23.38	144.5	22.61	139.7	21.58	135.4	20.93	126.4	19.67	
60	-24.8	-25	122.5	55.02	122.5	55.85	121.7	57.11	118.5	54.16	115.4	51.42	108.3	48.83
	-21.8	-22	132.7	56.25	132.2	57.11	124.0	54.16	119.8	51.42	115.7	48.83	108.3	46.33
	-19.8	-20	139.7	57.11	132.2	55.03	124.0	52.20	119.8	49.58	115.7	47.10	108.3	44.66
	-18.8	-19	139.7	56.05	132.2	54.00	124.0	51.23	119.8	48.67	115.7	46.23	108.3	43.81
	-16.7	-17	139.7	53.87	132.2	51.82	124.0	49.18	119.8	46.74	115.7	44.43	108.3	42.08
	-13.7	-15	139.7	50.74	132.2	48.71	124.0	46.25	119.8	43.99	115.7	41.84	108.3	39.57
	-11.8	-13	139.7	48.75	132.2	46.75	124.0	44.39	119.8	42.23	115.7	40.21	108.3	37.98
	-9.8	-11	139.7	46.67	132.2	44.68	124.0	42.43	119.8	40.41	115.7	38.47	108.3	36.32
	-9.5	-10	139.7	46.35	132.2	44.37	124.0	42.16	119.8	40.14	115.7	38.22	108.3	36.07
	-8.5	-9.1	139.7	45.30	132.2	43.34	124.0	41.16	119.8	39.23	115.7	37.35	108.3	35.24
	-7.0	-7.6	139.7	43.74	132.2	41.78	124.0	39.71	119.8	37.85	115.7	36.07	108.3	33.98
	-5.0	-5.6	139.7	41.67	132.2	39.72	124.0	37.75	119.8	36.01	115.7	34.35	108.3	32.32
	-3.0	-3.7	139.7	39.58	132.2	37.64	124.0	35.81	119.8	34.19	115.7	32.62	108.3	30.66
	0.0	-0.7	139.7	36.44	132.2	34.53	124.0	32.86	119.8	31.43	115.7	30.03	108.3	28.15
	3.0	2.2	139.7	33.31	132.2	31.44	124.0	29.93	119.8	28.66	115.7	27.43	108.3	25.64
	5.0	4.1	139.7	31.23	132.2	29.37	124.0	27.98	119.8	26.84	115.7	25.71	108.3	23.98
	7.0	6	139.7	29.14	132.2	27.30	124.0	26.03	119.8	25.02	115.7	23.99	108.3	22.31
	9.0	7.9	139.7	26.00	132.2	24.35	124.0	23.23	119.8	22.33	115.7	21.39	108.3	19.91
11.0	9.8	139.7	24.28	132.2	22.75	124.0	21.68	119.8	20.84	115.7	19.99	108.3	18.58	
13.0	11.8	139.7	22.75	132.2	21.31	124.0	20.31	119.8	19.52	115.7	18.73	108.3	17.43	
15.0	13.7	139.7	21.50	132.2	20.13	124.0	19.19	119.8	18.44	115.7	17.68	108.3	16.46	
50	-24.8	-25	116.5	48.50	109.9	49.74	103.2	47.14	99.9	44.70	96.6	42.36	90.0	40.22
	-21.8	-22	116.5	49.74	109.9	47.14	103.2	44.70	99.9	42.36	96.6	40.22	90.0	38.13
	-19.8	-20	116.5	47.92	109.9	45.38	103.2	43.06	99.9	40.82	96.6	38.78	90.0	36.75
	-18.8	-19	116.5	47.00	109.9	44.52	103.2	42.24	99.9	40.06	96.6	38.06	90.0	36.05
	-16.7	-17	116.5	45.10	109.9	42.68	103.2	40.52	99.9	38.44	96.6	36.55	90.0	34.61
	-13.7	-15	116.5	42.36	109.9	40.07	103.2	38.08	99.9	36.12	96.6	34.39	90.0	32.53
	-11.8	-13	116.5	40.64	109.9	38.41	103.2	36.54	99.9	34.66	96.6	33.04	90.0	31.22
	-9.8	-11	116.5	38.81	109.9	36.65	103.2	34.90	99.9	33.11	96.6	31.60	90.0	29.84
	-9.5	-10	116.5	38.53	109.9	36.41	103.2	34.65	99.9	32.88	96.6	31.38	90.0	29.63
	-8.5	-9.1	116.5	37.62	109.9	35.53	103.2	33.83	99.9	32.10	96.6	30.66	90.0	28.94
	-7.0	-7.6	116.5	36.26	109.9	34.23	103.2	32.62	99.9	30.95	96.6	29.57	90.0	27.89
	-5.0	-5.6	116.5	34.44	109.9	32.47	103.2	30.98	99.9	29.41	96.6	28.15	90.0	26.51
	-3.0	-3.7	116.5	32.63	109.9	30.73	103.2	29.36	99.9	27.87	96.6	26.71	90.0	25.12
	0.0	-0.7	116.5	29.89	109.9	28.12	103.2	26.90	99.9	25.55	96.6	24.54	90.0	23.05
	3.0	2.2	116.5	27.16	109.9	25.50	103.2	24.46	99.9	23.23	96.6	22.40	90.0	20.98
	5.0	4.1	116.5	25.33	109.9	23.76	103.2	22.82	99.9	21.68	96.6	20.96	90.0	19.60
	7.0	6	116.5	23.51	109.9	22.00	103.2	21.20	99.9	20.13	96.6	19.52	90.0	18.22
	9.0	7.9	116.5	21.22	109.9	19.88	103.2	19.15	99.9	18.19	96.6	17.62	90.0	16.45
11.0	9.8	116.5	19.88	109.9	18.59	103.2	17.91	99.9	17.03	96.6	16.49	90.0	15.38	
13.0	11.8	116.5	18.65	109.9	17.47	103.2	16.82	99.9	15.98	96.6	15.48	90.0	14.44	
15.0	13.7	116.5	17.64	109.9	16.53	103.2	15.92	99.9	15.12	96.6	14.66	90.0	13.68	

Notes:

1. TC: Total Capacity(kW) PI : Power Input(kW)(Comp. + Outdoor fan motor)
2. Capacity tables show the average value of conditions which may occur.
3. ■■■ is shown as reference. When selecting the outdoor units, avoid the outdoor air temperature range shown by ■■■ .

7. Capacity Tables

ARUB680LTE4

Heating Capacity(68HP)

Combination (%)	Outdoor air temp		Indoor air temp. °C DB											
			16		18		20		21		22		24	
	°C DB	°C WB	TC	PI	TC	PI	TC	PI	TC	PI	TC	PI	TC	PI
130	-24.8	-25	133.6	67.6	133.6	67.98	132.8	68.32	132.8	68.84	132.8	69.34	130.2	70.12
	-21.8	-22	162.6	68.38	162.6	68.78	161.4	69.12	161.4	69.64	161.4	70.12	158.4	70.92
	-19.8	-20	171.6	68.90	171.6	69.30	170.4	69.64	170.4	70.16	170.4	70.64	167.2	71.44
	-18.8	-19	175.2	69.14	175.2	69.54	174.2	69.88	174.2	70.40	174.2	70.92	170.8	71.70
	-16.7	-17	183.4	69.70	183.4	70.10	182.2	70.44	182.2	70.96	182.2	71.48	178.8	72.24
	-13.7	-15	194.8	70.50	194.8	70.90	193.8	71.24	193.8	71.76	193.8	72.24	190.0	69.62
	-11.8	-13	201.2	70.98	201.2	71.38	200.0	71.72	200.0	72.24	200.0	72.48	197.0	67.92
	-9.8	-11	207.8	71.52	207.8	71.90	206.6	72.24	206.6	70.38	206.6	68.60	204.4	66.18
	-9.5	-10	209.2	71.60	209.2	72.00	207.8	71.98	207.8	70.08	207.8	68.34	205.6	65.92
	-8.5	-9.1	213.2	71.86	213.2	72.24	211.8	71.02	211.8	69.16	210.8	67.40	209.4	65.04
	-7.0	-7.6	219.2	72.24	219.2	70.86	217.8	69.58	217.8	67.74	217.8	66.02	215.0	63.70
	-5.0	-5.6	227.2	70.48	227.2	69.02	225.8	67.68	225.8	65.86	225.8	64.16	222.4	61.94
	-3.0	-3.7	235.2	68.72	235.2	67.16	233.8	65.78	233.8	63.98	233.8	62.28	229.8	60.20
	0.0	-0.7	247.2	66.04	247.2	64.38	245.8	62.90	245.8	61.16	245.8	59.50	240.4	57.54
	3.0	2.2	259.4	63.38	259.4	61.60	257.6	60.04	257.6	58.34	257.6	56.70	241.8	54.90
	5.0	4.1	267.4	61.62	267.4	59.76	265.8	58.14	265.8	56.48	259.8	54.82	241.8	53.14
	7.0	6	275.4	59.84	275.4	57.92	273.6	56.24	269.2	54.58	259.8	52.96	241.8	51.38
9.0	7.9	276.8	58.38	276.8	56.50	276.0	54.88	269.2	53.26	259.8	51.68	241.8	50.14	
11.0	9.8	276.8	57.46	276.8	55.60	276.0	53.98	269.2	52.42	259.8	50.86	241.8	49.32	
13.0	11.8	276.8	56.44	276.8	54.62	276.0	53.02	269.2	51.50	259.8	49.96	241.8	48.46	
15.0	13.7	276.8	55.36	276.8	53.56	276.0	52.00	269.2	50.50	259.8	48.98	241.8	47.52	
120	-24.8	-25	132.6	67.98	132.6	68.32	131.8	68.84	131.8	69.34	131.8	70.12	129.2	70.68
	-21.8	-22	161.4	68.78	161.4	69.12	160.4	69.64	160.4	70.12	160.4	70.92	157.4	71.48
	-19.8	-20	170.2	69.30	170.2	69.64	169.2	70.16	169.2	70.64	169.2	71.44	165.8	72.00
	-18.8	-19	174.2	69.54	174.2	69.88	173.0	70.40	173.0	70.92	173.0	71.70	169.6	72.24
	-16.7	-17	182.2	70.10	182.2	70.44	181.0	70.96	181.0	71.48	181.0	72.24	177.4	70.54
	-13.7	-15	193.4	70.90	193.4	71.24	192.4	71.76	192.4	72.24	192.4	69.72	188.6	68.12
	-11.8	-13	199.8	71.38	199.8	71.72	198.6	72.24	198.6	70.46	198.6	68.12	195.6	66.58
	-9.8	-11	206.4	71.90	206.4	72.24	205.0	70.30	205.0	68.58	205.0	66.44	203.0	64.98
	-9.5	-10	207.8	72.00	207.8	71.94	206.4	70.00	206.4	68.30	206.4	66.18	204.2	64.72
	-8.5	-9.1	211.6	72.24	211.6	70.90	210.4	69.02	210.4	67.36	210.4	65.34	208.0	63.90
	-7.0	-7.6	217.6	70.72	217.6	69.36	216.2	67.56	216.2	65.96	216.2	64.08	213.4	62.70
	-5.0	-5.6	225.6	68.68	225.6	67.30	224.0	65.58	224.0	64.08	224.0	62.40	221.0	61.08
	-3.0	-3.7	233.6	66.64	233.6	65.22	232.2	63.62	232.2	62.20	232.2	60.72	227.2	59.46
	0.0	-0.7	245.4	63.58	245.4	62.14	244.0	60.68	244.0	59.38	244.0	58.20	227.2	57.02
	3.0	2.2	257.6	60.52	257.6	59.04	255.8	57.76	252.4	56.56	244.4	55.68	227.2	54.60
	5.0	4.1	265.4	58.48	265.4	56.96	261.0	55.80	252.4	54.68	244.4	53.98	227.2	52.98
	7.0	6	273.6	56.44	271.6	54.90	261.0	53.84	252.4	52.80	244.4	52.30	227.2	51.36
9.0	7.9	274.6	54.92	271.6	53.42	261.0	52.38	252.4	51.38	244.4	50.90	227.2	49.98	
11.0	9.8	274.6	53.90	271.6	52.44	261.0	51.40	252.4	50.42	244.4	49.94	227.2	49.06	
13.0	11.8	274.6	52.80	271.6	51.36	261.0	50.34	252.4	49.38	244.4	48.92	227.2	48.04	
15.0	13.7	274.6	51.60	271.6	50.18	261.0	49.20	252.4	48.26	244.4	47.82	227.2	46.94	
110	-24.8	-25	132.0	68.32	132.0	68.84	131.0	69.34	131.0	70.12	131.0	70.68	128.6	70.94
	-21.8	-22	160.4	69.12	160.4	69.64	159.4	70.12	159.4	70.92	159.4	71.48	156.4	71.72
	-19.8	-20	169.4	69.64	169.4	70.16	168.2	70.64	168.2	71.44	168.2	72.00	165.0	72.24
	-18.8	-19	173.2	69.88	173.2	70.40	172.0	70.92	172.0	71.70	172.0	72.24	168.8	71.36
	-16.7	-17	181.2	70.44	181.2	70.96	180.0	71.48	180.0	72.24	180.0	70.40	176.4	69.46
	-13.7	-15	192.4	71.24	192.4	71.76	191.2	72.24	191.2	69.46	191.2	67.76	191.2	66.72
	-11.8	-13	198.6	71.72	198.6	72.24	197.6	70.28	197.6	67.70	197.6	66.10	197.6	65.02
	-9.8	-11	205.4	72.24	205.4	70.02	204.0	68.22	204.0	65.82	204.0	64.32	203.2	63.22
	-9.5	-10	206.4	71.88	206.4	69.70	205.4	67.90	205.4	65.54	205.4	64.06	204.4	62.92
	-8.5	-9.1	210.4	70.70	210.4	68.58	209.2	66.86	209.2	64.62	209.2	63.18	204.4	62.04
	-7.0	-7.6	216.6	68.90	216.6	66.92	215.2	65.30	215.2	63.22	215.2	61.88	204.4	60.68
	-5.0	-5.6	224.4	66.52	224.4	64.70	223.0	63.24	223.0	61.36	219.0	60.10	204.4	58.88
	-3.0	-3.7	232.2	64.12	232.2	62.48	230.8	61.16	226.4	59.48	219.0	58.34	204.4	57.04
	0.0	-0.7	244.2	60.52	244.2	59.16	234.2	58.04	226.4	56.70	219.0	55.70	204.4	54.34
	3.0	2.2	256.0	56.96	249.6	55.82	234.2	54.94	226.4	53.90	219.0	53.06	204.4	51.62
	5.0	4.1	264.0	54.56	249.6	53.60	234.2	52.88	226.4	52.04	219.0	51.30	204.4	49.82
	7.0	6	264.2	52.16	249.6	51.38	234.2	50.78	226.4	50.18	219.0	49.54	204.4	48.00
9.0	7.9	264.2	50.54	249.6	49.76	234.2	49.22	226.4	48.62	219.0	47.98	204.4	46.52	
11.0	9.8	264.2	49.34	249.6	48.60	234.2	48.06	226.4	47.48	219.0	46.86	204.4	45.40	
13.0	11.8	264.2	48.06	249.6	47.36	234.2	46.80	226.4	46.24	219.0	45.64	204.4	44.24	
15.0	13.7	264.2	46.72	249.6	46.00	234.2	45.48	226.4	44.94	219.0	44.36	204.4	43.00	

Notes:

1. TC: Total Capacity(kW) PI: Power Input(kW)(Comp. + Outdoor fan motor)
2. Capacity tables show the average value of conditions which may occur.
3. ■■■ is shown as reference. When selecting the outdoor units, avoid the outdoor air temperature range shown by ■■■.

7. Capacity Tables

Heating Capacity(68HP)

Outdoor Units

Combination (%)	Outdoor air temp		Indoor air temp. °C DB											
			16		18		20		21		22		24	
	°C DB	°C WB	TC	PI	TC	PI	TC	PI	TC	PI	TC	PI	TC	PI
100	-24.8	-25	131.4	74.92	131.4	74.56	130.6	69.36	130.6	73.68	130.6	73.32	128.0	73.14
	-21.8	-22	159.8	74.38	159.8	74.02	158.8	71.54	158.8	73.16	158.8	73.70	155.8	72.60
	-19.8	-20	168.6	74.02	168.6	73.68	167.6	72.90	167.6	72.80	167.6	72.74	164.2	72.24
	-18.8	-19	172.4	73.84	171.4	73.50	171.4	73.16	171.4	72.62	171.4	72.24	168.0	71.14
	-16.7	-17	179.2	73.48	179.2	73.12	179.2	73.70	178.2	72.24	178.2	69.96	174.8	68.78
	-13.7	-15	191.4	72.94	191.4	72.58	190.4	72.24	190.4	68.94	190.4	66.66	186.8	65.42
	-11.8	-13	197.6	72.60	196.6	72.24	196.6	70.02	196.6	66.82	196.6	64.58	186.8	63.30
	-9.8	-11	204.4	72.24	204.4	69.76	203.2	67.70	203.2	64.60	200.6	62.38	186.8	61.08
	-9.5	-10	205.4	71.86	205.4	69.40	204.4	67.34	204.4	64.28	200.6	62.06	186.8	60.74
	-8.5	-9.1	209.4	70.56	209.4	68.16	208.4	66.16	207.4	63.16	200.6	60.98	186.8	59.62
	-7.0	-7.6	219.0	68.62	218.0	66.30	214.2	64.42	207.4	61.50	200.6	59.32	186.8	57.94
	-5.0	-5.6	228.4	66.02	226.2	63.80	214.2	62.08	207.4	59.28	200.6	57.14	186.8	55.72
	-3.0	-3.7	235.0	63.44	227.8	61.32	214.2	59.76	207.4	57.06	200.6	54.94	186.8	53.48
	0.0	-0.7	241.6	59.56	227.8	57.60	214.2	56.24	207.4	53.72	200.6	51.64	186.8	50.12
	3.0	2.2	241.6	55.68	227.8	53.88	214.2	52.74	207.4	50.42	200.6	48.38	186.8	46.78
	5.0	4.1	241.6	53.08	227.8	51.38	214.2	50.40	207.4	48.20	200.6	46.18	186.8	44.54
	7.0	6	241.6	50.50	227.8	48.90	214.2	48.06	207.4	45.98	200.6	44.00	186.8	42.32
	9.0	7.9	241.6	48.66	227.8	47.12	214.2	46.30	207.4	44.30	200.6	42.40	186.8	40.78
11.0	9.8	241.6	47.24	227.8	45.76	214.2	44.94	207.4	43.00	200.6	41.16	186.8	39.58	
13.0	11.8	241.6	45.70	227.8	44.28	214.2	43.52	207.4	41.64	200.6	39.82	186.8	38.32	
15.0	13.7	241.6	44.10	227.8	42.72	214.2	41.98	207.4	40.14	200.6	38.44	186.8	36.96	
90	-24.8	-25	131.0	66.96	131.0	67.76	130.0	68.32	130.0	68.56	130.0	69.08	127.6	69.88
	-21.8	-22	159.2	67.76	159.2	68.56	158.2	69.08	158.2	69.36	158.2	69.88	155.0	66.92
	-19.8	-20	168.0	68.28	168.0	69.08	167.0	69.64	167.0	69.88	167.0	67.88	163.8	64.94
	-18.8	-19	172.4	68.56	171.4	69.32	170.8	69.88	170.8	68.84	170.8	66.84	167.4	63.96
	-16.7	-17	179.2	69.08	179.2	69.88	178.4	67.74	178.4	66.66	178.4	64.72	170.6	61.88
	-13.7	-15	191.4	69.88	191.4	66.70	189.8	64.68	189.8	63.56	183.8	61.70	170.6	58.90
	-11.8	-13	197.6	67.72	196.6	64.68	195.8	62.72	190.0	61.58	183.8	59.78	170.6	57.04
	-9.8	-11	204.4	65.40	204.4	62.56	196.0	60.68	190.0	59.50	183.8	57.78	170.6	55.06
	-9.5	-10	205.4	65.08	205.4	62.24	196.0	60.38	190.0	59.20	183.8	57.46	170.6	54.76
	-8.5	-9.1	209.4	63.92	207.8	61.18	196.0	59.36	190.0	58.14	183.8	56.46	170.6	53.78
	-7.0	-7.6	219.0	62.20	208.2	59.58	196.0	57.82	190.0	56.58	183.8	54.94	170.6	52.28
	-5.0	-5.6	221.4	59.92	208.2	57.46	196.0	55.78	190.0	54.52	183.8	52.90	170.6	50.32
	-3.0	-3.7	221.4	57.62	208.2	55.34	196.0	53.74	190.0	52.42	183.8	50.90	170.6	48.34
	0.0	-0.7	221.4	54.18	208.2	52.16	196.0	50.68	190.0	49.32	183.8	47.86	170.6	45.38
	3.0	2.2	221.4	50.72	208.2	48.98	196.0	47.62	190.0	46.20	183.8	44.84	170.6	42.42
	5.0	4.1	221.4	48.44	208.2	46.84	196.0	45.56	190.0	44.12	183.8	42.80	170.6	40.44
	7.0	6	221.4	46.14	208.2	44.72	196.0	43.52	190.0	42.04	183.8	40.80	170.6	38.46
	9.0	7.9	221.4	43.98	208.2	42.62	196.0	41.48	190.0	40.06	183.8	38.86	170.6	36.66
11.0	9.8	221.4	41.82	208.2	40.52	196.0	39.42	190.0	38.10	183.8	36.96	170.6	34.84	
13.0	11.8	221.4	39.66	208.2	38.42	196.0	37.40	190.0	36.12	183.8	35.06	170.6	33.04	
15.0	13.7	221.4	37.48	208.2	36.32	196.0	35.36	190.0	34.16	183.8	33.12	170.6	31.24	
80	-24.8	-25	130.4	59.06	130.4	59.84	129.6	60.40	129.6	60.66	129.6	61.98	127.0	59.36
	-21.8	-22	157.4	59.84	157.4	60.62	157.4	61.18	157.4	61.98	157.4	59.36	152.6	56.84
	-19.8	-20	166.2	60.38	166.2	61.14	166.2	61.98	166.2	60.14	163.8	57.62	152.6	55.18
	-18.8	-19	170.0	60.62	170.0	61.98	170.0	61.04	169.6	59.20	163.8	56.76	152.6	54.34
	-16.7	-17	175.4	61.98	175.4	60.02	175.4	59.08	170.0	57.28	163.8	54.92	152.6	52.58
	-13.7	-15	175.4	59.10	175.4	57.26	175.4	56.30	170.0	54.52	163.8	52.32	152.6	50.08
	-11.8	-13	179.8	57.28	175.4	55.50	175.4	54.52	170.0	52.78	163.8	50.68	152.6	48.48
	-9.8	-11	187.6	55.36	182.2	53.66	175.4	52.66	170.0	50.94	163.8	48.94	152.6	46.84
	-9.5	-10	188.6	55.08	183.2	53.40	175.4	52.40	170.0	50.66	163.8	48.68	152.6	46.58
	-8.5	-9.1	192.4	54.12	186.6	52.46	175.4	51.46	170.0	49.74	163.8	47.80	152.6	45.74
	-7.0	-7.6	198.2	52.70	186.6	51.08	175.4	50.06	170.0	48.36	163.8	46.48	152.6	44.48
	-5.0	-5.6	198.2	50.78	186.6	49.24	175.4	48.20	170.0	46.52	163.8	44.76	152.6	42.80
	-3.0	-3.7	198.2	48.86	186.6	47.40	175.4	46.34	170.0	44.68	163.8	43.02	152.6	41.14
	0.0	-0.7	198.2	46.00	186.6	44.62	175.4	43.56	170.0	41.94	163.8	40.42	152.6	38.64
	3.0	2.2	198.2	43.14	186.6	41.84	175.4	40.76	170.0	39.16	163.8	37.80	152.6	36.12
	5.0	4.1	198.2	41.22	186.6	40.00	175.4	38.90	170.0	37.34	163.8	36.06	152.6	34.46
	7.0	6	198.2	39.30	186.6	38.16	175.4	37.04	170.0	35.50	163.8	34.34	152.6	32.78
	9.0	7.9	198.2	36.90	186.6	35.84	175.4	34.76	170.0	33.34	163.8	32.24	152.6	30.78
11.0	9.8	198.2	34.24	186.6	33.26	175.4	32.28	170.0	30.94	163.8	29.92	152.6	28.56	
13.0	11.8	198.2	31.98	186.6	31.04	175.4	30.12	170.0	28.86	163.8	27.92	152.6	26.66	
15.0	13.7	198.2	30.10	186.6	29.22	175.4	28.38	170.0	27.18	163.8	26.30	152.6	25.10	

Notes:

1. TC: Total Capacity(kW) PI : Power Input(kW)(Comp. + Outdoor fan motor)
2. Capacity tables show the average value of conditions which may occur.
3. ■ is shown as reference. When selecting the outdoor units, avoid the outdoor air temperature range shown by ■.

7. Capacity Tables

Heating Capacity(68HP)

Combination (%)	Outdoor air temp		Indoor air temp. °C DB											
			16		18		20		21		22		24	
	°C DB	°C WB	TC	PI	TC	PI	TC	PI	TC	PI	TC	PI	TC	PI
70	-24.8	-25	130.4	58.94	130.4	59.20	129.6	59.74	129.6	60.52	129.6	57.68	127.0	55.00
	-21.8	-22	150.2	59.74	150.2	60.00	149.2	60.52	144.2	57.68	139.8	55.00	130.6	52.42
	-19.8	-20	163.6	60.26	158.8	60.52	149.2	58.52	144.2	55.78	139.8	53.22	130.6	50.70
	-18.8	-19	168.0	60.52	158.8	59.48	149.2	57.52	144.2	54.82	139.8	52.32	130.6	49.84
	-16.7	-17	168.0	58.36	158.8	57.32	149.2	55.42	144.2	52.84	139.8	50.48	130.6	48.02
	-13.7	-15	168.0	55.32	158.8	54.22	149.2	52.42	144.2	49.96	139.8	47.80	130.6	45.44
	-11.8	-13	168.0	53.38	158.8	52.26	149.2	50.52	144.2	48.16	139.8	46.12	130.6	43.82
	-9.8	-11	168.0	51.36	158.8	50.20	149.2	48.54	144.2	46.28	139.8	44.34	130.6	42.10
	-9.5	-10	168.0	51.04	158.8	49.88	149.2	48.22	144.2	45.98	139.8	44.08	130.6	41.84
	-8.5	-9.1	168.0	50.02	158.8	48.84	149.2	47.22	144.2	45.02	139.8	43.18	130.6	40.98
	-7.0	-7.6	168.0	48.48	158.8	47.32	149.2	45.74	144.2	43.60	139.8	41.84	130.6	39.68
	-5.0	-5.6	168.0	46.46	158.8	45.24	149.2	43.74	144.2	41.72	139.8	40.08	130.6	37.96
	-3.0	-3.7	168.0	44.42	158.8	43.18	149.2	41.74	144.2	39.82	139.8	38.30	130.6	36.26
	0.0	-0.7	168.0	41.36	158.8	40.08	149.2	38.76	144.2	36.98	139.8	35.62	130.6	33.66
	3.0	2.2	168.0	38.30	158.8	36.98	149.2	35.76	144.2	34.10	139.8	32.96	130.6	31.08
	5.0	4.1	168.0	36.28	158.8	34.92	149.2	33.74	144.2	32.22	139.8	31.18	130.6	29.36
	7.0	6	168.0	34.22	158.8	32.86	149.2	31.74	144.2	30.32	139.8	29.40	130.6	27.64
	9.0	7.9	168.0	30.90	158.8	29.66	149.2	28.66	144.2	27.38	139.8	26.56	130.6	24.96
11.0	9.8	168.0	28.76	158.8	27.62	149.2	26.70	144.2	25.48	139.8	24.72	130.6	23.24	
13.0	11.8	168.0	26.92	158.8	25.84	149.2	24.98	144.2	23.84	139.8	23.12	130.6	21.74	
15.0	13.7	168.0	25.38	158.8	24.36	149.2	23.54	144.2	22.48	139.8	21.80	130.6	20.50	
60	-24.8	-25	128.8	58.28	128.8	58.82	127.8	59.60	123.8	56.54	119.4	53.66	111.8	50.96
	-21.8	-22	138.0	59.06	136.4	59.60	127.8	56.54	123.8	53.66	119.4	50.96	111.8	48.34
	-19.8	-20	144.2	59.60	136.4	57.44	127.8	54.48	123.8	51.74	119.4	49.16	111.8	46.60
	-18.8	-19	144.2	58.50	136.4	56.36	127.8	53.46	123.8	50.78	119.4	48.24	111.8	45.72
	-16.7	-17	144.2	56.22	136.4	54.08	127.8	51.32	123.8	48.78	119.4	46.34	111.8	43.90
	-13.7	-15	144.2	52.94	136.4	50.84	127.8	48.26	123.8	45.90	119.4	43.64	111.8	41.26
	-11.8	-13	144.2	50.88	136.4	48.78	127.8	46.32	123.8	44.06	119.4	41.94	111.8	39.62
	-9.8	-11	144.2	48.70	136.4	46.62	127.8	44.26	123.8	42.14	119.4	40.14	111.8	37.88
	-9.5	-10	144.2	48.36	136.4	46.28	127.8	43.98	123.8	41.86	119.4	39.86	111.8	37.62
	-8.5	-9.1	144.2	47.26	136.4	45.20	127.8	42.94	123.8	40.92	119.4	38.96	111.8	36.74
	-7.0	-7.6	144.2	45.62	136.4	43.60	127.8	41.42	123.8	39.48	119.4	37.62	111.8	35.44
	-5.0	-5.6	144.2	43.46	136.4	41.42	127.8	39.36	123.8	37.56	119.4	35.82	111.8	33.70
	-3.0	-3.7	144.2	41.28	136.4	39.26	127.8	37.34	123.8	35.64	119.4	34.02	111.8	31.96
	0.0	-0.7	144.2	38.00	136.4	36.00	127.8	34.26	123.8	32.78	119.4	31.30	111.8	29.34
	3.0	2.2	144.2	34.72	136.4	32.76	127.8	31.18	123.8	29.88	119.4	28.60	111.8	26.72
	5.0	4.1	144.2	32.54	136.4	30.60	127.8	29.16	123.8	27.96	119.4	26.80	111.8	24.98
	7.0	6	144.2	30.36	136.4	28.44	127.8	27.12	123.8	26.04	119.4	25.00	111.8	23.24
	9.0	7.9	144.2	27.08	136.4	25.36	127.8	24.20	123.8	23.26	119.4	22.30	111.8	20.74
11.0	9.8	144.2	25.30	136.4	23.70	127.8	22.60	123.8	21.70	119.4	20.82	111.8	19.36	
13.0	11.8	144.2	23.70	136.4	22.18	127.8	21.14	123.8	20.34	119.4	19.52	111.8	18.14	
15.0	13.7	144.2	22.40	136.4	20.98	127.8	20.00	123.8	19.22	119.4	18.44	111.8	17.16	
50	-24.8	-25	120.4	50.66	113.6	51.44	106.6	48.76	103.2	46.24	99.6	43.86	92.8	41.64
	-21.8	-22	120.4	51.44	113.6	48.76	106.6	46.24	103.2	43.86	99.6	41.64	92.8	39.50
	-19.8	-20	120.4	49.56	113.6	46.96	106.6	44.56	103.2	42.26	99.6	40.16	92.8	38.08
	-18.8	-19	120.4	48.62	113.6	46.06	106.6	43.72	103.2	41.48	99.6	39.42	92.8	37.36
	-16.7	-17	120.4	46.68	113.6	44.18	106.6	41.96	103.2	39.80	99.6	37.86	92.8	35.86
	-13.7	-15	120.4	43.86	113.6	41.48	106.6	39.44	103.2	37.44	99.6	35.66	92.8	33.72
	-11.8	-13	120.4	42.08	113.6	39.80	106.6	37.86	103.2	35.92	99.6	34.24	92.8	32.36
	-9.8	-11	120.4	40.22	113.6	37.98	106.6	36.18	103.2	34.32	99.6	32.76	92.8	30.94
	-9.5	-10	120.4	39.92	113.6	37.72	106.6	35.92	103.2	34.08	99.6	32.54	92.8	30.74
	-8.5	-9.1	120.4	39.00	113.6	36.82	106.6	35.08	103.2	33.30	99.6	31.80	92.8	30.02
	-7.0	-7.6	120.4	37.60	113.6	35.50	106.6	33.82	103.2	32.10	99.6	30.68	92.8	28.96
	-5.0	-5.6	120.4	35.72	113.6	33.68	106.6	32.14	103.2	30.52	99.6	29.22	92.8	27.52
	-3.0	-3.7	120.4	33.86	113.6	31.90	106.6	30.48	103.2	28.94	99.6	27.74	92.8	26.08
	0.0	-0.7	120.4	31.04	113.6	29.20	106.6	27.96	103.2	26.54	99.6	25.50	92.8	23.96
	3.0	2.2	120.4	28.24	113.6	26.52	106.6	25.44	103.2	24.16	99.6	23.30	92.8	21.82
	5.0	4.1	120.4	26.36	113.6	24.74	106.6	23.76	103.2	22.56	99.6	21.82	92.8	20.40
	7.0	6	120.4	24.48	113.6	22.92	106.6	22.08	103.2	20.98	99.6	20.34	92.8	18.98
	9.0	7.9	120.4	22.12	113.6	20.72	106.6	19.94	103.2	18.94	99.6	18.36	92.8	17.12
11.0	9.8	120.4	20.70	113.6	19.36	106.6	18.66	103.2	17.74	99.6	17.18	92.8	16.02	
13.0	11.8	120.4	19.42	113.6	18.20	106.6	17.52	103.2	16.64	99.6	16.12	92.8	15.04	
15.0	13.7	120.4	18.38	113.6	17.22	106.6	16.58	103.2	15.76	99.6	15.28	92.8	14.24	

Notes:

1. TC: Total Capacity(kW) PI : Power Input(kW)(Comp. + Outdoor fan motor)
2. Capacity tables show the average value of conditions which may occur.
3. ■■■ is shown as reference. When selecting the outdoor units, avoid the outdoor air temperature range shown by ■■■ .

7. Capacity Tables

ARUB700LTE4

Heating Capacity(70HP)

Combination (%)	Outdoor air temp		Indoor air temp. °C DB											
			16		18		20		21		22		24	
	°C DB	°C WB	TC	PI	TC	PI	TC	PI	TC	PI	TC	PI	TC	PI
130	-24.8	-25	134.8	68.7	134.8	69.22	133.9	69.67	133.9	70.36	133.9	71.01	131.9	72.04
	-21.8	-22	164.2	69.74	164.2	70.27	163.1	70.71	163.1	71.40	163.1	72.04	160.7	73.08
	-19.8	-20	173.5	70.43	173.5	70.95	172.3	71.40	172.3	72.08	172.3	72.72	169.8	73.76
	-18.8	-19	177.3	70.76	177.3	71.28	176.3	71.73	176.3	72.41	176.3	73.08	173.6	74.11
	-16.7	-17	185.7	71.49	185.7	72.01	184.6	72.46	184.6	73.14	184.6	73.81	181.9	74.82
	-13.7	-15	197.6	72.53	197.6	73.05	196.5	73.50	196.5	74.19	196.5	74.82	193.5	72.16
	-11.8	-13	204.1	73.17	204.1	73.69	202.9	74.14	202.9	74.82	202.9	75.03	200.5	70.43
	-9.8	-11	210.9	73.87	210.9	74.38	209.7	74.82	209.7	72.94	209.7	71.13	207.8	68.66
	-9.5	-10	212.6	73.97	212.6	74.50	211.2	74.56	211.2	72.64	210.8	70.87	208.9	68.40
	-8.5	-9.1	217.6	74.32	217.6	74.82	216.2	73.59	216.2	71.70	214.0	69.91	212.7	67.50
	-7.0	-7.6	225.3	74.82	225.3	73.44	223.8	72.14	223.8	70.27	223.8	68.51	219.5	66.14
	-5.0	-5.6	235.3	73.07	235.3	71.59	233.9	70.22	233.9	68.36	233.9	66.62	227.2	64.35
	-3.0	-3.7	245.5	71.30	245.5	69.72	244.0	68.30	244.0	66.47	244.0	64.72	234.9	62.58
	0.0	-0.7	260.6	68.64	260.6	66.93	259.1	65.40	258.0	63.61	255.8	61.90	246.2	59.88
	3.0	2.2	270.6	65.98	270.6	64.14	269.0	62.52	267.4	60.76	265.2	59.05	248.4	57.19
	5.0	4.1	277.0	64.22	277.0	62.29	275.5	60.60	273.9	58.87	266.9	57.15	248.4	55.40
	7.0	6	283.3	62.44	283.3	60.44	281.7	58.68	276.6	56.96	266.9	55.26	248.4	53.61
	9.0	7.9	284.4	60.99	284.4	59.03	283.6	57.33	276.6	55.64	266.9	53.99	248.4	52.38
	11.0	9.8	284.4	60.10	284.4	58.16	283.6	56.47	276.6	54.83	266.9	53.20	248.4	51.59
	13.0	11.8	284.4	59.12	284.4	57.21	283.6	55.54	276.6	53.94	266.9	52.33	248.4	50.76
15.0	13.7	284.4	58.07	284.4	56.19	283.6	54.54	276.6	52.97	266.9	51.38	248.4	49.85	
120	-24.8	-25	133.8	69.22	133.8	69.67	132.9	70.36	132.9	71.01	132.9	72.04	130.9	72.77
	-21.8	-22	163.1	70.27	163.1	70.71	162.1	71.40	162.1	72.04	162.1	73.08	159.7	73.81
	-19.8	-20	172.2	70.95	172.2	71.40	171.1	72.08	171.1	72.72	171.1	73.76	168.4	74.50
	-18.8	-19	176.2	71.28	176.2	71.73	175.1	72.41	175.1	73.08	175.1	74.11	172.4	74.82
	-16.7	-17	184.5	72.01	184.5	72.46	183.3	73.14	183.3	73.81	183.3	74.82	180.5	73.09
	-13.7	-15	196.2	73.05	196.2	73.50	195.1	74.19	195.1	74.82	195.1	72.26	192.1	70.63
	-11.8	-13	202.7	73.69	202.7	74.14	201.5	74.82	201.5	73.02	201.5	70.64	199.1	69.07
	-9.8	-11	209.5	74.38	209.5	74.82	208.1	72.86	208.1	71.11	208.1	68.93	206.4	67.44
	-9.5	-10	211.1	74.50	211.1	74.52	209.7	72.56	209.7	70.83	209.7	68.67	207.8	67.18
	-8.5	-9.1	216.0	74.82	216.0	73.47	214.8	71.56	214.8	69.87	214.3	67.81	212.2	66.34
	-7.0	-7.6	223.6	73.29	223.6	71.91	222.2	70.08	222.2	68.45	220.3	66.54	217.8	65.12
	-5.0	-5.6	233.7	71.24	233.7	69.82	232.1	68.08	232.1	66.54	232.1	64.83	225.7	63.48
	-3.0	-3.7	243.8	69.17	243.8	67.73	242.3	66.09	242.3	64.63	241.5	63.12	232.8	61.83
	0.0	-0.7	258.8	66.09	258.3	64.61	254.7	63.11	252.7	61.77	250.9	60.56	233.4	59.35
	3.0	2.2	268.7	63.01	268.0	61.47	264.1	60.15	259.3	58.91	251.2	58.00	233.4	56.89
	5.0	4.1	274.9	60.95	274.2	59.38	268.2	58.16	259.3	57.01	251.2	56.28	233.4	55.24
	7.0	6	281.4	58.89	279.1	57.29	268.2	56.18	259.3	55.09	251.2	54.58	233.4	53.60
	9.0	7.9	282.2	57.37	279.1	55.81	268.2	54.72	259.3	53.67	251.2	53.17	233.4	52.22
	11.0	9.8	282.2	56.37	279.1	54.84	268.2	53.76	259.3	52.73	251.2	52.23	233.4	51.31
	13.0	11.8	282.2	55.29	279.1	53.79	268.2	52.72	259.3	51.72	251.2	51.23	233.4	50.31
15.0	13.7	282.2	54.11	279.1	52.63	268.2	51.60	259.3	50.61	251.2	50.14	233.4	49.23	
110	-24.8	-25	133.1	69.67	133.1	70.36	132.1	71.01	132.1	72.04	132.1	72.77	130.2	73.12
	-21.8	-22	162.1	70.71	162.1	71.40	161.1	72.04	161.1	73.08	161.1	73.81	158.7	74.14
	-19.8	-20	171.3	71.40	171.3	72.08	170.1	72.72	170.1	73.76	170.1	74.50	167.5	74.82
	-18.8	-19	175.2	71.73	175.2	72.41	174.1	73.08	174.1	74.11	174.1	74.82	171.5	73.92
	-16.7	-17	183.5	72.46	183.5	73.14	182.3	73.81	182.3	74.82	182.3	72.95	179.5	71.98
	-13.7	-15	195.1	73.50	195.1	74.19	193.9	74.82	193.9	71.99	193.9	70.26	193.9	69.19
	-11.8	-13	201.5	74.14	201.5	74.82	200.4	72.83	200.4	70.20	200.4	68.56	200.4	67.45
	-9.8	-11	208.4	74.82	208.4	72.57	207.0	70.73	207.0	68.29	207.0	66.76	206.2	65.61
	-9.5	-10	209.8	74.46	209.8	72.23	208.7	70.40	208.7	68.00	208.7	66.49	207.9	65.32
	-8.5	-9.1	214.8	73.26	214.8	71.10	213.5	69.35	213.5	67.06	213.3	65.59	209.5	64.41
	-7.0	-7.6	222.5	71.43	222.5	69.41	221.1	67.76	221.1	65.64	219.6	64.26	210.0	63.02
	-5.0	-5.6	232.4	69.01	232.4	67.16	231.0	65.67	230.0	63.74	224.1	62.46	210.0	61.18
	-3.0	-3.7	242.4	66.58	242.4	64.90	238.0	63.55	232.7	61.84	225.0	60.66	210.0	59.32
	0.0	-0.7	255.5	62.92	252.2	61.52	240.7	60.38	232.7	59.00	225.0	57.97	210.0	56.55
	3.0	2.2	264.9	59.30	256.5	58.13	240.7	57.22	232.7	56.15	225.0	55.28	210.0	53.78
	5.0	4.1	271.3	56.87	256.5	55.87	240.7	55.12	232.7	54.25	225.0	53.48	210.0	51.95
	7.0	6	271.4	54.42	256.5	53.61	240.7	52.99	232.7	52.36	225.0	51.70	210.0	50.09
	9.0	7.9	271.4	52.79	256.5	51.98	240.7	51.41	232.7	50.79	225.0	50.12	210.0	48.59
	11.0	9.8	271.4	51.60	256.5	50.83	240.7	50.26	232.7	49.65	225.0	49.01	210.0	47.48
	13.0	11.8	271.4	50.33	256.5	49.59	240.7	49.01	232.7	48.42	225.0	47.79	210.0	46.33
15.0	13.7	271.4	48.99	256.5	48.24	240.7	47.69	232.7	47.12	225.0	46.51	210.0	45.08	

Notes:

1. TC: Total Capacity(kW) PI : Power Input(kW)(Comp. + Outdoor fan motor)
2. Capacity tables show the average value of conditions which may occur.
3. ■■■ is shown as reference. When selecting the outdoor units, avoid the outdoor air temperature range shown by ■■■ .

7. Capacity Tables

Heating Capacity(70HP)

Combination (%)	Outdoor air temp		Indoor air temp. °C DB											
			16		18		20		21		22		24	
	°C DB	°C WB	TC	PI	TC	PI	TC	PI	TC	PI	TC	PI	TC	PI
100	-24.8	-25	132.5	76.42	132.5	76.20	131.7	71.37	131.7	75.68	131.7	75.47	129.6	75.36
	-21.8	-22	161.5	76.10	161.5	75.88	160.5	73.62	160.5	75.38	160.5	76.09	158.1	75.04
	-19.8	-20	170.5	75.88	170.5	75.69	169.5	75.03	169.5	75.16	169.5	75.26	166.8	74.82
	-18.8	-19	174.5	75.77	173.4	75.58	173.4	75.38	173.4	75.05	173.4	74.82	170.7	73.69
	-16.7	-17	181.5	75.57	181.5	75.35	181.5	76.09	180.5	74.82	180.5	72.48	177.8	71.28
	-13.7	-15	194.1	75.24	194.1	75.03	193.1	74.82	193.1	71.45	193.1	69.11	190.2	67.84
	-11.8	-13	200.5	75.04	199.4	74.82	199.4	72.56	199.4	69.28	199.4	66.98	191.6	65.66
	-9.8	-11	207.4	74.82	207.4	72.29	206.2	70.19	206.2	67.01	204.1	64.73	191.9	63.38
	-9.5	-10	208.7	74.43	208.7	71.92	207.7	69.82	207.7	66.68	204.7	64.40	191.9	63.04
	-8.5	-9.1	213.8	73.12	213.8	70.66	212.7	68.62	213.1	65.54	206.1	63.29	191.9	61.89
	-7.0	-7.6	225.0	71.14	224.0	68.76	220.1	66.85	213.1	63.84	206.1	61.60	191.9	60.17
	-5.0	-5.6	234.7	68.50	232.4	66.22	220.1	64.46	213.1	61.57	206.1	59.36	191.9	57.89
	-3.0	-3.7	241.5	65.87	234.1	63.69	220.1	62.08	213.1	59.30	206.1	57.11	191.9	55.60
	0.0	-0.7	248.3	61.91	234.1	59.90	220.1	58.49	213.1	55.90	206.1	53.74	191.9	52.15
	3.0	2.2	248.3	57.97	234.1	56.10	220.1	54.92	213.1	52.52	206.1	50.40	191.9	48.73
	5.0	4.1	248.3	55.32	234.1	53.56	220.1	52.54	213.1	50.25	206.1	48.15	191.9	46.44
	7.0	6	248.3	52.69	234.1	51.03	220.1	50.15	213.1	47.98	206.1	45.91	191.9	44.16
	9.0	7.9	248.3	50.80	234.1	49.19	220.1	48.34	213.1	46.25	206.1	44.26	191.9	42.56
11.0	9.8	248.3	49.33	234.1	47.78	220.1	46.94	213.1	44.91	206.1	42.98	191.9	41.33	
13.0	11.8	248.3	47.76	234.1	46.27	220.1	45.47	213.1	43.50	206.1	41.61	191.9	40.03	
15.0	13.7	248.3	46.11	234.1	44.66	220.1	43.89	213.1	41.97	206.1	40.18	191.9	38.63	
90	-24.8	-25	132.1	68.31	132.1	69.35	131.1	70.09	131.1	70.41	131.1	71.10	129.2	72.14
	-21.8	-22	160.8	69.35	160.8	70.40	159.8	71.10	159.8	71.46	159.8	72.14	157.3	69.12
	-19.8	-20	169.9	70.04	169.9	71.08	168.8	71.81	168.8	72.14	168.8	70.10	166.3	67.11
	-18.8	-19	174.5	70.40	173.4	71.41	172.8	72.14	172.8	71.09	172.8	69.05	170.1	66.11
	-16.7	-17	181.5	71.10	181.5	72.14	180.7	69.97	180.7	68.87	180.7	66.90	174.4	63.99
	-13.7	-15	194.1	72.14	194.1	68.92	192.4	66.87	192.4	65.72	187.7	63.83	175.4	60.96
	-11.8	-13	200.5	69.95	199.4	66.88	198.7	64.88	194.1	63.71	188.9	61.87	175.4	59.06
	-9.8	-11	207.4	67.61	207.4	64.73	200.3	62.82	195.2	61.59	188.9	59.83	175.4	57.04
	-9.5	-10	208.7	67.29	208.7	64.40	200.8	62.51	195.2	61.29	188.9	59.51	175.4	56.74
	-8.5	-9.1	213.8	66.12	212.2	63.33	201.3	61.47	195.2	60.22	188.9	58.49	175.4	55.74
	-7.0	-7.6	225.0	64.38	213.9	61.72	201.3	59.91	195.2	58.64	188.9	56.95	175.4	54.22
	-5.0	-5.6	227.4	62.07	213.9	59.57	201.3	57.85	195.2	56.54	188.9	54.88	175.4	52.21
	-3.0	-3.7	227.4	59.75	213.9	57.42	201.3	55.78	195.2	54.41	188.9	52.84	175.4	50.20
	0.0	-0.7	227.4	56.27	213.9	54.20	201.3	52.67	195.2	51.26	188.9	49.75	175.4	47.18
	3.0	2.2	227.4	52.78	213.9	50.98	201.3	49.57	195.2	48.09	188.9	46.68	175.4	44.17
	5.0	4.1	227.4	50.47	213.9	48.82	201.3	47.48	195.2	45.98	188.9	44.61	175.4	42.15
	7.0	6	227.4	48.15	213.9	46.67	201.3	45.41	195.2	43.86	188.9	42.57	175.4	40.13
	9.0	7.9	227.4	45.96	213.9	44.54	201.3	43.35	195.2	41.86	188.9	40.61	175.4	38.31
11.0	9.8	227.4	43.77	213.9	42.41	201.3	41.26	195.2	39.87	188.9	38.68	175.4	36.47	
13.0	11.8	227.4	41.57	213.9	40.28	201.3	39.20	195.2	37.87	188.9	36.75	175.4	34.64	
15.0	13.7	227.4	39.36	213.9	38.15	201.3	37.14	195.2	35.87	188.9	34.79	175.4	32.81	
80	-24.8	-25	131.5	60.15	131.5	61.18	130.7	61.91	130.7	62.26	130.7	63.98	128.6	61.32
	-21.8	-22	159.1	61.18	159.1	62.21	159.1	62.94	159.1	63.98	159.1	61.32	155.1	58.75
	-19.8	-20	168.1	61.88	168.1	62.89	168.1	63.98	168.1	62.11	166.0	59.55	156.8	57.05
	-18.8	-19	172.0	62.21	172.0	63.98	172.0	63.03	171.6	61.16	166.9	58.66	156.8	56.19
	-16.7	-17	178.2	63.98	178.2	62.00	178.2	61.04	173.9	59.20	168.4	56.79	156.8	54.40
	-13.7	-15	180.2	61.07	180.2	59.20	180.2	58.21	174.7	56.40	168.4	54.15	156.8	51.85
	-11.8	-13	184.1	59.22	180.2	57.41	180.2	56.41	174.7	54.62	168.4	52.47	156.8	50.22
	-9.8	-11	192.3	57.28	187.0	55.54	180.2	54.52	174.7	52.75	168.4	50.70	156.8	48.54
	-9.5	-10	193.5	57.00	188.1	55.28	180.2	54.25	174.7	52.47	168.4	50.44	156.8	48.28
	-8.5	-9.1	197.5	56.02	191.8	54.33	180.2	53.30	174.7	51.53	168.4	49.54	156.8	47.42
	-7.0	-7.6	203.6	54.58	191.8	52.93	180.2	51.88	174.7	50.13	168.4	48.20	156.8	46.14
	-5.0	-5.6	203.6	52.64	191.8	51.06	180.2	49.99	174.7	48.26	168.4	46.45	156.8	44.43
	-3.0	-3.7	203.6	50.69	191.8	49.19	180.2	48.09	174.7	46.38	168.4	44.68	156.8	42.74
	0.0	-0.7	203.6	47.80	191.8	46.37	180.2	45.27	174.7	43.59	168.4	42.02	156.8	40.18
	3.0	2.2	203.6	44.90	191.8	43.56	180.2	42.42	174.7	40.77	168.4	39.36	156.8	37.61
	5.0	4.1	203.6	42.95	191.8	41.69	180.2	40.54	174.7	38.92	168.4	37.58	156.8	35.92
	7.0	6	203.6	41.01	191.8	39.82	180.2	38.65	174.7	37.05	168.4	35.83	156.8	34.21
	9.0	7.9	203.6	38.51	191.8	37.40	180.2	36.28	174.7	34.79	168.4	33.64	156.8	32.12
11.0	9.8	203.6	35.73	191.8	34.71	180.2	33.68	174.7	32.28	168.4	31.22	156.8	29.81	
13.0	11.8	203.6	33.37	191.8	32.39	180.2	31.43	174.7	30.12	168.4	29.14	156.8	27.82	
15.0	13.7	203.6	31.41	191.8	30.49	180.2	29.61	174.7	28.36	168.4	27.44	156.8	26.19	

Notes:

1. TC: Total Capacity(kW) PI : Power Input(kW)(Comp. + Outdoor fan motor)
2. Capacity tables show the average value of conditions which may occur.
3. ■■■■ is shown as reference. When selecting the outdoor units, avoid the outdoor air temperature range shown by ■■■■.

7. Capacity Tables

Heating Capacity(70HP)

Outdoor Units

Combination (%)	Outdoor air temp		Indoor air temp. °C DB											
			16		18		20		21		22		24	
	°C DB	°C WB	TC	PI	TC	PI	TC	PI	TC	PI	TC	PI	TC	PI
70	-24.8	-25	131.5	60.23	131.5	60.57	130.7	61.27	130.7	62.30	130.7	59.41	128.6	56.69
	-21.8	-22	153.2	61.27	153.4	61.62	152.4	62.30	148.1	59.41	143.6	56.69	134.2	54.07
	-19.8	-20	165.7	61.95	162.0	62.30	153.3	60.27	148.1	57.48	143.6	54.89	134.2	52.32
	-18.8	-19	170.2	62.30	162.9	61.25	153.3	59.26	148.1	56.51	143.6	53.97	134.2	51.44
	-16.7	-17	172.3	60.12	163.1	59.06	153.3	57.13	148.1	54.50	143.6	52.10	134.2	49.59
	-13.7	-15	172.6	57.04	163.1	55.92	153.3	54.09	148.1	51.58	143.6	49.38	134.2	46.96
	-11.8	-13	172.6	55.08	163.1	53.93	153.3	52.16	148.1	49.75	143.6	47.67	134.2	45.31
	-9.8	-11	172.6	53.03	163.1	51.84	153.3	50.15	148.1	47.84	143.6	45.86	134.2	43.56
	-9.5	-10	172.6	52.71	163.1	51.52	153.3	49.83	148.1	47.54	143.6	45.59	134.2	43.30
	-8.5	-9.1	172.6	51.69	163.1	50.47	153.3	48.82	148.1	46.57	143.6	44.68	134.2	42.42
	-7.0	-7.6	172.6	50.13	163.1	48.93	153.3	47.31	148.1	45.12	143.6	43.32	134.2	41.10
	-5.0	-5.6	172.6	48.08	163.1	46.83	153.3	45.28	148.1	43.21	143.6	41.53	134.2	39.35
	-3.0	-3.7	172.6	46.02	163.1	44.74	153.3	43.26	148.1	41.28	143.6	39.72	134.2	37.61
	0.0	-0.7	172.6	42.92	163.1	41.60	153.3	40.23	148.1	38.40	143.6	37.00	134.2	34.97
	3.0	2.2	172.6	39.84	163.1	38.46	153.3	37.19	148.1	35.48	143.6	34.30	134.2	32.35
	5.0	4.1	172.6	37.79	163.1	36.37	153.3	35.15	148.1	33.57	143.6	32.49	134.2	30.60
	7.0	6	172.6	35.71	163.1	34.28	153.3	33.13	148.1	31.64	143.6	30.68	134.2	28.84
	9.0	7.9	172.6	32.25	163.1	30.96	153.3	29.91	148.1	28.57	143.6	27.71	134.2	26.05
11.0	9.8	172.6	30.02	163.1	28.82	153.3	27.86	148.1	26.59	143.6	25.79	134.2	24.25	
13.0	11.8	172.6	28.09	163.1	26.97	153.3	26.06	148.1	24.88	143.6	24.13	134.2	22.68	
15.0	13.7	172.6	26.49	163.1	25.42	153.3	24.57	148.1	23.46	143.6	22.75	134.2	21.39	
60	-24.8	-25	130.1	59.40	130.1	60.11	129.1	61.13	125.9	58.04	122.4	55.12	114.9	52.39
	-21.8	-22	140.9	60.43	140.2	61.13	131.4	58.04	127.2	55.12	122.7	52.39	114.9	49.73
	-19.8	-20	148.1	61.13	140.2	58.95	131.4	55.96	127.2	53.18	122.7	50.56	114.9	47.96
	-18.8	-19	148.1	60.03	140.2	57.86	131.4	54.93	127.2	52.21	122.7	49.63	114.9	47.07
	-16.7	-17	148.1	57.73	140.2	55.56	131.4	52.76	127.2	50.18	122.7	47.71	114.9	45.22
	-13.7	-15	148.1	54.42	140.2	52.29	131.4	49.67	127.2	47.27	122.7	44.98	114.9	42.55
	-11.8	-13	148.1	52.35	140.2	50.21	131.4	47.71	127.2	45.41	122.7	43.25	114.9	40.88
	-9.8	-11	148.1	50.15	140.2	48.02	131.4	45.63	127.2	43.47	122.7	41.43	114.9	39.12
	-9.5	-10	148.1	49.81	140.2	47.69	131.4	45.34	127.2	43.18	122.7	41.14	114.9	38.85
	-8.5	-9.1	148.1	48.70	140.2	46.60	131.4	44.30	127.2	42.23	122.7	40.23	114.9	37.96
	-7.0	-7.6	148.1	47.06	140.2	44.98	131.4	42.75	127.2	40.77	122.7	38.87	114.9	36.64
	-5.0	-5.6	148.1	44.87	140.2	42.78	131.4	40.67	127.2	38.83	122.7	37.05	114.9	34.86
	-3.0	-3.7	148.1	42.68	140.2	40.60	131.4	38.63	127.2	36.89	122.7	35.22	114.9	33.10
	0.0	-0.7	148.1	39.38	140.2	37.31	131.4	35.52	127.2	33.99	122.7	32.47	114.9	30.45
	3.0	2.2	148.1	36.07	140.2	34.04	131.4	32.41	127.2	31.06	122.7	29.73	114.9	27.78
	5.0	4.1	148.1	33.87	140.2	31.85	131.4	30.36	127.2	29.12	122.7	27.91	114.9	26.02
	7.0	6	148.1	31.68	140.2	29.68	131.4	28.29	127.2	27.18	122.7	26.09	114.9	24.25
	9.0	7.9	148.1	28.26	140.2	26.47	131.4	25.25	127.2	24.27	122.7	23.27	114.9	21.65
11.0	9.8	148.1	26.40	140.2	24.73	131.4	23.58	127.2	22.64	122.7	21.73	114.9	20.20	
13.0	11.8	148.1	24.73	140.2	23.15	131.4	22.07	127.2	21.22	122.7	20.37	114.9	18.93	
15.0	13.7	148.1	23.38	140.2	21.89	131.4	20.87	127.2	20.06	122.7	19.24	114.9	17.90	
50	-24.8	-25	123.7	52.08	116.7	53.10	109.6	50.36	106.1	47.78	102.4	45.34	95.4	43.06
	-21.8	-22	123.7	53.10	116.7	50.36	109.6	47.78	106.1	45.34	102.4	43.06	95.4	40.87
	-19.8	-20	123.7	51.18	116.7	48.52	109.6	46.06	106.1	43.70	102.4	41.54	95.4	39.41
	-18.8	-19	123.7	50.22	116.7	47.60	109.6	45.20	106.1	42.90	102.4	40.78	95.4	38.67
	-16.7	-17	123.7	48.24	116.7	45.68	109.6	43.40	106.1	41.18	102.4	39.19	95.4	37.13
	-13.7	-15	123.7	45.36	116.7	42.91	109.6	40.82	106.1	38.76	102.4	36.93	95.4	34.93
	-11.8	-13	123.7	43.54	116.7	41.19	109.6	39.20	106.1	37.20	102.4	35.48	95.4	33.54
	-9.8	-11	123.7	41.63	116.7	39.33	109.6	37.48	106.1	35.57	102.4	33.96	95.4	32.08
	-9.5	-10	123.7	41.33	116.7	39.07	109.6	37.21	106.1	35.32	102.4	33.74	95.4	31.87
	-8.5	-9.1	123.7	40.38	116.7	38.15	109.6	36.35	106.1	34.52	102.4	32.98	95.4	31.14
	-7.0	-7.6	123.7	38.96	116.7	36.79	109.6	35.06	106.1	33.29	102.4	31.83	95.4	30.05
	-5.0	-5.6	123.7	37.04	116.7	34.93	109.6	33.34	106.1	31.67	102.4	30.33	95.4	28.57
	-3.0	-3.7	123.7	35.13	116.7	33.11	109.6	31.64	106.1	30.05	102.4	28.81	95.4	27.10
	0.0	-0.7	123.7	32.25	116.7	30.34	109.6	29.06	106.1	27.59	102.4	26.52	95.4	24.91
	3.0	2.2	123.7	29.38	116.7	27.60	109.6	26.48	106.1	25.15	102.4	24.26	95.4	22.72
	5.0	4.1	123.7	27.47	116.7	25.78	109.6	24.76	106.1	23.52	102.4	22.74	95.4	21.26
	7.0	6	123.7	25.55	116.7	23.92	109.6	23.04	106.1	21.89	102.4	21.22	95.4	19.80
	9.0	7.9	123.7	23.08	116.7	21.62	109.6	20.81	106.1	19.77	102.4	19.16	95.4	17.87
11.0	9.8	123.7	21.60	116.7	20.21	109.6	19.47	106.1	18.51	102.4	17.93	95.4	16.72	
13.0	11.8	123.7	20.27	116.7	18.99	109.6	18.28	106.1	17.36	102.4	16.82	95.4	15.70	
15.0	13.7	123.7	19.18	116.7	17.97	109.6	17.30	106.1	16.44	102.4	15.94	95.4	14.86	

Notes:

1. TC: Total Capacity(kW) PI : Power Input(kW)(Comp. + Outdoor fan motor)
2. Capacity tables show the average value of conditions which may occur.
3. ■■■ is shown as reference. When selecting the outdoor units, avoid the outdoor air temperature range shown by ■■■ .

7. Capacity Tables

ARUB720LTE4

Heating Capacity(72HP)

Combination (%)	Outdoor air temp		Indoor air temp. °C DB											
			16		18		20		21		22		24	
	°C DB	°C WB	TC	PI	TC	PI	TC	PI	TC	PI	TC	PI	TC	PI
130	-24.8	-25	143.6	74.1	143.6	74.49	142.6	74.83	142.6	75.34	142.6	75.84	139.9	76.61
	-21.8	-22	173.5	74.89	173.5	75.28	172.3	75.62	172.3	76.13	172.3	76.61	169.1	77.39
	-19.8	-20	182.6	75.40	182.6	75.79	181.3	76.13	181.3	76.64	181.3	77.12	177.9	77.91
	-18.8	-19	186.3	75.64	186.3	76.03	185.2	76.37	185.2	76.89	185.2	77.39	181.6	78.17
	-16.7	-17	194.6	76.19	194.6	76.59	193.3	76.92	193.3	77.44	193.3	77.94	189.7	78.70
	-13.7	-15	206.3	76.98	206.3	77.37	205.1	77.71	205.1	78.22	205.1	78.70	201.2	75.75
	-11.8	-13	213.0	77.46	213.0	77.85	211.7	78.19	211.7	78.70	211.7	79.21	208.3	73.84
	-9.8	-11	220.0	77.99	220.0	78.36	218.8	78.70	218.8	79.21	218.8	79.72	215.9	71.88
	-9.5	-10	221.4	78.06	221.4	78.46	220.0	78.80	220.0	79.31	219.9	79.82	217.1	71.58
	-8.5	-9.1	225.7	78.33	225.7	78.70	224.3	79.04	224.3	79.55	223.2	79.89	220.9	70.59
	-7.0	-7.6	232.1	78.70	232.1	79.11	230.7	79.45	230.7	79.96	230.7	80.47	226.7	69.09
	-5.0	-5.6	240.6	76.66	240.6	75.00	239.1	73.49	239.1	71.46	239.1	69.57	234.2	67.11
	-3.0	-3.7	249.1	74.61	249.1	72.86	247.6	71.33	247.6	69.33	247.6	67.45	241.8	65.15
	0.0	-0.7	261.8	71.51	261.8	69.68	260.3	68.05	260.3	66.13	260.3	64.31	252.9	62.16
	3.0	2.2	274.8	68.43	274.8	66.49	272.9	64.79	272.9	62.94	272.9	61.14	256.0	59.19
	5.0	4.1	283.3	66.38	283.3	64.37	281.6	62.62	281.6	60.82	275.1	59.03	256.0	57.21
	7.0	6	291.8	64.32	291.8	62.26	289.9	60.45	285.0	58.67	275.1	56.93	256.0	55.23
9.0	7.9	293.1	62.62	293.1	60.61	292.3	58.86	285.0	57.13	275.1	55.43	256.0	53.78	
11.0	9.8	293.1	61.49	293.1	59.50	292.3	57.77	285.0	56.10	275.1	54.43	256.0	52.78	
13.0	11.8	293.1	60.25	293.1	58.30	292.3	56.60	285.0	54.97	275.1	53.34	256.0	51.73	
15.0	13.7	293.1	58.93	293.1	57.03	292.3	55.36	285.0	53.76	275.1	52.15	256.0	50.59	
120	-24.8	-25	142.5	74.49	142.5	74.83	141.6	75.34	141.6	75.84	141.6	76.61	138.9	77.16
	-21.8	-22	172.3	75.28	172.3	75.62	171.2	76.13	171.2	76.61	171.2	77.39	168.0	77.94
	-19.8	-20	181.1	75.79	181.1	76.13	180.0	76.64	180.0	77.12	180.0	77.91	176.5	78.46
	-18.8	-19	185.1	76.03	185.1	76.37	183.9	76.89	183.9	77.39	183.9	78.17	180.4	78.70
	-16.7	-17	193.3	76.59	193.3	76.92	192.0	77.44	192.0	77.94	192.0	78.70	188.3	76.79
	-13.7	-15	204.8	77.37	204.8	77.71	203.7	78.22	203.7	78.70	203.7	79.21	199.7	74.06
	-11.8	-13	211.6	77.85	211.6	78.19	210.2	78.70	210.2	79.21	210.2	79.72	206.9	72.33
	-9.8	-11	218.5	78.36	218.5	78.70	217.1	79.21	217.1	79.72	217.1	80.23	214.4	70.52
	-9.5	-10	219.9	78.46	219.9	78.36	218.5	76.16	218.5	74.25	218.5	71.87	215.6	70.24
	-8.5	-9.1	224.0	78.70	224.0	77.18	222.8	75.05	222.8	73.19	222.6	70.92	219.5	69.32
	-7.0	-7.6	230.4	76.96	230.4	75.43	228.9	73.39	228.9	71.60	228.5	69.50	225.0	67.96
	-5.0	-5.6	238.9	74.64	238.9	73.08	237.3	71.16	237.3	69.49	237.3	67.60	232.7	66.14
	-3.0	-3.7	247.4	72.30	247.4	70.73	245.9	68.95	245.9	67.36	245.9	65.71	239.7	64.32
	0.0	-0.7	260.0	68.81	260.0	67.23	258.5	65.62	258.5	64.18	258.5	62.87	240.5	61.58
	3.0	2.2	272.9	65.33	272.9	63.71	271.0	62.31	267.2	61.00	258.8	60.02	240.5	58.85
	5.0	4.1	281.2	63.00	281.2	61.36	276.4	60.09	267.2	58.88	258.8	58.11	240.5	57.03
	7.0	6	289.8	60.66	287.6	59.02	276.4	57.87	267.2	56.75	258.8	56.22	240.5	55.21
9.0	7.9	290.8	58.92	287.6	57.31	276.4	56.19	267.2	55.12	258.8	54.60	240.5	53.62	
11.0	9.8	290.8	57.69	287.6	56.13	276.4	55.02	267.2	53.97	258.8	53.46	240.5	52.51	
13.0	11.8	290.8	56.38	287.6	54.85	276.4	53.76	267.2	52.74	258.8	52.24	240.5	51.30	
15.0	13.7	290.8	54.97	287.6	53.46	276.4	52.41	267.2	51.41	258.8	50.94	240.5	50.01	
110	-24.8	-25	141.8	74.83	141.8	75.34	140.8	75.84	140.8	76.61	140.8	77.16	138.2	77.42
	-21.8	-22	171.3	75.62	171.3	76.13	170.2	76.61	170.2	77.39	170.2	77.94	167.0	78.19
	-19.8	-20	180.2	76.13	180.2	76.64	179.0	77.12	179.0	77.91	179.0	78.46	175.5	78.70
	-18.8	-19	184.1	76.37	184.1	76.89	182.9	77.39	182.9	78.17	182.9	78.70	179.4	77.71
	-16.7	-17	192.2	76.92	192.2	77.44	190.9	77.94	190.9	78.70	190.9	79.21	187.2	75.58
	-13.7	-15	203.7	77.71	203.7	78.22	202.4	78.70	202.4	79.21	202.4	79.72	202.4	72.53
	-11.8	-13	210.3	78.19	210.3	78.70	209.1	79.21	209.1	79.72	209.1	80.23	209.1	70.62
	-9.8	-11	217.4	78.70	217.4	79.21	216.0	80.23	216.0	80.74	216.0	81.25	214.5	68.61
	-9.5	-10	218.5	78.29	218.5	75.83	217.4	73.82	217.4	71.18	217.4	69.53	216.4	68.28
	-8.5	-9.1	222.8	76.96	222.8	74.58	221.5	72.66	221.5	70.14	221.5	68.54	216.4	67.29
	-7.0	-7.6	229.3	74.93	229.3	72.71	227.8	70.90	227.8	68.57	227.8	67.08	216.4	65.77
	-5.0	-5.6	237.6	72.24	237.6	70.22	236.1	68.58	236.1	66.48	231.8	65.09	216.4	63.75
	-3.0	-3.7	245.9	69.55	245.9	67.72	244.5	66.24	239.8	64.38	231.8	63.12	216.4	61.71
	0.0	-0.7	258.6	65.49	258.6	63.98	248.0	62.75	239.8	61.26	231.8	60.16	216.4	58.68
	3.0	2.2	271.2	61.47	264.3	60.22	248.0	59.26	239.8	58.11	231.8	57.19	216.4	55.64
	5.0	4.1	279.6	58.77	264.3	57.72	248.0	56.94	239.8	56.02	231.8	55.22	216.4	53.63
	7.0	6	279.7	56.06	264.3	55.22	248.0	54.59	239.8	53.94	231.8	53.25	216.4	51.60
9.0	7.9	279.7	54.22	264.3	53.39	248.0	52.80	239.8	52.16	231.8	51.48	216.4	49.91	
11.0	9.8	279.7	52.83	264.3	52.03	248.0	51.45	239.8	50.83	231.8	50.17	216.4	48.61	
13.0	11.8	279.7	51.34	264.3	50.58	248.0	49.99	239.8	49.39	231.8	48.75	216.4	47.25	
15.0	13.7	279.7	49.77	264.3	49.01	248.0	48.46	239.8	47.88	231.8	47.26	216.4	45.81	

Outdoor Units

Notes:

1. TC: Total Capacity(kW) PI : Power Input(kW)(Comp. + Outdoor fan motor)
2. Capacity tables show the average value of conditions which may occur.
3. ■■■■ is shown as reference. When selecting the outdoor units, avoid the outdoor air temperature range shown by ■■■■.

7. Capacity Tables

Heating Capacity(72HP)

Outdoor Units

Combination (%)	Outdoor air temp		Indoor air temp. °C DB											
			16		18		20		21		22		24	
	°C DB	°C WB	TC	PI	TC	PI	TC	PI	TC	PI	TC	PI	TC	PI
100	-24.8	-25	141.1	80.90	141.1	80.60	140.3	75.35	140.3	79.88	140.3	79.59	137.5	79.44
	-21.8	-22	170.6	80.45	170.6	80.16	169.5	77.73	169.5	79.46	169.5	79.99	166.3	79.00
	-19.8	-20	179.4	80.16	179.4	79.88	178.3	79.19	178.3	79.16	178.3	79.14	174.8	78.70
	-18.8	-19	183.3	80.01	182.2	79.73	182.2	79.46	182.2	79.01	182.2	78.70	178.6	77.47
	-16.7	-17	190.1	79.72	190.1	79.42	190.1	79.99	189.1	78.70	189.1	76.16	185.5	74.86
	-13.7	-15	202.7	79.27	202.7	78.98	201.6	78.70	201.6	75.01	201.6	72.49	197.7	71.13
	-11.8	-13	209.2	79.00	208.1	78.70	208.1	76.22	208.1	72.65	208.1	70.18	197.7	68.78
	-9.8	-11	216.3	78.70	216.3	75.92	215.2	73.62	215.2	70.18	212.4	67.74	197.7	66.31
	-9.5	-10	217.4	78.27	217.4	75.51	216.4	73.22	216.4	69.82	212.4	67.38	197.7	65.94
	-8.5	-9.1	221.7	76.82	221.7	74.12	220.6	71.90	219.6	68.58	212.4	66.17	197.7	64.69
	-7.0	-7.6	231.8	74.63	230.8	72.04	226.8	69.96	219.6	66.72	212.4	64.33	197.7	62.83
	-5.0	-5.6	241.9	71.72	239.5	69.25	226.8	67.34	219.6	64.25	212.4	61.90	197.7	60.36
	-3.0	-3.7	248.8	68.82	241.2	66.47	226.8	64.74	219.6	61.77	212.4	59.46	197.7	57.88
	0.0	-0.7	255.9	64.45	241.2	62.30	226.8	60.80	219.6	58.06	212.4	55.80	197.7	54.15
	3.0	2.2	255.9	60.10	241.2	58.13	226.8	56.89	219.6	54.37	212.4	52.16	197.7	50.44
	5.0	4.1	255.9	57.18	241.2	55.35	226.8	54.28	219.6	51.90	212.4	49.72	197.7	47.95
	7.0	6	255.9	54.28	241.2	52.57	226.8	51.66	219.6	49.43	212.4	47.30	197.7	45.49
	9.0	7.9	255.9	52.06	241.2	50.41	226.8	49.54	219.6	47.40	212.4	45.36	197.7	43.62
11.0	9.8	255.9	50.28	241.2	48.70	226.8	47.84	219.6	45.77	212.4	43.81	197.7	42.12	
13.0	11.8	255.9	48.37	241.2	46.86	226.8	46.05	219.6	44.06	212.4	42.14	197.7	40.55	
15.0	13.7	255.9	46.37	241.2	44.92	226.8	44.14	219.6	42.21	212.4	40.41	197.7	38.86	
90	-24.8	-25	140.7	72.96	140.7	73.75	139.7	74.30	139.7	74.54	139.7	75.05	137.1	75.84
	-21.8	-22	169.9	73.75	169.9	74.53	168.8	75.05	168.8	75.33	168.8	75.84	165.5	72.59
	-19.8	-20	178.7	74.26	178.7	75.05	177.6	75.60	177.6	75.84	177.6	73.63	174.3	70.42
	-18.8	-19	183.3	74.53	182.2	75.29	181.5	75.84	181.5	74.70	181.5	72.50	177.9	69.34
	-16.7	-17	190.1	75.05	190.1	75.84	189.3	73.48	189.3	72.29	189.3	70.17	180.7	67.05
	-13.7	-15	202.7	75.84	202.7	72.32	200.9	70.11	200.9	68.88	194.7	66.85	180.7	63.79
	-11.8	-13	209.2	73.45	208.1	70.10	207.3	67.95	201.2	66.70	194.7	64.73	180.7	61.74
	-9.8	-11	216.3	70.89	216.3	67.76	207.5	65.70	201.2	64.41	194.7	62.52	180.7	59.57
	-9.5	-10	217.4	70.53	217.4	67.41	207.5	65.37	201.2	64.08	194.7	62.18	180.7	59.24
	-8.5	-9.1	221.7	69.25	220.0	66.23	207.5	64.24	201.2	62.91	194.7	61.07	180.7	58.16
	-7.0	-7.6	231.8	67.35	220.4	64.48	207.5	62.54	201.2	61.20	194.7	59.40	180.7	56.52
	-5.0	-5.6	234.4	64.82	220.4	62.13	207.5	60.30	201.2	58.92	194.7	57.17	180.7	54.36
	-3.0	-3.7	234.4	62.29	220.4	59.79	207.5	58.05	201.2	56.62	194.7	54.96	180.7	52.19
	0.0	-0.7	234.4	58.48	220.4	56.28	207.5	54.67	201.2	53.20	194.7	51.62	180.7	48.94
	3.0	2.2	234.4	54.66	220.4	52.77	207.5	51.30	201.2	49.77	194.7	48.29	180.7	45.69
	5.0	4.1	234.4	52.14	220.4	50.41	207.5	49.03	201.2	47.48	194.7	46.06	180.7	43.51
	7.0	6	234.4	49.60	220.4	48.07	207.5	46.78	201.2	45.19	194.7	43.85	180.7	41.34
	9.0	7.9	234.4	47.22	220.4	45.76	207.5	44.53	201.2	43.01	194.7	41.72	180.7	39.35
11.0	9.8	234.4	44.83	220.4	43.44	207.5	42.27	201.2	40.84	194.7	39.62	180.7	37.36	
13.0	11.8	234.4	42.45	220.4	41.13	207.5	40.03	201.2	38.66	194.7	37.52	180.7	35.37	
15.0	13.7	234.4	40.05	220.4	38.82	207.5	37.78	201.2	36.50	194.7	35.39	180.7	33.38	
80	-24.8	-25	140.0	64.38	140.0	65.15	139.2	65.70	139.2	65.96	139.2	67.26	136.4	64.39
	-21.8	-22	168.1	65.15	168.1	65.92	168.1	66.48	168.1	67.26	168.1	64.39	161.6	61.63
	-19.8	-20	176.8	65.68	176.8	66.44	176.8	67.26	176.8	65.24	173.5	62.48	161.6	59.80
	-18.8	-19	180.7	65.92	180.7	67.26	180.7	66.23	179.8	64.21	173.5	61.53	161.6	58.88
	-16.7	-17	185.7	67.26	185.7	65.11	185.7	64.07	180.0	62.10	173.5	59.51	161.6	56.96
	-13.7	-15	185.7	64.09	185.7	62.07	185.7	61.01	180.0	59.07	173.5	56.66	161.6	54.21
	-11.8	-13	190.9	62.08	186.1	60.13	185.7	59.06	180.0	57.15	173.5	54.85	161.6	52.46
	-9.8	-11	198.9	59.97	193.1	58.10	185.7	57.01	180.0	55.13	173.5	52.94	161.6	50.65
	-9.5	-10	200.0	59.65	194.1	57.81	185.7	56.72	180.0	54.82	173.5	52.66	161.6	50.37
	-8.5	-9.1	203.9	58.59	197.6	56.78	185.7	55.69	180.0	53.81	173.5	51.70	161.6	49.45
	-7.0	-7.6	209.8	57.02	197.6	55.25	185.7	54.15	180.0	52.30	173.5	50.25	161.6	48.07
	-5.0	-5.6	209.8	54.91	197.6	53.22	185.7	52.10	180.0	50.27	173.5	48.36	161.6	46.23
	-3.0	-3.7	209.8	52.79	197.6	51.20	185.7	50.05	180.0	48.25	173.5	46.45	161.6	44.41
	0.0	-0.7	209.8	49.64	197.6	48.14	185.7	46.99	180.0	45.23	173.5	43.59	161.6	41.66
	3.0	2.2	209.8	46.48	197.6	45.08	185.7	43.90	180.0	42.19	173.5	40.71	161.6	38.90
	5.0	4.1	209.8	44.36	197.6	43.05	185.7	41.86	180.0	40.18	173.5	38.80	161.6	37.08
	7.0	6	209.8	42.25	197.6	41.02	185.7	39.81	180.0	38.16	173.5	36.91	161.6	35.24
	9.0	7.9	209.8	39.67	197.6	38.52	185.7	37.37	180.0	35.83	173.5	34.65	161.6	33.08
11.0	9.8	209.8	36.81	197.6	35.75	185.7	34.69	180.0	33.25	173.5	32.16	161.6	30.70	
13.0	11.8	209.8	34.37	197.6	33.36	185.7	32.38	180.0	31.03	173.5	30.01	161.6	28.66	
15.0	13.7	209.8	32.35	197.6	31.41	185.7	30.50	180.0	29.22	173.5	28.27	161.6	26.98	

Notes:

1. TC: Total Capacity(kW) PI : Power Input(kW)(Comp. + Outdoor fan motor)
2. Capacity tables show the average value of conditions which may occur.
3. ■■■ is shown as reference. When selecting the outdoor units, avoid the outdoor air temperature range shown by ■■■ .

7. Capacity Tables

Heating Capacity(72HP)

Combination (%)	Outdoor air temp		Indoor air temp. °C DB											
			16		18		20		21		22		24	
	°C DB	°C WB	TC	PI	TC	PI	TC	PI	TC	PI	TC	PI	TC	PI
70	-24.8	-25	140.0	64.12	140.0	64.38	139.2	64.91	139.2	65.68	139.2	62.57	135.5	59.64
	-21.8	-22	159.1	64.91	159.1	65.17	158.0	65.68	152.7	62.57	148.0	59.64	138.2	56.81
	-19.8	-20	171.8	65.42	168.1	65.68	158.0	63.49	152.7	60.48	148.0	57.69	138.2	54.93
	-18.8	-19	176.6	65.68	168.1	64.54	158.0	62.39	152.7	59.43	148.0	56.70	138.2	53.99
	-16.7	-17	177.9	63.31	168.1	62.17	158.0	60.09	152.7	57.26	148.0	54.68	138.2	52.00
	-13.7	-15	177.9	59.97	168.1	58.77	158.0	56.80	152.7	54.12	148.0	51.75	138.2	49.18
	-11.8	-13	177.9	57.84	168.1	56.61	158.0	54.71	152.7	52.14	148.0	49.91	138.2	47.41
	-9.8	-11	177.9	55.61	168.1	54.35	158.0	52.54	152.7	50.08	148.0	47.96	138.2	45.53
	-9.5	-10	177.9	55.26	168.1	54.00	158.0	52.19	152.7	49.75	148.0	47.67	138.2	45.24
	-8.5	-9.1	177.9	54.15	168.1	52.86	158.0	51.10	152.7	48.70	148.0	46.69	138.2	44.30
	-7.0	-7.6	177.9	52.46	168.1	51.19	158.0	49.47	152.7	47.14	148.0	45.23	138.2	42.88
	-5.0	-5.6	177.9	50.23	168.1	48.91	158.0	47.27	152.7	45.08	148.0	43.29	138.2	41.00
	-3.0	-3.7	177.9	47.99	168.1	46.65	158.0	45.08	152.7	43.00	148.0	41.34	138.2	39.13
	0.0	-0.7	177.9	44.62	168.1	43.25	158.0	41.81	152.7	39.88	148.0	38.41	138.2	36.30
	3.0	2.2	177.9	41.27	168.1	39.84	158.0	38.52	152.7	36.74	148.0	35.50	138.2	33.48
	5.0	4.1	177.9	39.04	168.1	37.58	158.0	36.32	152.7	34.67	148.0	33.55	138.2	31.60
	7.0	6	177.9	36.78	168.1	35.32	158.0	34.12	152.7	32.59	148.0	31.61	138.2	29.71
	9.0	7.9	177.9	33.22	168.1	31.89	158.0	30.81	152.7	29.43	148.0	28.55	138.2	26.83
11.0	9.8	177.9	30.92	168.1	29.69	158.0	28.70	152.7	27.39	148.0	26.57	138.2	24.98	
13.0	11.8	177.9	28.94	168.1	27.78	158.0	26.85	152.7	25.63	148.0	24.85	138.2	23.37	
15.0	13.7	177.9	27.29	168.1	26.18	158.0	25.31	152.7	24.16	148.0	23.43	138.2	22.03	
60	-24.8	-25	136.4	63.47	136.4	64.00	135.4	64.77	131.0	61.41	126.4	58.26	118.4	55.30
	-21.8	-22	146.1	64.24	144.4	64.77	135.4	61.41	131.0	58.26	126.4	55.30	118.4	52.43
	-19.8	-20	152.7	64.77	144.4	62.40	135.4	59.16	131.0	56.15	126.4	53.33	118.4	50.53
	-18.8	-19	152.7	63.56	144.4	61.21	135.4	58.04	131.0	55.10	126.4	52.32	118.4	49.57
	-16.7	-17	152.7	61.06	144.4	58.71	135.4	55.69	131.0	52.91	126.4	50.25	118.4	47.58
	-13.7	-15	152.7	57.45	144.4	55.15	135.4	52.34	131.0	49.75	126.4	47.29	118.4	44.70
	-11.8	-13	152.7	55.18	144.4	52.90	135.4	50.20	131.0	47.74	126.4	45.43	118.4	42.90
	-9.8	-11	152.7	52.79	144.4	50.52	135.4	47.95	131.0	45.64	126.4	43.45	118.4	41.00
	-9.5	-10	152.7	52.41	144.4	50.16	135.4	47.64	131.0	45.33	126.4	43.15	118.4	40.72
	-8.5	-9.1	152.7	51.21	144.4	48.97	135.4	46.50	131.0	44.30	126.4	42.16	118.4	39.75
	-7.0	-7.6	152.7	49.41	144.4	47.20	135.4	44.83	131.0	42.72	126.4	40.69	118.4	38.33
	-5.0	-5.6	152.7	47.03	144.4	44.82	135.4	42.58	131.0	40.61	126.4	38.72	118.4	36.42
	-3.0	-3.7	152.7	44.63	144.4	42.45	135.4	40.36	131.0	38.51	126.4	36.75	118.4	34.52
	0.0	-0.7	152.7	41.03	144.4	38.87	135.4	36.98	131.0	35.37	126.4	33.77	118.4	31.66
	3.0	2.2	152.7	37.42	144.4	35.32	135.4	33.61	131.0	32.20	126.4	30.81	118.4	28.79
	5.0	4.1	152.7	35.03	144.4	32.94	135.4	31.39	131.0	30.10	126.4	28.84	118.4	26.89
	7.0	6	152.7	32.63	144.4	30.57	135.4	29.15	131.0	28.00	126.4	26.87	118.4	24.99
	9.0	7.9	152.7	29.11	144.4	27.26	135.4	26.01	131.0	25.00	126.4	23.97	118.4	22.30
11.0	9.8	152.7	27.19	144.4	25.48	135.4	24.29	131.0	23.33	126.4	22.38	118.4	20.81	
13.0	11.8	152.7	25.48	144.4	23.85	135.4	22.73	131.0	21.86	126.4	20.98	118.4	19.50	
15.0	13.7	152.7	24.08	144.4	22.55	135.4	21.50	131.0	20.66	126.4	19.82	118.4	18.44	
50	-24.8	-25	127.4	55.06	120.2	55.82	112.9	52.89	109.3	50.14	105.5	47.54	98.3	45.12
	-21.8	-22	127.4	55.82	120.2	52.89	112.9	50.14	109.3	47.54	105.5	45.12	98.3	42.78
	-19.8	-20	127.4	53.77	120.2	50.93	112.9	48.30	109.3	45.79	105.5	43.50	98.3	41.23
	-18.8	-19	127.4	52.74	120.2	49.95	112.9	47.38	109.3	44.94	105.5	42.69	98.3	40.45
	-16.7	-17	127.4	50.61	120.2	47.89	112.9	45.46	109.3	43.11	105.5	40.99	98.3	38.81
	-13.7	-15	127.4	47.53	120.2	44.94	112.9	42.71	109.3	40.52	105.5	38.58	98.3	36.48
	-11.8	-13	127.4	45.59	120.2	43.09	112.9	40.98	109.3	38.87	105.5	37.04	98.3	35.00
	-9.8	-11	127.4	43.54	120.2	41.11	112.9	39.14	109.3	37.13	105.5	35.42	98.3	33.45
	-9.5	-10	127.4	43.22	120.2	40.83	112.9	38.86	109.3	36.86	105.5	35.19	98.3	33.23
	-8.5	-9.1	127.4	42.20	120.2	39.84	112.9	37.94	109.3	36.00	105.5	34.38	98.3	32.45
	-7.0	-7.6	127.4	40.67	120.2	38.39	112.9	36.57	109.3	34.70	105.5	33.15	98.3	31.28
	-5.0	-5.6	127.4	38.62	120.2	36.41	112.9	34.73	109.3	32.97	105.5	31.56	98.3	29.71
	-3.0	-3.7	127.4	36.58	120.2	34.46	112.9	32.92	109.3	31.24	105.5	29.94	98.3	28.15
	0.0	-0.7	127.4	33.50	120.2	31.51	112.9	30.16	109.3	28.63	105.5	27.50	98.3	25.83
	3.0	2.2	127.4	30.43	120.2	28.57	112.9	27.41	109.3	26.02	105.5	25.10	98.3	23.50
	5.0	4.1	127.4	28.37	120.2	26.62	112.9	25.57	109.3	24.28	105.5	23.48	98.3	21.95
	7.0	6	127.4	26.32	120.2	24.64	112.9	23.74	109.3	22.55	105.5	21.86	98.3	20.40
	9.0	7.9	127.4	23.77	120.2	22.27	112.9	21.44	109.3	20.36	105.5	19.73	98.3	18.41
11.0	9.8	127.4	22.25	120.2	20.81	112.9	20.05	109.3	19.07	105.5	18.47	98.3	17.22	
13.0	11.8	127.4	20.88	120.2	19.56	112.9	18.83	109.3	17.89	105.5	17.33	98.3	16.17	
15.0	13.7	127.4	19.76	120.2	18.51	112.9	17.82	109.3	16.94	105.5	16.42	98.3	15.31	

Notes:

1. TC: Total Capacity(kW) PI : Power Input(kW)(Comp. + Outdoor fan motor)
2. Capacity tables show the average value of conditions which may occur.
3. ■■■ is shown as reference. When selecting the outdoor units, avoid the outdoor air temperature range shown by ■■■ .

7. Capacity Tables

ARUB740LTE4

Heating Capacity(74HP)

Outdoor Units

Combination (%)	Outdoor air temp		Indoor air temp. °C DB											
			16		18		20		21		22		24	
	°C DB	°C WB	TC	PI	TC	PI	TC	PI	TC	PI	TC	PI	TC	PI
130	-24.8	-25	144.8	75.2	144.8	75.73	143.7	76.18	143.7	76.86	143.7	77.51	141.6	78.53
	-21.8	-22	175.1	76.25	175.1	76.77	174.0	77.21	174.0	77.89	174.0	78.53	171.4	79.55
	-19.8	-20	184.5	76.93	184.5	77.44	183.2	77.89	183.2	78.56	183.2	79.20	180.5	80.23
	-18.8	-19	188.4	77.26	188.4	77.77	187.3	78.22	187.3	78.90	187.3	79.55	184.4	80.58
	-16.7	-17	196.9	77.98	196.9	78.50	195.7	78.94	195.7	79.62	195.7	80.27	192.8	81.28
	-13.7	-15	209.1	79.01	209.1	79.52	207.8	79.97	207.8	80.65	207.8	81.28	204.7	78.29
	-11.8	-13	215.9	79.65	215.9	80.16	214.6	80.61	214.6	81.28	214.6	79.26	211.8	76.35
	-9.8	-11	223.1	80.34	223.1	80.84	221.9	81.28	221.9	79.14	221.9	77.12	219.3	74.36
	-9.5	-10	224.8	80.43	224.8	80.96	223.4	80.97	223.4	78.81	222.9	76.82	220.4	74.06
	-8.5	-9.1	230.1	80.79	230.1	81.28	228.7	79.87	228.7	77.74	226.4	75.74	224.2	73.05
	-7.0	-7.6	238.2	81.28	238.2	79.69	236.7	78.22	236.7	76.13	236.7	74.16	231.2	71.53
	-5.0	-5.6	248.7	79.25	248.7	77.57	247.2	76.03	247.2	73.96	247.2	72.03	239.0	69.52
	-3.0	-3.7	259.4	77.19	259.4	75.42	257.8	73.85	257.8	71.82	257.8	69.89	246.9	67.53
	0.0	-0.7	275.2	74.11	275.2	72.23	273.6	70.55	272.5	68.58	270.3	66.71	258.7	64.50
	3.0	2.2	286.0	71.03	286.0	69.03	284.3	67.27	282.7	65.36	280.5	63.49	262.6	61.48
	5.0	4.1	292.9	68.98	292.9	66.90	291.3	65.08	289.7	63.21	282.2	61.36	262.6	59.47
	7.0	6	299.7	66.92	299.7	64.78	298.0	62.89	292.4	61.05	282.2	59.23	262.6	57.46
	9.0	7.9	300.7	65.23	300.7	63.14	299.9	61.31	292.4	59.51	282.2	57.74	262.6	56.02
11.0	9.8	300.7	64.13	300.7	62.06	299.9	60.26	292.4	58.51	282.2	56.77	262.6	55.05	
13.0	11.8	300.7	62.93	300.7	60.89	299.9	59.12	292.4	57.41	282.2	55.71	262.6	54.03	
15.0	13.7	300.7	61.64	300.7	59.66	299.9	57.90	292.4	56.23	282.2	54.55	262.6	52.92	
120	-24.8	-25	143.7	75.73	143.7	76.18	142.7	76.86	142.7	77.51	142.7	78.53	140.6	79.25
	-21.8	-22	174.0	76.77	174.0	77.21	172.9	77.89	172.9	78.53	172.9	79.55	170.3	80.27
	-19.8	-20	183.1	77.44	183.1	77.89	181.9	78.56	181.9	79.20	181.9	80.23	179.1	80.96
	-18.8	-19	187.1	77.77	187.1	78.22	186.0	78.90	186.0	79.55	186.0	80.58	183.2	81.28
	-16.7	-17	195.6	78.50	195.6	78.94	194.3	79.62	194.3	80.27	194.3	81.28	191.4	79.34
	-13.7	-15	207.6	79.52	207.6	79.97	206.4	80.65	206.4	81.28	206.4	78.40	203.2	76.57
	-11.8	-13	214.5	80.16	214.5	80.61	213.1	81.28	213.1	79.25	213.1	76.57	210.4	74.82
	-9.8	-11	221.6	80.84	221.6	81.28	220.2	79.06	220.2	77.10	220.2	74.65	217.8	72.98
	-9.5	-10	223.2	80.96	223.2	80.94	221.8	78.72	221.8	76.78	221.8	74.36	219.2	72.70
	-8.5	-9.1	228.4	81.28	228.4	79.75	227.2	77.59	227.2	75.70	226.5	73.39	223.7	71.76
	-7.0	-7.6	236.4	79.53	236.4	77.98	234.9	75.91	234.9	74.09	232.6	71.96	229.4	70.38
	-5.0	-5.6	247.0	77.20	247.0	75.60	245.4	73.66	245.4	71.95	245.4	70.03	237.4	68.54
	-3.0	-3.7	257.6	74.83	257.6	73.24	256.0	71.42	256.0	69.79	255.2	68.11	245.3	66.69
	0.0	-0.7	273.4	71.32	272.9	69.70	269.2	68.05	267.2	66.57	265.4	65.23	246.7	63.91
	3.0	2.2	284.0	67.82	283.3	66.14	279.3	64.70	274.1	63.35	265.6	62.34	246.7	61.14
	5.0	4.1	290.7	65.47	290.0	63.78	283.6	62.45	274.1	61.21	265.6	60.41	246.7	59.29
	7.0	6	297.6	63.11	295.1	61.41	283.6	60.21	274.1	59.04	265.6	58.50	246.7	57.45
	9.0	7.9	298.4	61.37	295.1	59.70	283.6	58.53	274.1	57.41	265.6	56.87	246.7	55.86
11.0	9.8	298.4	60.16	295.1	58.53	283.6	57.38	274.1	56.28	265.6	55.75	246.7	54.76	
13.0	11.8	298.4	58.87	295.1	57.28	283.6	56.14	274.1	55.08	265.6	54.55	246.7	53.57	
15.0	13.7	298.4	57.48	295.1	55.91	283.6	54.81	274.1	53.76	265.6	53.26	246.7	52.30	
110	-24.8	-25	142.9	76.18	142.9	76.86	141.9	77.51	141.9	78.53	141.9	79.25	139.8	79.60
	-21.8	-22	173.0	77.21	173.0	77.89	171.9	78.53	171.9	79.55	171.9	80.27	169.3	80.61
	-19.8	-20	182.1	77.89	182.1	78.56	180.9	79.20	180.9	80.23	180.9	80.96	178.0	81.28
	-18.8	-19	186.1	78.22	186.1	78.90	185.0	79.55	185.0	80.58	185.0	81.28	182.1	80.27
	-16.7	-17	194.5	78.94	194.5	79.62	193.2	80.27	193.2	81.28	193.2	79.19	190.3	78.10
	-13.7	-15	206.4	79.97	206.4	80.65	205.1	81.28	205.1	78.11	205.1	76.18	205.1	75.00
	-11.8	-13	213.2	80.61	213.2	81.28	211.9	79.04	211.9	76.10	211.9	74.27	211.9	73.05
	-9.8	-11	220.4	81.28	220.4	78.75	219.0	76.68	219.0	73.97	219.0	72.26	217.5	71.00
	-9.5	-10	221.9	80.87	221.9	78.36	220.7	76.32	220.7	73.64	220.7	71.96	219.9	70.68
	-8.5	-9.1	227.2	79.52	227.2	77.10	225.8	75.15	225.8	72.58	225.6	70.95	221.5	69.66
	-7.0	-7.6	235.2	77.46	235.2	75.20	233.7	73.36	233.7	70.99	232.2	69.46	222.0	68.11
	-5.0	-5.6	245.6	74.73	245.6	72.68	244.1	71.01	243.1	68.86	236.9	67.45	222.0	66.05
	-3.0	-3.7	256.1	72.01	256.1	70.14	251.7	68.63	246.1	66.74	237.8	65.44	222.0	63.99
	0.0	-0.7	269.9	67.89	266.6	66.34	254.5	65.09	246.1	63.56	237.8	62.43	222.0	60.89
	3.0	2.2	280.1	63.81	271.2	62.53	254.5	61.54	246.1	60.36	237.8	59.41	222.0	57.80
	5.0	4.1	286.9	61.08	271.2	59.99	254.5	59.18	246.1	58.23	237.8	57.40	222.0	55.76
	7.0	6	286.9	58.32	271.2	57.45	254.5	56.80	246.1	56.12	237.8	55.41	222.0	53.69
	9.0	7.9	286.9	56.47	271.2	55.61	254.5	54.99	246.1	54.33	237.8	53.62	222.0	51.98
11.0	9.8	286.9	55.09	271.2	54.26	254.5	53.65	246.1	53.00	237.8	52.32	222.0	50.69	
13.0	11.8	286.9	53.61	271.2	52.81	254.5	52.20	246.1	51.57	237.8	50.90	222.0	49.34	
15.0	13.7	286.9	52.04	271.2	51.25	254.5	50.67	246.1	50.06	237.8	49.41	222.0	47.89	

Notes:

1. TC: Total Capacity(kW) PI : Power Input(kW)(Comp. + Outdoor fan motor)
2. Capacity tables show the average value of conditions which may occur.
3. ■■■ is shown as reference. When selecting the outdoor units, avoid the outdoor air temperature range shown by ■■■ .

7. Capacity Tables

Heating Capacity(74HP)

Combination (%)	Outdoor air temp		Indoor air temp. °C DB											
			16		18		20		21		22		24	
	°C DB	°C WB	TC	PI	TC	PI	TC	PI	TC	PI	TC	PI	TC	PI
100	-24.8	-25	142.2	82.40	142.2	82.24	141.4	77.36	141.4	81.88	141.4	81.74	139.1	81.66
	-21.8	-22	172.3	82.17	172.3	82.02	171.2	79.81	171.2	81.68	171.2	82.38	168.6	81.44
	-19.8	-20	181.3	82.02	181.3	81.89	180.2	81.32	180.2	81.52	180.2	81.66	177.4	81.28
	-18.8	-19	185.4	81.94	184.2	81.81	184.2	81.68	184.2	81.44	184.2	81.28	181.3	80.02
	-16.7	-17	192.4	81.81	192.4	81.65	192.4	82.38	191.4	81.28	191.4	78.68	188.5	77.36
	-13.7	-15	205.4	81.57	205.4	81.43	204.3	81.28	204.3	77.52	204.3	74.94	201.1	73.55
	-11.8	-13	212.1	81.44	210.9	81.28	210.9	78.76	210.9	75.11	210.9	72.58	202.5	71.14
	-9.8	-11	219.3	81.28	219.3	78.45	218.2	76.11	218.2	72.59	215.9	70.09	202.8	68.61
	-9.5	-10	220.7	80.84	220.7	78.03	219.7	75.70	219.7	72.22	216.5	69.72	202.8	68.24
	-8.5	-9.1	226.1	79.38	226.1	76.62	224.9	74.36	225.3	70.96	217.9	68.48	202.8	66.96
	-7.0	-7.6	237.8	77.15	236.8	74.50	232.7	72.39	225.3	69.06	217.9	66.61	202.8	65.06
	-5.0	-5.6	248.2	74.20	245.7	71.67	232.7	69.72	225.3	66.54	217.9	64.12	202.8	62.53
	-3.0	-3.7	255.3	71.25	247.5	68.84	232.7	67.06	225.3	64.01	217.9	61.63	202.8	60.00
	0.0	-0.7	262.6	66.80	247.5	64.60	232.7	63.05	225.3	60.24	217.9	57.90	202.8	56.18
	3.0	2.2	262.6	62.39	247.5	60.35	232.7	59.07	225.3	56.47	217.9	54.18	202.8	52.39
	5.0	4.1	262.6	59.42	247.5	57.53	232.7	56.42	225.3	53.95	217.9	51.69	202.8	49.85
	7.0	6	262.6	56.47	247.5	54.70	232.7	53.75	225.3	51.43	217.9	49.21	202.8	47.33
	9.0	7.9	262.6	54.20	247.5	52.48	232.7	51.58	225.3	49.35	217.9	47.22	202.8	45.40
	11.0	9.8	262.6	52.37	247.5	50.72	232.7	49.84	225.3	47.68	217.9	45.63	202.8	43.87
	13.0	11.8	262.6	50.43	247.5	48.85	232.7	48.00	225.3	45.92	217.9	43.93	202.8	42.26
15.0	13.7	262.6	48.38	247.5	46.86	232.7	46.05	225.3	44.04	217.9	42.15	202.8	40.53	
90	-24.8	-25	141.8	74.31	141.8	75.34	140.8	76.07	140.8	76.39	140.8	77.07	138.7	78.10
	-21.8	-22	171.5	75.34	171.5	76.37	170.4	77.07	170.4	77.43	170.4	78.10	167.8	74.79
	-19.8	-20	180.6	76.02	180.6	77.05	179.4	77.77	179.4	78.10	179.4	75.85	176.8	72.59
	-18.8	-19	185.4	76.37	184.2	77.38	183.5	78.10	183.5	76.95	183.5	74.71	180.6	71.49
	-16.7	-17	192.4	77.07	192.4	78.10	191.6	75.71	191.6	74.50	191.6	72.35	184.5	69.16
	-13.7	-15	205.4	78.10	205.4	74.54	203.5	72.30	203.5	71.04	198.6	68.98	185.5	65.85
	-11.8	-13	212.1	75.68	210.9	72.30	210.2	70.11	205.3	68.83	199.8	66.82	185.5	63.76
	-9.8	-11	219.3	73.10	219.3	69.93	211.8	67.84	206.4	66.50	199.8	64.57	185.5	61.55
	-9.5	-10	220.7	72.74	220.7	69.57	212.3	67.50	206.4	66.17	199.8	64.23	185.5	61.22
	-8.5	-9.1	226.1	71.45	224.4	68.38	212.8	66.35	206.4	64.99	199.8	63.10	185.5	60.12
	-7.0	-7.6	237.8	69.53	226.1	66.62	212.8	64.63	206.4	63.26	199.8	61.41	185.5	58.46
	-5.0	-5.6	240.4	66.97	226.1	64.24	212.8	62.37	206.4	60.94	199.8	59.15	185.5	56.25
	-3.0	-3.7	240.4	64.42	226.1	61.87	212.8	60.09	206.4	58.61	199.8	56.90	185.5	54.05
	0.0	-0.7	240.4	60.57	226.1	58.32	212.8	56.66	206.4	55.14	199.8	53.51	185.5	50.74
	3.0	2.2	240.4	56.72	226.1	54.77	212.8	53.25	206.4	51.66	199.8	50.13	185.5	47.44
	5.0	4.1	240.4	54.17	226.1	52.39	212.8	50.95	206.4	49.34	199.8	47.87	185.5	45.22
	7.0	6	240.4	51.61	226.1	50.02	212.8	48.67	206.4	47.01	199.8	45.62	185.5	43.01
	9.0	7.9	240.4	49.20	226.1	47.68	212.8	46.40	206.4	44.81	199.8	43.47	185.5	41.00
	11.0	9.8	240.4	46.78	226.1	45.33	212.8	44.11	206.4	42.61	199.8	41.34	185.5	38.99
	13.0	11.8	240.4	44.36	226.1	42.99	212.8	41.83	206.4	40.41	199.8	39.21	185.5	36.97
15.0	13.7	240.4	41.93	226.1	40.65	212.8	39.56	206.4	38.21	199.8	37.06	185.5	34.95	
80	-24.8	-25	141.1	65.47	141.1	66.49	140.3	67.21	140.3	67.56	140.3	69.26	138.0	66.35
	-21.8	-22	169.8	66.49	169.8	67.51	169.8	68.24	169.8	69.26	169.8	66.35	164.1	63.54
	-19.8	-20	178.7	67.18	178.7	68.19	178.7	69.26	178.7	67.21	175.7	64.41	165.8	61.67
	-18.8	-19	182.7	67.51	182.7	69.26	182.7	68.22	181.8	66.17	176.6	63.43	165.8	60.73
	-16.7	-17	188.5	69.26	188.5	67.09	188.5	66.03	183.9	64.02	178.1	61.38	165.8	58.78
	-13.7	-15	190.5	66.06	190.5	64.01	190.5	62.92	184.7	60.95	178.1	58.49	165.8	55.98
	-11.8	-13	195.2	64.02	190.9	62.04	190.5	60.95	184.7	58.99	178.1	56.64	165.8	54.20
	-9.8	-11	203.6	61.89	197.9	59.98	190.5	58.87	184.7	56.94	178.1	54.70	165.8	52.35
	-9.5	-10	204.9	61.57	199.0	59.69	190.5	58.57	184.7	56.63	178.1	54.42	165.8	52.07
	-8.5	-9.1	209.0	60.49	202.8	58.65	190.5	57.53	184.7	55.60	178.1	53.44	165.8	51.13
	-7.0	-7.6	215.2	58.90	202.8	57.10	190.5	55.97	184.7	54.07	178.1	51.97	165.8	49.73
	-5.0	-5.6	215.2	56.77	202.8	55.04	190.5	53.89	184.7	52.01	178.1	50.05	165.8	47.86
	-3.0	-3.7	215.2	54.62	202.8	52.99	190.5	51.80	184.7	49.95	178.1	48.11	165.8	46.01
	0.0	-0.7	215.2	51.44	202.8	49.89	190.5	48.70	184.7	46.88	178.1	45.19	165.8	43.20
	3.0	2.2	215.2	48.24	202.8	46.80	190.5	45.56	184.7	43.80	178.1	42.27	165.8	40.39
	5.0	4.1	215.2	46.09	202.8	44.74	190.5	43.50	184.7	41.76	178.1	40.32	165.8	38.54
	7.0	6	215.2	43.96	202.8	42.68	190.5	41.42	184.7	39.71	178.1	38.40	165.8	36.67
	9.0	7.9	215.2	41.28	202.8	40.08	190.5	38.89	184.7	37.28	178.1	36.05	165.8	34.42
	11.0	9.8	215.2	38.30	202.8	37.20	190.5	36.09	184.7	34.59	178.1	33.46	165.8	31.95
	13.0	11.8	215.2	35.76	202.8	34.71	190.5	33.69	184.7	32.29	178.1	31.23	165.8	29.82
15.0	13.7	215.2	33.66	202.8	32.68	190.5	31.73	184.7	30.40	178.1	29.41	165.8	28.07	

Notes:

1. TC: Total Capacity(kW) PI : Power Input(kW)(Comp. + Outdoor fan motor)
2. Capacity tables show the average value of conditions which may occur.
3. ■■■ is shown as reference. When selecting the outdoor units, avoid the outdoor air temperature range shown by ■■■ .

7. Capacity Tables

Heating Capacity(74HP)

Outdoor Units

Combination (%)	Outdoor air temp		Indoor air temp. °C DB											
			16		18		20		21		22		24	
	°C DB	°C WB	TC	PI	TC	PI	TC	PI	TC	PI	TC	PI	TC	PI
70	-24.8	-25	141.1	65.41	141.1	65.75	140.3	66.44	140.3	67.46	140.3	64.30	137.1	61.33
	-21.8	-22	162.1	66.44	162.3	66.79	161.2	67.46	156.6	64.30	151.8	61.33	141.8	58.46
	-19.8	-20	173.9	67.11	171.3	67.46	162.1	65.24	156.6	62.18	151.8	59.36	141.8	56.55
	-18.8	-19	178.8	67.46	172.2	66.31	162.1	64.13	156.6	61.12	151.8	58.35	141.8	55.59
	-16.7	-17	182.2	65.07	172.4	63.91	162.1	61.80	156.6	58.92	151.8	56.30	141.8	53.57
	-13.7	-15	182.5	61.69	172.4	60.47	162.1	58.47	156.6	55.74	151.8	53.33	141.8	50.70
	-11.8	-13	182.5	59.54	172.4	58.28	162.1	56.35	156.6	53.73	151.8	51.46	141.8	48.90
	-9.8	-11	182.5	57.28	172.4	55.99	162.1	54.15	156.6	51.64	151.8	49.48	141.8	46.99
	-9.5	-10	182.5	56.93	172.4	55.64	162.1	53.80	156.6	51.31	151.8	49.18	141.8	46.70
	-8.5	-9.1	182.5	55.82	172.4	54.49	162.1	52.70	156.6	50.25	151.8	48.19	141.8	45.74
	-7.0	-7.6	182.5	54.11	172.4	52.80	162.1	51.04	156.6	48.66	151.8	46.71	141.8	44.30
	-5.0	-5.6	182.5	51.85	172.4	50.50	162.1	48.81	156.6	46.57	151.8	44.74	141.8	42.39
	-3.0	-3.7	182.5	49.59	172.4	48.21	162.1	46.60	156.6	44.46	151.8	42.76	141.8	40.48
	0.0	-0.7	182.5	46.18	172.4	44.77	162.1	43.28	156.6	41.30	151.8	39.79	141.8	37.61
	3.0	2.2	182.5	42.81	172.4	41.32	162.1	39.95	156.6	38.12	151.8	36.84	141.8	34.75
	5.0	4.1	182.5	40.55	172.4	39.03	162.1	37.73	156.6	36.02	151.8	34.86	141.8	32.84
	7.0	6	182.5	38.27	172.4	36.74	162.1	35.51	156.6	33.91	151.8	32.89	141.8	30.91
	9.0	7.9	182.5	34.57	172.4	33.19	162.1	32.06	156.6	30.62	151.8	29.70	141.8	27.92
11.0	9.8	182.5	32.18	172.4	30.89	162.1	29.86	156.6	28.50	151.8	27.64	141.8	25.99	
13.0	11.8	182.5	30.11	172.4	28.91	162.1	27.93	156.6	26.67	151.8	25.86	141.8	24.31	
15.0	13.7	182.5	28.40	172.4	27.24	162.1	26.34	156.6	25.14	151.8	24.38	141.8	22.92	
60	-24.8	-25	137.7	64.59	137.7	65.29	136.7	66.30	133.1	62.91	129.4	59.72	121.5	56.73
	-21.8	-22	149.0	65.61	148.2	66.30	139.0	62.91	134.4	59.72	129.7	56.73	121.5	53.82
	-19.8	-20	156.6	66.30	148.2	63.91	139.0	60.64	134.4	57.59	129.7	54.73	121.5	51.89
	-18.8	-19	156.6	65.09	148.2	62.71	139.0	59.51	134.4	56.53	129.7	53.71	121.5	50.92
	-16.7	-17	156.6	62.57	148.2	60.19	139.0	57.13	134.4	54.31	129.7	51.62	121.5	48.90
	-13.7	-15	156.6	58.93	148.2	56.60	139.0	53.75	134.4	51.12	129.7	48.63	121.5	45.99
	-11.8	-13	156.6	56.65	148.2	54.33	139.0	51.59	134.4	49.09	129.7	46.74	121.5	44.16
	-9.8	-11	156.6	54.24	148.2	51.92	139.0	49.32	134.4	46.97	129.7	44.74	121.5	42.24
	-9.5	-10	156.6	53.86	148.2	51.57	139.0	49.00	134.4	46.65	129.7	44.43	121.5	41.95
	-8.5	-9.1	156.6	52.65	148.2	50.37	139.0	47.86	134.4	45.61	129.7	43.43	121.5	40.97
	-7.0	-7.6	156.6	50.85	148.2	48.58	139.0	46.16	134.4	44.01	129.7	41.94	121.5	39.53
	-5.0	-5.6	156.6	48.44	148.2	46.18	139.0	43.89	134.4	41.88	129.7	39.95	121.5	37.58
	-3.0	-3.7	156.6	46.03	148.2	43.79	139.0	41.65	134.4	39.76	129.7	37.95	121.5	35.66
	0.0	-0.7	156.6	42.41	148.2	40.18	139.0	38.24	134.4	36.58	129.7	34.94	121.5	32.77
	3.0	2.2	156.6	38.77	148.2	36.60	139.0	34.84	134.4	33.38	129.7	31.94	121.5	29.85
	5.0	4.1	156.6	36.36	148.2	34.19	139.0	32.59	134.4	31.26	129.7	29.95	121.5	27.93
	7.0	6	156.6	33.95	148.2	31.81	139.0	30.32	134.4	29.14	129.7	27.96	121.5	26.00
	9.0	7.9	156.6	30.29	148.2	28.37	139.0	27.06	134.4	26.01	129.7	24.94	121.5	23.21
11.0	9.8	156.6	28.29	148.2	26.51	139.0	25.27	134.4	24.27	129.7	23.29	121.5	21.65	
13.0	11.8	156.6	26.51	148.2	24.82	139.0	23.66	134.4	22.74	129.7	21.83	121.5	20.29	
15.0	13.7	156.6	25.06	148.2	23.46	139.0	22.37	134.4	21.50	129.7	20.62	121.5	19.18	
50	-24.8	-25	130.7	56.48	123.3	57.48	115.9	54.49	112.2	51.68	108.3	49.02	100.9	46.54
	-21.8	-22	130.7	57.48	123.3	54.49	115.9	51.68	112.2	49.02	108.3	46.54	100.9	44.15
	-19.8	-20	130.7	55.39	123.3	52.49	115.9	49.80	112.2	47.23	108.3	44.88	100.9	42.56
	-18.8	-19	130.7	54.34	123.3	51.49	115.9	48.86	112.2	46.36	108.3	44.05	100.9	41.76
	-16.7	-17	130.7	52.17	123.3	49.39	115.9	46.90	112.2	44.49	108.3	42.32	100.9	40.08
	-13.7	-15	130.7	49.03	123.3	46.37	115.9	44.09	112.2	41.84	108.3	39.85	100.9	37.69
	-11.8	-13	130.7	47.05	123.3	44.48	115.9	42.32	112.2	40.15	108.3	38.28	100.9	36.18
	-9.8	-11	130.7	44.95	123.3	42.46	115.9	40.44	112.2	38.38	108.3	36.62	100.9	34.59
	-9.5	-10	130.7	44.63	123.3	42.18	115.9	40.15	112.2	38.10	108.3	36.39	100.9	34.36
	-8.5	-9.1	130.7	43.58	123.3	41.17	115.9	39.21	112.2	37.22	108.3	35.56	100.9	33.57
	-7.0	-7.6	130.7	42.03	123.3	39.68	115.9	37.81	112.2	35.89	108.3	34.30	100.9	32.37
	-5.0	-5.6	130.7	39.94	123.3	37.66	115.9	35.93	112.2	34.12	108.3	32.67	100.9	30.76
	-3.0	-3.7	130.7	37.85	123.3	35.67	115.9	34.08	112.2	32.35	108.3	31.01	100.9	29.17
	0.0	-0.7	130.7	34.71	123.3	32.65	115.9	31.26	112.2	29.68	108.3	28.52	100.9	26.78
	3.0	2.2	130.7	31.57	123.3	29.65	115.9	28.45	112.2	27.01	108.3	26.06	100.9	24.40
	5.0	4.1	130.7	29.48	123.3	27.66	115.9	26.57	112.2	25.24	108.3	24.40	100.9	22.81
	7.0	6	130.7	27.39	123.3	25.64	115.9	24.70	112.2	23.46	108.3	22.74	100.9	21.22
	9.0	7.9	130.7	24.73	123.3	23.17	115.9	22.31	112.2	21.19	108.3	20.53	100.9	19.16
11.0	9.8	130.7	23.15	123.3	21.66	115.9	20.86	112.2	19.84	108.3	19.22	100.9	17.92	
13.0	11.8	130.7	21.73	123.3	20.35	115.9	19.59	112.2	18.61	108.3	18.03	100.9	16.83	
15.0	13.7	130.7	20.56	123.3	19.26	115.9	18.54	112.2	17.62	108.3	17.08	100.9	15.93	

Notes:

1. TC: Total Capacity(kW) PI : Power Input(kW)(Comp. + Outdoor fan motor)
2. Capacity tables show the average value of conditions which may occur.
3. ■■■ is shown as reference. When selecting the outdoor units, avoid the outdoor air temperature range shown by ■■■ .

7. Capacity Tables

ARUB760LTE4

Heating Capacity(76HP)

Combination (%)	Outdoor air temp		Indoor air temp. °C DB											
			16		18		20		21		22		24	
	°C DB	°C WB	TC	PI	TC	PI	TC	PI	TC	PI	TC	PI	TC	PI
130	-24.8	-25	153.6	80.6	153.6	81.00	152.4	81.34	152.4	81.84	152.4	82.34	149.6	83.10
	-21.8	-22	184.4	81.40	184.4	81.78	183.2	82.12	183.2	82.62	183.2	83.10	179.8	83.86
	-19.8	-20	193.6	81.90	193.6	82.28	192.2	82.62	192.2	83.12	192.2	83.60	188.6	84.38
	-18.8	-19	197.4	82.14	197.4	82.52	196.2	82.86	196.2	83.38	196.2	83.86	192.4	84.64
	-16.7	-17	205.8	82.68	205.8	83.08	204.4	83.40	204.4	83.92	204.4	84.40	200.6	85.16
	-13.7	-15	217.8	83.46	217.8	83.84	216.4	84.18	216.4	84.68	216.4	85.16	212.4	81.88
	-11.8	-13	224.8	83.94	224.8	84.32	223.4	84.66	223.4	85.16	223.4	85.64	219.6	79.76
	-9.8	-11	232.2	84.46	232.2	84.82	231.0	85.16	231.0	85.64	231.0	86.12	227.4	77.58
	-9.5	-10	233.6	84.52	233.6	84.92	232.2	85.24	232.2	85.72	232.2	86.20	228.6	77.24
	-8.5	-9.1	238.2	84.80	238.2	85.16	236.8	85.48	236.8	85.96	236.8	86.44	235.6	79.06
	-7.0	-7.6	245.0	85.16	245.0	85.52	243.6	85.84	243.6	86.32	243.6	86.80	243.6	79.76
	-5.0	-5.6	254.0	85.84	254.0	86.16	252.4	86.48	252.4	86.96	252.4	87.44	252.4	81.88
	-3.0	-3.7	263.0	86.50	263.0	86.82	261.4	87.14	261.4	87.62	261.4	88.10	261.4	83.10
	0.0	-0.7	276.4	87.16	276.4	87.48	274.8	87.80	274.8	88.32	274.8	88.80	274.8	84.38
	3.0	2.2	290.2	87.82	290.2	88.14	288.6	88.46	288.6	88.96	288.6	89.44	288.6	85.64
	5.0	4.1	299.2	88.16	299.2	88.48	297.6	88.80	297.6	89.32	297.6	89.80	297.6	86.92
	7.0	6	308.2	88.50	308.2	88.82	306.6	89.14	306.6	89.64	306.6	90.12	306.6	88.20
9.0	7.9	309.4	88.84	309.4	89.16	307.8	89.48	307.8	89.96	307.8	90.44	307.8	89.48	
11.0	9.8	309.4	89.18	309.4	89.50	307.8	89.82	307.8	90.32	307.8	90.80	307.8	90.76	
13.0	11.8	309.4	89.52	309.4	89.84	307.8	90.16	307.8	90.64	307.8	91.12	307.8	92.04	
15.0	13.7	309.4	89.86	309.4	90.18	307.8	90.50	307.8	91.00	307.8	91.48	307.8	92.32	
120	-24.8	-25	152.4	81.00	152.4	81.34	151.4	81.84	151.4	82.34	151.4	82.84	148.6	83.64
	-21.8	-22	183.2	81.78	183.2	82.12	182.0	82.62	182.0	83.10	182.0	83.58	178.6	84.40
	-19.8	-20	192.0	82.28	192.0	82.62	190.8	83.12	190.8	83.60	190.8	84.08	187.2	84.92
	-18.8	-19	196.0	82.52	196.0	82.86	194.8	83.38	194.8	83.86	194.8	84.34	191.2	85.16
	-16.7	-17	204.4	83.08	204.4	83.40	203.0	83.92	203.0	84.40	203.0	84.88	199.2	83.04
	-13.7	-15	216.2	83.84	216.2	84.18	215.0	84.68	215.0	85.16	215.0	85.64	210.8	80.00
	-11.8	-13	223.4	84.32	223.4	84.66	221.8	85.16	221.8	85.64	221.8	86.12	218.2	78.08
	-9.8	-11	230.6	84.82	230.6	85.16	229.2	85.64	229.2	86.12	229.2	86.58	225.8	76.06
	-9.5	-10	232.0	84.92	232.0	85.24	230.6	85.72	230.6	86.20	230.6	86.66	227.0	75.76
	-8.5	-9.1	236.4	85.16	236.4	85.52	235.0	86.00	235.0	86.48	235.0	86.96	234.8	76.50
	-7.0	-7.6	243.2	85.52	243.2	85.84	241.6	86.32	241.6	86.80	241.6	87.28	240.8	77.24
	-5.0	-5.6	252.2	86.16	252.2	86.48	250.6	86.96	250.6	87.44	250.6	87.92	249.4	78.00
	-3.0	-3.7	261.2	86.82	261.2	87.14	259.6	87.62	259.6	88.10	259.6	88.56	258.4	78.76
	0.0	-0.7	274.6	87.48	274.6	87.80	273.0	88.32	273.0	88.80	273.0	89.28	273.0	79.50
	3.0	2.2	288.2	88.14	288.2	88.46	286.6	88.96	286.6	89.44	286.6	89.92	286.6	80.24
	5.0	4.1	297.0	88.48	297.0	88.80	295.4	89.32	295.4	89.80	295.4	90.28	295.4	81.00
	7.0	6	306.0	88.82	306.0	89.14	304.4	89.64	304.4	90.12	304.4	90.60	304.4	81.76
9.0	7.9	307.0	89.16	307.0	89.48	305.4	89.96	305.4	90.44	305.4	90.92	305.4	82.52	
11.0	9.8	307.0	89.50	307.0	89.82	305.4	90.32	305.4	90.80	305.4	91.28	305.4	83.28	
13.0	11.8	307.0	89.84	307.0	90.16	305.4	90.64	305.4	91.12	305.4	91.60	305.4	84.04	
15.0	13.7	307.0	90.18	307.0	90.50	305.4	90.96	305.4	91.44	305.4	91.92	305.4	84.80	
110	-24.8	-25	151.6	81.34	151.6	81.68	150.6	82.18	150.6	82.68	150.6	83.18	147.8	83.90
	-21.8	-22	182.2	82.12	182.2	82.46	181.0	82.96	181.0	83.46	181.0	83.96	177.6	84.66
	-19.8	-20	191.0	82.62	191.0	82.96	189.8	83.46	189.8	83.96	189.8	84.46	186.0	85.16
	-18.8	-19	195.0	82.86	195.0	83.20	193.8	83.70	193.8	84.20	193.8	84.70	190.0	84.06
	-16.7	-17	203.2	83.40	203.2	83.74	201.8	84.24	201.8	84.74	201.8	85.24	198.0	81.70
	-13.7	-15	215.0	84.18	215.0	84.52	213.6	85.02	213.6	85.52	213.6	86.02	213.6	78.34
	-11.8	-13	222.0	84.66	222.0	85.00	220.6	85.50	220.6	86.00	220.6	86.50	220.6	76.22
	-9.8	-11	229.4	85.16	229.4	85.50	228.0	86.00	228.0	86.50	228.0	87.00	228.0	74.10
	-9.5	-10	230.6	85.26	230.6	85.60	229.4	86.10	229.4	86.60	229.4	87.10	229.4	73.84
	-8.5	-9.1	235.2	85.50	235.2	85.84	233.8	86.34	233.8	86.84	233.8	87.34	233.8	74.58
	-7.0	-7.6	242.0	85.86	242.0	86.20	240.4	86.70	240.4	87.20	240.4	87.70	240.4	75.32
	-5.0	-5.6	250.8	86.50	250.8	86.84	249.2	87.34	249.2	87.84	249.2	88.34	249.2	76.06
	-3.0	-3.7	259.6	87.14	259.6	87.48	258.2	87.98	258.2	88.48	258.2	88.98	258.2	76.80
	0.0	-0.7	273.0	87.80	273.0	88.14	271.4	88.64	271.4	89.14	271.4	89.64	271.4	77.54
	3.0	2.2	286.4	88.46	286.4	88.80	284.8	89.30	284.8	89.80	284.8	90.30	284.8	78.28
	5.0	4.1	295.2	88.80	295.2	89.14	293.6	89.64	293.6	90.14	293.6	90.64	293.6	79.02
	7.0	6	295.2	89.14	295.2	89.48	293.6	89.98	293.6	90.48	293.6	90.98	293.6	79.76
9.0	7.9	295.2	89.48	295.2	89.82	293.6	90.32	293.6	90.82	293.6	91.32	293.6	80.50	
11.0	9.8	295.2	89.82	295.2	90.16	293.6	90.66	293.6	91.16	293.6	91.66	293.6	81.24	
13.0	11.8	295.2	90.16	295.2	90.50	293.6	91.00	293.6	91.50	293.6	92.00	293.6	81.98	
15.0	13.7	295.2	90.50	295.2	90.84	293.6	91.34	293.6	91.84	293.6	92.34	293.6	82.72	

Notes:

1. TC: Total Capacity(kW) PI : Power Input(kW)(Comp. + Outdoor fan motor)
2. Capacity tables show the average value of conditions which may occur.
3. ■■■ is shown as reference. When selecting the outdoor units, avoid the outdoor air temperature range shown by ■■■.

7. Capacity Tables

Heating Capacity(76HP)

Outdoor Units

Combination (%)	Outdoor air temp		Indoor air temp. °C DB											
			16		18		20		21		22		24	
	°C DB	°C WB	TC	PI	TC	PI	TC	PI	TC	PI	TC	PI	TC	PI
100	-24.8	-25	150.8	86.88	150.8	86.64	150.0	81.34	150.0	86.08	150.0	85.86	147.0	85.74
	-21.8	-22	181.4	86.52	181.4	86.30	180.2	83.92	180.2	85.76	180.2	86.28	176.8	85.40
	-19.8	-20	190.2	86.30	190.2	86.08	189.0	85.48	189.0	85.52	189.0	85.54	185.4	85.16
	-18.8	-19	194.2	86.18	193.0	85.96	193.0	85.76	193.0	85.40	193.0	85.16	189.2	83.80
	-16.7	-17	201.0	85.96	201.0	85.72	201.0	86.28	200.0	85.16	200.0	82.36	196.2	80.94
	-13.7	-15	214.0	85.60	214.0	85.38	212.8	85.16	212.8	81.08	212.8	78.32	208.6	76.84
	-11.8	-13	220.8	85.40	219.6	85.16	219.6	82.42	219.6	78.48	219.6	75.78	208.6	74.26
	-9.8	-11	228.2	85.16	228.2	82.08	227.2	79.54	227.2	75.76	224.2	73.10	208.6	71.54
	-9.5	-10	229.4	84.68	229.4	81.62	228.4	79.10	228.4	75.36	224.2	72.70	208.6	71.14
	-8.5	-9.1	234.0	83.08	234.0	80.08	232.8	77.64	231.8	74.00	224.2	71.36	208.6	69.76
	-7.0	-7.6	244.6	80.64	243.6	77.78	239.4	75.50	231.8	71.94	224.2	69.34	208.6	67.72
	-5.0	-5.6	255.4	77.42	252.8	74.70	239.4	72.60	231.8	69.22	224.2	66.66	208.6	65.00
	-3.0	-3.7	262.6	74.20	254.6	71.62	239.4	69.72	231.8	66.48	224.2	63.98	208.6	62.28
	0.0	-0.7	270.2	69.34	254.6	67.00	239.4	65.36	231.8	62.40	224.2	59.96	208.6	58.18
	3.0	2.2	270.2	64.52	254.6	62.38	239.4	61.04	231.8	58.32	224.2	55.94	208.6	54.10
	5.0	4.1	270.2	61.28	254.6	59.32	239.4	58.16	231.8	55.60	224.2	53.26	208.6	51.36
	7.0	6	270.2	58.06	254.6	56.24	239.4	55.26	231.8	52.88	224.2	50.60	208.6	48.66
9.0	7.9	270.2	55.46	254.6	53.70	239.4	52.78	231.8	50.50	224.2	48.32	208.6	46.46	
11.0	9.8	270.2	53.32	254.6	51.64	239.4	50.74	231.8	48.54	224.2	46.46	208.6	44.66	
13.0	11.8	270.2	51.04	254.6	49.44	239.4	48.58	231.8	46.48	224.2	44.46	208.6	42.78	
15.0	13.7	270.2	48.64	254.6	47.12	239.4	46.30	231.8	44.28	224.2	42.38	208.6	40.76	
90	-24.8	-25	150.4	78.96	150.4	79.74	149.4	80.28	149.4	80.52	149.4	81.02	146.6	81.80
	-21.8	-22	180.6	79.74	180.6	80.50	179.4	81.02	179.4	81.30	179.4	81.80	176.0	78.26
	-19.8	-20	189.4	80.24	189.4	81.02	188.2	81.56	188.2	81.80	188.2	79.38	184.8	75.90
	-18.8	-19	194.2	80.50	193.0	81.26	192.2	81.80	192.2	80.56	192.2	78.16	188.4	74.72
	-16.7	-17	201.0	81.02	201.0	81.80	200.2	79.22	200.2	77.92	200.2	75.62	190.8	72.22
	-13.7	-15	214.0	81.80	214.0	77.94	212.0	75.54	212.0	74.20	205.6	72.00	190.8	68.68
	-11.8	-13	220.8	79.18	219.6	75.52	218.8	73.18	212.4	71.82	205.6	69.68	190.8	66.44
	-9.8	-11	228.2	76.38	228.2	72.96	219.0	70.72	212.4	69.32	205.6	67.26	190.8	64.08
	-9.5	-10	229.4	75.98	229.4	72.58	219.0	70.36	212.4	68.96	205.6	66.90	190.8	63.72
	-8.5	-9.1	234.0	74.58	232.2	71.28	219.0	69.12	212.4	67.68	205.6	65.68	190.8	62.54
	-7.0	-7.6	244.6	72.50	232.6	69.38	219.0	67.26	212.4	65.82	205.6	63.86	190.8	60.76
	-5.0	-5.6	247.4	69.72	232.6	66.80	219.0	64.82	212.4	63.32	205.6	61.44	190.8	58.40
	-3.0	-3.7	247.4	66.96	232.6	64.24	219.0	62.36	212.4	60.82	205.6	59.02	190.8	56.04
	0.0	-0.7	247.4	62.78	232.6	60.40	219.0	58.66	212.4	57.08	205.6	55.38	190.8	52.50
	3.0	2.2	247.4	58.60	232.6	56.56	219.0	54.98	212.4	53.34	205.6	51.74	190.8	48.96
	5.0	4.1	247.4	55.84	232.6	53.98	219.0	52.50	212.4	50.84	205.6	49.32	190.8	46.58
	7.0	6	247.4	53.06	232.6	51.42	219.0	50.04	212.4	48.34	205.6	46.90	190.8	44.22
9.0	7.9	247.4	50.46	232.6	48.90	219.0	47.58	212.4	45.96	205.6	44.58	190.8	42.04	
11.0	9.8	247.4	47.84	232.6	46.36	219.0	45.12	212.4	43.58	205.6	42.28	190.8	39.88	
13.0	11.8	247.4	45.24	232.6	43.84	219.0	42.66	212.4	41.20	205.6	39.98	190.8	37.70	
15.0	13.7	247.4	42.62	232.6	41.32	219.0	40.20	212.4	38.84	205.6	37.66	190.8	35.52	
80	-24.8	-25	149.6	69.70	149.6	70.46	148.8	71.00	148.8	71.26	148.8	72.54	145.8	69.42
	-21.8	-22	178.8	70.46	178.8	71.22	178.8	71.78	178.8	72.54	178.8	69.42	170.6	66.42
	-19.8	-20	187.4	70.98	187.4	71.74	187.4	72.54	187.4	70.34	183.2	67.34	170.6	64.42
	-18.8	-19	191.4	71.22	191.4	72.54	191.4	71.42	190.0	69.22	183.2	66.30	170.6	63.42
	-16.7	-17	196.0	72.54	196.0	70.20	196.0	69.06	190.0	66.92	183.2	64.10	170.6	61.34
	-13.7	-15	196.0	69.08	196.0	66.88	196.0	65.72	190.0	63.62	183.2	61.00	170.6	58.34
	-11.8	-13	202.0	66.88	196.8	64.76	196.0	63.60	190.0	61.52	183.2	59.02	170.6	56.44
	-9.8	-11	210.2	64.58	204.0	62.54	196.0	61.36	190.0	59.32	183.2	56.94	170.6	54.46
	-9.5	-10	211.4	64.22	205.0	62.22	196.0	61.04	190.0	58.98	183.2	56.64	170.6	54.16
	-8.5	-9.1	215.4	63.06	208.6	61.10	196.0	59.92	190.0	57.88	183.2	55.60	170.6	53.16
	-7.0	-7.6	221.4	61.34	208.6	59.42	196.0	58.24	190.0	56.24	183.2	54.02	170.6	51.66
	-5.0	-5.6	221.4	59.04	208.6	57.20	196.0	56.00	190.0	54.02	183.2	51.96	170.6	49.66
	-3.0	-3.7	221.4	56.72	208.6	55.00	196.0	53.76	190.0	51.82	183.2	49.88	170.6	47.68
	0.0	-0.7	221.4	53.28	208.6	51.66	196.0	50.42	190.0	48.52	183.2	46.76	170.6	44.68
	3.0	2.2	221.4	49.82	208.6	48.32	196.0	47.04	190.0	45.22	183.2	43.62	170.6	41.68
	5.0	4.1	221.4	47.50	208.6	46.10	196.0	44.82	190.0	43.02	183.2	41.54	170.6	39.70
	7.0	6	221.4	45.20	208.6	43.88	196.0	42.58	190.0	40.82	183.2	39.48	170.6	37.70
9.0	7.9	221.4	42.44	208.6	41.20	196.0	39.98	190.0	38.32	183.2	37.06	170.6	35.38	
11.0	9.8	221.4	39.38	208.6	38.24	196.0	37.10	190.0	35.56	183.2	34.40	170.6	32.84	
13.0	11.8	221.4	36.76	208.6	35.68	196.0	34.64	190.0	33.20	183.2	32.10	170.6	30.66	
15.0	13.7	221.4	34.60	208.6	33.60	196.0	32.62	190.0	31.26	183.2	30.24	170.6	28.86	

Notes:

1. TC: Total Capacity(kW) PI : Power Input(kW)(Comp. + Outdoor fan motor)
2. Capacity tables show the average value of conditions which may occur.
3. ■■■ is shown as reference. When selecting the outdoor units, avoid the outdoor air temperature range shown by ■■■ .

7. Capacity Tables

Heating Capacity(76HP)

Combination (%)	Outdoor air temp		Indoor air temp. °C DB											
			16		18		20		21		22		24	
	°C DB	°C WB	TC	PI	TC	PI	TC	PI	TC	PI	TC	PI	TC	PI
70	-24.8	-25	149.6	69.30	149.6	69.56	148.8	70.08	148.8	70.84	148.8	67.46	144.0	64.28
	-21.8	-22	168.0	70.08	168.0	70.34	166.8	70.84	161.2	67.46	156.2	64.28	145.8	61.20
	-19.8	-20	180.0	70.58	177.4	70.84	166.8	68.46	161.2	65.18	156.2	62.16	145.8	59.16
	-18.8	-19	185.2	70.84	177.4	69.60	166.8	67.26	161.2	64.04	156.2	61.08	145.8	58.14
	-16.7	-17	187.8	68.26	177.4	67.02	166.8	64.76	161.2	61.68	156.2	58.88	145.8	55.98
	-13.7	-15	187.8	64.62	177.4	63.32	166.8	61.18	161.2	58.28	156.2	55.70	145.8	52.92
	-11.8	-13	187.8	62.30	177.4	60.96	166.8	58.90	161.2	56.12	156.2	53.70	145.8	51.00
	-9.8	-11	187.8	59.86	177.4	58.50	166.8	56.54	161.2	53.88	156.2	51.58	145.8	48.96
	-9.5	-10	187.8	59.48	177.4	58.12	166.8	56.16	161.2	53.52	156.2	51.26	145.8	48.64
	-8.5	-9.1	187.8	58.28	177.4	56.88	166.8	54.98	161.2	52.38	156.2	50.20	145.8	47.62
	-7.0	-7.6	187.8	56.44	177.4	55.06	166.8	53.20	161.2	50.68	156.2	48.62	145.8	46.08
	-5.0	-5.6	187.8	54.00	177.4	52.58	166.8	50.80	161.2	48.44	156.2	46.50	145.8	44.04
	-3.0	-3.7	187.8	51.56	177.4	50.12	166.8	48.42	161.2	46.18	156.2	44.38	145.8	42.00
	0.0	-0.7	187.8	47.88	177.4	46.42	166.8	44.86	161.2	42.78	156.2	41.20	145.8	38.94
	3.0	2.2	187.8	44.24	177.4	42.70	166.8	41.28	161.2	39.38	156.2	38.04	145.8	35.88
	5.0	4.1	187.8	41.80	177.4	40.24	166.8	38.90	161.2	37.12	156.2	35.92	145.8	33.84
	7.0	6	187.8	39.34	177.4	37.78	166.8	36.50	161.2	34.86	156.2	33.82	145.8	31.78
	9.0	7.9	187.8	35.54	177.4	34.12	166.8	32.96	161.2	31.48	156.2	30.54	145.8	28.70
	11.0	9.8	187.8	33.08	177.4	31.76	166.8	30.70	161.2	29.30	156.2	28.42	145.8	26.72
	13.0	11.8	187.8	30.96	177.4	29.72	166.8	28.72	161.2	27.42	156.2	26.58	145.8	25.00
15.0	13.7	187.8	29.20	177.4	28.00	166.8	27.08	161.2	25.84	156.2	25.06	145.8	23.56	
60	-24.8	-25	144.0	68.66	144.0	69.18	143.0	69.94	138.2	66.28	133.4	62.86	125.0	59.64
	-21.8	-22	154.2	69.42	152.4	69.94	143.0	66.28	138.2	62.86	133.4	59.64	125.0	56.52
	-19.8	-20	161.2	69.94	152.4	67.36	143.0	63.84	138.2	60.56	133.4	57.50	125.0	54.46
	-18.8	-19	161.2	68.62	152.4	66.06	143.0	62.62	138.2	59.42	133.4	56.40	125.0	53.42
	-16.7	-17	161.2	65.90	152.4	63.34	143.0	60.06	138.2	57.04	133.4	54.16	125.0	51.26
	-13.7	-15	161.2	61.96	152.4	59.46	143.0	56.42	138.2	53.60	133.4	50.94	125.0	48.14
	-11.8	-13	161.2	59.48	152.4	57.02	143.0	54.08	138.2	51.42	133.4	48.92	125.0	46.18
	-9.8	-11	161.2	56.88	152.4	54.42	143.0	51.64	138.2	49.14	133.4	46.76	125.0	44.12
	-9.5	-10	161.2	56.46	152.4	54.04	143.0	51.30	138.2	48.80	133.4	46.44	125.0	43.82
	-8.5	-9.1	161.2	55.16	152.4	52.74	143.0	50.06	138.2	47.68	133.4	45.36	125.0	42.76
	-7.0	-7.6	161.2	53.20	152.4	50.80	143.0	48.24	138.2	45.96	133.4	43.76	125.0	41.22
	-5.0	-5.6	161.2	50.60	152.4	48.22	143.0	45.80	138.2	43.66	133.4	41.62	125.0	39.14
	-3.0	-3.7	161.2	47.98	152.4	45.64	143.0	43.38	138.2	41.38	133.4	39.48	125.0	37.08
	0.0	-0.7	161.2	44.06	152.4	41.74	143.0	39.70	138.2	37.96	133.4	36.24	125.0	33.98
	3.0	2.2	161.2	40.12	152.4	37.88	143.0	36.04	138.2	34.52	133.4	33.02	125.0	30.86
	5.0	4.1	161.2	37.52	152.4	35.28	143.0	33.62	138.2	32.24	133.4	30.88	125.0	28.80
	7.0	6	161.2	34.90	152.4	32.70	143.0	31.18	138.2	29.96	133.4	28.74	125.0	26.74
	9.0	7.9	161.2	31.14	152.4	29.16	143.0	27.82	138.2	26.74	133.4	25.64	125.0	23.86
	11.0	9.8	161.2	29.08	152.4	27.26	143.0	25.98	138.2	24.96	133.4	23.94	125.0	22.26
	13.0	11.8	161.2	27.26	152.4	25.52	143.0	24.32	138.2	23.38	133.4	22.44	125.0	20.86
15.0	13.7	161.2	25.76	152.4	24.12	143.0	23.00	138.2	22.10	133.4	21.20	125.0	19.72	
50	-24.8	-25	134.4	59.46	126.8	60.20	119.2	57.02	115.4	54.04	111.4	51.22	103.8	48.60
	-21.8	-22	134.4	60.20	126.8	57.02	119.2	54.04	115.4	51.22	111.4	48.60	103.8	46.06
	-19.8	-20	134.4	57.98	126.8	54.90	119.2	52.04	115.4	49.32	111.4	46.84	103.8	44.38
	-18.8	-19	134.4	56.86	126.8	53.84	119.2	51.04	115.4	48.40	111.4	45.96	103.8	43.54
	-16.7	-17	134.4	54.54	126.8	51.60	119.2	48.96	115.4	46.42	111.4	44.12	103.8	41.76
	-13.7	-15	134.4	51.20	126.8	48.40	119.2	45.98	115.4	43.60	111.4	41.50	103.8	39.24
	-11.8	-13	134.4	49.10	126.8	46.38	119.2	44.10	115.4	41.82	111.4	39.84	103.8	37.64
	-9.8	-11	134.4	46.86	126.8	44.24	119.2	42.10	115.4	39.94	111.4	38.08	103.8	35.96
	-9.5	-10	134.4	46.52	126.8	43.94	119.2	41.80	115.4	39.64	111.4	37.84	103.8	35.72
	-8.5	-9.1	134.4	45.40	126.8	42.86	119.2	40.80	115.4	38.70	111.4	36.96	103.8	34.88
	-7.0	-7.6	134.4	43.74	126.8	41.28	119.2	39.32	115.4	37.30	111.4	35.62	103.8	33.60
	-5.0	-5.6	134.4	41.52	126.8	39.14	119.2	37.32	115.4	35.42	111.4	33.90	103.8	31.90
	-3.0	-3.7	134.4	39.30	126.8	37.02	119.2	35.36	115.4	33.54	111.4	32.14	103.8	30.22
	0.0	-0.7	134.4	35.96	126.8	33.82	119.2	32.36	115.4	30.72	111.4	29.50	103.8	27.70
	3.0	2.2	134.4	32.62	126.8	30.62	119.2	29.38	115.4	27.88	111.4	26.90	103.8	25.18
	5.0	4.1	134.4	30.38	126.8	28.50	119.2	27.38	115.4	26.00	111.4	25.14	103.8	23.50
	7.0	6	134.4	28.16	126.8	26.36	119.2	25.40	115.4	24.12	111.4	23.38	103.8	21.82
	9.0	7.9	134.4	25.42	126.8	23.82	119.2	22.94	115.4	21.78	111.4	21.10	103.8	19.70
	11.0	9.8	134.4	23.80	126.8	22.26	119.2	21.44	115.4	20.40	111.4	19.76	103.8	18.42
	13.0	11.8	134.4	22.34	126.8	20.92	119.2	20.14	115.4	19.14	111.4	18.54	103.8	17.30
15.0	13.7	134.4	21.14	126.8	19.80	119.2	19.06	115.4	18.12	111.4	17.56	103.8	16.38	

Notes:

1. TC: Total Capacity(kW) PI : Power Input(kW)(Comp. + Outdoor fan motor)
2. Capacity tables show the average value of conditions which may occur.
3. ■■■ is shown as reference. When selecting the outdoor units, avoid the outdoor air temperature range shown by ■■■.

7. Capacity Tables

ARUB780LTE4

Heating Capacity(78HP)

Outdoor Units

Combination (%)	Outdoor air temp		Indoor air temp. °C DB											
			16		18		20		21		22		24	
	°C DB	°C WB	TC	PI	TC	PI	TC	PI	TC	PI	TC	PI	TC	PI
130	-24.8	-25	155.8	83.1	155.8	83.46	154.6	83.75	154.6	84.18	154.6	84.61	151.8	85.25
	-21.8	-22	188.2	83.80	188.2	84.13	187.0	84.42	187.0	84.85	187.0	85.25	183.5	85.91
	-19.8	-20	198.2	84.23	198.2	84.56	196.7	84.85	196.7	85.28	196.7	85.68	193.1	86.35
	-18.8	-19	202.1	84.43	202.1	84.76	200.9	85.05	200.9	85.49	200.9	85.91	197.0	86.58
	-16.7	-17	210.9	84.90	210.9	85.24	209.6	85.52	209.6	85.96	209.6	86.38	205.7	87.02
	-13.7	-15	223.5	85.57	223.5	85.90	222.2	86.19	222.2	86.62	222.2	87.02	218.0	83.78
	-11.8	-13	230.8	85.97	230.8	86.30	229.3	86.59	229.3	87.02	229.3	87.45	225.6	81.68
	-9.8	-11	238.3	86.43	238.3	86.73	237.1	87.02	237.1	87.45	237.1	87.88	233.7	79.53
	-9.5	-10	239.8	86.48	239.8	86.82	238.3	86.68	238.3	87.11	238.3	87.54	234.9	79.20
	-8.5	-9.1	244.5	86.72	244.5	87.02	243.0	85.49	243.0	85.91	243.0	86.33	239.0	78.11
	-7.0	-7.6	251.5	87.02	251.5	85.28	250.0	83.69	250.0	84.11	250.0	84.54	245.2	76.46
	-5.0	-5.6	260.6	84.80	260.6	82.97	259.0	81.31	259.0	81.74	259.0	82.17	253.2	74.28
	-3.0	-3.7	269.9	82.55	269.9	80.62	268.3	78.94	268.3	79.37	268.3	79.80	261.3	72.13
	0.0	-0.7	283.6	79.17	283.6	77.15	282.0	75.34	282.0	75.77	282.0	76.20	273.5	68.85
	3.0	2.2	297.7	75.80	297.7	73.65	295.7	71.77	295.7	72.20	295.7	72.63	277.3	65.58
	5.0	4.1	307.0	73.55	307.0	71.33	305.1	69.39	305.1	69.82	305.1	70.25	277.3	63.40
	7.0	6	316.1	71.30	316.1	69.02	314.1	67.01	308.8	65.04	298.0	63.11	277.3	61.22
	9.0	7.9	317.5	69.45	317.5	67.22	316.7	65.28	308.8	63.36	298.0	61.47	277.3	59.65
11.0	9.8	317.5	68.22	317.5	66.02	316.7	64.10	308.8	62.25	298.0	60.40	277.3	58.56	
13.0	11.8	317.5	66.89	317.5	64.71	316.7	62.83	308.8	61.02	298.0	59.22	277.3	57.42	
15.0	13.7	317.5	65.45	317.5	63.35	316.7	61.48	308.8	59.71	298.0	57.92	277.3	56.19	
120	-24.8	-25	154.6	83.46	154.6	83.75	153.5	84.18	153.5	84.61	153.5	85.04	150.7	85.72
	-21.8	-22	187.0	84.13	187.0	84.42	185.8	84.85	185.8	85.28	185.8	85.71	182.3	86.38
	-19.8	-20	196.6	84.56	196.6	84.85	195.4	85.28	195.4	85.71	195.4	86.14	191.6	86.82
	-18.8	-19	200.8	84.76	200.8	85.05	199.6	85.49	199.6	85.91	199.6	86.33	195.8	87.02
	-16.7	-17	209.6	85.24	209.6	85.52	208.1	85.96	208.1	86.38	208.1	86.81	204.2	84.92
	-13.7	-15	221.9	85.90	221.9	86.19	220.7	86.62	220.7	87.05	220.7	87.48	216.4	81.92
	-11.8	-13	229.3	86.30	229.3	86.59	227.7	87.02	227.7	87.45	227.7	87.88	224.1	80.02
	-9.8	-11	236.7	86.73	236.7	87.02	235.2	86.61	235.2	87.05	235.2	87.48	232.1	78.03
	-9.5	-10	238.2	86.82	238.2	86.65	236.7	84.24	236.7	84.67	236.7	85.10	233.3	77.72
	-8.5	-9.1	242.6	87.02	242.6	85.35	241.4	83.02	241.4	83.45	241.4	83.88	237.5	76.71
	-7.0	-7.6	249.6	85.12	249.6	83.43	248.0	81.19	248.0	81.62	248.0	82.05	243.3	75.21
	-5.0	-5.6	258.9	82.58	258.9	80.85	257.1	78.75	257.1	79.18	257.1	79.61	251.6	73.22
	-3.0	-3.7	268.0	80.00	268.0	78.28	266.4	76.32	266.4	76.75	266.4	77.18	259.7	71.21
	0.0	-0.7	281.7	76.18	281.7	74.44	280.1	72.66	280.1	73.09	280.1	73.52	269.6	68.21
	3.0	2.2	295.7	72.37	295.7	70.57	293.7	69.03	289.4	67.58	280.4	66.50	260.5	65.21
	5.0	4.1	304.7	69.82	304.7	68.00	299.5	66.59	289.4	65.26	280.4	64.40	260.5	63.20
	7.0	6	314.0	67.24	311.6	65.43	299.5	64.15	289.4	62.91	280.4	62.33	260.5	61.21
	9.0	7.9	315.1	65.34	311.6	63.56	299.5	62.32	289.4	61.13	280.4	60.55	260.5	59.47
11.0	9.8	315.1	64.00	311.6	62.27	299.5	61.04	289.4	59.88	280.4	59.31	260.5	58.26	
13.0	11.8	315.1	62.58	311.6	60.89	299.5	59.67	289.4	58.55	280.4	57.98	260.5	56.94	
15.0	13.7	315.1	61.05	311.6	59.37	299.5	58.21	289.4	57.10	280.4	56.57	260.5	55.54	
110	-24.8	-25	153.8	83.75	153.8	84.18	152.7	84.61	152.7	85.04	152.7	85.47	149.9	85.95
	-21.8	-22	185.9	84.42	185.9	84.85	184.7	85.28	184.7	85.71	184.7	86.14	181.2	86.59
	-19.8	-20	195.5	84.85	195.5	85.28	194.3	85.71	194.3	86.14	194.3	86.57	190.4	87.02
	-18.8	-19	199.7	85.05	199.7	85.49	198.5	85.91	198.5	86.33	198.5	86.76	194.6	85.93
	-16.7	-17	208.4	85.52	208.4	85.96	206.9	86.38	206.9	86.81	206.9	87.24	203.0	83.59
	-13.7	-15	220.7	86.19	220.7	86.62	219.2	87.05	219.2	87.48	219.2	87.91	219.2	80.23
	-11.8	-13	227.8	86.59	227.8	87.02	226.5	86.95	226.5	87.38	226.5	87.81	226.5	78.13
	-9.8	-11	235.5	87.02	235.5	86.27	234.0	84.04	234.0	84.47	234.0	84.90	232.1	75.92
	-9.5	-10	236.7	86.57	236.7	85.86	235.5	84.65	235.5	85.08	235.5	85.51	234.4	75.56
	-8.5	-9.1	241.4	85.11	241.4	82.49	239.9	80.39	239.9	80.82	239.9	81.25	234.4	74.47
	-7.0	-7.6	248.4	82.88	248.4	80.43	246.8	78.45	246.8	78.88	246.8	79.31	234.4	72.79
	-5.0	-5.6	257.4	79.92	257.4	77.71	255.8	75.90	255.8	76.33	255.8	76.76	234.4	70.57
	-3.0	-3.7	266.4	76.97	266.4	74.96	264.9	73.32	259.8	71.28	251.1	69.89	234.4	68.33
	0.0	-0.7	280.1	72.51	280.1	70.84	268.7	69.49	259.8	67.85	251.1	66.63	234.4	64.99
	3.0	2.2	293.8	68.09	286.3	66.71	268.7	65.65	259.8	64.38	251.1	63.36	234.4	61.65
	5.0	4.1	303.0	65.13	286.3	63.96	268.7	63.10	259.8	62.08	251.1	61.19	234.4	59.44
	7.0	6	303.0	62.14	286.3	61.21	268.7	60.52	259.8	59.79	251.1	59.04	234.4	57.20
	9.0	7.9	303.0	60.13	286.3	59.21	268.7	58.55	259.8	57.85	251.1	57.09	234.4	55.35
11.0	9.8	303.0	58.62	286.3	57.73	268.7	57.08	259.8	56.39	251.1	55.66	234.4	53.93	
13.0	11.8	303.0	56.99	286.3	56.14	268.7	55.49	259.8	54.83	251.1	54.11	234.4	52.45	
15.0	13.7	303.0	55.27	286.3	54.43	268.7	53.82	259.8	53.17	251.1	52.48	234.4	50.87	

Notes:

1. TC: Total Capacity(kW) PI : Power Input(kW)(Comp. + Outdoor fan motor)
2. Capacity tables show the average value of conditions which may occur.
3. ■ is shown as reference. When selecting the outdoor units, avoid the outdoor air temperature range shown by ■.

7. Capacity Tables

Heating Capacity(78HP)

Combination (%)	Outdoor air temp		Indoor air temp. °C DB											
			16		18		20		21		22		24	
	°C DB	°C WB	TC	PI	TC	PI	TC	PI	TC	PI	TC	PI	TC	PI
100	-24.8	-25	153.0	90.56	153.0	90.08	152.2	83.75	152.2	88.92	152.2	88.45	149.1	88.21
	-21.8	-22	185.1	89.84	185.1	89.37	183.9	86.40	183.9	88.24	183.9	88.68	180.4	87.50
	-19.8	-20	194.7	89.37	194.7	88.92	193.5	88.00	193.5	87.76	193.5	87.59	189.7	87.02
	-18.8	-19	198.9	89.13	197.7	88.68	197.7	88.24	197.7	87.52	197.7	87.02	193.8	85.66
	-16.7	-17	206.1	88.66	206.1	88.18	206.1	88.68	205.0	87.02	205.0	84.22	201.1	82.79
	-13.7	-15	219.6	87.94	219.6	87.47	218.4	87.02	218.4	82.96	218.4	80.18	214.1	78.68
	-11.8	-13	226.6	87.50	225.4	87.02	225.4	84.29	225.4	80.36	225.4	77.63	214.1	76.09
	-9.8	-11	234.3	87.02	234.3	83.96	233.2	81.43	233.2	77.64	230.1	74.95	214.1	73.37
	-9.5	-10	235.5	86.54	235.5	83.51	234.4	80.99	234.4	77.24	230.1	74.55	214.1	72.97
	-8.5	-9.1	240.2	84.96	240.2	81.98	239.0	79.54	237.9	75.88	230.1	73.22	214.1	71.58
	-7.0	-7.6	251.1	82.54	250.0	79.69	245.7	77.41	237.9	73.83	230.1	71.19	214.1	69.54
	-5.0	-5.6	262.1	79.35	259.4	76.63	245.7	74.52	237.9	71.11	230.1	68.51	214.1	66.82
	-3.0	-3.7	269.5	76.16	261.3	73.57	245.7	71.66	237.9	68.38	230.1	65.83	214.1	64.08
	0.0	-0.7	277.3	71.35	261.3	68.98	245.7	67.32	237.9	64.30	230.1	61.80	214.1	59.97
	3.0	2.2	277.3	66.58	261.3	64.39	245.7	63.02	237.9	60.24	230.1	57.79	214.1	55.89
	5.0	4.1	277.3	63.36	261.3	61.34	245.7	60.16	237.9	57.52	230.1	55.11	214.1	53.14
	7.0	6	277.3	60.17	261.3	58.28	245.7	57.27	237.9	54.80	230.1	52.44	214.1	50.43
	9.0	7.9	277.3	57.79	261.3	55.95	245.7	54.99	237.9	52.61	230.1	50.34	214.1	48.41
11.0	9.8	277.3	55.88	261.3	54.12	245.7	53.17	237.9	50.87	230.1	48.69	214.1	46.81	
13.0	11.8	277.3	53.84	261.3	52.16	245.7	51.25	237.9	49.04	230.1	46.91	214.1	45.13	
15.0	13.7	277.3	51.70	261.3	50.08	245.7	49.21	237.9	47.06	230.1	45.05	214.1	43.32	
90	-24.8	-25	152.6	81.64	152.6	82.31	151.5	82.78	151.5	82.98	151.5	83.41	148.7	84.08
	-21.8	-22	184.3	82.31	184.3	82.97	183.1	83.41	183.1	83.65	183.1	84.08	179.6	80.47
	-19.8	-20	193.9	82.74	193.9	83.41	192.7	83.88	192.7	84.08	192.7	81.63	189.2	78.07
	-18.8	-19	198.9	82.97	197.7	83.61	196.9	84.08	196.9	82.82	196.9	80.38	193.0	76.88
	-16.7	-17	206.1	83.41	206.1	84.08	205.3	81.47	205.3	80.14	205.3	77.79	195.8	74.33
	-13.7	-15	219.6	84.08	219.6	80.17	217.6	77.73	217.6	76.36	211.0	74.12	195.8	70.72
	-11.8	-13	226.6	81.43	225.4	77.72	224.6	75.33	218.0	73.95	211.0	71.76	195.8	68.44
	-9.8	-11	234.3	78.59	234.3	75.12	224.7	72.84	218.0	71.40	211.0	69.31	195.8	66.04
	-9.5	-10	235.5	78.19	235.5	74.73	224.7	72.48	218.0	71.04	211.0	68.93	195.8	65.68
	-8.5	-9.1	240.2	76.77	238.3	73.42	224.7	71.22	218.0	69.74	211.0	67.70	195.8	64.47
	-7.0	-7.6	251.1	74.67	238.7	71.49	224.7	69.33	218.0	67.85	211.0	65.85	195.8	62.66
	-5.0	-5.6	253.9	71.86	238.7	68.88	224.7	66.85	218.0	65.32	211.0	63.38	195.8	60.26
	-3.0	-3.7	253.9	69.06	238.7	66.28	224.7	64.36	218.0	62.77	211.0	60.93	195.8	57.86
	0.0	-0.7	253.9	64.83	238.7	62.40	224.7	60.61	218.0	58.98	211.0	57.23	195.8	54.25
	3.0	2.2	253.9	60.60	238.7	58.50	224.7	56.87	218.0	55.17	211.0	53.53	195.8	50.66
	5.0	4.1	253.9	57.80	238.7	55.89	224.7	54.35	218.0	52.64	211.0	51.06	195.8	48.23
	7.0	6	253.9	54.99	238.7	53.29	224.7	51.86	218.0	50.09	211.0	48.61	195.8	45.83
	9.0	7.9	253.9	52.35	238.7	50.73	224.7	49.37	218.0	47.68	211.0	46.25	195.8	43.62
11.0	9.8	253.9	49.70	238.7	48.16	224.7	46.86	218.0	45.27	211.0	43.92	195.8	41.42	
13.0	11.8	253.9	47.06	238.7	45.60	224.7	44.37	218.0	42.86	211.0	41.59	195.8	39.21	
15.0	13.7	253.9	44.39	238.7	43.04	224.7	41.88	218.0	40.46	211.0	39.23	195.8	37.00	
80	-24.8	-25	151.8	72.13	151.8	72.77	151.0	73.24	151.0	73.47	151.0	74.57	147.9	71.39
	-21.8	-22	182.4	72.77	182.4	73.43	182.4	73.91	182.4	74.57	182.4	71.39	175.1	68.33
	-19.8	-20	191.9	73.23	191.9	73.87	191.9	74.57	191.9	72.33	188.0	69.27	175.1	66.29
	-18.8	-19	196.1	73.43	196.1	74.57	196.1	73.43	195.0	71.19	188.0	68.21	175.1	65.27
	-16.7	-17	201.2	74.57	201.2	72.18	201.2	71.03	195.0	68.84	188.0	65.97	175.1	63.15
	-13.7	-15	201.2	71.06	201.2	68.82	201.2	67.64	195.0	65.49	188.0	62.82	175.1	60.09
	-11.8	-13	206.8	68.82	201.6	66.66	201.2	65.48	195.0	63.36	188.0	60.81	175.1	58.16
	-9.8	-11	215.5	66.49	209.2	64.41	201.2	63.20	195.0	61.12	188.0	58.69	175.1	56.15
	-9.5	-10	216.7	66.13	210.3	64.09	201.2	62.88	195.0	60.77	188.0	58.38	175.1	55.84
	-8.5	-9.1	220.9	64.95	214.1	62.95	201.2	61.74	195.0	59.66	188.0	57.32	175.1	54.82
	-7.0	-7.6	227.3	63.21	214.1	61.25	201.2	60.04	195.0	57.98	188.0	55.71	175.1	53.29
	-5.0	-5.6	227.3	60.88	214.1	59.00	201.2	57.76	195.0	55.73	188.0	53.62	175.1	51.25
	-3.0	-3.7	227.3	58.52	214.1	56.76	201.2	55.48	195.0	53.49	188.0	51.50	175.1	49.24
	0.0	-0.7	227.3	55.04	214.1	53.37	201.2	52.09	195.0	50.14	188.0	48.32	175.1	46.18
	3.0	2.2	227.3	51.53	214.1	49.98	201.2	48.66	195.0	46.77	188.0	45.13	175.1	43.12
	5.0	4.1	227.3	49.17	214.1	47.73	201.2	46.41	195.0	44.55	188.0	43.01	175.1	41.11
	7.0	6	227.3	46.84	214.1	45.48	201.2	44.13	195.0	42.31	188.0	40.92	175.1	39.07
	9.0	7.9	227.3	43.98	214.1	42.70	201.2	41.43	195.0	39.72	188.0	38.41	175.1	36.67
11.0	9.8	227.3	40.81	214.1	39.64	201.2	38.45	195.0	36.86	188.0	35.66	175.1	34.04	
13.0	11.8	227.3	38.10	214.1	36.98	201.2	35.90	195.0	34.40	188.0	33.27	175.1	31.77	
15.0	13.7	227.3	35.86	214.1	34.82	201.2	33.81	195.0	32.39	188.0	31.34	175.1	29.91	

Notes:

1. TC: Total Capacity(kW) PI : Power Input(kW)(Comp. + Outdoor fan motor)
2. Capacity tables show the average value of conditions which may occur.
3. ■■■ is shown as reference. When selecting the outdoor units, avoid the outdoor air temperature range shown by ■■■.

7. Capacity Tables

Heating Capacity(78HP)

Combination (%)	Outdoor air temp		Indoor air temp. °C DB											
			16		18		20		21		22		24	
	°C DB	°C WB	TC	PI	TC	PI	TC	PI	TC	PI	TC	PI	TC	PI
70	-24.8	-25	151.8	71.49	151.8	71.72	151.0	72.16	151.0	72.82	151.0	69.37	147.0	66.12
	-21.8	-22	172.4	72.16	172.4	72.39	171.2	72.82	165.4	69.37	160.3	66.12	149.7	62.98
	-19.8	-20	186.0	72.59	182.1	72.82	171.2	70.39	165.4	67.05	160.3	63.96	149.7	60.90
	-18.8	-19	191.4	72.82	182.1	71.56	171.2	69.17	165.4	65.88	160.3	62.86	149.7	59.85
	-16.7	-17	192.7	70.19	182.1	68.93	171.2	66.62	165.4	63.48	160.3	60.62	149.7	57.65
	-13.7	-15	192.7	66.49	182.1	65.16	171.2	62.97	165.4	60.00	160.3	57.37	149.7	54.52
	-11.8	-13	192.7	64.13	182.1	62.76	171.2	60.65	165.4	57.80	160.3	55.33	149.7	52.56
	-9.8	-11	192.7	61.65	182.1	60.25	171.2	58.25	165.4	55.52	160.3	53.17	149.7	50.48
	-9.5	-10	192.7	61.26	182.1	59.86	171.2	57.86	165.4	55.16	160.3	52.85	149.7	50.16
	-8.5	-9.1	192.7	60.04	182.1	58.60	171.2	56.65	165.4	53.99	160.3	51.76	149.7	49.11
	-7.0	-7.6	192.7	58.16	182.1	56.75	171.2	54.84	165.4	52.26	160.3	50.15	149.7	47.54
	-5.0	-5.6	192.7	55.68	182.1	54.23	171.2	52.40	165.4	49.98	160.3	47.99	149.7	45.46
	-3.0	-3.7	192.7	53.20	182.1	51.72	171.2	49.97	165.4	47.67	160.3	45.83	149.7	43.38
	0.0	-0.7	192.7	49.46	182.1	47.95	171.2	46.35	165.4	44.21	160.3	42.58	149.7	40.25
	3.0	2.2	192.7	45.76	182.1	44.17	171.2	42.70	165.4	40.73	160.3	39.36	149.7	37.12
	5.0	4.1	192.7	43.28	182.1	41.66	171.2	40.27	165.4	38.44	160.3	37.20	149.7	35.04
	7.0	6	192.7	40.77	182.1	39.15	171.2	37.83	165.4	36.13	160.3	35.05	149.7	32.93
	9.0	7.9	192.7	36.83	182.1	35.36	171.2	34.16	165.4	32.62	160.3	31.65	149.7	29.75
11.0	9.8	192.7	34.28	182.1	32.92	171.2	31.81	165.4	30.37	160.3	29.45	149.7	27.70	
13.0	11.8	192.7	32.08	182.1	30.80	171.2	29.76	165.4	28.41	160.3	27.55	149.7	25.90	
15.0	13.7	192.7	30.26	182.1	29.02	171.2	28.06	165.4	26.78	160.3	25.97	149.7	24.42	
60	-24.8	-25	147.8	70.85	147.8	71.31	146.7	71.95	141.9	68.22	136.9	64.71	128.3	61.42
	-21.8	-22	158.3	71.51	156.4	71.95	146.7	68.22	141.9	64.71	136.9	61.42	128.3	58.22
	-19.8	-20	165.4	71.95	156.4	69.32	146.7	65.72	141.9	62.36	136.9	59.23	128.3	56.11
	-18.8	-19	165.4	70.61	156.4	67.99	146.7	64.47	141.9	61.19	136.9	58.10	128.3	55.05
	-16.7	-17	165.4	67.83	156.4	65.21	146.7	61.85	141.9	58.76	136.9	55.80	128.3	52.83
	-13.7	-15	165.4	63.80	156.4	61.25	146.7	58.13	141.9	55.24	136.9	52.51	128.3	49.63
	-11.8	-13	165.4	61.28	156.4	58.75	146.7	55.74	141.9	53.01	136.9	50.44	128.3	47.63
	-9.8	-11	165.4	58.62	156.4	56.09	146.7	53.24	141.9	50.67	136.9	48.24	128.3	45.52
	-9.5	-10	165.4	58.19	156.4	55.70	146.7	52.89	141.9	50.32	136.9	47.90	128.3	45.21
	-8.5	-9.1	165.4	56.86	156.4	54.37	146.7	51.63	141.9	49.18	136.9	46.80	128.3	44.12
	-7.0	-7.6	165.4	54.86	156.4	52.40	146.7	49.76	141.9	47.42	136.9	45.16	128.3	42.55
	-5.0	-5.6	165.4	52.20	156.4	49.75	146.7	47.26	141.9	45.07	136.9	42.97	128.3	40.41
	-3.0	-3.7	165.4	49.53	156.4	47.12	146.7	44.79	141.9	42.73	136.9	40.78	128.3	38.30
	0.0	-0.7	165.4	45.53	156.4	43.13	146.7	41.03	141.9	39.24	136.9	37.46	128.3	35.13
	3.0	2.2	165.4	41.50	156.4	39.18	146.7	37.28	141.9	35.72	136.9	34.17	128.3	31.93
	5.0	4.1	165.4	38.84	156.4	36.52	146.7	34.81	141.9	33.38	136.9	31.98	128.3	29.82
	7.0	6	165.4	36.17	156.4	33.89	146.7	32.31	141.9	31.04	136.9	29.79	128.3	27.71
	9.0	7.9	165.4	32.27	156.4	30.22	146.7	28.83	141.9	27.71	136.9	26.58	128.3	24.73
11.0	9.8	165.4	30.14	156.4	28.25	146.7	26.93	141.9	25.86	136.9	24.81	128.3	23.07	
13.0	11.8	165.4	28.25	156.4	26.44	146.7	25.20	141.9	24.23	136.9	23.26	128.3	21.61	
15.0	13.7	165.4	26.70	156.4	25.00	146.7	23.84	141.9	22.91	136.9	21.98	128.3	20.44	
50	-24.8	-25	138.0	61.25	130.2	61.88	122.4	58.63	118.5	55.58	114.3	52.71	106.5	50.02
	-21.8	-22	138.0	61.88	130.2	58.63	122.4	55.58	118.5	52.71	114.3	50.02	106.5	47.43
	-19.8	-20	138.0	59.61	130.2	56.47	122.4	53.54	118.5	50.76	114.3	48.22	106.5	45.71
	-18.8	-19	138.0	58.47	130.2	55.38	122.4	52.52	118.5	49.82	114.3	47.32	106.5	44.85
	-16.7	-17	138.0	56.11	130.2	53.10	122.4	50.40	118.5	47.79	114.3	45.44	106.5	43.02
	-13.7	-15	138.0	52.70	130.2	49.82	122.4	47.35	118.5	44.92	114.3	42.77	106.5	40.44
	-11.8	-13	138.0	50.55	130.2	47.77	122.4	45.43	118.5	43.09	114.3	41.06	106.5	38.80
	-9.8	-11	138.0	48.27	130.2	45.58	122.4	43.39	118.5	41.17	114.3	39.26	106.5	37.08
	-9.5	-10	138.0	47.92	130.2	45.27	122.4	43.08	118.5	40.86	114.3	39.02	106.5	36.84
	-8.5	-9.1	138.0	46.78	130.2	44.17	122.4	42.06	118.5	39.91	114.3	38.12	106.5	35.98
	-7.0	-7.6	138.0	45.09	130.2	42.56	122.4	40.54	118.5	38.47	114.3	36.75	106.5	34.68
	-5.0	-5.6	138.0	42.82	130.2	40.37	122.4	38.50	118.5	36.55	114.3	34.99	106.5	32.93
	-3.0	-3.7	138.0	40.55	130.2	38.21	122.4	36.50	118.5	34.63	114.3	33.19	106.5	31.21
	0.0	-0.7	138.0	37.14	130.2	34.93	122.4	33.44	118.5	31.74	114.3	30.49	106.5	28.63
	3.0	2.2	138.0	33.73	130.2	31.67	122.4	30.39	118.5	28.84	114.3	27.83	106.5	26.05
	5.0	4.1	138.0	31.45	130.2	29.51	122.4	28.35	118.5	26.92	114.3	26.03	106.5	24.33
	7.0	6	138.0	29.18	130.2	27.32	122.4	26.32	118.5	25.00	114.3	24.23	106.5	22.61
	9.0	7.9	138.0	26.35	130.2	24.69	122.4	23.77	118.5	22.57	114.3	21.87	106.5	20.41
11.0	9.8	138.0	24.66	130.2	23.07	122.4	22.22	118.5	21.14	114.3	20.48	106.5	19.09	
13.0	11.8	138.0	23.15	130.2	21.68	122.4	20.87	118.5	19.83	114.3	19.21	106.5	17.93	
15.0	13.7	138.0	21.91	130.2	20.52	122.4	19.75	118.5	18.78	114.3	18.20	106.5	16.97	

Notes:

1. TC: Total Capacity(kW) PI : Power Input(kW)(Comp. + Outdoor fan motor)
2. Capacity tables show the average value of conditions which may occur.
3. ■■■ is shown as reference. When selecting the outdoor units, avoid the outdoor air temperature range shown by ■■■ .

7. Capacity Tables

ARUB800LTE4

Heating Capacity(80HP)

Combination (%)	Outdoor air temp		Indoor air temp. °C DB											
			16		18		20		21		22		24	
	°C DB	°C WB	TC	PI	TC	PI	TC	PI	TC	PI	TC	PI	TC	PI
130	-24.8	-25	158.0	85.6	158.0	85.92	156.8	86.16	156.8	86.52	156.8	86.88	154.0	87.40
	-21.8	-22	192.0	86.20	192.0	86.48	190.8	86.72	190.8	87.08	190.8	87.40	187.2	87.96
	-19.8	-20	202.8	86.56	202.8	86.84	201.2	87.08	201.2	87.44	201.2	87.76	197.6	88.32
	-18.8	-19	206.8	86.72	206.8	87.00	205.6	87.24	205.6	87.60	205.6	87.96	201.6	88.52
	-16.7	-17	216.0	87.12	216.0	87.40	214.8	87.64	214.8	88.00	214.8	88.36	210.8	88.88
	-13.7	-15	229.2	87.68	229.2	87.96	228.0	88.20	228.0	88.56	228.0	88.88	223.6	89.68
	-11.8	-13	236.8	88.00	236.8	88.28	235.2	88.52	235.2	88.88	235.2	89.24	231.6	90.40
	-9.8	-11	244.4	88.40	244.4	88.64	243.2	88.88	243.2	89.24	243.2	89.60	240.0	91.20
	-9.5	-10	246.0	88.44	246.0	88.72	244.4	88.88	244.4	89.24	244.4	89.60	241.2	91.44
	-8.5	-9.1	250.8	88.64	250.8	88.88	249.2	89.04	249.2	89.40	249.2	89.76	246.0	92.16
	-7.0	-7.6	258.0	88.88	258.0	89.16	256.4	89.32	256.4	89.68	256.4	90.04	253.2	92.88
	-5.0	-5.6	267.2	89.36	267.2	89.64	265.6	89.80	265.6	90.16	265.6	90.52	262.4	93.60
	-3.0	-3.7	276.8	89.84	276.8	89.92	275.2	90.08	275.2	90.44	275.2	90.80	272.0	94.32
	0.0	-0.7	290.8	90.32	290.8	90.24	289.2	90.40	289.2	90.76	289.2	91.12	286.0	95.04
	3.0	2.2	305.2	90.80	305.2	90.32	303.6	90.48	303.6	90.84	303.6	91.20	290.4	95.76
	5.0	4.1	314.8	91.28	314.8	90.64	313.2	90.80	313.2	91.16	313.2	91.52	309.6	96.48
	7.0	6	324.0	91.76	324.0	90.96	322.4	91.12	322.4	91.44	322.4	91.80	315.6	97.20
9.0	7.9	325.6	92.00	325.6	91.20	324.8	91.36	324.8	91.68	324.8	92.00	321.6	97.92	
11.0	9.8	325.6	92.00	325.6	91.20	324.8	91.36	324.8	91.68	324.8	92.00	321.6	97.92	
13.0	11.8	325.6	92.00	325.6	91.20	324.8	91.36	324.8	91.68	324.8	92.00	321.6	97.92	
15.0	13.7	325.6	92.00	325.6	91.20	324.8	91.36	324.8	91.68	324.8	92.00	321.6	97.92	
120	-24.8	-25	156.8	85.92	156.8	86.16	155.6	86.52	155.6	86.88	155.6	87.24	152.8	87.80
	-21.8	-22	190.8	86.48	190.8	86.72	189.6	87.08	189.6	87.40	189.6	87.76	186.0	88.36
	-19.8	-20	201.2	86.84	201.2	87.08	200.0	87.44	200.0	87.76	200.0	88.12	196.4	88.92
	-18.8	-19	205.6	87.00	205.6	87.24	204.4	87.60	204.4	87.96	204.4	88.32	200.8	88.88
	-16.7	-17	214.8	87.40	214.8	87.64	213.2	88.00	213.2	88.36	213.2	88.72	209.2	89.44
	-13.7	-15	227.6	87.96	227.6	88.20	226.4	88.56	226.4	88.92	226.4	89.28	222.0	90.00
	-11.8	-13	235.2	88.28	235.2	88.52	233.6	88.88	233.6	89.24	233.6	89.60	230.0	90.56
	-9.8	-11	242.8	88.64	242.8	88.88	241.2	89.24	241.2	89.60	241.2	90.00	238.4	91.12
	-9.5	-10	244.4	88.72	244.4	88.96	242.8	89.32	242.8	89.68	242.8	90.04	239.6	91.36
	-8.5	-9.1	248.8	88.88	248.8	89.12	247.6	89.48	247.6	89.84	247.6	90.20	244.0	91.60
	-7.0	-7.6	256.0	89.04	256.0	89.36	254.4	89.72	254.4	90.04	254.4	90.36	250.0	91.84
	-5.0	-5.6	265.6	89.52	265.6	89.64	263.6	89.96	263.6	90.28	263.6	90.60	258.8	92.40
	-3.0	-3.7	274.8	89.84	274.8	89.96	273.2	90.28	273.2	90.60	273.2	90.92	267.2	92.96
	0.0	-0.7	288.8	90.32	288.8	90.44	287.2	90.76	287.2	91.08	287.2	91.40	276.0	93.52
	3.0	2.2	303.2	90.80	303.2	90.56	301.6	90.88	301.6	91.20	301.6	91.52	290.4	94.08
	5.0	4.1	312.4	91.28	312.4	90.80	310.8	91.16	310.8	91.48	310.8	91.80	298.8	94.64
	7.0	6	322.0	91.76	322.0	91.04	320.4	91.32	320.4	91.64	320.4	91.96	307.2	95.20
9.0	7.9	323.2	92.00	323.2	91.28	321.6	91.56	321.6	91.88	321.6	92.20	315.6	95.76	
11.0	9.8	323.2	92.00	323.2	91.28	321.6	91.56	321.6	91.88	321.6	92.20	315.6	95.76	
13.0	11.8	323.2	92.00	323.2	91.28	321.6	91.56	321.6	91.88	321.6	92.20	315.6	95.76	
15.0	13.7	323.2	92.00	323.2	91.28	321.6	91.56	321.6	91.88	321.6	92.20	315.6	95.76	
110	-24.8	-25	156.0	86.16	156.0	86.52	154.8	86.88	154.8	87.24	154.8	87.60	152.0	88.00
	-21.8	-22	189.6	86.72	189.6	87.08	188.4	87.40	188.4	87.76	188.4	88.12	184.8	88.52
	-19.8	-20	200.0	87.08	200.0	87.44	198.8	87.76	198.8	88.12	198.8	88.48	194.8	89.04
	-18.8	-19	204.4	87.24	204.4	87.60	203.2	87.96	203.2	88.32	203.2	88.68	199.2	89.60
	-16.7	-17	213.6	87.64	213.6	88.00	212.0	88.36	212.0	88.72	212.0	89.08	208.0	90.16
	-13.7	-15	226.4	88.20	226.4	88.56	224.8	88.92	224.8	89.28	224.8	89.64	220.8	90.72
	-11.8	-13	233.6	88.52	233.6	88.88	232.4	89.24	232.4	89.60	232.4	90.00	228.0	91.28
	-9.8	-11	241.6	88.88	241.6	89.16	240.0	89.52	240.0	89.88	240.0	90.24	238.4	91.84
	-9.5	-10	242.8	88.96	242.8	89.24	241.6	89.60	241.6	89.96	241.6	90.32	240.0	92.00
	-8.5	-9.1	247.6	89.12	247.6	89.48	246.0	89.84	246.0	90.20	246.0	90.56	244.0	92.24
	-7.0	-7.6	254.8	89.36	254.8	89.72	253.2	90.08	253.2	90.44	253.2	90.80	248.0	92.48
	-5.0	-5.6	264.0	89.84	264.0	89.96	262.4	90.28	262.4	90.60	262.4	90.92	256.8	93.04
	-3.0	-3.7	273.2	90.32	273.2	90.44	271.6	90.76	271.6	91.08	271.6	91.40	265.6	93.60
	0.0	-0.7	287.2	90.80	287.2	90.88	285.6	91.20	285.6	91.52	285.6	91.84	274.4	94.16
	3.0	2.2	301.2	91.28	301.2	91.04	299.6	91.44	299.6	91.76	299.6	92.08	283.2	94.72
	5.0	4.1	310.8	91.76	310.8	91.36	309.2	91.64	309.2	91.96	309.2	92.28	292.0	95.28
	7.0	6	310.8	91.76	310.8	91.36	309.2	91.64	309.2	91.96	309.2	92.28	292.0	95.28
9.0	7.9	310.8	91.76	310.8	91.36	309.2	91.64	309.2	91.96	309.2	92.28	292.0	95.28	
11.0	9.8	310.8	91.76	310.8	91.36	309.2	91.64	309.2	91.96	309.2	92.28	292.0	95.28	
13.0	11.8	310.8	91.76	310.8	91.36	309.2	91.64	309.2	91.96	309.2	92.28	292.0	95.28	
15.0	13.7	310.8	91.76	310.8	91.36	309.2	91.64	309.2	91.96	309.2	92.28	292.0	95.28	

Outdoor Units

Notes:

1. TC: Total Capacity(kW) PI: Power Input(kW)(Comp. + Outdoor fan motor)
2. Capacity tables show the average value of conditions which may occur.
3. ■■■ is shown as reference. When selecting the outdoor units, avoid the outdoor air temperature range shown by ■■■.

7. Capacity Tables

Heating Capacity(80HP)

Outdoor Units

Combination (%)	Outdoor air temp		Indoor air temp. °C DB											
			16		18		20		21		22		24	
	°C DB	°C WB	TC	PI	TC	PI	TC	PI	TC	PI	TC	PI	TC	PI
100	-24.8	-25	155.2	94.24	155.2	93.52	154.4	86.16	154.4	91.76	154.4	91.04	151.2	90.68
	-21.8	-22	188.8	93.16	188.8	92.44	187.6	88.88	187.6	90.72	187.6	91.08	184.0	89.60
	-19.8	-20	199.2	92.44	199.2	91.76	198.0	90.52	198.0	90.00	198.0	89.64	194.0	88.88
	-18.8	-19	203.6	92.08	202.4	91.40	202.4	90.72	202.4	89.64	202.4	88.88	198.4	87.52
	-16.7	-17	211.2	91.36	211.2	90.64	211.2	91.08	210.0	88.88	210.0	86.08	206.0	84.64
	-13.7	-15	225.2	90.28	225.2	89.56	224.0	88.88	224.0	84.84	224.0	82.04	219.6	80.52
	-11.8	-13	232.4	89.60	231.2	88.88	231.2	86.16	231.2	82.24	231.2	79.48	219.6	77.92
	-9.8	-11	240.4	88.88	240.4	85.84	239.2	83.32	239.2	79.52	236.0	76.80	219.6	75.20
	-9.5	-10	241.6	88.40	241.6	85.40	240.4	82.88	240.4	79.12	236.0	76.40	219.6	74.80
	-8.5	-9.1	246.4	86.84	246.4	83.88	245.2	81.44	244.0	77.76	236.0	75.08	219.6	73.40
	-7.0	-7.6	257.6	84.44	256.4	81.60	252.0	79.32	244.0	75.72	236.0	73.04	219.6	71.36
	-5.0	-5.6	268.8	81.28	266.0	78.56	252.0	76.44	244.0	73.00	236.0	70.36	219.6	68.64
	-3.0	-3.7	276.4	78.12	268.0	75.52	252.0	73.60	244.0	70.28	236.0	67.68	219.6	65.88
	0.0	-0.7	284.4	73.36	268.0	70.96	252.0	69.28	244.0	66.20	236.0	63.64	219.6	61.76
	3.0	2.2	284.4	68.64	268.0	66.40	252.0	65.00	244.0	62.16	236.0	59.64	219.6	57.68
	5.0	4.1	284.4	65.44	268.0	63.36	252.0	62.16	244.0	59.44	236.0	56.96	219.6	54.92
	7.0	6	284.4	62.28	268.0	60.32	252.0	59.28	244.0	56.72	236.0	54.28	219.6	52.20
	9.0	7.9	284.4	60.12	268.0	58.20	252.0	57.20	244.0	54.72	236.0	52.36	219.6	50.36
11.0	9.8	284.4	58.44	268.0	56.60	252.0	55.60	244.0	53.20	236.0	50.92	219.6	48.96	
13.0	11.8	284.4	56.64	268.0	54.88	252.0	53.92	244.0	51.60	236.0	49.36	219.6	47.48	
15.0	13.7	284.4	54.76	268.0	53.04	252.0	52.12	244.0	49.84	236.0	47.72	219.6	45.88	
90	-24.8	-25	154.8	84.32	154.8	84.88	153.6	85.28	153.6	85.44	153.6	85.80	150.8	86.36
	-21.8	-22	188.0	84.88	188.0	85.44	186.8	85.80	186.8	86.00	186.8	86.36	183.2	82.68
	-19.8	-20	198.4	85.24	198.4	85.80	197.2	86.20	197.2	86.36	197.2	83.88	193.6	80.24
	-18.8	-19	203.6	85.44	202.4	85.96	201.6	86.36	201.6	85.08	201.6	82.60	197.6	79.04
	-16.7	-17	211.2	85.80	211.2	86.36	210.4	83.72	210.4	82.36	210.4	79.96	200.8	76.44
	-13.7	-15	225.2	86.36	225.2	82.40	223.2	79.92	223.2	78.52	216.4	76.24	200.8	72.76
	-11.8	-13	232.4	83.68	231.2	79.92	230.4	77.48	223.6	76.08	216.4	73.84	200.8	70.44
	-9.8	-11	240.4	80.80	240.4	77.28	230.4	74.96	223.6	73.48	216.4	71.36	200.8	68.00
	-9.5	-10	241.6	80.40	241.6	76.88	230.4	74.60	223.6	73.12	216.4	70.96	200.8	67.64
	-8.5	-9.1	246.4	78.96	244.4	75.56	230.4	73.32	223.6	71.80	216.4	69.72	200.8	66.40
	-7.0	-7.6	257.6	76.84	244.8	73.60	230.4	71.40	223.6	69.88	216.4	67.84	200.8	64.56
	-5.0	-5.6	260.4	74.00	244.8	70.96	230.4	68.88	223.6	67.32	216.4	65.32	200.8	62.12
	-3.0	-3.7	260.4	71.16	244.8	68.32	230.4	66.36	223.6	64.72	216.4	62.84	200.8	59.68
	0.0	-0.7	260.4	66.88	244.8	64.40	230.4	62.56	223.6	60.88	216.4	59.08	200.8	56.00
	3.0	2.2	260.4	62.60	244.8	60.44	230.4	58.76	223.6	57.00	216.4	55.32	200.8	52.36
	5.0	4.1	260.4	59.76	244.8	57.80	230.4	56.20	223.6	54.44	216.4	52.80	200.8	49.88
	7.0	6	260.4	56.92	244.8	55.16	230.4	53.68	223.6	51.84	216.4	50.32	200.8	47.44
	9.0	7.9	260.4	54.24	244.8	52.56	230.4	51.16	223.6	49.40	216.4	47.92	200.8	45.20
11.0	9.8	260.4	51.56	244.8	49.96	230.4	48.60	223.6	46.96	216.4	45.56	200.8	42.96	
13.0	11.8	260.4	48.88	244.8	47.36	230.4	46.08	223.6	44.52	216.4	43.20	200.8	40.72	
15.0	13.7	260.4	46.16	244.8	44.76	230.4	43.56	223.6	42.08	216.4	40.80	200.8	38.48	
80	-24.8	-25	154.0	74.56	154.0	75.08	153.2	75.48	153.2	75.68	153.2	76.60	150.0	73.36
	-21.8	-22	186.0	75.08	186.0	75.64	186.0	76.04	186.0	76.60	186.0	73.36	179.6	70.24
	-19.8	-20	196.4	75.48	196.4	76.00	196.4	76.60	196.4	74.32	192.8	71.20	179.6	68.16
	-18.8	-19	200.8	75.64	200.8	76.60	200.8	75.44	200.0	73.16	192.8	70.12	179.6	67.12
	-16.7	-17	206.4	76.60	206.4	74.16	206.4	73.00	200.0	70.76	192.8	67.84	179.6	64.96
	-13.7	-15	206.4	73.04	206.4	70.76	206.4	69.56	200.0	67.36	192.8	64.64	179.6	61.84
	-11.8	-13	211.6	70.76	206.4	68.56	206.4	67.36	200.0	65.20	192.8	62.60	179.6	59.88
	-9.8	-11	220.8	68.40	214.4	66.28	206.4	65.04	200.0	62.92	192.8	60.44	179.6	57.84
	-9.5	-10	222.0	68.04	215.6	65.96	206.4	64.72	200.0	62.56	192.8	60.12	179.6	57.52
	-8.5	-9.1	226.4	66.84	219.6	64.80	206.4	63.56	200.0	61.44	192.8	59.04	179.6	56.48
	-7.0	-7.6	233.2	65.08	219.6	63.08	206.4	61.84	200.0	59.72	192.8	57.40	179.6	54.92
	-5.0	-5.6	233.2	62.72	219.6	60.80	206.4	59.52	200.0	57.44	192.8	55.28	179.6	52.84
	-3.0	-3.7	233.2	60.32	219.6	58.52	206.4	57.20	200.0	55.16	192.8	53.12	179.6	50.80
	0.0	-0.7	233.2	56.80	219.6	55.08	206.4	53.76	200.0	51.76	192.8	49.88	179.6	47.68
	3.0	2.2	233.2	53.24	219.6	51.64	206.4	50.28	200.0	48.32	192.8	46.64	179.6	44.56
	5.0	4.1	233.2	50.84	219.6	49.36	206.4	48.00	200.0	46.08	192.8	44.48	179.6	42.52
	7.0	6	233.2	48.48	219.6	47.08	206.4	45.68	200.0	43.80	192.8	42.36	179.6	40.44
	9.0	7.9	233.2	45.52	219.6	44.20	206.4	42.88	200.0	41.12	192.8	39.76	179.6	37.96
11.0	9.8	233.2	42.24	219.6	41.04	206.4	39.80	200.0	38.16	192.8	36.92	179.6	35.24	
13.0	11.8	233.2	39.44	219.6	38.28	206.4	37.16	200.0	35.60	192.8	34.44	179.6	32.88	
15.0	13.7	233.2	37.12	219.6	36.04	206.4	35.00	200.0	33.52	192.8	32.44	179.6	30.96	

Notes:

1. TC: Total Capacity(kW) PI : Power Input(kW)(Comp. + Outdoor fan motor)
2. Capacity tables show the average value of conditions which may occur.
3. ■ is shown as reference. When selecting the outdoor units, avoid the outdoor air temperature range shown by ■.

7. Capacity Tables

Heating Capacity(80HP)

Combination (%)	Outdoor air temp		Indoor air temp. °C DB											
			16		18		20		21		22		24	
	°C DB	°C WB	TC	PI	TC	PI	TC	PI	TC	PI	TC	PI	TC	PI
70	-24.8	-25	154.0	73.68	154.0	73.88	153.2	74.24	153.2	74.80	153.2	71.28	150.0	67.96
	-21.8	-22	176.8	74.24	176.8	74.44	175.6	74.80	169.6	71.28	164.4	67.96	153.6	64.76
	-19.8	-20	192.0	74.60	186.8	74.80	175.6	72.32	169.6	68.92	164.4	65.76	153.6	62.64
	-18.8	-19	197.6	74.80	186.8	73.52	175.6	71.08	169.6	67.72	164.4	64.64	153.6	61.56
	-16.7	-17	197.6	72.12	186.8	70.84	175.6	68.48	169.6	65.28	164.4	62.36	153.6	59.32
	-13.7	-15	197.6	68.36	186.8	67.00	175.6	64.76	169.6	61.72	164.4	59.04	153.6	56.12
	-11.8	-13	197.6	65.96	186.8	64.56	175.6	62.40	169.6	59.48	164.4	56.96	153.6	54.12
	-9.8	-11	197.6	63.44	186.8	62.00	175.6	59.96	169.6	57.16	164.4	54.76	153.6	52.00
	-9.5	-10	197.6	63.04	186.8	61.60	175.6	59.56	169.6	56.80	164.4	54.44	153.6	51.68
	-8.5	-9.1	197.6	61.80	186.8	60.32	175.6	58.32	169.6	55.60	164.4	53.32	153.6	50.60
	-7.0	-7.6	197.6	59.88	186.8	58.44	175.6	56.48	169.6	53.84	164.4	51.68	153.6	49.00
	-5.0	-5.6	197.6	57.36	186.8	55.88	175.6	54.00	169.6	51.52	164.4	49.48	153.6	46.88
	-3.0	-3.7	197.6	54.84	186.8	53.32	175.6	51.52	169.6	49.16	164.4	47.28	153.6	44.76
	0.0	-0.7	197.6	51.04	186.8	49.48	175.6	47.84	169.6	45.64	164.4	43.96	153.6	41.56
	3.0	2.2	197.6	47.28	186.8	45.64	175.6	44.12	169.6	42.08	164.4	40.68	153.6	38.36
	5.0	4.1	197.6	44.76	186.8	43.08	175.6	41.64	169.6	39.76	164.4	38.48	153.6	36.24
	7.0	6	197.6	42.20	186.8	40.52	175.6	39.16	169.6	37.40	164.4	36.28	153.6	34.08
	9.0	7.9	197.6	38.12	186.8	36.60	175.6	35.36	169.6	33.76	164.4	32.76	153.6	30.80
11.0	9.8	197.6	35.48	186.8	34.08	175.6	32.92	169.6	31.44	164.4	30.48	153.6	28.68	
13.0	11.8	197.6	33.20	186.8	31.88	175.6	30.80	169.6	29.40	164.4	28.52	153.6	26.80	
15.0	13.7	197.6	31.32	186.8	30.04	175.6	29.04	169.6	27.72	164.4	26.88	153.6	25.28	
60	-24.8	-25	151.6	73.04	151.6	73.44	150.4	73.96	145.6	70.16	140.4	66.56	131.6	63.20
	-21.8	-22	162.4	73.60	160.4	73.96	150.4	70.16	145.6	66.56	140.4	63.20	131.6	59.92
	-19.8	-20	169.6	73.96	160.4	71.28	150.4	67.60	145.6	64.16	140.4	60.96	131.6	57.76
	-18.8	-19	169.6	72.60	160.4	69.92	150.4	66.32	145.6	62.96	140.4	59.80	131.6	56.68
	-16.7	-17	169.6	69.76	160.4	67.08	150.4	63.64	145.6	60.48	140.4	57.44	131.6	54.40
	-13.7	-15	169.6	65.64	160.4	63.04	150.4	59.84	145.6	56.88	140.4	54.08	131.6	51.12
	-11.8	-13	169.6	63.08	160.4	60.48	150.4	57.40	145.6	54.60	140.4	51.96	131.6	49.08
	-9.8	-11	169.6	60.36	160.4	57.76	150.4	54.84	145.6	52.20	140.4	49.72	131.6	46.92
	-9.5	-10	169.6	59.92	160.4	57.36	150.4	54.48	145.6	51.84	140.4	49.36	131.6	46.60
	-8.5	-9.1	169.6	58.56	160.4	56.00	150.4	53.20	145.6	50.68	140.4	48.24	131.6	45.48
	-7.0	-7.6	169.6	56.52	160.4	54.00	150.4	51.28	145.6	48.88	140.4	46.56	131.6	43.88
	-5.0	-5.6	169.6	53.80	160.4	51.28	150.4	48.72	145.6	46.48	140.4	44.32	131.6	41.68
	-3.0	-3.7	169.6	51.08	160.4	48.60	150.4	46.20	145.6	44.08	140.4	42.08	131.6	39.52
	0.0	-0.7	169.6	47.00	160.4	44.52	150.4	42.36	145.6	40.52	140.4	38.68	131.6	36.28
	3.0	2.2	169.6	42.88	160.4	40.48	150.4	38.52	145.6	36.92	140.4	35.32	131.6	33.00
	5.0	4.1	169.6	40.16	160.4	37.76	150.4	36.00	145.6	34.52	140.4	33.08	131.6	30.84
	7.0	6	169.6	37.44	160.4	35.08	150.4	33.44	145.6	32.12	140.4	30.84	131.6	28.68
	9.0	7.9	169.6	33.40	160.4	31.28	150.4	29.84	145.6	28.68	140.4	27.52	131.6	25.60
11.0	9.8	169.6	31.20	160.4	29.24	150.4	27.88	145.6	26.76	140.4	25.68	131.6	23.88	
13.0	11.8	169.6	29.24	160.4	27.36	150.4	26.08	145.6	25.08	140.4	24.08	131.6	22.36	
15.0	13.7	169.6	27.64	160.4	25.88	150.4	24.68	145.6	23.72	140.4	22.76	131.6	21.16	
50	-24.8	-25	141.6	63.04	133.6	63.56	125.6	60.24	121.6	57.12	117.2	54.20	109.2	51.44
	-21.8	-22	141.6	63.56	133.6	60.24	125.6	57.12	121.6	54.20	117.2	51.44	109.2	48.80
	-19.8	-20	141.6	61.24	133.6	58.04	125.6	55.04	121.6	52.20	117.2	49.60	109.2	47.04
	-18.8	-19	141.6	60.08	133.6	56.92	125.6	54.00	121.6	51.24	117.2	48.68	109.2	46.16
	-16.7	-17	141.6	57.68	133.6	54.60	125.6	51.84	121.6	49.16	117.2	46.76	109.2	44.28
	-13.7	-15	141.6	54.20	133.6	51.24	125.6	48.72	121.6	46.24	117.2	44.04	109.2	41.64
	-11.8	-13	141.6	52.00	133.6	49.16	125.6	46.76	121.6	44.36	117.2	42.28	109.2	39.96
	-9.8	-11	141.6	49.68	133.6	46.92	125.6	44.68	121.6	42.40	117.2	40.44	109.2	38.20
	-9.5	-10	141.6	49.32	133.6	46.60	125.6	44.36	121.6	42.08	117.2	40.20	109.2	37.96
	-8.5	-9.1	141.6	48.16	133.6	45.48	125.6	43.32	121.6	41.12	117.2	39.28	109.2	37.08
	-7.0	-7.6	141.6	46.44	133.6	43.84	125.6	41.76	121.6	39.64	117.2	37.88	109.2	35.76
	-5.0	-5.6	141.6	44.12	133.6	41.60	125.6	39.68	121.6	37.68	117.2	36.08	109.2	33.96
	-3.0	-3.7	141.6	41.80	133.6	39.40	125.6	37.64	121.6	35.72	117.2	34.24	109.2	32.20
	0.0	-0.7	141.6	38.32	133.6	36.04	125.6	34.52	121.6	32.76	117.2	31.48	109.2	29.56
	3.0	2.2	141.6	34.84	133.6	32.72	125.6	31.40	121.6	29.80	117.2	28.76	109.2	26.92
	5.0	4.1	141.6	32.52	133.6	30.52	125.6	29.32	121.6	27.84	117.2	26.92	109.2	25.16
	7.0	6	141.6	30.20	133.6	28.28	125.6	27.24	121.6	25.88	117.2	25.08	109.2	23.40
	9.0	7.9	141.6	27.28	133.6	25.56	125.6	24.60	121.6	23.36	117.2	22.64	109.2	21.12
11.0	9.8	141.6	25.52	133.6	23.88	125.6	23.00	121.6	21.88	117.2	21.20	109.2	19.76	
13.0	11.8	141.6	23.96	133.6	22.44	125.6	21.60	121.6	20.52	117.2	19.88	109.2	18.56	
15.0	13.7	141.6	22.68	133.6	21.24	125.6	20.44	121.6	19.44	117.2	18.84	109.2	17.56	

Notes:

1. TC: Total Capacity(kW) PI : Power Input(kW)(Comp. + Outdoor fan motor)
2. Capacity tables show the average value of conditions which may occur.
3. ■■■ is shown as reference. When selecting the outdoor units, avoid the outdoor air temperature range shown by ■■■ .

8. Capacity Correction Factor

Notes

1. These figures illustrate the rate of change in capacity of a standard indoor unit system at maximum load under standard conditions. (Moreover, under partial load conditions there is only a minor deviation from the rate of change in capacity shown in the above figures.)
2. With this outside unit, evaporating pressure constant control when cooling, and condensing pressure constant control when heating is carried out.
3. If heat insulation of piping is insufficient, heat loss will become larger and capacity will decrease.
4. Method of calculating cooling / heating capacity : maximum cooling / heating capacity of outside units = cooling / heating capacity of outside units obtained from capacity table X capacity correction factor due to piping length to the farthest indoor unit
5. Equivalent piping length for Y Branch and other pipes can be calculated with following table.

mm (inch)	Ø6.35 (1/4)	Ø9.52 (3/8)	Ø12.7 (1/2)	Ø15.88 (5/8)	Ø19.05 (3/4)	Ø22.2 (7/8)	Ø25.4 (1)	Ø28.58 (1-1/8)	Ø31.8 (1-1/4)	Ø34.9 (1-3/8)	Ø38.1 (1-1/2)	Ø41.3 (1-5/8)	Ø44.5 (1-3/4)	Ø53.98 (2-1/8)
Elbow (m)	0.16	0.18	0.2	0.25	0.35	0.4	0.45	0.5	0.55	0.6	0.65	0.7	0.75	0.85
Y Branch (m)	0.5													
Header (m)	1													
HR unit (m)	2.5													

6. When the any one (or both) of below conditions are satisfied, the diameter of main pipe must be increased according to below table.
 - The equivalent length between outdoor unit and the farthest indoor unit is 90m or more (Liquid and Gas pipes are increased)
 - The level difference (Outdoor unit ↔ Indoor unit) is 50m or more (Only liquid pipe is increased)

Upward Outdoor unit total capacity	Standard Pipe Diameter			Increased Pipe Diameter		
	Liquid pipe [mm(inch)]	Low Pressure Gas pipe [mm(inch)]	High Pressure Gas pipe [mm(inch)]	Liquid pipe [mm(inch)]	Low Pressure Gas pipe [mm(inch)]	High Pressure Gas pipe [mm(inch)]
HP						
8	Ø 9.52(3/8)	Ø 19.05(3/4)	Ø 15.88(5/8)	Ø 12.7(1/2)	not increased	not increased
10	Ø 9.52(3/8)	Ø 22.2(7/8)	Ø 19.05(3/4)	Ø 12.7(1/2)	not increased	not increased
12	Ø 12.7(1/2)	Ø 28.58(1-1/8)	Ø 19.05(3/4)	Ø 15.88(5/8)	not increased	not increased
14~ 16	Ø 12.7(1/2)	Ø 28.58(1-1/8)	Ø 22.2(7/8)	Ø 15.88(5/8)	not increased	not increased
18 ~ 20	Ø 15.88(5/8)	Ø 28.58(1-1/8)	Ø 22.2(7/8)	Ø 19.05(3/4)	not increased	not increased
22 ~ 24	Ø 15.88(5/8)	Ø 34.9(1-3/8)	Ø 28.58(1-1/8)	Ø 19.05(3/4)	not increased	not increased
26 ~ 34	Ø 19.05(3/4)	Ø 34.9(1-3/8)	Ø 28.58(1-1/8)	Ø 22.2(7/8)	not increased	not increased
36	Ø 19.05(3/4)	Ø 41.3(1-5/8)	Ø 28.58(1-1/8)	Ø 22.2(7/8)	not increased	not increased
38 ~ 60	Ø 19.05(3/4)	Ø 41.3(1-5/8)	Ø 34.9(1-3/8)	Ø 22.2(7/8)	not increased	not increased
62 ~ 64	Ø 22.2(7/8)	Ø 44.5(1-3/4)	Ø 41.3(1-5/8)	Ø 25.4(1)	not increased	not increased
66 ~ 80	Ø 22.2(7/8)	Ø 53.98(2-1/8)	Ø 44.5(1-3/4)	Ø 25.4(1)	not increased	not increased

* If available on site, it use this size. Otherwise it can't be increased

7. Read cooling / heating capacity rate of change in the above figures based on the following equivalent length. : overall equivalent length = (equivalent length of main pipe) X correction factor + (equivalent length after first branching)

8. Capacity Correction Factor

• 8, 10, 12, 14, 16, 18, 20, 22, 24, 26, 28, 30, 32, 34HP

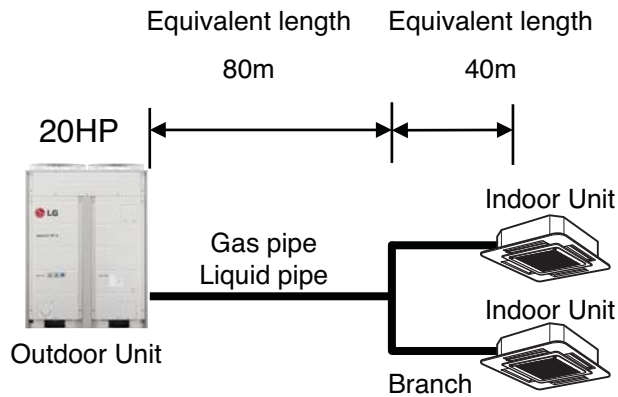
Rate of change (object piping)	Correction factor	
	standard size	size increase
Cooling(Gas pipe)	1.0	0.5
Heating(Liquid pipe)	1.0	0.2

• 36, 38, 40, 42, 44, 46, 48, 50, 52, 54, 56, 58, 60HP

Rate of change (object piping)	Correction factor	
	standard size	size increase
Cooling(Gas pipe)	1.0	0.5
Heating(Liquid pipe)	1.0	0.4

• 62, 64, 66, 68, 70, 72, 74, 76, 78, 80HP

Rate of change (object piping)	Correction factor	
	standard size	size increase
Cooling(Gas pipe)	1.0	-
Heating(Liquid pipe)	1.0	0.4



- (Cooling) Overall equivalent length = $80\text{ m} \times 0.5 + 40\text{ m} = 80\text{ m}$
- (Heating) Overall equivalent length = $80\text{ m} \times 0.2 + 40\text{ m} = 56\text{ m}$

The rate of change in

Cooling capacity when HU=0m is thus approximately 0.92

Heating capacity when HU=0m is thus approximately 1.00

8. Capacity Correction Factor

8.4 Defrosting Correction Factor for Heating Operation

The capacity table does not consider reduction in capacity when frost has accumulated or during defrosting.

The capacity values considered these factors, in other words the integrated heating capacity values, can be obtained as follows:

Formula

Integrated Heating capacity = A

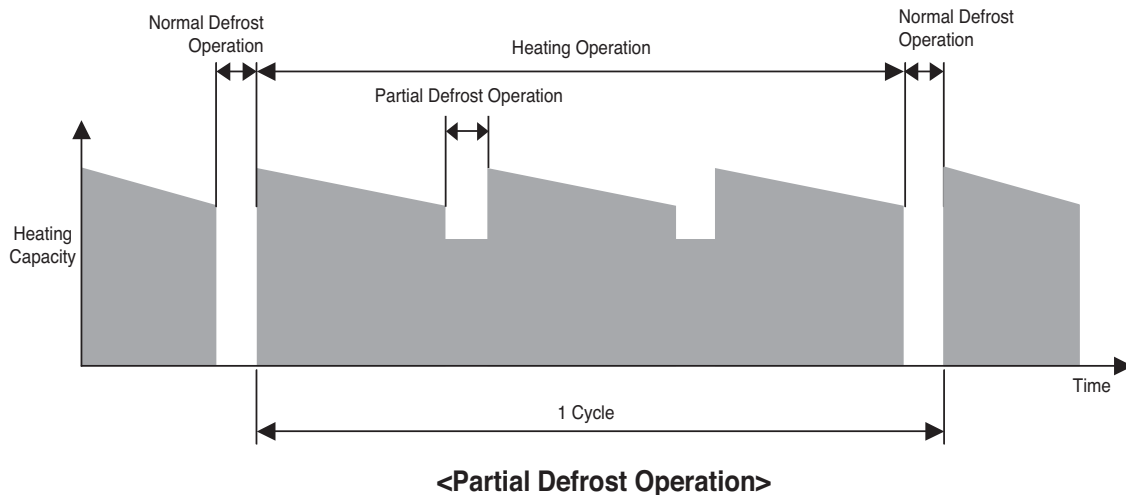
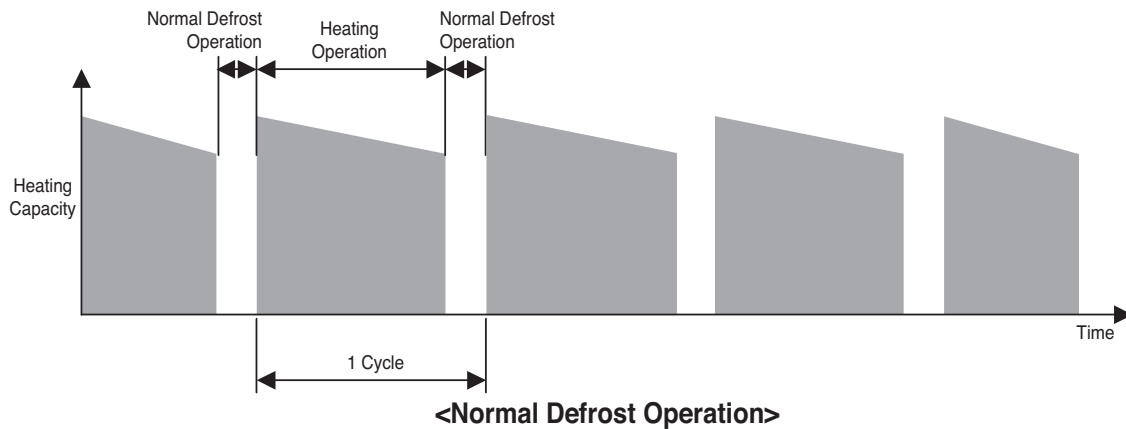
Value given in table of capacity characteristics = B

Integrated correction factor for frost accumulation = C

$A=B \times C$

Correction factor for finding integrated Heating capacity

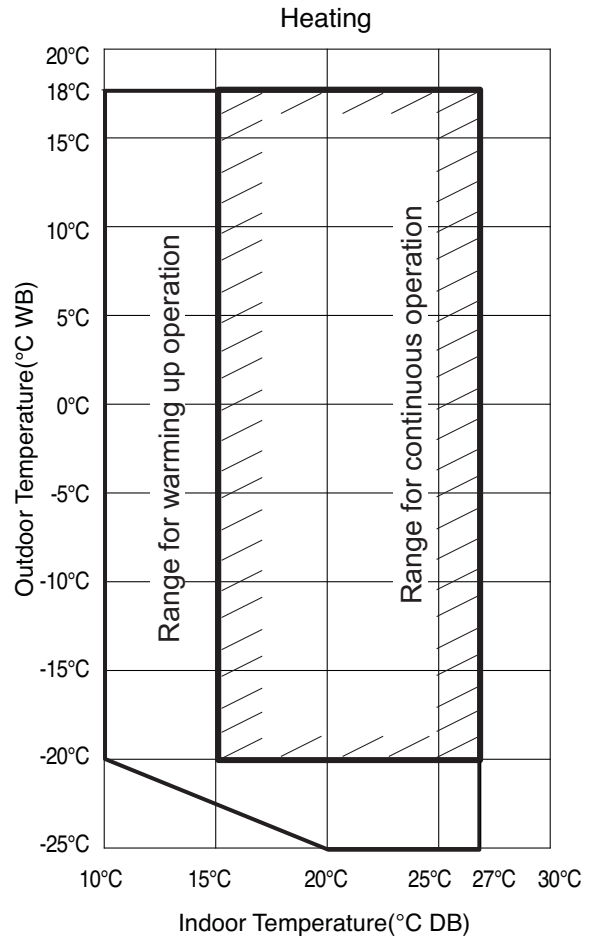
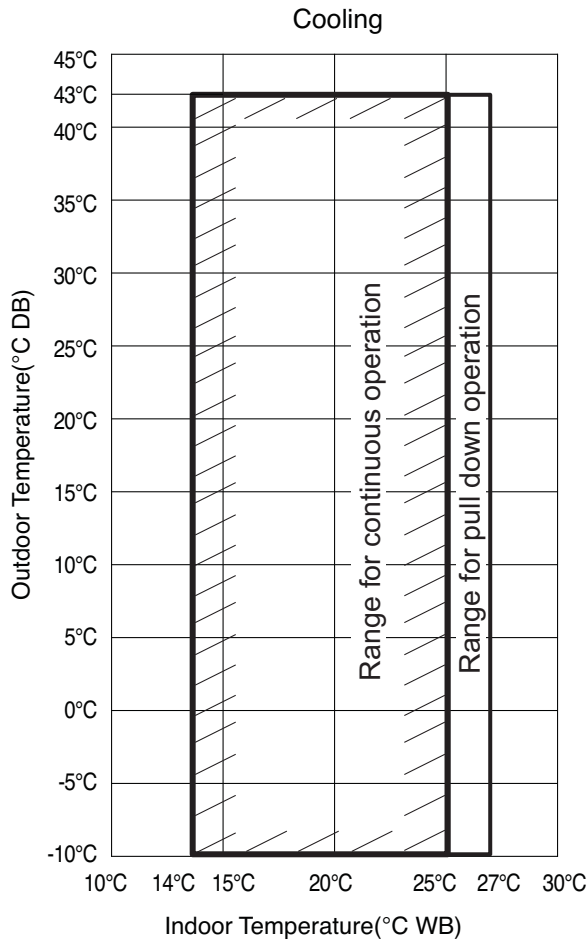
Inlet Port Temperature of Heat Exchange (*C/RH 85%)	-7	-5	-3	0	3	5	7
Integrated Correction Factor for Frost Accumulation (Normal Defrost Operation)	0.98	0.95	0.93	0.86	0.93	0.96	1.0
Integrated Correction Factor for Frost Accumulation (Partial Defrost Operation)	0.98	0.95	0.93	0.91	0.95	0.97	1.0



Please note that there will be temporary reduction in capacity when snow piles up on the outside surface of the outdoor unit heat exchanger. Of course, it will be different in degree depending on a number of other factors, for example, the outdoor temperature(°CDB), the relative humidity(RH) and the frosting amount.

9. Operation Limits

9.1 Cooling / Heating Operation



Notes:

These figures assume the following operating conditions:

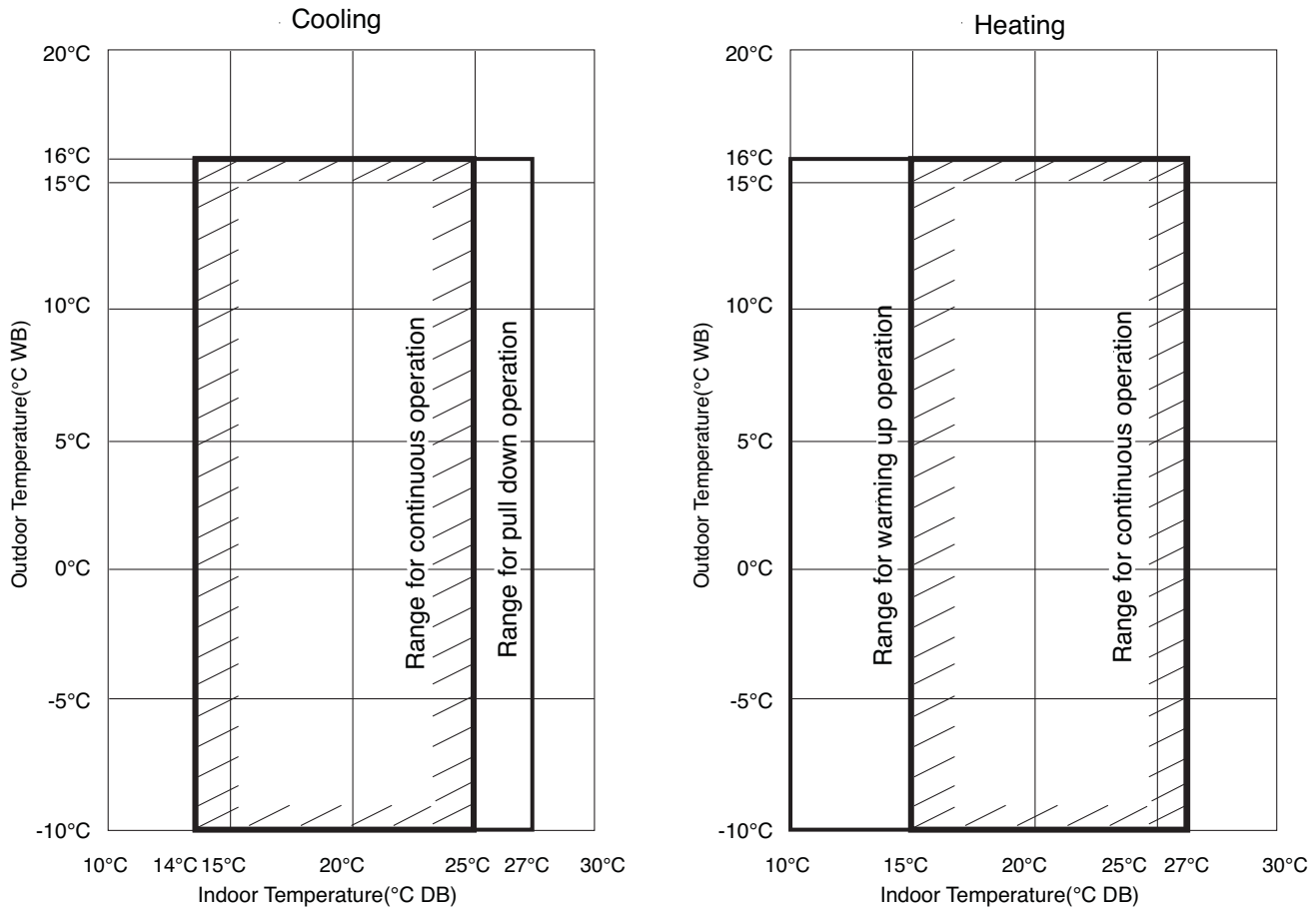
Equivalent piping length:7.5m

Level difference:0m

Please refer to the Hydro kit PDB for the information of operation limit when outdoor unit is connected with Hydro kit.

9. Operation Limits

9.2 Simultaneous Cooling / Heating Operation



Notes:

These figures assume the following operating conditions:

Equivalent piping length:7.5m

Level difference:0m

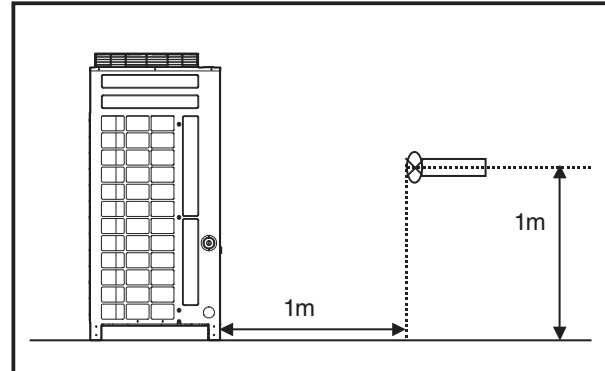
Please refer to the Hydro kit PDB for the information of operation limit when outdoor unit is connected with Hydro kit.

10. Sound Levels

10. Sound Pressure Level

Unit: dB(A)

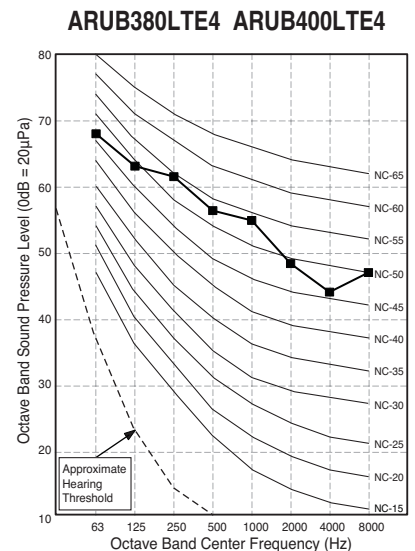
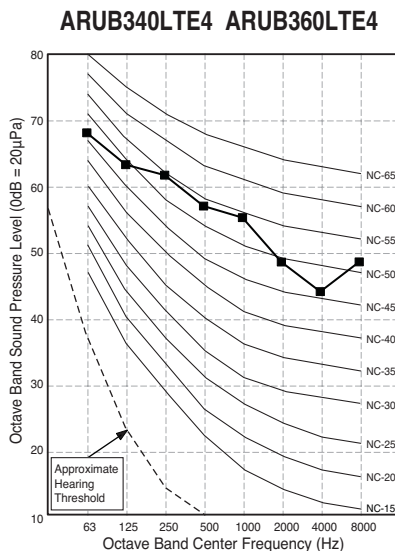
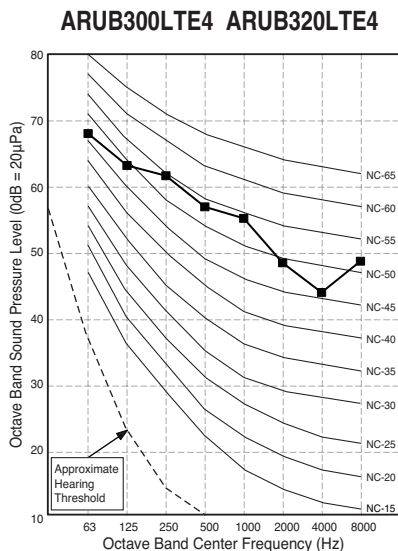
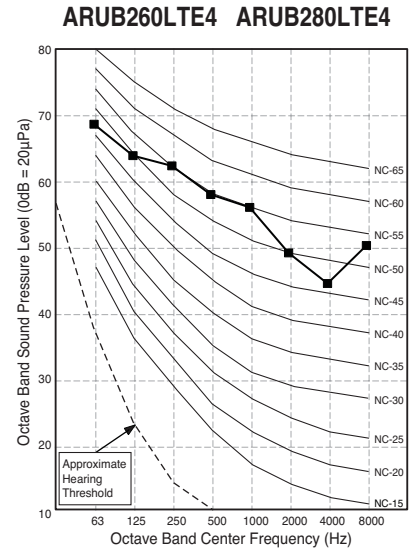
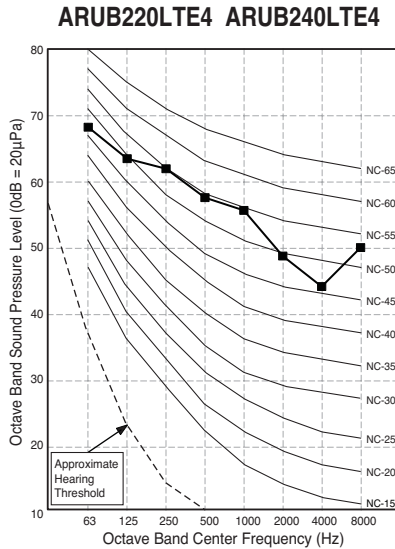
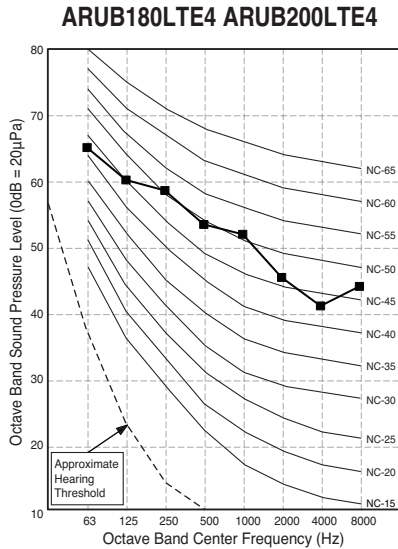
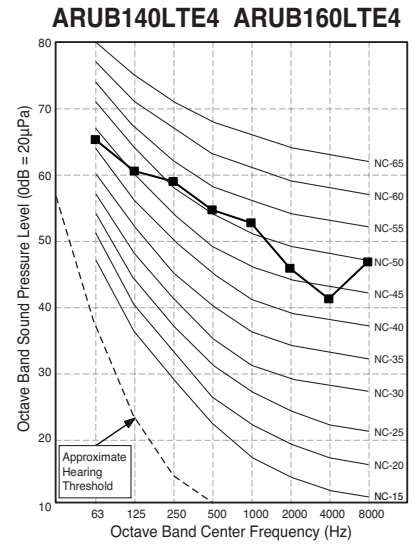
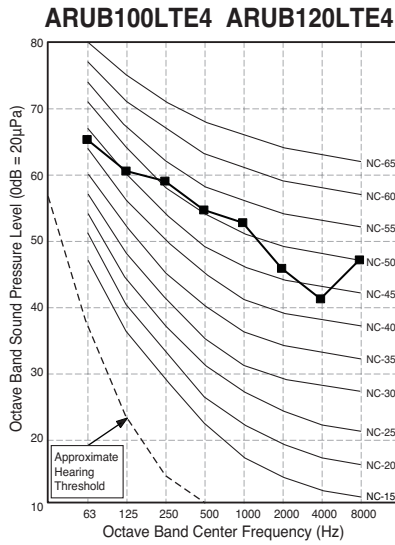
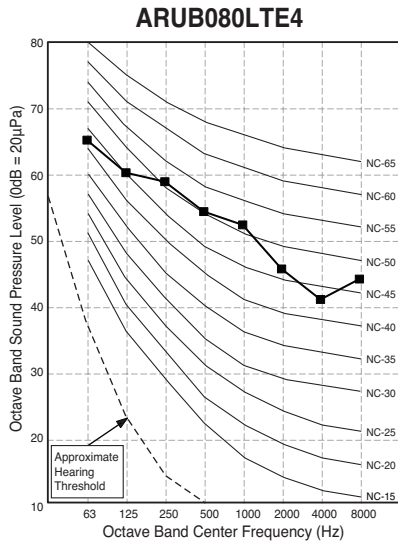
Model	50Hz/60Hz
8HP	58.5
10HP	59.0
12HP	59.0
14HP	59.0
16HP	59.0
18HP	59.5
20HP	59.5
22HP	62.0
24HP	62.0
26HP	62.0
28HP	62.0
30HP	62.3
32HP	62.3
34HP	62.3
36HP	62.3
38HP	62.5
40HP	62.5
42HP	63.9
44HP	63.9
46HP	63.9
48HP	64.1
50HP	64.1
52HP	64.1
54HP	64.1
56HP	64.1
58HP	64.3
60HP	64.3
62HP	65.2
64HP	65.3
66HP	65.3
68HP	65.3
70HP	65.3
72HP	65.4
74HP	65.4
76HP	65.5
78HP	65.5
80HP	65.5



Notes:

- Data is valid at free field condition
- Data is valid at nominal operating condition
- Sound level will vary depending on a range of factors such as the construction (acoustic absorption coefficient) of particular room in which the equipment is installed
- Sound level can be increased in static pressure mode or used air guide.

10. Sound Levels

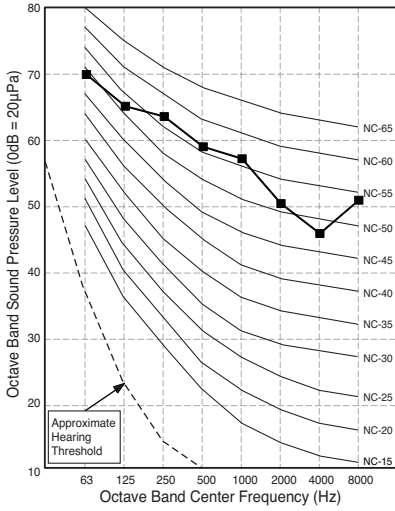


Outdoor Units

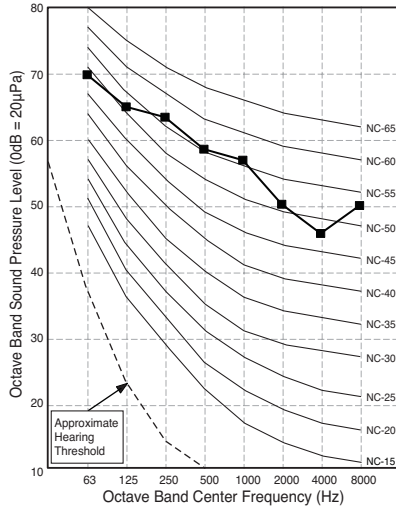
10. Sound Levels

Outdoor Units

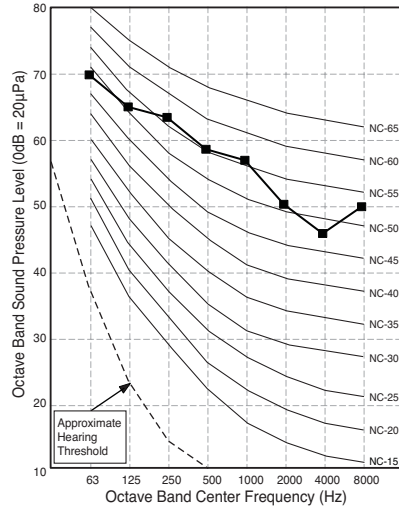
**ARUB420LTE4 ARUB440LTE4
ARUB460LTE4**



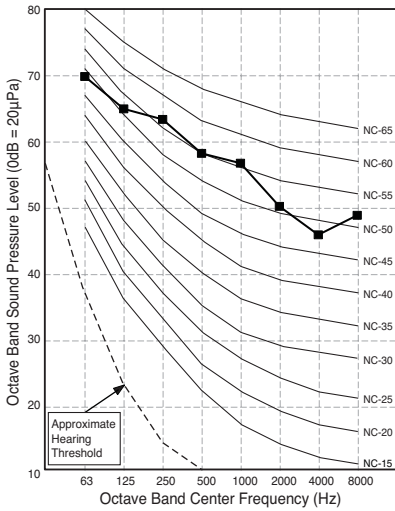
**ARUB480LTE4 ARUB500LTE4
ARUB520LTE4**



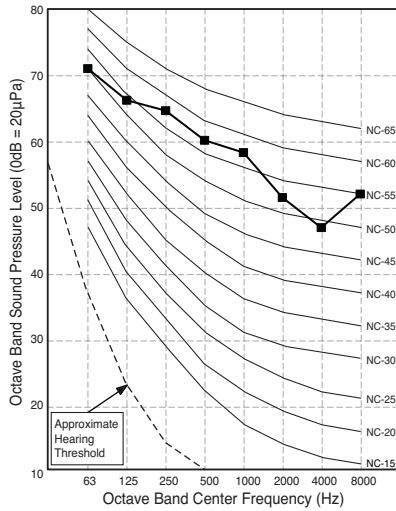
ARUB540LTE4 ARUB560LTE4



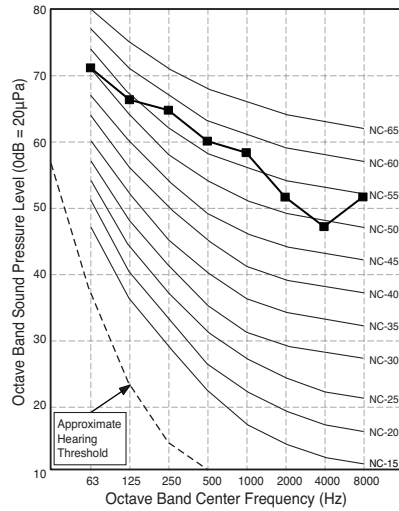
ARUB580LTE4 ARUB600LTE4



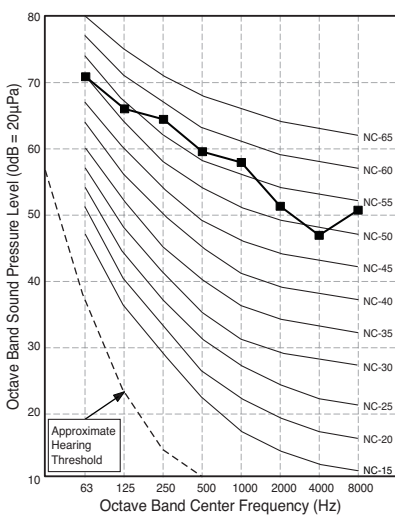
ARUB620LTE4



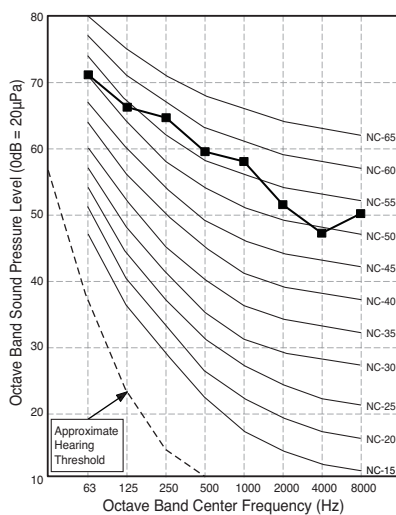
**ARUB640LTE4 ARUB660LTE4
ARUB680LTE4 ARUB700LTE4**



ARUB720LTE4 ARUB740LTE4



**ARUB760LTE4 ARUB780LTE4
ARUB800LTE4**



10. Sound Levels

10.2 Sound Power Levels

Unit:dB(A)

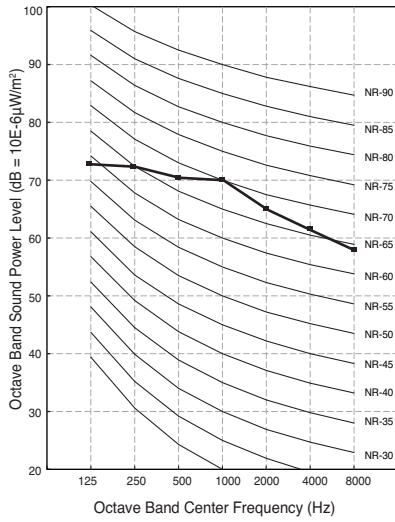
Model	50Hz/60Hz
8HP	78.0
10HP	78.0
12HP	79.0
14HP	82.0
16HP	82.0
18HP	83.0
20HP	83.0
22HP	81.5
24HP	82.0
26HP	83.8
28HP	83.8
30HP	84.5
32HP	84.5
34HP	85.5
36HP	85.5
38HP	86.0
40HP	86.0
42HP	86.2
44HP	86.2
46HP	86.2
48HP	86.6
50HP	86.6
52HP	86.8
54HP	87.5
56HP	87.5
58HP	87.8
60HP	87.8
62HP	88.3
64HP	88.5
66HP	88.5
68HP	88.5
70HP	88.5
72HP	88.8
74HP	88.8
76HP	89.0
78HP	89.0
80HP	89.0

Notes:

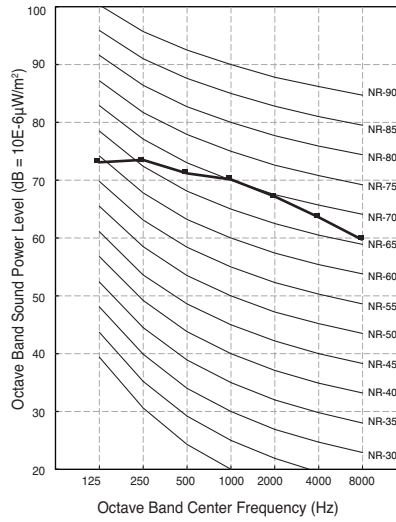
- Data is valid at diffuse field condition
- Data is valid at nominal operating condition
- Sound level can be increased in static pressure mode or used air guide.
- Sound power level is measured on the rated condition in the reverberation rooms.
- Sound level will vary depending on a range of factors such as the construction (acoustic absorption coefficient) of particular room in which the equipment is installed.
- Reference acoustic intensity 0dB = 10E-6μW/m²

10. Sound Levels

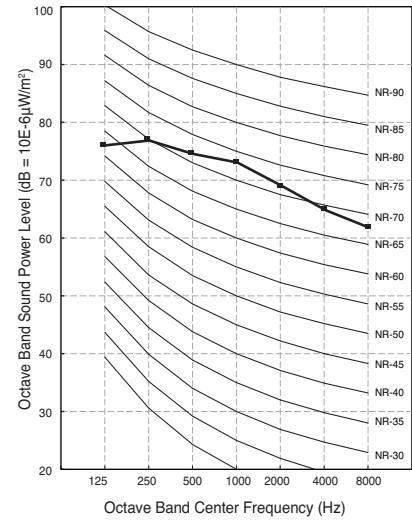
ARUB080LTE4 ARUB100LTE4



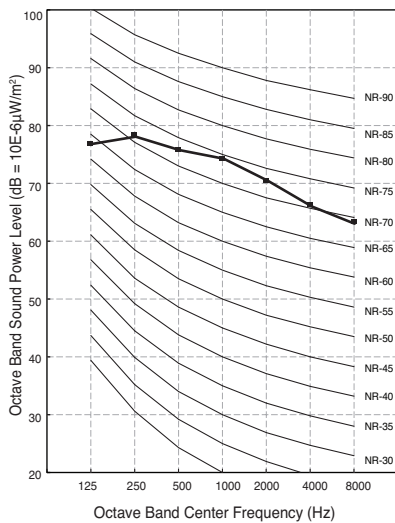
ARUB120LTE4



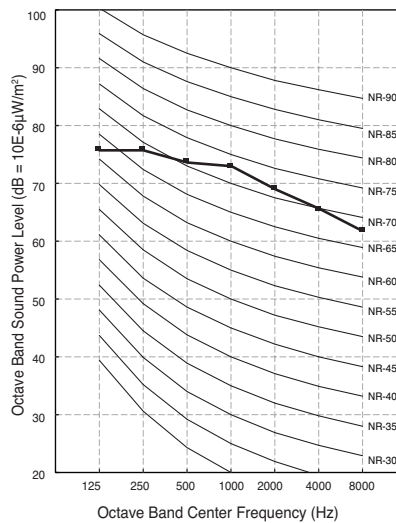
ARUB140LTE4 ARUB160LTE4



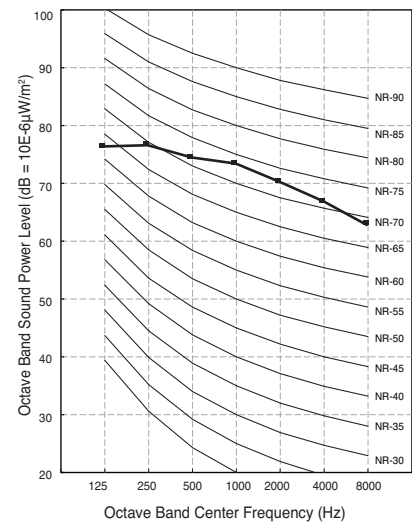
ARUB180LTE4 ARUB200LTE4



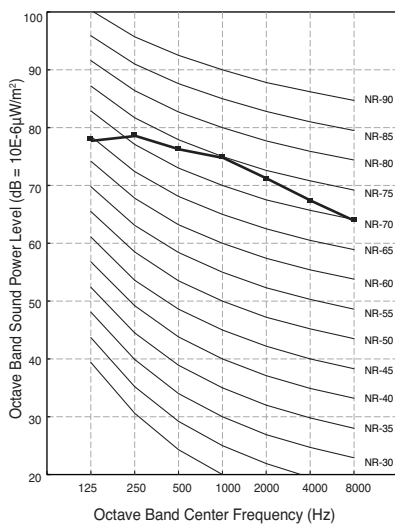
ARUB220LTE4



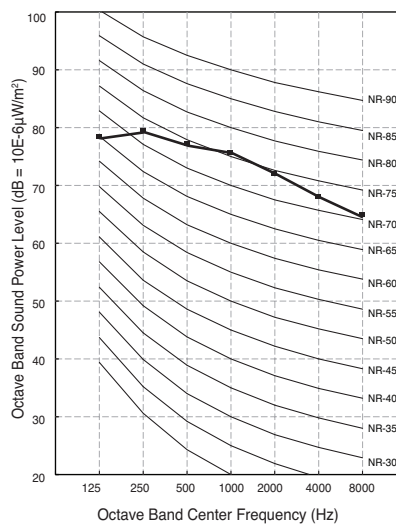
ARUB240LTE4



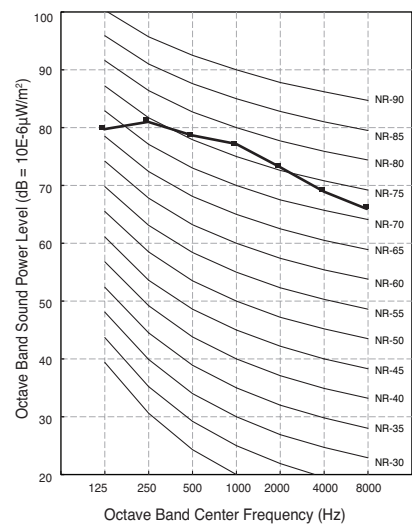
ARUB260LTE4 ARUN280LTE4



ARUB300LTE4 ARUB320LTE4



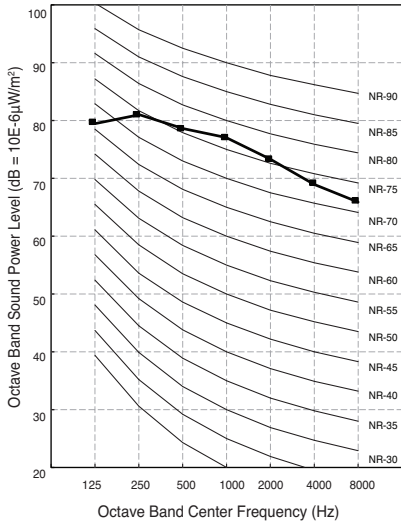
ARUB340LTE4 ARUB360LTE4



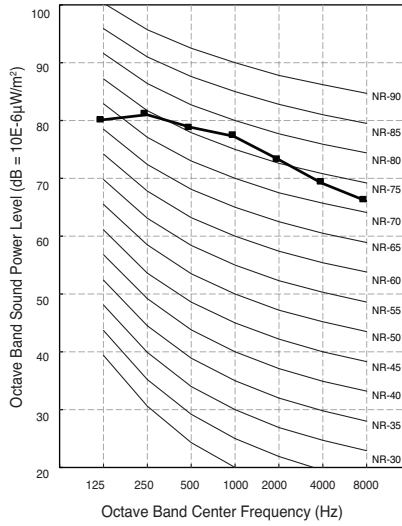
10. Sound Levels

Outdoor Units

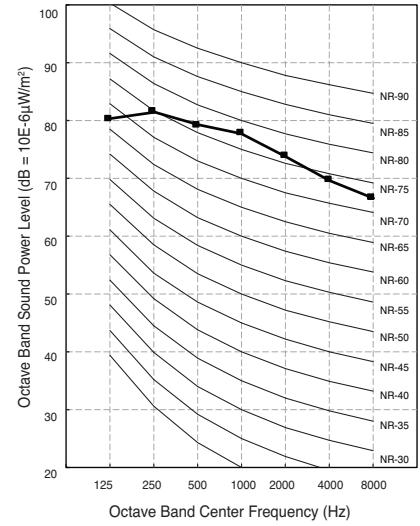
ARUB380LTE4 ARUB400LTE4



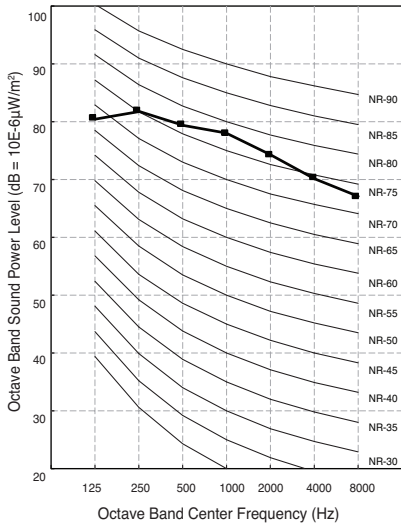
**ARUB420LTE4 ARUB440LTE4
ARUB460LTE4**



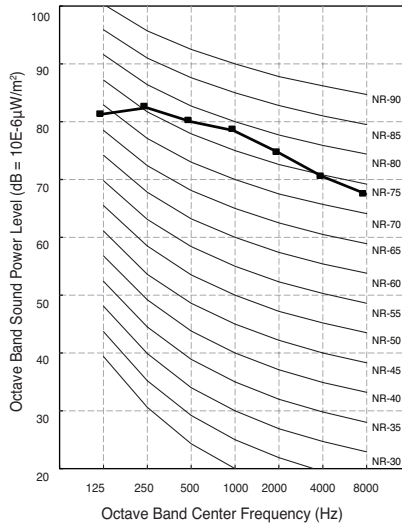
ARUB480LTE4 ARUB500LTE4



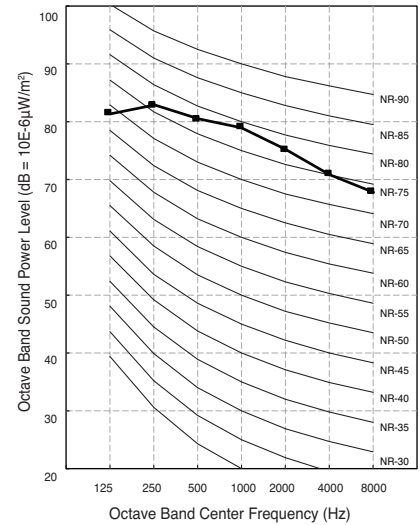
ARUB520LTE4



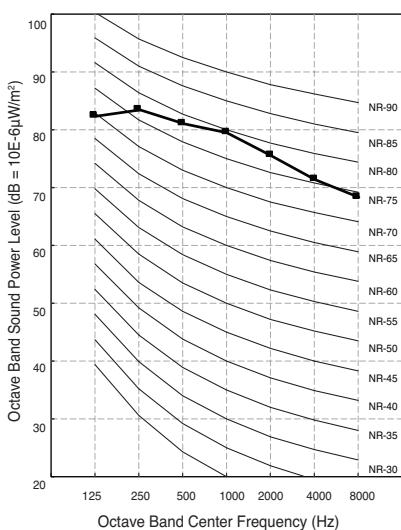
ARUB540LTE4 ARUB560LTE4



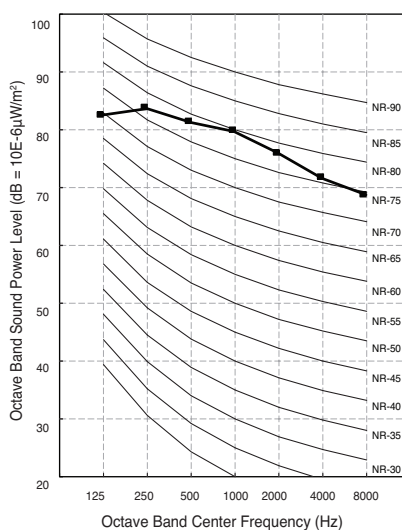
ARUB580LTE4 ARUB600LTE4



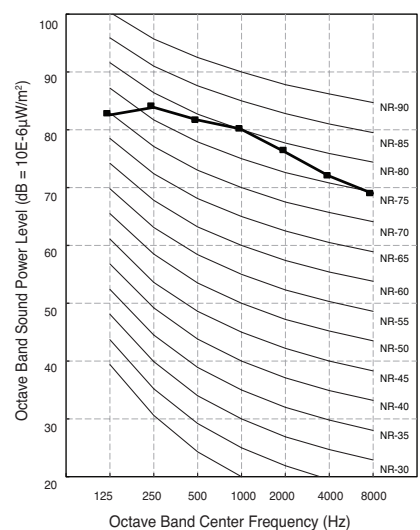
ARUB620LTE4



**ARUB640LTE4 ARUB660LTE4
ARUB680LTE4 ARUB700LTE4**

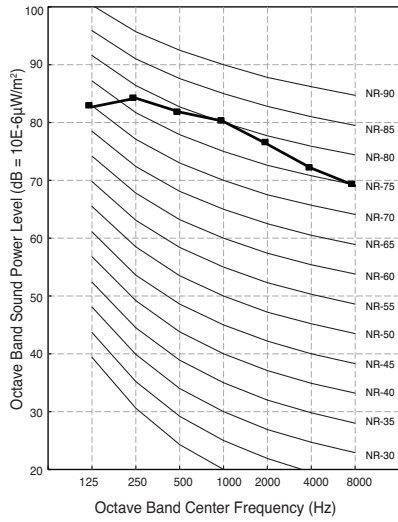


ARUB720LTE4 ARUB740LTE4



10. Sound Levels

ARUB760LTE4 ARUB780LTE4
ARUB800LTE4



11. Accessories

Optional Accessories

No.	Name	Model
1	Y branch pipe	ARBLB01621
		ARBLB03321
		ARBLB07121
		ARBLB14521
		ARBLB23220
2	Header	ARBL054
		ARBL057
		ARBL104
		ARBL107
		ARBL1010
		ARBL2010
3	Connection pipe of Outdoor Units	ARCNN21
		ARCNN31
		ARCNN41

Installation of Outdoor Units

- 1. Alternative Refrigerant R410A**
- 2. Select the Best Location**
- 3. Installation Space**
- 4. Lifting Method**
- 5. Installation**
- 6. Refrigerant piping Installation**
- 7. Refrigerant piping system**
- 8. Electrical Wiring**

1. Alternative Refrigerant R410A

- The refrigerant R410A has the property of higher operating pressure in comparison with R22. Therefore, all materials have the characteristics of higher resisting pressure than R22 ones and this characteristic should be also considered during the installation.
R410A is an azeotrope of R32 and R125 mixed at 50:50, so the ozone depletion potential (ODP) of R410A is 0.



CAUTION

- The wall thickness of the piping should comply with the relevant local and national regulations for the designed pressure 3.8MPa
- Since R410A is a mixed refrigerant, the required additional refrigerant must be charged in its liquid state. If the refrigerant is charged in its gaseous state, its composition changes and the system will not work properly.
- Do not place the refrigerant container under the direct rays of the sun to prevent it from exploding.
- For high-pressure refrigerant, any unapproved pipe must not be used.
- Do not heat pipes more than necessary to prevent them from softening.
- Be careful not to install wrongly to minimize economic loss because it is expensive in comparison with R22.

2. Select the Best Location

Select space for installing outdoor unit, which will meet the following conditions:

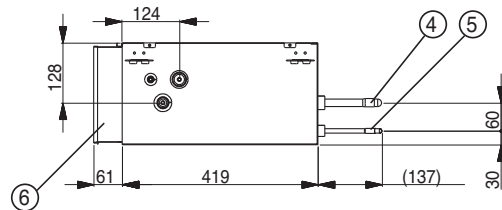
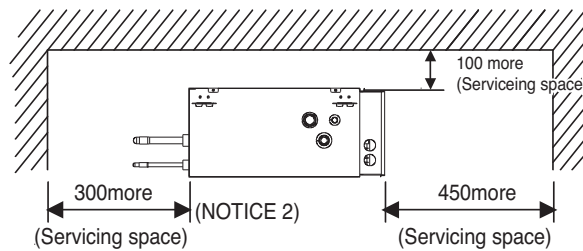
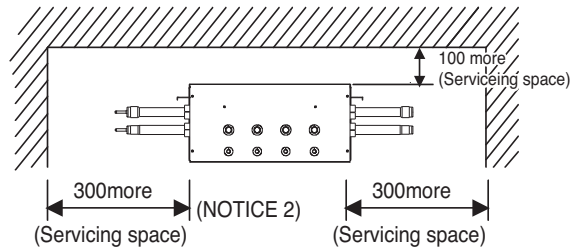
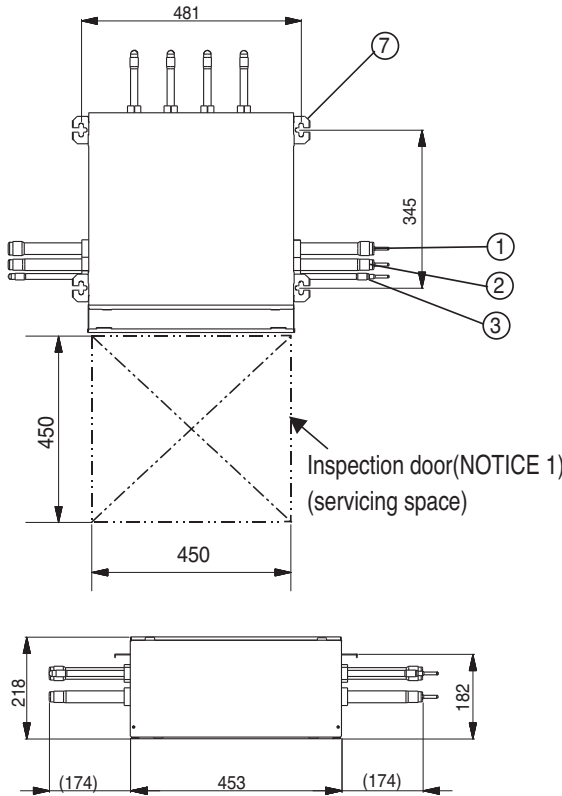
- No direct thermal radiation from other heat sources
- No possibility of annoying neighbors by noise from unit
- No exposition to strong wind
- With strength which bears weight of unit
- Note that drain flows out of unit when heating
- With space for air passage and service work shown next
- Because of the possibility of fire, do not install unit to the space where generation, inflow, stagnation, and leakage of combustible gas is expected.
- Avoid unit installation in a place where acidic solution and spray (sulfur) are often used.
- Do not use unit under any special environment where oil, steam and sulfuric gas exist.
- It is recommended to fence round the outdoor unit in order to prevent any person or animal from accessing the outdoor unit.
- If installation site is area of heavy snowfall, then the following directions should be observed.
 - Make the foundation as high as possible.
 - Fit a snow protection hood.
- Select installation location considering following conditions to avoid bad condition when additionally performing defrost operation.
 1. Install the outdoor unit at a place well ventilated and having a lot of sunshine in case of installing the product at a place with a high humidity in winter (near beach, coast, lake, etc).
(Ex) Rooftop where sunshine always shines.
 2. Performance of heating will be reduced and pre-heat time of the indoor unit may be lengthened in case of installing the outdoor unit in winter at following location:
 - (1) Shade position with a narrow space
 - (2) Location with much moisture in neighboring floor.
 - (3) Location with much humidity around.
 - (4) Location where liquid gathers since the floor is not even.

3. Installation Space

■ Select installation location of the HR unit suitable for following conditions

- Avoid a place where rain may enter since the HR unit is for indoor.
- Sufficient service space must be obtained.
- Refrigerant pipe must not exceed limited length.
- Avoid a place subject to a strong radiation heat from other heat source.
- Avoid a place where oil spattering, vapor spray or high frequency electric noise is expected.
- Install the unit at a place in which it is not affected by operation noise. (Installation within cell such as meeting room etc. may disturb business due to noise.)
- Place where refrigerant piping, drain piping and electrical wiring works are easy.

(Unit: mm)



(Unit: mm)

No.	Part Name	Description	
		PRHR031 / PRHR041 PRHR032 / PRHR042	PRHR021 PRHR022
1	Low pressure Gas pipe connection port	Ø28.58 Brazing connection	Ø22.2 Brazing connection
2	High pressure Gas pipe connection port	Ø22.2 Brazing connection	Ø19.05 Brazing connection
3	Liquid pipe connection port	Ø15.88 Brazing connection(PRHR041) Ø12.7 Brazing connection(PRHR031)	Ø9.52 Brazing connection
4	Indoor unit Gas pipe connection port	Ø15.88 Brazing connection	Ø15.88 Brazing connection
5	Indoor unit Liquid pipe connection port	Ø9.52 Brazing connection	Ø9.52 Brazing connection
6	Control box	-	-
7	Hanger metal	M10 or M8	M10 or M8

NOTICE :

1. Be sure to install the inspection door at the control box side.
2. If reducers are used, servicing space must be increased equal to reducer's dimension.

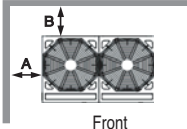
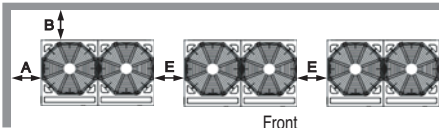
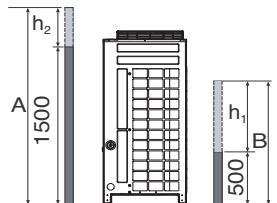
3. Installation Space

3.1 Individual Installation

■ During the installation of the unit, consider service, inlet, and outlet and acquire the minimum space as shown in the figures below.

Category	Installation Space	Case 1 (10mm ≤ Side Space ≤ 49mm)	Case 2 (Side Space ≥ 49mm)
4 sides are walls		A ≥ 10 B ≥ 300 C ≥ 10 D ≥ 500	A ≥ 50 B ≥ 100 C ≥ 50 D ≥ 500
		A ≥ 10 B ≥ 300 C ≥ 10 D ≥ 500 E ≥ 20	A ≥ 50 B ≥ 100 C ≥ 50 D ≥ 500 E ≥ 100
		A ≥ 10 B ≥ 300 C ≥ 10 D ≥ 500 E ≥ 20 F ≥ 600	A ≥ 50 B ≥ 100 C ≥ 50 D ≥ 500 E ≥ 100 F ≥ 500
		A ≥ 10 B ≥ 300 C ≥ 10 D ≥ 300 E ≥ 20 F ≥ 500	A ≥ 50 B ≥ 100 C ≥ 50 D ≥ 100 E ≥ 100 F ≥ 500
Rear to Rear		A ≥ 10 B ≥ 500 C ≥ 10 D ≥ 500 F ≥ 900	A ≥ 50 B ≥ 500 C ≥ 50 D ≥ 500 F ≥ 600
		A ≥ 10 B ≥ 500 C ≥ 10 D ≥ 500 E ≥ 20 F ≥ 1200	A ≥ 50 B ≥ 500 C ≥ 50 D ≥ 500 E ≥ 100 F ≥ 900
		A ≥ 10 B ≥ 500 C ≥ 10 D ≥ 500 E ≥ 20 F ≥ 1800	A ≥ 50 B ≥ 500 C ≥ 50 D ≥ 500 E ≥ 100 F ≥ 1200

3. Installation Space

Category	Installation Space	Case 1 (10mm ≤ Side Space ≤ 49mm)	Case 2 (Side Space ≥ 49mm)
Only 2 sides are walls	 <p>No limit to the height of the wall</p>	$A \geq 10$ $B \geq 300$	
	 <p>No limit to the height of the wall</p>	$A \geq 200$ $B \geq 300$ $E \geq 400$	
Limitations on the height of the wall (Refer to 4 side walls)	 <ul style="list-style-type: none"> • The height of the wall on the front side must be 1500mm or less. • The height of the wall on the inlet side must be 500mm or less. • There is no limit to the wall on the side. • If the height of the walls on the front and the side are higher than the limit, there must be additional space on the front and the side. <ul style="list-style-type: none"> - Additional Space on the inlet side by 1/2 of h₁. - Additional Space on the front side by 1/2 of h₂ - h₂ = A(Actual height) - 1500 - h₁ = B(Actual height) - 500 		

Installation of Outdoor Units

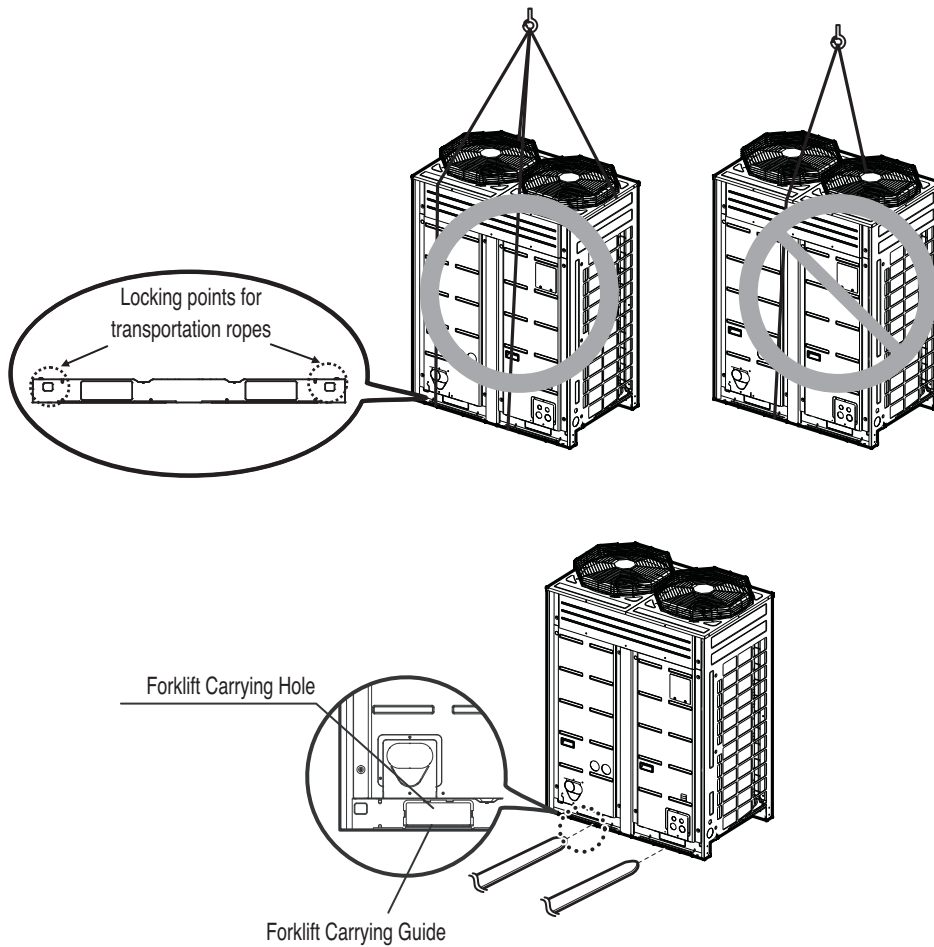
Seasonal wind and cautions in winter

- Sufficient measures are required in a snow area or severe cold area in winter so that product can be operated well.
- Get ready for seasonal wind or snow in winter even in other areas.
- Install a suction and discharge duct not to let in snow or rain.
- Install the outdoor unit not to come in contact with snow directly. If snow piles up and freezes on the air suction hole, the system may malfunction. If it is installed at snowy area, attach the hood to the system.
- Install the outdoor unit at the higher installation console by 50cm than the average snowfall (annual average snowfall) if it is installed at the area with much snowfall.
- Where snow accumulated on the upper part of the Outdoor Unit by more than 10cm, always remove snow for operation.

1. The height of H frame must be more than 2 times the snowfall and its width shall not exceed the width of the product. (If width of the frame is wider than that of the product, snow may accumulate)
2. Don't install the suction hole and discharge hole of the Outdoor Unit facing the seasonal wind.

4. Lifting Method

- When carrying the suspended, unit pass the ropes under the unit and use the two suspension points each at the front and rear.
- Always lift the unit with ropes attached at four points so that impact is not applied to the unit.
- Attach the ropes to the unit at an angle of 40° or less.



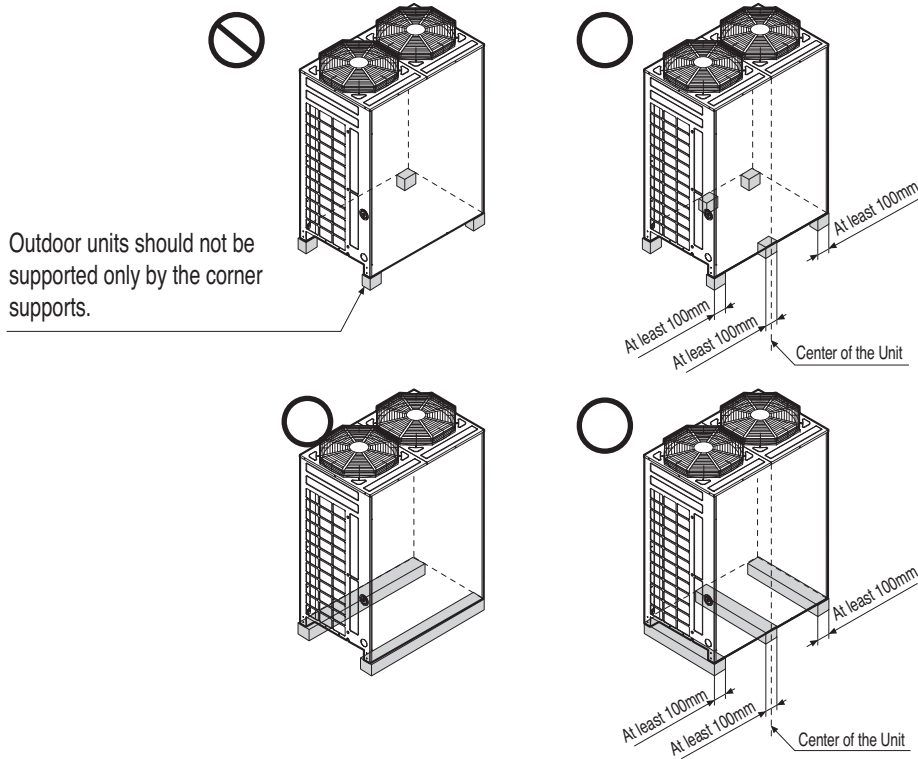
CAUTION

Be very careful while carrying the product.

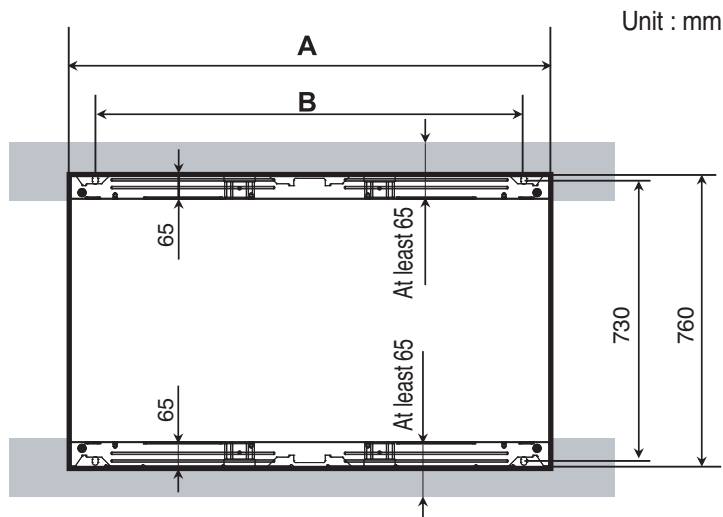
- Do not have only one person carry product if it is more than 20 kg.
- PP bands are used to pack some products. Do not use them as a mean for transportation because they are dangerous.
- Do not touch heat exchanger fins with your bare hands. Otherwise you may get a cut in your hands.
- Tear plastic packaging bag and scrap it so that children cannot play with it. Otherwise plastic packaging bag may suffocate children to death.
- When carrying in Outdoor Unit, be sure to support it at four points. Carrying in and lifting with 3-point support may make Outdoor Unit unstable, resulting in a fall.
- Use 2 belts of at least 8 m long.
- Place extra cloth or boards in the locations where the casing comes in contact with the sling to prevent damage.
- Hoist the unit making sure it is being lifted at its center of gravity.

5. Installation

- Install at places where it can endure the weight and vibration/noise of the outdoor unit.
- The outdoor unit supports at the bottom shall have width of at least 100mm under the units legs before being fixed.
- The outdoor unit supports should have minimum height of 200mm.
- Anchor bolts must be inserted at least 75mm.



5.1 The location of the Anchor bolts

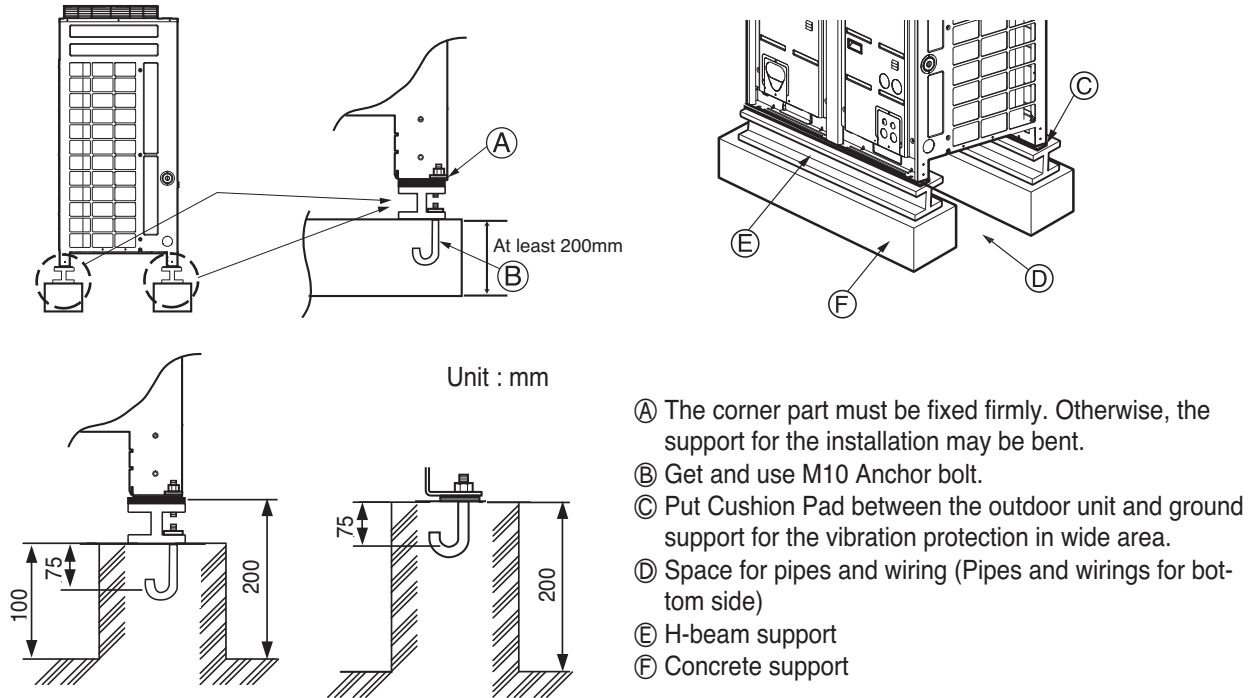


Type	Chassis	A (mm)	B (mm)
1 Fan model	UX2	920	792
2 Fan model	UX3	1,240	1,102

5. Installation

5.2 Foundation for Installation

- Fix the unit tightly with bolts as shown below so that unit will not fall down due to earthquake or gust.
- Use the H-beam support as a base support
- Noise and vibration may occur from the floor or wall since vibration is transferred through the installation part depending on installation status. Thus, use anti-vibration materials (cushion pad) fully (The base pad shall be more than 200mm).



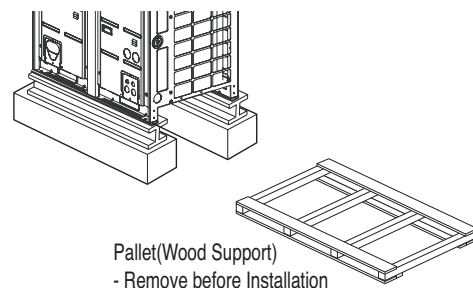
- Ⓐ The corner part must be fixed firmly. Otherwise, the support for the installation may be bent.
- Ⓑ Get and use M10 Anchor bolt.
- Ⓒ Put Cushion Pad between the outdoor unit and ground support for the vibration protection in wide area.
- Ⓓ Space for pipes and wiring (Pipes and wirings for bottom side)
- Ⓔ H-beam support
- Ⓕ Concrete support

! WARNING

- Install where it can sufficiently support the weight of the outdoor unit.
If the support strength is not enough, the outdoor unit may drop and hurt people.
- Install where the outdoor unit may not fall in strong wind or earthquake.
If there is a fault in the supporting conditions, the outdoor unit may fall and hurt people.
- Please take extra cautions on the supporting strength of the ground, liquid outlet treatment (treatment of the liquid flowing out of the outdoor unit in operation), and the passages of the pipe and wiring, when making the ground support.
- Do not use tube or pipe for liquid outlet in the Base pan. Use drainage instead for liquid outlet. The tube or pipe may freeze and the liquid may not be drained.

! WARNING

- Be sure to remove the MDF (wood support) of the bottom side of the outdoor unit Base Pan before fixing the bolt. It may cause the unstable state of the outdoor settlement, and may cause freezing of the heat exchanger resulting in abnormal operations.
- Be sure to remove the MDF (wood support) of the bottom side of the outdoor unit before welding. Not removing MDF causes hazard of fire during welding.

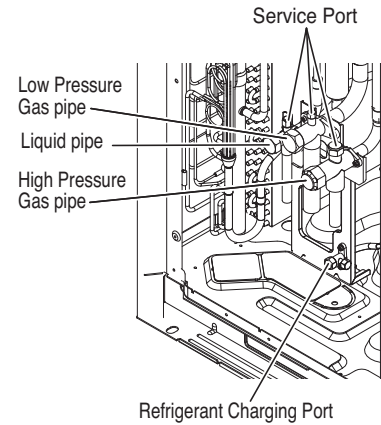


6. Refrigerant piping Installation

6.1 Precautions on Pipe connection / Valve operation

Pipe connection is done by connecting from the end of the pipe to the branching pipes, and the refrigerant pipe coming out of the outdoor unit is divided at the end to connect to each indoor unit. Flare connection for the indoor unit, and welding connection for the outdoor pipe and the branching parts.

- Use hexagonal wrench to open/close the valve.



! WARNING

- Always careful not to leak the refrigerant during welding.
- The refrigerant generates poisonous gas harmful to human body if combusted.
- Do not perform welding in a closed space.
- Be sure to close the cap of the service port to prevent gas leakage after the work.

! CAUTION

Please block the pipe knock outs of the front and side panels after installing the pipes.
(Animals or foreign objects may be brought in to damage the cables.)

6. Refrigerant piping Installation

6.2 Connection of Outdoor units

[Unit : mm]

Model	Low Pressure Gas Pipe	Liquid Pipe	High Pressure Gas Pipe
© ARCNB21			
Ⓑ ARCNB31			
Ⓐ ARCNB41			

For more information, refer accessory installation manual.

Method of Pipe Connections

2 Unit	3 Unit	4 Unit

Installation of Outdoor Units

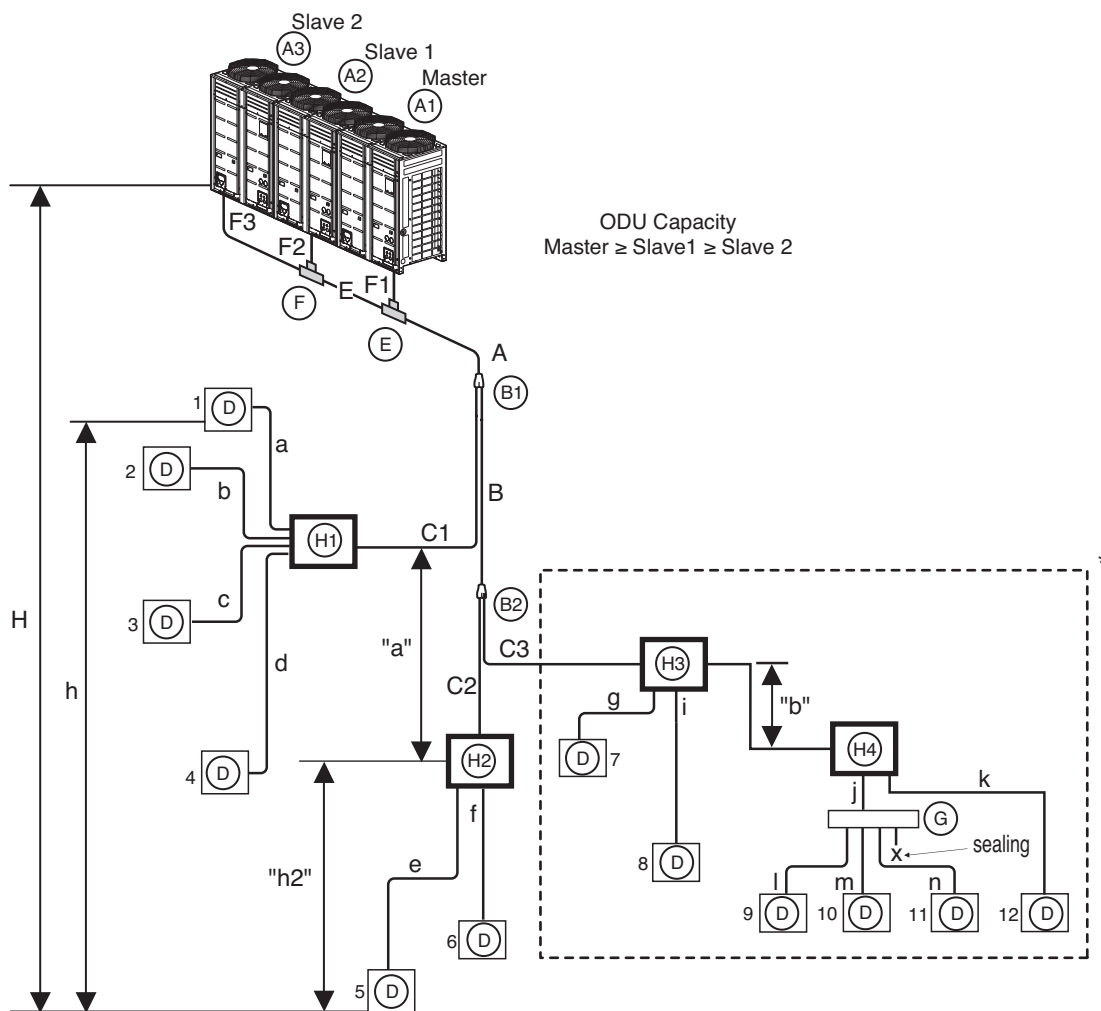
7. Refrigerant piping system

7.1 Refrigerant Pipe Connection

3 Outdoor Units

Example : 12 Indoor Units connected

- Ⓐ : Outdoor Unit
- Ⓑ : Y branch
- Ⓓ : Indoor Unit
- Ⓔ : Connection branch pipe between Outdoor units : ARCNCB31
- Ⓕ : Connection branch pipe between Outdoor units : ARCNCB21
- Ⓖ : Header
- Ⓗ : HR Unit



■ **Case 1 ("a")**
: Maximum height is 15m if you install with Y branch.

■ **Case 2 ("b")**
: Maximum height is 5m in serial connection of HR units.

7. Refrigerant piping system

WARNING

- * : Serial connection of HR units : Capacity sum of indoor units ≤ 192.4 kBtu/hr
- Refer to the HR unit PCB part for the valve group control setting.
- It is recommended that difference in pipe lengths between an HR unit and indoor units, for example difference in length of a, b, c, and d, be minimized. The larger difference in pipe lengths, the more different performance between indoor units.
- Piping length from outdoor branch to outdoor unit ≤ 10 m, equivalent length : max 13m (for 22HP or more)
- ※ If the large capacity indoor units (Over 5 HP; using over $\varnothing 15.88/\varnothing 9.52$) are installed, it should be used the Valve Group setting

▷ Total pipe length = $A+B+C1+C2+C3+a+b+c+d+e+f+g+i+j+k+l+m+n \leq 1,000$ m

		Total pipe length ($A+B+C1+C2+C3+a+b+c+d+e+f+g+i+j+k+l+m+n$)	1,000m
Max. pipe length	L	Longest pipe length ($A+B+C3+k$) : between Outdoor Unit ↔ Indoor Unit	150m (200m ^{**})
		Longest pipe Equivalent length* : between Outdoor Unit ↔ Indoor Unit	175m (225m ^{**})
	I	Longest pipe length after 1st branch	40m (90m ^{**})
Max. difference in height	H	Between Outdoor Unit ↔ Indoor Unit	110 m
	h	Between Indoor Unit ↔ Indoor Unit	40 m
	h1	Between Outdoor Unit ↔ Outdoor Unit	5 m
	h2	Between Indoor Unit ↔ HR Unit	15 m
	a	Between HR Unit ↔ HR Unit	15 m
	b	Between HR Unit ↔ HR Unit within same branch	5 m

- * : Assume equivalent pipe length of Y branch to be 0.5m, that of header to be 1m, calculation purpose.
- ** : Conditional application

WARNING

When the any one (or both) of below conditions are satisfied, the diameter of main pipe (A) must be increased according to below table.

- The equivalent length between outdoor unit and the farthest indoor unit is 90m or more (Only liquid pipe is increased)
- The level difference (Outdoor unit ↔ Indoor unit) is 50m or more (Only liquid pipe is increased)

▷ Refrigerant pipe diameter from outdoor unit to first branch. (A)

Upward Outdoor unit total capacity	Standard Pipe Diameter			Increased Pipe Diameter		
	Liquid pipe [mm(inch)]	Low Pressure Gas pipe [mm(inch)]	High Pressure Gas pipe [mm(inch)]	Liquid pipe [mm(inch)]	Low Pressure Gas pipe [mm(inch)]	High Pressure Gas pipe [mm(inch)]
HP						
8	$\varnothing 9.52(3/8)$	$\varnothing 19.05(3/4)$	$\varnothing 15.88(5/8)$	$\varnothing 12.7(1/2)$	not increased	not increased
10	$\varnothing 9.52(3/8)$	$\varnothing 22.2(7/8)$	$\varnothing 19.05(3/4)$	$\varnothing 12.7(1/2)$	not increased	not increased
12	$\varnothing 12.7(1/2)$	$\varnothing 28.58(1-1/8)$	$\varnothing 19.05(3/4)$	$\varnothing 15.88(5/8)$	not increased	not increased
14~ 16	$\varnothing 12.7(1/2)$	$\varnothing 28.58(1-1/8)$	$\varnothing 22.2(7/8)$	$\varnothing 15.88(5/8)$	not increased	not increased
18 ~ 20	$\varnothing 15.88(5/8)$	$\varnothing 28.58(1-1/8)$	$\varnothing 22.2(7/8)$	$\varnothing 19.05(3/4)$	not increased	not increased
22 ~ 24	$\varnothing 15.88(5/8)$	$\varnothing 34.9(1-3/8)$	$\varnothing 28.58(1-1/8)$	$\varnothing 19.05(3/4)$	not increased	not increased
26 ~ 34	$\varnothing 19.05(3/4)$	$\varnothing 34.9(1-3/8)$	$\varnothing 28.58(1-1/8)$	$\varnothing 22.2(7/8)$	not increased	not increased
36	$\varnothing 19.05(3/4)$	$\varnothing 41.3(1-5/8)$	$\varnothing 28.58(1-1/8)$	$\varnothing 22.2(7/8)$	not increased	not increased
38 ~ 60	$\varnothing 19.05(3/4)$	$\varnothing 41.3(1-5/8)$	$\varnothing 34.9(1-3/8)$	$\varnothing 22.2(7/8)$	not increased	not increased
62 ~ 64	$\varnothing 22.2(7/8)$	$\varnothing 44.5(1-3/4)$	$\varnothing 41.3(1-5/8)$	$\varnothing 25.4(1)$	not increased	not increased
66 ~ 80	$\varnothing 22.2(7/8)$	$\varnothing 53.98(2-1/8)$	$\varnothing 44.5(1-3/4)$	$\varnothing 25.4(1)$	not increased	not increased

※ If available on site, select pipe size according to upper table. Otherwise it doesn't need to be increased.

※ Model line up could be different in accordance with target region.

7. Refrigerant piping system

▷ Refrigerant pipe diameter from branch to branch (B,C)

Downward indoor unit total capacity [kW(Btu/h)]	Liquid pipe [mm(inch)]	Gas pipe [mm(inch)]	
		Low pressure	High pressure
≤ 5.6(19,100)	Ø6.35(1/4)	Ø12.7(1/2)	Ø9.52(3/8)
< 16.0 (54,600)	Ø9.52(3/8)	Ø15.88(5/8)	Ø12.7(1/2)
< 22.4 (76,400)	Ø9.52(3/8)	Ø19.05(3/4)	Ø15.88(5/8)
< 33.6(114,700)	Ø9.52(3/8)	Ø22.2(7/8)	Ø19.05(3/4)
< 50.4(172,000)	Ø12.7(1/2)	Ø28.58(1-1/8)	Ø22.2(7/8)
< 67.2(229,400)	Ø15.88(5/8)	Ø28.58(1-1/8)	Ø22.2(7/8)
< 72.8(248,500)	Ø15.88(5/8)	Ø34.9(1-3/8)	Ø28.58(1-1/8)
< 100.8(344,000)	Ø19.05(3/4)	Ø34.9(1-3/8)	Ø28.58(1-1/8)
< 173.6(592,500)	Ø19.05(3/4)	Ø41.3(1-5/8)	Ø34.9(1-3/8)
< 184.8(630,700)	Ø22.2(7/8)	Ø44.5(1-3/4)	Ø41.3(1-5/8)
≤ 224.0(764,400)	Ø22.2(7/8)	Ø53.98(2-1/8)	Ø44.5(1-3/4)

▷ (**)Conditional Application

If the below conditions are satisfied, limit of longest pipe length after 1st branch could be extended by 40 m → 90 m.

1) Pipe diameter Size Up

Pipe diameter(only Liquid/low pressure gas pipes) between 1st branch ↔ last branch(HR unit) is increased by one step. If the pipe diameter of B,C3 is same as A, it is not necessary.

: Ø 6.35 → Ø 9.52 → Ø 12.7 → Ø 15.88 → Ø 19.05 → Ø 22.2 → Ø 25.4*

: Ø 28.58 → Ø 31.8*

: Ø 34.9 → Ø 38.1*

(* : It is not necessary to size up.)

* If available on site, use this size. Otherwise it can't be increased.

2) Correction for calculating the total pipe length

When calculating total pipe length, pipe B,C,D length should be calculated twice.

: $A + B \times 2 + C3 \times 2 + C1 + C2 + a + b + c + d + e + f + g + i + j + k + l + m + n \leq 1,000 \text{ m}$

3) Indoor unit pipe length

Length of pipe from each indoor unit to the closest HR unit (a,b,c,d,e,e,g,i,j,k,l,m,n) ≤ 40 m.

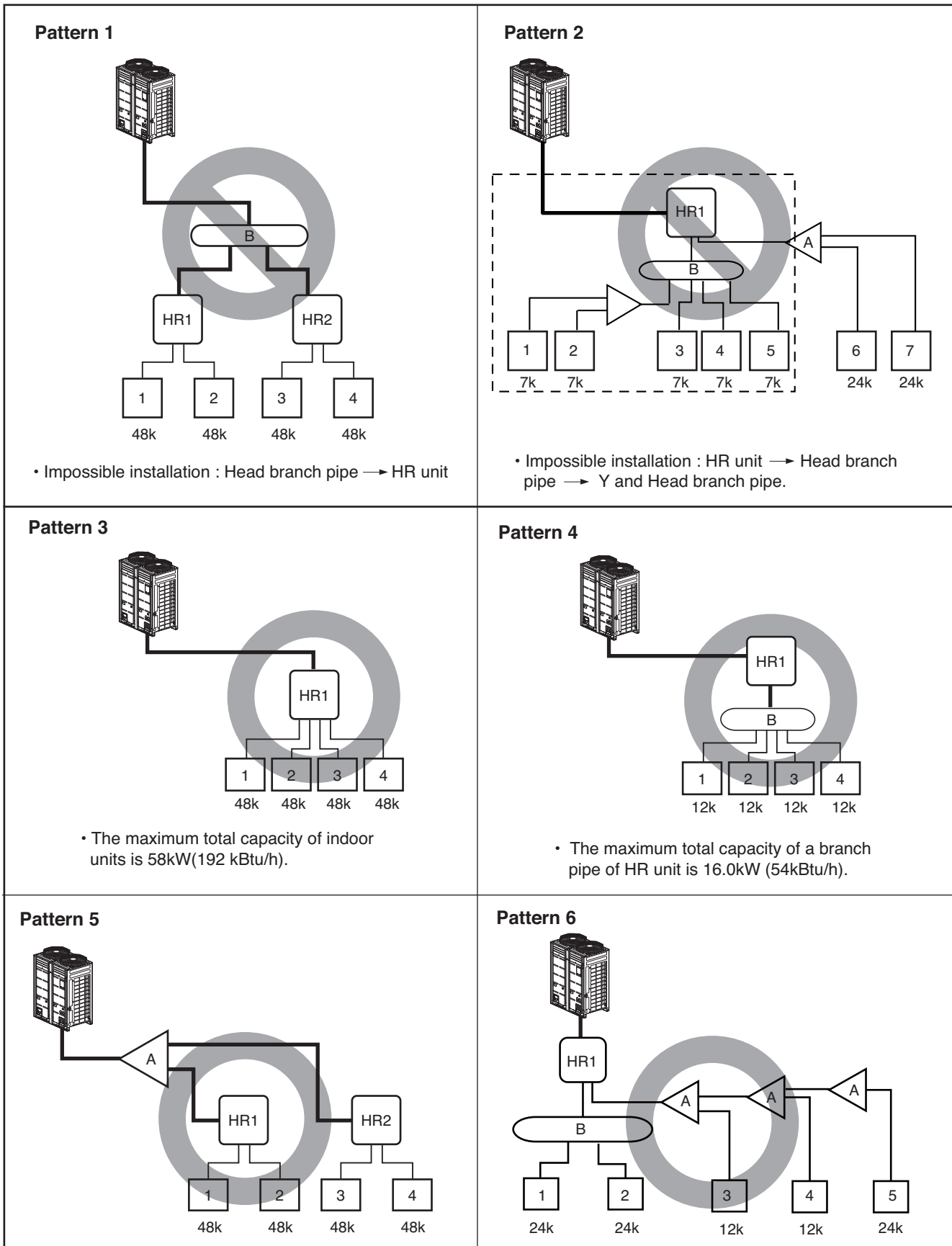
4) Difference in length between outdoor unit and the farthest or closest indoor unit

[Length of pipe from outdoor unit to the farthest indoor unit 12 (B+C3+k)]

- [Length of pipe from outdoor unit to the closest indoor unit 1 (C1+a)] ≤ 40 m

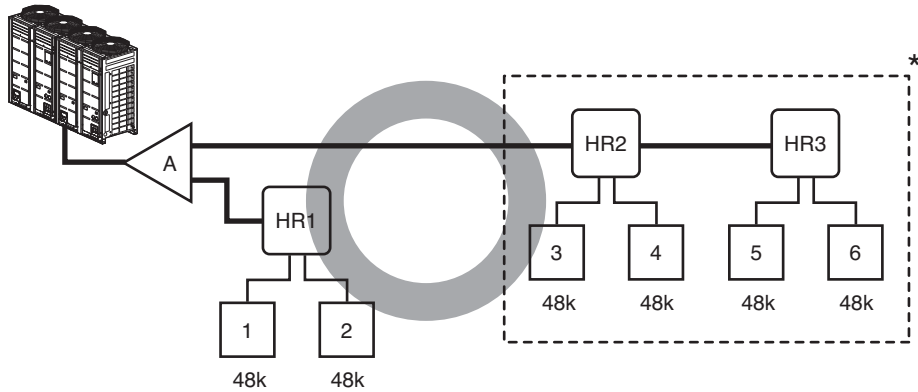
7. Refrigerant piping system

7.1.1 Y branch, Header and HR unit connection pattern



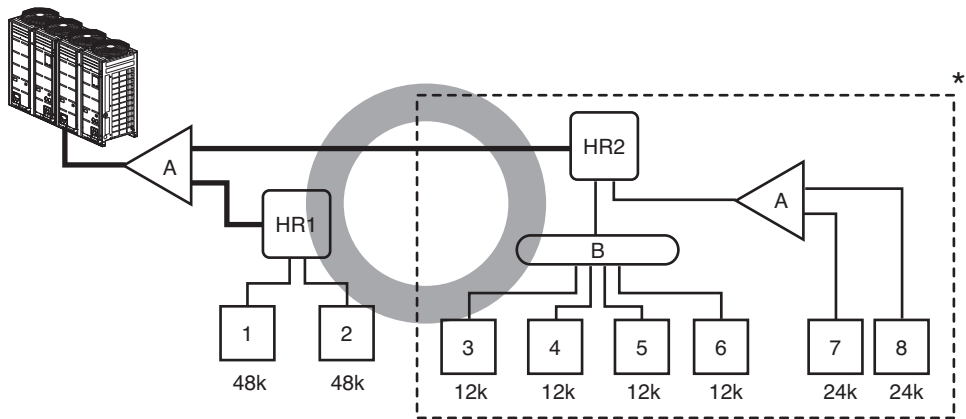
7. Refrigerant piping system

Pattern 7

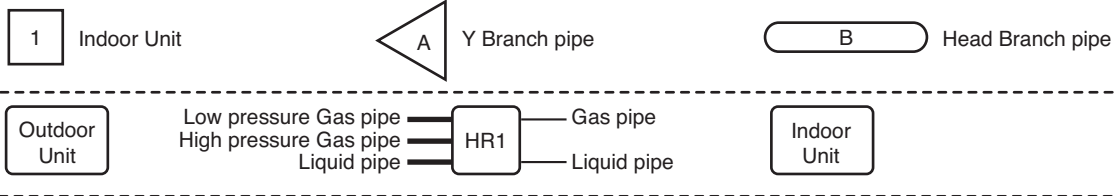


• * : Serial connection of HR units : Capacity sum of indoor units \leq 192 kBtu/h

Pattern 8



• * : Maximum indoor units per a branch are 8 indoor units



- Pipe installation from outdoor units to HR units
 : 3 pipes(Low pressure Gas pipe, High pressure Gas pipe, Liquid pipe)
- Pipe installation from HR units to indoor units
 : 2 pipes(Gas pipe, Liquid pipe)

Note:

If the large capacity(76kBtu/h and 96kBtu/h grade) indoor units are installed, two neighboring outlets of one HR unit are linked by Y branch pipe and connected to one indoor unit.

7. Refrigerant piping system

7.2 Outdoor unit Connection

WARNING

• In case of pipe diameter B connected after first branch is bigger than the main pipe diameter A, B should be of the same size with A.

Ex) In case indoor unit combination ratio 120% is connected to 24HP(67.2 kW) outdoor unit.

- 1) Outdoor unit main pipe diameter A : Ø34.9(Gas pipe), Ø15.88(liquid pipe)
- 2) Pipe diameter B after first branch according to 120% indoor unit ombination(80.6kW) : Ø34.9(gas pipe), Ø19.05(liquid pipe)

Therefore, pipe diameter B connected after first branch would be Ø34.9(gas pipe) / Ø15.88(liquid pipe) which is same with main pipe diameter.

[Example]

Do not choose the main pipe diameter by downward indoor unit total capacity but its outdoor unit model name.

Do not let the connection pipe from branch to branch exceed the main pipe diameter chosen by outdoor unit model name.

EX) Where connecting the indoor units to the 22 HP (61.6 kW) outdoor unit to 130% of its system capacity (80.1 kW) and branching 7k (2.2kW) indoor unit at the 1st branch.

- 1) Main pipe diameter(22 HP outdoor unit): Ø28.58(gas pipe), Ø15.88(Liquid pipe)
- 2) Pipe diameter between 1st and 2nd branch (77.9kW indoor units) :

Ø34.9(Gas pipe), Ø19.05(Liquid pipe) in conformity with downward indoor units.

Since the main pipe diameter of 22HP outdoor unit is Ø28.58(gas pipe), Ø15.88(Liquid pipe) is used as the main pipe and the connection pipe between 1st and 2nd branch.

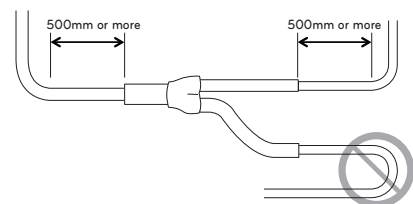
7.3 Indoor Unit Connection

▷ Indoor Unit connecting pipe from branch (a,b,c,d,e,f)

Indoor Unit capacity [kW(Btu/h)]	Liquid pipe [mm(inch)]	Gas pipe [mm(inch)]
≤ 5.6(19,100)	Ø6.35(1/4)	Ø12.7(1/2)
< 16.0(54,600)	Ø9.52(3/8)	Ø15.88(5/8)
< 22.4(76,400)	Ø9.52(3/8)	Ø19.05(3/4)
< 28.0(95,900)	Ø9.52(3/8)	Ø22.2(7/8)

CAUTION

- Bending radius should be at least twice the diameter of the pipe.
- Bend pipe after 500mm or more from branch(or header).
Do not bend U type.
It may cause Performance unsatisfactory or noise.

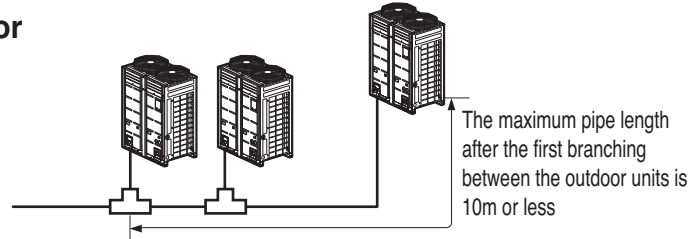


7. Refrigerant piping system

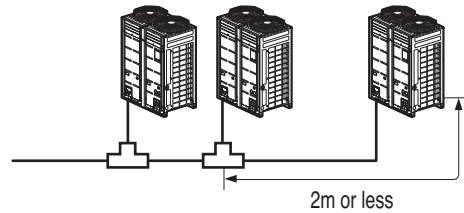
7.4 Pipe Connection Method/Precautions for Series connections between Outdoor units

- Separate Y branch joints are needed for series connections between outdoor units.
- Please refer to the below connection examples to install pipe connections between outdoor units.

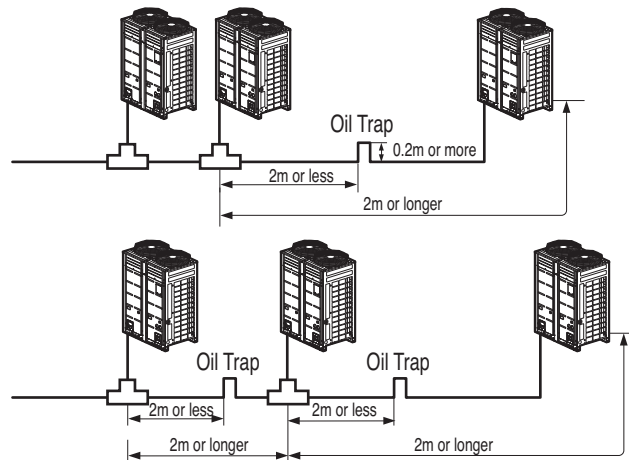
7.4.1 Pipe connection between outdoor units (General Case)



7.4.2 Pipes between outdoor units are 2m or less

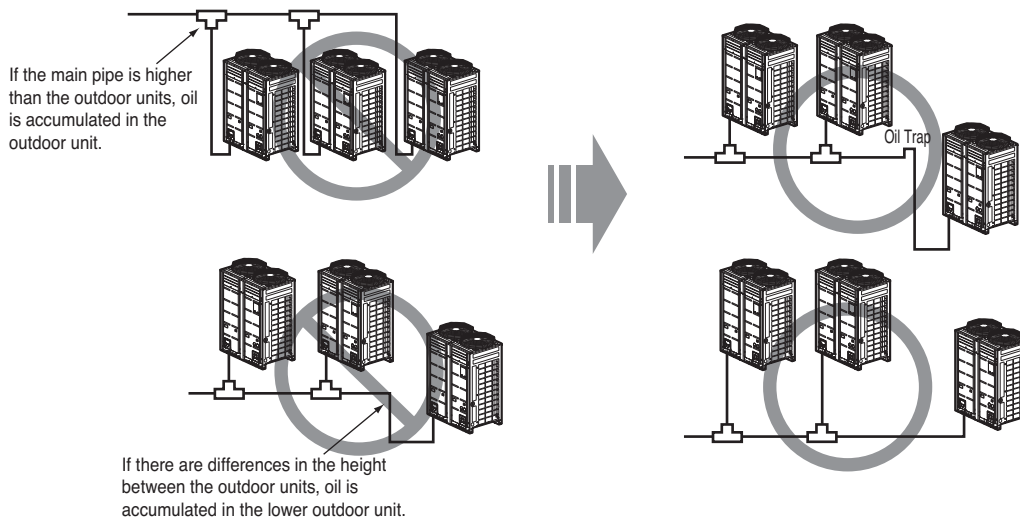


7.4.3 Pipes between outdoor units are 2m or longer



- If the distance between the outdoor units becomes more than 2m, apply Oil Traps between the High/Low pressure gas pipes.
- If the outdoor unit is located lower than the main pipe, apply Oil Trap.

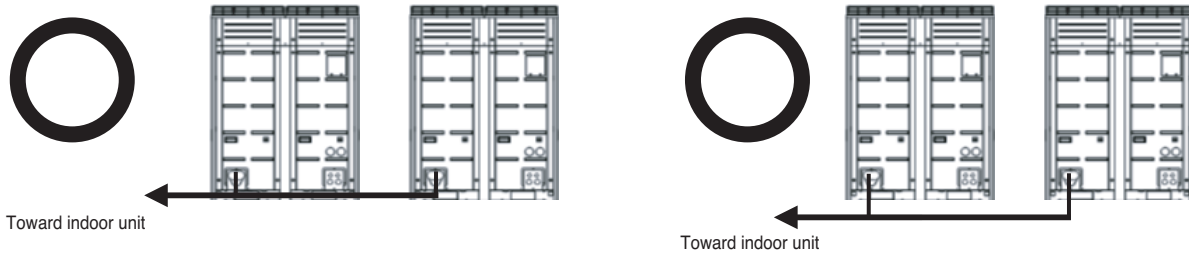
7.4.4 Examples of Wrong Pipe Connections



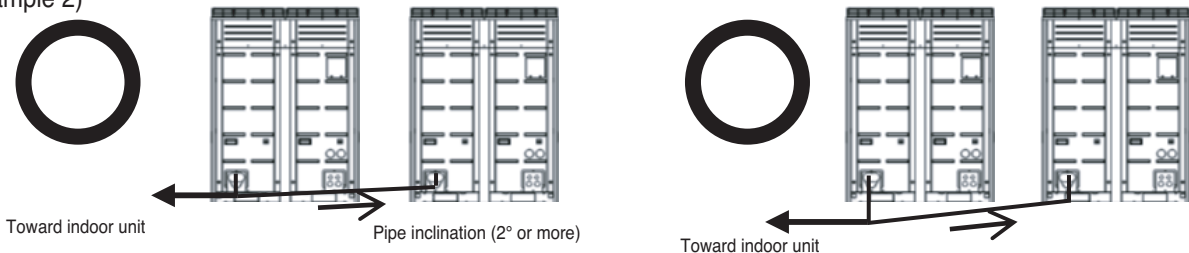
7. Refrigerant piping system

- The pipes between the outdoor units must maintain horizontal levelness or give an inclination to prevent a back flow toward the slave outdoor unit. Otherwise, the unit may not operate properly.

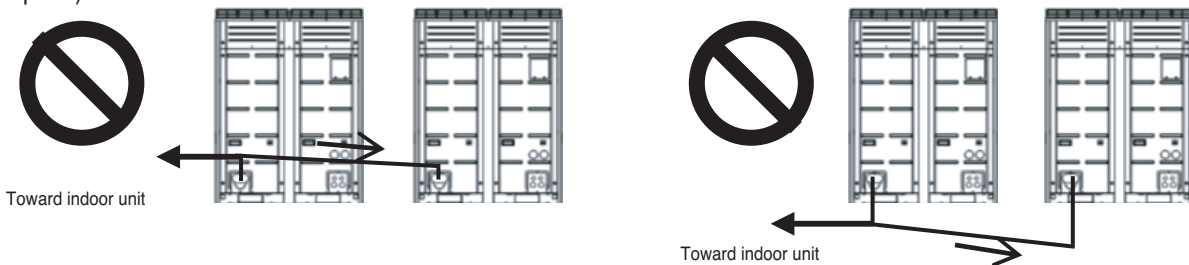
(Example 1)



(Example 2)

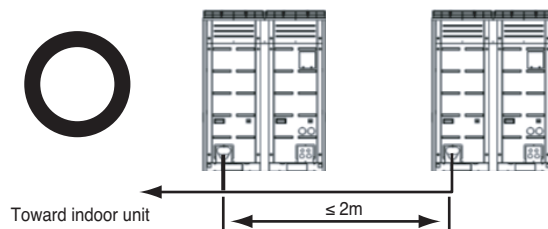


(Example 3)

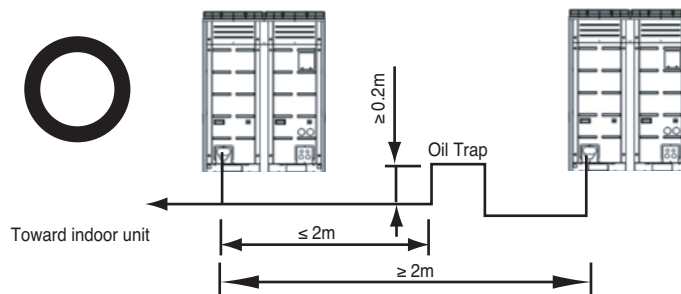


- Apply Oil Trap as shown below when the length of the pipe between the outdoor units is more than 2m. Otherwise, the unit may not operate properly.

(Example 1)



(Example 2)

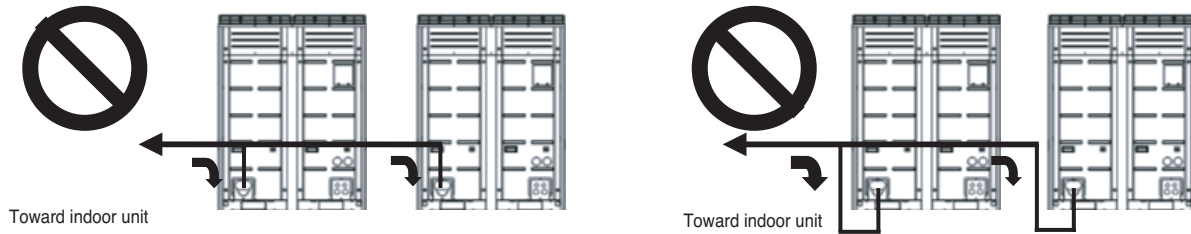


* Install Oil trap if the ODU is at lower level than main piping.

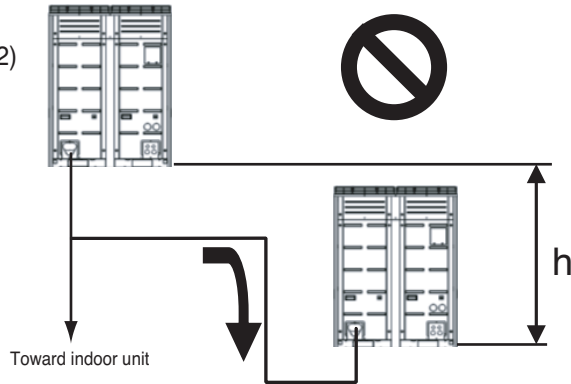
7. Refrigerant piping system

- When connecting the pipes between the outdoor units, the accumulation of oil in the slave outdoor unit should be avoided. Otherwise, the unit may not operate properly.

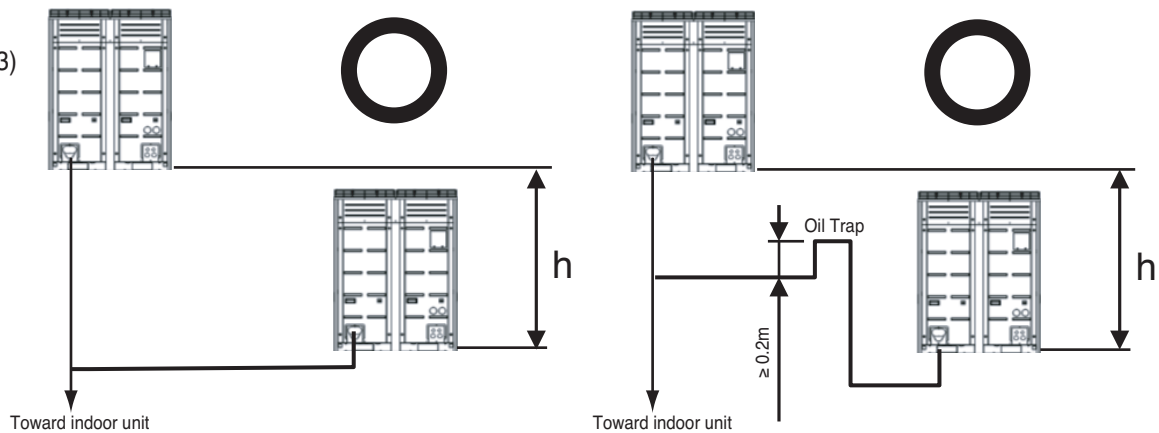
(Example 1)



(Example 2)



(Example 3)



7. Refrigerant piping system

7.5 The amount of Refrigerant

The calculation of the additional charge should take into account the length of pipe and CF(correction Factor) value of indoor unit.

Additional charge(kg)	=	Total liquid pipe :Ø25.4 mm	×	0.480(kg/m)
	+	Total liquid pipe :Ø22.2 mm	×	0.354(kg/m)
	+	Total liquid pipe :Ø19.05 mm	×	0.266(kg/m)
	+	Total liquid pipe :Ø15.88 mm	×	0.173(kg/m)
	+	Total liquid pipe :Ø12.7 mm	×	0.118(kg/m)
	+	Total liquid pipe :Ø9.52 mm	×	0.061(kg/m)
	+	Total liquid pipe :Ø6.35 mm	×	0.022(kg/m)
	+	Number of installed HR units	×	0.5 kg
	+	CF value of indoor unit		

Note:

For CF value (additional refrigerant) table of indoor units, please refer to installation manual of outdoor unit.

7. Refrigerant piping system

7.6 Selection of Y Branch and Header

7.6.1 Y Branch

[unit:mm]

Models	Low Pressure Gas Pipe	Liquid pipe	High Pressure Gas Pipe
ARBLB01621			
ARBLB03321			
ARBLB07121			
ARBLB14521			
ARBLB23220			

7. Refrigerant piping system

7.6.2 Header

[unit:mm]

Models	Gas pipe	Liquid pipe
4 branch ARBL054		
7 branch ARBL057		
4 branch ARBL104		
7 branch ARBL107		
10 branch ARBL1010		
10 branch ARBL2010		

Installation of Outdoor Units

8. Electrical Wiring

8.1 Electrical Wiring

8.1.1 Caution

1. Follow ordinance of your governmental organization for technical standard related to electrical equipment, wiring regulations and guidance of each electric power company.

CAUTION

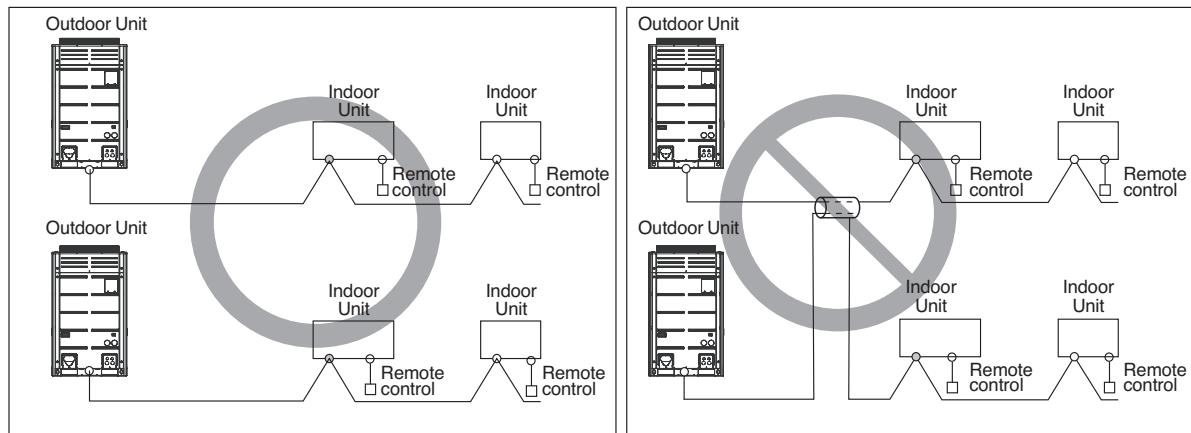
Be sure to have authorized electrical engineers do the electric work using special circuits in accordance with regulations and this installation manual. If power supply circuit has a lack of capacity or electric work deficiency, it may cause an electric shock or fire.

2. Install the Outdoor Unit communication line away from the power source wiring so that it is not affected by electric noise from the power source. (Do not run it through the same conduit.)
3. Be sure to provide designated grounding work to Outdoor Unit.

CAUTION

Be sure to correct the outdoor unit to earth. Do not connect earth line to any gas pipe, liquid pipe, lightning rod or telephone earth line. If earth is incomplete, it may cause an electric shock.

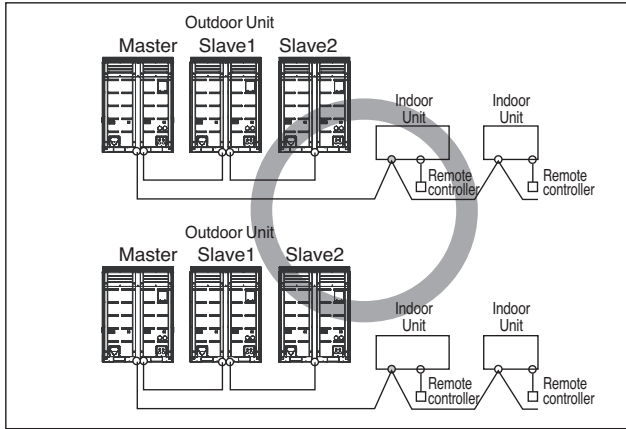
4. Give some allowance to wiring for electrical part box of Indoor and Outdoor Units, because the box is sometimes removed at the time of service work.
5. Never connect the main power source to terminal block of communication line. If connected, electrical parts will be burnt out.
6. Use 2-core shield cable for communication line. (O mark in the figure below) If communication lines of different systems are wired with the same multiplecore cable, the resultant poor transmitting and receiving will cause erroneous operations. (⊘ mark in the figure below)
7. Only the communication line specified should be connected to the terminal block for Outdoor Unit communication.



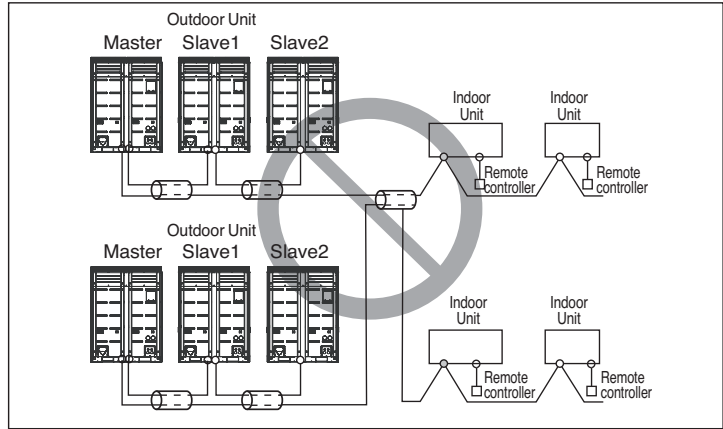
2-Core Shield Cable

Multi-Core Cable

8. Electrical Wiring



2-Core Shield Cable



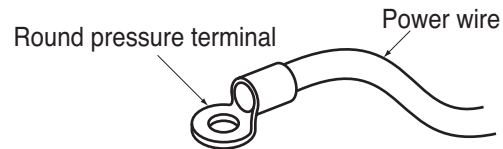
Multi-Core Cable

⚠ CAUTION

- Use the 2-core shield cables for communication lines. Never use them together with power cables.
- The conductive shielding layer of cable should be grounded to the metal part of both units.
- Never use multi-core cable
- As this unit is equipped with an inverter, to install a phase leading capacitor not only will deteriorate power factor improvement effect, but also may cause capacitor abnormal heating. Therefore, never install a phase leading capacitor.
- Make sure that the power unbalance ratio is not greater than 2%. If it is greater the units lifespan will be reduced.

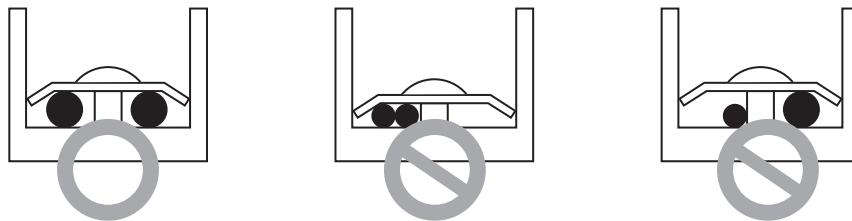
◆ Precautions when laying power wiring

Use round pressure terminals for connections to the power terminal block.



When none are available, follow the instructions below.

- Do not connect wiring of different thicknesses to the power terminal block. (Slack in the power wiring may cause abnormal heat.)
- When connecting wiring which is the same thickness, do as shown in the figure below.



- For wiring, use the designated power wire and connect firmly, then secure to prevent outside pressure being exerted on the terminal block.
- Use an appropriate screwdriver for tightening the terminal screws. A screwdriver with a small head will strip the head and make proper tightening impossible.
- Over-tightening the terminal screws may break them.

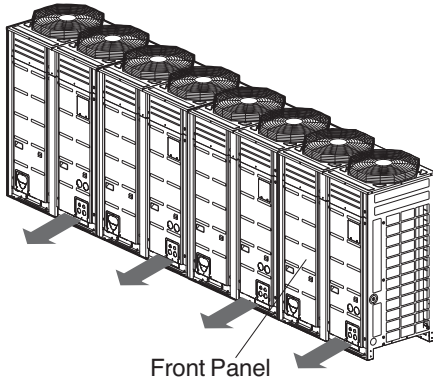
⚠ CAUTION

When the 400 volt power supply is applied to “N” phase by mistake, replace inverter PCB and transformer in control box.

8. Electrical Wiring

8.1.2 Control box and connecting positioning of wiring

- Remove all of the screws at front panel and remove the panel by pulling it forward.



- Connect communication line between main and sub outdoor unit through the terminal block.
- Connect communication lines between outdoor unit and indoor units through the terminal block.
- When the central control system is connected to the outdoor unit, a dedicated PCB must be connected between them.
- When connecting communication line between outdoor unit and indoor units with shielded wire, connect the shield ground to the earth screw.

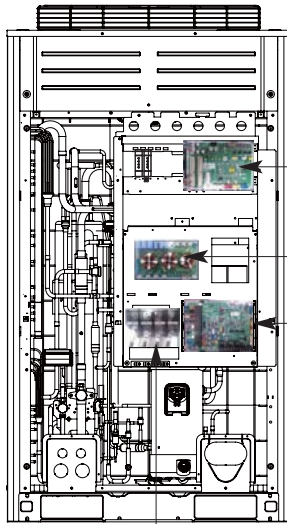
! WARNING

The temperature sensor for outdoor air should not be exposed to direct sunlight.

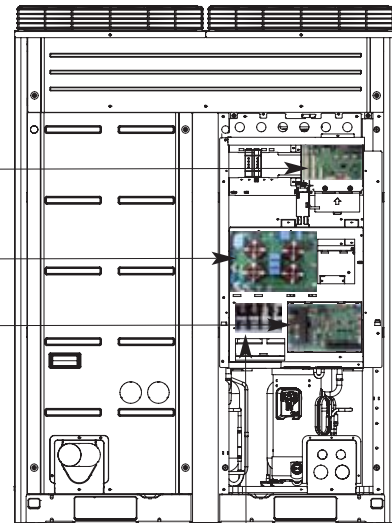
- Provide an appropriate cover to intercept direct sunlight.

■ Heat Recovery

UX2



UX3



Main PCB

Noise Filter

External PCB

Take care of the phase sequence of power system

8. Electrical Wiring

8.1.3 Communication and Power Lines

1) Communication cable

- Types : shielding wire
- Use wires of size : over 1.0~1.5mm²
- Maximum allowable temperature: 60°C
- Maximum allowable line length: under 1,000m

2) Remote control cable

- Types : 3-core cable

3) Central control cable

Product type	Wire type	Diameter
ACP&AC Manager	2-core wire (shielding wire)	1.0~1.5mm ²
AC Smart	2-core wire (shielding wire)	1.0~1.5mm ²
Simple central controller	4-core wire (shielding wire)	1.0~1.5mm ²

4) Separation of communication and power lines

- If communication and power lines are run alongside each other then there is a strong likelihood of operational faults developing due to interference in the signal wiring caused by electrostatic and electromagnetic coupling.

The tables below indicates our recommendation as to appropriate spacing of communication and power lines where these are to be run side by side

Current capacity of power line		Spacing
100V or more	10A	300mm
	50A	500mm
	100A	1,000mm
	Exceed 100A	1,500mm

Note:

1. The figures are based on assumed length of parallel cabling up to 100m. For length in excess of 100m the figures will have to be recalculated in direct proportion to the additional length of line involved.
2. If the power supply waveform continues to exhibit some distortion the recommended spacing in the table should be increased.
 - If the lines are laid inside conduits then the following point must also be taken into account when grouping various lines together for introduction into the conduits
 - Power lines(including power supply to air conditioner) and signal lines must not be laid inside the same
 - In the same way, when grouping the lines power and signal lines should not be bunched together.



CAUTION

- If apparatus is not properly earthed then there is always a risk of electric shocks, the earthing of the apparatus must be carried out by a qualified person.

8. Electrical Wiring

8.2 DIP Switch Setting

8.2.1 Checking according to dip switch setting

1. You can check the setting values of the Master outdoor unit from the 7 segment LED.
The dip switch setting should be changed when the power is OFF.

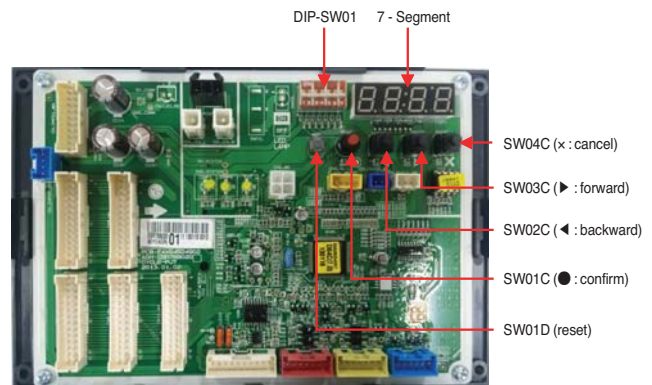
8.2.2 Checking the setting of the Master unit

The number is sequentially appeared at the 7 segment in 5 seconds after applying the power. This number represents the setting condition.

• Initial display order

Order	No	Mean
①	Unit HP (08~22)	Master model capacity
②	Unit HP (10~22)	Slave 1 model capacity
③	Unit HP (10~22)	Slave 2 model capacity
④	Unit HP (10~22)	Slave 3 model capacity
⑤	System HP (08~88)	Total capacity
⑥	1	Cooling Only
	2	Heat Pump
	3	Heat Recovery
⑦	38	380V model
	46	460V model
	22	220V model
⑧	1	ARU*****TE4
	2	ARU*****TS4/N4
	6	ARU*****TH4

■ Main PCB



• Example) ARUN620LTE4

①	②	③	④	⑤	⑥	⑦	⑧
18	16	14	14	62	2	38	1

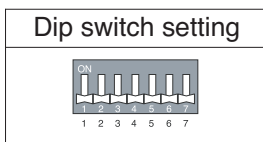
Notes :

1. Example of model names could be different with model names included within this PDB.
2. In accordance with the number of combined outdoor unit or target region, it could not be applied to set the order ③,④.

⚠ CAUTION

Product may not properly operate if the relevant DIP switch is not properly setup.

• Master Unit

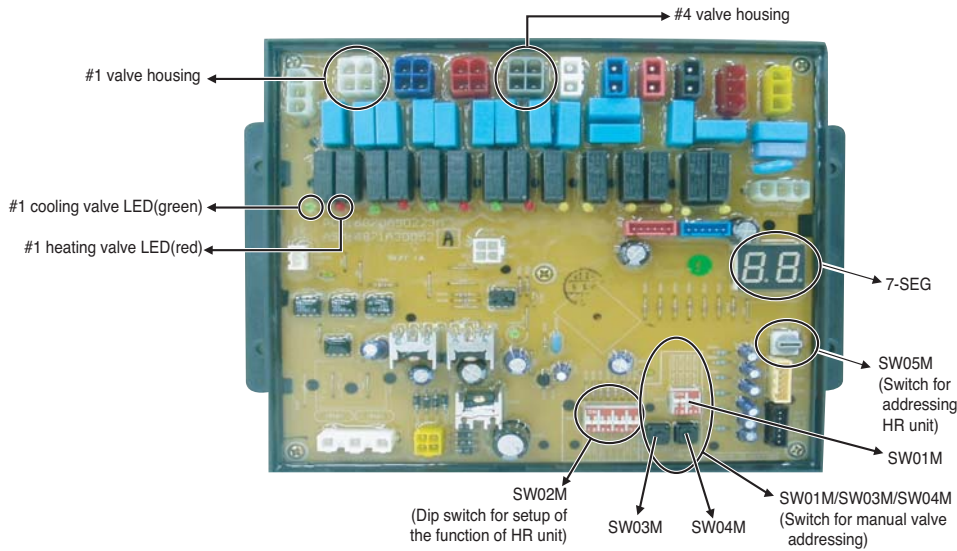


• Slave Unit

Dip switch setting	ODU Setting
	Slave 1
	Slave 2
	Slave 3

8. Electrical Wiring

8.3 HR Unit PCB



8.3.1 Switch for setup of HR Unit

■ Main function of SW02M

<p>SW02M</p>	ON S/W	Selection	
	No.1	Method for pipe detection of an HR unit (Auto/Manual)	
	No.2	Model of HR unit	
	No.3	Model of HR unit	
	No.4	Model of HR unit	
	No.5	Valve group setting	
	No.6	Valve group setting	
	No.7	Use only in factory production (preset to "OFF")	Zoning setting ("ON")
No.8	Use only in factory production (preset to "OFF")		

1) Selection of the method for pipe detection of an HR unit (Auto/Manual)

<p>Switch No.1 Off</p> <p>Auto</p>	<p>Switch No.1 On</p> <p>Manual</p>
---	--

2) Setting the zoning control

	DIP S/W setting	
Normal control		<p>SW01M</p>
Zoning control		<p>SW01M</p> <p>Turn the dip switch of the zoning branch on. Ex) Branch 1,2 are zoning control.</p>

8. Electrical Wiring

3) Selection of the model of the HR unit

	<p>(For 2 branches) PRHR021/PRHR022</p>	<p>(For 3 branches) PRHR031/PRHR032</p>	<p>(For 4 branches) PRHR041/PRHR042</p>
Initial Setting			
1 branches Connected			
2 branches Connected			
3 branches Connected			
4 branches Connected			

※ Each model is shipped with the switches No.2 and No.3 pre-adjusted as above in the factory.

WARNING

- If you want to use a PRHR031/PRHR032 for 2 branches HR unit after closing the 3rd pipes, set the dip switch for 2 branches HR unit.
- If you want to use a PRHR041/PRHR042 for 3 branches HR unit after closing the 4th pipes, set the dip switch for 3 branches HR unit.
- If you want to use a PRHR041/PRHR042 for 2 branches HR unit after closing the 3rd and 4th pipes, set the dip switch for 2 branches HR unit.
- The unused port must be closed with a copper cap, not with a plastic cap.

8. Electrical Wiring

4) Setting the Valve Group.

	DIP S/W setting	Example
Not control		
No.1, 2 Valve Control		
No.2, 3 Valve Control		
No.3, 4 Valve Control		
No.1, 2 Valve / No.3, 4 Valve Control		

Note: If the large capacity(76kBtu/h and 96kBtu/h grade) indoor units are installed, below Y branch pipe should be used

* Y branch pipe

[Unit:mm]

Models	Gas Pipe	Liquid pipe
ARBLN03321		

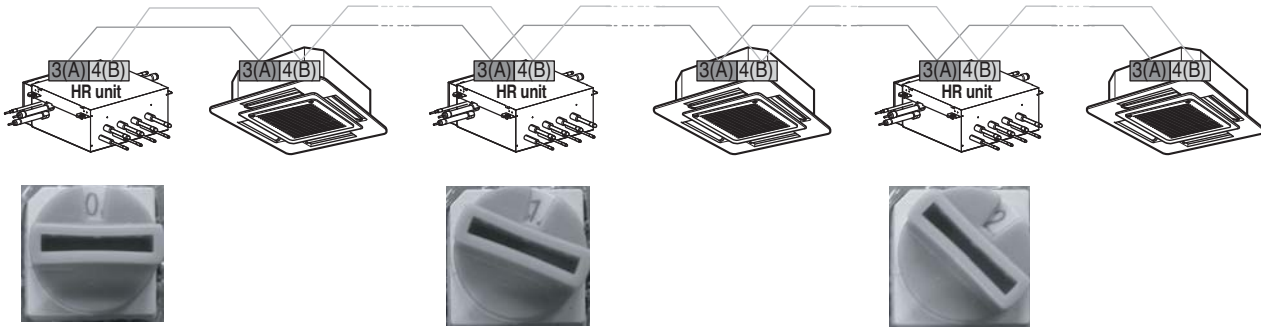
8. Electrical Wiring

■ SW05M (Rotary S/W for addressing HR unit)

Must be set to '0' when installing only one HR unit.

When installing multiple HR units, address the HR units with sequentially increasing numbers starting from '0'. Maximum 16 HR Units can be installed.

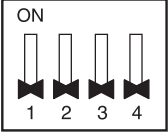


Ex) Installation of 3 HR units



■ SW01M/SW03M/SW04M (Dip S/W and tact S/W for manual valve addressing)

1) Normal setting (Non-Zoning setting)

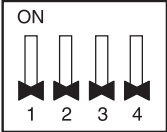


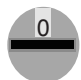
- Set the address of the valve of the HR unit to the central control address of the connected indoor unit.
- SW01M: selection of the valve to address
SW03M: increase in the digit of 10 of valve address
SW04M: increase in the last digit of valve address
- Prerequisite for manual valve addressing : central control address of each indoor unit must be preset differently at its wired remote control.

	S/W No.	Setup
 <p data-bbox="264 1434 347 1464">SW01M</p>	<p data-bbox="646 1285 704 1315">No.1</p> <p data-bbox="646 1357 704 1387">No.2</p> <p data-bbox="646 1430 704 1459">No.3</p> <p data-bbox="646 1502 704 1532">No.4</p>	<p data-bbox="805 1285 1166 1315">Manual addressing of valve #1</p> <p data-bbox="805 1357 1166 1387">Manual addressing of valve #2</p> <p data-bbox="805 1430 1166 1459">Manual addressing of valve #3</p> <p data-bbox="805 1502 1166 1532">Manual addressing of valve #4</p>
<p data-bbox="277 1602 354 1632">SW03M</p> 	<p data-bbox="630 1598 722 1627">SW03M</p>	<p data-bbox="805 1598 1305 1627">Increase in the digit of 10 of valve address</p>
<p data-bbox="277 1719 354 1749">SW04M</p> 	<p data-bbox="630 1715 722 1744">SW04M</p>	<p data-bbox="805 1715 1289 1744">Increase in the last digit of valve address</p>

8. Electrical Wiring

2) Zoning setting

- Set the address of the valve of the HR unit to the central control address of the connected indoor unit.
- SW01M : selection of the valve to address
 SW03M : increase in the digit of 10 of valve address
 SW04M : increase in the last digit of valve address
 SW05M : Rotary S/W
- Prerequisite for manual valve addressing : central control address of each indoor unit must be preset differently at its wired remote control.

	S/W No.	Setup
 SW01M	No.1	Manual addressing of valve #1
	No.2	Manual addressing of valve #2
	No.3	Manual addressing of valve #3
	No.4	Manual addressing of valve #4
 SW03M	SW03M	Increase in the digit of 10 of valve address
 SW04M	SW04M	Increase in the last digit of valve address
 SW05M	SW05M	Manual addressing of zoning indoor units

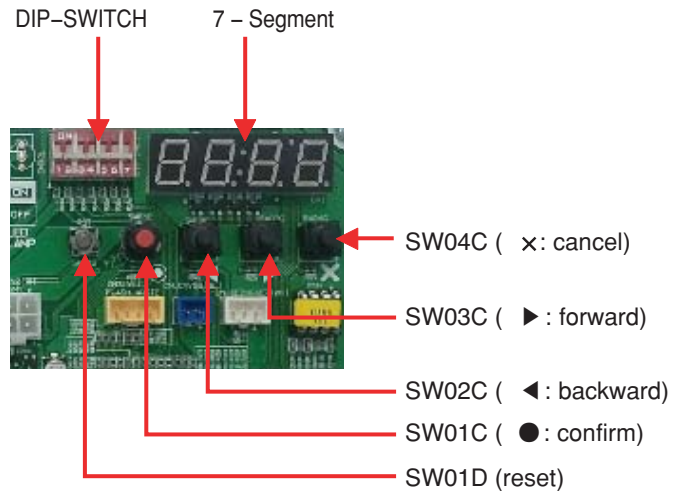
8. Electrical Wiring

8.4 Automatic Addressing

8.4.1 The address of indoor units would be set by auto addressing

- 1) Wait for 3 minutes after supplying power.
(Master and Slave outdoor units, indoor units)
- 2) Press RED button of the outdoor units for 5 seconds.
(SW01C)
- 3) A "88" is indicated on 7-segment LED of the outdoor unit PCB.
- 4) For completing addressing, 2~7 minutes are required depending on numbers of connected indoor units
- 5) Numbers of connected indoor units whose addressing is completed are indicated for 30 seconds on 7-segment LED of the outdoor unit PCB
- 6) After completing addressing, address of each indoor unit is indicated on the wired remote control display window. (CH01, CH02, CH03,, CH06 : Indicated as numbers of connected indoor units)

■ Main PCB



⚠ CAUTION

- In replacement of the indoor unit PCB, always perform Auto addressing setting again (At that time, please check about using Independent power module to any indoor unit.)
- If power supply is not applied to the indoor unit, operation error occur.
- Auto addressing is only possible on the master Unit.
- Auto addressing has to be performed after 3 minutes to improve communication.

8.4.2 Automatic detection

Automatic pipe detection

1. Turn No.1 of SW02M of HR unit PCB off.
 2. Confirm that the setting of No.2, 3 of SW02M corresponds with the number of indoor units.
 3. Reset the power of HR unit PCB
 4. Master unit PCB DIP switch on : No.5
 5. Select the mode using '▶', '◀' Button : "Idu" Push the '●' button
 6. Select the "Id 5" function using '▶', '◀' Button : "Ath" or "Atc" Push the '●' button.
Outdoor temperature is over 15°C(59°F) : Use "Atc" (If it fail, try again with using "Ath")
Outdoor temperature is below 15°C(59°F) : Use "Ath" (If it fail, try again with using "Atc")
 7. Select the mode using '▶', '◀' Button : "Idu" Push the '●' button
 8. Select the "Id 6" function using '▶', '◀' Button : "StA" Push the '●' button
 9. Operated after 88 is displayed on 7-SEG of the outdoor unit main PCB.
 10. Pipe detection proceed.
 11. 5~30 minutes are required depending on the number of the indoor units and outdoor temperature.
 12. The number of the indoor units installed is displayed on 7-SEG of the outdoor unit main PCB for about 1 minute
 - For a HR unit, the number of the indoor units connected to each HR unit is displayed.
 - '200' is displayed in case of auto pipe detection error, and auto detection is completed after '88' is disappeared.
- * Auto pipe detection function : the function that sets connection relationship automatically between the indoor unit and HR unit.

8. Electrical Wiring

WARNING

1. Execute auto addressing and auto pipe detection again whenever the indoor PCB and HR unit PCB is replaced.
 - Operation error occurs unless power is applied to the indoor and HR units.
2. Error No.200 occurs if the number of connected indoor units and that of scanned indoor units are different.
3. When auto pipe detection fails, complete it with manual pipe detection (see Manual pipe detection).
4. When auto pipe detection addressing is completed normally, manual pipe detection is not required.
5. If you want to do auto pipe detection again after auto pipe detection fails, do after reset of outdoor unit by all means.
6. During 5 minutes after pipe detection is completed, do not turn off the main unit PCB to save the result of pipe detection automatically.

8.4.3 Manual pipe detection

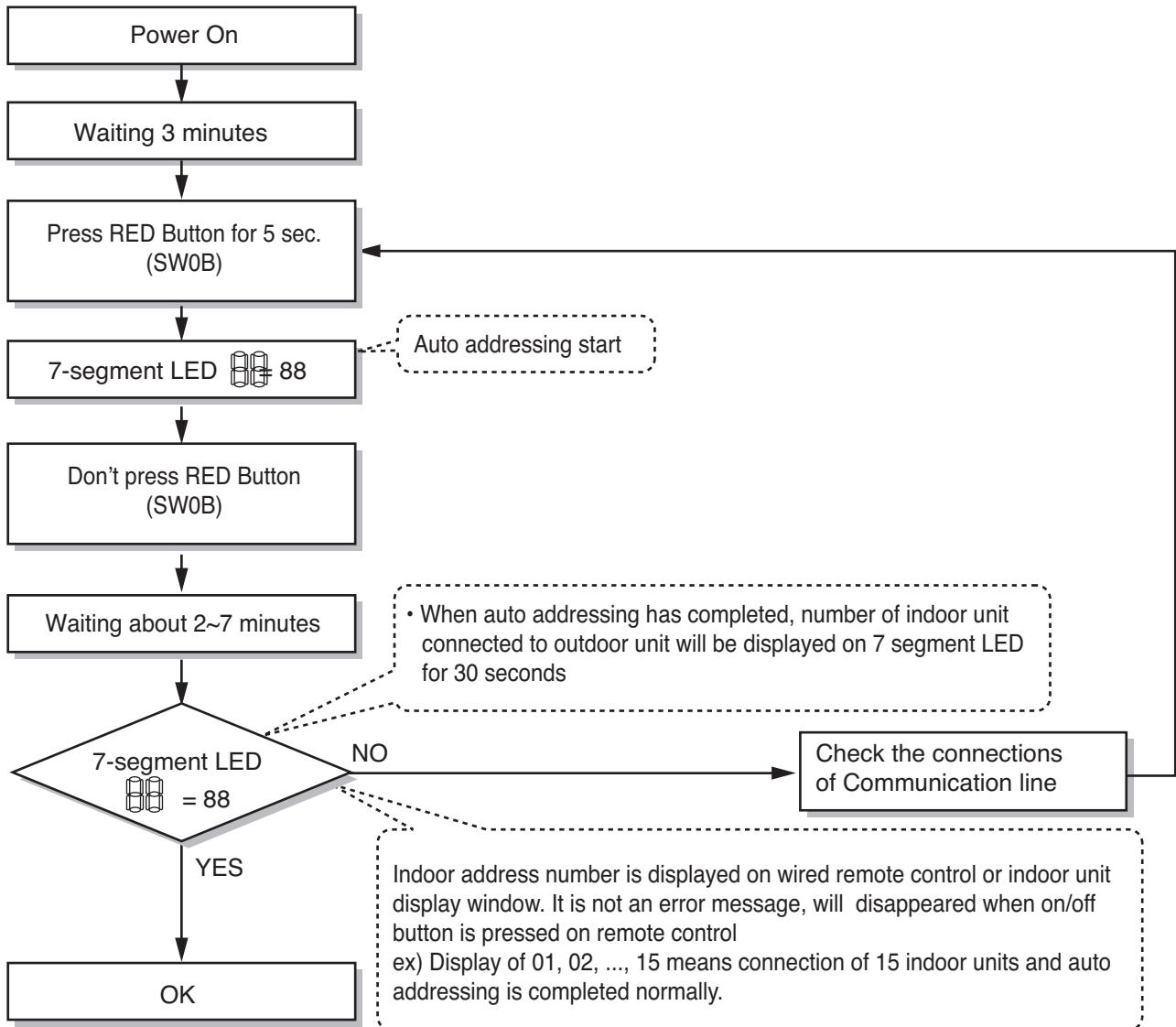
1. Enter the central control address into each indoor unit using its wired remote control.
2. Turn No.1 of SW02M of HR unit PCB on.
3. Reset the power of HR unit PCB.
4. On the HR unit PCB, manually set address of each valve of the HR unit to the central control address of the indoor unit connected to the valve.
5. Reset the power of outdoor unit PCB.
6. The number of the indoor unit installed is displayed after about 5 minutes.
Ex) HR ➡ The number of the indoor
7. Reset the power of outdoor unit PCB, HR unit.
8. Manual pipe detection is completed

WARNING

1. In case that central controller is not installed, remain the address data after installer sets central control address as he wants
2. In case that central controller is installed, there would be central control address in wired remote control of indoor unit.
3. In this case, set the HR unit manual pipe address according to central control address of indoor unit.
4. Pipe which is not connected with indoor unit should be set different address with pipe Connected with indoor unit.
(If addresses are piled up, corresponding valve is not working.)
5. If you want to change the setting of manual pipe, you should do it on HR unit PCB.
6. If an error occurred, it means that manual pipe setting is not completed.
7. During 5 minutes after pipe detection is completed, do not turn off the main unit PCB to save the result of pipe detection automatically.

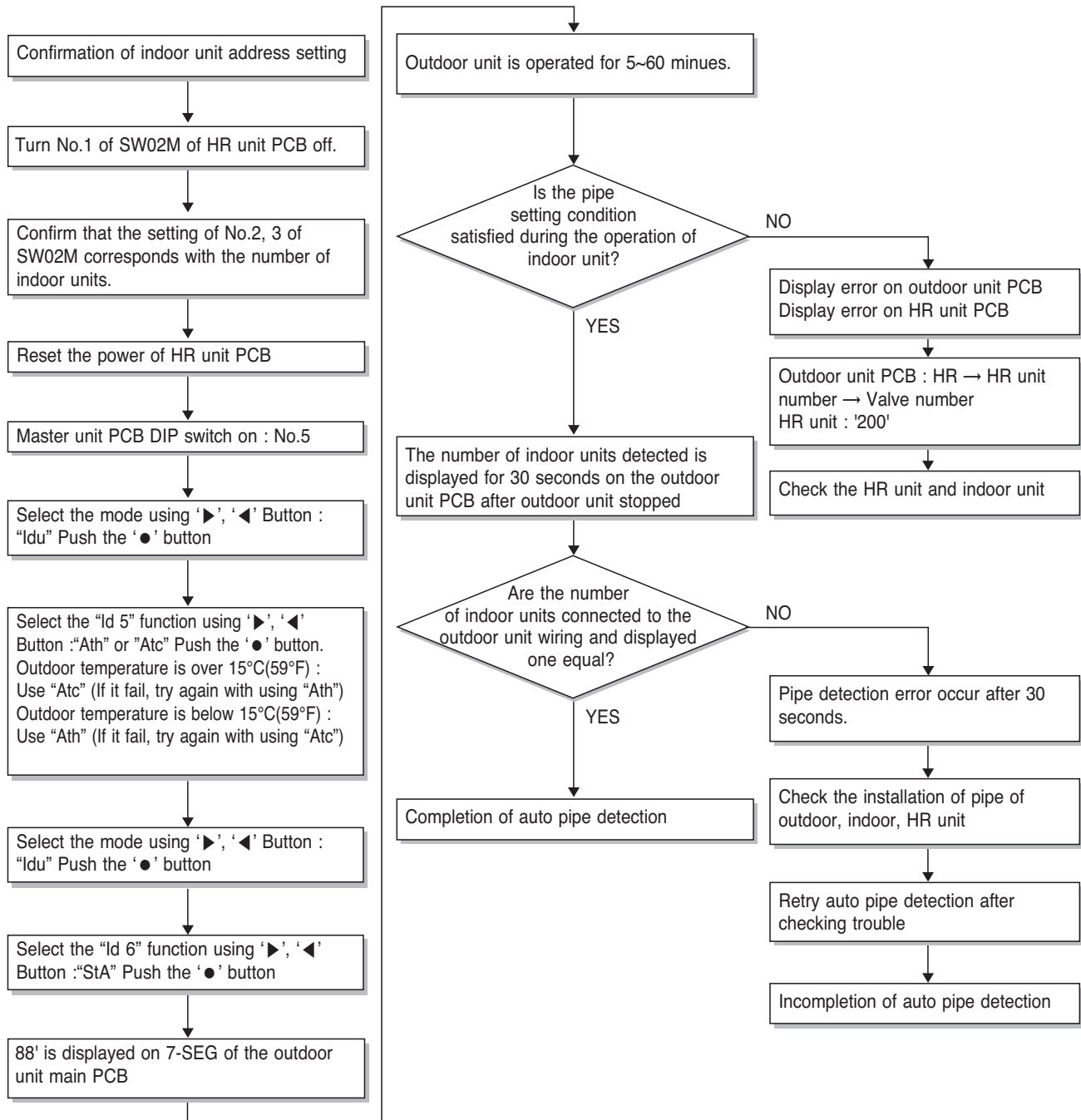
8. Electrical Wiring

◆ The Procedure of Automatic Addressing



8. Electrical Wiring

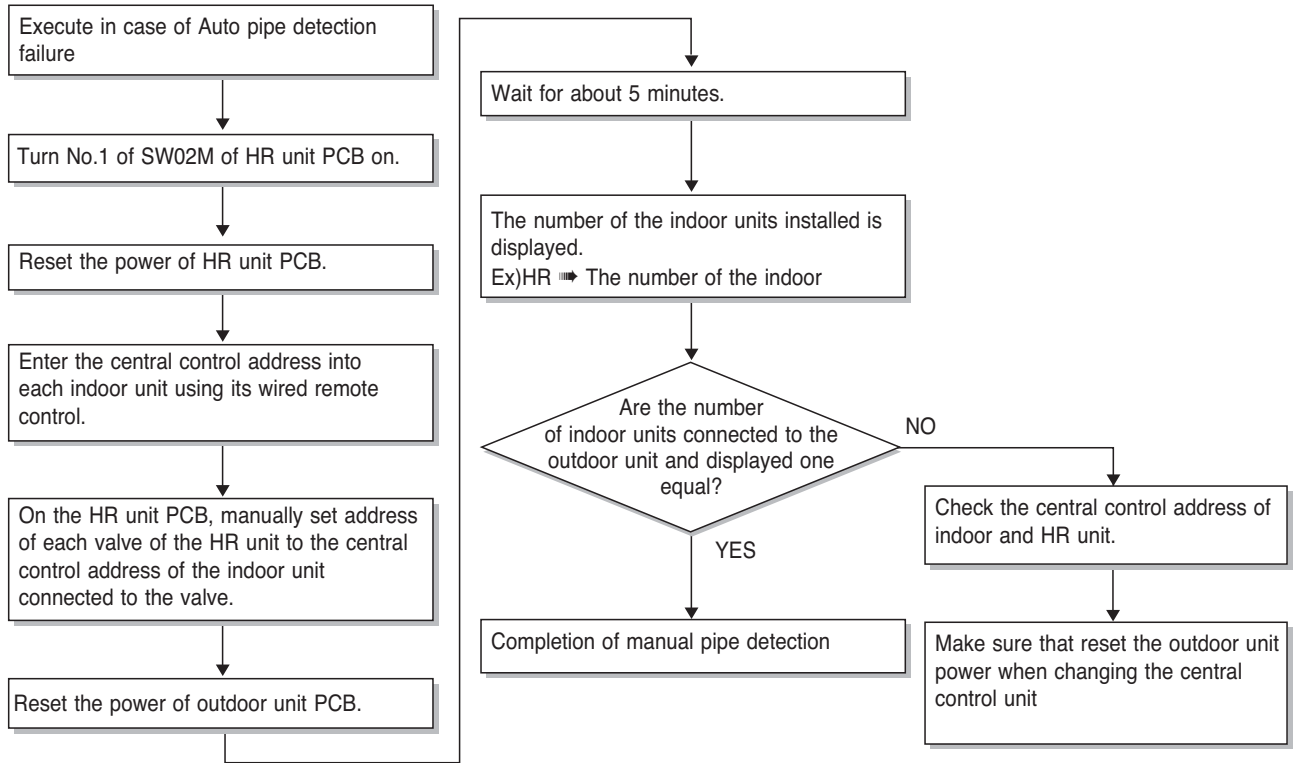
◆ Flow chart of auto addressing for pipe detection



* It is possible to be generated mode changing noise of heating and cooling which is normal. There is no mode changing noise at normal operation.

8. Electrical Wiring

◆ Flow chart of manual addressing for pipe detection



Special Guide

1. Cautions for Refrigerant Leaks

1.1 Introduction

1.2 Checking procedure of limiting concentration

2. Installation Guide at the Seaside

1. Caution For Refrigerant Leaks

The installer and system specialist shall secure safety against leakage according to local regulations or standards. The following standards may be applicable if local regulations are not available.

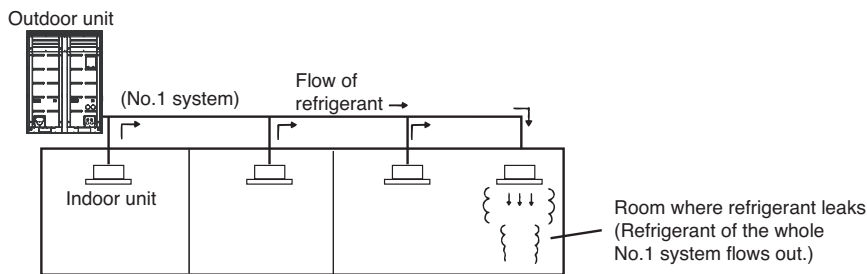
1.1 Introduction

Though the R410A refrigerant is harmless and incombustible itself, the room to equip the air conditioner should be large to such an extent that the refrigerant gas will not exceed the limiting concentration even if the refrigerant gas leaks in the room.

1.1.1 Limiting concentration

Limiting concentration is the limit of Freon gas concentration where immediate measures can be taken without hurting human body when refrigerant leaks in the air. The limiting concentration shall be described in the unit of kg/m³ (Freon gas weight per unit air volume) for facilitating calculation.

Limiting concentration: 0.44kg/m³(R410A)



1.2 Checking procedure of limiting concentration

Check limiting concentration along following steps and take appropriate measure depending on the situation.

1.2.1 Calculate amount of all the replenished refrigerant (kg) per each refrigerant system.

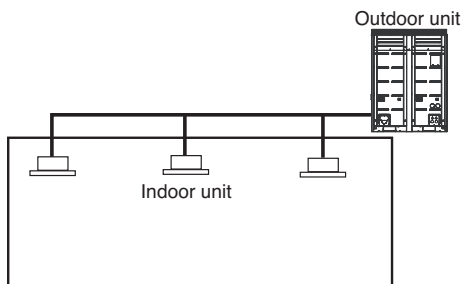
Amount of replenished refrigerant per one outdoor unit system	+	Amount of additional replenished refrigerant	=	Total amount of replenished refrigerant in refrigerant facility (kg)
Amount of replenished refrigerant at factory shipment		Amount of additionally replenished refrigerant depending on piping length or piping diameter at customer		

Note : In case one refrigerant facility is divided into 2 or more refrigerant systems and each system is independent, amount of replenished refrigerant of each system shall be adopted.

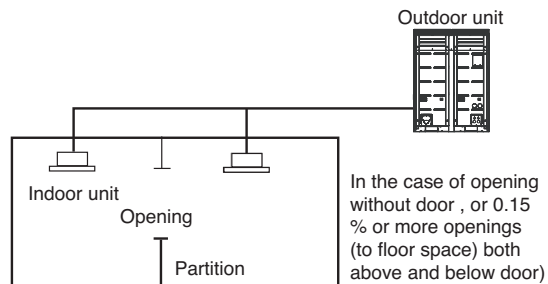
1.2.2 Calculate minimum room capacity

Calculate room capacity by regarding a portion as one room or the smaller room.

(1) Without partition

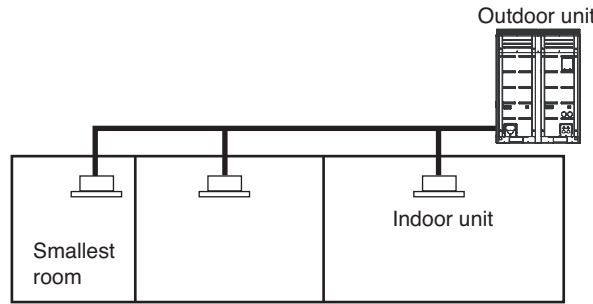


(2) With partition and with opening which serve as passage of air to adjoining room



1. Caution For Refrigerant Leaks

(3) With partition and without opening which serve as passage of air to adjoining room



■ Calculate refrigerant concentration

$$\frac{\text{Total amount of replenished refrigerant in refrigerant facility (kg)}}{\text{Capacity of smallest room where indoor unit is installed (m}^3\text{)}} \leq \text{Refrigerant concentration (kg/m}^3\text{)} \quad \text{(R410A)}$$

In case the result of calculation exceeds the limiting concentration, perform the same calculations by shifting to the second smallest, and the third smallest rooms until at last the result is below the limiting concentration.

■ In case the concentration exceeds the limit

When the concentration exceeds the limit, change original plan or take one of the counter measure shown below:

• Counter measure 1

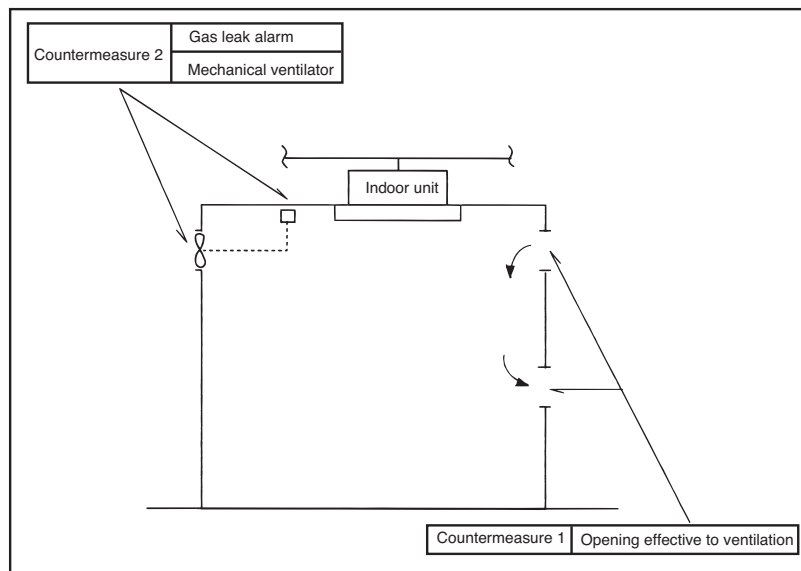
Provide opening for ventilation.

Provide 0.15% or more opening to floor space both above and below door, or provide opening without door.

• Counter measure 2

Provide gas leak alarm linked with mechanical ventilator.

Reducing the outdoor refrigerant qty.



Pay a special attention to the place, such as a basement, etc. where refrigerant can stay, since refrigerant is heavier than air.

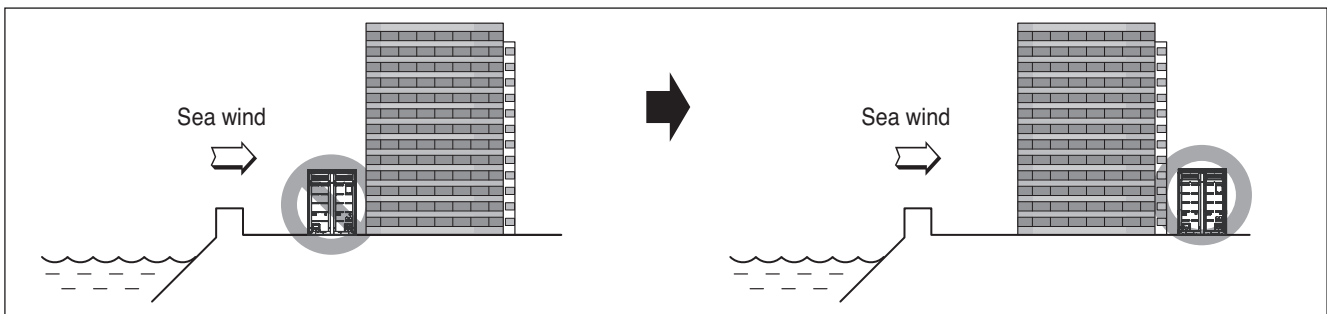
2. Installation Guide at the seaside

CAUTION

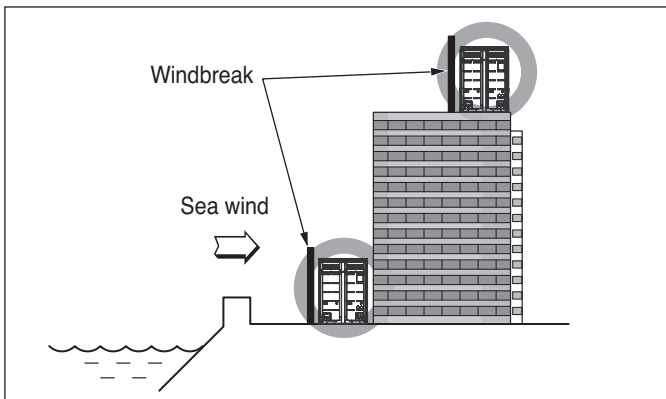
1. Air conditioners must not be installed in areas where corrosive gases, such as acid or alkaline gas, are produced.
2. Do not install the product where it could be exposed to sea wind (salty wind) directly. It can result corrosion on the product. Corrosion, particularly on the condenser and evaporator fins, could cause product malfunction or inefficient performance.
3. If outdoor unit is installed close to the seaside, it should avoid direct exposure to the sea wind. Otherwise it needs additional corrosion resistance treatment on the heat exchanger.

2.1 Selecting the location(Outdoor Unit)

- 1) If the outdoor unit is to be installed close to the seaside, direct exposure to the sea wind should be avoided. Install the outdoor unit on the opposite side of the sea wind direction.



- 2) In case, to install the outdoor unit on the seaside, set up a windbreak not to be exposed to the sea wind.



- It must be strong enough like concrete to prevent the sea wind from the sea.
- The height and width should be more than 150% of the outdoor unit.
- It must be keep more than 70 cm of space between outdoor unit and the windbreak for easy air flow.

- 3) Select a well-drained place.

- 4) Where the distance between the outdoor unit and the sea shore is more than 1km
(Ensure the distance between the outdoor unit and the sea shore is more than 300m and less than 1km for the Corrosion Resistance models.)

Periodic (more than once/year) cleaning of the dust or salt particles stuck on the heat exchanger by using liquid.

* LG is not warranty that HEX periodic cleaning is not doing or windbreak is not installed.



Setting the functions

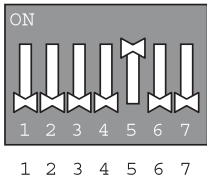
- 1. Setting the functions**
- 2. Applicability of functions**

Appendix information

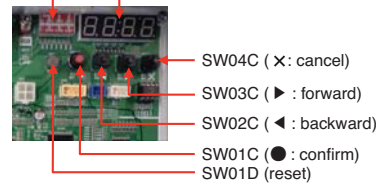
**MFL67893903_01B
February / 2015**

1. Setting the function

Select the mode/function/option/value using '▶', '◀' Button and confirm that using the '●' button after dip switch No.5 is turned on.



DIP-SW01 7 - Segment



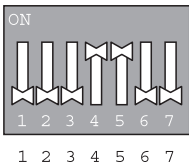
Mode		Function		Option			Value		Action		Remarks
Content	Display1	Content	Display2	Content	Display3	Content	Display4	Implement	Display5		
FDD	Fdd	Refrigerant auto charging (cooling)	Fd1	-	-	-	-	-	Operate	show the process	-
		Refrigerant auto charging (heating)	Fd2	-	-	-	-	-	Operate	show the process	-
		Refrigerant amount auto judgment(cooling)	Fd3	-	-	-	-	-	Operate	show the process	-
		Refrigerant amount auto judgment(heating)	Fd4	-	-	-	-	-	Operate	show the process	-
		Integrated Test Run (Cooling)	Fd5	-	-	-	-	-	Operate	show the process	-
		Integrated Test Run (Heating)	Fdb	-	-	-	-	-	Operate	show the process	-
Installation	Func	Cool & Heat Selector	Fn1	oFF	op1~op2	selected the option	-	-	change the set value	blank	save in EEPROM
		Static pressure compensation	Fn2	oFF	op1~op3	selected the option	-	-	change the set value	blank	save in EEPROM
		Night low noise	Fn3	oFF	op1~op12	selected the option	-	-	change the set value	blank	save in EEPROM
		Overall defrost	Fn4	on	oFF	selected the option	-	-	change the set value	blank	save in EEPROM
		ODU address	Fn5	-	-	-	0~255	set the value	change the set value	blank	save in EEPROM
		Snow removal & rapid defrost	Fnb	oFF	op1~op3	selected the option	-	-	change the set value	blank	save in EEPROM
		IDU capacity adjusting	Fn7	-	op1~op2	selected the option	-	-	change the set value	blank	save in EEPROM
		Target pressure adjusting	Fn8	-	op1~op4	selected the option	-	-	change the set value	blank	save in EEPROM
		Comfort Operation	Fn9	on	oFF	selected the option	-	-	change the set value	blank	save in EEPROM
		Auto Dust Removal	Fn10	on	oFF	selected the option	-	-	change the set value	blank	save in EEPROM
SVC	Svc	Pump Down	SE1	-	-	-	-	-	start operation	Pd	-
		Pump Out	SE2	-	-	-	-	-	start operation	Pa	-
		Vacuum mode	SE3	-	-	-	-	-	start operation	uAcc	-
		Backup	SE4	unit	inv1~inv2	selected the option	-	-	start operation	on oFF	save in EEPROM
		Forced oil return	SE5	-	-	-	-	-	start operation	o1	-
		Forced defrost	SEb	-	-	-	-	-	start operation	dEF	-
		Cycle data view	SE7	-	op1~op26	-	-	-	Show in segment	Show the each numerical value in process	-
		Refrigerant noise reduction mode	SE8	oFF	op1~op2	selected the option	-	-	Change the set value	on oFF	save in EEPROM
IDU setting	idu	Maximum EEV pulse of non-operating IDUs	Id1	-	1~64	Selected the IDU	40~130	set the value	Change the set value	blank	save in EEPROM
		IDU SH adjusting on cooling	Id2	-	1~64	Selected the IDU	-10~10	set the value	Change the set value	blank	save in EEPROM
		IDU SC adjusting on heating	Id3	-	1~64	Selected the IDU	-10~10	set the value	Change the set value	blank	save in EEPROM
		Minimum EEV pulse of operating IDUs	Id4	-	1~64	Selected the IDU	100~600	set the value	Change the set value	blank	save in EEPROM

- Functions "save in EEPROM" will be kept continuously, though the system power was reset.
- For detail information about SVC and IDU setting functions, refer to the installation manual or SVC manual.

1. Setting the function

Mode		Function		Option		Value		Action		Remarks
Content	Display1	Content	Display2	Content	Display3	Content	Display4	Content	Display5	
User-Setting	55a	High sensible heat environment mode	5a2	oFF, on	-	-	-	change the set value	-	save in EEPROM
		Low load operation and Cold districe reinforce mode	5a3	oFF, on	-	-	-	change the set value	-	save in EEPROM

If DIP switch No.4 is on, So2 and So3 is selectable.



- * FDD function and Overall defrost is not applied for cooling only model, LTS4 model and PRO model
- Functions “save in EEPROM” will be kept continuously, though the system power was reset.
- For detail information about SVC and IDU setting functions, refer to the installation manual or SVC manual.

2. Applicability of functions

Applicability of each functions is different according to product type. Refer to the below list.

Category	Functions		Haet Pump		Cooling only	Heat Recovery	Tropical
			-TE4 models	-TS4, -TN4 models	-TS4,-TN4 models	-TE4 models	-TH4 models
FDD functions	1	Refrigerant auto charging (Cooling)	O	X	X	O	O
	2	Refrigerant auto charging (Heating)	O	X	X	O	O
	3	Refrigerant amount auto judgment (Cooling)	O	X	X	O	O
	4	Refrigerant amount auto judgment (Heating)	O	X	X	O	O
	5	Integrated Test Run (Cooling)	O	X	X	O	O
	6	Integrated Test Run (Heating)	O	X	X	O	O
Installation Setting	1	Cool & Heat Selector	O	O	O	X	O
	2	Static pressure compensation	O	O	O	O	O
	3	Night low noise	O	O	O	O	O
	4	Overall defrost	O	X	X	O	X
	5	ODU address	O	O	O	O	O
	6	Snow removal & rapid defrost	O	O	X	O	O
	7	IDU capacity adjusting	O	O	O	O	O
	8	Target pressure adjusting	O	O	O	O	O
	9	Comfort Operation	O	O	O	O	O
	10	Auto Dust Removal	X	X	X	X	O
SVC Convenience	1	Pump Down	O	O	O	O	O
	2	Pump Out	O	O	X	O	O
	3	Vacuum mode	O	O	O	O	O
	4	Backup	O	O	O	O	O
	5	Forced oil return	O	O	O	O	O
	6	Forced defrost	O	O	X	O	O
	7	Cycle data view	O	O	O	O	O
	8	Refrigerant noise reduction mode	O	O	O	O	O
IDU setting	1	Maximum EEV pulse of non-operating IDUs	O	O	O	O	O
	2	IDU SH adjusting on cooling	O	O	O	O	O
	3	IDU SC adjusting on heating	O	O	X	O	O
	4	Minimum EEV pulse of operating IDUs	O	O	O	O	O

MULTI V™ WATER IV

MULTI V™ IV
Heat Recovery

HR Unit

- 1. Specifications**
- 2. Parts Function**
- 3. Dimensions**
- 4. Piping Diagrams**
- 5. Wiring Diagrams**
- 6. Sound Levels**

Appendix information

MFL67893906_02B

May / 2015

Heat Recovery

1. Specifications

Model		PRHR021 PRHR022	PRHR031 PRHR032	PRHR041 PRHR042	
Max. Connectable No. of Indoor Units		16	24	32	
Max. Connectable No. of Indoor Units of a branch		8	8	8	
Nominal Input	Cooling(W)	26	40	40	
	Heating(W)	26	40	40	
Net. Weight	kg	18	20	22	
	lbs	39.7	44.1	48.5	
Dimensions (WxHxD)	mm	831 x 218 x 617	831 x 218 x 617	831 x 218 x 617	
	Inch	32-23/32 x 8-19/32 x 24-9/32	32-23/32 x 8-19/32 x 24-9/32	32-23/32 x 8-19/32 x 24-9/32	
Casing		Galvanized steel plate			
Connecting Pipes	Indoor side	Liquid Pipe [mm/inch]	Ø9.52[3/8]		
		Gas Pipe [mm/inch]	Ø15.88[5/8]		
	Outdoor side	Liquid [mm/inch]	Ø9.52[3/8]	Ø12.7[1/2]	Ø15.88[5/8]
		Low Pressure [mm/inch]	Ø22.2[7/8]	Ø28.58[1-1/8]	Ø28.58[1-1/8]
		High Pressure [mm/inch]	Ø19.05[3/4]	Ø22.2[7/8]	Ø22.2[7/8]
Sound Absorbing Insulation Material		Polyethylene Foam			
Current	Minimum circuit Amps(MCA)	0.2			
	Maximum fuse Amps(MFA)	15			
Power Supply		1Ø, 220-240V, 50Hz / 1Ø, 220V, 60Hz			

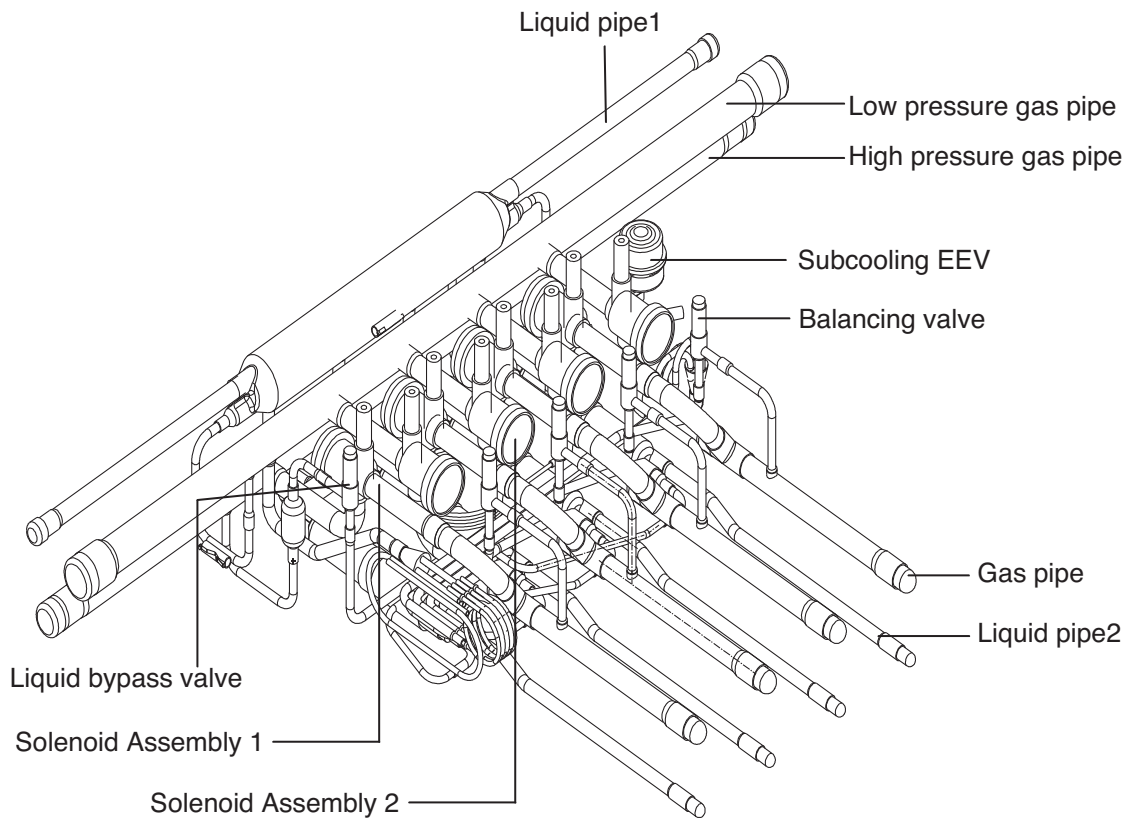
Notes:

1. Voltage range : Units are suitable for use on electrical systems where voltage supplied to units terminals is not below or above listed range limits.
2. Maximum allowable voltage unbalance between phases is 2%
3. MCA/MFA $MCA = 1.25 * FLA$
 $MFA \leq 4 * FLA$
(Next lower standard fuse rating. Min. 15A)
4. Select wire size based on the MCA
5. Instead of fuse, use circuit.

Heat Recovery

2. Parts Function

Parts Name	Symbol	Major Function
Low pressure gas pipe	LPGV	Pipe for Low pressure gas
High pressure gas pipe	HPGV	Pipe for High pressure gas
Liquid pipe 1	LP1	Liquid pipe connected with outdoor unit
Liquid bypass valve	LBV	Prevent Liquid charging
Solenoid Assembly 1, 2	SOL1, 2	Control the path for heating or cooling
Liquid pipe 2	LP2	Liquid pipe connected with indoor unit
Gas pipe	GSP	Gas pipe connected with indoor unit
Balancing valve	BLV	Control the pressure between High and Low pressure pipe during operation switching
Subcooling EEV	SCEEV	Control the subcooling



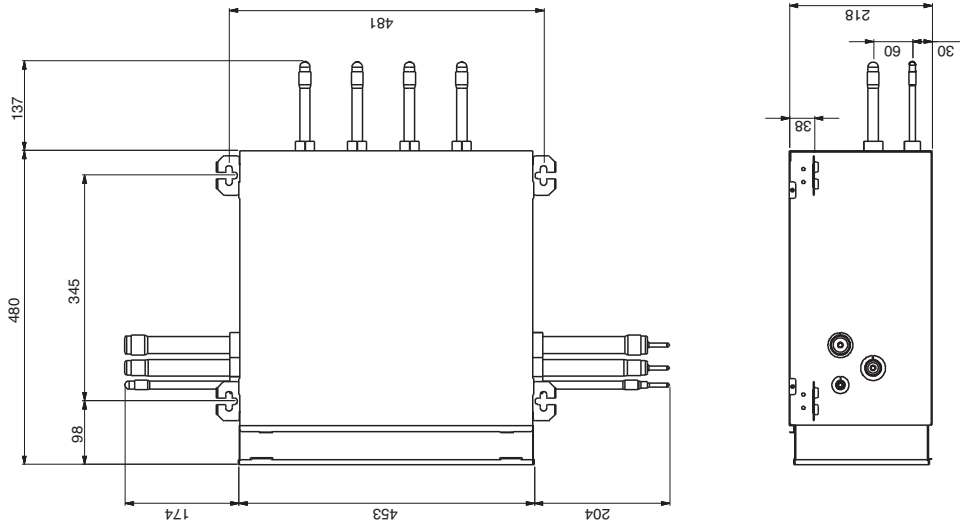
Heat Recovery

3. Dimensions

Outdoor Unit

PRHR021
PRHR031
PRHR041
PRHR022
PRHR032
PRHR042

[Unit : mm]



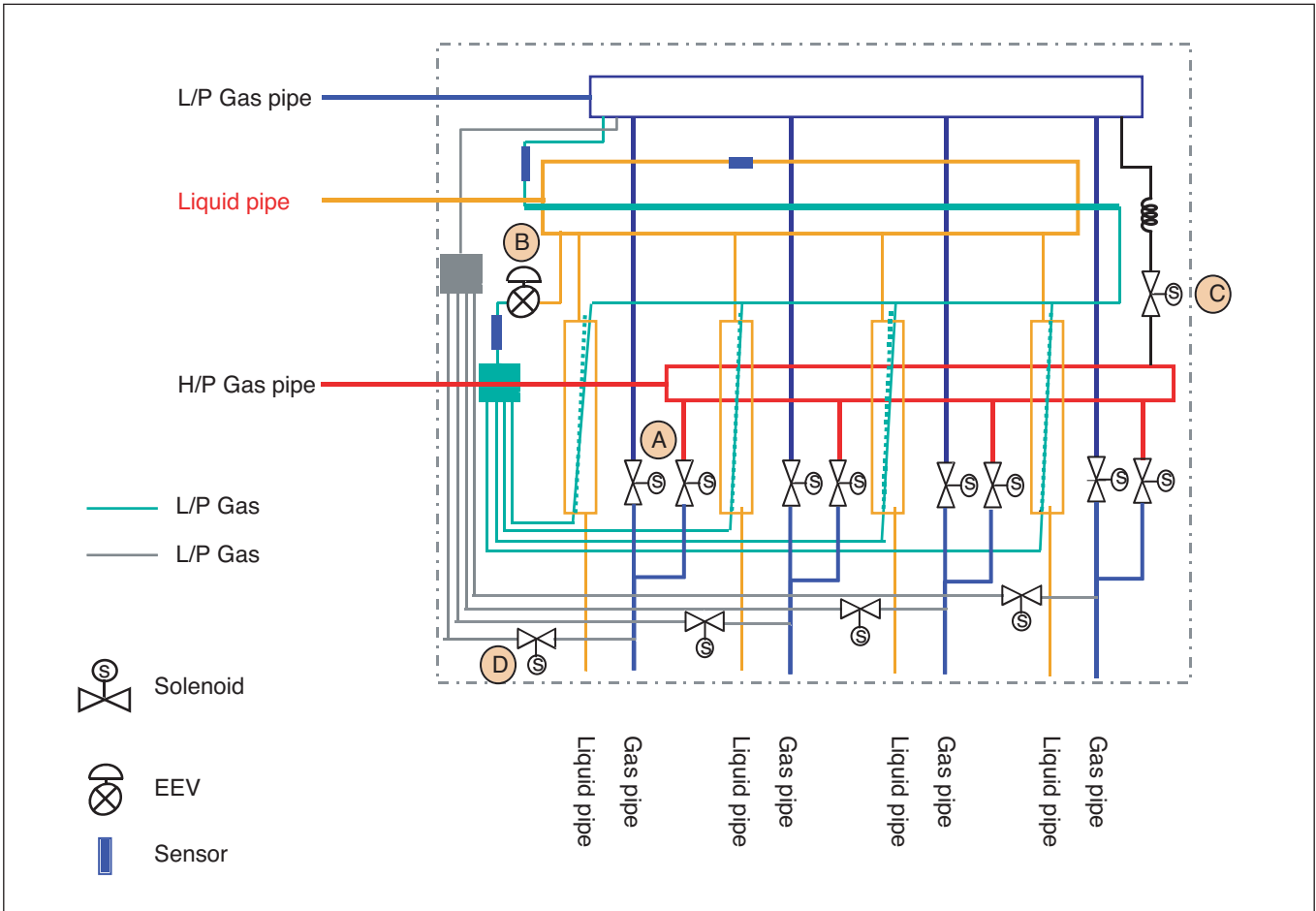
Chassis Code: UX2

 LG Electronics

HR Unit

Heat Recovery

4. Piping Diagrams

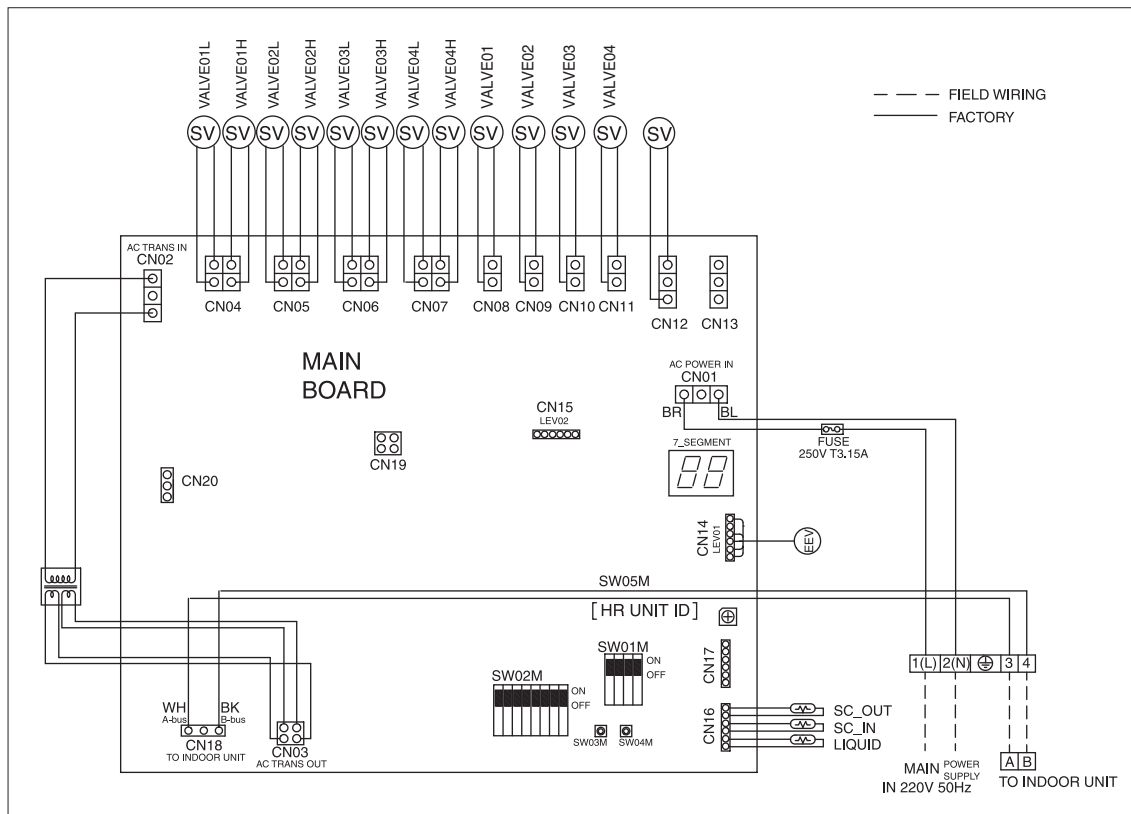


- Ⓐ : To be switched operation between cooling and heating by two Sol. Valves
- Ⓑ : To be used decreasing noise according to sub-cooling of inlet of indoor unit and outlet of indoor unit(Simultaneous operation)
- Ⓒ : To prevent liquid charging between H/P gas valve and HR unit at cooling mode
- Ⓓ : To be controlled the pressure between High and Low pressure pipe during operation switching

Heat Recovery

5. Wiring Diagrams

Models : PRHR021, PRHR031, PRHR041

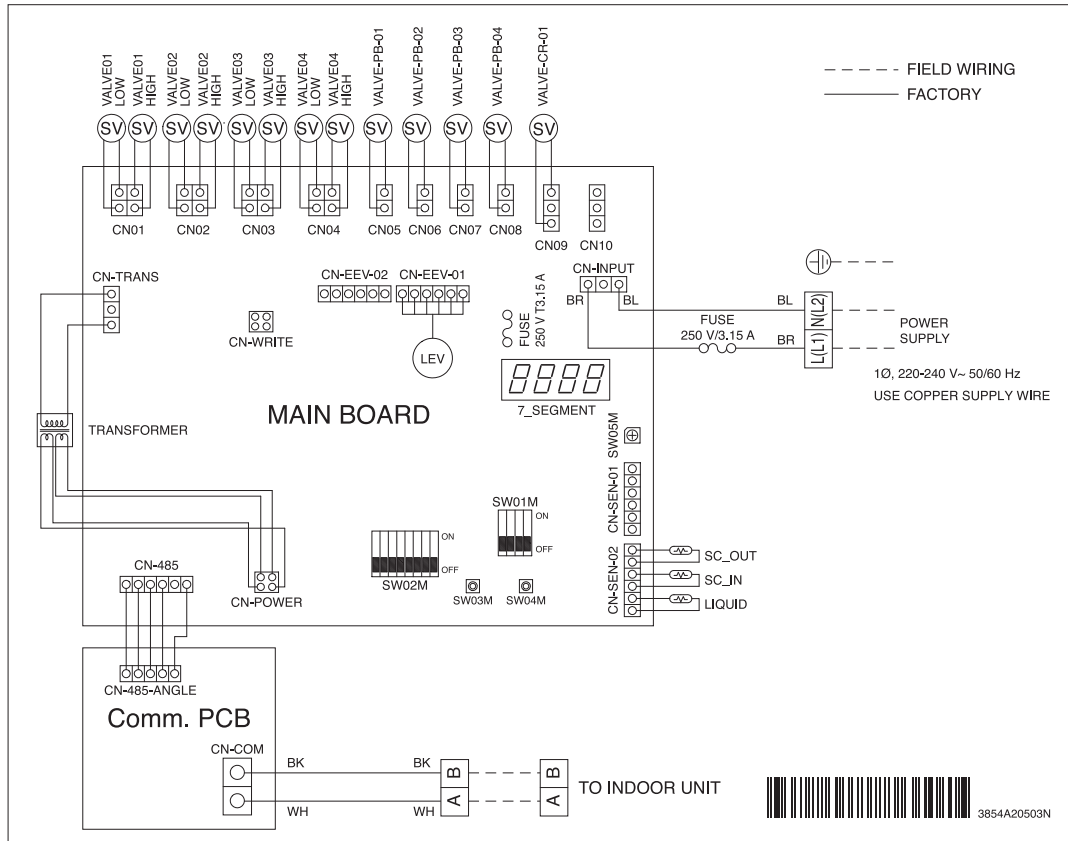


CN04	Solenoid Valve 01L/H(For Room1)
CN05	Solenoid Valve 02L/H(For Room2)
CN06	Solenoid Valve 03L/H(For Room3)
CN07	Solenoid Valve 04L/H(For Room4)
CN08	Solenoid Valve 01 (Bypass for Room1)
CN09	Solenoid Valve 02 (Bypass for Room2)
CN10	Solenoid Valve 03 (Bypass for Room3)
CN11	Solenoid Valve 04 (Bypass for Room4)
CN12	Solenoid Valve Bypass
CN14	Sub Cooling EEV
CN16(SC Out)	Sensor, Sub Cooling Out
CN16(SC In)	Sensor, Sub Cooling in
CN18(Liquid)	Sensor, Liquid Receiver
SW01M	Solenoid Valve Number Setting(When Manual address)
SW02M(1)	Selecting, Auto Address(↓) or manual Address(↑)
SW02M(2~3)	Setting, Total Number of Indoor connected
SW03M	Setting, the Address of indoor_10(When manual Address)
SW04M	Setting, the Address of indoor_1(When Manual Address)
SW05M	Setting, HR Unit Number

Heat Recovery

5. Wiring Diagrams

Models : PRHR022, PRHR032, PRHR042



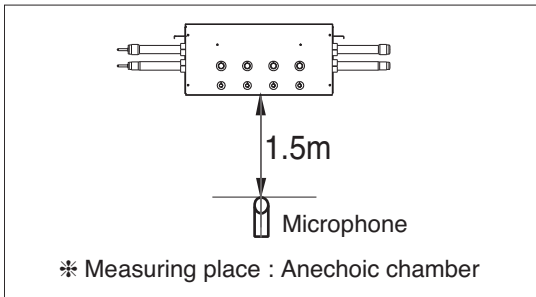
CN01	Solenoid Valve 01L/H(For Room1)
CN02	Solenoid Valve 02L/H(For Room2)
CN03	Solenoid Valve 03L/H(For Room3)
CN04	Solenoid Valve 04L/H(For Room4)
CN05	Solenoid Valve 01 (Bypass for Room1)
CN06	Solenoid Valve 02 (Bypass for Room2)
CN07	Solenoid Valve 03 (Bypass for Room3)
CN08	Solenoid Valve 04 (Bypass for Room4)
CN09	Solenoid Valve Bypass 01
CN10	-
CN EEV 01	Sub Cooling LEV
CN_SEN_02(SC_OUT)	Sensor, Sub Cooling Out
CN_SEN_02(SC_IN)	Sensor, Sub Cooling In
CN_SEN_02(LIQUID)	Sensor, Liquid Receiver
SW01M	Solenoid Valve Number Setting(When Manual Address)
SW02M(1)	Selecting, Auto Address(↓)or Manual Address(↑)
SW02M(2~3)	Setting, Total Number of Indoor connected
SW03M	Setting, the Address of indoor_10(When Manual Address)
SW04M	Setting, the Address of indoor_1(When Manual Address)
SW05M	Setting, HR Unit Number

Heat Recovery

6. Sound Levels

6.1 Sound Pressure Levels

Overall

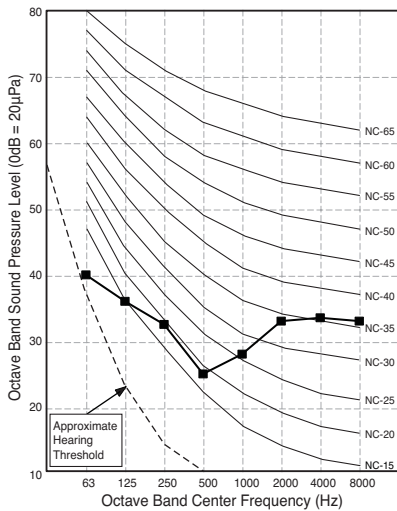


Notes:

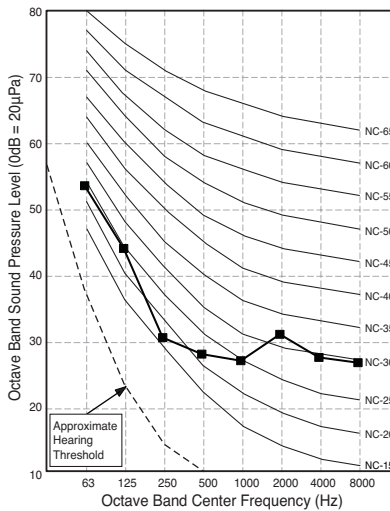
1. Sound measured at 1.5m away from the center of the unit
2. Operating conditionl
 - Power source : 220-240V 50Hz / 220V 60Hz
 - Cooling : Indoor temperature (27°C DB, 19°C WB), Outdoor temperature (35°C DB, 24°C WB)
 - Heating : Indoor temperature (20°C DB, 15°C WB), Outdoor temperature (7°C DB, 6°C WB)
3. Reference accoustic pressure 0dB = 20μPa
4. Sound level will vary depending on a range of factors such as the construction(acoustic absorption coefficient) of particular room in which the equipment in installed.

Operation Mode	dB(A)
Cooling	39.1
Heating	36.9
Changeover : Cooling → Heating	45.6
Changeover : Heating → Cooling	45.8

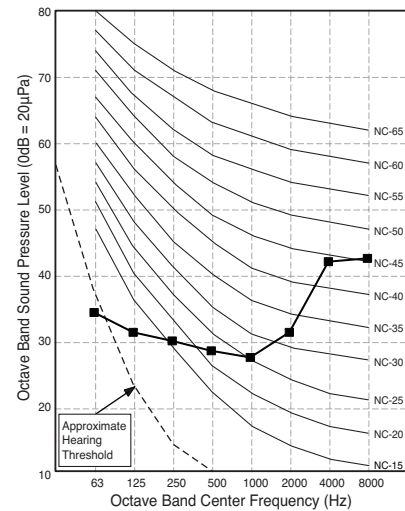
Cooling



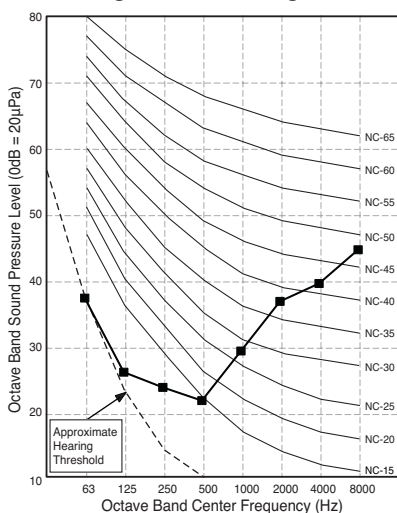
Heating



Changeover : Cooling→Heating



Changeover : Heating→Cooling

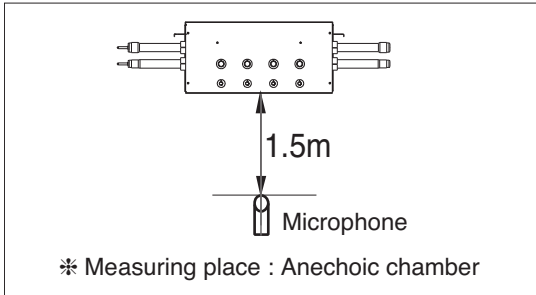


Heat Recovery

6. Sound Levels

6.1 Sound Pressure Levels

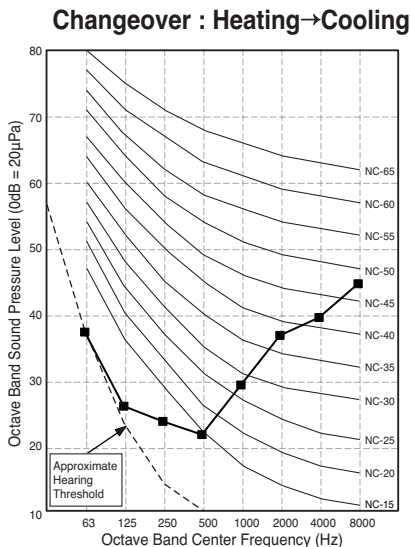
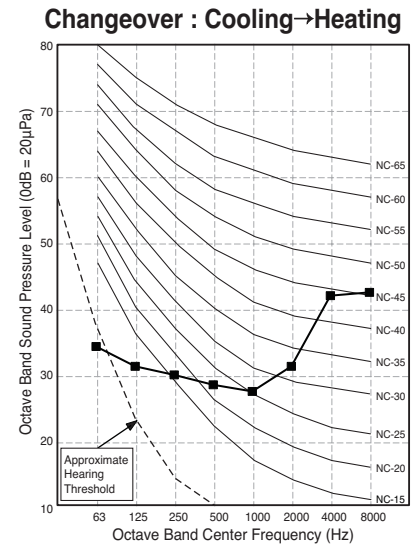
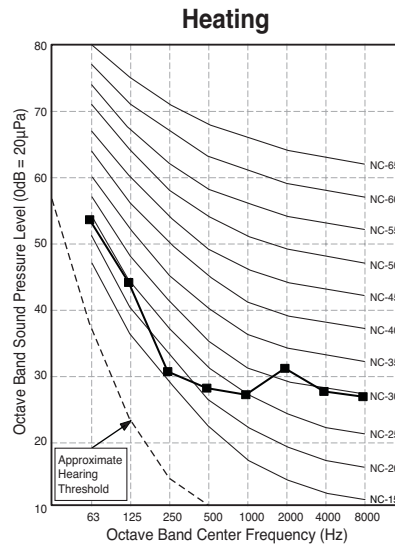
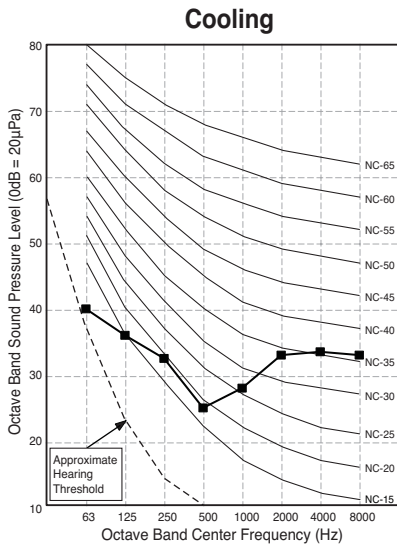
Overall



Notes:

1. Sound measured at 1.5m away from the center of the unit
2. Operating conditionl
 - Power source : 220-240V 50Hz / 220V 60Hz
 - Cooling : Indoor temperature (27°C DB, 19°C WB), Outdoor temperature (35°C DB, 24°C WB)
 - Heating : Indoor temperature (20°C DB, 15°C WB), Outdoor temperature (7°C DB, 6°C WB)
3. Reference accoustic pressure 0dB = 20μPa
4. Sound level will vary depending on a range of factors such as the construction(acoustic absorption coefficient) of particular room in which the equipment in installed.

Operation Mode	dB(A)
Cooling	39.1
Heating	36.9
Changeover : Cooling → Heating	45.6
Changeover : Heating → Cooling	45.8





P/No.: MFL67474010



Air Conditioner

20 Yeouido-dong, Yeongdeungpo-gu,
Yeouido P.O.Box 335 Seoul,
150-721, Korea.
<http://www.lgeaircon.com>

All rights reserved

Printed in Korea November / 2016
The specifications, designs, and
information in this brochure are subject to
change without notice.

The air conditioners manufactured by LG have received ISO9001 certificate for
quality assurance and ISO14001 certificate for environmental management system.