

## SOLENOID VALVE

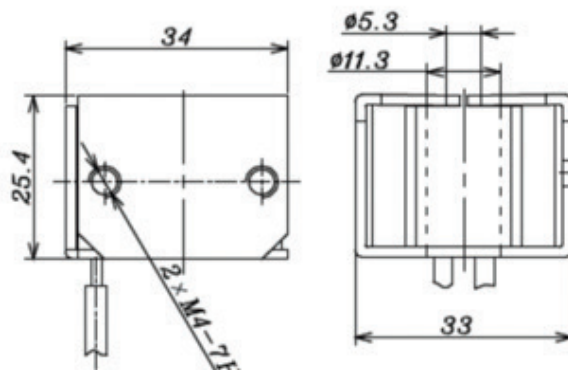


## Bobinas para válvulas solenoides

## TECHNICAL PARAMETERS OF COIL

| Model Coil                                 | Rated voltage [V] | Power [W]              | Voltage Tolerance | Insulation Class | Wiring type | Cable length, [mm] | Part Number |
|--|-------------------|------------------------|-------------------|------------------|-------------|--------------------|-------------|
| FQ-A05 024-000709                          | AC 24             | 5 (50Hz)<br>4,5 (60Hz) |                   |                  |             | 1800               | 10800072302 |
| <b>Código:994251</b><br>FQ-A05 120-001098  | AC 120            | 5 (50Hz)<br>4,5 (60Hz) | +10%<br>-15%      | B                | Lead Wires  | 800                | 10800062002 |
| <b>Código :994250</b><br>FQ-A05 22G-001022 | AC 220-240        | 5 (50Hz)<br>4,5 (60Hz) |                   |                  |             | 600                | 10800057302 |

## DIMENSIONS - COIL



For complete product family information please visit us at [www.sanhuaeurope.com](http://www.sanhuaeurope.com) and download the full range of datasheet at TECHNICAL INFORMATION LINK.