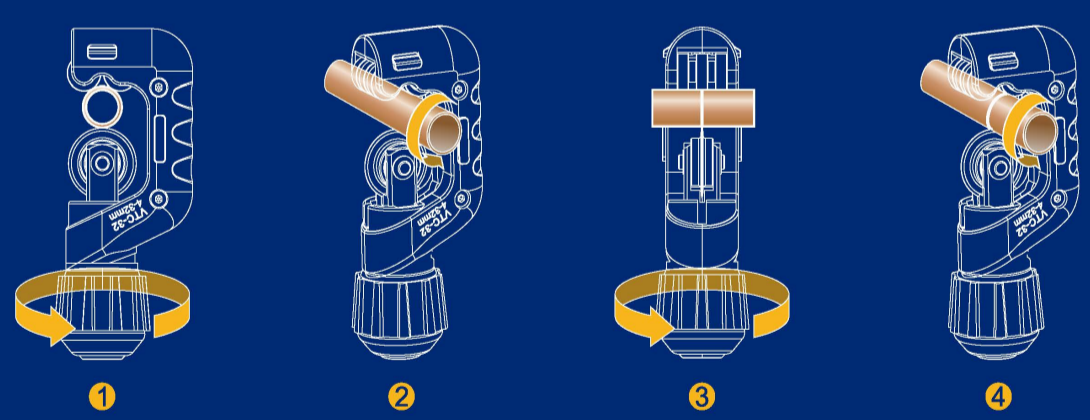


Making Your Job More Enjoyable

# Tube Cutter



## Easy to Cut

**High-Quality Cutting Blade**

- Sharp and durable

**Ball Bearing**

- Easy cutting and better quality

**Aluminum Alloy**

- Light weight, easy to carry and use

Cod Ansal:  
940710

Cod Ansal:  
940718

Cod Ansal:  
940719

Model	VTC-19	VTC-32	VTC-35	VTC-42	VTC-70
Tube O.D.	1/8"~3/4" 3~19 mm	1/8"~1-1/4" 4~32 mm	1/8"~1-3/8" 4~35 mm	1/4"~1-5/8" 6~42 mm	1/4"~2-5/8" 6~67 mm