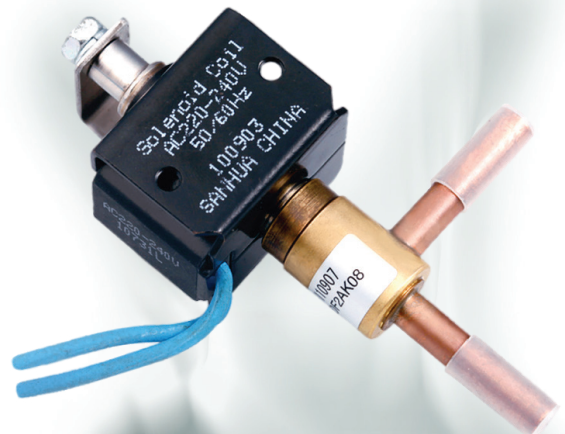




Solenoid Valve

FDF2AK series solenoid valves are direct operated, normally open solenoid valves, mainly used in refrigerant control of various devices such as refrigerating and freezing systems, air conditioners and heat pumps.



FEATURES

- COMPACT DESIGN
- LOW ENERGY CONSUMPTION
- EXCELLENT OPERATION PERFORMANCE

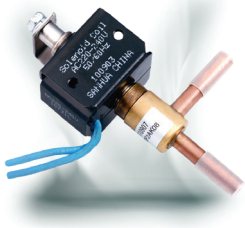
GENERAL SPECIFICATIONS

- Applicable for all common HCFC and HFC refrigerants such as: R22, R134a, R404A, R407C, R410A, R507A ...
- Medium temperature TS min./max.: -30°C / 120°C
- Ambient temperature: -30°C / +50°C
- Relative humidity: 0 to 95% RH
- Installation position:
 - Liquid, suction and discharge line
 - Coil upwards, coil axis $\pm 15^\circ$ tolerance versus vertical axis
 - Flow direction corresponds to the arrow
- Declaration according to LVD or PED

TECHNICAL PARAMETERS OF VALVE BODY

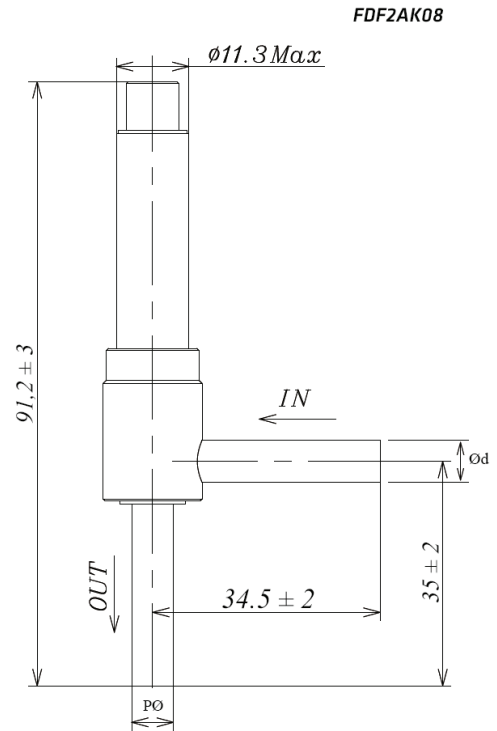
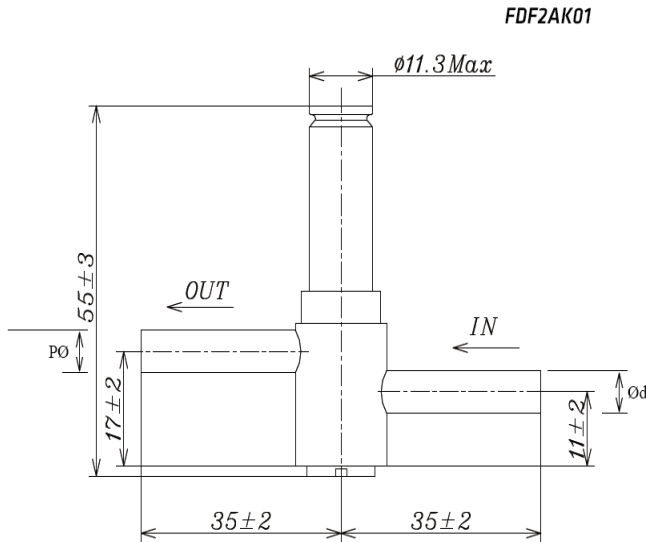
| Valve Body Model | Part Number | Normal Position | Actuation | Ø Seat [mm] | Kv [m ³ /h] | MOP [MPa] | Max. OPD [MPa] | Min. OPD [MPa] | Connection OD Ød | |
|------------------|-------------|-----------------|-----------|-------------|------------------------|-----------|----------------|----------------|------------------|--------|
| | | | | | | | | | [mm] | [inch] |
| FDF 2AK 01 | FDF-06009 | NO | Direct | 1,8 | 0,05 | 4,5 | 1,5 | 0 | 6,35 ±0,1 | 1/4 |
| FDF 2AK 08 | FDF-06010 | | | 1,9 | 0,08 | | | | | |





SANHUA FDF2AK (NO) SERIES Solenoid Valve

DIMENSIONS - VALVE BODY



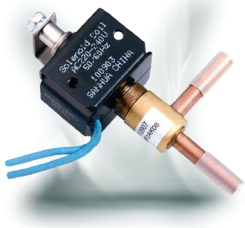
TECNHICAL PARAMETERS OF COIL

| Coil Model | Part Number | Rated Voltage [V] | Supply | Power ³⁾ [W] | Used for | Freq. [Hz] | Voltage Tolerance | Insulation Class | Wiring type |
|------------------|-------------|-------------------|--------|-------------------------|--------------------------|------------|-------------------|------------------|--------------|
| FQ-A05024-000709 | FQA-55001 | 24 | AC | 5 (50Hz) 4,5 (60Hz) | FDF 2AK 01 ¹⁾ | 50/60 | -15% +10% | B | flying leads |
| FQ-A05120-001098 | FQA-55002 | 110 to 120 | | 5 (50Hz) 4,5 (60Hz) | | | | | |
| FQA-0522G-001044 | FQA-55003 | 220 to 240 | | 5 (50Hz) 4,5 (60Hz) | | | | | |
| FQA-0522G-001066 | FQA-55007 | 220 to 240 | | 6,5 (50Hz) 5 (60Hz) | FDF 2AK 08 ²⁾ | | | | |

Note:

- 1) Dimensions: drawing 1
- 2) Dimensions: drawing 2
- 3) Power consumption based on 220V

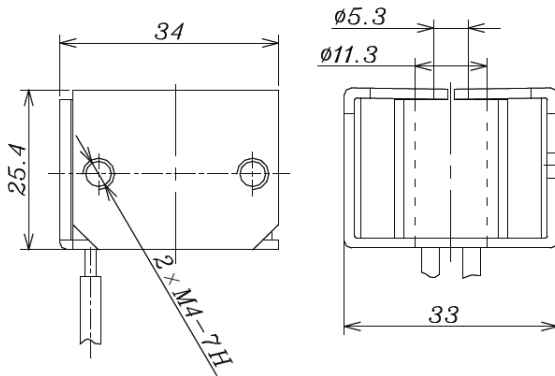




SANHUA FDF2AK (NO) SERIES Solenoid Valve

DIMENSIONS - COIL

Drawing 1: FQA-55001, -55002, -55003



Drawing 2: FQA-55007

