


**PERFORMANCE FOR COMPRESSOR**
**MODEL: QD110YV**
**1PH, 50Hz, 220-240V**
**1、 APPLICATION**

COOLING TYPE	ST
REFRIGERATION CONTROL	CAPILLARY
APPROVAL	CCC、CE、CB
VOLTAGE RANGE	220~240V
REFRIGERANT	R600a

**2、 RATED PERFORMANCE AND TEST CONDITIONS**

COOLING CAPACITY	180.0(W)
INPUT POWER	110.0 (W)
RATED CURRENT	0.55(A)
EFFICIENCY COP	1.64(W/W)
ASHRAE TEST CONDITION	LBP
TEST POWER SOURCE	220V~50Hz 1PH
EVAPORATING TEMP	-23.3℃
CONDENSING TEMP	54.4℃
SUNCTION TEMP	32.2℃
SUBCOOLING TEMP	32.2℃
AMBIENT TEMP	32.2℃



## PERFORMANCE FOR COMPRESSOR

MODEL: QD110YV

1PH, 50Hz, 220-240V

### 3、 MAIN STRUCTURE

COMPRESSOR TYPE	HERMTIC MOTOR-COMPRESSOR
PUMP TYPE	RECIPROCATING TYPE
OIL TYPE	L-DRB/A10
OIL CHARGE	180ml
PAINTING	BLACK PAINT,BAKED
NET WEIGHT	7.5Kg
ID OF SUCTION TUBE	Ø6.2±0.1
ID OF DISCHARGE TUBE	Ø5.1±0.1
ID OF PROCESS TUBE	Ø6.2±0.1
RESIDUAL IMPURITIES	80mg MAX
RESIDUAL MOISTURE	100mg MAX

### 4、 MOTOR

STARTING TYPE	RSCR(PTC)
VOLTAGE RANGE	187~242V
INSULATION GRADE	E GRADE
LOCKED ROTOR CURRENT	5.0A

## PERFORMANCE FOR COMPRESSOR

MODEL: QD110YV

1PH, 50Hz, 220-240V

### 5. ELECTRICAL COMPONENTS

THERMAL PROTECTOR	
TYPE	QD110YV
TRIP TEMP	125±5°C
RESET TEMP	61±9°C
U.T.C 75°C	1.4A
TURN-OFF CURRENT 25°C	5.0A
TRIP TIME	7-14sec
STARTING RELAY	
TYPE	QP2-15
RESISTANCE	15 ± 5%Ω
RESET TIME	80sec MAX
RUNNING CAPACITOR	
TYPE	CBB65A
CAPACITY VALUE 25°C	4uF ± 5%
STARTING CAPACITOR	
TYPE	/
CAPACITY VALUE 25°C	/



www.ansal.com.ar

www.ansal.com.ar



Otamendi 530 - Buenos Aires - Argentina

Tel 4958-2884 ansal@ansal.com.ar

www.ansal.com.ar

# LIST OF COMPRESSOR & ACCESSORIES

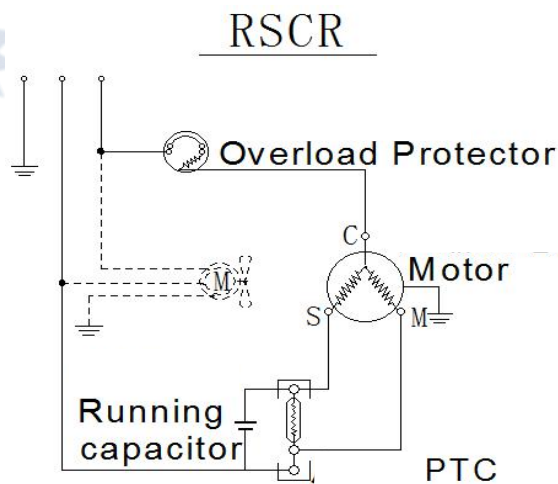
MODEL: QD110YV

1PH, 50Hz, 220-240V

## 6. ACCESSORIES LIST

NAME	DTSCRIPTION	QTY
THERMAL PROTECTOR	QD110YV	1
STARTING RELAY	QP2-15	1
RUNNING CAPACITOR	CBB65A 4uF	1
STARTING CAPACITOR	/	/
ELECTRICAL COVER		1
COVER CLAMP		/
RUBBER GROMMET		4
BUSHING		4

## 7. ELECTRICAL WIRING DIAGRAM

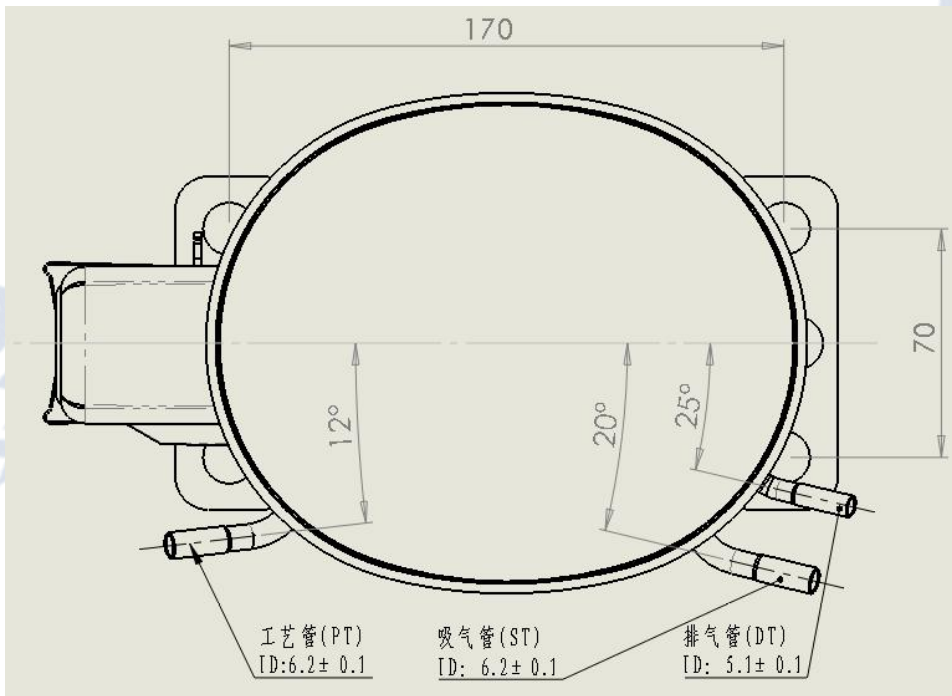
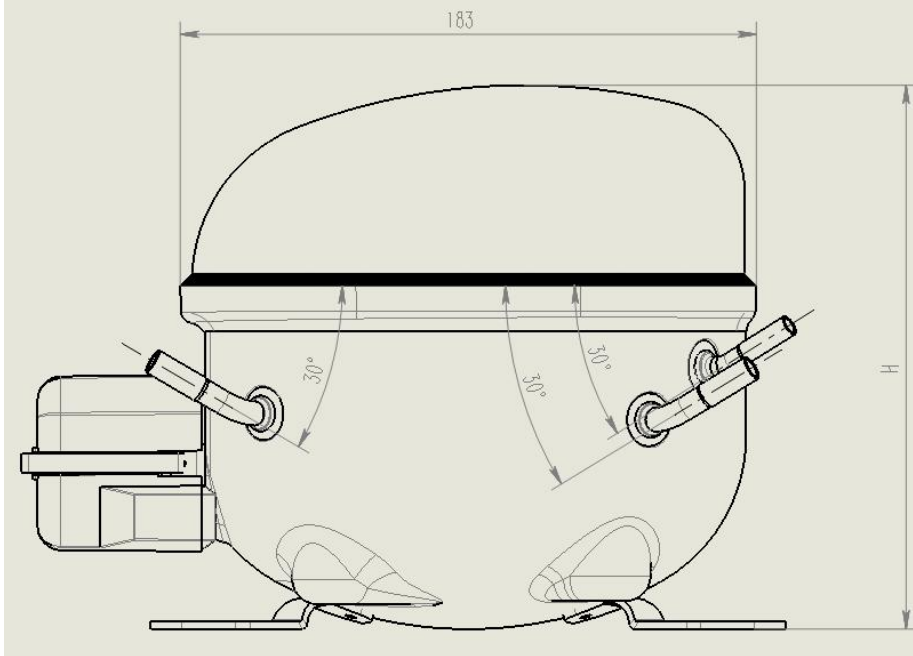


# DIMENSIONS FOR COMPRESSOR

MODEL: QD110YV

1PH, 50Hz, 220-240V

## 8、 DIMENSIONS FOR COMPRESSOR:



Height value of compressor:  $H=181 \pm 2\text{mm}$ .

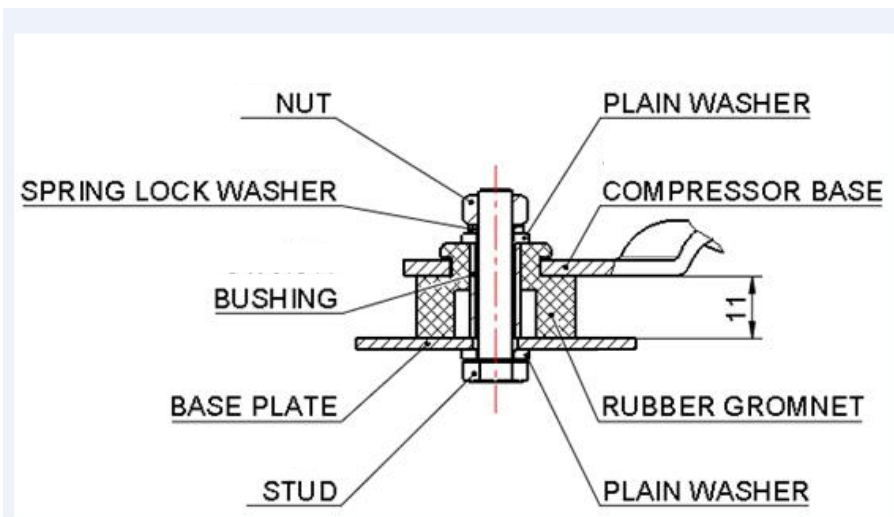


# MOUNTING DIAGRAM FOR COMPRESSOR

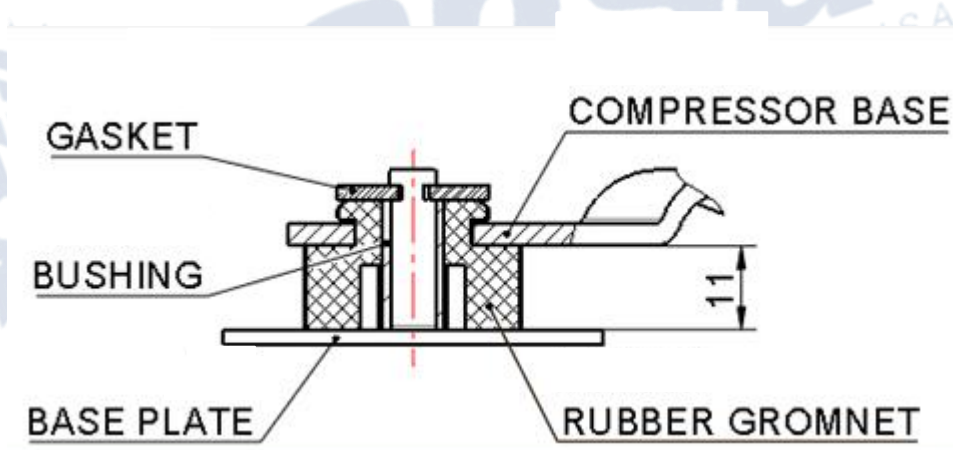
MODEL: QD110YV

1PH, 50Hz, 220-240V

## 9. MOUNTING DIAGRAM FOR COMPRESSOR



MOUNTING TYPE:(1)



MOUNTING TYPE:(2)

## TRANSPORTATION FOR COMPRESSOR

MODEL: QD110YV

1PH, 50Hz, 220-240V

### 10. TRANSPORTATION FOR COMPRESSOR

Packing type	Disposable
Transport	Train, bus, vessel
Stacking layers	not more than two layers
Model	QD110YV
Moving	Keep the compressor normal and vertical status



www.ansal.com.ar



www.ansal.com.ar



Otamendi 530 - Buenos Aires - Argentina

Tel 4958-2884 [ansal@ansal.com.ar](mailto:ansal@ansal.com.ar)

[www.ansal.com.ar](http://www.ansal.com.ar)