



Modelo: AE4440Z-FZ1A (AE4440Z-FZ)
MARCA : Tecumseh
SOLICITUD : CBP, HBP
VOLTAJE : 220-240V 1PH 50Hz
REFRIGERANTE : R-404A
TECNOLOGÍA DEL PRODUCTO : Recíproco
MODELO GLOBAL : AE4440Z-FZ1A
Serie Compresor alternativo

ESPECIFICACIÓN DEL PRODUCTO

APROBACIÓN DE LA AGENCIA

Agencia: CCC, CE, GOST, GOST_UKR, TIS, VDE

GENERAL

Caballo de fuerza: 1/3 HP

Par motor: High Start Torque (HST)

Rango de evaporación: -15°C to 15°C (5°F to 59°F)

MECÁNICO

Desplazamiento (CC): 6.69

Enfriamiento del compresor: Ventilador

Cargo de aceite: 285 cc

Tipo de aceite: Poliolester

Viscosidad: 32

ELÉCTRICO

LRA: 16

Tipo de motor: CSIR

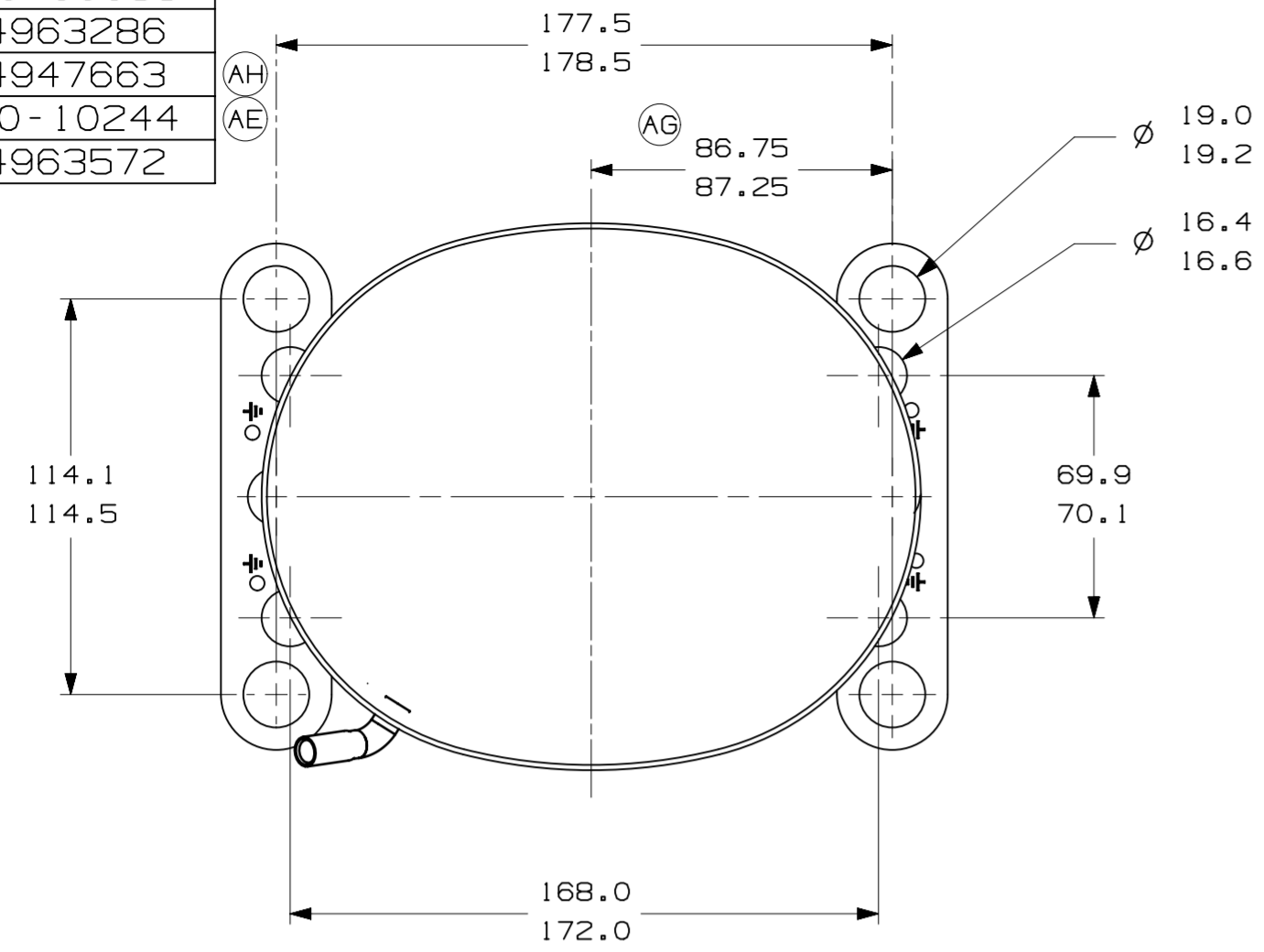
Arranque de la resistencia del motor: 18

MOTOR RESIS MAIN: 6.79

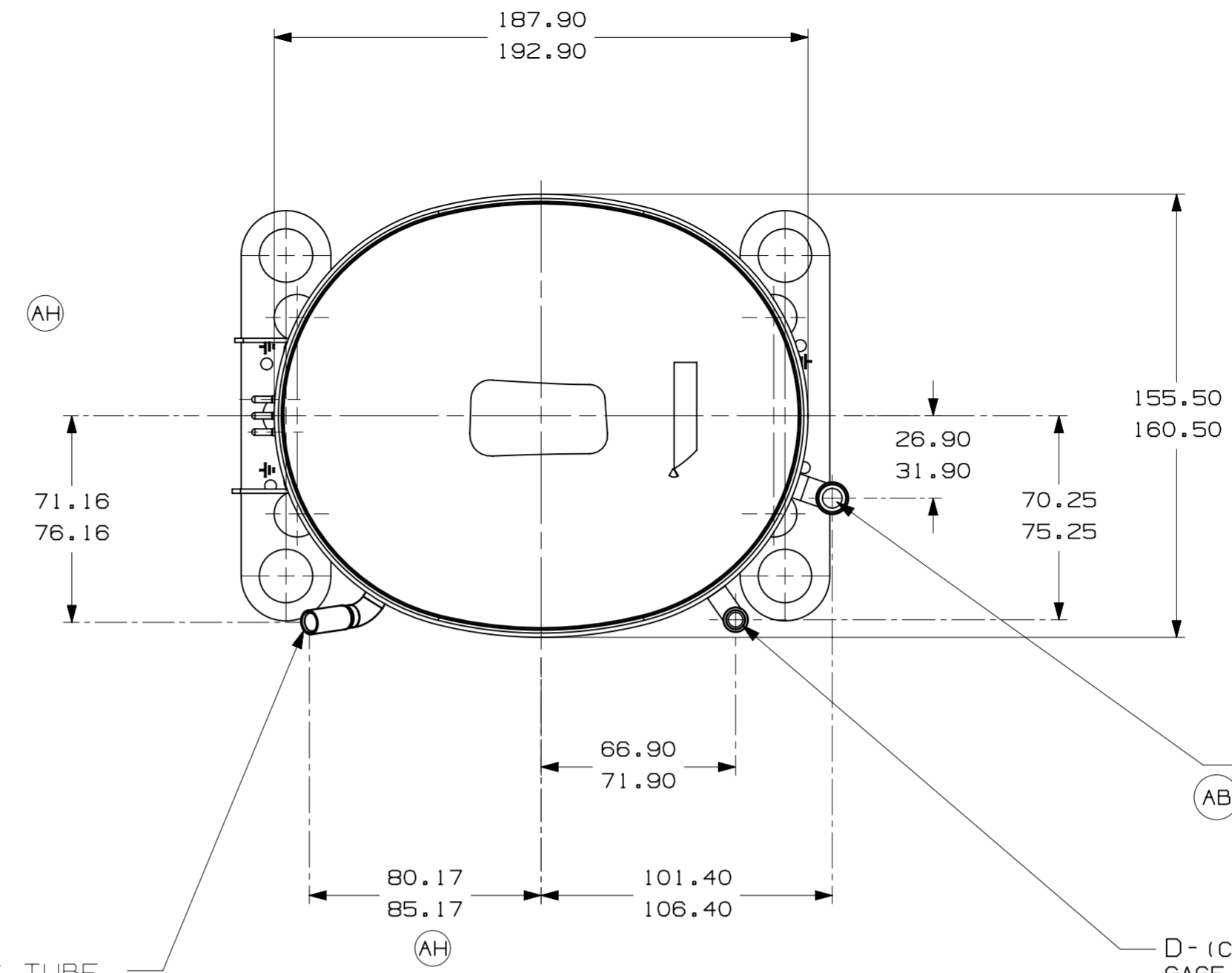
Rango de voltaje 50Hz: 198to253

RLA 50HZ: 2.74

ITEM	PART NUMBER
A	320-10156
B	14963286
C	14947663
D	580-10244
E	14963572



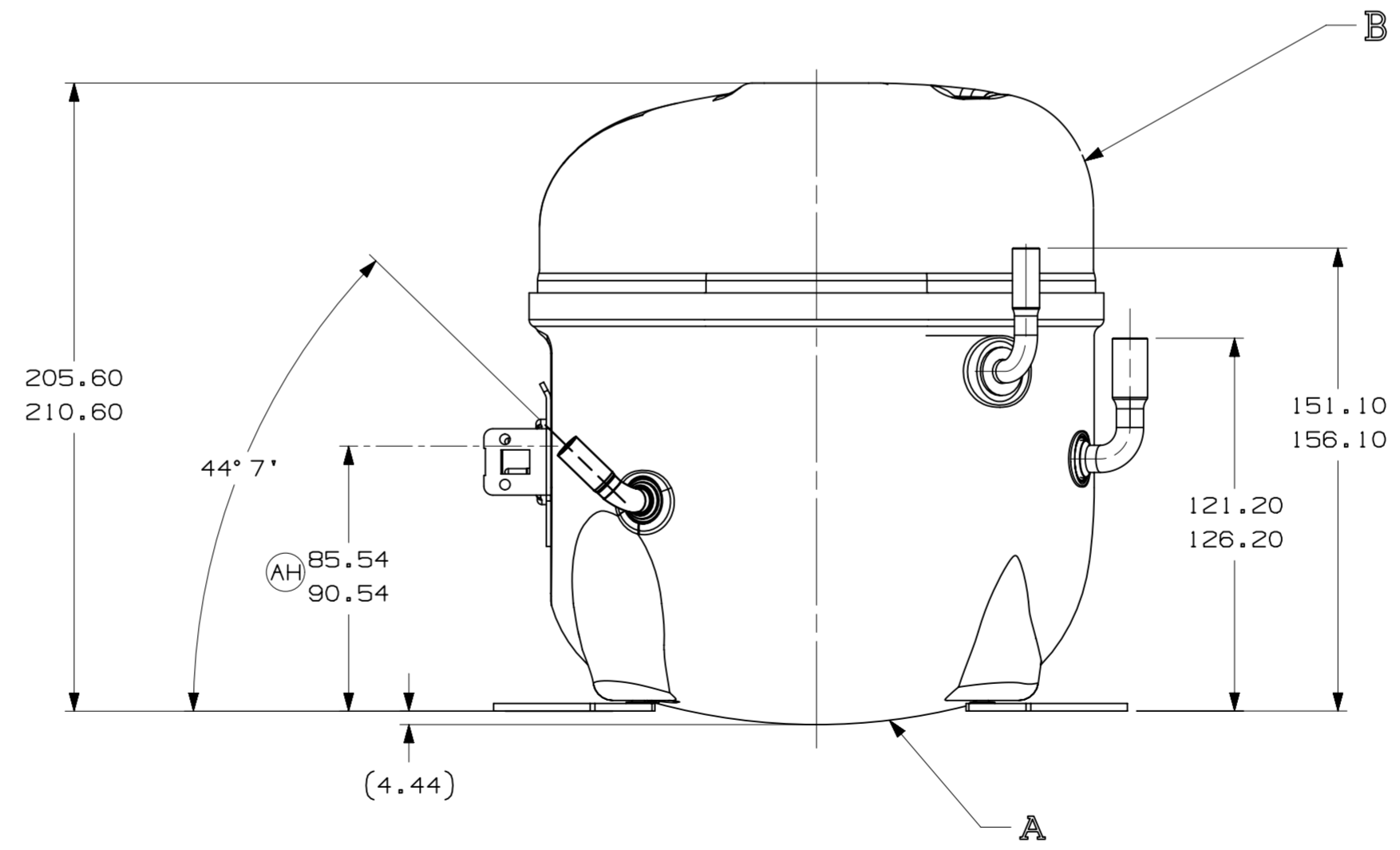
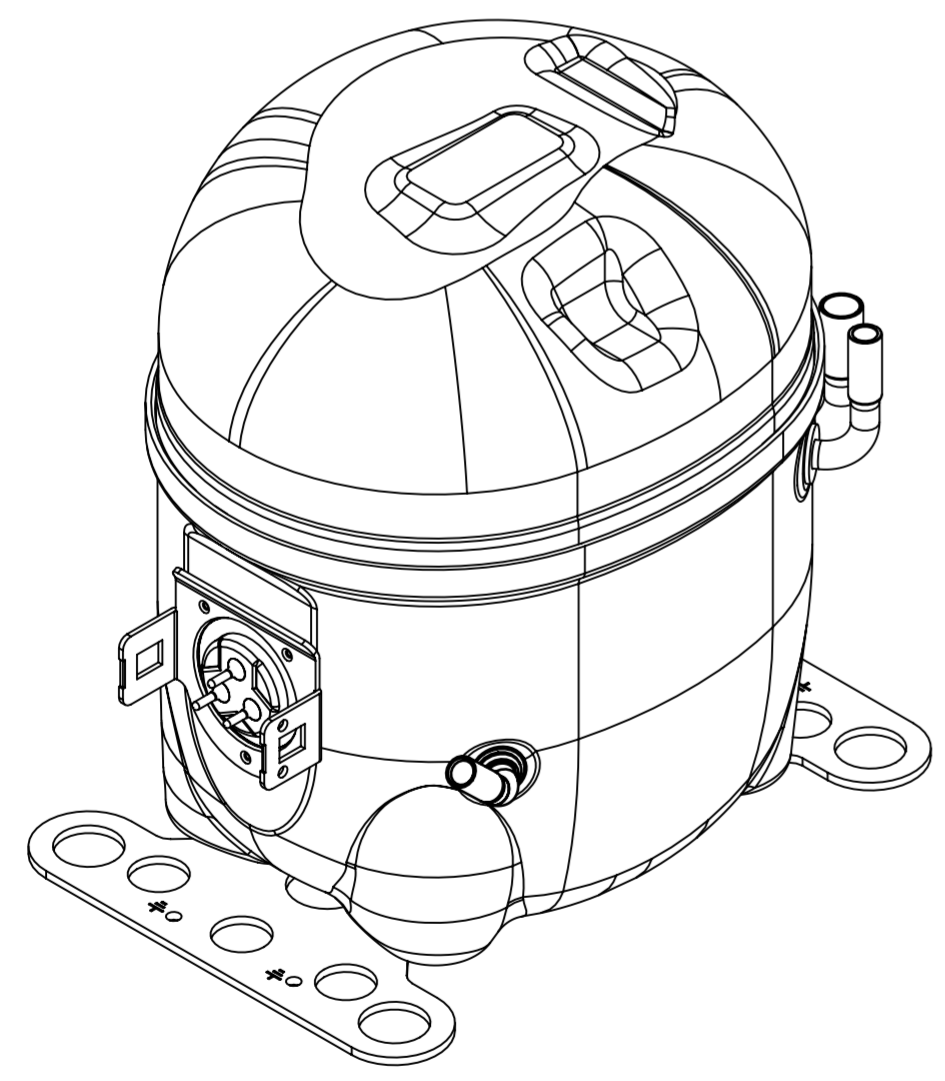
- AUXILIARY VIEW -
FASTENING DIMENSIONS



C - (COPPER) PROCESS TUBE
GAGE I.D. TO 6.45-6.55
× 15.00-17.00 DEEP.

E - (COPPER) SUCTION TUBE
GAGE I.D. TO 9.6-9.7
× 15.00-17.00 DEEP.

D - (COPPER) DISCHARGE TUBE
GAGE I.D. TO 6.45-6.55
× 13.00-15.00 DEEP.



- NOTES:
- 1- IF SPECIFIED IN BM. ASSEMBLE PARTS AS SHOWN.
 - 2- SEE SPEC. "A-B" & A-C FOR PROCESS.
 - 3- THERE CAN BE NO CREASES IN THE TUBES. (CREASES ARE SIGNS OR MARKS THAT ARE IN SOMETHING THAT BENDS)
 - 4- AFTER THE FOLDS IN THE TUBES, CANNOT BE ACCELERATED TO AREA EXCEEDING 30%.
 - 5- TUBES OF SUCTION, DISCHARGE AND PROCESS MUST BE FREE OF INK ON 15.8mm (5/8") FROM TOP OF THE TUBES AS SPEC. T.P.Co. A-B4.
 - 6- FOR SUPPLIER ENVIRONMENTAL REGULATORY REQUIREMENTS, SEE TECUMSEH GLOBAL SPEC. 08.

REV	DATE	BY	CHKD	DESCRIPTION
B5	ERA 91.60-96.60			
D4	ERA 86.60-91.60			
E5	ERA 72.10-77.10			
F8	ERA 14963573			
A/2	ALTERA MEDIDA F77 E ACRES. NOTA 6			
AG	88.75-89.25			
AF	RETIRADO DETALHE (AREA ISENTA DE PINTURA)			
F/B	ALTERADO TUBO D ERA: 14963519			
A/2	ADDED NOTE			
A/2	REVISADA NOTAS 3 E 4			
A/2	ACRESCENTADA NOTAS 3 E 4			
D2	CORRIGIDO Ø INT. TUBO SUCCAO ERA: Ø 8.00-8.10			
AA	LIBERACAO			

THIRD ANGLE PROJECTION

UNITS: mm

DRAWING SIZE: A2

0. A SYMBOLS AS PROCEDURE 2.01.031 TECUMSEH OF BRAZIL

NAME: SALES COMPRESSOR

PART NO.: DCAE199

SCALE: 1:2

PAGE: 1/1

DATE: 22/09/11

REF.

FAMILY: AE2