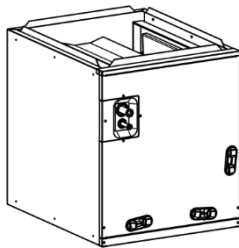
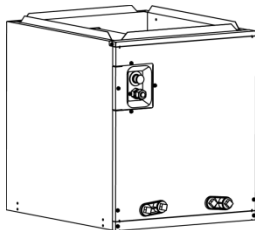


**M/T CPM, M/T CUV,
Cased, painted upflow/downflow,
Uncased, upflow/downflow,
Cased, painted multi-position**

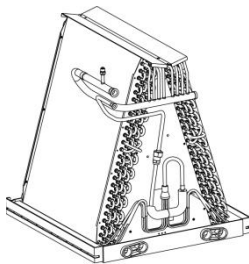
Cased A coil, multi-position:



Cased A coil, upflow/downflow:



Uncased A coil:



Notes: Appearance of unit may vary.

Features

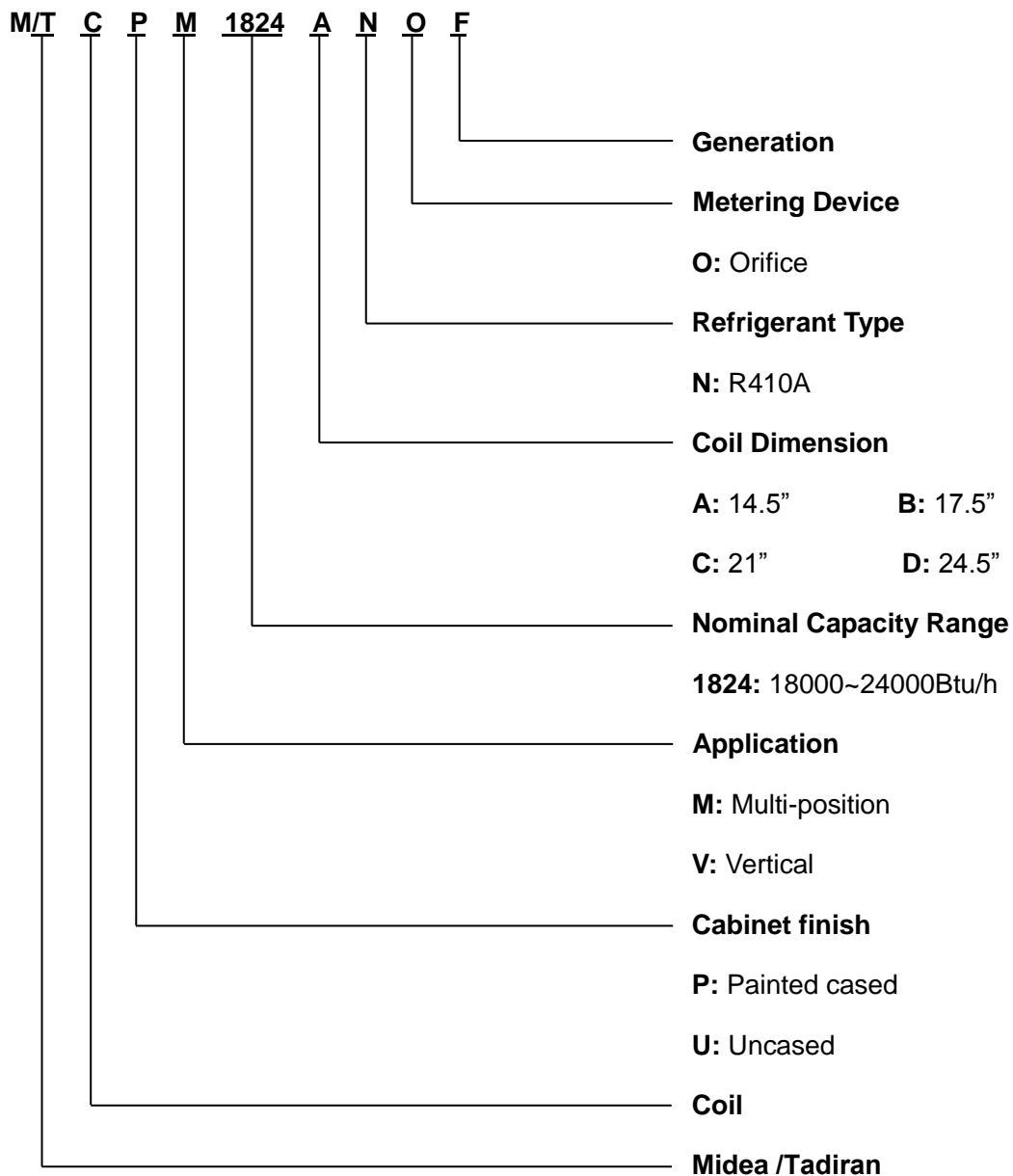
- All-aluminum tubes and fins:
With aluminum fins and high efficiency coils, not only benefit from its durability, corrosion and rust protection, but also easy installation and longevity.
- Painted and insulated cabinet:
Cabinet is painted to prevent rust and corrosion significantly, also thermally insulated with foil faced insulation to prevent sweating. (Cased coil only)
- Widely match:
Cased and uncased coils match Midea unitary products. It can flexibly fits your requirement.
- Easy maintenance:
You can charge and empty refrigerant quickly and easily with external service port.
- Formicary corrosion free.
- AHRI certified and UL listed.

NOMENCLATURE	1
PRODUCT SPECIFICATIONS	2
DIMENSIONS	4
AIRFLOW PERFORMANCE	6
ACCESSORIES	8



NOMENCLATURE

NOMENCLATURE



PRODUCT SPECIFICATIONS

PRODUCT SPECIFICATIONS – Cased, upflow/downflow

Model Number	Nominal Tons	Connection (inch)		Piston Size	Ship Weight (lbs.)
		Liquid	Suction		
TCPM2430ANOF	1.5-2.5	3/8	3/4	0.052	47
TCPM2430BNOF	1.5-2.5	3/8	3/4	0.052	50
TCPM3036ANOD	3	3/8	3/4	0.07	47
TCPM3036BNOD	3	3/8	3/4	0.07	50
TCPM3036CNOD	3	3/8	3/4	0.07	55
TCPM4248BNOD	3.5-4.5	3/8	7/8	0.075	61
TCPM4248BNOF	3.5-4.5	3/8	7/8	0.07	71
TCPM4248CNOD	3.5-4.5	3/8	7/8	0.075	65
TCPM4248CNOF	3.5-4.5	3/8	7/8	0.07	76
TCPM4248DNOD	3.5-4.5	3/8	7/8	0.075	68
TCPM4248DNOF	3.5-4.5	3/8	7/8	0.075	80
TCPM4860CNOF	5	3/8	7/8	0.075	85
TCPM4860DNOF	5	3/8	7/8	0.075	89

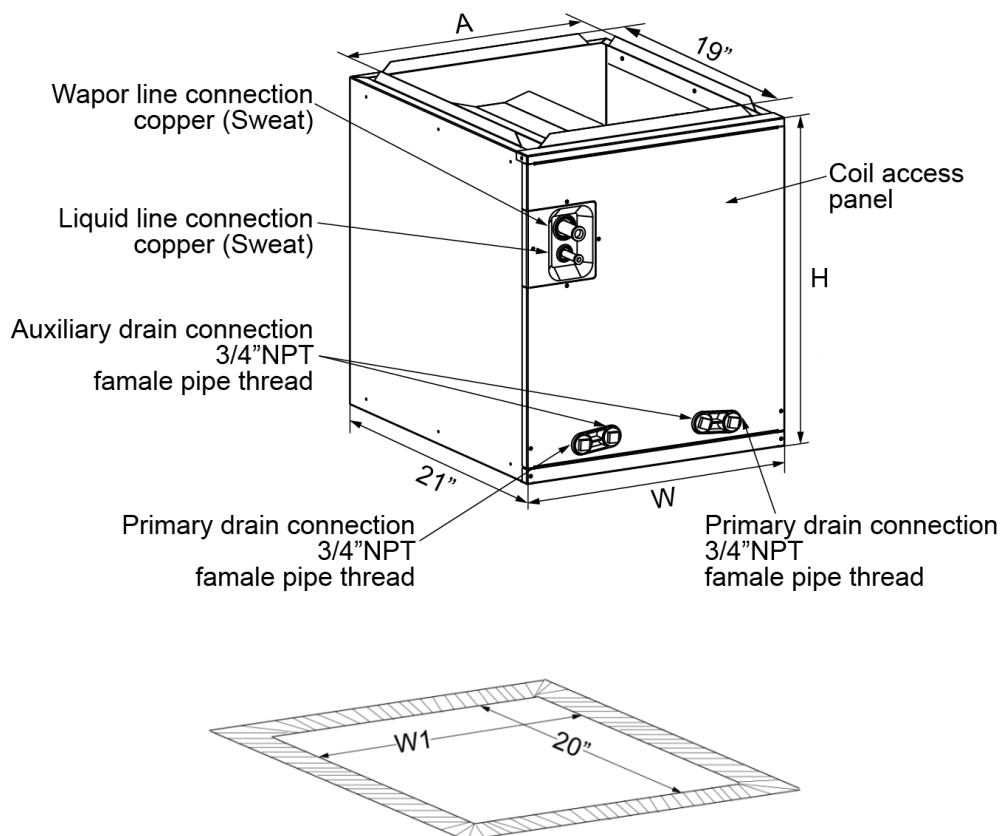
PRODUCT SPECIFICATIONS

PRODUCT SPECIFICATIONS – Cased, multi-position

Model Number	Nominal Tons	Connection (inch)		Piston Size	Ship Weight (lbs.)
		Liquid	Suction		
TCPM2430ANOF	1.5-2.5	3/8	3/4	0.052	51.4
TCPM2430BNOF	1.5-2.5	3/8	3/4	0.052	54.5
TCPM3036ANOD	3	3/8	3/4	0.07	51.4
TCPM3036BNOD	3	3/8	3/4	0.07	54.5
TCPM3036CNOD	3	3/8	3/4	0.07	59.3
TCPM4248BNOD	3.5-4.5	3/8	7/8	0.075	65.9
TCPM4248BNOF	3.5-4.5	3/8	7/8	0.07	76.5
TCPM4248CNOD	3.5-4.5	3/8	7/8	0.075	69.7
TCPM4248CNOF	3.5-4.5	3/8	7/8	0.07	81.6
TCPM4248DNOD	3.5-4.5	3/8	7/8	0.075	73.6
TCPM4248DNOF	3.5-4.5	3/8	7/8	0.075	86.0
TCPM4860CNOF	5	3/8	7/8	0.075	91.3
TCPM4860DNOF	5	3/8	7/8	0.075	95.2

DIMENSIONS

DIMENSIONS – Coils cased, upflow/downflow

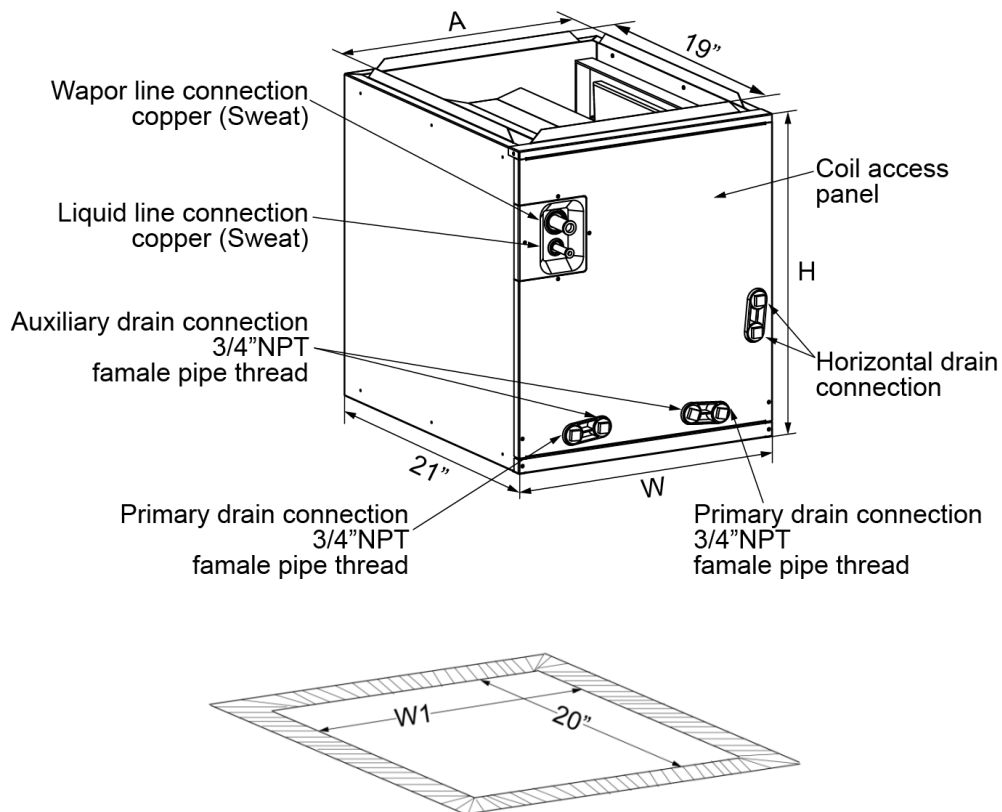


(Units: inch)

Model Number	W	W1	H	A
TCPM2430ANOF	14-1/2	13-1/2	20	13
TCPM2430BNOF	17-1/2	16-1/2	20	16
TCPM3036ANOD	14-1/2	13-1/2	20	13
TCPM3036BNOD	17-1/2	16-1/2	20	16
TCPM3036CNOD	21	20	20	19-1/2
TCPM4248BNOD	17-1/2	16-1/2	26	16
TCPM4248BNOF	17-1/2	16-1/2	30	16
TCPM4248CNOD	21	20	26	19-1/2
TCPM4248CNOF	21	20	30	19-1/2
TCPM4248DNOD	24-1/2	23-1/2	26	23
TCPM4248DNOF	24-1/2	23-1/2	30	23
TCPM4860CNOF	21	20	30	19-1/2
TCPM4860DNOF	24-1/2	23-1/2	30	23

DIMENSIONS

DIMENSIONS – Coils, cased, multi-position



(Units: inch)

Model Number	W	W1	H	A
TCPM2430ANOF	14-1/2	13-1/2	20	13
TCPM2430BNOF	17-1/2	16-1/2	20	16
TCPM3036ANOD	14-1/2	13-1/2	20	13
TCPM3036BNOD	17-1/2	16-1/2	20	16
TCPM3036CNOD	21	20	20	19-1/2
TCPM4248BNOD	17-1/2	16-1/2	26	16
TCPM4248BNOF	17-1/2	16-1/2	30	16
TCPM4248CNOD	21	20	26	19-1/2
TCPM4248CNOF	21	20	30	19-1/2
TCPM4248DNOD	24-1/2	23-1/2	26	23
TCPM4248DNOF	24-1/2	23-1/2	30	23
TCPM4860CNOF	21	20	30	19-1/2
TCPM4860DNOF	24-1/2	23-1/2	30	23

AIRFLOW PERFORMANCE

AIRFLOW PERFORMANCE – Coils cased, upflow/downflow

Pressure drop characteristics for cooling and heat pump coils								
Airflow volume (CFM)								
Model number	0.05 IN.WC	0.1 IN.WC	0.15 IN.WC	0.2 IN.WC	0.25 IN.WC	0.3 IN.WC	0.35 IN.WC	0.4 IN.WC (1)
TCPM2430ANOF	373	541	677	789	895	984	1,068	1,148
TCPM2430BNOF	412	625	789	926	1,054	1,166	1,275	1,375
TCPM3036ANOD	373	541	677	789	895	984	1,068	1,148
TCPM3036BNOD	412	625	789	926	1,054	1,166	1,275	1,375
TCPM3036CNOD	438	679	874	1,035	1,183	1,320	1,455	1,568
TCPM4248BNOD	420	655	823	968	1,095	1,220	1,336	1,441
TCPM4248BNOF	412	607	770	919	1,063	1,210	1,368	1,542
TCPM4248CNOD	492	759	956	1,110	1,274	1,428	1,551	1,678
TCPM4248CNOF	550	788	978	1,142	1,290	1,428	1,558	1,682
TCPM4248DNOD	510	776	985	1,165	1,328	1,480	1,622	1,758
TCPM4248DNOF	610	876	1,085	1,265	1,428	1,580	1,722	1,858
TCPM4860CNOF	450	658	830	988	1,138	1,286	1,434	1,593
TCPM4860DNOF	524	754	948	1,125	1,291	1,453	1,615	1,785

Notes:

(1) Data based on wet coil with entering air at 80°F DB / 67°F WB without air filter.

AIRFLOW PERFORMANCE

AIRFLOW PERFORMANCE – Coils cased, multi-position

Pressure drop characteristics for cooling and heat pump coils								
Airflow volume (CFM)								
Model number	0.05 IN.WC	0.1 IN.WC	0.15 IN.WC	0.2 IN.WC	0.25 IN.WC	0.3 IN.WC	0.35 IN.WC	0.4 IN.WC (1)
TCPM2430ANOF	373	541	677	789	895	984	1,068	1,148
TCPM2430BNOF	412	625	789	926	1,054	1,166	1,275	1,375
TCPM3036ANOD	373	541	677	789	895	984	1,068	1,148
TCPM3036BNOD	412	625	789	926	1,054	1,166	1,275	1,375
TCPM3036CNOD	438	679	874	1,035	1,183	1,320	1,455	1,568
TCPM4248BNOD	420	655	823	968	1,095	1,220	1,336	1,441
TCPM4248BNOF	412	607	770	919	1,063	1,210	1,368	1,542
TCPM4248CNOD	492	759	956	1,110	1,274	1,428	1,551	1,678
TCPM4248CNOF	550	788	978	1,142	1,290	1,428	1,558	1,682
TCPM4248DNOD	510	776	985	1,165	1,328	1,480	1,622	1,758
TCPM4248DNOF	610	876	1,085	1,265	1,428	1,580	1,722	1,858
TCPM4860CNOF	450	658	830	988	1,138	1,286	1,434	1,593
TCPM4860DNOF	524	754	948	1,125	1,291	1,453	1,615	1,785

Notes:

(1) Data based on wet coil with entering air at 80°F DB / 67°F WB without air filter.

ACCESSORIES

ACCESSORIES

TXV kits:

Midea Part No.	Midea Model No.	Danfoss Model No.	Application	Outdoor unit tonnage
15500213000060	TR6-3TONB	067U3508	AC or HP	1.5~2.5 Ton
15500213000110	TR6-4TON	067U3506	AC or HP	3~3.5 Ton
15500213000074	TR6-5TON	067U3509	AC or HP	4 Ton
15500213000066	TR6-6TON	067U3507	AC or HP	5 Ton

Notes: These TXV kits are optional.

Tadiran (Argentina) es Garantizado y Distribuido por Ansal Refrigeración SA

Otamendi 530 - C1405BRH-Ciudad de Buenos Aires - Argentina

www.ansal.com.ar

Tadiran owns the rights to change the data without notice for product improvement.
